



Wireless Security Solutions



RE208 Hardwire-to-Honeywell® Wireless Translator™

Features

- Converts hardwire zones into Honeywell-compatible wireless signals.
- 8 Hardwire loops with end-of-line resistor detection.
- Unique wireless ID for each zone, plus 1 for main device.
- Transmit diversity for long reliable range.
- PIR powering (via external supply).
- 3 year operation on batteries (contacts only).
- Complete supervision of zone tamperers and low battery.

Key Instructions

- Use with normally closed contacts in-line with 4.7 K-ohms end-of-line resistors.
- Not for use with life safety devices, such as Smoke or CO sensors.
- External supply requirements (wall-AC): 12V DC at least 50 mA.
- PIR & Glassbreak (powered devices) usage:
 - 4-wire devices only. Not for use with 2-wire powered devices.
 - 2 AA back-up batteries will drive contacts only, and cannot drive a PIR.
 - Under external supply failure, the PIR/Glass would likely alarm.
 - If using PIR/Glass, we recommend using 12V DC, 24-hour back-up supply.
 - If using old panel 12V DC supply, verify operation and old battery.
- Enrolling:
 - Hardwire zones (labeled “Loops” on the circuit board terminals):
 - Hardwire zones are enrolled into Honeywell system using the RF Learning tripping enrollment mode.
 - Input Type: 3 (Supervised RF), Loop: 2
 - When prompted, open/close each zone twice (fault/restore/fault/restore) to enroll the serial number.
 - Translator itself. Trouble supervision of the Translator itself is recommended; Assign the Translator to a zone for sending check-in supervisories, cover tamper and low battery.
 - Zone Type: 8 (24 hour Aux) - When cover opened: “fault” when system not armed, “alarm” when armed.
 - Input Type: 3 (Supervised RF), Loop: 4
 - When prompted, toggle the tamper switch to enroll the serial number.

Operation

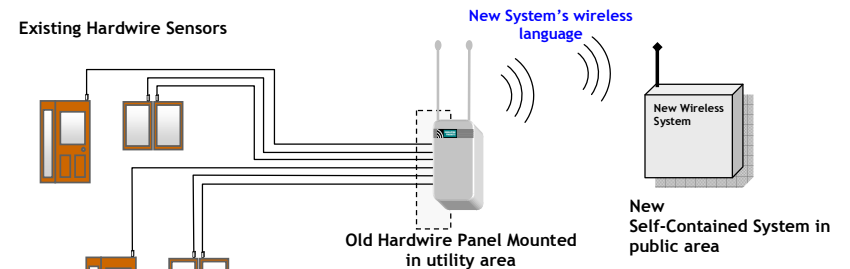
- 8 Hardwire 4.7K-ohm Zones - transmit 8 unique wireless IDs: Alarm on open circuit. Tamper on short circuit. Supervisories, every hour for each zone.

RE208_Hardwire_to_Honeywell-Compat_Translator.doc
Page 1 of 4 5/25/2011

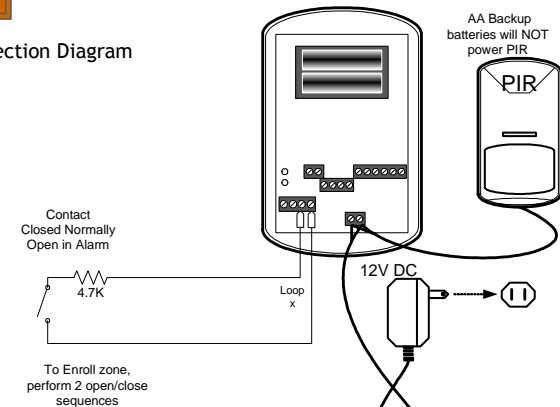
www.ResolutionProducts.com

- Translator Main Zone wireless transmission (9th unique ID):
Tamper, when cover opened.
Low battery, when either low AA batteries, OR loss of 12V DC external. Supervisory every hour.
- How ID's work: If the Translator Main Zone is XXX-YYY0, then the Zone 1's ID is XXX-YYY1, and Zone 2's ID is XXX-YYY2, etc.
- LED Operation
Green LED: On if AC power present.
Red LED: When 12V DC is present: “Blinks” on transmit to panel; “on” if device tamper or device low battery.

Application Diagram



Connection Diagram



RE208_Hardwire_to_Honeywell-Compat_Translator.doc
Page 2 of 4 5/25/2011

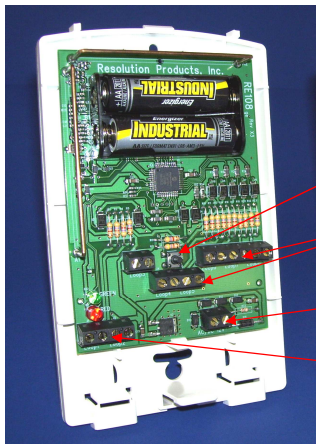
www.ResolutionProducts.com

Specifications

Honeywell Loop:	Loop 2 for zones 1-8, Loop 4 for Translator tamper.
Transmitter Type:	Talks to SAW receivers.
Zone sensing duration:	State sensed if held more than 600ms.
End-of-line Resistors:	4.7k-ohm, 5%.
Max wire run:	1000 feet.
Backup batteries:	Two AA Alkaline.
External supply:	12V DC, at least 50mA.
Current draw with supply:	4mA, normal operation.
PIR usage:	PIR may need tight voltage tolerance. Add PIR and device current requirements together to get total current need.
Power Fail Conditions:	Reports as low battery on main device.
Device Low Battery Conditions:	Low battery, or loss of 12V external power.
Back-up Battery Life on AC Fail:	3 years, all zones terminated in 4.7K; longer if unused/open. Backup batteries will not power PIR. PIR may alarm on power loss.
Housing dimensions:	4x6x1 inches

Specifications subject to change without notice.

Internal Picture



Tamper / Enroll Switch

Terminals for Zones 3-8

Power Terminals

Terminals for Zones 1, 2

Notices

“GE”, “Honeywell”, and “DSC” are trademarks owned by General Electric Company, Honeywell International Inc., and Tyco Safety Products Canada LTD, respectively.

Resolution Products, Inc. products will function with one of either GE, DSC or Honeywell systems. However, no Resolution product is produced by, endorsed by, nor is officially associated with GE, Honeywell or DSC. Resolution recommends verifying proper enrollment and operation, per control panel installation instructions, at installation.

Warranty

Resolution Products, Inc. will replace products that are defective in their first year.

FCC Notice

This device complies with Part 15 of the FCC rules. Operation is subject to the following two conditions:

This device may not cause harmful interference.

This device must accept any interference that may be received, including interference that may cause undesired operation.

Changes or modifications not expressly approved by the Resolution Products, Inc. could void the user's authority to operate this equipment.

FCC ID: U5X-RE208

IC Notice

This device complies with Industry Canada license-exempt RSS standard(s). Operation is subject to the following two conditions:

1. This device may not cause interference, and
2. This device must accept any interference, including interference that may cause undesired operation of the device.

Cet appareil est conforme avec d'Industrie Canada RSS standard exempts de licence. Son fonctionnement est soumis aux deux conditions suivantes:

1. Ce dispositif ne peut causer des interférences, et
2. Ce dispositif doit accepter toute interférence, y compris les interférences qui peuvent causer un mauvais fonctionnement du dispositif.

IC: 8310A-RE208