

POOL
MODELS: 5350 THRU 8350 HEAT PUMP

CATALOG NO. RM9100.75
Effective: 10-01-14
Replaces: 02-27-14

RHEEM ILLUSTRATED PARTS LIST

MODEL SIZE: 5350, 6350 & 8350

MODEL TYPE: HEAT PUMP POOL HEATER

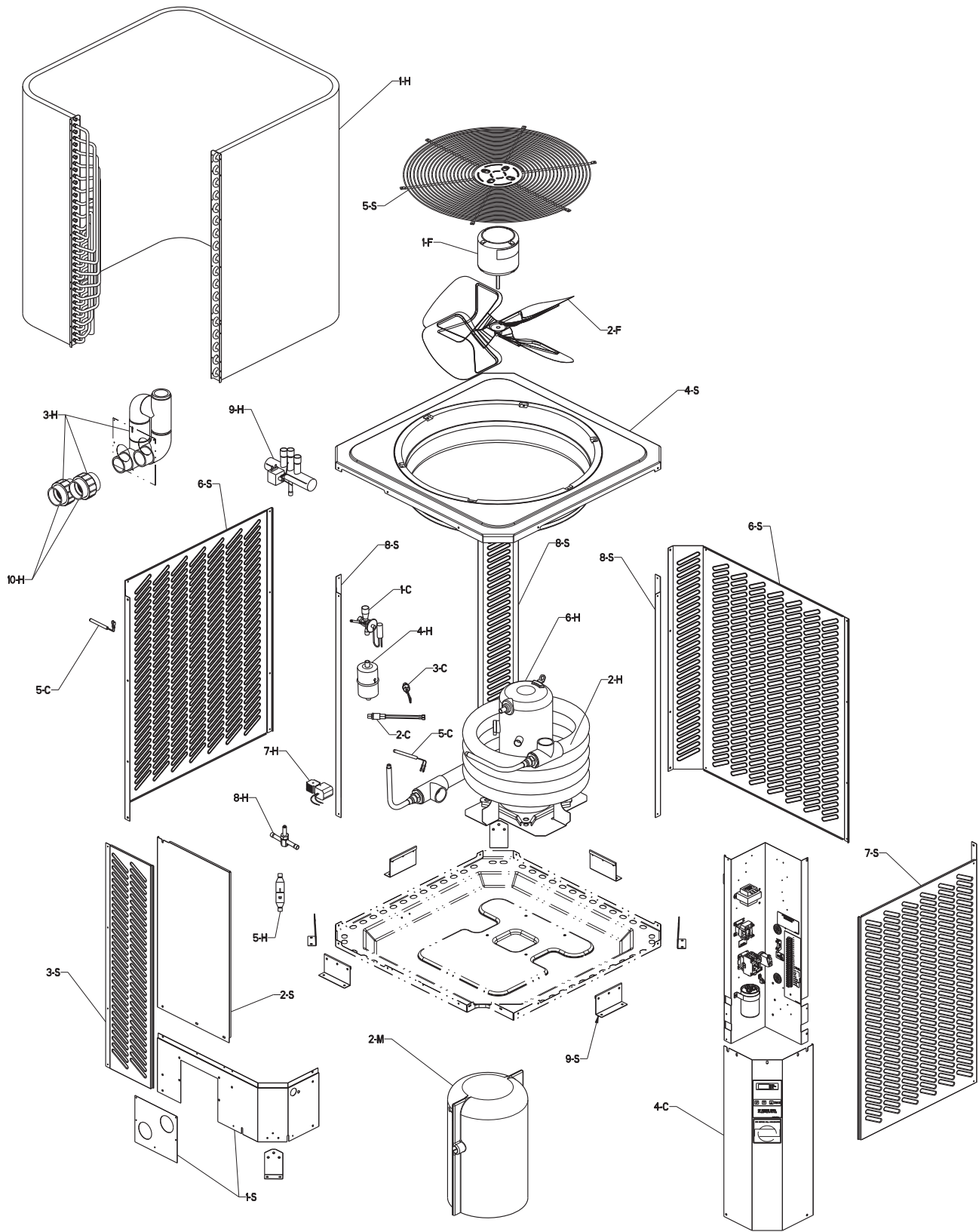
DATES OF MANUFACTURE: 11-1-09 THRU CURRENT
11-1-09 THRU 8-31-12 - RUUD PRODUCTS
2-1-14 THRU CURRENT - QT MODELS 5350-6350

THE PARTS LISTED ARE FOR STANDARD EQUIPMENT FOR THIS MODEL TYPE. RHEEM RESERVES THE RIGHT TO SUBSTITUTE, DELETE OR CHANGE ANY PART WITHOUT NOTIFICATION. THE ADDITION OF OPTIONS MAY ALSO CHANGE SOME OF THE PARTS. ORDER REPLACEMENT PARTS FROM ACTUAL HEATER COMPONENTS.

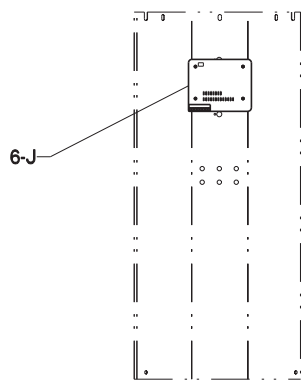
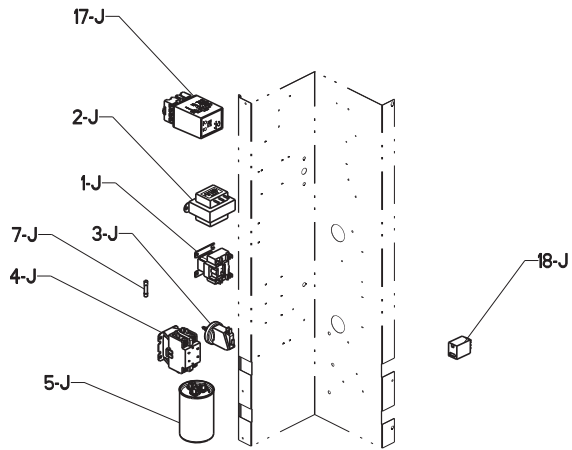


FOR DETAILED INSTRUCTIONS, SEE "HOW TO USE YOUR ILLUSTRATED PARTS LIST",
CATALOG NO. 9001.10

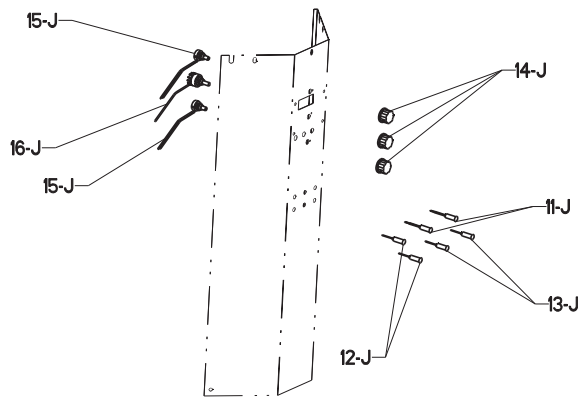
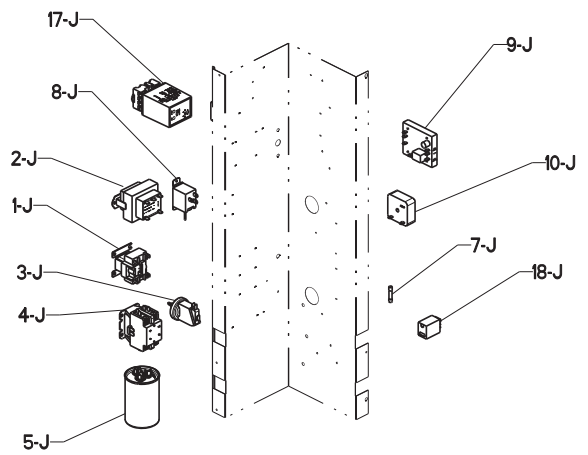




CALLOUT	DESCRIPTION	RHEEM			RUUD		
		M5350	M6350	M8350	D5350	D6350	D8350
C	CONTROLS						
1-C	TX Valve						
	Heat	H000076	H000173	H000077	H000076	H000173	H000077
	Heat/Cool		H000076	H000173		H000076	H000173
	Power Defrost		H000173			H000173	
2-C	Low Pressure Switch	H000078	H000078	H000078	H000078	H000078	H000078
3-C	High Pressure Switch	H000079	H000079	H000079	H000079	H000079	H000079
4-C	Control Cover Digital (Shown)						
	Green	H000095	H000095	H000095	H000097	H000097	H000097
	Warm Dark Gray	H000222	H000222	H000222	H000222	H000222	H000222
	Stainless Steel	H000224	H000224	H000224			
	Control Cover Analog						
	Green	H000096	H000096	H000096	H000098	H000098	H000098
	Warm Dark Gray	H000225	H000225	H000225	H000225	H000225	H000225
5-C	Temperature Sensor	H000002	H000002	H000002	H000002	H000002	H000002
H	HEAT TRANSFER						
1-H	Evaporator Coil	H000016	H000018	H000020	H000016	H000018	H000020
2-H	Heat Exchanger	H000022	H000022	H000024	H000022	H000022	H000024
3-H	Bypass Assembly	H000042	H000042	H000042	H000042	H000042	H000042
10-H	PVC Union	H000247	H000247	H000247	H000247	H000247	H000247
	PVC Union with Built-In Drain	H000317	H000317	H000317			
4-H	Liquid Line Drier						
	Heat	H000011	H000011	H000011	H000011	H000011	H000011
	Heat/Cool (Bi-flow)		H000004	H000004		H000004	H000004
5-H	Check Valve			H000006			H000006
6-H	Compressor						
	1 PH	H000010	H000012	H000014	H000010	H000012	H000014
	3 PH		H000171	H000110		H000171	H000110
	3 PH 460V			H000109			H000109
11-H	Compressor Power Plug (Not Shown)	H000271	H000271	H000271	H000271	H000271	H000271
7-H	Solenoid Coil						
	Power Defrost		H000107			H000107	
8-H	Solenoid Valve						
	Power Defrost		H000108			H000108	
9-H	Reversing Valve						
	Heat/Cool		H000136	H000136		H000136	H000136
F	FAN						
1-F	Fan Motor (825 RPM)	H000296	H000296	H000296			
	Fan Motor (825 RPM) w/Heat Sink (Heat/Cool)		H000298	H000298			
	Fan Motor (1065 RPM)						
	1PH/3PH 230V	H000084	H000084	H000084	H000084	H000084	H000084
	3PH 460V			H000115			H000115
2-F	Fan Blade (4-Blade)	H000297	H000297	H000297			
	Fan Blade (3-Blade) (Not Shown)						
	1PH/3PH 230V	H000044	H000044	H000044	H000044	H000044	H000044
	3PH 460V			H000116			H000116



DIGITAL



ANALOG

CALLOUT	DESCRIPTION	RHEEM			RUUD		
		M5350	M6350	M8350	D5350	D6350	D8350
J	CONTROL BOX						
1-J	Fan Relay SPST (Units manufactured prior to 4/1/13) DPST (Units manufactured From 4/1/13)	H000017 H000299	H000017 H000299	H000017 H000299	H000017	H000017	H000017
2-J	Transformer Digital Digital 3 PH Analog Analog 3 PH Analog 3 PH 460V	H000021 H000023	H000021 H000023	H000021 H000021 H000023 H000023 H000112	H000021 H000023	H000021 H000023	H000021 H000021 H000023 H000023 H000112
3-J	Water Pressure Switch	H000025	H000025	H000025	H000025	H000025	H000025
4-J	Contactora 1 PH 3 PH	H000043	H000043 H000114	H000043 H000114	H000043	H000043 H000114	H000043 H000114
5-J	Capacitor 1 PH (Units manufactured prior to 4/1/13) (Units manufactured From 4/1/13) 3 PH (Units manufactured prior to 4/1/13) (Units manufactured From 4/1/13) 3 PH 460V (Units manufactured prior to 4/1/13) (Units manufactured From 4/1/13)	H000080 H000127	H000080 H000127	H000081 H000051 H000117 H000265	H000080	H000080 H000117	H000081 H000117
6-J	Control Board	H000029	H000029	H000029	H000029	H000029	H000029
7-J	Fuse	H000001	H000001	H000001	H000001	H000001	H000001
8-J	Defrost Control Switch	H000065	H000065	H000065	H000065	H000065	H000065
9-J	Control Board	H000035	H000035	H000035	H000035	H000035	H000035
10-J	Delay on Break Timer	H000019	H000019	H000019	H000019	H000019	H000019
11-J	Green LED	H000037	H000037	H000037	H000037	H000037	H000037
12-J	Amber LED	H000039	H000039	H000039	H000039	H000039	H000039
13-J	Red LED	H000041	H000041	H000041	H000041	H000041	H000041
14-J	Knob	H000008	H000008	H000008	H000008	H000008	H000008
15-J	Potentiometer	H000061	H000061	H000061	H000061	H000061	H000061
16-J	Rotary Switch	H000057	H000057	H000057	H000057	H000057	H000057
17-J	Monitor Line Voltage 1 PH 3 Phase	H000291	H000291 H000111	H000291 H000111		H000111	H000111
18-J	Controller Relay		H000003	H000003		H000003	H000003

CALLOUT	DESCRIPTION	RHEEM			RUUD		
		M5350	M6350	M8350	D5350	D6350	D8350
M	MISCELLANEOUS						
1-M	Touch-up Paint						
	Green	750251	750251	750251	750251	750251	750251
	Cool Dark Gray	750256	750256	750256			
	Warm Dark Gray	750258	750258	750258	750258	750258	750258
2-M	Compressor Sound Cover	H000316	H000316				
S	SHEETMETAL						
1-S	Electrical Input Panel						
	Green	H000067	H000075	H000075	H000067	H000075	H000075
	Warm Dark Gray	H000201	H000202	H000202	H000201	H000202	H000202
	Stainless Steel	H000203	H000204	H000204			
2-S	Access Panel						
	Green	H000087	H000087	H000087	H000087	H000087	H000087
	Warm Dark Gray	H000205	H000205	H000205	H000205	H000205	H000205
	Stainless Steel	H000206	H000206	H000206			
3-S	Jacket Side Front						
	Green	H000085	H000086	H000086	H000085	H000086	H000086
	Warm Dark Gray	H000207	H000208	H000208	H000207	H000208	H000208
4-S	Jacket Top						
	Green	H000092	H000092	H000092	H000092	H000092	H000092
	Warm Dark Gray				H000211	H000211	H000211
	Cool Dark Gray	H000212	H000212	H000212			
	Stainless Steel	H000209	H000209	H000209			
5-S	Grille Fan Guard	H000040	H000040	H000040	H000040	H000040	H000040
6-S	Jacket Side Left & Rear						
	Green	H000088	H000089	H000089	H000088	H000089	H000089
	Warm Dark Gray	H000214	H000215	H000215	H000214	H000215	H000215
7-S	Jacket Side Right						
	Green	H000090	H000091	H000091	H000090	H000091	H000091
	Warm Dark Gray	H000218	H000219	H000219	H000218	H000219	H000219
8-S	Corner Jacket Panel						
	Stainless Steel	H000216	H000217	H000217			
9-S	Hurricane Bracket						
	Metal Cabinet Base	H000321	H000321	H000321			
	Plastic Cabinet Base	H000322	H000322				

* NOTE: R-410 A components not compatible with R22 units.

