



The new degree of comfort.™

Rheem *Classic*® Series Package Gas Electric Unit



RGEA13- 13 SEER Series

Nominal Sizes 3-5 Tons [10.6-17.6 kW]
Three-Phase Only

RGEA14- 14 SEER Series

Nominal Sizes 2-5 Tons [7.0-17.6 kW]

RGEA15- 15 SEER Series

Nominal Sizes 2-5 Tons [7.0-17.6 kW]



(14 SEER AND ABOVE)

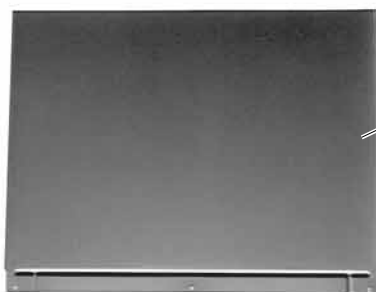
“Proper sizing and installation of equipment is critical to achieve optimal performance. Ask your Contractor for details or visit www.energystar.gov.”

TABLE OF CONTENTS

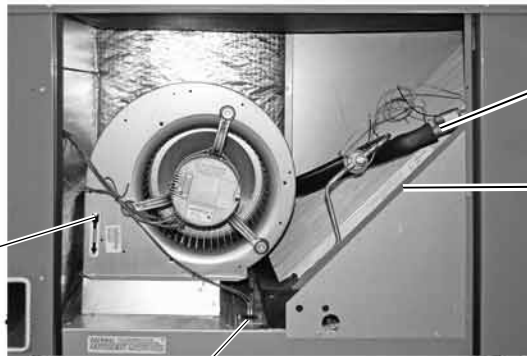
Unit Features & Benefits	3-4
Model Number Identification	5
Options	6
General Data	
RGEA13- Series	7-10
RGEA14- Series	11-20
RGEA15- Series	21-30
General Data Notes	31
Gross Systems Performance Data	
RGEA13- Series	32-35
RGEA14- Series	36-41
RGEA15- Series	42-47
Indoor Airflow Performance	
RGEA13- Series	48-52
RGEA14- Series	48-52
RGEA15- Series	53-59
Electrical Data	
RGEA13- Series	60-61
RGEA14- Series	62-66
RGEA15- Series	67-71
Dimensional Data	72-73
Typical Installations	74
Accessories	75-83
Wiring Diagrams	84-92
Limited Warranty	93



Package Gas Electric Unit Features:



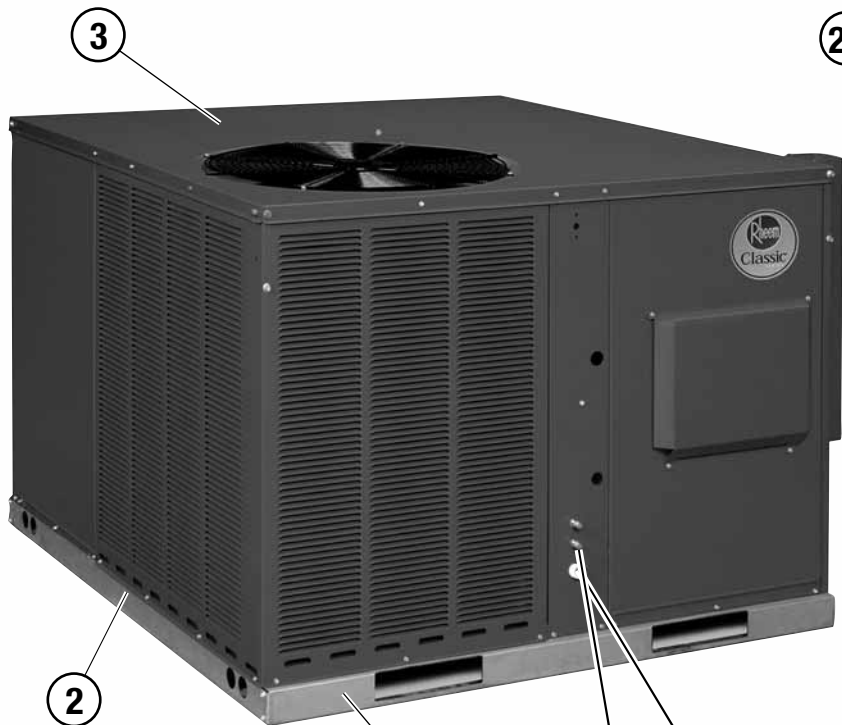
5



7

15

9



3

2



12

13

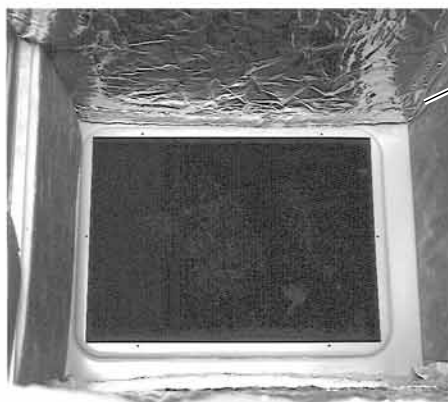


10

8

11

17



4

14



6





RGEA13/14/15 Features Below Correspond to Photos on Page 3

1. All models feature Scroll® compressors for maximum efficiency and quiet operation. 5 Ton RGEA15 models feature UltraTech™ Scroll 2-Stage compressors with Comfort Alert™ diagnostics (see below), high/low pressure switches, and hard start kits.
2. Louvered condenser compartment for protecting the coil against yard hazards and/or weather extremes.
3. One-piece top with a deep flange to help keep water out of the unit.
4. Supply and return air openings feature a one-inch tall flange to prevent water migration into the ductwork.
5. Access panels have “weep holes” and channels to further help manage water run-off.
6. Side and down discharge options available on all models. All models are shipped ready for horizontal application.
7. Easily accessible blower section complete with slide-out blower.
8. Refrigerant connections are conveniently located for easy service diagnostics.
9. Micro Channel evaporator and condenser delivers superior performance with less refrigerant charge and less weight than conventional copper tube/aluminum fin coils. In addition the all aluminum construction has superior protection against formicary corrosion and aluminum tube rubbing potential. Its easier to clean and has a more robust surface.
10. Inside the easily accessible furnace compartment is the draft inducer motor. This motor is specially designed for quiet reliable operation. In addition to the draft inducer motor, the in-shot gas burners and manifold efficiently regulate the flow of gas for combustion. These new gas/electric units also feature direct-spark ignition and remote flame sensors for added reliability and efficiency.
11. All units feature an internal trap on the condensate line eliminating the need for installing an on-site external trap.
12. Easily accessible control box.
13. Single point wiring simplifies installation.
14. Our gas/electric package units feature a tubular heat exchanger design. Tubular heat exchangers are more efficient and durable than older-style clamshell heat exchangers. The heat exchanger is backed by a 10 year limited warranty. Models with a stainless steel heat exchanger installed in a residential application are backed by a limited lifetime warranty.
15. Thermal expansion valve standard on all models for superior superheat control, reliability, and energy efficiency at all operating conditions.
16. Filter drier standard on all models (not shown).
17. Rugged baserail included for improved installation and handling
18. Complete factory charged, wired and run tested.
19. Molded compressor plugs.
20. A double sloped evaporator coil drain pan assures all water is removed from the unit to improve indoor air quality.

Comfort Alert™ Diagnostics – Faster Service And Improved Accuracy (2-Stage Models Only)

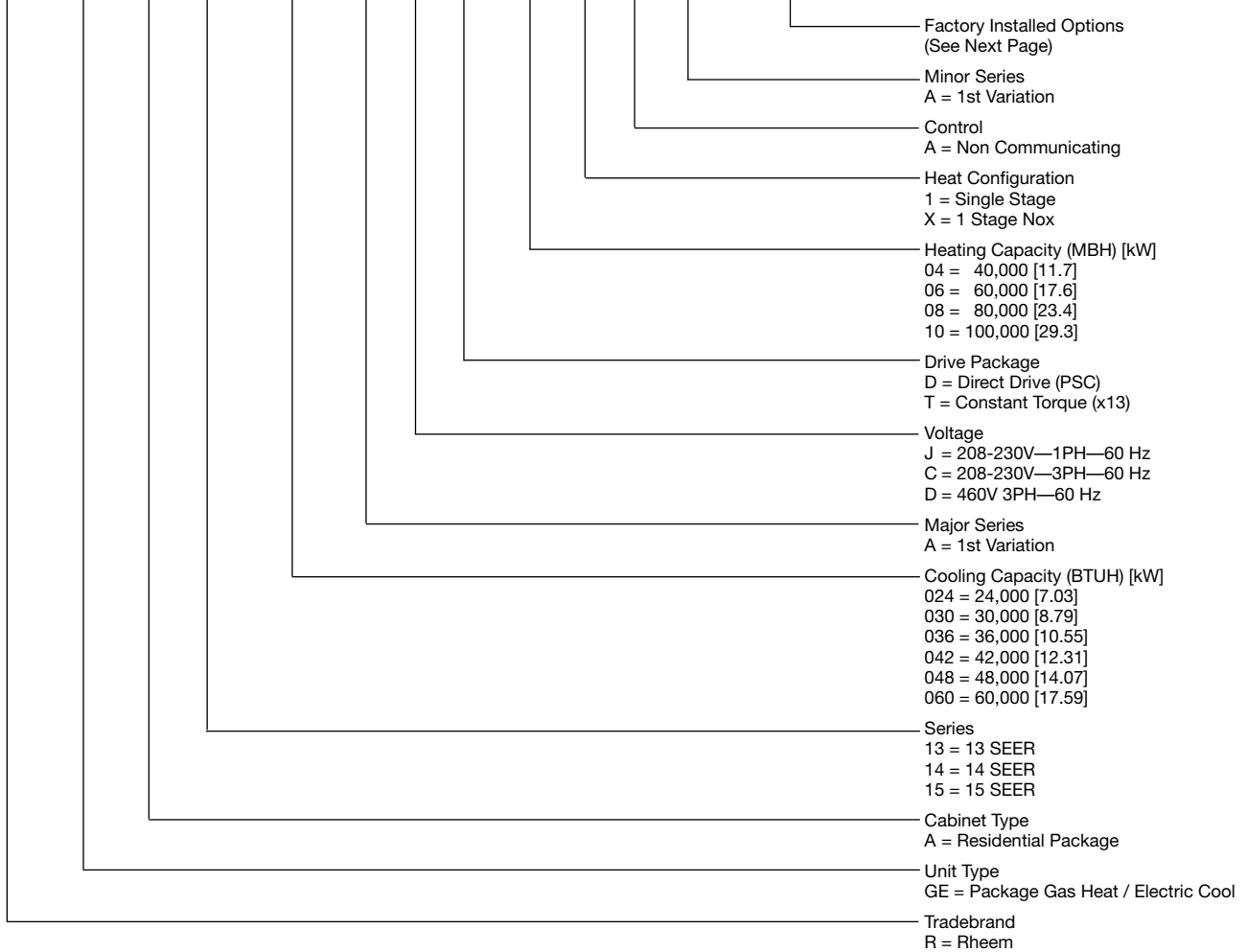
The Comfort Alert™ diagnostics module is a breakthrough innovation for troubleshooting air conditioning system failures. The module is installed in the control box near the compressor contactor. By monitoring and analyzing data from the Scroll® compressor and the thermostat demand, the module can accurately detect the cause of electrical and system related failures without any sensors. A flashing LED indicator communicates the ALERT code and guides the service technician more quickly and accurately to the root cause of a problem.

NOTE: Single phase module does not provide safety protection! The Comfort Alert module is a monitoring device and cannot control or shut down the compressor unless used with a White Rodgers IF95-CA397 Thermostat.

NOTE: Three phase module provides compressor protection and will shut down the compressor when compressor damaging conditions are detected.



R GE A 13 036 A J D 10 1 A A X X X



[] Designates Metric Conversions

Instructions for Factory Installed Option(s) Selection

Note: Three characters following the model number will be utilized to designate a factory-installed option or combination of options. If no factory option(s) is required, nothing follows the model number.

Step 1. After a basic rooftop model is selected, choose a *three-character* option code from the FACTORY INSTALLED OPTION SELECTION TABLE.

FACTORY INSTALLED OPTION CODES

Option Code	Stainless Steel Heat Exchanger	Tin Plated Hairpin Coil
AJA	x	

“x” indicates factory installed option.

Example: No Option

RGEA14036AJD081AA

Example: Option with Stainless Steel Heat Exchanger

RGEA14036AJD081AAAJA

Note: Factory installed economizer is not available on these models.

NOMINAL SIZES 3-5 TONS [10.6-17.6 kW]

Model RGEA13 Series	036ACD061AA	036ACD081AA	036ACD101AA	036ADD061AA
Cooling Performance¹				CONTINUED →
Gross Cooling Capacity Btu [kW]	35,400 [10.37]	35,400 [10.37]	35,400 [10.37]	35,400 [10.37]
EER/SEER ²	11.6/13.5	11.6/13.5	11.6/13.5	11.6/13.5
Nominal CFM/AHRI Rated CFM [L/s]	1200/1200 [566/566]	1200/1200 [566/566]	1200/1200 [566/566]	1200/1200 [566/566]
AHRI Net Cooling Capacity Btu [kW]	34,000 [9.96]	34,000 [9.96]	34,000 [9.96]	34,000 [9.96]
Net Sensible Capacity Btu [kW]	24,200 [7.09]	24,200 [7.09]	24,200 [7.09]	24,200 [7.09]
Net Latent Capacity Btu [kW]	9,800 [2.87]	9,800 [2.87]	9,800 [2.87]	9,800 [2.87]
Net System Power kW	2.93	2.93	2.93	2.93
Heating Performance (Gas)³				
Heating Input Btu [kW]	60,000 [17.58]	80,000 [23.44]	100,000 [29.3]	60,000 [17.58]
Heating Output Btu [kW]	48,600 [14.24]	64,800 [18.99]	81,000 [23.73]	48,600 [14.24]
Temperature Rise Range °F [°C]	30-60 [16.7-33.3]	30-60 [16.7-33.3]	40-70 [22.2-38.9]	30-60 [16.7-33.3]
AFUE % ⁴	81	81	81	81
Steady State Efficiency (%)	81.19	81.71	81.79	81.19
No. Burners	3	3	3	3
No. Stages	1	1	1	1
Gas Connection Pipe Size in. [mm]	0.5 [12.7]	0.5 [12.7]	0.5 [12.7]	0.5 [12.7]
Compressor				
No./Type	1/Scroll	1/Scroll	1/Scroll	1/Scroll
Outdoor Sound Rating (dB)⁵	76	76	76	76
Outdoor Coil—Fin Type	Louvered	Louvered	Louvered	Louvered
Tube Type	MicroChannel	MicroChannel	MicroChannel	MicroChannel
MicroChannel Depth in. [mm]	0.71 [18]	0.71 [18]	0.71 [18]	0.71 [18]
Face Area sq. ft. [sq. m]	9.8 [0.91]	9.8 [0.91]	9.8 [0.91]	9.8 [0.91]
Rows / FPI [FPcm]	1 / 23 [9]	1 / 23 [9]	1 / 23 [9]	1 / 23 [9]
Indoor Coil—Fin Type	Louvered	Louvered	Louvered	Louvered
Tube Type	MicroChannel	MicroChannel	MicroChannel	MicroChannel
MicroChannel Depth in. [mm]	1 [25.4]	1 [25.4]	1 [25.4]	1 [25.4]
Face Area sq. ft. [sq. m]	3.6 [0.33]	3.6 [0.33]	3.6 [0.33]	3.6 [0.33]
Rows / FPI [FPcm]	1 / 23 [9]	1 / 23 [9]	1 / 23 [9]	1 / 17 [7]
Refrigerant Control	TX Valves	TX Valves	TX Valves	TX Valves
Drain Connection No./Size in. [mm]	1/0.75 [19.05]	1/0.75 [19.05]	1/0.75 [19.05]	1/0.75 [19.05]
Outdoor Fan—Type	Propeller	Propeller	Propeller	Propeller
No. Used/Diameter in. [mm]	1/22 [558.8]	1/22 [558.8]	1/22 [558.8]	1/22 [558.8]
Drive Type/No. Speeds	Direct/1	Direct/1	Direct/1	Direct/1
CFM [L/s]	2700 [1274]	2700 [1274]	2700 [1274]	2700 [1274]
No. Motors/HP	1 at 1/3 HP	1 at 1/3 HP	1 at 1/3 HP	1 at 1/3 HP
Motor RPM	1075	1075	1075	1075
Indoor Fan—Type	FC Centrifugal	FC Centrifugal	FC Centrifugal	FC Centrifugal
No. Used/Diameter in. [mm]	1/12x9 [305x229]	1/12x9 [305x229]	1/12x9 [305x229]	1/12x9 [305x229]
Drive Type	Direct	Direct	Direct	Direct
No. Speeds	Multiple	Multiple	Multiple	Multiple
No. Motors	1	1	1	1
Motor HP	1/2	1/2	1/2	1/2
Motor RPM	1075	1075	1075	1075
Motor Frame Size	48	48	48	48
Filter—Type	Field Supplied	Field Supplied	Field Supplied	Field Supplied
Furnished	No	No	No	No
(NO.) Size Recommended in. [mm x mm x mm]	(1)1x24x24 [25x610x610]	(1)1x24x24 [25x610x610]	(1)1x24x24 [25x610x610]	(1)1x24x24 [25x610x610]
Refrigerant Charge Oz. [g]	52.7 [1494]	52.7 [1494]	52.7 [1494]	52.7 [1494]
Weights				
Net Weight lbs. [kg]	411 [186]	416 [189]	421 [191]	411 [186]
Ship Weight lbs. [kg]	421 [191]	426 [193]	431 [196]	421 [191]

See Page 31 for Notes.

[] Designates Metric Conversions

NOMINAL SIZES 3-5 TONS [10.6-17.6 kW]

Model RGEA13 Series	036ADD081AA	036ADD101AA	042ACT081AA	042ACT101AA
Cooling Performance¹				CONTINUED →
Gross Cooling Capacity Btu [kW]	35,400 [10.37]	35,400 [10.37]	41,000 [12.01]	41,000 [12.01]
EER/SEER ²	11.6/13.5	11.6/13.5	12/13.5	12/13.5
Nominal CFM/AHRI Rated CFM [L/s]	1200/1200 [566/566]	1200/1200 [566/566]	1400/1300 [661/613]	1400/1300 [661/613]
AHRI Net Cooling Capacity Btu [kW]	34,000 [9.96]	34,000 [9.96]	40,000 [11.72]	40,000 [11.72]
Net Sensible Capacity Btu [kW]	24,200 [7.09]	24,200 [7.09]	29,000 [8.5]	29,000 [8.5]
Net Latent Capacity Btu [kW]	9,800 [2.87]	9,800 [2.87]	11,000 [3.22]	11,000 [3.22]
Net System Power kW	2.93	2.93	3.27	3.27
Heating Performance (Gas)³				
Heating Input Btu [kW]	80,000 [23.44]	100,000 [29.3]	80,000 [23.44]	100,000 [29.3]
Heating Output Btu [kW]	64,800 [18.99]	81,000 [23.73]	64,800 [18.99]	81,000 [23.73]
Temperature Rise Range °F [°C]	30-60 [16.7-33.3]	40-70 [22.2-38.9]	35-65 [19.4-36.1]	45-75 [25-41.7]
AFUE % ⁴	81	81	81	81
Steady State Efficiency (%)	81.71	81.79	81.71	81.79
No. Burners	3	3	4	4
No. Stages	1	1	1	1
Gas Connection Pipe Size in. [mm]	0.5 [12.7]	0.5 [12.7]	0.5 [12.7]	0.5 [12.7]
Compressor				
No./Type	1/Scroll	1/Scroll	1/Scroll	1/Scroll
Outdoor Sound Rating (dB)⁵	76	76	76	76
Outdoor Coil—Fin Type	Louvered	Louvered	Louvered	Louvered
Tube Type	MicroChannel	MicroChannel	MicroChannel	MicroChannel
MicroChannel Depth in. [mm]	0.71 [18]	0.71 [18]	0.71 [18]	0.71 [18]
Face Area sq. ft. [sq. m]	9.8 [0.91]	9.8 [0.91]	14.1 [1.31]	14.1 [1.31]
Rows / FPI [FPcm]	1 / 23 [9]	1 / 23 [9]	1 / 23 [9]	1 / 23 [9]
Indoor Coil—Fin Type	Louvered	Louvered	Louvered	Louvered
Tube Type	MicroChannel	MicroChannel	MicroChannel	MicroChannel
MicroChannel Depth in. [mm]	1 [25.4]	1 [25.4]	1 [25.4]	1 [25.4]
Face Area sq. ft. [sq. m]	3.6 [0.33]	3.6 [0.33]	3.6 [0.33]	3.6 [0.33]
Rows / FPI [FPcm]	1 / 17 [7]	1 / 17 [7]	1 / 17 [7]	1 / 17 [7]
Refrigerant Control	TX Valves	TX Valves	TX Valves	TX Valves
Drain Connection No./Size in. [mm]	1/0.75 [19.05]	1/0.75 [19.05]	1/0.75 [19.05]	1/0.75 [19.05]
Outdoor Fan—Type	Propeller	Propeller	Propeller	Propeller
No. Used/Diameter in. [mm]	1/22 [558.8]	1/22 [558.8]	1/22 [558.8]	1/22 [558.8]
Drive Type/No. Speeds	Direct/1	Direct/1	Direct/1	Direct/1
CFM [L/s]	2700 [1274]	2700 [1274]	3500 [1652]	3500 [1652]
No. Motors/HP	1 at 1/3 HP	1 at 1/3 HP	1 at 1/3 HP	1 at 1/3 HP
Motor RPM	1075	1075	1075	1075
Indoor Fan—Type	FC Centrifugal	FC Centrifugal	FC Centrifugal	FC Centrifugal
No. Used/Diameter in. [mm]	1/12x9 [305x229]	1/12x9 [305x229]	1/12x9 [305x229]	1/12x9 [305x229]
Drive Type	Direct	Direct	Direct	Direct
No. Speeds	Multiple	Multiple	Multiple	Multiple
No. Motors	1	1	1	1
Motor HP	1/2	1/2	3/4	3/4
Motor RPM	1075	1075	1075	1075
Motor Frame Size	48	48	48	48
Filter—Type	Field Supplied	Field Supplied	Field Supplied	Field Supplied
Furnished	No	No	No	No
(NO.) Size Recommended in. [mm x mm x mm]	(1)1x24x24 [25x610x610]	(1)1x24x24 [25x610x610]	(1)1x24x24 [25x610x610]	(1)1x24x24 [25x610x610]
Refrigerant Charge Oz. [g]	52.7 [1494]	52.7 [1494]	53.6 [1520]	53.6 [1520]
Weights				
Net Weight lbs. [kg]	416 [189]	421 [191]	441 [200]	446 [202]
Ship Weight lbs. [kg]	426 [193]	431 [196]	451 [205]	456 [207]

See Page 31 for Notes.

[] Designates Metric Conversions

NOMINAL SIZES 3-5 TONS [10.6-17.6 kW]

Model RGEA13 Series	048ACT081AA	048ACT101AA	048ADT101AA	060ACT101AA
Cooling Performance¹				CONTINUED →
Gross Cooling Capacity Btu [kW]	47,500 [13.92]	47,500 [13.92]	47,500 [13.92]	60,000 [17.58]
EER/SEER ²	11.5/13.5	11.5/13.5	11.5/13.5	11/13
Nominal CFM/AHRI Rated CFM [L/s]	1600/1550 [755/731]	1600/1550 [755/731]	1600/1550 [755/731]	2000/1850 [944/873]
AHRI Net Cooling Capacity Btu [kW]	46,000 [13.48]	46,000 [13.48]	46,000 [13.48]	57,500 [16.85]
Net Sensible Capacity Btu [kW]	32,500 [9.52]	32,500 [9.52]	32,500 [9.52]	40,300 [11.81]
Net Latent Capacity Btu [kW]	13,500 [3.96]	13,500 [3.96]	13,500 [3.96]	17,200 [5.04]
Net System Power kW	4	4	4	5.17
Heating Performance (Gas)³				
Heating Input Btu [kW]	80,000 [23.44]	100,000 [29.3]	100,000 [29.3]	100,000 [29.3]
Heating Output Btu [kW]	64,800 [18.99]	81,000 [23.73]	81,000 [23.73]	81,000 [23.73]
Temperature Rise Range °F [°C]	35-65 [19.4-36.1]	45-75 [25-41.7]	45-75 [25-41.7]	45-75 [25-41.7]
AFUE % ⁴	81	81	81	81
Steady State Efficiency (%)	82.4	81.9	81.9	82.01
No. Burners	4	4	4	5
No. Stages	1	1	1	1
Gas Connection Pipe Size in. [mm]	0.5 [12.7]	0.5 [12.7]	0.5 [12.7]	0.5 [12.7]
Compressor				
No./Type	1/Scroll	1/Scroll	1/Scroll	1/Scroll
Outdoor Sound Rating (dB)⁵	78	78	78	79
Outdoor Coil—Fin Type	Louvered	Louvered	Louvered	Louvered
Tube Type	MicroChannel	MicroChannel	MicroChannel	MicroChannel
MicroChannel Depth in. [mm]	0.71 [18]	0.71 [18]	0.71 [18]	0.71 [18]
Face Area sq. ft. [sq. m]	16.3 [1.51]	16.3 [1.51]	16.3 [1.51]	16.3 [1.51]
Rows / FPI [FPcm]	1 / 23 [9]	1 / 23 [9]	1 / 23 [9]	1 / 23 [9]
Indoor Coil—Fin Type	Louvered	Louvered	Louvered	Louvered
Tube Type	MicroChannel	MicroChannel	MicroChannel	MicroChannel
MicroChannel Depth in. [mm]	1 [25.4]	1 [25.4]	1 [25.4]	1.26 [32]
Face Area sq. ft. [sq. m]	4.1 [0.38]	4.1 [0.38]	4.1 [0.38]	4 [0.37]
Rows / FPI [FPcm]	1 / 20 [8]	1 / 20 [8]	1 / 20 [8]	1 / 20 [8]
Refrigerant Control	TX Valves	TX Valves	TX Valves	TX Valves
Drain Connection No./Size in. [mm]	1/0.75 [19.05]	1/0.75 [19.05]	1/0.75 [19.05]	1/0.75 [19.05]
Outdoor Fan—Type	Propeller	Propeller	Propeller	Propeller
No. Used/Diameter in. [mm]	1/22 [558.8]	1/22 [558.8]	1/22 [558.8]	1/22 [558.8]
Drive Type/No. Speeds	Direct/1	Direct/1	Direct/1	Direct/1
CFM [L/s]	3300 [1557]	3300 [1557]	3300 [1557]	3400 [1604]
No. Motors/HP	1 at 1/3 HP	1 at 1/3 HP	1 at 1/3 HP	1 at 1/3 HP
Motor RPM	1075	1075	1075	1075
Indoor Fan—Type	FC Centrifugal	FC Centrifugal	FC Centrifugal	FC Centrifugal
No. Used/Diameter in. [mm]	1/12x9 [305x229]	1/12x9 [305x229]	1/12x9 [305x229]	1/12x9 [305x229]
Drive Type	Direct	Direct	Direct	Direct
No. Speeds	Multiple	Multiple	Multiple	Multiple
No. Motors	1	1	1	1
Motor HP	3/4	3/4	3/4	1
Motor RPM	1075	1075	1075	1075
Motor Frame Size	48	48	48	48
Filter—Type	Field Supplied	Field Supplied	Field Supplied	Field Supplied
Furnished	No	No	No	No
(NO.) Size Recommended in. [mm x mm x mm]	(1)1x24x24 [25x610x610]	(1)1x24x24 [25x610x610]	(1)1x24x24 [25x610x610]	(1)1x24x30 [25x610x762]
Refrigerant Charge Oz. [g]	69.3 [1965]	69.3 [1965]	69.3 [1965]	66.1 [1874]
Weights				
Net Weight lbs. [kg]	477 [216]	482 [219]	482 [219]	512 [232]
Ship Weight lbs. [kg]	487 [221]	492 [223]	492 [223]	522 [237]

See Page 31 for Notes.

[] Designates Metric Conversions

NOMINAL SIZES 3-5 TONS [10.6-17.6 kW]

Model RGEA13 Series	060ADT101AA
Cooling Performance¹	
Gross Cooling Capacity Btu [kW]	60,000 [17.58]
EER/SEER ²	11/13
Nominal CFM/AHRI Rated CFM [L/s]	2000/1850 [944/873]
AHRI Net Cooling Capacity Btu [kW]	57,500 [16.85]
Net Sensible Capacity Btu [kW]	40,300 [11.81]
Net Latent Capacity Btu [kW]	17,200 [5.04]
Net System Power kW	5.17
Heating Performance (Gas)³	
Heating Input Btu [kW]	100,000 [29.3]
Heating Output Btu [kW]	81,000 [23.73]
Temperature Rise Range °F [°C]	45-75 [25-41.7]
AFUE % ⁴	81
Steady State Efficiency (%)	82.01
No. Burners	5
No. Stages	1
Gas Connection Pipe Size in. [mm]	0.5 [12.7]
Compressor	
No./Type	1/Scroll
Outdoor Sound Rating (dB)⁵	
79	
Outdoor Coil—Fin Type	
Louvered	
Tube Type	MicroChannel
MicroChannel Depth in. [mm]	0.71 [18]
Face Area sq. ft. [sq. m]	16.3 [1.51]
Rows / FPI [FPcm]	1 / 23 [9]
Indoor Coil—Fin Type	
Louvered	
Tube Type	MicroChannel
MicroChannel Depth in. [mm]	1.26 [32]
Face Area sq. ft. [sq. m]	4 [0.37]
Rows / FPI [FPcm]	1 / 20 [8]
Refrigerant Control	TX Valves
Drain Connection No./Size in. [mm]	1/0.75 [19.05]
Outdoor Fan—Type	
Propeller	
No. Used/Diameter in. [mm]	1/22 [558.8]
Drive Type/No. Speeds	Direct/1
CFM [L/s]	3400 [1604]
No. Motors/HP	1 at 1/3 HP
Motor RPM	1075
Indoor Fan—Type	
FC Centrifugal	
No. Used/Diameter in. [mm]	1/12x9 [305x229]
Drive Type	Direct
No. Speeds	Multiple
No. Motors	1
Motor HP	1
Motor RPM	1075
Motor Frame Size	48
Filter—Type	
Field Supplied	
Furnished	No
(NO.) Size Recommended in. [mm x mm x mm]	(1)1x24x30 [25x610x762]
Refrigerant Charge Oz. [g]	
66.1 [1874]	
Weights	
Net Weight lbs. [kg]	512 [232]
Ship Weight lbs. [kg]	522 [237]

See Page 31 for Notes.

[] Designates Metric Conversions

NOMINAL SIZES 2-5 TONS [7.0-17.6 kW]

Model RGEA14 Series	024AJD041AA	024AJD04XAA	024AJD061AA
Cooling Performance¹			
Gross Cooling Capacity Btu [kW]	24,800 [7.27]	24,800 [7.27]	24,800 [7.27]
EER/SEER ²	11.6/14	11.6/14	11.6/14
Nominal CFM/AHRI Rated CFM [L/s]	800/900 [378/425]	800/900 [378/425]	800/900 [378/425]
AHRI Net Cooling Capacity Btu [kW]	24,000 [7.03]	24,000 [7.03]	24,000 [7.03]
Net Sensible Capacity Btu [kW]	18,000 [5.27]	18,000 [5.27]	18,000 [5.27]
Net Latent Capacity Btu [kW]	6,000 [1.76]	6,000 [1.76]	6,000 [1.76]
Net System Power kW	2.07	2.07	2.07
Heating Performance (Gas)³			
Heating Input Btu [kW]	40,000 [11.72]	40,000 [11.72]	60,000 [17.58]
Heating Output Btu [kW]	32,000 [9.38]	32,000 [9.38]	48,000 [14.06]
Temperature Rise Range °F [°C]	25-55 [13.9-30.6]	25-55 [13.9-30.6]	40-70 [22.2-38.9]
AFUE % ⁴	81	81	81
Steady State Efficiency (%)	82.35	82.35	81.19
No. Burners	2	2	2
No. Stages	1	1	1
Gas Connection Pipe Size in. [mm]	0.5 [12.7]	0.5 [12.7]	0.5 [12.7]
Compressor			
No./Type	1/Scroll	1/Scroll	1/Scroll
Outdoor Sound Rating (dB)⁵			
	76	76	76
Outdoor Coil—Fin Type			
Tube Type	Louvered	Louvered	Louvered
MicroChannel Depth in. [mm]	MicroChannel	MicroChannel	MicroChannel
Face Area sq. ft. [sq. m]	0.71 [18]	0.71 [18]	0.71 [18]
Rows / FPI [FPcm]	7.1 [0.66]	7.1 [0.66]	7.1 [0.66]
	1 / 23 [9]	1 / 23 [9]	1 / 23 [9]
Indoor Coil—Fin Type			
Tube Type	Louvered	Louvered	Louvered
MicroChannel Depth in. [mm]	MicroChannel	MicroChannel	MicroChannel
Face Area sq. ft. [sq. m]	1 [25.4]	1 [25.4]	1 [25.4]
Rows / FPI [FPcm]	3.6 [0.33]	3.6 [0.33]	3.6 [0.33]
	1 / 17 [7]	1 / 17 [7]	1 / 17 [7]
Refrigerant Control	TX Valves	TX Valves	TX Valves
Drain Connection No./Size in. [mm]	1/0.75 [19.05]	1/0.75 [19.05]	1/0.75 [19.05]
Outdoor Fan—Type			
No. Used/Diameter in. [mm]	Propeller	Propeller	Propeller
Drive Type/No. Speeds	1/22 [558.8]	1/22 [558.8]	1/22 [558.8]
CFM [L/s]	Direct/1	Direct/1	Direct/1
No. Motors/HP	2500 [1180]	2500 [1180]	2500 [1180]
Motor RPM	1 at 1/3 HP	1 at 1/3 HP	1 at 1/3 HP
	1075	1075	1075
Indoor Fan—Type			
No. Used/Diameter in. [mm]	FC Centrifugal	FC Centrifugal	FC Centrifugal
Drive Type	1/9x7 [229x178]	1/9x7 [229x178]	1/9x7 [229x178]
No. Speeds	Direct	Direct	Direct
No. Motors	Multiple	Multiple	Multiple
Motor HP	1	1	1
Motor RPM	1/4	1/4	1/4
Motor Frame Size	1075	1075	1075
	48	48	48
Filter—Type			
Furnished	Field Supplied	Field Supplied	Field Supplied
(NO.) Size Recommended in. [mm x mm x mm]	No	No	No
	(1)1x20x20 [25x508x508]	(1)1x20x20 [25x508x508]	(1)1x20x20 [25x508x508]
Refrigerant Charge Oz. [g]			
	42.7 [1211]	42.7 [1211]	42.7 [1211]
Weights			
Net Weight lbs. [kg]	398 [181]	398 [181]	403 [183]
Ship Weight lbs. [kg]	408 [185]	408 [185]	413 [187]

CONTINUED →

See Page 31 for Notes.

[] Designates Metric Conversions

NOMINAL SIZES 2-5 TONS [7.0-17.6 kW]

Model RGEA14 Series	024AJD06XAA	030AJD061AA	030AJD06XAA	030AJD081AA
Cooling Performance¹				CONTINUED →
Gross Cooling Capacity Btu [kW]	24,800 [7.27]	29,600 [8.67]	29,600 [8.67]	29,600 [8.67]
EER/SEER ²	11.6/14	12/14	12/14	12/14
Nominal CFM/AHRI Rated CFM [L/s]	800/900 [378/425]	1000/1000 [472/472]	1000/1000 [472/472]	1000/1000 [472/472]
AHRI Net Cooling Capacity Btu [kW]	24,000 [7.03]	28,400 [8.32]	28,400 [8.32]	28,400 [8.32]
Net Sensible Capacity Btu [kW]	18,000 [5.27]	21,200 [6.21]	21,200 [6.21]	21,200 [6.21]
Net Latent Capacity Btu [kW]	6,000 [1.76]	7,200 [2.11]	7,200 [2.11]	7,200 [2.11]
Net System Power kW	2.07	2.37	2.37	2.37
Heating Performance (Gas)³				
Heating Input Btu [kW]	60,000 [17.58]	60,000 [17.58]	60,000 [17.58]	80,000 [23.44]
Heating Output Btu [kW]	48,000 [14.06]	48,000 [14.06]	48,000 [14.06]	64,000 [18.75]
Temperature Rise Range °F [°C]	40-70 [22.2-38.9]	35-65 [19.4-36.1]	35-65 [19.4-36.1]	35-65 [19.4-36.1]
AFUE % ⁴	81	81	81	81
Steady State Efficiency (%)	81.19	81.19	81.19	81.61
No. Burners	2	3	3	3
No. Stages	1	1	1	1
Gas Connection Pipe Size in. [mm]	0.5 [12.7]	0.5 [12.7]	0.5 [12.7]	0.5 [12.7]
Compressor				
No./Type	1/Scroll	1/Scroll	1/Scroll	1/Scroll
Outdoor Sound Rating (dB)⁵	76	76	76	76
Outdoor Coil—Fin Type	Louvered	Louvered	Louvered	Louvered
Tube Type	MicroChannel	MicroChannel	MicroChannel	MicroChannel
MicroChannel Depth in. [mm]	0.71 [18]	0.71 [18]	0.71 [18]	0.71 [18]
Face Area sq. ft. [sq. m]	7.1 [0.66]	9.9 [0.92]	9.9 [0.92]	9.9 [0.92]
Rows / FPI [FPcm]	1 / 23 [9]	1 / 23 [9]	1 / 23 [9]	1 / 23 [9]
Indoor Coil—Fin Type	Louvered	Louvered	Louvered	Louvered
Tube Type	MicroChannel	MicroChannel	MicroChannel	MicroChannel
MicroChannel Depth in. [mm]	1 [25.4]	1 [25.4]	1 [25.4]	1 [25.4]
Face Area sq. ft. [sq. m]	3.6 [0.33]	3.6 [0.33]	3.6 [0.33]	3.6 [0.33]
Rows / FPI [FPcm]	1 / 17 [7]	1 / 23 [9]	1 / 23 [9]	1 / 23 [9]
Refrigerant Control	TX Valves	TX Valves	TX Valves	TX Valves
Drain Connection No./Size in. [mm]	1/0.75 [19.05]	1/0.75 [19.05]	1/0.75 [19.05]	1/0.75 [19.05]
Outdoor Fan—Type	Propeller	Propeller	Propeller	Propeller
No. Used/Diameter in. [mm]	1/22 [558.8]	1/22 [558.8]	1/22 [558.8]	1/22 [558.8]
Drive Type/No. Speeds	Direct/1	Direct/1	Direct/1	Direct/1
CFM [L/s]	2500 [1180]	2500 [1180]	2500 [1180]	2500 [1180]
No. Motors/HP	1 at 1/3 HP	1 at 1/3 HP	1 at 1/3 HP	1 at 1/3 HP
Motor RPM	1075	1075	1075	1075
Indoor Fan—Type	FC Centrifugal	FC Centrifugal	FC Centrifugal	FC Centrifugal
No. Used/Diameter in. [mm]	1/9x7 [229x178]	1/10x9 [254x229]	1/10x9 [254x229]	1/10x9 [254x229]
Drive Type	Direct	Direct	Direct	Direct
No. Speeds	Multiple	Multiple	Multiple	Multiple
No. Motors	1	1	1	1
Motor HP	1/4	1/2	1/2	1/2
Motor RPM	1075	1075	1075	1075
Motor Frame Size	48	48	48	48
Filter—Type	Field Supplied	Field Supplied	Field Supplied	Field Supplied
Furnished	No	No	No	No
(NO.) Size Recommended in. [mm x mm x mm]	(1)1x20x20 [25x508x508]	(1)1x24x24 [25x610x610]	(1)1x24x24 [25x610x610]	(1)1x24x24 [25x610x610]
Refrigerant Charge Oz. [g]	42.7 [1211]	46.8 [1327]	46.8 [1327]	46.8 [1327]
Weights				
Net Weight lbs. [kg]	403 [183]	403 [183]	403 [183]	408 [185]
Ship Weight lbs. [kg]	413 [187]	413 [187]	413 [187]	418 [190]

See Page 31 for Notes.

[] Designates Metric Conversions

NOMINAL SIZES 2-5 TONS [7.0-17.6 kW]

Model RGEA14 Series	030AJD08XAA	036ACD061AA	036ACD081AA	036ACD101AA
Cooling Performance¹				CONTINUED →
Gross Cooling Capacity Btu [kW]	29,600 [8.67]	35,400 [10.37]	35,400 [10.37]	35,400 [10.37]
EER/SEER ²	12/14	11.8/14	11.8/14	11.8/14
Nominal CFM/AHRI Rated CFM [L/s]	1000/1000 [472/472]	1200/1200 [566/566]	1200/1200 [566/566]	1200/1200 [566/566]
AHRI Net Cooling Capacity Btu [kW]	28,400 [8.32]	34,000 [9.96]	34,000 [9.96]	34,000 [9.96]
Net Sensible Capacity Btu [kW]	21,200 [6.21]	24,200 [7.09]	24,200 [7.09]	24,200 [7.09]
Net Latent Capacity Btu [kW]	7,200 [2.11]	9,800 [2.87]	9,800 [2.87]	9,800 [2.87]
Net System Power kW	2.37	2.89	2.89	2.89
Heating Performance (Gas)³				
Heating Input Btu [kW]	80,000 [23.44]	60,000 [17.58]	80,000 [23.44]	100,000 [29.3]
Heating Output Btu [kW]	64,000 [18.75]	48,600 [14.24]	64,800 [18.99]	81,000 [23.73]
Temperature Rise Range °F [°C]	35-65 [19.4-36.1]	30-60 [16.7-33.3]	30-60 [16.7-33.3]	40-70 [22.2-38.9]
AFUE % ⁴	81	81	81	81
Steady State Efficiency (%)	81.61	81.19	81.71	81.79
No. Burners	3	3	3	3
No. Stages	1	1	1	1
Gas Connection Pipe Size in. [mm]	0.5 [12.7]	0.5 [12.7]	0.5 [12.7]	0.5 [12.7]
Compressor				
No./Type	1/Scroll	1/Scroll	1/Scroll	1/Scroll
Outdoor Sound Rating (dB)⁵	76	76	76	76
Outdoor Coil—Fin Type	Louvered	Louvered	Louvered	Louvered
Tube Type	MicroChannel	MicroChannel	MicroChannel	MicroChannel
MicroChannel Depth in. [mm]	0.71 [18]	0.71 [18]	0.71 [18]	0.71 [18]
Face Area sq. ft. [sq. m]	9.9 [0.92]	9.8 [0.91]	9.8 [0.91]	9.8 [0.91]
Rows / FPI [FPcm]	1 / 23 [9]	1 / 23 [9]	1 / 23 [9]	1 / 23 [9]
Indoor Coil—Fin Type	Louvered	Louvered	Louvered	Louvered
Tube Type	MicroChannel	MicroChannel	MicroChannel	MicroChannel
MicroChannel Depth in. [mm]	1 [25.4]	1 [25.4]	1 [25.4]	1 [25.4]
Face Area sq. ft. [sq. m]	3.6 [0.33]	3.6 [0.33]	3.6 [0.33]	3.6 [0.33]
Rows / FPI [FPcm]	1 / 23 [9]	1 / 23 [9]	1 / 23 [9]	1 / 23 [9]
Refrigerant Control	TX Valves	TX Valves	TX Valves	TX Valves
Drain Connection No./Size in. [mm]	1/0.75 [19.05]	1/0.75 [19.05]	1/0.75 [19.05]	1/0.75 [19.05]
Outdoor Fan—Type	Propeller	Propeller	Propeller	Propeller
No. Used/Diameter in. [mm]	1/22 [558.8]	1/22 [558.8]	1/22 [558.8]	1/22 [558.8]
Drive Type/No. Speeds	Direct/1	Direct/1	Direct/1	Direct/1
CFM [L/s]	2500 [1180]	2700 [1274]	2700 [1274]	2700 [1274]
No. Motors/HP	1 at 1/3 HP	1 at 1/3 HP	1 at 1/3 HP	1 at 1/3 HP
Motor RPM	1075	1075	1075	1075
Indoor Fan—Type	FC Centrifugal	FC Centrifugal	FC Centrifugal	FC Centrifugal
No. Used/Diameter in. [mm]	1/10x9 [254x229]	1/12x9 [305x229]	1/12x9 [305x229]	1/12x9 [305x229]
Drive Type	Direct	Direct	Direct	Direct
No. Speeds	Multiple	Multiple	Multiple	Multiple
No. Motors	1	1	1	1
Motor HP	1/2	1/2	1/2	1/2
Motor RPM	1075	1075	1075	1075
Motor Frame Size	48	48	48	48
Filter—Type	Field Supplied	Field Supplied	Field Supplied	Field Supplied
Furnished	No	No	No	No
(NO.) Size Recommended in. [mm x mm x mm]	(1)1x24x24 [25x610x610]	(1)1x24x24 [25x610x610]	(1)1x24x24 [25x610x610]	(1)1x24x24 [25x610x610]
Refrigerant Charge Oz. [g]	46.8 [1327]	52.7 [1494]	52.7 [1494]	52.7 [1494]
Weights				
Net Weight lbs. [kg]	408 [185]	411 [186]	416 [189]	421 [191]
Ship Weight lbs. [kg]	418 [190]	421 [191]	426 [193]	431 [196]

See Page 31 for Notes.

[] Designates Metric Conversions

NOMINAL SIZES 2-5 TONS [7.0-17.6 kW]

Model RGEA14 Series	036ADD061AA	036ADD081AA	036ADD101AA	036AJD061AA
Cooling Performance¹				CONTINUED →
Gross Cooling Capacity Btu [kW]	35,400 [10.37]	35,400 [10.37]	35,400 [10.37]	35,400 [10.37]
EER/SEER ²	11.8/14	11.8/14	11.8/14	11.8/14
Nominal CFM/AHRI Rated CFM [L/s]	1200/1200 [566/566]	1200/1200 [566/566]	1200/1200 [566/566]	1200/1200 [566/566]
AHRI Net Cooling Capacity Btu [kW]	34,000 [9.96]	34,000 [9.96]	34,000 [9.96]	34,000 [9.96]
Net Sensible Capacity Btu [kW]	24,200 [7.09]	24,200 [7.09]	24,200 [7.09]	24,200 [7.09]
Net Latent Capacity Btu [kW]	9,800 [2.87]	9,800 [2.87]	9,800 [2.87]	9,800 [2.87]
Net System Power kW	2.89	2.89	2.89	2.89
Heating Performance (Gas)³				
Heating Input Btu [kW]	60,000 [17.58]	80,000 [23.44]	100,000 [29.3]	60,000 [17.58]
Heating Output Btu [kW]	48,600 [14.24]	64,800 [18.99]	81,000 [23.73]	48,000 [14.06]
Temperature Rise Range °F [°C]	30-60 [16.7-33.3]	30-60 [16.7-33.3]	40-70 [22.2-38.9]	30-60 [16.7-33.3]
AFUE % ⁴	81	81	81	81
Steady State Efficiency (%)	81.19	81.71	81.79	81.19
No. Burners	3	3	3	3
No. Stages	1	1	1	1
Gas Connection Pipe Size in. [mm]	0.5 [12.7]	0.5 [12.7]	0.5 [12.7]	0.5 [12.7]
Compressor				
No./Type	1/Scroll	1/Scroll	1/Scroll	1/Scroll
Outdoor Sound Rating (dB)⁵	76	76	76	76
Outdoor Coil—Fin Type	Louvered	Louvered	Louvered	Louvered
Tube Type	MicroChannel	MicroChannel	MicroChannel	MicroChannel
MicroChannel Depth in. [mm]	0.71 [18]	0.71 [18]	0.71 [18]	0.71 [18]
Face Area sq. ft. [sq. m]	9.8 [0.91]	9.8 [0.91]	9.8 [0.91]	9.8 [0.91]
Rows / FPI [FPcm]	1 / 23 [9]	1 / 23 [9]	1 / 23 [9]	1 / 23 [9]
Indoor Coil—Fin Type	Louvered	Louvered	Louvered	Louvered
Tube Type	MicroChannel	MicroChannel	MicroChannel	MicroChannel
MicroChannel Depth in. [mm]	1 [25.4]	1 [25.4]	1 [25.4]	1 [25.4]
Face Area sq. ft. [sq. m]	3.6 [0.33]	3.6 [0.33]	3.6 [0.33]	3.6 [0.33]
Rows / FPI [FPcm]	1 / 17 [7]	1 / 17 [7]	1 / 17 [7]	1 / 17 [7]
Refrigerant Control	TX Valves	TX Valves	TX Valves	TX Valves
Drain Connection No./Size in. [mm]	1/0.75 [19.05]	1/0.75 [19.05]	1/0.75 [19.05]	1/0.75 [19.05]
Outdoor Fan—Type	Propeller	Propeller	Propeller	Propeller
No. Used/Diameter in. [mm]	1/22 [558.8]	1/22 [558.8]	1/22 [558.8]	1/22 [558.8]
Drive Type/No. Speeds	Direct/1	Direct/1	Direct/1	Direct/1
CFM [L/s]	2700 [1274]	2700 [1274]	2700 [1274]	2700 [1274]
No. Motors/HP	1 at 1/3 HP	1 at 1/3 HP	1 at 1/3 HP	1 at 1/3 HP
Motor RPM	1075	1075	1075	1075
Indoor Fan—Type	FC Centrifugal	FC Centrifugal	FC Centrifugal	FC Centrifugal
No. Used/Diameter in. [mm]	1/12x9 [305x229]	1/12x9 [305x229]	1/12x9 [305x229]	1/12x9 [305x229]
Drive Type	Direct	Direct	Direct	Direct
No. Speeds	Multiple	Multiple	Multiple	Multiple
No. Motors	1	1	1	1
Motor HP	1/2	1/2	1/2	1/2
Motor RPM	1075	1075	1075	1075
Motor Frame Size	48	48	48	48
Filter—Type	Field Supplied	Field Supplied	Field Supplied	Field Supplied
Furnished	No	No	No	No
(NO.) Size Recommended in. [mm x mm x mm]	(1)1x24x24 [25x610x610]	(1)1x24x24 [25x610x610]	(1)1x24x24 [25x610x610]	(1)1x24x24 [25x610x610]
Refrigerant Charge Oz. [g]	52.7 [1494]	52.7 [1494]	52.7 [1494]	52.7 [1494]
Weights				
Net Weight lbs. [kg]	411 [186]	416 [189]	421 [191]	411 [186]
Ship Weight lbs. [kg]	421 [191]	426 [193]	431 [196]	421 [191]

See Page 31 for Notes.

[] Designates Metric Conversions

NOMINAL SIZES 2-5 TONS [7.0-17.6 kW]

Model RGEA14 Series	036AJD06XAA	036AJD081AA	036AJD08XAA	036AJD101AA
Cooling Performance¹				CONTINUED →
Gross Cooling Capacity Btu [kW]	35,400 [10.37]	35,400 [10.37]	35,400 [10.37]	35,400 [10.37]
EER/SEER ²	11.8/14	11.8/14	11.8/14	11.8/14
Nominal CFM/AHRI Rated CFM [L/s]	1200/1200 [566/566]	1200/1200 [566/566]	1200/1200 [566/566]	1200/1200 [566/566]
AHRI Net Cooling Capacity Btu [kW]	34,000 [9.96]	34,000 [9.96]	34,000 [9.96]	34,000 [9.96]
Net Sensible Capacity Btu [kW]	24,200 [7.09]	24,200 [7.09]	24,200 [7.09]	24,200 [7.09]
Net Latent Capacity Btu [kW]	9,800 [2.87]	9,800 [2.87]	9,800 [2.87]	9,800 [2.87]
Net System Power kW	2.89	2.89	2.89	2.89
Heating Performance (Gas)³				
Heating Input Btu [kW]	60,000 [17.58]	80,000 [23.44]	80,000 [23.44]	100,000 [29.3]
Heating Output Btu [kW]	48,000 [14.06]	64,000 [18.75]	64,000 [18.75]	80,000 [23.44]
Temperature Rise Range °F [°C]	30-60 [16.7-33.3]	30-60 [16.7-33.3]	30-60 [16.7-33.3]	40-70 [22.2-38.9]
AFUE % ⁴	81	81	81	81
Steady State Efficiency (%)	81.19	81.71	81.71	81.79
No. Burners	3	3	3	3
No. Stages	1	1	1	1
Gas Connection Pipe Size in. [mm]	0.5 [12.7]	0.5 [12.7]	0.5 [12.7]	0.5 [12.7]
Compressor				
No./Type	1/Scroll	1/Scroll	1/Scroll	1/Scroll
Outdoor Sound Rating (dB)⁵	76	76	76	76
Outdoor Coil—Fin Type	Louvered	Louvered	Louvered	Louvered
Tube Type	MicroChannel	MicroChannel	MicroChannel	MicroChannel
MicroChannel Depth in. [mm]	0.71 [18]	0.71 [18]	0.71 [18]	0.71 [18]
Face Area sq. ft. [sq. m]	9.8 [0.91]	9.8 [0.91]	9.8 [0.91]	9.8 [0.91]
Rows / FPI [FPcm]	1 / 23 [9]	1 / 23 [9]	1 / 23 [9]	1 / 23 [9]
Indoor Coil—Fin Type	Louvered	Louvered	Louvered	Louvered
Tube Type	MicroChannel	MicroChannel	MicroChannel	MicroChannel
MicroChannel Depth in. [mm]	1 [25.4]	1 [25.4]	1 [25.4]	1 [25.4]
Face Area sq. ft. [sq. m]	3.6 [0.33]	3.6 [0.33]	3.6 [0.33]	3.6 [0.33]
Rows / FPI [FPcm]	1 / 17 [7]	1 / 17 [7]	1 / 17 [7]	1 / 17 [7]
Refrigerant Control	TX Valves	TX Valves	TX Valves	TX Valves
Drain Connection No./Size in. [mm]	1/0.75 [19.05]	1/0.75 [19.05]	1/0.75 [19.05]	1/0.75 [19.05]
Outdoor Fan—Type	Propeller	Propeller	Propeller	Propeller
No. Used/Diameter in. [mm]	1/22 [558.8]	1/22 [558.8]	1/22 [558.8]	1/22 [558.8]
Drive Type/No. Speeds	Direct/1	Direct/1	Direct/1	Direct/1
CFM [L/s]	2700 [1274]	2700 [1274]	2700 [1274]	2700 [1274]
No. Motors/HP	1 at 1/3 HP	1 at 1/3 HP	1 at 1/3 HP	1 at 1/3 HP
Motor RPM	1075	1075	1075	1075
Indoor Fan—Type	FC Centrifugal	FC Centrifugal	FC Centrifugal	FC Centrifugal
No. Used/Diameter in. [mm]	1/12x9 [305x229]	1/12x9 [305x229]	1/12x9 [305x229]	1/12x9 [305x229]
Drive Type	Direct	Direct	Direct	Direct
No. Speeds	Multiple	Multiple	Multiple	Multiple
No. Motors	1	1	1	1
Motor HP	1/2	1/2	1/2	1/2
Motor RPM	1075	1075	1075	1075
Motor Frame Size	48	48	48	48
Filter—Type	Field Supplied	Field Supplied	Field Supplied	Field Supplied
Furnished	No	No	No	No
(NO.) Size Recommended in. [mm x mm x mm]	(1)1x24x24 [25x610x610]	(1)1x24x24 [25x610x610]	(1)1x24x24 [25x610x610]	(1)1x24x24 [25x610x610]
Refrigerant Charge Oz. [g]	52.7 [1494]	52.7 [1494]	52.7 [1494]	52.7 [1494]
Weights				
Net Weight lbs. [kg]	411 [186]	416 [189]	416 [189]	421 [191]
Ship Weight lbs. [kg]	421 [191]	426 [193]	426 [193]	431 [196]

See Page 31 for Notes.

[] Designates Metric Conversions

NOMINAL SIZES 2-5 TONS [7.0-17.6 kW]

Model RGEA14 Series	036AJD10XAA	042ACT081AA	042ACT101AA	042AJT081AA
Cooling Performance¹				CONTINUED →
Gross Cooling Capacity Btu [kW]	35,400 [10.37]	41,000 [12.01]	41,000 [12.01]	41,000 [12.01]
EER/SEER ²	11.8/14	12/14	12/14	12/14
Nominal CFM/AHRI Rated CFM [L/s]	1200/1200 [566/566]	1400/1300 [661/613]	1400/1300 [661/613]	1400/1300 [661/613]
AHRI Net Cooling Capacity Btu [kW]	34,000 [9.96]	40,000 [11.72]	40,000 [11.72]	40,000 [11.72]
Net Sensible Capacity Btu [kW]	24,200 [7.09]	29,000 [8.5]	29,000 [8.5]	29,000 [8.5]
Net Latent Capacity Btu [kW]	9,800 [2.87]	11,000 [3.22]	11,000 [3.22]	11,000 [3.22]
Net System Power kW	2.89	3.27	3.27	3.27
Heating Performance (Gas)³				
Heating Input Btu [kW]	100,000 [29.3]	80,000 [23.44]	100,000 [29.3]	80,000 [23.44]
Heating Output Btu [kW]	80,000 [23.44]	64,800 [18.99]	81,000 [23.73]	64,000 [18.75]
Temperature Rise Range °F [°C]	40-70 [22.2-38.9]	35-65 [19.4-36.1]	45-75 [25-41.7]	35-65 [19.4-36.1]
AFUE % ⁴	81	81	81	81
Steady State Efficiency (%)	81.79	81.71	81.79	81.71
No. Burners	3	4	4	4
No. Stages	1	1	1	1
Gas Connection Pipe Size in. [mm]	0.5 [12.7]	0.5 [12.7]	0.5 [12.7]	0.5 [12.7]
Compressor				
No./Type	1/Scroll	1/Scroll	1/Scroll	1/Scroll
Outdoor Sound Rating (dB)⁵	76	76	76	76
Outdoor Coil—Fin Type	Louvered	Louvered	Louvered	Louvered
Tube Type	MicroChannel	MicroChannel	MicroChannel	MicroChannel
MicroChannel Depth in. [mm]	0.71 [18]	0.71 [18]	0.71 [18]	0.71 [18]
Face Area sq. ft. [sq. m]	9.8 [0.91]	14.1 [1.31]	14.1 [1.31]	14.1 [1.31]
Rows / FPI [FPcm]	1 / 23 [9]	1 / 23 [9]	1 / 23 [9]	1 / 23 [9]
Indoor Coil—Fin Type	Louvered	Louvered	Louvered	Louvered
Tube Type	MicroChannel	MicroChannel	MicroChannel	MicroChannel
MicroChannel Depth in. [mm]	1 [25.4]	1 [25.4]	1 [25.4]	1 [25.4]
Face Area sq. ft. [sq. m]	3.6 [0.33]	3.6 [0.33]	3.6 [0.33]	3.6 [0.33]
Rows / FPI [FPcm]	1 / 17 [7]	1 / 17 [7]	1 / 17 [7]	1 / 17 [7]
Refrigerant Control	TX Valves	TX Valves	TX Valves	TX Valves
Drain Connection No./Size in. [mm]	1/0.75 [19.05]	1/0.75 [19.05]	1/0.75 [19.05]	1/0.75 [19.05]
Outdoor Fan—Type	Propeller	Propeller	Propeller	Propeller
No. Used/Diameter in. [mm]	1/22 [558.8]	1/22 [558.8]	1/22 [558.8]	1/22 [558.8]
Drive Type/No. Speeds	Direct/1	Direct/1	Direct/1	Direct/1
CFM [L/s]	2700 [1274]	3500 [1652]	3500 [1652]	3500 [1652]
No. Motors/HP	1 at 1/3 HP	1 at 1/3 HP	1 at 1/3 HP	1 at 1/3 HP
Motor RPM	1075	1075	1075	1075
Indoor Fan—Type	FC Centrifugal	FC Centrifugal	FC Centrifugal	FC Centrifugal
No. Used/Diameter in. [mm]	1/12x9 [305x229]	1/12x9 [305x229]	1/12x9 [305x229]	1/12x9 [305x229]
Drive Type	Direct	Direct	Direct	Direct
No. Speeds	Multiple	Multiple	Multiple	Multiple
No. Motors	1	1	1	1
Motor HP	1/2	3/4	3/4	3/4
Motor RPM	1075	1075	1075	1075
Motor Frame Size	48	48	48	48
Filter—Type	Field Supplied	Field Supplied	Field Supplied	Field Supplied
Furnished	No	No	No	No
(NO.) Size Recommended in. [mm x mm x mm]	(1)1x24x24 [25x610x610]	(1)1x24x24 [25x610x610]	(1)1x24x24 [25x610x610]	(1)1x24x24 [25x610x610]
Refrigerant Charge Oz. [g]	52.7 [1494]	53.6 [1520]	53.6 [1520]	53.6 [1520]
Weights				
Net Weight lbs. [kg]	421 [191]	441 [200]	446 [202]	441 [200]
Ship Weight lbs. [kg]	431 [196]	451 [205]	456 [207]	451 [205]

See Page 31 for Notes.

[] Designates Metric Conversions

NOMINAL SIZES 2-5 TONS [7.0-17.6 kW]

Model RGEA14 Series	042AJT08XAA	042AJT101AA	042AJT10XAA	048ACT081AA
Cooling Performance¹				CONTINUED →
Gross Cooling Capacity Btu [kW]	41,000 [12.01]	41,000 [12.01]	41,000 [12.01]	47,500 [13.92]
EER/SEER ²	12/14	12/14	12/14	11.7/14
Nominal CFM/AHRI Rated CFM [L/s]	1400/1300 [661/613]	1400/1300 [661/613]	1400/1300 [661/613]	1600/1550 [755/731]
AHRI Net Cooling Capacity Btu [kW]	40,000 [11.72]	40,000 [11.72]	40,000 [11.72]	46,000 [13.48]
Net Sensible Capacity Btu [kW]	29,000 [8.5]	29,000 [8.5]	29,000 [8.5]	32,500 [9.52]
Net Latent Capacity Btu [kW]	11,000 [3.22]	11,000 [3.22]	11,000 [3.22]	13,500 [3.96]
Net System Power kW	3.27	3.27	3.27	3.89
Heating Performance (Gas)³				
Heating Input Btu [kW]	80,000 [23.44]	100,000 [29.3]	100,000 [29.3]	80,000 [23.44]
Heating Output Btu [kW]	64,000 [18.75]	80,000 [23.44]	80,000 [23.44]	64,800 [18.99]
Temperature Rise Range °F [°C]	35-65 [19.4-36.1]	45-75 [25-41.7]	45-75 [25-41.7]	35-65 [19.4-36.1]
AFUE % ⁴	81	81	81	81
Steady State Efficiency (%)	81.71	81.79	81.79	82.4
No. Burners	4	4	4	4
No. Stages	1	1	1	1
Gas Connection Pipe Size in. [mm]	0.5 [12.7]	0.5 [12.7]	0.5 [12.7]	0.5 [12.7]
Compressor				
No./Type	1/Scroll	1/Scroll	1/Scroll	1/Scroll
Outdoor Sound Rating (dB)⁵	76	76	76	78
Outdoor Coil—Fin Type	Louvered	Louvered	Louvered	Louvered
Tube Type	MicroChannel	MicroChannel	MicroChannel	MicroChannel
MicroChannel Depth in. [mm]	0.71 [18]	0.71 [18]	0.71 [18]	0.71 [18]
Face Area sq. ft. [sq. m]	14.1 [1.31]	14.1 [1.31]	14.1 [1.31]	16.3 [1.51]
Rows / FPI [FPcm]	1 / 23 [9]	1 / 23 [9]	1 / 23 [9]	1 / 23 [9]
Indoor Coil—Fin Type	Louvered	Louvered	Louvered	Louvered
Tube Type	MicroChannel	MicroChannel	MicroChannel	MicroChannel
MicroChannel Depth in. [mm]	1 [25.4]	1 [25.4]	1 [25.4]	1 [25.4]
Face Area sq. ft. [sq. m]	3.6 [0.33]	3.6 [0.33]	3.6 [0.33]	4.1 [0.38]
Rows / FPI [FPcm]	1 / 17 [7]	1 / 17 [7]	1 / 17 [7]	1 / 20 [8]
Refrigerant Control	TX Valves	TX Valves	TX Valves	TX Valves
Drain Connection No./Size in. [mm]	1/0.75 [19.05]	1/0.75 [19.05]	1/0.75 [19.05]	1/0.75 [19.05]
Outdoor Fan—Type	Propeller	Propeller	Propeller	Propeller
No. Used/Diameter in. [mm]	1/22 [558.8]	1/22 [558.8]	1/22 [558.8]	1/22 [558.8]
Drive Type/No. Speeds	Direct/1	Direct/1	Direct/1	Direct/1
CFM [L/s]	3500 [1652]	3500 [1652]	3500 [1652]	3300 [1557]
No. Motors/HP	1 at 1/3 HP	1 at 1/3 HP	1 at 1/3 HP	1 at 1/3 HP
Motor RPM	1075	1075	1075	1075
Indoor Fan—Type	FC Centrifugal	FC Centrifugal	FC Centrifugal	FC Centrifugal
No. Used/Diameter in. [mm]	1/12x9 [305x229]	1/12x9 [305x229]	1/12x9 [305x229]	1/12x9 [305x229]
Drive Type	Direct	Direct	Direct	Direct
No. Speeds	Multiple	Multiple	Multiple	Multiple
No. Motors	1	1	1	1
Motor HP	3/4	3/4	3/4	3/4
Motor RPM	1075	1075	1075	1075
Motor Frame Size	48	48	48	48
Filter—Type	Field Supplied	Field Supplied	Field Supplied	Field Supplied
Furnished	No	No	No	No
(NO.) Size Recommended in. [mm x mm x mm]	(1)1x24x24 [25x610x610]	(1)1x24x24 [25x610x610]	(1)1x24x24 [25x610x610]	(1)1x24x24 [25x610x610]
Refrigerant Charge Oz. [g]	53.6 [1520]	53.6 [1520]	53.6 [1520]	69.3 [1965]
Weights				
Net Weight lbs. [kg]	441 [200]	446 [202]	446 [202]	477 [216]
Ship Weight lbs. [kg]	451 [205]	456 [207]	456 [207]	487 [221]

See Page 31 for Notes.

[] Designates Metric Conversions

NOMINAL SIZES 2-5 TONS [7.0-17.6 kW]

Model RGEA14 Series	048ACT101AA	048ADT101AA	048AJT081AA	048AJT08XAA
Cooling Performance¹				CONTINUED →
Gross Cooling Capacity Btu [kW]	47,500 [13.92]	47,500 [13.92]	47,500 [13.92]	47,500 [13.92]
EER/SEER ²	11.7/14	11.7/14	11.7/14	11.7/14
Nominal CFM/AHRI Rated CFM [L/s]	1600/1550 [755/731]	1600/1550 [755/731]	1600/1550 [755/731]	1600/1550 [755/731]
AHRI Net Cooling Capacity Btu [kW]	46,000 [13.48]	46,000 [13.48]	46,000 [13.48]	46,000 [13.48]
Net Sensible Capacity Btu [kW]	32,500 [9.52]	32,500 [9.52]	32,500 [9.52]	32,500 [9.52]
Net Latent Capacity Btu [kW]	13,500 [3.96]	13,500 [3.96]	13,500 [3.96]	13,500 [3.96]
Net System Power kW	3.89	3.89	3.89	3.89
Heating Performance (Gas)³				
Heating Input Btu [kW]	100,000 [29.3]	100,000 [29.3]	80,000 [23.44]	80,000 [23.44]
Heating Output Btu [kW]	81,000 [23.73]	81,000 [23.73]	65,000 [19.04]	65,000 [19.04]
Temperature Rise Range °F [°C]	45-75 [25-41.7]	45-75 [25-41.7]	35-65 [19.4-36.1]	35-65 [19.4-36.1]
AFUE % ⁴	81	81	81	81
Steady State Efficiency (%)	81.9	81.9	82.4	82.4
No. Burners	4	4	4	4
No. Stages	1	1	1	1
Gas Connection Pipe Size in. [mm]	0.5 [12.7]	0.5 [12.7]	0.5 [12.7]	0.5 [12.7]
Compressor				
No./Type	1/Scroll	1/Scroll	1/Scroll	1/Scroll
Outdoor Sound Rating (dB)⁵	78	78	78	78
Outdoor Coil—Fin Type	Louvered	Louvered	Louvered	Louvered
Tube Type	MicroChannel	MicroChannel	MicroChannel	MicroChannel
MicroChannel Depth in. [mm]	0.71 [18]	0.71 [18]	0.71 [18]	0.71 [18]
Face Area sq. ft. [sq. m]	16.3 [1.51]	16.3 [1.51]	16.3 [1.51]	16.3 [1.51]
Rows / FPI [FPcm]	1 / 23 [9]	1 / 23 [9]	1 / 23 [9]	1 / 23 [9]
Indoor Coil—Fin Type	Louvered	Louvered	Louvered	Louvered
Tube Type	MicroChannel	MicroChannel	MicroChannel	MicroChannel
MicroChannel Depth in. [mm]	1 [25.4]	1 [25.4]	1 [25.4]	1 [25.4]
Face Area sq. ft. [sq. m]	4.1 [0.38]	4.1 [0.38]	4.1 [0.38]	4.1 [0.38]
Rows / FPI [FPcm]	1 / 20 [8]	1 / 20 [8]	1 / 20 [8]	1 / 20 [8]
Refrigerant Control	TX Valves	TX Valves	TX Valves	TX Valves
Drain Connection No./Size in. [mm]	1/0.75 [19.05]	1/0.75 [19.05]	1/0.75 [19.05]	1/0.75 [19.05]
Outdoor Fan—Type	Propeller	Propeller	Propeller	Propeller
No. Used/Diameter in. [mm]	1/22 [558.8]	1/22 [558.8]	1/22 [558.8]	1/22 [558.8]
Drive Type/No. Speeds	Direct/1	Direct/1	Direct/1	Direct/1
CFM [L/s]	3300 [1557]	3300 [1557]	3300 [1557]	3300 [1557]
No. Motors/HP	1 at 1/3 HP	1 at 1/3 HP	1 at 1/3 HP	1 at 1/3 HP
Motor RPM	1075	1075	1075	1075
Indoor Fan—Type	FC Centrifugal	FC Centrifugal	FC Centrifugal	FC Centrifugal
No. Used/Diameter in. [mm]	1/12x9 [305x229]	1/12x9 [305x229]	1/12x9 [305x229]	1/12x9 [305x229]
Drive Type	Direct	Direct	Direct	Direct
No. Speeds	Multiple	Multiple	Multiple	Multiple
No. Motors	1	1	1	1
Motor HP	3/4	3/4	3/4	3/4
Motor RPM	1075	1075	1075	1075
Motor Frame Size	48	48	48	48
Filter—Type	Field Supplied	Field Supplied	Field Supplied	Field Supplied
Furnished	No	No	No	No
(NO.) Size Recommended in. [mm x mm x mm]	(1)1x24x24 [25x610x610]	(1)1x24x24 [25x610x610]	(1)1x24x24 [25x610x610]	(1)1x24x24 [25x610x610]
Refrigerant Charge Oz. [g]	69.3 [1965]	69.3 [1965]	69.3 [1965]	69.3 [1965]
Weights				
Net Weight lbs. [kg]	482 [219]	482 [219]	477 [216]	477 [216]
Ship Weight lbs. [kg]	492 [223]	492 [223]	487 [221]	487 [221]

See Page 31 for Notes.

[] Designates Metric Conversions

NOMINAL SIZES 2-5 TONS [7.0-17.6 kW]

Model RGEA14 Series	048AJT101AA	048AJT10XAA	060ACT101AA	060ADT101AA
Cooling Performance¹				CONTINUED →
Gross Cooling Capacity Btu [kW]	47,500 [13.92]	47,500 [13.92]	59,000 [17.29]	59,000 [17.29]
EER/SEER ²	11.7/14	11.7/14	11.6/14	11.6/14
Nominal CFM/AHRI Rated CFM [L/s]	1600/1550 [755/731]	1600/1550 [755/731]	2000/1700 [944/802]	2000/1700 [944/802]
AHRI Net Cooling Capacity Btu [kW]	46,000 [13.48]	46,000 [13.48]	57,000 [16.7]	57,000 [16.7]
Net Sensible Capacity Btu [kW]	32,500 [9.52]	32,500 [9.52]	39,500 [11.57]	39,500 [11.57]
Net Latent Capacity Btu [kW]	13,500 [3.96]	13,500 [3.96]	17,500 [5.13]	17,500 [5.13]
Net System Power kW	3.89	3.89	4.94	4.94
Heating Performance (Gas)³				
Heating Input Btu [kW]	100,000 [29.3]	100,000 [29.3]	100,000 [29.3]	100,000 [29.3]
Heating Output Btu [kW]	80,000 [23.44]	80,000 [23.44]	81,000 [23.73]	81,000 [23.73]
Temperature Rise Range °F [°C]	45-75 [25-41.7]	45-75 [25-41.7]	45-75 [25-41.7]	45-75 [25-41.7]
AFUE % ⁴	81	81	81	81
Steady State Efficiency (%)	81.9	81.9	82.01	82.01
No. Burners	4	4	5	5
No. Stages	1	1	1	1
Gas Connection Pipe Size in. [mm]	0.5 [12.7]	0.5 [12.7]	0.5 [12.7]	0.5 [12.7]
Compressor				
No./Type	1/Scroll	1/Scroll	1/Scroll	1/Scroll
Outdoor Sound Rating (dB)⁵	78	78	79	79
Outdoor Coil—Fin Type	Louvered	Louvered	Louvered	Louvered
Tube Type	MicroChannel	MicroChannel	MicroChannel	MicroChannel
MicroChannel Depth in. [mm]	0.71 [18]	0.71 [18]	1 [25.4]	1 [25.4]
Face Area sq. ft. [sq. m]	16.3 [1.51]	16.3 [1.51]	15.3 [1.42]	15.3 [1.42]
Rows / FPI [FPcm]	1 / 23 [9]	1 / 23 [9]	1 / 23 [9]	1 / 23 [9]
Indoor Coil—Fin Type	Louvered	Louvered	Louvered	Louvered
Tube Type	MicroChannel	MicroChannel	MicroChannel	MicroChannel
MicroChannel Depth in. [mm]	1 [25.4]	1 [25.4]	1.26 [32]	1.26 [32]
Face Area sq. ft. [sq. m]	4.1 [0.38]	4.1 [0.38]	4 [0.37]	4 [0.37]
Rows / FPI [FPcm]	1 / 20 [8]	1 / 20 [8]	1 / 20 [8]	1 / 20 [8]
Refrigerant Control	TX Valves	TX Valves	TX Valves	TX Valves
Drain Connection No./Size in. [mm]	1/0.75 [19.05]	1/0.75 [19.05]	1/0.75 [19.05]	1/0.75 [19.05]
Outdoor Fan—Type	Propeller	Propeller	Propeller	Propeller
No. Used/Diameter in. [mm]	1/22 [558.8]	1/22 [558.8]	1/22 [558.8]	1/22 [558.8]
Drive Type/No. Speeds	Direct/1	Direct/1	Direct/1	Direct/1
CFM [L/s]	3300 [1557]	3300 [1557]	3400 [1604]	3400 [1604]
No. Motors/HP	1 at 1/3 HP	1 at 1/3 HP	1 at 1/3 HP	1 at 1/3 HP
Motor RPM	1075	1075	1075	1075
Indoor Fan—Type	FC Centrifugal	FC Centrifugal	FC Centrifugal	FC Centrifugal
No. Used/Diameter in. [mm]	1/12x9 [305x229]	1/12x9 [305x229]	1/12x9 [305x229]	1/12x9 [305x229]
Drive Type	Direct	Direct	Direct	Direct
No. Speeds	Multiple	Multiple	Multiple	Multiple
No. Motors	1	1	1	1
Motor HP	3/4	3/4	1	1
Motor RPM	1075	1075	1075	1075
Motor Frame Size	48	48	48	48
Filter—Type	Field Supplied	Field Supplied	Field Supplied	Field Supplied
Furnished	No	No	No	No
(NO.) Size Recommended in. [mm x mm x mm]	(1)1x24x24 [25x610x610]	(1)1x24x24 [25x610x610]	(1)1x24x30 [25x610x762]	(1)1x24x30 [25x610x762]
Refrigerant Charge Oz. [g]	69.3 [1965]	69.3 [1965]	83.1 [2356]	83.1 [2356]
Weights				
Net Weight lbs. [kg]	482 [219]	482 [219]	512 [232]	512 [232]
Ship Weight lbs. [kg]	492 [223]	492 [223]	522 [237]	522 [237]

See Page 31 for Notes.

[] Designates Metric Conversions

NOMINAL SIZES 2-5 TONS [7.0-17.6 kW]

Model RGEA14 Series	060AJT101AA	060AJT10XAA
Cooling Performance¹		
Gross Cooling Capacity Btu [kW]	59,000 [17.29]	59,000 [17.29]
EER/SEER ²	11.6/14	11.6/14
Nominal CFM/AHRI Rated CFM [L/s]	2000/1700 [944/802]	2000/1700 [944/802]
AHRI Net Cooling Capacity Btu [kW]	57,000 [16.7]	57,000 [16.7]
Net Sensible Capacity Btu [kW]	39,500 [11.57]	39,500 [11.57]
Net Latent Capacity Btu [kW]	17,500 [5.13]	17,500 [5.13]
Net System Power kW	4.94	4.94
Heating Performance (Gas)³		
Heating Input Btu [kW]	100,000 [29.3]	100,000 [29.3]
Heating Output Btu [kW]	80,000 [23.44]	80,000 [23.44]
Temperature Rise Range °F [°C]	45-75 [25-41.7]	45-75 [25-41.7]
AFUE % ⁴	81	81
Steady State Efficiency (%)	82.01	82.01
No. Burners	5	5
No. Stages	1	1
Gas Connection Pipe Size in. [mm]	0.5 [12.7]	0.5 [12.7]
Compressor		
No./Type	1/Scroll	1/Scroll
Outdoor Sound Rating (dB)⁵		
	79	79
Outdoor Coil—Fin Type		
Tube Type	Louvered	Louvered
MicroChannel Depth in. [mm]	MicroChannel	MicroChannel
Face Area sq. ft. [sq. m]	1 [25.4]	1 [25.4]
Rows / FPI [FPcm]	15.3 [1.42]	15.3 [1.42]
	1 / 23 [9]	1 / 23 [9]
Indoor Coil—Fin Type		
Tube Type	Louvered	Louvered
MicroChannel Depth in. [mm]	MicroChannel	MicroChannel
Face Area sq. ft. [sq. m]	1.26 [32]	1.26 [32]
Rows / FPI [FPcm]	4 [0.37]	4 [0.37]
	1 / 20 [8]	1 / 20 [8]
Refrigerant Control	TX Valves	TX Valves
Drain Connection No./Size in. [mm]	1/0.75 [19.05]	1/0.75 [19.05]
Outdoor Fan—Type		
No. Used/Diameter in. [mm]	Propeller	Propeller
Drive Type/No. Speeds	1/22 [558.8]	1/22 [558.8]
CFM [L/s]	Direct/1	Direct/1
No. Motors/HP	3400 [1604]	3400 [1604]
Motor RPM	1 at 1/3 HP	1 at 1/3 HP
	1075	1075
Indoor Fan—Type		
No. Used/Diameter in. [mm]	FC Centrifugal	FC Centrifugal
Drive Type	1/12x9 [305x229]	1/12x9 [305x229]
No. Speeds	Direct	Direct
No. Motors	Multiple	Multiple
Motor HP	1	1
Motor RPM	1	1
Motor Frame Size	1075	1075
	48	48
Filter—Type		
Furnished	Field Supplied	Field Supplied
(NO.) Size Recommended in. [mm x mm x mm]	No	No
	(1)1x24x30 [25x610x762]	(1)1x24x30 [25x610x762]
Refrigerant Charge Oz. [g]		
	83.1 [2356]	83.1 [2356]
Weights		
Net Weight lbs. [kg]	512 [232]	512 [232]
Ship Weight lbs. [kg]	522 [237]	522 [237]

See Page 31 for Notes.

[] Designates Metric Conversions

NOMINAL SIZES 2-5 TONS [7.0-17.6 kW]

Model RGEA15 Series	024AJT061AA	024AJT06XAA	024AJT081AA	024AJT08XAA
Cooling Performance¹				CONTINUED →
Gross Cooling Capacity Btu [kW]	24,600 [7.21]	24,600 [7.21]	24,600 [7.21]	24,600 [7.21]
EER/SEER ²	12/15	12/15	12/15	12/15
Nominal CFM/AHRI Rated CFM [L/s]	800/900 [378/425]	800/900 [378/425]	800/900 [378/425]	800/900 [378/425]
AHRI Net Cooling Capacity Btu [kW]	24,000 [7.03]	24,000 [7.03]	24,000 [7.03]	24,000 [7.03]
Net Sensible Capacity Btu [kW]	18,100 [5.3]	18,100 [5.3]	18,100 [5.3]	18,100 [5.3]
Net Latent Capacity Btu [kW]	5,900 [1.73]	5,900 [1.73]	5,900 [1.73]	5,900 [1.73]
Net System Power kW	2.03	2.03	2.03	2.03
Heating Performance (Gas)³				
Heating Input Btu [kW]	60,000 [17.58]	60,000 [17.58]	80,000 [23.44]	80,000 [23.44]
Heating Output Btu [kW]	48,000 [14.06]	48,000 [14.06]	64,000 [18.75]	64,000 [18.75]
Temperature Rise Range °F [°C]	40-70 [22.2-38.9]	40-70 [22.2-38.9]	35-65 [19.4-36.1]	35-65 [19.4-36.1]
AFUE % ⁴	81	81	81	81
Steady State Efficiency (%)	81.19	81.19	81.61	81.61
No. Burners	2	2	2	2
No. Stages	1	1	1	1
Gas Connection Pipe Size in. [mm]	0.5 [12.7]	0.5 [12.7]	0.5 [12.7]	0.5 [12.7]
Compressor				
No./Type	1/Scroll	1/Scroll	1/Scroll	1/Scroll
Outdoor Sound Rating (dB)⁵	76	76	76	76
Outdoor Coil—Fin Type	Louvered	Louvered	Louvered	Louvered
Tube Type	MicroChannel	MicroChannel	MicroChannel	MicroChannel
MicroChannel Depth in. [mm]	0.71 [18]	0.71 [18]	0.71 [18]	0.71 [18]
Face Area sq. ft. [sq. m]	7.1 [0.66]	7.1 [0.66]	7.1 [0.66]	7.1 [0.66]
Rows / FPI [FPcm]	1 / 23 [9]	1 / 23 [9]	1 / 23 [9]	1 / 23 [9]
Indoor Coil—Fin Type	Louvered	Louvered	Louvered	Louvered
Tube Type	MicroChannel	MicroChannel	MicroChannel	MicroChannel
MicroChannel Depth in. [mm]	1 [25.4]	1 [25.4]	1 [25.4]	1 [25.4]
Face Area sq. ft. [sq. m]	3.6 [0.33]	3.6 [0.33]	3.6 [0.33]	3.6 [0.33]
Rows / FPI [FPcm]	1 / 17 [7]	1 / 17 [7]	1 / 17 [7]	1 / 17 [7]
Refrigerant Control	TX Valves	TX Valves	TX Valves	TX Valves
Drain Connection No./Size in. [mm]	1/0.75 [19.05]	1/0.75 [19.05]	1/0.75 [19.05]	1/0.75 [19.05]
Outdoor Fan—Type	Propeller	Propeller	Propeller	Propeller
No. Used/Diameter in. [mm]	1/22 [558.8]	1/22 [558.8]	1/22 [558.8]	1/22 [558.8]
Drive Type/No. Speeds	Direct/1	Direct/1	Direct/1	Direct/1
CFM [L/s]	2500 [1180]	2500 [1180]	2500 [1180]	2500 [1180]
No. Motors/HP	1 at 1/3 HP	1 at 1/3 HP	1 at 1/3 HP	1 at 1/3 HP
Motor RPM	1075	1075	1075	1075
Indoor Fan—Type	FC Centrifugal	FC Centrifugal	FC Centrifugal	FC Centrifugal
No. Used/Diameter in. [mm]	1/12x7 [305x178]	1/12x7 [305x178]	1/12x7 [305x178]	1/12x7 [305x178]
Drive Type	Direct	Direct	Direct	Direct
No. Speeds	Multiple	Multiple	Multiple	Multiple
No. Motors	1	1	1	1
Motor HP	1/3	1/3	1/3	1/3
Motor RPM	1075	1075	1075	1075
Motor Frame Size	48	48	48	48
Filter—Type	Field Supplied	Field Supplied	Field Supplied	Field Supplied
Furnished	No	No	No	No
(NO.) Size Recommended in. [mm x mm x mm]	(1)1x20x20 [25x508x508]	(1)1x20x20 [25x508x508]	(1)1x20x20 [25x508x508]	(1)1x20x20 [25x508x508]
Refrigerant Charge Oz. [g]	42.6 [1208]	42.6 [1208]	42.6 [1208]	42.6 [1208]
Weights				
Net Weight lbs. [kg]	403 [183]	403 [183]	408 [185]	408 [185]
Ship Weight lbs. [kg]	413 [187]	413 [187]	418 [190]	418 [190]

See Page 31 for Notes.

[] Designates Metric Conversions

NOMINAL SIZES 2-5 TONS [7.0-17.6 kW]

Model RGEA15 Series	030AJT061AA	030AJT06XAA	030AJT081AA	030AJT08XAA
Cooling Performance¹				CONTINUED →
Gross Cooling Capacity Btu [kW]	29,600 [8.67]	29,600 [8.67]	29,600 [8.67]	29,600 [8.67]
EER/SEER ²	12/15	12/15	12/15	12/15
Nominal CFM/AHRI Rated CFM [L/s]	1000/975 [472/460]	1000/975 [472/460]	1000/975 [472/460]	1000/975 [472/460]
AHRI Net Cooling Capacity Btu [kW]	29,000 [8.5]	29,000 [8.5]	29,000 [8.5]	29,000 [8.5]
Net Sensible Capacity Btu [kW]	21,500 [6.3]	21,500 [6.3]	21,500 [6.3]	21,500 [6.3]
Net Latent Capacity Btu [kW]	7,500 [2.2]	7,500 [2.2]	7,500 [2.2]	7,500 [2.2]
Net System Power kW	2.21	2.21	2.21	2.21
Heating Performance (Gas)³				
Heating Input Btu [kW]	60,000 [17.58]	60,000 [17.58]	80,000 [23.44]	80,000 [23.44]
Heating Output Btu [kW]	48,000 [14.06]	48,000 [14.06]	64,000 [18.75]	64,000 [18.75]
Temperature Rise Range °F [°C]	40-70 [22.2-38.9]	40-70 [22.2-38.9]	35-65 [19.4-36.1]	35-65 [19.4-36.1]
AFUE % ⁴	81	81	81	81
Steady State Efficiency (%)	81.19	81.19	81.61	81.61
No. Burners	3	3	3	3
No. Stages	1	1	1	1
Gas Connection Pipe Size in. [mm]	0.5 [12.7]	0.5 [12.7]	0.5 [12.7]	0.5 [12.7]
Compressor				
No./Type	1/Scroll	1/Scroll	1/Scroll	1/Scroll
Outdoor Sound Rating (dB)⁵	76	76	76	76
Outdoor Coil—Fin Type	Louvered	Louvered	Louvered	Louvered
Tube Type	MicroChannel	MicroChannel	MicroChannel	MicroChannel
MicroChannel Depth in. [mm]	0.71 [18]	0.71 [18]	0.71 [18]	0.71 [18]
Face Area sq. ft. [sq. m]	9.9 [0.92]	9.9 [0.92]	9.9 [0.92]	9.9 [0.92]
Rows / FPI [FPcm]	1 / 23 [9]	1 / 23 [9]	1 / 23 [9]	1 / 23 [9]
Indoor Coil—Fin Type	Louvered	Louvered	Louvered	Louvered
Tube Type	MicroChannel	MicroChannel	MicroChannel	MicroChannel
MicroChannel Depth in. [mm]	1 [25.4]	1 [25.4]	1 [25.4]	1 [25.4]
Face Area sq. ft. [sq. m]	3.6 [0.33]	3.6 [0.33]	3.6 [0.33]	3.6 [0.33]
Rows / FPI [FPcm]	1 / 17 [7]	1 / 17 [7]	1 / 17 [7]	1 / 17 [7]
Refrigerant Control	TX Valves	TX Valves	TX Valves	TX Valves
Drain Connection No./Size in. [mm]	1/0.75 [19.05]	1/0.75 [19.05]	1/0.75 [19.05]	1/0.75 [19.05]
Outdoor Fan—Type	Propeller	Propeller	Propeller	Propeller
No. Used/Diameter in. [mm]	1/22 [558.8]	1/22 [558.8]	1/22 [558.8]	1/22 [558.8]
Drive Type/No. Speeds	Direct/1	Direct/1	Direct/1	Direct/1
CFM [L/s]	2500 [1180]	2500 [1180]	2500 [1180]	2500 [1180]
No. Motors/HP	1 at 1/3 HP	1 at 1/3 HP	1 at 1/3 HP	1 at 1/3 HP
Motor RPM	1075	1075	1075	1075
Indoor Fan—Type	FC Centrifugal	FC Centrifugal	FC Centrifugal	FC Centrifugal
No. Used/Diameter in. [mm]	1/10x9 [254x229]	1/10x9 [254x229]	1/10x9 [254x229]	1/10x9 [254x229]
Drive Type	Direct	Direct	Direct	Direct
No. Speeds	Multiple	Multiple	Multiple	Multiple
No. Motors	1	1	1	1
Motor HP	1/2	1/2	1/2	1/2
Motor RPM	1075	1075	1075	1075
Motor Frame Size	48	48	48	48
Filter—Type	Field Supplied	Field Supplied	Field Supplied	Field Supplied
Furnished	No	No	No	No
(NO.) Size Recommended in. [mm x mm x mm]	(1)1x24x24 [25x610x610]	(1)1x24x24 [25x610x610]	(1)1x24x24 [25x610x610]	(1)1x24x24 [25x610x610]
Refrigerant Charge Oz. [g]	46.8 [1327]	46.8 [1327]	46.8 [1327]	46.8 [1327]
Weights				
Net Weight lbs. [kg]	403 [183]	403 [183]	408 [185]	408 [185]
Ship Weight lbs. [kg]	413 [187]	413 [187]	418 [190]	418 [190]

See Page 31 for Notes.

[] Designates Metric Conversions

NOMINAL SIZES 2-5 TONS [7.0-17.6 kW]

Model RGEA15 Series	036ACT061AA	036ACT081AA	036ACT101AA	036ADT061AA
Cooling Performance¹				CONTINUED →
Gross Cooling Capacity Btu [kW]	36,000 [10.55]	36,000 [10.55]	36,000 [10.55]	36,000 [10.55]
EER/SEER ²	12/15	12/15	12/15	12/15
Nominal CFM/AHRI Rated CFM [L/s]	1200/1200 [566/566]	1200/1200 [566/566]	1200/1200 [566/566]	1200/1200 [566/566]
AHRI Net Cooling Capacity Btu [kW]	35,000 [10.25]	35,000 [10.25]	35,000 [10.25]	35,000 [10.25]
Net Sensible Capacity Btu [kW]	25,400 [7.44]	25,400 [7.44]	25,400 [7.44]	25,400 [7.44]
Net Latent Capacity Btu [kW]	9,600 [2.81]	9,600 [2.81]	9,600 [2.81]	9,600 [2.81]
Net System Power kW	2.77	2.77	2.77	2.77
Heating Performance (Gas)³				
Heating Input Btu [kW]	60,000 [17.58]	80,000 [23.44]	100,000 [29.3]	60,000 [17.58]
Heating Output Btu [kW]	48,600 [14.24]	64,800 [18.99]	81,000 [23.73]	48,600 [14.24]
Temperature Rise Range °F [°C]	40-70 [22.2-38.9]	35-65 [19.4-36.1]	45-75 [25-41.7]	40-70 [22.2-38.9]
AFUE % ⁴	81	81	81	81
Steady State Efficiency (%)	81.19	81.71	81.79	81.19
No. Burners	3	3	3	3
No. Stages	1	1	1	1
Gas Connection Pipe Size in. [mm]	0.5 [12.7]	0.5 [12.7]	0.5 [12.7]	0.5 [12.7]
Compressor				
No./Type	1/Scroll	1/Scroll	1/Scroll	1/Scroll
Outdoor Sound Rating (dB)⁵	76	76	76	76
Outdoor Coil—Fin Type	Louvered	Louvered	Louvered	Louvered
Tube Type	MicroChannel	MicroChannel	MicroChannel	MicroChannel
MicroChannel Depth in. [mm]	0.71 [18]	0.71 [18]	0.71 [18]	0.71 [18]
Face Area sq. ft. [sq. m]	9.8 [0.91]	9.8 [0.91]	9.8 [0.91]	9.8 [0.91]
Rows / FPI [FPcm]	1 / 23 [9]	1 / 23 [9]	1 / 23 [9]	1 / 23 [9]
Indoor Coil—Fin Type	Louvered	Louvered	Louvered	Louvered
Tube Type	MicroChannel	MicroChannel	MicroChannel	MicroChannel
MicroChannel Depth in. [mm]	1 [25.4]	1 [25.4]	1 [25.4]	1 [25.4]
Face Area sq. ft. [sq. m]	3.6 [0.33]	3.6 [0.33]	3.6 [0.33]	3.6 [0.33]
Rows / FPI [FPcm]	1 / 17 [7]	1 / 17 [7]	1 / 17 [7]	1 / 17 [7]
Refrigerant Control	TX Valves	TX Valves	TX Valves	TX Valves
Drain Connection No./Size in. [mm]	1/0.75 [19.05]	1/0.75 [19.05]	1/0.75 [19.05]	1/0.75 [19.05]
Outdoor Fan—Type	Propeller	Propeller	Propeller	Propeller
No. Used/Diameter in. [mm]	1/22 [558.8]	1/22 [558.8]	1/22 [558.8]	1/22 [558.8]
Drive Type/No. Speeds	Direct/1	Direct/1	Direct/1	Direct/1
CFM [L/s]	2700 [1274]	2700 [1274]	2700 [1274]	2700 [1274]
No. Motors/HP	1 at 1/3 HP	1 at 1/3 HP	1 at 1/3 HP	1 at 1/3 HP
Motor RPM	1075	1075	1075	1075
Indoor Fan—Type	FC Centrifugal	FC Centrifugal	FC Centrifugal	FC Centrifugal
No. Used/Diameter in. [mm]	1/12x9 [305x229]	1/12x9 [305x229]	1/12x9 [305x229]	1/12x9 [305x229]
Drive Type	Direct	Direct	Direct	Direct
No. Speeds	Multiple	Multiple	Multiple	Multiple
No. Motors	1	1	1	1
Motor HP	1/2	1/2	1/2	1/2
Motor RPM	1075	1075	1075	1075
Motor Frame Size	48	48	48	48
Filter—Type	Field Supplied	Field Supplied	Field Supplied	Field Supplied
Furnished	No	No	No	No
(NO.) Size Recommended in. [mm x mm x mm]	(1)1x24x24 [25x610x610]	(1)1x24x24 [25x610x610]	(1)1x24x24 [25x610x610]	(1)1x24x24 [25x610x610]
Refrigerant Charge Oz. [g]	52.7 [1494]	52.7 [1494]	52.7 [1494]	52.7 [1494]
Weights				
Net Weight lbs. [kg]	411 [186]	416 [189]	421 [191]	411 [186]
Ship Weight lbs. [kg]	421 [191]	426 [193]	431 [196]	421 [191]

See Page 31 for Notes.

[] Designates Metric Conversions

NOMINAL SIZES 2-5 TONS [7.0-17.6 kW]

Model RGEA15 Series	036ADT081AA	036ADT101AA	036AJT061AA	036AJT06XAA
Cooling Performance¹				CONTINUED →
Gross Cooling Capacity Btu [kW]	36,000 [10.55]	36,000 [10.55]	36,000 [10.55]	36,000 [10.55]
EER/SEER ²	12/15	12/15	12/15	12/15
Nominal CFM/AHRI Rated CFM [L/s]	1200/1200 [566/566]	1200/1200 [566/566]	1200/1200 [566/566]	1200/1200 [566/566]
AHRI Net Cooling Capacity Btu [kW]	35,000 [10.25]	35,000 [10.25]	35,000 [10.25]	35,000 [10.25]
Net Sensible Capacity Btu [kW]	25,400 [7.44]	25,400 [7.44]	25,400 [7.44]	25,400 [7.44]
Net Latent Capacity Btu [kW]	9,600 [2.81]	9,600 [2.81]	9,600 [2.81]	9,600 [2.81]
Net System Power kW	2.77	2.77	2.77	2.77
Heating Performance (Gas)³				
Heating Input Btu [kW]	80,000 [23.44]	100,000 [29.3]	60,000 [17.58]	60,000 [17.58]
Heating Output Btu [kW]	64,800 [18.99]	81,000 [23.73]	48,000 [14.06]	48,000 [14.06]
Temperature Rise Range °F [°C]	35-65 [19.4-36.1]	45-75 [25-41.7]	40-70 [22.2-38.9]	40-70 [22.2-38.9]
AFUE % ⁴	81	81	81	81
Steady State Efficiency (%)	81.71	81.79	81.19	81.19
No. Burners	3	3	3	3
No. Stages	1	1	1	1
Gas Connection Pipe Size in. [mm]	0.5 [12.7]	0.5 [12.7]	0.5 [12.7]	0.5 [12.7]
Compressor				
No./Type	1/Scroll	1/Scroll	1/Scroll	1/Scroll
Outdoor Sound Rating (dB)⁵	76	76	76	76
Outdoor Coil—Fin Type	Louvered	Louvered	Louvered	Louvered
Tube Type	MicroChannel	MicroChannel	MicroChannel	MicroChannel
MicroChannel Depth in. [mm]	0.71 [18]	0.71 [18]	0.71 [18]	0.71 [18]
Face Area sq. ft. [sq. m]	9.8 [0.91]	9.8 [0.91]	9.8 [0.91]	9.8 [0.91]
Rows / FPI [FPcm]	1 / 23 [9]	1 / 23 [9]	1 / 23 [9]	1 / 23 [9]
Indoor Coil—Fin Type	Louvered	Louvered	Louvered	Louvered
Tube Type	MicroChannel	MicroChannel	MicroChannel	MicroChannel
MicroChannel Depth in. [mm]	1 [25.4]	1 [25.4]	1 [25.4]	1 [25.4]
Face Area sq. ft. [sq. m]	3.6 [0.33]	3.6 [0.33]	3.6 [0.33]	3.6 [0.33]
Rows / FPI [FPcm]	1 / 17 [7]	1 / 17 [7]	1 / 17 [7]	1 / 17 [7]
Refrigerant Control	TX Valves	TX Valves	TX Valves	TX Valves
Drain Connection No./Size in. [mm]	1/0.75 [19.05]	1/0.75 [19.05]	1/0.75 [19.05]	1/0.75 [19.05]
Outdoor Fan—Type	Propeller	Propeller	Propeller	Propeller
No. Used/Diameter in. [mm]	1/22 [558.8]	1/22 [558.8]	1/22 [558.8]	1/22 [558.8]
Drive Type/No. Speeds	Direct/1	Direct/1	Direct/1	Direct/1
CFM [L/s]	2700 [1274]	2700 [1274]	2700 [1274]	2700 [1274]
No. Motors/HP	1 at 1/3 HP	1 at 1/3 HP	1 at 1/3 HP	1 at 1/3 HP
Motor RPM	1075	1075	1075	1075
Indoor Fan—Type	FC Centrifugal	FC Centrifugal	FC Centrifugal	FC Centrifugal
No. Used/Diameter in. [mm]	1/12x9 [305x229]	1/12x9 [305x229]	1/12x9 [305x229]	1/12x9 [305x229]
Drive Type	Direct	Direct	Direct	Direct
No. Speeds	Multiple	Multiple	Multiple	Multiple
No. Motors	1	1	1	1
Motor HP	1/2	1/2	1/2	1/2
Motor RPM	1075	1075	1075	1075
Motor Frame Size	48	48	48	48
Filter—Type	Field Supplied	Field Supplied	Field Supplied	Field Supplied
Furnished	No	No	No	No
(NO.) Size Recommended in. [mm x mm x mm]	(1)1x24x24 [25x610x610]	(1)1x24x24 [25x610x610]	(1)1x24x24 [25x610x610]	(1)1x24x24 [25x610x610]
Refrigerant Charge Oz. [g]	52.7 [1494]	52.7 [1494]	52.7 [1494]	52.7 [1494]
Weights				
Net Weight lbs. [kg]	416 [189]	421 [191]	411 [186]	411 [186]
Ship Weight lbs. [kg]	426 [193]	431 [196]	421 [191]	421 [191]

See Page 31 for Notes.

[] Designates Metric Conversions

NOMINAL SIZES 2-5 TONS [7.0-17.6 kW]

Model RGEA15 Series	036AJT081AA	036AJT08XAA	036AJT101AA	036AJT10XAA
Cooling Performance¹				CONTINUED →
Gross Cooling Capacity Btu [kW]	36,000 [10.55]	36,000 [10.55]	36,000 [10.55]	36,000 [10.55]
EER/SEER ²	12/15	12/15	12/15	12/15
Nominal CFM/AHRI Rated CFM [L/s]	1200/1200 [566/566]	1200/1200 [566/566]	1200/1200 [566/566]	1200/1200 [566/566]
AHRI Net Cooling Capacity Btu [kW]	35,000 [10.25]	35,000 [10.25]	35,000 [10.25]	35,000 [10.25]
Net Sensible Capacity Btu [kW]	25,400 [7.44]	25,400 [7.44]	25,400 [7.44]	25,400 [7.44]
Net Latent Capacity Btu [kW]	9,600 [2.81]	9,600 [2.81]	9,600 [2.81]	9,600 [2.81]
Net System Power kW	2.77	2.77	2.77	2.77
Heating Performance (Gas)³				
Heating Input Btu [kW]	80,000 [23.44]	80,000 [23.44]	100,000 [29.3]	100,000 [29.3]
Heating Output Btu [kW]	64,000 [18.75]	64,000 [18.75]	80,000 [23.44]	80,000 [23.44]
Temperature Rise Range °F [°C]	35-65 [19.4-36.1]	35-65 [19.4-36.1]	45-75 [25-41.7]	45-75 [25-41.7]
AFUE % ⁴	81	81	81	81
Steady State Efficiency (%)	81.71	81.71	81.79	81.79
No. Burners	3	3	3	3
No. Stages	1	1	1	1
Gas Connection Pipe Size in. [mm]	0.5 [12.7]	0.5 [12.7]	0.5 [12.7]	0.5 [12.7]
Compressor				
No./Type	1/Scroll	1/Scroll	1/Scroll	1/Scroll
Outdoor Sound Rating (dB)⁵	76	76	76	76
Outdoor Coil—Fin Type	Louvered	Louvered	Louvered	Louvered
Tube Type	MicroChannel	MicroChannel	MicroChannel	MicroChannel
MicroChannel Depth in. [mm]	0.71 [18]	0.71 [18]	0.71 [18]	0.71 [18]
Face Area sq. ft. [sq. m]	9.8 [0.91]	9.8 [0.91]	9.8 [0.91]	9.8 [0.91]
Rows / FPI [FPcm]	1 / 23 [9]	1 / 23 [9]	1 / 23 [9]	1 / 23 [9]
Indoor Coil—Fin Type	Louvered	Louvered	Louvered	Louvered
Tube Type	MicroChannel	MicroChannel	MicroChannel	MicroChannel
MicroChannel Depth in. [mm]	1 [25.4]	1 [25.4]	1 [25.4]	1 [25.4]
Face Area sq. ft. [sq. m]	3.6 [0.33]	3.6 [0.33]	3.6 [0.33]	3.6 [0.33]
Rows / FPI [FPcm]	1 / 17 [7]	1 / 17 [7]	1 / 17 [7]	1 / 17 [7]
Refrigerant Control	TX Valves	TX Valves	TX Valves	TX Valves
Drain Connection No./Size in. [mm]	1/0.75 [19.05]	1/0.75 [19.05]	1/0.75 [19.05]	1/0.75 [19.05]
Outdoor Fan—Type	Propeller	Propeller	Propeller	Propeller
No. Used/Diameter in. [mm]	1/22 [558.8]	1/22 [558.8]	1/22 [558.8]	1/22 [558.8]
Drive Type/No. Speeds	Direct/1	Direct/1	Direct/1	Direct/1
CFM [L/s]	2700 [1274]	2700 [1274]	2700 [1274]	2700 [1274]
No. Motors/HP	1 at 1/3 HP	1 at 1/3 HP	1 at 1/3 HP	1 at 1/3 HP
Motor RPM	1075	1075	1075	1075
Indoor Fan—Type	FC Centrifugal	FC Centrifugal	FC Centrifugal	FC Centrifugal
No. Used/Diameter in. [mm]	1/12x9 [305x229]	1/12x9 [305x229]	1/12x9 [305x229]	1/12x9 [305x229]
Drive Type	Direct	Direct	Direct	Direct
No. Speeds	Multiple	Multiple	Multiple	Multiple
No. Motors	1	1	1	1
Motor HP	1/2	1/2	1/2	1/2
Motor RPM	1075	1075	1075	1075
Motor Frame Size	48	48	48	48
Filter—Type	Field Supplied	Field Supplied	Field Supplied	Field Supplied
Furnished	No	No	No	No
(NO.) Size Recommended in. [mm x mm x mm]	(1)1x24x24 [25x610x610]	(1)1x24x24 [25x610x610]	(1)1x24x24 [25x610x610]	(1)1x24x24 [25x610x610]
Refrigerant Charge Oz. [g]	52.7 [1494]	52.7 [1494]	52.7 [1494]	52.7 [1494]
Weights				
Net Weight lbs. [kg]	416 [189]	416 [189]	421 [191]	421 [191]
Ship Weight lbs. [kg]	426 [193]	426 [193]	431 [196]	431 [196]

See Page 31 for Notes.

[] Designates Metric Conversions

NOMINAL SIZES 2-5 TONS [7.0-17.6 kW]

Model RGEA15 Series	042ACT081AA	042ACT101AA	042AJT081AA	042AJT08XAA
Cooling Performance¹				CONTINUED →
Gross Cooling Capacity Btu [kW]	41,000 [12.01]	41,000 [12.01]	41,000 [12.01]	41,000 [12.01]
EER/SEER ²	12/15	12/15	12/15	12/15
Nominal CFM/AHRI Rated CFM [L/s]	1400/1300 [661/613]	1400/1300 [661/613]	1400/1300 [661/613]	1400/1300 [661/613]
AHRI Net Cooling Capacity Btu [kW]	40,000 [11.72]	40,000 [11.72]	40,000 [11.72]	40,000 [11.72]
Net Sensible Capacity Btu [kW]	28,600 [8.38]	28,600 [8.38]	28,600 [8.38]	28,600 [8.38]
Net Latent Capacity Btu [kW]	11,400 [3.34]	11,400 [3.34]	11,400 [3.34]	11,400 [3.34]
Net System Power kW	3.28	3.28	3.28	3.28
Heating Performance (Gas)³				
Heating Input Btu [kW]	80,000 [23.44]	100,000 [29.3]	80,000 [23.44]	80,000 [23.44]
Heating Output Btu [kW]	64,800 [18.99]	81,000 [23.73]	64,000 [18.75]	64,000 [18.75]
Temperature Rise Range °F [°C]	35-65 [19.4-36.1]	45-75 [25-41.7]	35-65 [19.4-36.1]	35-65 [19.4-36.1]
AFUE % ⁴	81	81	81	81
Steady State Efficiency (%)	81.71	81.79	81.71	81.71
No. Burners	4	4	4	4
No. Stages	1	1	1	1
Gas Connection Pipe Size in. [mm]	0.5 [12.7]	0.5 [12.7]	0.5 [12.7]	0.5 [12.7]
Compressor				
No./Type	1/Scroll	1/Scroll	1/Scroll	1/Scroll
Outdoor Sound Rating (dB)⁵	76	76	76	76
Outdoor Coil—Fin Type	Louvered	Louvered	Louvered	Louvered
Tube Type	MicroChannel	MicroChannel	MicroChannel	MicroChannel
MicroChannel Depth in. [mm]	0.71 [18]	0.71 [18]	0.71 [18]	0.71 [18]
Face Area sq. ft. [sq. m]	14.1 [1.31]	14.1 [1.31]	14.1 [1.31]	14.1 [1.31]
Rows / FPI [FPcm]	1 / 23 [9]	1 / 23 [9]	1 / 23 [9]	1 / 23 [9]
Indoor Coil—Fin Type	Louvered	Louvered	Louvered	Louvered
Tube Type	MicroChannel	MicroChannel	MicroChannel	MicroChannel
MicroChannel Depth in. [mm]	1 [25.4]	1 [25.4]	1 [25.4]	1 [25.4]
Face Area sq. ft. [sq. m]	3.6 [0.33]	3.6 [0.33]	3.6 [0.33]	3.6 [0.33]
Rows / FPI [FPcm]	1 / 17 [7]	1 / 17 [7]	1 / 17 [7]	1 / 17 [7]
Refrigerant Control	TX Valves	TX Valves	TX Valves	TX Valves
Drain Connection No./Size in. [mm]	1/0.75 [19.05]	1/0.75 [19.05]	1/0.75 [19.05]	1/0.75 [19.05]
Outdoor Fan—Type	Propeller	Propeller	Propeller	Propeller
No. Used/Diameter in. [mm]	1/22 [558.8]	1/22 [558.8]	1/22 [558.8]	1/22 [558.8]
Drive Type/No. Speeds	Direct/1	Direct/1	Direct/1	Direct/1
CFM [L/s]	3500 [1652]	3500 [1652]	3500 [1652]	3500 [1652]
No. Motors/HP	1 at 1/3 HP	1 at 1/3 HP	1 at 1/3 HP	1 at 1/3 HP
Motor RPM	1075	1075	1075	1075
Indoor Fan—Type	FC Centrifugal	FC Centrifugal	FC Centrifugal	FC Centrifugal
No. Used/Diameter in. [mm]	1/12x9 [305x229]	1/12x9 [305x229]	1/12x9 [305x229]	1/12x9 [305x229]
Drive Type	Direct	Direct	Direct	Direct
No. Speeds	Multiple	Multiple	Multiple	Multiple
No. Motors	1	1	1	1
Motor HP	3/4	3/4	3/4	3/4
Motor RPM	1075	1075	1075	1075
Motor Frame Size	48	48	48	48
Filter—Type	Field Supplied	Field Supplied	Field Supplied	Field Supplied
Furnished	No	No	No	No
(NO.) Size Recommended in. [mm x mm x mm]	(1)1x24x24 [25x610x610]	(1)1x24x24 [25x610x610]	(1)1x24x24 [25x610x610]	(1)1x24x24 [25x610x610]
Refrigerant Charge Oz. [g]	61.3 [1738]	61.3 [1738]	61.3 [1738]	61.3 [1738]
Weights				
Net Weight lbs. [kg]	445 [202]	450 [204]	445 [202]	445 [202]
Ship Weight lbs. [kg]	455 [206]	460 [209]	455 [206]	455 [206]

See Page 31 for Notes.

[] Designates Metric Conversions

NOMINAL SIZES 2-5 TONS [7.0-17.6 kW]

Model RGEA15 Series	042AJT101AA	042AJT10XAA	048ACT081AA	048ACT101AA
Cooling Performance¹				CONTINUED →
Gross Cooling Capacity Btu [kW]	41,000 [12.01]	41,000 [12.01]	47,500 [13.92]	47,500 [13.92]
EER/SEER ²	12/15	12/15	12/15	12/15
Nominal CFM/AHRI Rated CFM [L/s]	1400/1300 [661/613]	1400/1300 [661/613]	1600/1550 [755/731]	1600/1550 [755/731]
AHRI Net Cooling Capacity Btu [kW]	40,000 [11.72]	40,000 [11.72]	46,000 [13.48]	46,000 [13.48]
Net Sensible Capacity Btu [kW]	28,600 [8.38]	28,600 [8.38]	33,000 [9.67]	33,000 [9.67]
Net Latent Capacity Btu [kW]	11,400 [3.34]	11,400 [3.34]	13,000 [3.81]	13,000 [3.81]
Net System Power kW	3.28	3.28	3.66	3.66
Heating Performance (Gas)³				
Heating Input Btu [kW]	100,000 [29.3]	100,000 [29.3]	80,000 [23.44]	100,000 [29.3]
Heating Output Btu [kW]	80,000 [23.44]	80,000 [23.44]	64,800 [18.99]	81,000 [23.73]
Temperature Rise Range °F [°C]	45-75 [25-41.7]	45-75 [25-41.7]	35-65 [19.4-36.1]	45-75 [25-41.7]
AFUE % ⁴	81	81	81	81
Steady State Efficiency (%)	81.79	81.79	82	82.01
No. Burners	4	4	4	4
No. Stages	1	1	1	1
Gas Connection Pipe Size in. [mm]	0.5 [12.7]	0.5 [12.7]	0.5 [12.7]	0.5 [12.7]
Compressor				
No./Type	1/Scroll	1/Scroll	1/Scroll	1/Scroll
Outdoor Sound Rating (dB)⁵	76	76	78	78
Outdoor Coil—Fin Type	Louvered	Louvered	Louvered	Louvered
Tube Type	MicroChannel	MicroChannel	MicroChannel	MicroChannel
MicroChannel Depth in. [mm]	0.71 [18]	0.71 [18]	0.71 [18]	0.71 [18]
Face Area sq. ft. [sq. m]	14.1 [1.31]	14.1 [1.31]	16.3 [1.51]	16.3 [1.51]
Rows / FPI [FPcm]	1 / 23 [9]	1 / 23 [9]	1 / 23 [9]	1 / 23 [9]
Indoor Coil—Fin Type	Louvered	Louvered	Louvered	Louvered
Tube Type	MicroChannel	MicroChannel	MicroChannel	MicroChannel
MicroChannel Depth in. [mm]	1 [25.4]	1 [25.4]	1.26 [32]	1.26 [32]
Face Area sq. ft. [sq. m]	3.6 [0.33]	3.6 [0.33]	4.1 [0.38]	4.1 [0.38]
Rows / FPI [FPcm]	1 / 17 [7]	1 / 17 [7]	1 / 20 [8]	1 / 20 [8]
Refrigerant Control	TX Valves	TX Valves	TX Valves	TX Valves
Drain Connection No./Size in. [mm]	1/0.75 [19.05]	1/0.75 [19.05]	1/0.75 [19.05]	1/0.75 [19.05]
Outdoor Fan—Type	Propeller	Propeller	Propeller	Propeller
No. Used/Diameter in. [mm]	1/22 [558.8]	1/22 [558.8]	1/22 [558.8]	1/22 [558.8]
Drive Type/No. Speeds	Direct/1	Direct/1	Direct/1	Direct/1
CFM [L/s]	3500 [1652]	3500 [1652]	3300 [1557]	3300 [1557]
No. Motors/HP	1 at 1/3 HP	1 at 1/3 HP	1 at 1/3 HP	1 at 1/3 HP
Motor RPM	1075	1075	1075	1075
Indoor Fan—Type	FC Centrifugal	FC Centrifugal	FC Centrifugal	FC Centrifugal
No. Used/Diameter in. [mm]	1/12x9 [305x229]	1/12x9 [305x229]	1/12x9 [305x229]	1/12x9 [305x229]
Drive Type	Direct	Direct	Direct	Direct
No. Speeds	Multiple	Multiple	Multiple	Multiple
No. Motors	1	1	1	1
Motor HP	3/4	3/4	3/4	3/4
Motor RPM	1075	1075	1075	1075
Motor Frame Size	48	48	48	48
Filter—Type	Field Supplied	Field Supplied	Field Supplied	Field Supplied
Furnished	No	No	No	No
(NO.) Size Recommended in. [mm x mm x mm]	(1)1x24x24 [25x610x610]	(1)1x24x24 [25x610x610]	(1)1x24x24 [25x610x610]	(1)1x24x24 [25x610x610]
Refrigerant Charge Oz. [g]	61.3 [1738]	61.3 [1738]	85.3 [2418]	85.3 [2418]
Weights				
Net Weight lbs. [kg]	450 [204]	450 [204]	492 [223]	497 [225]
Ship Weight lbs. [kg]	460 [209]	460 [209]	502 [228]	507 [230]

See Page 31 for Notes.

[] Designates Metric Conversions

NOMINAL SIZES 2-5 TONS [7.0-17.6 kW]

Model RGEA15 Series	048ADT101AA	048AJT081AA	048AJT08XAA	048AJT101AA
Cooling Performance¹				CONTINUED →
Gross Cooling Capacity Btu [kW]	47,500 [13.92]	47,500 [13.92]	47,500 [13.92]	47,500 [13.92]
EER/SEER ²	12/15	12/15	12/15	12/15
Nominal CFM/AHRI Rated CFM [L/s]	1600/1550 [755/731]	1600/1550 [755/731]	1600/1550 [755/731]	1600/1550 [755/731]
AHRI Net Cooling Capacity Btu [kW]	46,000 [13.48]	46,000 [13.48]	46,000 [13.48]	46,000 [13.48]
Net Sensible Capacity Btu [kW]	33,000 [9.67]	33,000 [9.67]	33,000 [9.67]	33,000 [9.67]
Net Latent Capacity Btu [kW]	13,000 [3.81]	13,000 [3.81]	13,000 [3.81]	13,000 [3.81]
Net System Power kW	3.66	3.66	3.66	3.66
Heating Performance (Gas)³				
Heating Input Btu [kW]	100,000 [29.3]	80,000 [23.44]	80,000 [23.44]	100,000 [29.3]
Heating Output Btu [kW]	81,000 [23.73]	65,000 [19.04]	65,000 [19.04]	80,000 [23.44]
Temperature Rise Range °F [°C]	45-75 [25-41.7]	35-65 [19.4-36.1]	35-65 [19.4-36.1]	45-75 [25-41.7]
AFUE % ⁴	81	81	81	81
Steady State Efficiency (%)	82.01	82	82	82.01
No. Burners	4	4	4	4
No. Stages	1	1	1	1
Gas Connection Pipe Size in. [mm]	0.5 [12.7]	0.5 [12.7]	0.5 [12.7]	0.5 [12.7]
Compressor				
No./Type	1/Scroll	1/Scroll	1/Scroll	1/Scroll
Outdoor Sound Rating (dB)⁵	78	78	78	78
Outdoor Coil—Fin Type	Louvered	Louvered	Louvered	Louvered
Tube Type	MicroChannel	MicroChannel	MicroChannel	MicroChannel
MicroChannel Depth in. [mm]	0.7 [17.8]	0.7 [17.8]	0.7 [17.8]	0.7 [17.8]
Face Area sq. ft. [sq. m]	16.3 [1.51]	16.3 [1.51]	16.3 [1.51]	16.3 [1.51]
Rows / FPI [FPcm]	1 / 23 [9]	1 / 23 [9]	1 / 23 [9]	1 / 23 [9]
Indoor Coil—Fin Type	Louvered	Louvered	Louvered	Louvered
Tube Type	MicroChannel	MicroChannel	MicroChannel	MicroChannel
MicroChannel Depth in. [mm]	1.26 [32]	1.26 [32]	1.26 [32]	1.26 [32]
Face Area sq. ft. [sq. m]	4.1 [0.38]	4.1 [0.38]	4.1 [0.38]	4.1 [0.38]
Rows / FPI [FPcm]	1 / 20 [8]	1 / 20 [8]	1 / 20 [8]	1 / 20 [8]
Refrigerant Control	TX Valves	TX Valves	TX Valves	TX Valves
Drain Connection No./Size in. [mm]	1/0.75 [19.05]	1/0.75 [19.05]	1/0.75 [19.05]	1/0.75 [19.05]
Outdoor Fan—Type	Propeller	Propeller	Propeller	Propeller
No. Used/Diameter in. [mm]	1/22 [558.8]	1/22 [558.8]	1/22 [558.8]	1/22 [558.8]
Drive Type/No. Speeds	Direct/1	Direct/1	Direct/1	Direct/1
CFM [L/s]	3300 [1557]	3300 [1557]	3300 [1557]	3300 [1557]
No. Motors/HP	1 at 1/3 HP	1 at 1/3 HP	1 at 1/3 HP	1 at 1/3 HP
Motor RPM	1075	1075	1075	1075
Indoor Fan—Type	FC Centrifugal	FC Centrifugal	FC Centrifugal	FC Centrifugal
No. Used/Diameter in. [mm]	1/12x9 [305x229]	1/12x9 [305x229]	1/12x9 [305x229]	1/12x9 [305x229]
Drive Type	Direct	Direct	Direct	Direct
No. Speeds	Multiple	Multiple	Multiple	Multiple
No. Motors	1	1	1	1
Motor HP	3/4	3/4	3/4	3/4
Motor RPM	1075	1075	1075	1075
Motor Frame Size	48	48	48	48
Filter—Type	Field Supplied	Field Supplied	Field Supplied	Field Supplied
Furnished	No	No	No	No
(NO.) Size Recommended in. [mm x mm x mm]	(1)1x24x24 [25x610x610]	(1)1x24x24 [25x610x610]	(1)1x24x24 [25x610x610]	(1)1x24x24 [25x610x610]
Refrigerant Charge Oz. [g]	85.3 [2418]	85.3 [2418]	85.3 [2418]	85.3 [2418]
Weights				
Net Weight lbs. [kg]	497 [225]	492 [223]	492 [223]	497 [225]
Ship Weight lbs. [kg]	507 [230]	502 [228]	502 [228]	507 [230]

See Page 31 for Notes.

[] Designates Metric Conversions

NOMINAL SIZES 2-5 TONS [7.0-17.6 kW]

Model RGEA15 Series	048AJT10XAA	060ACT101AA	060ADT101AA	060AJT101AA
Cooling Performance¹				CONTINUED →
Gross Cooling Capacity Btu [kW]	47,500 [13.92]	59,500 [17.43]	59,500 [17.43]	59,500 [17.43]
EER/SEER ²	12/15	15	15	15
Nominal CFM/AHRI Rated CFM [L/s]	1600/1550 [755/731]	20.9/11.4	20/11	20/11
AHRI Net Cooling Capacity Btu [kW]	46,000 [13.48]	1250/1850 [590/873]	1250/1850 [590/873]	1250/1850 [590/873]
Net Sensible Capacity Btu [kW]	33,000 [9.67]	49,500/57,000 [14.5/16.7]	49,500/57,000 [14.5/16.7]	49,500/57,000 [14.5/16.7]
Net Latent Capacity Btu [kW]	13,000 [3.81]	33,800/40,700 [9.9/11.92]	33,800/40,700 [9.9/11.92]	33,800/40,700 [9.9/11.92]
Net System Power kW	3.66	15,700/16,300 [4.6/4.78]	15,700/16,300 [4.6/4.78]	15,700/16,300 [4.6/4.78]
Heating Performance (Gas)³		2.14/5.02	2.14/5.02	2.14/5.02
Heating Input Btu [kW]	100,000 [29.3]	100,000 [29.3]	100,000 [29.3]	100,000 [29.3]
Heating Output Btu [kW]	80,000 [23.44]	81,000 [23.73]	81,000 [23.73]	80,000 [23.44]
Temperature Rise Range °F [°C]	45-75 [25-41.7]	45-75 [25-41.7]	45-75 [25-41.7]	45-75 [25-41.7]
AFUE % ⁴	81	81	81	81
Steady State Efficiency (%)	82.01	82.01	82	82
No. Burners	4	5	5	5
No. Stages	1	1	1	1
Gas Connection Pipe Size in. [mm]	0.5 [12.7]	0.5 [12.7]	0.5 [12.7]	0.5 [12.7]
Compressor				
No./Type	1/Scroll	1/Scroll	1/Scroll	1/Scroll
Outdoor Sound Rating (dB)⁵	78	78	78	78
Outdoor Coil—Fin Type	Louvered	Louvered	Louvered	Louvered
Tube Type	MicroChannel	MicroChannel	MicroChannel	MicroChannel
MicroChannel Depth in. [mm]	0.7 [17.8]	1 [25.4]	1 [25.4]	1 [25.4]
Face Area sq. ft. [sq. m]	16.3 [1.51]	15.3 [1.42]	15.3 [1.42]	15.3 [1.42]
Rows / FPI [FPcm]	1 / 23 [9]	1 / 23 [9]	1 / 23 [9]	1 / 23 [9]
Indoor Coil—Fin Type	Louvered	Louvered	Louvered	Louvered
Tube Type	MicroChannel	MicroChannel	MicroChannel	MicroChannel
MicroChannel Depth in. [mm]	1.26 [32]	1.26 [32]	1.26 [32]	1.26 [32]
Face Area sq. ft. [sq. m]	4.1 [0.38]	4 [0.37]	4 [0.37]	4 [0.37]
Rows / FPI [FPcm]	1 / 20 [8]	1 / 20 [8]	1 / 20 [8]	1 / 20 [8]
Refrigerant Control	TX Valves	TX Valves	TX Valves	TX Valves
Drain Connection No./Size in. [mm]	1/0.75 [19.05]	1/0.75 [19.05]	1/0.75 [19.05]	1/0.75 [19.05]
Outdoor Fan—Type	Propeller	Propeller	Propeller	Propeller
No. Used/Diameter in. [mm]	1/22 [558.8]	1/22 [558.8]	1/22 [558.8]	1/22 [558.8]
Drive Type/No. Speeds	Direct/1	Direct/1	Direct/1	Direct/1
CFM [L/s]	3300 [1557]	3300 [1557]	3300 [1557]	3300 [1557]
No. Motors/HP	1 at 1/3 HP	1 at 1/3 HP	1 at 1/3 HP	1 at 1/3 HP
Motor RPM	1075	1075	1075	1075
Indoor Fan—Type	FC Centrifugal	FC Centrifugal	FC Centrifugal	FC Centrifugal
No. Used/Diameter in. [mm]	1/12x9 [305x229]	1/12x9 [305x229]	1/12x9 [305x229]	1/12x9 [305x229]
Drive Type	Direct	Direct	Direct	Direct
No. Speeds	Multiple	Multiple	Multiple	Multiple
No. Motors	1	1	1	1
Motor HP	3/4	1	1	1
Motor RPM	1075	1075	1075	1075
Motor Frame Size	48	48	48	48
Filter—Type	Field Supplied	Field Supplied	Field Supplied	Field Supplied
Furnished	No	No	No	No
(NO.) Size Recommended in. [mm x mm x mm]	(1)1x24x24 [25x610x610]	(1)1x24x30 [25x610x762]	(1)1x24x30 [25x610x762]	(1)1x24x30 [25x610x762]
Refrigerant Charge Oz. [g]	85.3 [2418]	89.6 [2540]	89.6 [2540]	89.6 [2540]
Weights				
Net Weight lbs. [kg]	497 [225]	515 [234]	515 [234]	515 [234]
Ship Weight lbs. [kg]	507 [230]	525 [238]	525 [238]	525 [238]

See Page 31 for Notes.

[] Designates Metric Conversions

NOMINAL SIZES 2-5 TONS [7.0-17.6 kW]

Model RGEA15 Series	060AJT10XAA
Cooling Performance¹	
Gross Cooling Capacity Btu [kW]	59,500 [17.43]
EER/SEER ²	15
Nominal CFM/AHRI Rated CFM [L/s]	20/11
AHRI Net Cooling Capacity Btu [kW]	1250/1850 [590/873]
Net Sensible Capacity Btu [kW]	49,500/57,000 [14.5/16.7]
Net Latent Capacity Btu [kW]	33,800/40,700 [9.9/11.92]
Net System Power kW	15,700/16,300 [4.6/4.78]
Heating Performance (Gas)³	
Heating Input Btu [kW]	100,000 [29.3]
Heating Output Btu [kW]	80,000 [23.44]
Temperature Rise Range °F [°C]	45-75 [25-41.7]
AFUE % ⁴	81
Steady State Efficiency (%)	82
No. Burners	5
No. Stages	1
Gas Connection Pipe Size in. [mm]	0.5 [12.7]
Compressor	
No./Type	1/Scroll
Outdoor Sound Rating (dB)⁵	
78	
Outdoor Coil—Fin Type	
Tube Type	Louvered
MicroChannel Depth in. [mm]	MicroChannel
Face Area sq. ft. [sq. m]	1 [25.4]
Rows / FPI [FPcm]	15.3 [1.42]
	1 / 23 [9]
Indoor Coil—Fin Type	
Tube Type	Louvered
MicroChannel Depth in. [mm]	MicroChannel
Face Area sq. ft. [sq. m]	1.26 [32]
Rows / FPI [FPcm]	4 [0.37]
	1 / 20 [8]
Refrigerant Control	TX Valves
Drain Connection No./Size in. [mm]	1/0.75 [19.05]
Outdoor Fan—Type	
No. Used/Diameter in. [mm]	Propeller
Drive Type/No. Speeds	1/22 [558.8]
CFM [L/s]	Direct/1
No. Motors/HP	3300 [1557]
Motor RPM	1 at 1/3 HP
	1075
Indoor Fan—Type	
No. Used/Diameter in. [mm]	FC Centrifugal
Drive Type	1/12x9 [305x229]
No. Speeds	Direct
No. Motors	Multiple
Motor HP	1
Motor RPM	1
Motor Frame Size	1075
	48
Filter—Type	
Furnished	Field Supplied
(NO.) Size Recommended in. [mm x mm x mm]	No
	(1)1x24x30 [25x610x762]
Refrigerant Charge Oz. [g]	
	89.6 [2540]
Weights	
Net Weight lbs. [kg]	515 [234]
Ship Weight lbs. [kg]	525 [238]

See Page 31 for Notes.

[] Designates Metric Conversions

NOTES:

1. Cooling Performance is rated at 95° F ambient, 80° F entering dry bulb, 67° F entering wet bulb. Gross capacity does not include the effect of fan motor heat. AHRI capacity is net and includes the effect of fan motor heat. Units are suitable for operation in CFM range shown in airflow tables. Units are certified in accordance with the Unitary Air Conditioner Equipment certification program, which is based on AHRI Standard 210/240 or 360.
2. EER and/or SEER are rated at AHRI conditions and in accordance with DOE test procedures.
3. Heating Performance limit settings and rating data were established and approved under laboratory test conditions using American National Standard Institute standards. Ratings shown are for elevations up to 2000 feet. For elevations above 2000 feet, ratings should be reduced at the rate of 4% for each 1000 feet above sea level.
4. AFUE is rated in accordance with DOE test procedures.
5. Outdoor Sound Rating shown is tested in accordance with AHRI Standard 270.



GROSS SYSTEMS PERFORMANCE DATA—RGEA13036A

ENTERING INDOOR AIR @ 80°F [26.7°C] dbE ①											
wbE		71°F [21.7°C]			67°F [19.4°C]			63°F [17.2°C]			
CFM [L/s]		1320 [623]	1200 [566]	1020 [481]	1320 [623]	1200 [566]	1020 [481]	1320 [623]	1200 [566]	1020 [481]	
DR ①		0.23	0.21	0.18	0.23	0.21	0.18	0.23	0.21	0.18	
OUTDOOR DRY BULB TEMPERATURE °F [°C]	75 [23.9]	Total BTUH [kW] Sens BTUH [kW] Power	44.3 [13.0] 25.4 [7.4] 2.0	43.5 [12.8] 24.2 [7.1] 2.0	42.3 [12.4] 22.5 [6.6] 2.0	41.4 [12.1] 29.6 [8.7] 2.0	40.6 [11.9] 28.3 [8.3] 2.0	39.5 [11.6] 26.3 [7.7] 2.0	38.3 [11.2] 32.8 [9.6] 2.0	37.6 [11.0] 31.3 [9.2] 2.0	36.6 [10.7] 29.1 [8.5] 2.0
	80 [26.7]	Total BTUH [kW] Sens BTUH [kW] Power	43.0 [12.6] 24.7 [7.2] 2.1	42.2 [12.4] 23.6 [6.9] 2.1	41.1 [12.0] 21.9 [6.4] 2.1	40.0 [11.7] 28.9 [8.5] 2.1	39.3 [11.5] 27.6 [8.1] 2.1	38.2 [11.2] 25.7 [7.5] 2.1	37.0 [10.8] 32.1 [9.4] 2.1	36.3 [10.6] 30.7 [9.0] 2.1	35.3 [10.3] 28.5 [8.4] 2.1
	85 [29.4]	Total BTUH [kW] Sens BTUH [kW] Power	41.7 [12.2] 24.0 [7.0] 2.3	40.9 [12.0] 22.9 [6.7] 2.2	39.8 [11.7] 21.3 [6.2] 2.2	38.7 [11.3] 28.2 [8.3] 2.2	38.0 [11.1] 27.0 [7.9] 2.2	37.0 [10.8] 25.1 [7.3] 2.2	35.6 [10.4] 31.4 [9.2] 2.2	35.0 [10.3] 30.0 [8.8] 2.2	34.0 [10.0] 27.9 [8.2] 2.2
	90 [32.2]	Total BTUH [kW] Sens BTUH [kW] Power	40.3 [11.8] 23.2 [6.8] 2.4	39.6 [11.6] 22.2 [6.5] 2.4	38.5 [11.3] 20.7 [6.1] 2.3	37.3 [10.9] 27.5 [8.1] 2.4	36.7 [10.7] 26.3 [7.7] 2.4	35.7 [10.5] 24.4 [7.2] 2.3	34.3 [10.0] 30.7 [9.0] 2.4	33.7 [9.9] 29.3 [8.6] 2.4	32.7 [9.6] 27.3 [8.0] 2.3
	95 [35]	Total BTUH [kW] Sens BTUH [kW] Power	38.9 [11.4] 22.5 [6.6] 2.5	38.3 [11.2] 21.5 [6.3] 2.5	37.2 [10.9] 20.0 [5.9] 2.5	36.0 [10.5] 26.7 [7.8] 2.5	35.3 [10.4] 25.5 [7.5] 2.5	34.4 [10.1] 23.7 [7.0] 2.5	32.9 [9.6] 29.9 [8.8] 2.5	32.3 [9.5] 28.6 [8.4] 2.5	31.4 [9.2] 26.6 [7.8] 2.5
	100 [37.8]	Total BTUH [kW] Sens BTUH [kW] Power	37.6 [11.0] 21.7 [6.4] 2.7	36.9 [10.8] 20.7 [6.1] 2.7	35.9 [10.5] 19.3 [5.7] 2.6	34.6 [10.1] 25.9 [7.6] 2.7	34.0 [10.0] 24.8 [7.3] 2.7	33.0 [9.7] 23.0 [6.8] 2.6	31.5 [9.2] 29.1 [8.5] 2.7	30.9 [9.1] 27.8 [8.2] 2.6	30.1 [8.8] 25.9 [7.6] 2.6
	105 [40.6]	Total BTUH [kW] Sens BTUH [kW] Power	36.1 [10.6] 20.9 [6.1] 2.9	35.5 [10.4] 20.0 [5.8] 2.8	34.5 [10.1] 18.6 [5.4] 2.8	33.2 [9.7] 25.1 [7.4] 2.8	32.6 [9.5] 24.0 [7.0] 2.8	31.7 [9.3] 22.3 [6.5] 2.8	30.1 [8.8] 28.3 [8.3] 2.8	29.6 [8.7] 27.1 [7.9] 2.8	28.7 [8.4] 25.2 [7.4] 2.8
	110 [43.3]	Total BTUH [kW] Sens BTUH [kW] Power	34.7 [10.2] 20.1 [5.9] 3.0	34.1 [10.0] 19.2 [5.6] 3.0	33.2 [9.7] 17.8 [5.2] 3.0	31.7 [9.3] 24.3 [7.1] 3.0	31.2 [9.1] 23.2 [6.8] 3.0	30.3 [8.9] 21.6 [6.3] 3.0	28.7 [8.4] 27.5 [8.1] 3.0	28.2 [8.3] 26.3 [7.7] 3.0	27.4 [8.0] 24.4 [7.2] 3.0
	115 [46.1]	Total BTUH [kW] Sens BTUH [kW] Power	33.3 [9.8] 19.2 [5.6] 3.2	32.7 [9.6] 18.3 [5.4] 3.2	31.8 [9.3] 17.0 [5.0] 3.2	30.3 [8.9] 23.4 [6.9] 3.2	29.8 [8.7] 22.4 [6.6] 3.2	28.9 [8.5] 20.8 [6.1] 3.2	27.2 [8.0] 26.6 [7.8] 3.2	26.7 [7.8] 25.4 [7.5] 3.2	26.0 [7.6] 23.7 [6.9] 3.1
	120 [48.9]	Total BTUH [kW] Sens BTUH [kW] Power	31.8 [9.3] 18.3 [5.4] 3.4	31.2 [9.2] 17.5 [5.1] 3.4	30.4 [8.9] 16.3 [4.8] 3.4	28.8 [8.5] 22.5 [6.6] 3.4	28.3 [8.3] 21.5 [6.3] 3.4	27.5 [8.1] 20.0 [5.9] 3.4	25.8 [7.5] 25.7 [7.5] 3.4	25.3 [7.4] 24.6 [7.2] 3.4	24.6 [7.2] 22.9 [6.7] 3.3
	125 [51.7]	Total BTUH [kW] Sens BTUH [kW] Power	30.3 [8.9] 17.4 [5.1] 3.6	29.8 [8.7] 16.6 [4.9] 3.6	29.0 [8.5] 15.4 [4.5] 3.6	27.4 [8.0] 21.6 [6.3] 3.6	26.9 [7.9] 20.7 [6.1] 3.6	26.1 [7.7] 19.2 [5.6] 3.6	24.3 [7.1] 24.3 [7.1] 3.6	23.8 [7.0] 23.7 [6.9] 3.6	23.2 [6.8] 22.0 [6.5] 3.6

DR —Depression ratio
dbE —Entering air dry bulb
wbE—Entering air wet bulb

Total —Total capacity x 1000 BTUH
Sens —Sensible capacity x 1000 BTUH
Power —kW input

NOTES: ① When the entering air dry bulb is other than 80°F [27°C], adjust the sensible capacity from the table by adding [1.10 x CFM x (1 – DR) x (dbE – 80)].

[] Designates Metric Conversions





GROSS SYSTEMS PERFORMANCE DATA—RGEA13042A

ENTERING INDOOR AIR @ 80°F [26.7°C] dbE ①											
wbE		71°F [21.7°C]			67°F [19.4°C]			63°F [17.2°C]			
CFM [L/s]		1430 [675]	1300 [614]	1100 [519]	1430 [675]	1300 [614]	1100 [519]	1430 [675]	1300 [614]	1100 [519]	
DR ①		0.15	0.14	0.1	0.15	0.14	0.1	0.15	0.14	0.1	
OUTDOOR DRY BULB TEMPERATURE °F [°C]	75 [23.9]	Total BTUH [kW] Sens BTUH [kW] Power	50.0 [14.7] 29.2 [8.5] 2.4	49.1 [14.4] 27.9 [8.2] 2.4	47.7 [14.0] 25.9 [7.6] 2.3	47.3 [13.9] 34.3 [10.0] 2.4	46.4 [13.6] 32.7 [9.6] 2.3	45.1 [13.2] 30.4 [8.9] 2.3	44.3 [13.0] 38.5 [11.3] 2.3	43.5 [12.8] 36.8 [10.8] 2.3	42.3 [12.4] 34.2 [10.0] 2.3
	80 [26.7]	Total BTUH [kW] Sens BTUH [kW] Power	48.7 [14.3] 28.5 [8.4] 2.5	47.9 [14.0] 27.3 [8.0] 2.5	46.5 [13.6] 25.3 [7.4] 2.5	46.0 [13.5] 33.7 [9.9] 2.5	45.2 [13.2] 32.2 [9.4] 2.5	43.9 [12.9] 29.8 [8.7] 2.4	43.0 [12.6] 37.9 [11.1] 2.5	42.3 [12.4] 36.2 [10.6] 2.5	41.1 [12.0] 33.6 [9.9] 2.4
	85 [29.4]	Total BTUH [kW] Sens BTUH [kW] Power	47.4 [13.9] 27.9 [8.2] 2.7	46.6 [13.6] 26.6 [7.8] 2.6	45.2 [13.3] 24.7 [7.2] 2.6	44.7 [13.1] 33.0 [9.7] 2.6	43.9 [12.9] 31.5 [9.2] 2.6	42.6 [12.5] 29.3 [8.6] 2.6	41.7 [12.2] 37.2 [10.9] 2.6	41.0 [12.0] 35.6 [10.4] 2.6	39.8 [11.7] 33.0 [9.7] 2.6
	90 [32.2]	Total BTUH [kW] Sens BTUH [kW] Power	46.0 [13.5] 27.2 [8.0] 2.8	45.2 [13.2] 26.0 [7.6] 2.8	43.9 [12.9] 24.1 [7.1] 2.8	43.3 [12.7] 32.3 [9.5] 2.8	42.5 [12.5] 30.8 [9.0] 2.8	41.3 [12.1] 28.6 [8.4] 2.7	40.3 [11.8] 36.5 [10.7] 2.8	39.6 [11.6] 34.9 [10.2] 2.8	38.5 [11.3] 32.4 [9.5] 2.7
	95 [35]	Total BTUH [kW] Sens BTUH [kW] Power	44.6 [13.1] 26.4 [7.7] 3.0	43.8 [12.8] 25.2 [7.4] 3.0	42.6 [12.5] 23.4 [6.9] 2.9	41.8 [12.3] 31.5 [9.2] 3.0	41.1 [12.0] 30.1 [8.8] 3.0	39.9 [11.7] 27.9 [8.2] 2.9	38.9 [11.4] 35.8 [10.5] 3.0	38.2 [11.2] 34.2 [10.0] 2.9	37.1 [10.9] 31.7 [9.3] 2.9
	100 [37.8]	Total BTUH [kW] Sens BTUH [kW] Power	43.1 [12.6] 25.6 [7.5] 3.2	42.3 [12.4] 24.4 [7.2] 3.1	41.1 [12.1] 22.7 [6.6] 3.1	40.4 [11.8] 30.7 [9.0] 3.2	39.6 [11.6] 29.3 [8.6] 3.1	38.5 [11.3] 27.2 [8.0] 3.1	37.4 [11.0] 34.9 [10.2] 3.1	36.7 [10.8] 33.4 [9.8] 3.1	35.7 [10.5] 31.0 [9.1] 3.1
	105 [40.6]	Total BTUH [kW] Sens BTUH [kW] Power	41.6 [12.2] 24.7 [7.2] 3.4	40.8 [12.0] 23.6 [6.9] 3.3	39.7 [11.6] 21.9 [6.4] 3.3	38.8 [11.4] 29.8 [8.7] 3.3	38.1 [11.2] 28.5 [8.3] 3.3	37.1 [10.9] 26.4 [7.7] 3.3	35.9 [10.5] 34.1 [10.0] 3.3	35.2 [10.3] 32.5 [9.5] 3.3	34.3 [10.0] 30.2 [8.8] 3.3
	110 [43.3]	Total BTUH [kW] Sens BTUH [kW] Power	40.0 [11.7] 23.8 [7.0] 3.6	39.3 [11.5] 22.7 [6.7] 3.5	38.2 [11.2] 21.1 [6.2] 3.5	37.2 [10.9] 28.9 [8.5] 3.5	36.6 [10.7] 27.6 [8.1] 3.5	35.6 [10.4] 25.6 [7.5] 3.5	34.3 [10.0] 33.1 [9.7] 3.5	33.7 [9.9] 31.6 [9.3] 3.5	32.7 [9.6] 29.4 [8.6] 3.5
	115 [46.1]	Total BTUH [kW] Sens BTUH [kW] Power	38.3 [11.2] 22.8 [6.7] 3.8	37.7 [11.0] 21.8 [6.4] 3.7	36.6 [10.7] 20.2 [5.9] 3.7	35.6 [10.4] 27.9 [8.2] 3.8	35.0 [10.2] 26.6 [7.8] 3.7	34.0 [10.0] 24.7 [7.2] 3.7	32.7 [9.6] 32.1 [9.4] 3.7	32.1 [9.4] 30.7 [9.0] 3.7	31.2 [9.1] 28.5 [8.4] 3.7
	120 [48.9]	Total BTUH [kW] Sens BTUH [kW] Power	36.7 [10.7] 21.7 [6.4] 4.0	36.0 [10.6] 20.8 [6.1] 4.0	35.0 [10.3] 19.3 [5.6] 3.9	33.9 [9.9] 26.8 [7.9] 4.0	33.3 [9.8] 25.6 [7.5] 3.9	32.4 [9.5] 23.8 [7.0] 3.9	31.0 [9.1] 31.0 [9.1] 4.0	30.4 [8.9] 29.7 [8.7] 3.9	29.6 [8.7] 27.6 [8.1] 3.9
125 [51.7]	Total BTUH [kW] Sens BTUH [kW] Power	34.9 [10.2] 20.6 [6.1] 4.2	34.3 [10.1] 19.7 [5.8] 4.2	33.3 [9.8] 18.3 [5.4] 4.1	32.2 [9.4] 25.8 [7.5] 4.2	31.6 [9.3] 24.6 [7.2] 4.2	30.7 [9.0] 22.8 [6.7] 4.1	29.2 [8.6] 29.2 [8.6] 4.2	28.7 [8.4] 28.7 [8.4] 4.1	27.9 [8.2] 26.6 [7.8] 4.1	

DR —Depression ratio
dbE —Entering air dry bulb
wbE—Entering air wet bulb

Total —Total capacity x 1000 BTUH
Sens —Sensible capacity x 1000 BTUH
Power —KW input

NOTES: ① When the entering air dry bulb is other than 80°F [27°C], adjust the sensible capacity from the table by adding [1.10 x CFM x (1 - DR) x (dbE - 80)].

[] Designates Metric Conversions





GROSS SYSTEMS PERFORMANCE DATA—RGEA13048A

		ENTERING INDOOR AIR @ 80°F [26.7°C] dbE ①									
wbE		71°F [21.7°C]			67°F [19.4°C]			63°F [17.2°C]			
CFM [L/s]		1700 [802]	1550 [732]	1320 [623]	1700 [802]	1550 [732]	1320 [623]	1700 [802]	1550 [732]	1320 [623]	
DR ①		0.21	0.19	0.17	0.21	0.19	0.17	0.21	0.19	0.17	
OUTDOOR DRY BULB TEMPERATURE °F [°C]	75 [23.9]	Total BTUH [kW] Sens BTUH [kW] Power	58.8 [17.2] 33.0 [9.7] 2.8	57.8 [16.9] 31.6 [9.3] 2.8	56.3 [16.5] 29.4 [8.6] 2.7	55.4 [16.2] 39.1 [11.5] 2.8	54.4 [15.9] 37.4 [11.0] 2.7	53.0 [15.5] 34.8 [10.2] 2.7	52.6 [15.4] 45.0 [13.2] 2.7	51.7 [15.1] 43.0 [12.6] 2.7	50.3 [14.7] 40.1 [11.7] 2.7
	80 [26.7]	Total BTUH [kW] Sens BTUH [kW] Power	57.1 [16.7] 32.2 [9.4] 2.9	56.1 [16.4] 30.8 [9.0] 2.9	54.6 [16.0] 28.7 [8.4] 2.9	53.6 [15.7] 38.3 [11.2] 2.9	52.7 [15.4] 36.6 [10.7] 2.9	51.3 [15.0] 34.1 [10.0] 2.9	50.8 [14.9] 44.2 [12.9] 2.9	49.9 [14.6] 42.3 [12.4] 2.9	48.6 [14.2] 39.3 [11.5] 2.8
	85 [29.4]	Total BTUH [kW] Sens BTUH [kW] Power	55.3 [16.2] 31.4 [9.2] 3.1	54.4 [15.9] 30.0 [8.8] 3.1	52.9 [15.5] 27.9 [8.2] 3.0	51.9 [15.2] 37.4 [11.0] 3.1	51.0 [14.9] 35.8 [10.5] 3.1	49.6 [14.5] 33.3 [9.8] 3.0	49.1 [14.4] 43.3 [12.7] 3.1	48.2 [14.1] 41.4 [12.1] 3.0	46.9 [13.7] 38.6 [11.3] 3.0
	90 [32.2]	Total BTUH [kW] Sens BTUH [kW] Power	53.6 [15.7] 30.4 [8.9] 3.3	52.6 [15.4] 29.1 [8.5] 3.3	51.2 [15.0] 27.1 [7.9] 3.2	50.1 [14.7] 36.5 [10.7] 3.3	49.2 [14.4] 34.9 [10.2] 3.2	47.9 [14.0] 32.5 [9.5] 3.2	47.3 [13.9] 42.4 [12.4] 3.2	46.5 [13.6] 40.6 [11.9] 3.2	45.2 [13.3] 37.8 [11.1] 3.2
	95 [35]	Total BTUH [kW] Sens BTUH [kW] Power	51.8 [15.2] 29.5 [8.6] 3.5	50.9 [14.9] 28.2 [8.3] 3.5	49.5 [14.5] 26.3 [7.7] 3.4	48.4 [14.2] 35.6 [10.4] 3.5	47.5 [13.9] 34.0 [10.0] 3.4	46.3 [13.6] 31.7 [9.3] 3.4	45.6 [13.4] 41.5 [12.1] 3.4	44.8 [13.1] 39.7 [11.6] 3.4	43.6 [12.8] 36.9 [10.8] 3.4
	100 [37.8]	Total BTUH [kW] Sens BTUH [kW] Power	50.1 [14.7] 28.5 [8.4] 3.7	49.2 [14.4] 27.3 [8.0] 3.7	47.9 [14.0] 25.4 [7.4] 3.6	46.6 [13.7] 34.6 [10.1] 3.7	45.8 [13.4] 33.1 [9.7] 3.7	44.6 [13.1] 30.8 [9.0] 3.6	43.8 [12.8] 40.5 [11.9] 3.7	43.1 [12.6] 38.7 [11.3] 3.6	41.9 [12.3] 36.0 [10.6] 3.6
	105 [40.6]	Total BTUH [kW] Sens BTUH [kW] Power	48.4 [14.2] 27.5 [8.1] 4.0	47.5 [13.9] 26.3 [7.7] 3.9	46.2 [13.5] 24.5 [7.2] 3.9	44.9 [13.2] 33.6 [9.8] 3.9	44.1 [12.9] 32.1 [9.4] 3.9	42.9 [12.6] 29.9 [8.8] 3.8	42.1 [12.3] 39.4 [11.6] 3.9	41.4 [12.1] 37.7 [11.1] 3.9	40.3 [11.8] 35.1 [10.3] 3.8
	110 [43.3]	Total BTUH [kW] Sens BTUH [kW] Power	46.6 [13.7] 26.4 [7.7] 4.2	45.8 [13.4] 25.3 [7.4] 4.2	44.6 [13.1] 23.5 [6.9] 4.1	43.2 [12.7] 32.5 [9.5] 4.2	42.4 [12.4] 31.1 [9.1] 4.2	41.3 [12.1] 28.9 [8.5] 4.1	40.4 [11.8] 38.4 [11.2] 4.2	39.7 [11.6] 36.7 [10.8] 4.1	38.6 [11.3] 34.2 [10.0] 4.1
	115 [46.1]	Total BTUH [kW] Sens BTUH [kW] Power	44.9 [13.2] 25.3 [7.4] 4.5	44.1 [12.9] 24.2 [7.1] 4.5	42.9 [12.6] 22.6 [6.6] 4.4	41.5 [12.2] 31.4 [9.2] 4.5	40.8 [11.9] 30.0 [8.8] 4.4	39.7 [11.6] 28.0 [8.2] 4.4	38.7 [11.3] 37.3 [10.9] 4.4	38.0 [11.1] 35.7 [10.5] 4.4	37.0 [10.8] 33.2 [9.7] 4.4
	120 [48.9]	Total BTUH [kW] Sens BTUH [kW] Power	43.2 [12.7] 24.2 [7.1] 4.8	42.5 [12.4] 23.1 [6.8] 4.8	41.3 [12.1] 21.5 [6.3] 4.7	39.8 [11.7] 30.3 [8.9] 4.8	39.1 [11.4] 28.9 [8.5] 4.7	38.0 [11.1] 26.9 [7.9] 4.7	37.0 [10.8] 36.1 [10.6] 4.7	36.3 [10.6] 34.6 [10.1] 4.7	35.3 [10.4] 32.2 [9.4] 4.6
	125 [51.7]	Total BTUH [kW] Sens BTUH [kW] Power	41.5 [12.2] 23.0 [6.7] 5.1	40.8 [12.0] 22.0 [6.4] 5.1	39.7 [11.6] 20.5 [6.0] 5.0	38.1 [11.2] 29.1 [8.5] 5.1	37.4 [11.0] 27.8 [8.2] 5.0	36.4 [10.7] 25.9 [7.6] 5.0	35.3 [10.3] 35.0 [10.2] 5.1	34.6 [10.2] 33.4 [9.8] 5.0	33.7 [9.9] 31.1 [9.1] 5.0

DR —Depression ratio
dbE —Entering air dry bulb
wbE —Entering air wet bulb

Total —Total capacity x 1000 BTUH
Sens —Sensible capacity x 1000 BTUH
Power —kW input

NOTES: ① When the entering air dry bulb is other than 80°F [27°C], adjust the sensible capacity from the table by adding [1.10 x CFM x (1 - DR) x (dbE - 80)].

[] Designates Metric Conversions





GROSS SYSTEMS PERFORMANCE DATA—RGEA13060A

ENTERING INDOOR AIR @ 80°F [26.7°C] dbE ①											
wbE		71°F [21.7°C]			67°F [19.4°C]			63°F [17.2°C]			
CFM [L/s]		1870 [883]	1700 [802]	1440 [680]	1870 [883]	1700 [802]	1440 [680]	1870 [883]	1700 [802]	1440 [680]	
DR ①		0.14	0.13	0.11	0.14	0.13	0.11	0.14	0.13	0.11	
OUTDOOR DRY BULB TEMPERATURE °F [°C]	75 [23.9]	Total BTUH [kW]	72.1 [21.1]	70.8 [20.7]	68.8 [20.2]	67.8 [19.9]	66.6 [19.5]	64.7 [19.0]	63.6 [18.6]	62.4 [18.3]	60.7 [17.8]
		Sens BTUH [kW]	40.6 [11.9]	38.8 [11.4]	36.0 [10.6]	47.8 [14.0]	45.7 [13.4]	42.4 [12.4]	54.4 [16.0]	52.0 [15.2]	48.3 [14.2]
		Power	3.5	3.5	3.5	3.5	3.5	3.4	3.5	3.5	3.4
	80 [26.7]	Total BTUH [kW]	70.3 [20.6]	69.0 [20.2]	67.1 [19.7]	66.0 [19.3]	64.8 [19.0]	63.0 [18.5]	61.8 [18.1]	60.7 [17.8]	59.0 [17.3]
		Sens BTUH [kW]	39.6 [11.6]	37.8 [11.1]	35.1 [10.3]	46.7 [13.7]	44.7 [13.1]	41.5 [12.2]	53.4 [15.6]	51.0 [15.0]	47.4 [13.9]
		Power	3.7	3.7	3.7	3.7	3.7	3.6	3.7	3.6	3.6
	85 [29.4]	Total BTUH [kW]	68.4 [20.0]	67.1 [19.7]	65.3 [19.1]	64.1 [18.8]	62.9 [18.4]	61.2 [17.9]	59.9 [17.5]	58.8 [17.2]	57.2 [16.7]
		Sens BTUH [kW]	38.5 [11.3]	36.8 [10.8]	34.1 [10.0]	45.7 [13.4]	43.6 [12.8]	40.5 [11.9]	52.3 [15.3]	50.0 [14.6]	46.4 [13.6]
		Power	4.0	3.9	3.9	3.9	3.9	3.8	3.9	3.9	3.8
	90 [32.2]	Total BTUH [kW]	66.4 [19.5]	65.2 [19.1]	63.4 [18.6]	62.1 [18.2]	61.0 [17.9]	59.3 [17.4]	57.9 [17.0]	56.8 [16.7]	55.3 [16.2]
		Sens BTUH [kW]	37.3 [10.9]	35.7 [10.5]	33.1 [9.7]	44.5 [13.1]	42.6 [12.5]	39.5 [11.6]	51.2 [15.0]	48.9 [14.3]	45.4 [13.3]
		Power	4.2	4.1	4.1	4.2	4.1	4.1	4.1	4.1	4.0
95 [35]	Total BTUH [kW]	64.3 [18.8]	63.2 [18.5]	61.4 [18.0]	60.0 [17.6]	58.9 [17.3]	57.3 [16.8]	55.8 [16.4]	54.8 [16.1]	53.3 [15.6]	
	Sens BTUH [kW]	36.2 [10.6]	34.6 [10.1]	32.1 [9.4]	43.4 [12.7]	41.4 [12.1]	38.5 [11.3]	50.0 [14.7]	47.8 [14.0]	44.4 [13.0]	
	Power	4.4	4.4	4.3	4.4	4.4	4.3	4.4	4.3	4.3	
100 [37.8]	Total BTUH [kW]	62.1 [18.2]	61.0 [17.9]	59.3 [17.4]	57.9 [17.0]	56.8 [16.7]	55.2 [16.2]	53.6 [15.7]	52.7 [15.4]	51.2 [15.0]	
	Sens BTUH [kW]	35.0 [10.3]	33.4 [9.8]	31.0 [9.1]	42.2 [12.4]	40.3 [11.8]	37.4 [11.0]	48.8 [14.3]	46.7 [13.7]	43.3 [12.7]	
	Power	4.7	4.7	4.6	4.7	4.6	4.6	4.7	4.6	4.5	
105 [40.6]	Total BTUH [kW]	59.9 [17.5]	58.8 [17.2]	57.2 [16.8]	55.6 [16.3]	54.6 [16.0]	53.1 [15.6]	51.4 [15.1]	50.5 [14.8]	49.1 [14.4]	
	Sens BTUH [kW]	33.8 [9.9]	32.3 [9.5]	30.0 [8.8]	41.0 [12.0]	39.1 [11.5]	36.3 [10.6]	47.6 [14.0]	45.5 [13.3]	42.2 [12.4]	
	Power	5.0	5.0	4.9	5.0	4.9	4.9	4.9	4.9	4.8	
110 [43.3]	Total BTUH [kW]	57.6 [16.9]	56.5 [16.6]	55.0 [16.1]	53.3 [15.6]	52.3 [15.3]	50.9 [14.9]	49.0 [14.4]	48.2 [14.1]	46.8 [13.7]	
	Sens BTUH [kW]	32.5 [9.5]	31.0 [9.1]	28.8 [8.4]	39.7 [11.6]	37.9 [11.1]	35.2 [10.3]	46.3 [13.6]	44.3 [13.0]	41.1 [12.0]	
	Power	5.3	5.3	5.2	5.3	5.2	5.2	5.2	5.2	5.1	
115 [46.1]	Total BTUH [kW]	55.1 [16.2]	54.1 [15.9]	52.6 [15.4]	50.8 [14.9]	49.9 [14.6]	48.5 [14.2]	46.6 [13.7]	45.8 [13.4]	44.5 [13.0]	
	Sens BTUH [kW]	31.2 [9.1]	29.8 [8.7]	27.7 [8.1]	38.4 [11.2]	36.7 [10.7]	34.0 [10.0]	45.0 [13.2]	43.0 [12.6]	40.0 [11.7]	
	Power	5.6	5.6	5.5	5.6	5.5	5.5	5.6	5.5	5.4	
120 [48.9]	Total BTUH [kW]	52.6 [15.4]	51.7 [15.1]	50.2 [14.7]	48.3 [14.2]	47.5 [13.9]	46.1 [13.5]	44.1 [12.9]	43.3 [12.7]	42.1 [12.3]	
	Sens BTUH [kW]	29.8 [8.7]	28.5 [8.4]	26.5 [7.8]	37.0 [10.8]	35.4 [10.4]	32.8 [9.6]	43.7 [12.8]	41.7 [12.2]	38.8 [11.4]	
	Power	6.0	5.9	5.8	5.9	5.9	5.8	5.9	5.9	5.8	
125 [51.7]	Total BTUH [kW]	50.0 [14.7]	49.1 [14.4]	47.8 [14.0]	45.7 [13.4]	44.9 [13.2]	43.7 [12.8]	41.5 [12.2]	40.8 [11.9]	39.6 [11.6]	
	Sens BTUH [kW]	28.5 [8.3]	27.2 [8.0]	25.2 [7.4]	35.6 [10.4]	34.1 [10.0]	31.6 [9.3]	41.5 [12.2]	40.4 [11.8]	37.5 [11.0]	
	Power	6.3	6.3	6.2	6.3	6.2	6.2	6.3	6.2	6.1	

DR —Depression ratio
dbE —Entering air dry bulb
wbE—Entering air wet bulb

Total —Total capacity x 1000 BTUH
Sens —Sensible capacity x 1000 BTUH
Power —KW input

NOTES: ① When the entering air dry bulb is other than 80°F [27°C], adjust the sensible capacity from the table by adding [1.10 x CFM x (1 - DR) x (dbE - 80)].

[] Designates Metric Conversions



GROSS SYSTEMS PERFORMANCE DATA—RGEA14024A

ENTERING INDOOR AIR @ 80°F [26.7°C] dbE ①											
wbE		71°F [21.7°C]			67°F [19.4°C]			63°F [17.2°C]			
CFM [L/s]		990 [467]	900 [425]	760 [359]	990 [467]	900 [425]	760 [359]	990 [467]	900 [425]	760 [359]	
DR ①		0.18	0.15	0.12	0.18	0.15	0.12	0.18	0.15	0.12	
OUTDOOR DRY BULB TEMPERATURE °F [°C]	75 [23.9]	Total BTUH [kW]	31.2 [9.1]	30.6 [9.0]	29.7 [8.7]	29.3 [8.6]	28.8 [8.4]	28.0 [8.2]	27.8 [8.2]	27.3 [8.0]	26.6 [7.8]
		Sens BTUH [kW]	19.3 [5.7]	18.5 [5.4]	17.1 [5.0]	22.6 [6.6]	21.6 [6.3]	20.0 [5.9]	25.3 [7.4]	24.2 [7.1]	22.5 [6.6]
		Power	1.4	1.4	1.4	1.4	1.4	1.4	1.4	1.4	1.4
	80 [26.7]	Total BTUH [kW]	30.1 [8.8]	29.6 [8.7]	28.8 [8.4]	28.3 [8.3]	27.8 [8.2]	27.0 [7.9]	26.8 [7.9]	26.3 [7.7]	25.6 [7.5]
		Sens BTUH [kW]	18.7 [5.5]	17.9 [5.2]	16.6 [4.9]	22.0 [6.4]	21.0 [6.2]	19.5 [5.7]	24.7 [7.2]	23.6 [6.9]	21.9 [6.4]
		Power	1.5	1.5	1.5	1.5	1.5	1.5	1.5	1.5	1.5
	85 [29.4]	Total BTUH [kW]	29.1 [8.5]	28.6 [8.4]	27.8 [8.1]	27.3 [8.0]	26.8 [7.9]	26.1 [7.6]	25.8 [7.6]	25.4 [7.4]	24.6 [7.2]
		Sens BTUH [kW]	18.1 [5.3]	17.3 [5.1]	16.0 [4.7]	21.4 [6.3]	20.4 [6.0]	18.9 [5.5]	24.1 [7.1]	23.0 [6.8]	21.4 [6.3]
		Power	1.6	1.6	1.6	1.6	1.6	1.6	1.6	1.6	1.6
	90 [32.2]	Total BTUH [kW]	28.1 [8.2]	27.6 [8.1]	26.8 [7.9]	26.3 [7.7]	25.8 [7.6]	25.1 [7.4]	24.8 [7.3]	24.4 [7.1]	23.7 [6.9]
		Sens BTUH [kW]	17.5 [5.1]	16.7 [4.9]	15.5 [4.5]	20.8 [6.1]	19.8 [5.8]	18.4 [5.4]	23.5 [6.9]	22.5 [6.6]	20.8 [6.1]
		Power	1.7	1.7	1.7	1.7	1.7	1.7	1.7	1.7	1.7
95 [35]	Total BTUH [kW]	27.1 [7.9]	26.6 [7.8]	25.9 [7.6]	25.3 [7.4]	24.9 [7.3]	24.2 [7.1]	23.8 [7.0]	23.4 [6.8]	22.7 [6.7]	
	Sens BTUH [kW]	16.9 [5.0]	16.1 [4.7]	15.0 [4.4]	20.2 [5.9]	19.3 [5.6]	17.9 [5.2]	22.9 [6.7]	21.9 [6.4]	20.3 [5.9]	
	Power	1.8	1.8	1.8	1.8	1.8	1.8	1.8	1.8	1.8	
100 [37.8]	Total BTUH [kW]	26.1 [7.6]	25.6 [7.5]	24.9 [7.3]	24.3 [7.1]	23.9 [7.0]	23.2 [6.8]	22.8 [6.7]	22.4 [6.6]	21.7 [6.4]	
	Sens BTUH [kW]	16.3 [4.8]	15.6 [4.6]	14.4 [4.2]	19.6 [5.7]	18.7 [5.5]	17.3 [5.1]	22.3 [6.5]	21.3 [6.2]	19.8 [5.8]	
	Power	2.0	1.9	1.9	2.0	1.9	1.9	2.0	1.9	1.9	
105 [40.6]	Total BTUH [kW]	25.1 [7.4]	24.6 [7.2]	23.9 [7.0]	23.3 [6.8]	22.9 [6.7]	22.2 [6.5]	21.8 [6.4]	21.4 [6.3]	20.8 [6.1]	
	Sens BTUH [kW]	15.7 [4.6]	15.0 [4.4]	13.9 [4.1]	19.0 [5.6]	18.1 [5.3]	16.8 [4.9]	21.7 [6.4]	20.7 [6.1]	19.2 [5.6]	
	Power	2.1	2.1	2.1	2.1	2.1	2.0	2.1	2.1	2.0	
110 [43.3]	Total BTUH [kW]	24.1 [7.1]	23.6 [6.9]	23.0 [6.7]	22.3 [6.5]	21.9 [6.4]	21.2 [6.2]	20.7 [6.1]	20.4 [6.0]	19.8 [5.8]	
	Sens BTUH [kW]	15.1 [4.4]	14.4 [4.2]	13.4 [3.9]	18.4 [5.4]	17.5 [5.1]	16.3 [4.8]	20.7 [6.1]	20.2 [5.9]	18.7 [5.5]	
	Power	2.2	2.2	2.2	2.2	2.2	2.2	2.2	2.2	2.2	
115 [46.1]	Total BTUH [kW]	23.1 [6.8]	22.6 [6.6]	22.0 [6.4]	21.2 [6.2]	20.9 [6.1]	20.3 [5.9]	19.7 [5.8]	19.4 [5.7]	18.8 [5.5]	
	Sens BTUH [kW]	14.5 [4.3]	13.9 [4.1]	12.9 [3.8]	17.8 [5.2]	17.0 [5.0]	15.7 [4.6]	19.7 [5.8]	19.4 [5.7]	18.2 [5.3]	
	Power	2.4	2.4	2.3	2.4	2.4	2.3	2.4	2.4	2.3	
120 [48.9]	Total BTUH [kW]	22.0 [6.5]	21.6 [6.3]	21.0 [6.2]	20.2 [5.9]	19.9 [5.8]	19.3 [5.7]	18.7 [5.5]	18.4 [5.4]	17.9 [5.2]	
	Sens BTUH [kW]	13.9 [4.1]	13.3 [3.9]	12.3 [3.6]	17.2 [5.0]	16.4 [4.8]	15.2 [4.5]	18.7 [5.5]	18.4 [5.4]	17.7 [5.2]	
	Power	2.6	2.5	2.5	2.6	2.5	2.5	2.6	2.5	2.5	
125 [51.7]	Total BTUH [kW]	21.0 [6.2]	20.6 [6.0]	20.1 [5.9]	19.2 [5.6]	18.9 [5.5]	18.3 [5.4]	17.7 [5.2]	17.4 [5.1]	16.9 [4.9]	
	Sens BTUH [kW]	13.3 [3.9]	12.7 [3.7]	11.8 [3.5]	16.6 [4.9]	15.8 [4.6]	14.7 [4.3]	17.7 [5.2]	17.4 [5.1]	16.9 [4.9]	
	Power	2.7	2.7	2.7	2.7	2.7	2.7	2.7	2.7	2.7	

DR —Depression ratio
dbE —Entering air dry bulb
wbE—Entering air wet bulb

Total —Total capacity x 1000 BTUH
Sens —Sensible capacity x 1000 BTUH
Power —kW input

NOTES: ① When the entering air dry bulb is other than 80°F [27°C], adjust the sensible capacity from the table by adding [1.10 x CFM x (1 – DR) x (dbE – 80)].

[] Designates Metric Conversions





GROSS SYSTEMS PERFORMANCE DATA—RGEA14030A

ENTERING INDOOR AIR @ 80°F [26.7°C] dbE ①											
wbE		71°F [21.7°C]			67°F [19.4°C]			63°F [17.2°C]			
CFM [L/s]		1100 [519]	1000 [472]	850 [401]	1100 [519]	1000 [472]	850 [401]	1100 [519]	1000 [472]	850 [401]	
DR ①		0.16	0.15	0.11	0.16	0.15	0.11	0.16	0.15	0.11	
OUTDOOR DRY BULB TEMPERATURE °F [°C]	75 [23.9]	Total BTUH [kW]	37.0 [10.9]	36.4 [10.7]	35.4 [10.4]	35.0 [10.3]	34.4 [10.1]	33.4 [9.8]	33.2 [9.7]	32.6 [9.6]	31.7 [9.3]
		Sens BTUH [kW]	21.6 [6.3]	20.6 [6.0]	19.2 [5.6]	25.6 [7.5]	24.4 [7.2]	22.7 [6.7]	28.8 [8.4]	27.5 [8.1]	25.6 [7.5]
		Power	1.7	1.6	1.6	1.7	1.6	1.6	1.6	1.6	1.6
	80 [26.7]	Total BTUH [kW]	36.0 [10.5]	35.4 [10.4]	34.4 [10.1]	33.9 [9.9]	33.3 [9.8]	32.4 [9.5]	32.2 [9.4]	31.6 [9.3]	30.7 [9.0]
		Sens BTUH [kW]	21.1 [6.2]	20.1 [5.9]	18.7 [5.5]	25.1 [7.4]	24.0 [7.0]	22.3 [6.5]	28.3 [8.3]	27.0 [7.9]	25.1 [7.4]
		Power	1.7	1.7	1.7	1.7	1.7	1.7	1.7	1.7	1.7
	85 [29.4]	Total BTUH [kW]	34.9 [10.2]	34.3 [10.1]	33.4 [9.8]	32.9 [9.6]	32.3 [9.5]	31.4 [9.2]	31.1 [9.1]	30.6 [9.0]	29.7 [8.7]
		Sens BTUH [kW]	20.6 [6.0]	19.7 [5.8]	18.3 [5.4]	24.6 [7.2]	23.5 [6.9]	21.8 [6.4]	27.8 [8.1]	26.5 [7.8]	24.7 [7.2]
		Power	1.8	1.8	1.8	1.8	1.8	1.8	1.8	1.8	1.8
	90 [32.2]	Total BTUH [kW]	33.9 [9.9]	33.3 [9.7]	32.3 [9.5]	31.8 [9.3]	31.2 [9.2]	30.4 [8.9]	30.0 [8.8]	29.5 [8.6]	28.7 [8.4]
		Sens BTUH [kW]	20.1 [5.9]	19.2 [5.6]	17.8 [5.2]	24.1 [7.1]	23.0 [6.7]	21.4 [6.3]	27.3 [8.0]	26.0 [7.6]	24.2 [7.1]
		Power	1.9	1.9	1.9	1.9	1.9	1.9	1.9	1.9	1.9
95 [35]	Total BTUH [kW]	32.8 [9.6]	32.2 [9.4]	31.3 [9.2]	30.7 [9.0]	30.2 [8.8]	29.3 [8.6]	28.9 [8.5]	28.4 [8.3]	27.6 [8.1]	
	Sens BTUH [kW]	19.5 [5.7]	18.6 [5.5]	17.3 [5.1]	23.5 [6.9]	22.5 [6.6]	20.9 [6.1]	26.7 [7.8]	25.5 [7.5]	23.7 [7.0]	
	Power	2.1	2.0	2.0	2.0	2.0	2.0	2.0	2.0	2.0	
100 [37.8]	Total BTUH [kW]	31.6 [9.3]	31.1 [9.1]	30.2 [8.9]	29.6 [8.7]	29.1 [8.5]	28.3 [8.3]	27.8 [8.2]	27.3 [8.0]	26.6 [7.8]	
	Sens BTUH [kW]	18.9 [5.5]	18.1 [5.3]	16.8 [4.9]	22.9 [6.7]	21.9 [6.4]	20.4 [6.0]	26.1 [7.7]	25.0 [7.3]	23.2 [6.8]	
	Power	2.2	2.2	2.1	2.2	2.1	2.1	2.2	2.1	2.1	
105 [40.6]	Total BTUH [kW]	30.5 [8.9]	30.0 [8.8]	29.2 [8.5]	28.5 [8.3]	28.0 [8.2]	27.2 [8.0]	26.7 [7.8]	26.2 [7.7]	25.5 [7.5]	
	Sens BTUH [kW]	18.3 [5.4]	17.5 [5.1]	16.3 [4.8]	22.3 [6.5]	21.3 [6.2]	19.8 [5.8]	25.5 [7.5]	24.4 [7.1]	22.7 [6.6]	
	Power	2.3	2.3	2.3	2.3	2.3	2.2	2.3	2.3	2.2	
110 [43.3]	Total BTUH [kW]	29.4 [8.6]	28.8 [8.5]	28.1 [8.2]	27.3 [8.0]	26.8 [7.9]	26.1 [7.6]	25.5 [7.5]	25.1 [7.4]	24.4 [7.2]	
	Sens BTUH [kW]	17.7 [5.2]	16.9 [5.0]	15.7 [4.6]	21.7 [6.4]	20.7 [6.1]	19.3 [5.6]	24.9 [7.3]	23.8 [7.0]	22.1 [6.5]	
	Power	2.4	2.4	2.4	2.4	2.4	2.4	2.4	2.4	2.4	
115 [46.1]	Total BTUH [kW]	28.2 [8.3]	27.7 [8.1]	26.9 [7.9]	26.1 [7.7]	25.7 [7.5]	25.0 [7.3]	24.4 [7.1]	23.9 [7.0]	23.3 [6.8]	
	Sens BTUH [kW]	17.0 [5.0]	16.3 [4.8]	15.1 [4.4]	21.0 [6.2]	20.1 [5.9]	18.7 [5.5]	24.2 [7.1]	23.1 [6.8]	21.5 [6.3]	
	Power	2.6	2.6	2.5	2.6	2.6	2.5	2.6	2.5	2.5	
120 [48.9]	Total BTUH [kW]	27.0 [7.9]	26.5 [7.8]	25.8 [7.6]	25.0 [7.3]	24.5 [7.2]	23.9 [7.0]	23.2 [6.8]	22.8 [6.7]	22.2 [6.5]	
	Sens BTUH [kW]	16.3 [4.8]	15.6 [4.6]	14.5 [4.3]	20.3 [6.0]	19.4 [5.7]	18.1 [5.3]	23.2 [6.8]	22.5 [6.6]	20.9 [6.1]	
	Power	2.7	2.7	2.7	2.7	2.7	2.7	2.7	2.7	2.7	
125 [51.7]	Total BTUH [kW]	25.8 [7.6]	25.4 [7.4]	24.7 [7.2]	23.8 [7.0]	23.3 [6.8]	22.7 [6.7]	22.0 [6.4]	21.6 [6.3]	21.0 [6.2]	
	Sens BTUH [kW]	15.6 [4.6]	14.9 [4.4]	13.9 [4.1]	19.6 [5.8]	18.8 [5.5]	17.4 [5.1]	22.0 [6.4]	21.6 [6.3]	20.3 [5.9]	
	Power	2.9	2.9	2.8	2.9	2.9	2.8	2.9	2.9	2.8	

DR —Depression ratio
dbE —Entering air dry bulb
wbE—Entering air wet bulb

Total —Total capacity x 1000 BTUH
Sens —Sensible capacity x 1000 BTUH
Power —KW input

NOTES: ① When the entering air dry bulb is other than 80°F [27°C], adjust the sensible capacity from the table by adding [1.10 x CFM x (1 - DR) x (dbE - 80)].

[] Designates Metric Conversions



GROSS SYSTEMS PERFORMANCE DATA—RGEA14036A

ENTERING INDOOR AIR @ 80°F [26.7°C] dbE ①											
wbE		71°F [21.7°C]			67°F [19.4°C]			63°F [17.2°C]			
CFM [L/s]		1320 [623]	1200 [566]	1020 [481]	1320 [623]	1200 [566]	1020 [481]	1320 [623]	1200 [566]	1020 [481]	
DR ①		0.23	0.21	0.18	0.23	0.21	0.18	0.23	0.21	0.18	
OUTDOOR DRY BULB TEMPERATURE °F [°C]	75 [23.9]	Total BTUH [kW] Sens BTUH [kW] Power	44.3 [13.0] 25.4 [7.4] 2.0	43.5 [12.8] 24.2 [7.1] 2.0	42.3 [12.4] 22.5 [6.6] 2.0	41.4 [12.1] 29.6 [8.7] 2.0	40.6 [11.9] 28.3 [8.3] 2.0	39.5 [11.6] 26.3 [7.7] 2.0	38.3 [11.2] 32.8 [9.6] 2.0	37.6 [11.0] 31.3 [9.2] 2.0	36.6 [10.7] 29.1 [8.5] 2.0
	80 [26.7]	Total BTUH [kW] Sens BTUH [kW] Power	43.0 [12.6] 24.7 [7.2] 2.1	42.2 [12.4] 23.6 [6.9] 2.1	41.1 [12.0] 21.9 [6.4] 2.1	40.0 [11.7] 28.9 [8.5] 2.1	39.3 [11.5] 27.6 [8.1] 2.1	38.2 [11.2] 25.7 [7.5] 2.1	37.0 [10.8] 32.1 [9.4] 2.1	36.3 [10.6] 30.7 [9.0] 2.1	35.3 [10.3] 28.5 [8.4] 2.1
	85 [29.4]	Total BTUH [kW] Sens BTUH [kW] Power	41.7 [12.2] 24.0 [7.0] 2.3	40.9 [12.0] 22.9 [6.7] 2.2	39.8 [11.7] 21.3 [6.2] 2.2	38.7 [11.3] 28.2 [8.3] 2.2	38.0 [11.1] 27.0 [7.9] 2.2	37.0 [10.8] 25.1 [7.3] 2.2	35.6 [10.4] 31.4 [9.2] 2.2	35.0 [10.3] 30.0 [8.8] 2.2	34.0 [10.0] 27.9 [8.2] 2.2
	90 [32.2]	Total BTUH [kW] Sens BTUH [kW] Power	40.3 [11.8] 23.2 [6.8] 2.4	39.6 [11.6] 22.2 [6.5] 2.4	38.5 [11.3] 20.7 [6.1] 2.3	37.3 [10.9] 27.5 [8.1] 2.4	36.7 [10.7] 26.3 [7.7] 2.4	35.7 [10.5] 24.4 [7.2] 2.3	34.3 [10.0] 30.7 [9.0] 2.4	33.7 [9.9] 29.3 [8.6] 2.4	32.7 [9.6] 27.3 [8.0] 2.3
	95 [35]	Total BTUH [kW] Sens BTUH [kW] Power	38.9 [11.4] 22.5 [6.6] 2.5	38.3 [11.2] 21.5 [6.3] 2.5	37.2 [10.9] 20.0 [5.9] 2.5	36.0 [10.5] 26.7 [7.8] 2.5	35.3 [10.4] 25.5 [7.5] 2.5	34.4 [10.1] 23.7 [7.0] 2.5	32.9 [9.6] 29.9 [8.8] 2.5	32.3 [9.5] 28.6 [8.4] 2.5	31.4 [9.2] 26.6 [7.8] 2.5
	100 [37.8]	Total BTUH [kW] Sens BTUH [kW] Power	37.6 [11.0] 21.7 [6.4] 2.7	36.9 [10.8] 20.7 [6.1] 2.7	35.9 [10.5] 19.3 [5.7] 2.6	34.6 [10.1] 25.9 [7.6] 2.7	34.0 [10.0] 24.8 [7.3] 2.7	33.0 [9.7] 23.0 [6.8] 2.6	31.5 [9.2] 29.1 [8.5] 2.7	30.9 [9.1] 27.8 [8.2] 2.6	30.1 [8.8] 25.9 [7.6] 2.6
	105 [40.6]	Total BTUH [kW] Sens BTUH [kW] Power	36.1 [10.6] 20.9 [6.1] 2.9	35.5 [10.4] 20.0 [5.8] 2.8	34.5 [10.1] 18.6 [5.4] 2.8	33.2 [9.7] 25.1 [7.4] 2.8	32.6 [9.5] 24.0 [7.0] 2.8	31.7 [9.3] 22.3 [6.5] 2.8	30.1 [8.8] 28.3 [8.3] 2.8	29.6 [8.7] 27.1 [7.9] 2.8	28.7 [8.4] 25.2 [7.4] 2.8
	110 [43.3]	Total BTUH [kW] Sens BTUH [kW] Power	34.7 [10.2] 20.1 [5.9] 3.0	34.1 [10.0] 19.2 [5.6] 3.0	33.2 [9.7] 17.8 [5.2] 3.0	31.7 [9.3] 24.3 [7.1] 3.0	31.2 [9.1] 23.2 [6.8] 3.0	30.3 [8.9] 21.6 [6.3] 3.0	28.7 [8.4] 27.5 [8.1] 3.0	28.2 [8.3] 26.3 [7.7] 3.0	27.4 [8.0] 24.4 [7.2] 3.0
	115 [46.1]	Total BTUH [kW] Sens BTUH [kW] Power	33.3 [9.8] 19.2 [5.6] 3.2	32.7 [9.6] 18.3 [5.4] 3.2	31.8 [9.3] 17.0 [5.0] 3.2	30.3 [8.9] 23.4 [6.9] 3.2	29.8 [8.7] 22.4 [6.6] 3.2	28.9 [8.5] 20.8 [6.1] 3.2	27.2 [8.0] 26.6 [7.8] 3.2	26.7 [7.8] 25.4 [7.5] 3.2	26.0 [7.6] 23.7 [6.9] 3.1
	120 [48.9]	Total BTUH [kW] Sens BTUH [kW] Power	31.8 [9.3] 18.3 [5.4] 3.4	31.2 [9.2] 17.5 [5.1] 3.4	30.4 [8.9] 16.3 [4.8] 3.4	28.8 [8.5] 22.5 [6.6] 3.4	28.3 [8.3] 21.5 [6.3] 3.4	27.5 [8.1] 20.0 [5.9] 3.4	25.8 [7.5] 25.7 [7.5] 3.4	25.3 [7.4] 24.6 [7.2] 3.4	24.6 [7.2] 22.9 [6.7] 3.3
	125 [51.7]	Total BTUH [kW] Sens BTUH [kW] Power	30.3 [8.9] 17.4 [5.1] 3.6	29.8 [8.7] 16.6 [4.9] 3.6	29.0 [8.5] 15.4 [4.5] 3.6	27.4 [8.0] 21.6 [6.3] 3.6	26.9 [7.9] 20.7 [6.1] 3.6	26.1 [7.7] 19.2 [5.6] 3.6	24.3 [7.1] 24.3 [7.1] 3.6	23.8 [7.0] 23.7 [6.9] 3.6	23.2 [6.8] 22.0 [6.5] 3.6

DR —Depression ratio
dbE —Entering air dry bulb
wbE—Entering air wet bulb

Total —Total capacity x 1000 BTUH
Sens —Sensible capacity x 1000 BTUH
Power —kW input

NOTES: ① When the entering air dry bulb is other than 80°F [27°C], adjust the sensible capacity from the table by adding [1.10 x CFM x (1 – DR) x (dbE – 80)].

[] Designates Metric Conversions





GROSS SYSTEMS PERFORMANCE DATA—RGEA14042A

ENTERING INDOOR AIR @ 80°F [26.7°C] dbE ①											
wbE		71°F [21.7°C]			67°F [19.4°C]			63°F [17.2°C]			
CFM [L/s]		1430 [675]	1300 [614]	1100 [519]	1430 [675]	1300 [614]	1100 [519]	1430 [675]	1300 [614]	1100 [519]	
DR ①		0.15	0.14	0.1	0.15	0.14	0.1	0.15	0.14	0.1	
OUTDOOR DRY BULB TEMPERATURE °F [°C]	75 [23.9]	Total BTUH [kW] Sens BTUH [kW] Power	50.0 [14.7] 29.2 [8.5] 2.4	49.1 [14.4] 27.9 [8.2] 2.4	47.7 [14.0] 25.9 [7.6] 2.3	47.3 [13.9] 34.3 [10.0] 2.4	46.4 [13.6] 32.7 [9.6] 2.3	45.1 [13.2] 30.4 [8.9] 2.3	44.3 [13.0] 38.5 [11.3] 2.3	43.5 [12.8] 36.8 [10.8] 2.3	42.3 [12.4] 34.2 [10.0] 2.3
	80 [26.7]	Total BTUH [kW] Sens BTUH [kW] Power	48.7 [14.3] 28.5 [8.4] 2.5	47.9 [14.0] 27.3 [8.0] 2.5	46.5 [13.6] 25.3 [7.4] 2.5	46.0 [13.5] 33.7 [9.9] 2.5	45.2 [13.2] 32.2 [9.4] 2.5	43.9 [12.9] 29.8 [8.7] 2.4	43.0 [12.6] 37.9 [11.1] 2.5	42.3 [12.4] 36.2 [10.6] 2.5	41.1 [12.0] 33.6 [9.9] 2.4
	85 [29.4]	Total BTUH [kW] Sens BTUH [kW] Power	47.4 [13.9] 27.9 [8.2] 2.7	46.6 [13.6] 26.6 [7.8] 2.6	45.2 [13.3] 24.7 [7.2] 2.6	44.7 [13.1] 33.0 [9.7] 2.6	43.9 [12.9] 31.5 [9.2] 2.6	42.6 [12.5] 29.3 [8.6] 2.6	41.7 [12.2] 37.2 [10.9] 2.6	41.0 [12.0] 35.6 [10.4] 2.6	39.8 [11.7] 33.0 [9.7] 2.6
	90 [32.2]	Total BTUH [kW] Sens BTUH [kW] Power	46.0 [13.5] 27.2 [8.0] 2.8	45.2 [13.2] 26.0 [7.6] 2.8	43.9 [12.9] 24.1 [7.1] 2.8	43.3 [12.7] 32.3 [9.5] 2.8	42.5 [12.5] 30.8 [9.0] 2.8	41.3 [12.1] 28.6 [8.4] 2.7	40.3 [11.8] 36.5 [10.7] 2.8	39.6 [11.6] 34.9 [10.2] 2.8	38.5 [11.3] 32.4 [9.5] 2.7
	95 [35]	Total BTUH [kW] Sens BTUH [kW] Power	44.6 [13.1] 26.4 [7.7] 3.0	43.8 [12.8] 25.2 [7.4] 3.0	42.6 [12.5] 23.4 [6.9] 2.9	41.8 [12.3] 31.5 [9.2] 3.0	41.1 [12.0] 30.1 [8.8] 3.0	39.9 [11.7] 27.9 [8.2] 2.9	38.9 [11.4] 35.8 [10.5] 3.0	38.2 [11.2] 34.2 [10.0] 2.9	37.1 [10.9] 31.7 [9.3] 2.9
	100 [37.8]	Total BTUH [kW] Sens BTUH [kW] Power	43.1 [12.6] 25.6 [7.5] 3.2	42.3 [12.4] 24.4 [7.2] 3.1	41.1 [12.1] 22.7 [6.6] 3.1	40.4 [11.8] 30.7 [9.0] 3.2	39.6 [11.6] 29.3 [8.6] 3.1	38.5 [11.3] 27.2 [8.0] 3.1	37.4 [11.0] 34.9 [10.2] 3.1	36.7 [10.8] 33.4 [9.8] 3.1	35.7 [10.5] 31.0 [9.1] 3.1
	105 [40.6]	Total BTUH [kW] Sens BTUH [kW] Power	41.6 [12.2] 24.7 [7.2] 3.4	40.8 [12.0] 23.6 [6.9] 3.3	39.7 [11.6] 21.9 [6.4] 3.3	38.8 [11.4] 29.8 [8.7] 3.3	38.1 [11.2] 28.5 [8.3] 3.3	37.1 [10.9] 26.4 [7.7] 3.3	35.9 [10.5] 34.1 [10.0] 3.3	35.2 [10.3] 32.5 [9.5] 3.3	34.3 [10.0] 30.2 [8.8] 3.3
	110 [43.3]	Total BTUH [kW] Sens BTUH [kW] Power	40.0 [11.7] 23.8 [7.0] 3.6	39.3 [11.5] 22.7 [6.7] 3.5	38.2 [11.2] 21.1 [6.2] 3.5	37.2 [10.9] 28.9 [8.5] 3.5	36.6 [10.7] 27.6 [8.1] 3.5	35.6 [10.4] 25.6 [7.5] 3.5	34.3 [10.0] 33.1 [9.7] 3.5	33.7 [9.9] 31.6 [9.3] 3.5	32.7 [9.6] 29.4 [8.6] 3.5
	115 [46.1]	Total BTUH [kW] Sens BTUH [kW] Power	38.3 [11.2] 22.8 [6.7] 3.8	37.7 [11.0] 21.8 [6.4] 3.7	36.6 [10.7] 20.2 [5.9] 3.7	35.6 [10.4] 27.9 [8.2] 3.8	35.0 [10.2] 26.6 [7.8] 3.7	34.0 [10.0] 24.7 [7.2] 3.7	32.7 [9.6] 32.1 [9.4] 3.7	32.1 [9.4] 30.7 [9.0] 3.7	31.2 [9.1] 28.5 [8.4] 3.7
	120 [48.9]	Total BTUH [kW] Sens BTUH [kW] Power	36.7 [10.7] 21.7 [6.4] 4.0	36.0 [10.6] 20.8 [6.1] 4.0	35.0 [10.3] 19.3 [5.6] 3.9	33.9 [9.9] 26.8 [7.9] 4.0	33.3 [9.8] 25.6 [7.5] 3.9	32.4 [9.5] 23.8 [7.0] 3.9	31.0 [9.1] 31.0 [9.1] 4.0	30.4 [8.9] 29.7 [8.7] 3.9	29.6 [8.7] 27.6 [8.1] 3.9
	125 [51.7]	Total BTUH [kW] Sens BTUH [kW] Power	34.9 [10.2] 20.6 [6.1] 4.2	34.3 [10.1] 19.7 [5.8] 4.2	33.3 [9.8] 18.3 [5.4] 4.1	32.2 [9.4] 25.8 [7.5] 4.2	31.6 [9.3] 24.6 [7.2] 4.2	30.7 [9.0] 22.8 [6.7] 4.1	29.2 [8.6] 29.2 [8.6] 4.2	28.7 [8.4] 28.7 [8.4] 4.1	27.9 [8.2] 26.6 [7.8] 4.1

DR —Depression ratio
dbE —Entering air dry bulb
wbE—Entering air wet bulb

Total —Total capacity x 1000 BTUH
Sens —Sensible capacity x 1000 BTUH
Power —KW input

NOTES: ① When the entering air dry bulb is other than 80°F [27°C], adjust the sensible capacity from the table by adding [1.10 x CFM x (1 - DR) x (dbE - 80)].

[] Designates Metric Conversions



GROSS SYSTEMS PERFORMANCE DATA—RGEA14048A

		ENTERING INDOOR AIR @ 80°F [26.7°C] dbE ①									
wbE		71°F [21.7°C]			67°F [19.4°C]			63°F [17.2°C]			
CFM [L/s]		1700 [802]	1550 [732]	1320 [623]	1700 [802]	1550 [732]	1320 [623]	1700 [802]	1550 [732]	1320 [623]	
DR ①		0.21	0.19	0.17	0.21	0.19	0.17	0.21	0.19	0.17	
OUTDOOR DRY BULB TEMPERATURE °F [°C]	75 [23.9]	Total BTUH [kW] Sens BTUH [kW] Power	58.8 [17.2] 33.0 [9.7] 2.8	57.8 [16.9] 31.6 [9.3] 2.8	56.3 [16.5] 29.4 [8.6] 2.7	55.4 [16.2] 39.1 [11.5] 2.8	54.4 [15.9] 37.4 [11.0] 2.7	53.0 [15.5] 34.8 [10.2] 2.7	52.6 [15.4] 45.0 [13.2] 2.7	51.7 [15.1] 43.0 [12.6] 2.7	50.3 [14.7] 40.1 [11.7] 2.7
	80 [26.7]	Total BTUH [kW] Sens BTUH [kW] Power	57.1 [16.7] 32.2 [9.4] 2.9	56.1 [16.4] 30.8 [9.0] 2.9	54.6 [16.0] 28.7 [8.4] 2.9	53.6 [15.7] 38.3 [11.2] 2.9	52.7 [15.4] 36.6 [10.7] 2.9	51.3 [15.0] 34.1 [10.0] 2.9	50.8 [14.9] 44.2 [12.9] 2.9	49.9 [14.6] 42.3 [12.4] 2.9	48.6 [14.2] 39.3 [11.5] 2.8
	85 [29.4]	Total BTUH [kW] Sens BTUH [kW] Power	55.3 [16.2] 31.4 [9.2] 3.1	54.4 [15.9] 30.0 [8.8] 3.1	52.9 [15.5] 27.9 [8.2] 3.0	51.9 [15.2] 37.4 [11.0] 3.1	51.0 [14.9] 35.8 [10.5] 3.1	49.6 [14.5] 33.3 [9.8] 3.0	49.1 [14.4] 43.3 [12.7] 3.1	48.2 [14.1] 41.4 [12.1] 3.0	46.9 [13.7] 38.6 [11.3] 3.0
	90 [32.2]	Total BTUH [kW] Sens BTUH [kW] Power	53.6 [15.7] 30.4 [8.9] 3.3	52.6 [15.4] 29.1 [8.5] 3.3	51.2 [15.0] 27.1 [7.9] 3.2	50.1 [14.7] 36.5 [10.7] 3.3	49.2 [14.4] 34.9 [10.2] 3.2	47.9 [14.0] 32.5 [9.5] 3.2	47.3 [13.9] 42.4 [12.4] 3.2	46.5 [13.6] 40.6 [11.9] 3.2	45.2 [13.3] 37.8 [11.1] 3.2
	95 [35]	Total BTUH [kW] Sens BTUH [kW] Power	51.8 [15.2] 29.5 [8.6] 3.5	50.9 [14.9] 28.2 [8.3] 3.5	49.5 [14.5] 26.3 [7.7] 3.4	48.4 [14.2] 35.6 [10.4] 3.5	47.5 [13.9] 34.0 [10.0] 3.4	46.3 [13.6] 31.7 [9.3] 3.4	45.6 [13.4] 41.5 [12.1] 3.4	44.8 [13.1] 39.7 [11.6] 3.4	43.6 [12.8] 36.9 [10.8] 3.4
	100 [37.8]	Total BTUH [kW] Sens BTUH [kW] Power	50.1 [14.7] 28.5 [8.4] 3.7	49.2 [14.4] 27.3 [8.0] 3.7	47.9 [14.0] 25.4 [7.4] 3.6	46.6 [13.7] 34.6 [10.1] 3.7	45.8 [13.4] 33.1 [9.7] 3.7	44.6 [13.1] 30.8 [9.0] 3.6	43.8 [12.8] 40.5 [11.9] 3.7	43.1 [12.6] 38.7 [11.3] 3.6	41.9 [12.3] 36.0 [10.6] 3.6
	105 [40.6]	Total BTUH [kW] Sens BTUH [kW] Power	48.4 [14.2] 27.5 [8.1] 4.0	47.5 [13.9] 26.3 [7.7] 3.9	46.2 [13.5] 24.5 [7.2] 3.9	44.9 [13.2] 33.6 [9.8] 3.9	44.1 [12.9] 32.1 [9.4] 3.9	42.9 [12.6] 29.9 [8.8] 3.8	42.1 [12.3] 39.4 [11.6] 3.9	41.4 [12.1] 37.7 [11.1] 3.9	40.3 [11.8] 35.1 [10.3] 3.8
	110 [43.3]	Total BTUH [kW] Sens BTUH [kW] Power	46.6 [13.7] 26.4 [7.7] 4.2	45.8 [13.4] 25.3 [7.4] 4.2	44.6 [13.1] 23.5 [6.9] 4.1	43.2 [12.7] 32.5 [9.5] 4.2	42.4 [12.4] 31.1 [9.1] 4.2	41.3 [12.1] 28.9 [8.5] 4.1	40.4 [11.8] 38.4 [11.2] 4.2	39.7 [11.6] 36.7 [10.8] 4.1	38.6 [11.3] 34.2 [10.0] 4.1
	115 [46.1]	Total BTUH [kW] Sens BTUH [kW] Power	44.9 [13.2] 25.3 [7.4] 4.5	44.1 [12.9] 24.2 [7.1] 4.5	42.9 [12.6] 22.6 [6.6] 4.4	41.5 [12.2] 31.4 [9.2] 4.5	40.8 [11.9] 30.0 [8.8] 4.4	39.7 [11.6] 28.0 [8.2] 4.4	38.7 [11.3] 37.3 [10.9] 4.4	38.0 [11.1] 35.7 [10.5] 4.4	37.0 [10.8] 33.2 [9.7] 4.4
	120 [48.9]	Total BTUH [kW] Sens BTUH [kW] Power	43.2 [12.7] 24.2 [7.1] 4.8	42.5 [12.4] 23.1 [6.8] 4.8	41.3 [12.1] 21.5 [6.3] 4.7	39.8 [11.7] 30.3 [8.9] 4.8	39.1 [11.4] 28.9 [8.5] 4.7	38.0 [11.1] 26.9 [7.9] 4.7	37.0 [10.8] 36.1 [10.6] 4.7	36.3 [10.6] 34.6 [10.1] 4.7	35.3 [10.4] 32.2 [9.4] 4.6
	125 [51.7]	Total BTUH [kW] Sens BTUH [kW] Power	41.5 [12.2] 23.0 [6.7] 5.1	40.8 [12.0] 22.0 [6.4] 5.1	39.7 [11.6] 20.5 [6.0] 5.0	38.1 [11.2] 29.1 [8.5] 5.1	37.4 [11.0] 27.8 [8.2] 5.0	36.4 [10.7] 25.9 [7.6] 5.0	35.3 [10.3] 35.0 [10.2] 5.1	34.6 [10.2] 33.4 [9.8] 5.0	33.7 [9.9] 31.1 [9.1] 5.0

DR —Depression ratio
dbE —Entering air dry bulb
wbE —Entering air wet bulb

Total —Total capacity x 1000 BTUH
Sens —Sensible capacity x 1000 BTUH
Power —kW input

NOTES: ① When the entering air dry bulb is other than 80°F [27°C], adjust the sensible capacity from the table by adding [1.10 x CFM x (1 - DR) x (dbE - 80)].

[] Designates Metric Conversions





GROSS SYSTEMS PERFORMANCE DATA—RGEA14060A

ENTERING INDOOR AIR @ 80°F [26.7°C] dbE ①											
wbE		71°F [21.7°C]			67°F [19.4°C]			63°F [17.2°C]			
CFM [L/s]		1870 [883]	1700 [802]	1440 [680]	1870 [883]	1700 [802]	1440 [680]	1870 [883]	1700 [802]	1440 [680]	
DR ①		0.14	0.13	0.11	0.14	0.13	0.11	0.14	0.13	0.11	
OUTDOOR DRY BULB TEMPERATURE °F [°C]	75 [23.9]	Total BTUH [kW]	72.1 [21.1]	70.8 [20.7]	68.8 [20.2]	67.8 [19.9]	66.6 [19.5]	64.7 [19.0]	63.6 [18.6]	62.4 [18.3]	60.7 [17.8]
		Sens BTUH [kW]	40.6 [11.9]	38.8 [11.4]	36.0 [10.6]	47.8 [14.0]	45.7 [13.4]	42.4 [12.4]	54.4 [16.0]	52.0 [15.2]	48.3 [14.2]
		Power	3.5	3.5	3.5	3.5	3.5	3.4	3.5	3.5	3.4
	80 [26.7]	Total BTUH [kW]	70.3 [20.6]	69.0 [20.2]	67.1 [19.7]	66.0 [19.3]	64.8 [19.0]	63.0 [18.5]	61.8 [18.1]	60.7 [17.8]	59.0 [17.3]
		Sens BTUH [kW]	39.6 [11.6]	37.8 [11.1]	35.1 [10.3]	46.7 [13.7]	44.7 [13.1]	41.5 [12.2]	53.4 [15.6]	51.0 [15.0]	47.4 [13.9]
		Power	3.7	3.7	3.7	3.7	3.7	3.6	3.7	3.6	3.6
	85 [29.4]	Total BTUH [kW]	68.4 [20.0]	67.1 [19.7]	65.3 [19.1]	64.1 [18.8]	62.9 [18.4]	61.2 [17.9]	59.9 [17.5]	58.8 [17.2]	57.2 [16.7]
		Sens BTUH [kW]	38.5 [11.3]	36.8 [10.8]	34.1 [10.0]	45.7 [13.4]	43.6 [12.8]	40.5 [11.9]	52.3 [15.3]	50.0 [14.6]	46.4 [13.6]
		Power	4.0	3.9	3.9	3.9	3.9	3.8	3.9	3.9	3.8
	90 [32.2]	Total BTUH [kW]	66.4 [19.5]	65.2 [19.1]	63.4 [18.6]	62.1 [18.2]	61.0 [17.9]	59.3 [17.4]	57.9 [17.0]	56.8 [16.7]	55.3 [16.2]
		Sens BTUH [kW]	37.3 [10.9]	35.7 [10.5]	33.1 [9.7]	44.5 [13.1]	42.6 [12.5]	39.5 [11.6]	51.2 [15.0]	48.9 [14.3]	45.4 [13.3]
		Power	4.2	4.1	4.1	4.2	4.1	4.1	4.1	4.1	4.0
95 [35]	Total BTUH [kW]	64.3 [18.8]	63.2 [18.5]	61.4 [18.0]	60.0 [17.6]	58.9 [17.3]	57.3 [16.8]	55.8 [16.4]	54.8 [16.1]	53.3 [15.6]	
	Sens BTUH [kW]	36.2 [10.6]	34.6 [10.1]	32.1 [9.4]	43.4 [12.7]	41.4 [12.1]	38.5 [11.3]	50.0 [14.7]	47.8 [14.0]	44.4 [13.0]	
	Power	4.4	4.4	4.3	4.4	4.4	4.3	4.4	4.3	4.3	
100 [37.8]	Total BTUH [kW]	62.1 [18.2]	61.0 [17.9]	59.3 [17.4]	57.9 [17.0]	56.8 [16.7]	55.2 [16.2]	53.6 [15.7]	52.7 [15.4]	51.2 [15.0]	
	Sens BTUH [kW]	35.0 [10.3]	33.4 [9.8]	31.0 [9.1]	42.2 [12.4]	40.3 [11.8]	37.4 [11.0]	48.8 [14.3]	46.7 [13.7]	43.3 [12.7]	
	Power	4.7	4.7	4.6	4.7	4.6	4.6	4.7	4.6	4.5	
105 [40.6]	Total BTUH [kW]	59.9 [17.5]	58.8 [17.2]	57.2 [16.8]	55.6 [16.3]	54.6 [16.0]	53.1 [15.6]	51.4 [15.1]	50.5 [14.8]	49.1 [14.4]	
	Sens BTUH [kW]	33.8 [9.9]	32.3 [9.5]	30.0 [8.8]	41.0 [12.0]	39.1 [11.5]	36.3 [10.6]	47.6 [14.0]	45.5 [13.3]	42.2 [12.4]	
	Power	5.0	5.0	4.9	5.0	4.9	4.9	4.9	4.9	4.8	
110 [43.3]	Total BTUH [kW]	57.6 [16.9]	56.5 [16.6]	55.0 [16.1]	53.3 [15.6]	52.3 [15.3]	50.9 [14.9]	49.0 [14.4]	48.2 [14.1]	46.8 [13.7]	
	Sens BTUH [kW]	32.5 [9.5]	31.0 [9.1]	28.8 [8.4]	39.7 [11.6]	37.9 [11.1]	35.2 [10.3]	46.3 [13.6]	44.3 [13.0]	41.1 [12.0]	
	Power	5.3	5.3	5.2	5.3	5.2	5.2	5.2	5.2	5.1	
115 [46.1]	Total BTUH [kW]	55.1 [16.2]	54.1 [15.9]	52.6 [15.4]	50.8 [14.9]	49.9 [14.6]	48.5 [14.2]	46.6 [13.7]	45.8 [13.4]	44.5 [13.0]	
	Sens BTUH [kW]	31.2 [9.1]	29.8 [8.7]	27.7 [8.1]	38.4 [11.2]	36.7 [10.7]	34.0 [10.0]	45.0 [13.2]	43.0 [12.6]	40.0 [11.7]	
	Power	5.6	5.6	5.5	5.6	5.5	5.5	5.6	5.5	5.4	
120 [48.9]	Total BTUH [kW]	52.6 [15.4]	51.7 [15.1]	50.2 [14.7]	48.3 [14.2]	47.5 [13.9]	46.1 [13.5]	44.1 [12.9]	43.3 [12.7]	42.1 [12.3]	
	Sens BTUH [kW]	29.8 [8.7]	28.5 [8.4]	26.5 [7.8]	37.0 [10.8]	35.4 [10.4]	32.8 [9.6]	43.7 [12.8]	41.7 [12.2]	38.8 [11.4]	
	Power	6.0	5.9	5.8	5.9	5.9	5.8	5.9	5.9	5.8	
125 [51.7]	Total BTUH [kW]	50.0 [14.7]	49.1 [14.4]	47.8 [14.0]	45.7 [13.4]	44.9 [13.2]	43.7 [12.8]	41.5 [12.2]	40.8 [11.9]	39.6 [11.6]	
	Sens BTUH [kW]	28.5 [8.3]	27.2 [8.0]	25.2 [7.4]	35.6 [10.4]	34.1 [10.0]	31.6 [9.3]	41.5 [12.2]	40.4 [11.8]	37.5 [11.0]	
	Power	6.3	6.3	6.2	6.3	6.2	6.2	6.3	6.2	6.1	

DR —Depression ratio
dbE —Entering air dry bulb
wbE—Entering air wet bulb

Total —Total capacity x 1000 BTUH
Sens —Sensible capacity x 1000 BTUH
Power —KW input

NOTES: ① When the entering air dry bulb is other than 80°F [27°C], adjust the sensible capacity from the table by adding [1.10 x CFM x (1 - DR) x (dbE - 80)].

[] Designates Metric Conversions





GROSS SYSTEMS PERFORMANCE DATA— RGEA15024A

ENTERING INDOOR AIR @ 80°F [26.7°C] dbE ①											
wbE		71°F [21.7°C]			67°F [19.4°C]			63°F [17.2°C]			
CFM [L/s]		990 [467]	900 [425]	760 [359]	990 [467]	900 [425]	760 [359]	990 [467]	900 [425]	760 [359]	
DR ①		0.21	0.19	0.15	0.21	0.19	0.15	0.21	0.19	0.15	
OUTDOOR DRY BULB TEMPERATURE °F [°C]	75 [23.9]	Total BTUH [kW] Sens BTUH [kW] Power	30.9 [9.1] 18.7 [5.5] 1.4	30.4 [8.9] 17.9 [5.2] 1.4	29.5 [8.7] 16.6 [4.9] 1.4	29.1 [8.5] 21.9 [6.4] 1.4	28.6 [8.4] 20.9 [6.1] 1.4	27.8 [8.1] 19.4 [5.7] 1.4	27.5 [8.1] 24.6 [7.2] 1.4	27.0 [7.9] 23.5 [6.9] 1.4	26.2 [7.7] 21.8 [6.4] 1.4
	80 [26.7]	Total BTUH [kW] Sens BTUH [kW] Power	30.0 [8.8] 18.2 [5.3] 1.5	29.4 [8.6] 17.4 [5.1] 1.5	28.6 [8.4] 16.1 [4.7] 1.5	28.1 [8.2] 21.4 [6.3] 1.5	27.6 [8.1] 20.4 [6.0] 1.5	26.8 [7.9] 18.9 [5.5] 1.5	26.5 [7.8] 24.0 [7.0] 1.5	26.0 [7.6] 23.0 [6.7] 1.5	25.3 [7.4] 21.3 [6.2] 1.5
	85 [29.4]	Total BTUH [kW] Sens BTUH [kW] Power	29.0 [8.5] 17.6 [5.2] 1.6	28.5 [8.3] 16.8 [4.9] 1.6	27.7 [8.1] 15.6 [4.6] 1.6	27.1 [8.0] 20.8 [6.1] 1.6	26.7 [7.8] 19.9 [5.8] 1.6	25.9 [7.6] 18.4 [5.4] 1.6	25.5 [7.5] 23.5 [6.9] 1.6	25.1 [7.3] 22.4 [6.6] 1.6	24.4 [7.1] 20.8 [6.1] 1.6
	90 [32.2]	Total BTUH [kW] Sens BTUH [kW] Power	28.0 [8.2] 17.0 [5.0] 1.7	27.5 [8.1] 16.3 [4.8] 1.7	26.7 [7.8] 15.1 [4.4] 1.7	26.1 [7.7] 20.2 [5.9] 1.7	25.7 [7.5] 19.3 [5.7] 1.7	25.0 [7.3] 17.9 [5.3] 1.7	24.5 [7.2] 22.9 [6.7] 1.7	24.1 [7.1] 21.9 [6.4] 1.7	23.4 [6.9] 20.3 [5.9] 1.7
	95 [35]	Total BTUH [kW] Sens BTUH [kW] Power	27.0 [7.9] 16.5 [4.8] 1.9	26.5 [7.8] 15.7 [4.6] 1.8	25.7 [7.5] 14.6 [4.3] 1.8	25.1 [7.4] 19.7 [5.8] 1.8	24.7 [7.2] 18.8 [5.5] 1.8	24.0 [7.0] 17.4 [5.1] 1.8	23.5 [6.9] 22.3 [6.5] 1.8	23.1 [6.8] 21.3 [6.2] 1.8	22.4 [6.6] 19.8 [5.8] 1.8
	100 [37.8]	Total BTUH [kW] Sens BTUH [kW] Power	25.9 [7.6] 15.9 [4.6] 2.0	25.5 [7.5] 15.2 [4.4] 2.0	24.8 [7.3] 14.1 [4.1] 1.9	24.1 [7.1] 19.1 [5.6] 2.0	23.7 [6.9] 18.2 [5.3] 2.0	23.0 [6.7] 16.9 [5.0] 1.9	22.5 [6.6] 21.7 [6.4] 2.0	22.1 [6.5] 20.8 [6.1] 1.9	21.5 [6.3] 19.2 [5.6] 1.9
	105 [40.6]	Total BTUH [kW] Sens BTUH [kW] Power	24.9 [7.3] 15.3 [4.5] 2.1	24.5 [7.2] 14.6 [4.3] 2.1	23.8 [7.0] 13.5 [4.0] 2.1	23.1 [6.8] 18.5 [5.4] 2.1	22.6 [6.6] 17.7 [5.2] 2.1	22.0 [6.4] 16.4 [4.8] 2.1	21.4 [6.3] 21.1 [6.2] 2.1	21.1 [6.2] 20.2 [5.9] 2.1	20.5 [6.0] 18.7 [5.5] 2.0
	110 [43.3]	Total BTUH [kW] Sens BTUH [kW] Power	23.8 [7.0] 14.7 [4.3] 2.3	23.4 [6.9] 14.0 [4.1] 2.2	22.7 [6.7] 13.0 [3.8] 2.2	22.0 [6.4] 17.9 [5.2] 2.2	21.6 [6.3] 17.1 [5.0] 2.2	21.0 [6.1] 15.8 [4.6] 2.2	20.4 [6.0] 20.4 [6.0] 2.2	20.0 [5.9] 19.6 [5.7] 2.2	19.4 [5.7] 18.2 [5.3] 2.2
	115 [46.1]	Total BTUH [kW] Sens BTUH [kW] Power	22.8 [6.7] 14.1 [4.1] 2.4	22.3 [6.5] 13.4 [3.9] 2.4	21.7 [6.4] 12.5 [3.6] 2.3	20.9 [6.1] 17.3 [5.1] 2.4	20.5 [6.0] 16.5 [4.8] 2.4	19.9 [5.8] 15.3 [4.5] 2.3	19.3 [5.7] 19.3 [5.7] 2.4	18.9 [5.6] 18.9 [5.6] 2.4	18.4 [5.4] 17.6 [5.2] 2.3
	120 [48.9]	Total BTUH [kW] Sens BTUH [kW] Power	21.7 [6.3] 13.4 [3.9] 2.6	21.3 [6.2] 12.8 [3.8] 2.5	20.7 [6.1] 11.9 [3.5] 2.5	19.8 [5.8] 16.6 [4.9] 2.5	19.5 [5.7] 15.9 [4.7] 2.5	18.9 [5.5] 14.7 [4.3] 2.5	18.2 [5.3] 18.2 [5.3] 2.5	17.9 [5.2] 17.9 [5.2] 2.5	17.4 [5.1] 17.1 [5.0] 2.5
	125 [51.7]	Total BTUH [kW] Sens BTUH [kW] Power	20.5 [6.0] 12.8 [3.8] 2.7	20.2 [5.9] 12.2 [3.6] 2.7	19.6 [5.7] 11.3 [3.3] 2.7	18.7 [5.5] 16.0 [4.7] 2.7	18.4 [5.4] 15.3 [4.5] 2.7	17.8 [5.2] 14.2 [4.2] 2.7	17.1 [5.0] 17.1 [5.0] 2.7	16.8 [4.9] 16.8 [4.9] 2.7	16.3 [4.8] 16.3 [4.8] 2.6

DR —Depression ratio
dbE —Entering air dry bulb
wbE —Entering air wet bulb

Total —Total capacity x 1000 BTUH
Sens —Sensible capacity x 1000 BTUH
Power —kW input

NOTES: ① When the entering air dry bulb is other than 80°F [27°C], adjust the sensible capacity from the table by adding [1.10 x CFM x (1 - DR) x (dbE - 80)].

[] Designates Metric Conversions





GROSS SYSTEMS PERFORMANCE DATA—RGEA15030A

		ENTERING INDOOR AIR @ 80°F [26.7°C] dbE ①									
wbE		71°F [21.7°C]			67°F [19.4°C]			63°F [17.2°C]			
CFM [L/s]		1070 [505]	975 [460]	830 [392]	1070 [505]	975 [460]	830 [392]	1070 [505]	975 [460]	830 [392]	
DR ①		0.16	0.14	0.1	0.16	0.14	0.1	0.16	0.14	0.1	
OUTDOOR DRY BULB TEMPERATURE °F [°C]	75 [23.9]	Total BTUH [kW] Sens BTUH [kW] Power	36.8 [10.8] 21.5 [6.3] 1.7	36.1 [10.6] 20.5 [6.0] 1.7	35.2 [10.3] 19.1 [5.6] 1.6	34.3 [10.1] 25.1 [7.4] 1.7	33.7 [9.9] 24.0 [7.0] 1.6	32.8 [9.6] 22.4 [6.6] 1.6	32.4 [9.5] 28.3 [8.3] 1.6	31.8 [9.3] 27.1 [7.9] 1.6	31.0 [9.1] 25.2 [7.4] 1.6
	80 [26.7]	Total BTUH [kW] Sens BTUH [kW] Power	35.7 [10.5] 21.0 [6.1] 1.8	35.1 [10.3] 20.1 [5.9] 1.7	34.2 [10.0] 18.7 [5.5] 1.7	33.3 [9.7] 24.7 [7.2] 1.7	32.7 [9.6] 23.6 [6.9] 1.7	31.8 [9.3] 21.9 [6.4] 1.7	31.3 [9.2] 27.8 [8.2] 1.7	30.8 [9.0] 26.6 [7.8] 1.7	30.0 [8.8] 24.8 [7.3] 1.7
	85 [29.4]	Total BTUH [kW] Sens BTUH [kW] Power	34.7 [10.2] 20.5 [6.0] 1.9	34.1 [10.0] 19.6 [5.7] 1.8	33.2 [9.7] 18.2 [5.3] 1.8	32.2 [9.4] 24.2 [7.1] 1.8	31.7 [9.3] 23.1 [6.8] 1.8	30.8 [9.0] 21.5 [6.3] 1.8	30.3 [8.9] 27.4 [8.0] 1.8	29.8 [8.7] 26.2 [7.7] 1.8	29.0 [8.5] 24.3 [7.1] 1.8
	90 [32.2]	Total BTUH [kW] Sens BTUH [kW] Power	33.7 [9.9] 20.0 [5.9] 2.0	33.1 [9.7] 19.1 [5.6] 1.9	32.2 [9.4] 17.8 [5.2] 1.9	31.2 [9.1] 23.6 [6.9] 1.9	30.6 [9.0] 22.6 [6.6] 1.9	29.8 [8.7] 21.0 [6.2] 1.9	29.2 [8.6] 26.8 [7.9] 1.9	28.7 [8.4] 25.7 [7.5] 1.9	28.0 [8.2] 23.9 [7.0] 1.9
	95 [35]	Total BTUH [kW] Sens BTUH [kW] Power	32.6 [9.5] 19.4 [5.7] 2.1	32.0 [9.4] 18.6 [5.4] 2.1	31.2 [9.1] 17.3 [5.1] 2.0	30.1 [8.8] 23.1 [6.8] 2.1	29.6 [8.7] 22.1 [6.5] 2.0	28.8 [8.4] 20.5 [6.0] 2.0	28.2 [8.3] 26.3 [7.7] 2.0	27.7 [8.1] 25.1 [7.4] 2.0	26.9 [7.9] 23.4 [6.9] 2.0
	100 [37.8]	Total BTUH [kW] Sens BTUH [kW] Power	31.5 [9.2] 18.8 [5.5] 2.2	31.0 [9.1] 18.0 [5.3] 2.2	30.1 [8.8] 16.8 [4.9] 2.1	29.0 [8.5] 22.5 [6.6] 2.2	28.5 [8.4] 21.5 [6.3] 2.2	27.7 [8.1] 20.0 [5.9] 2.1	27.1 [7.9] 25.7 [7.5] 2.2	26.6 [7.8] 24.6 [7.2] 2.1	25.9 [7.6] 22.9 [6.7] 2.1
	105 [40.6]	Total BTUH [kW] Sens BTUH [kW] Power	30.4 [8.9] 18.2 [5.3] 2.3	29.9 [8.8] 17.4 [5.1] 2.3	29.1 [8.5] 16.2 [4.8] 2.3	27.9 [8.2] 21.9 [6.4] 2.3	27.4 [8.0] 20.9 [6.1] 2.3	26.7 [7.8] 19.5 [5.7] 2.3	26.0 [7.6] 25.1 [7.4] 2.3	25.6 [7.5] 24.0 [7.0] 2.3	24.9 [7.3] 22.3 [6.5] 2.2
	110 [43.3]	Total BTUH [kW] Sens BTUH [kW] Power	29.3 [8.6] 17.6 [5.2] 2.5	28.8 [8.4] 16.8 [4.9] 2.4	28.0 [8.2] 15.7 [4.6] 2.4	26.8 [7.9] 21.3 [6.2] 2.4	26.4 [7.7] 20.3 [6.0] 2.4	25.6 [7.5] 18.9 [5.5] 2.4	24.9 [7.3] 24.4 [7.2] 2.4	24.5 [7.2] 23.4 [6.9] 2.4	23.8 [7.0] 21.8 [6.4] 2.4
	115 [46.1]	Total BTUH [kW] Sens BTUH [kW] Power	28.2 [8.3] 16.9 [5.0] 2.6	27.7 [8.1] 16.2 [4.7] 2.6	27.0 [7.9] 15.1 [4.4] 2.5	25.7 [7.5] 20.6 [6.0] 2.6	25.3 [7.4] 19.7 [5.8] 2.6	24.6 [7.2] 18.3 [5.4] 2.5	23.8 [7.0] 23.8 [7.0] 2.6	23.4 [6.8] 22.7 [6.7] 2.6	22.7 [6.7] 21.2 [6.2] 2.5
	120 [48.9]	Total BTUH [kW] Sens BTUH [kW] Power	27.1 [7.9] 16.2 [4.8] 2.8	26.6 [7.8] 15.5 [4.5] 2.7	25.9 [7.6] 14.4 [4.2] 2.7	24.6 [7.2] 19.9 [5.8] 2.7	24.2 [7.1] 19.0 [5.6] 2.7	23.5 [6.9] 17.7 [5.2] 2.7	22.7 [6.6] 22.7 [6.6] 2.7	22.3 [6.5] 22.1 [6.5] 2.7	21.7 [6.3] 20.5 [6.0] 2.7
125 [51.7]	Total BTUH [kW] Sens BTUH [kW] Power	25.9 [7.6] 15.5 [4.5] 2.9	25.5 [7.5] 14.8 [4.3] 2.9	24.8 [7.3] 13.8 [4.0] 2.8	23.4 [6.9] 19.2 [5.6] 2.9	23.0 [6.7] 18.3 [5.4] 2.9	22.4 [6.6] 17.1 [5.0] 2.8	21.5 [6.3] 21.5 [6.3] 2.9	21.1 [6.2] 21.1 [6.2] 2.9	20.6 [6.0] 19.9 [5.8] 2.8	

DR —Depression ratio
dbE —Entering air dry bulb
wbE—Entering air wet bulb

Total —Total capacity x 1000 BTUH
Sens —Sensible capacity x 1000 BTUH
Power —KW input

NOTES: ① When the entering air dry bulb is other than 80°F [27°C], adjust the sensible capacity from the table by adding [1.10 x CFM x (1 – DR) x (dbE – 80)].

[] Designates Metric Conversions





GROSS SYSTEMS PERFORMANCE DATA—RGEA15036A

ENTERING INDOOR AIR @ 80°F [26.7°C] dbE ①											
wbE		71°F [21.7°C]			67°F [19.4°C]			63°F [17.2°C]			
CFM [L/s]		1320 [623]	1200 [566]	1020 [481]	1320 [623]	1200 [566]	1020 [481]	1320 [623]	1200 [566]	1020 [481]	
DR ①		0.19	0.18	0.15	0.19	0.18	0.15	0.19	0.18	0.15	
OUTDOOR DRY BULB TEMPERATURE °F [°C]	75 [23.9]	Total BTUH [kW] Sens BTUH [kW] Power	44.8 [13.1] 26.2 [7.7] 2.0	44.0 [12.9] 25.0 [7.3] 2.0	42.8 [12.5] 23.3 [6.8] 2.0	41.9 [12.3] 30.6 [9.0] 2.0	41.1 [12.1] 29.2 [8.6] 2.0	40.0 [11.7] 27.2 [8.0] 2.0	38.9 [11.4] 33.9 [9.9] 2.0	38.2 [11.2] 32.4 [9.5] 2.0	37.2 [10.9] 30.1 [8.8] 2.0
	80 [26.7]	Total BTUH [kW] Sens BTUH [kW] Power	43.5 [12.8] 25.4 [7.5] 2.1	42.7 [12.5] 24.3 [7.1] 2.1	41.6 [12.2] 22.6 [6.6] 2.1	40.6 [11.9] 29.9 [8.7] 2.1	39.9 [11.7] 28.5 [8.4] 2.1	38.8 [11.4] 26.5 [7.8] 2.1	37.6 [11.0] 33.2 [9.7] 2.1	36.9 [10.8] 31.7 [9.3] 2.1	35.9 [10.5] 29.5 [8.6] 2.1
	85 [29.4]	Total BTUH [kW] Sens BTUH [kW] Power	42.2 [12.4] 24.7 [7.2] 2.3	41.4 [12.1] 23.6 [6.9] 2.2	40.3 [11.8] 21.9 [6.4] 2.2	39.3 [11.5] 29.1 [8.5] 2.2	38.6 [11.3] 27.8 [8.1] 2.2	37.5 [11.0] 25.9 [7.6] 2.2	36.3 [10.6] 32.4 [9.5] 2.2	35.6 [10.4] 31.0 [9.1] 2.2	34.6 [10.2] 28.8 [8.4] 2.2
	90 [32.2]	Total BTUH [kW] Sens BTUH [kW] Power	40.9 [12.0] 23.9 [7.0] 2.4	40.1 [11.8] 22.9 [6.7] 2.4	39.0 [11.4] 21.3 [6.2] 2.3	37.9 [11.1] 28.3 [8.3] 2.4	37.2 [10.9] 27.1 [7.9] 2.4	36.2 [10.6] 25.2 [7.4] 2.3	34.9 [10.2] 31.6 [9.3] 2.4	34.3 [10.1] 30.2 [8.9] 2.3	33.4 [9.8] 28.1 [8.2] 2.3
	95 [35]	Total BTUH [kW] Sens BTUH [kW] Power	39.5 [11.6] 23.1 [6.8] 2.5	38.8 [11.4] 22.1 [6.5] 2.5	37.7 [11.1] 20.6 [6.0] 2.5	36.6 [10.7] 27.5 [8.1] 2.5	35.9 [10.5] 26.3 [7.7] 2.5	34.9 [10.2] 24.5 [7.2] 2.5	33.6 [9.8] 30.9 [9.0] 2.5	33.0 [9.7] 29.5 [8.6] 2.5	32.1 [9.4] 27.4 [8.0] 2.5
	100 [37.8]	Total BTUH [kW] Sens BTUH [kW] Power	38.1 [11.2] 22.3 [6.5] 2.7	37.5 [11.0] 21.3 [6.3] 2.7	36.4 [10.7] 19.9 [5.8] 2.6	35.2 [10.3] 26.7 [7.8] 2.7	34.6 [10.1] 25.6 [7.5] 2.7	33.6 [9.9] 23.8 [7.0] 2.6	32.2 [9.4] 30.1 [8.8] 2.7	31.6 [9.3] 28.7 [8.4] 2.6	30.8 [9.0] 26.7 [7.8] 2.6
	105 [40.6]	Total BTUH [kW] Sens BTUH [kW] Power	36.8 [10.8] 21.5 [6.3] 2.9	36.1 [10.6] 20.6 [6.0] 2.8	35.1 [10.3] 19.1 [5.6] 2.8	33.8 [9.9] 25.9 [7.6] 2.8	33.2 [9.7] 24.8 [7.3] 2.8	32.3 [9.5] 23.0 [6.7] 2.8	30.8 [9.0] 29.2 [8.6] 2.8	30.3 [8.9] 27.9 [8.2] 2.8	29.5 [8.6] 26.0 [7.6] 2.8
	110 [43.3]	Total BTUH [kW] Sens BTUH [kW] Power	35.4 [10.4] 20.7 [6.1] 3.0	34.7 [10.2] 19.8 [5.8] 3.0	33.8 [9.9] 18.4 [5.4] 3.0	32.4 [9.5] 25.1 [7.4] 3.0	31.9 [9.3] 24.0 [7.0] 3.0	31.0 [9.1] 22.3 [6.5] 3.0	29.4 [8.6] 28.4 [8.3] 3.0	28.9 [8.5] 27.1 [8.0] 3.0	28.1 [8.2] 25.2 [7.4] 2.9
	115 [46.1]	Total BTUH [kW] Sens BTUH [kW] Power	34.0 [10.0] 19.8 [5.8] 3.2	33.4 [9.8] 18.9 [5.5] 3.2	32.4 [9.5] 17.6 [5.2] 3.2	31.0 [9.1] 24.2 [7.1] 3.2	30.5 [8.9] 23.1 [6.8] 3.2	29.6 [8.7] 21.5 [6.3] 3.1	28.0 [8.2] 27.5 [8.1] 3.2	27.5 [8.1] 26.3 [7.7] 3.2	26.8 [7.8] 24.5 [7.2] 3.1
	120 [48.9]	Total BTUH [kW] Sens BTUH [kW] Power	32.5 [9.5] 18.9 [5.6] 3.4	32.0 [9.4] 18.1 [5.3] 3.4	31.1 [9.1] 16.8 [4.9] 3.4	29.6 [8.7] 23.3 [6.8] 3.4	29.1 [8.5] 22.3 [6.5] 3.4	28.3 [8.3] 20.7 [6.1] 3.3	26.6 [7.8] 26.6 [7.8] 3.4	26.1 [7.7] 25.5 [7.5] 3.4	25.4 [7.4] 23.7 [6.9] 3.3
	125 [51.7]	Total BTUH [kW] Sens BTUH [kW] Power	31.1 [9.1] 18.0 [5.3] 3.6	30.5 [9.0] 17.2 [5.1] 3.6	29.7 [8.7] 16.0 [4.7] 3.6	28.2 [8.3] 22.4 [6.6] 3.6	27.7 [8.1] 21.4 [6.3] 3.6	26.9 [7.9] 19.9 [5.8] 3.6	25.2 [7.4] 25.2 [7.4] 3.6	24.7 [7.2] 24.6 [7.2] 3.6	24.1 [7.0] 22.9 [6.7] 3.5

DR —Depression ratio
dbE —Entering air dry bulb
wbE —Entering air wet bulb

Total —Total capacity x 1000 BTUH
Sens —Sensible capacity x 1000 BTUH
Power —kW input

NOTES: ① When the entering air dry bulb is other than 80°F [27°C], adjust the sensible capacity from the table by adding [1.10 x CFM x (1 - DR) x (dbE - 80)].

[] Designates Metric Conversions





GROSS SYSTEMS PERFORMANCE DATA—RGEA15042A

		ENTERING INDOOR AIR @ 80°F [26.7°C] dbE ①									
wbE		71°F [21.7°C]			67°F [19.4°C]			63°F [17.2°C]			
CFM [L/s]		1430 [675]	1300 [614]	1100 [519]	1430 [675]	1300 [614]	1100 [519]	1430 [675]	1300 [614]	1100 [519]	
DR ①		0.17	0.16	0.13	0.17	0.16	0.13	0.17	0.16	0.13	
OUTDOOR DRY BULB TEMPERATURE °F [°C]	75 [23.9]	Total BTUH [kW] Sens BTUH [kW] Power	50.1 [14.7] 28.6 [8.4] 2.4	49.2 [14.4] 27.3 [8.0] 2.3	47.8 [14.0] 25.3 [7.4] 2.3	47.2 [13.8] 33.9 [9.9] 2.4	46.4 [13.6] 32.4 [9.5] 2.3	45.1 [13.2] 30.0 [8.8] 2.3	44.7 [13.1] 38.8 [11.4] 2.3	43.9 [12.9] 37.1 [10.9] 2.3	42.7 [12.5] 34.4 [10.1] 2.3
	80 [26.7]	Total BTUH [kW] Sens BTUH [kW] Power	48.8 [14.3] 27.9 [8.2] 2.5	47.9 [14.0] 26.7 [7.8] 2.5	46.6 [13.6] 24.8 [7.3] 2.5	45.9 [13.5] 33.2 [9.7] 2.5	45.1 [13.2] 31.8 [9.3] 2.5	43.8 [12.8] 29.5 [8.6] 2.4	43.4 [12.7] 38.1 [11.2] 2.5	42.6 [12.5] 36.4 [10.7] 2.5	41.5 [12.1] 33.8 [9.9] 2.4
	85 [29.4]	Total BTUH [kW] Sens BTUH [kW] Power	47.4 [13.9] 27.2 [8.0] 2.7	46.6 [13.7] 26.0 [7.6] 2.6	45.3 [13.3] 24.2 [7.1] 2.6	44.6 [13.1] 32.6 [9.5] 2.6	43.8 [12.8] 31.1 [9.1] 2.6	42.6 [12.5] 28.9 [8.5] 2.6	42.1 [12.3] 37.5 [11.0] 2.6	41.3 [12.1] 35.8 [10.5] 2.6	40.2 [11.8] 33.2 [9.7] 2.6
	90 [32.2]	Total BTUH [kW] Sens BTUH [kW] Power	46.1 [13.5] 26.5 [7.8] 2.8	45.3 [13.3] 25.3 [7.4] 2.8	44.0 [12.9] 23.5 [6.9] 2.8	43.2 [12.7] 31.8 [9.3] 2.8	42.5 [12.4] 30.4 [8.9] 2.8	41.3 [12.1] 28.2 [8.3] 2.7	40.7 [11.9] 36.8 [10.8] 2.8	40.0 [11.7] 35.1 [10.3] 2.8	38.9 [11.4] 32.6 [9.6] 2.7
	95 [35]	Total BTUH [kW] Sens BTUH [kW] Power	44.7 [13.1] 25.8 [7.6] 3.0	43.9 [12.9] 24.6 [7.2] 3.0	42.7 [12.5] 22.9 [6.7] 2.9	41.8 [12.3] 31.1 [9.1] 3.0	41.1 [12.0] 29.7 [8.7] 3.0	39.9 [11.7] 27.6 [8.1] 2.9	39.3 [11.5] 36.0 [10.5] 3.0	38.6 [11.3] 34.4 [10.1] 2.9	37.5 [11.0] 31.9 [9.4] 2.9
	100 [37.8]	Total BTUH [kW] Sens BTUH [kW] Power	43.3 [12.7] 25.0 [7.3] 3.2	42.5 [12.4] 23.9 [7.0] 3.2	41.3 [12.1] 22.1 [6.5] 3.1	40.4 [11.8] 30.3 [8.9] 3.2	39.7 [11.6] 28.9 [8.5] 3.1	38.6 [11.3] 26.9 [7.9] 3.1	37.9 [11.1] 35.2 [10.3] 3.2	37.2 [10.9] 33.6 [9.9] 3.1	36.2 [10.6] 31.2 [9.1] 3.1
	105 [40.6]	Total BTUH [kW] Sens BTUH [kW] Power	41.8 [12.2] 24.1 [7.1] 3.4	41.0 [12.0] 23.1 [6.8] 3.4	39.9 [11.7] 21.4 [6.3] 3.3	38.9 [11.4] 29.4 [8.6] 3.4	38.2 [11.2] 28.1 [8.2] 3.3	37.2 [10.9] 26.1 [7.7] 3.3	36.4 [10.7] 34.4 [10.1] 3.4	35.8 [10.5] 32.8 [9.6] 3.3	34.8 [10.2] 30.5 [8.9] 3.3
	110 [43.3]	Total BTUH [kW] Sens BTUH [kW] Power	40.3 [11.8] 23.3 [6.8] 3.6	39.6 [11.6] 22.2 [6.5] 3.6	38.5 [11.3] 20.6 [6.0] 3.5	37.4 [11.0] 28.6 [8.4] 3.6	36.8 [10.8] 27.3 [8.0] 3.5	35.7 [10.5] 25.3 [7.4] 3.5	34.9 [10.2] 33.5 [9.8] 3.6	34.3 [10.1] 32.0 [9.4] 3.5	33.3 [9.8] 29.7 [8.7] 3.5
	115 [46.1]	Total BTUH [kW] Sens BTUH [kW] Power	38.7 [11.4] 22.3 [6.5] 3.8	38.0 [11.1] 21.4 [6.3] 3.8	37.0 [10.8] 19.8 [5.8] 3.7	35.9 [10.5] 27.7 [8.1] 3.8	35.3 [10.3] 26.4 [7.7] 3.8	34.3 [10.0] 24.5 [7.2] 3.7	33.4 [9.8] 32.6 [9.5] 3.8	32.8 [9.6] 31.1 [9.1] 3.7	31.9 [9.3] 28.9 [8.5] 3.7
	120 [48.9]	Total BTUH [kW] Sens BTUH [kW] Power	37.2 [10.9] 21.4 [6.3] 4.0	36.5 [10.7] 20.4 [6.0] 4.0	35.5 [10.4] 19.0 [5.6] 3.9	34.3 [10.1] 26.7 [7.8] 4.0	33.7 [9.9] 25.5 [7.5] 4.0	32.8 [9.6] 23.7 [6.9] 3.9	31.8 [9.3] 31.6 [9.3] 4.0	31.2 [9.2] 30.2 [8.9] 4.0	30.4 [8.9] 28.0 [8.2] 3.9
	125 [51.7]	Total BTUH [kW] Sens BTUH [kW] Power	35.6 [10.4] 20.4 [6.0] 4.3	34.9 [10.2] 19.5 [5.7] 4.2	33.9 [9.9] 18.1 [5.3] 4.2	32.7 [9.6] 25.7 [7.5] 4.3	32.1 [9.4] 24.6 [7.2] 4.2	31.2 [9.2] 22.8 [6.7] 4.2	30.2 [8.8] 30.2 [8.8] 4.2	29.7 [8.7] 29.3 [8.6] 4.2	28.8 [8.4] 27.2 [8.0] 4.1

DR —Depression ratio
dbE —Entering air dry bulb
wbE—Entering air wet bulb

Total —Total capacity x 1000 BTUH
Sens —Sensible capacity x 1000 BTUH
Power —KW input

NOTES: ① When the entering air dry bulb is other than 80°F [27°C], adjust the sensible capacity from the table by adding [1.10 x CFM x (1 - DR) x (dbE - 80)].

[] Designates Metric Conversions



GROSS SYSTEMS PERFORMANCE DATA—RGEA15048A

ENTERING INDOOR AIR @ 80°F [26.7°C] dbE ①											
wbE		71°F [21.7°C]			67°F [19.4°C]			63°F [17.2°C]			
CFM [L/s]		1700 [802]	1550 [732]	1320 [623]	1700 [802]	1550 [732]	1320 [623]	1700 [802]	1550 [732]	1320 [623]	
DR ①		0.19	0.18	0.15	0.19	0.18	0.15	0.19	0.18	0.15	
OUTDOOR DRY BULB TEMPERATURE °F [°C]	75 [23.9]	Total BTUH [kW] Sens BTUH [kW] Power	58.3 [17.1] 33.2 [9.7] 2.7	57.3 [16.8] 31.8 [9.3] 2.6	55.8 [16.3] 29.6 [8.7] 2.6	54.6 [16.0] 39.2 [11.5] 2.7	53.7 [15.7] 37.5 [11.0] 2.6	52.2 [15.3] 34.9 [10.2] 2.6	51.6 [15.1] 44.7 [13.1] 2.6	50.7 [14.9] 42.8 [12.5] 2.6	49.3 [14.5] 39.8 [11.7] 2.6
	80 [26.7]	Total BTUH [kW] Sens BTUH [kW] Power	56.8 [16.7] 32.5 [9.5] 2.8	55.8 [16.4] 31.1 [9.1] 2.8	54.3 [15.9] 28.9 [8.5] 2.8	53.1 [15.6] 38.5 [11.3] 2.8	52.2 [15.3] 36.8 [10.8] 2.8	50.8 [14.9] 34.3 [10.0] 2.7	50.1 [14.7] 44.0 [12.9] 2.8	49.2 [14.4] 42.1 [12.3] 2.8	47.9 [14.0] 39.2 [11.5] 2.7
	85 [29.4]	Total BTUH [kW] Sens BTUH [kW] Power	55.3 [16.2] 31.7 [9.3] 3.0	54.3 [15.9] 30.3 [8.9] 2.9	52.8 [15.5] 28.2 [8.3] 2.9	51.5 [15.1] 37.7 [11.0] 2.9	50.6 [14.8] 36.0 [10.6] 2.9	49.3 [14.4] 33.6 [9.8] 2.9	48.5 [14.2] 43.2 [12.7] 2.9	47.7 [14.0] 41.3 [12.1] 2.9	46.4 [13.6] 38.4 [11.3] 2.9
	90 [32.2]	Total BTUH [kW] Sens BTUH [kW] Power	53.6 [15.7] 30.8 [9.0] 3.1	52.7 [15.4] 29.5 [8.6] 3.1	51.3 [15.0] 27.4 [8.0] 3.1	49.9 [14.6] 36.8 [10.8] 3.1	49.0 [14.4] 35.2 [10.3] 3.1	47.7 [14.0] 32.8 [9.6] 3.0	46.9 [13.7] 42.3 [12.4] 3.1	46.1 [13.5] 40.5 [11.9] 3.1	44.8 [13.1] 37.7 [11.0] 3.0
	95 [35]	Total BTUH [kW] Sens BTUH [kW] Power	51.9 [15.2] 29.9 [8.8] 3.3	51.0 [14.9] 28.6 [8.4] 3.3	49.6 [14.5] 26.6 [7.8] 3.2	48.2 [14.1] 35.9 [10.5] 3.3	47.3 [13.9] 34.3 [10.1] 3.3	46.1 [13.5] 32.0 [9.4] 3.2	45.2 [13.2] 41.4 [12.1] 3.3	44.4 [13.0] 39.6 [11.6] 3.3	43.2 [12.7] 36.8 [10.8] 3.2
	100 [37.8]	Total BTUH [kW] Sens BTUH [kW] Power	50.1 [14.7] 28.9 [8.5] 3.5	49.2 [14.4] 27.6 [8.1] 3.5	47.9 [14.0] 25.7 [7.5] 3.4	46.4 [13.6] 34.9 [10.2] 3.5	45.6 [13.4] 33.4 [9.8] 3.5	44.3 [13.0] 31.1 [9.1] 3.4	43.4 [12.7] 40.4 [11.8] 3.5	42.6 [12.5] 38.6 [11.3] 3.4	41.5 [12.2] 36.0 [10.5] 3.4
	105 [40.6]	Total BTUH [kW] Sens BTUH [kW] Power	48.2 [14.1] 27.8 [8.2] 3.7	47.4 [13.9] 26.6 [7.8] 3.7	46.1 [13.5] 24.8 [7.3] 3.6	44.5 [13.0] 33.8 [9.9] 3.7	43.7 [12.8] 32.4 [9.5] 3.7	42.6 [12.5] 30.1 [8.8] 3.6	41.5 [12.2] 39.3 [11.5] 3.7	40.8 [12.0] 37.6 [11.0] 3.7	39.7 [11.6] 35.0 [10.3] 3.6
	110 [43.3]	Total BTUH [kW] Sens BTUH [kW] Power	46.3 [13.6] 26.7 [7.8] 3.9	45.5 [13.3] 25.6 [7.5] 3.9	44.3 [13.0] 23.8 [7.0] 3.9	42.6 [12.5] 32.7 [9.6] 3.9	41.9 [12.3] 31.3 [9.2] 3.9	40.7 [11.9] 29.1 [8.5] 3.8	39.6 [11.6] 38.2 [11.2] 3.9	38.9 [11.4] 36.6 [10.7] 3.9	37.9 [11.1] 34.0 [10.0] 3.8
	115 [46.1]	Total BTUH [kW] Sens BTUH [kW] Power	44.3 [13.0] 25.5 [7.5] 4.2	43.5 [12.8] 24.4 [7.2] 4.2	42.4 [12.4] 22.7 [6.7] 4.1	40.6 [11.9] 31.6 [9.2] 4.2	39.9 [11.7] 30.2 [8.8] 4.1	38.8 [11.4] 28.1 [8.2] 4.1	37.6 [11.0] 37.1 [10.9] 4.2	36.9 [10.8] 35.5 [10.4] 4.1	35.9 [10.5] 33.0 [9.7] 4.1
	120 [48.9]	Total BTUH [kW] Sens BTUH [kW] Power	42.2 [12.4] 24.3 [7.1] 4.4	41.5 [12.2] 23.3 [6.8] 4.4	40.4 [11.8] 21.7 [6.3] 4.3	38.5 [11.3] 30.3 [8.9] 4.4	37.9 [11.1] 29.0 [8.5] 4.4	36.8 [10.8] 27.0 [7.9] 4.3	35.5 [10.4] 35.5 [10.4] 4.4	34.9 [10.2] 34.3 [10.0] 4.4	34.0 [10.0] 31.9 [9.3] 4.3
	125 [51.7]	Total BTUH [kW] Sens BTUH [kW] Power	40.1 [11.8] 23.0 [6.7] 4.7	39.4 [11.5] 22.0 [6.5] 4.7	38.3 [11.2] 20.5 [6.0] 4.6	36.4 [10.7] 29.0 [8.5] 4.7	35.7 [10.5] 27.8 [8.1] 4.6	34.8 [10.2] 25.9 [7.6] 4.6	33.4 [9.8] 33.4 [9.8] 4.7	32.8 [9.6] 32.8 [9.6] 4.6	31.9 [9.4] 30.8 [9.0] 4.6





GROSS SYSTEMS PERFORMANCE DATA— RGEA15060A

ENTERING INDOOR AIR @ 80°F [26.7°C] dbE ①											
wbE		71°F [21.7°C]			67°F [19.4°C]			63°F [17.2°C]			
CFM [L/s]		2040 [963]	1850 [873]	1570 [741]	2040 [963]	1850 [873]	1570 [741]	2040 [963]	1850 [873]	1570 [741]	
DR ①		0.15	0.14	0.11	0.15	0.14	0.11	0.15	0.14	0.11	
OUTDOOR DRY BULB TEMPERATURE °F [°C]	75 [23.9]	Total BTUH [kW]	73.0 [21.4]	71.7 [21.0]	69.7 [20.4]	69.2 [20.3]	67.9 [19.9]	66.0 [19.3]	65.8 [19.3]	64.6 [18.9]	62.8 [18.4]
		Sens BTUH [kW]	42.4 [12.4]	40.5 [11.9]	37.6 [11.0]	50.0 [14.6]	47.7 [14.0]	44.3 [13.0]	56.9 [16.7]	54.3 [15.9]	50.5 [14.8]
		Power	3.6	3.6	3.5	3.6	3.5	3.5	3.5	3.5	3.5
	80 [26.7]	Total BTUH [kW]	70.9 [20.8]	69.6 [20.4]	67.7 [19.8]	67.1 [19.6]	65.8 [19.3]	64.0 [18.8]	63.7 [18.7]	62.5 [18.3]	60.8 [17.8]
		Sens BTUH [kW]	41.3 [12.1]	39.4 [11.6]	36.6 [10.7]	48.8 [14.3]	46.6 [13.7]	43.3 [12.7]	55.8 [16.4]	53.2 [15.6]	49.5 [14.5]
		Power	3.8	3.7	3.7	3.7	3.7	3.6	3.7	3.7	3.6
	85 [29.4]	Total BTUH [kW]	68.8 [20.2]	67.6 [19.8]	65.7 [19.3]	64.9 [19.0]	63.7 [18.7]	62.0 [18.2]	61.5 [18.0]	60.4 [17.7]	58.8 [17.2]
		Sens BTUH [kW]	40.1 [11.8]	38.3 [11.2]	35.6 [10.4]	47.7 [14.0]	45.5 [13.3]	42.3 [12.4]	54.6 [16.0]	52.1 [15.3]	48.5 [14.2]
		Power	4.0	3.9	3.9	3.9	3.9	3.8	3.9	3.8	3.8
	90 [32.2]	Total BTUH [kW]	66.7 [19.5]	65.4 [19.2]	63.6 [18.6]	62.8 [18.4]	61.6 [18.1]	59.9 [17.6]	59.4 [17.4]	58.3 [17.1]	56.7 [16.6]
		Sens BTUH [kW]	38.9 [11.4]	37.2 [10.9]	34.5 [10.1]	46.5 [13.6]	44.3 [13.0]	41.2 [12.1]	53.4 [15.7]	51.0 [14.9]	47.4 [13.9]
		Power	4.2	4.1	4.1	4.1	4.1	4.0	4.1	4.0	4.0
95 [35]	Total BTUH [kW]	64.5 [18.9]	63.3 [18.5]	61.5 [18.0]	60.6 [17.7]	59.5 [17.4]	57.8 [16.9]	57.2 [16.8]	56.1 [16.5]	54.6 [16.0]	
	Sens BTUH [kW]	37.7 [11.0]	36.0 [10.5]	33.4 [9.8]	45.2 [13.3]	43.2 [12.6]	40.1 [11.8]	52.2 [15.3]	49.8 [14.6]	46.3 [13.6]	
	Power	4.4	4.3	4.3	4.3	4.3	4.2	4.3	4.3	4.2	
100 [37.8]	Total BTUH [kW]	62.2 [18.2]	61.1 [17.9]	59.4 [17.4]	58.3 [17.1]	57.3 [16.8]	55.7 [16.3]	55.0 [16.1]	54.0 [15.8]	52.5 [15.4]	
	Sens BTUH [kW]	36.4 [10.7]	34.7 [10.2]	32.3 [9.5]	43.9 [12.9]	41.9 [12.3]	39.0 [11.4]	50.9 [14.9]	48.6 [14.2]	45.1 [13.2]	
	Power	4.6	4.6	4.5	4.6	4.5	4.5	4.5	4.5	4.4	
105 [40.6]	Total BTUH [kW]	60.0 [17.6]	58.9 [17.3]	57.3 [16.8]	56.1 [16.4]	55.1 [16.1]	53.5 [15.7]	52.7 [15.4]	51.8 [15.2]	50.3 [14.7]	
	Sens BTUH [kW]	35.1 [10.3]	33.5 [9.8]	31.1 [9.1]	42.6 [12.5]	40.7 [11.9]	37.8 [11.1]	49.6 [14.5]	47.3 [13.9]	44.0 [12.9]	
	Power	4.9	4.8	4.8	4.8	4.8	4.7	4.8	4.8	4.7	
110 [43.3]	Total BTUH [kW]	57.7 [16.9]	56.6 [16.6]	55.1 [16.1]	53.8 [15.8]	52.8 [15.5]	51.4 [15.1]	50.4 [14.8]	49.5 [14.5]	48.1 [14.1]	
	Sens BTUH [kW]	33.7 [9.9]	32.2 [9.4]	29.9 [8.8]	41.2 [12.1]	39.3 [11.5]	36.6 [10.7]	48.2 [14.1]	46.0 [13.5]	42.7 [12.5]	
	Power	5.2	5.1	5.0	5.1	5.1	5.0	5.1	5.0	5.0	
115 [46.1]	Total BTUH [kW]	55.4 [16.2]	54.4 [15.9]	52.9 [15.5]	51.5 [15.1]	50.5 [14.8]	49.2 [14.4]	48.1 [14.1]	47.2 [13.8]	45.9 [13.5]	
	Sens BTUH [kW]	32.3 [9.5]	30.8 [9.0]	28.6 [8.4]	39.8 [11.7]	38.0 [11.1]	35.3 [10.3]	46.8 [13.7]	44.6 [13.1]	41.5 [12.2]	
	Power	5.4	5.4	5.3	5.4	5.4	5.3	5.4	5.3	5.2	
120 [48.9]	Total BTUH [kW]	53.0 [15.5]	52.1 [15.3]	50.6 [14.8]	49.1 [14.4]	48.2 [14.1]	46.9 [13.7]	45.8 [13.4]	44.9 [13.2]	43.7 [12.8]	
	Sens BTUH [kW]	30.8 [9.0]	29.4 [8.6]	27.3 [8.0]	38.4 [11.2]	36.6 [10.7]	34.0 [10.0]	45.3 [13.3]	43.2 [12.7]	40.2 [11.8]	
	Power	5.8	5.7	5.6	5.7	5.7	5.6	5.7	5.6	5.5	
125 [51.7]	Total BTUH [kW]	50.7 [14.8]	49.7 [14.6]	48.4 [14.2]	46.8 [13.7]	45.9 [13.5]	44.6 [13.1]	43.4 [12.7]	42.6 [12.5]	41.4 [12.1]	
	Sens BTUH [kW]	29.3 [8.6]	28.0 [8.2]	26.0 [7.6]	36.9 [10.8]	35.2 [10.3]	32.7 [9.6]	43.4 [12.7]	41.8 [12.3]	38.9 [11.4]	
	Power	6.1	6.0	6.0	6.0	6.0	5.9	6.0	6.0	5.9	

DR —Depression ratio
dbE —Entering air dry bulb
wbE—Entering air wet bulb

Total —Total capacity x 1000 BTUH
Sens —Sensible capacity x 1000 BTUH
Power —KW input

NOTES: ① When the entering air dry bulb is other than 80°F [27°C], adjust the sensible capacity from the table by adding [1.10 x CFM x (1 - DR) x (dbE - 80)].

[] Designates Metric Conversions



INDOOR AIRFLOW PERFORMANCE RGEA13/14 - 208 VOLTS

Nominal Cooling Capacity Tons [kW]	Motor Speed from Factory		Heating Input BTU/HR [kW]	Manufacturer Recommended Cooling Airflow (Min/Max)	Blower Size/ Motor HP [W] & # of Speeds	Motor Speed / Tap	External Static Pressure - Inches W.C. [kPa] (Site Discharge-Dry Coil)														
	Cool	Heat					0.1 [0.2]	0.2 [0.05]	0.3 [0.07]	0.4 [0.10]	0.5 [0.12]	0.6 [0.15]	0.7 [0.17]	0.8 [0.20]	0.9 [0.22]	1.0 [0.25]					
2.0 [7.03]	High	High	40,000 [11.72]	700 CFM / 950 CFM	9x7 Blower / 1/4 HP [186] 2 Speed (PSC Motor)	Low	CFM	706 [333]	685 [323]	661 [312]	614 [290]	523 [247]	437 [206]	334 [158]							
		Watts					844	886	943	989	1036	1067	1095								
	High	High	60,000 [17.58]			CFM	925 [437]	874 [412]	813 [384]	763 [360]	681 [321]	534 [252]	441 [208]								
		Watts				1004	1027	1058	1070	1091	1116	1128									
2.5 [8.79]	Low	Low	60,000 [17.58]	850 CFM / 1150 CFM	10x9 Blower / 1/2 HP [372] 3 Speed (PSC Motor)	Low	CFM	967 [456]	947 [447]	892 [421]	813 [384]	740 [349]	681 [321]	613 [289]	504 [238]						
		Watts					819	876	916	966	995	1018	1040	1066							
	High	High	80,000 [23.45]			CFM	1119 [528]	1081 [510]	1029 [486]	968 [457]	851 [402]	774 [365]	699 [330]	613 [289]							
		Watts				891	930	965	995	1026	1047	1059	1078	241							
3.0 [10.55]	High	High	80,000 [23.45]	1000 CFM / 1400 CFM	12x9T Blower / 1/2 HP [372] 2 Speed (PSC Motor)	High	CFM	1311 [619]	1249 [589]	1168 [551]	1089 [514]	985 [465]	861 [406]	779 [368]	699 [330]						
		Watts					1010	1031	1046	1066	1080	1095	1106	1113	300						
	Low	Low	60,000 [17.58]			CFM	1163 [549]	1115 [526]	1075 [507]	1012 [478]	926 [437]	841 [397]	753 [355]	647 [305]							
		Watts				771	804	844	870	910	932	968	992	316							
3.5 [12.31]	High	High	80,000 [23.45] / 100,000 [29.31]	1200 CFM / 1600 CFM	12x9T Blower / 3/4 HP [559] 5 Speed (Constant Torque)	High	CFM	1543 [728]	1484 [700]	1422 [671]	1345 [635]	1251 [590]	1177 [555]	1071 [505]	939 [443]						
		Watts					939	957	975	1345	1251	1177	1037	1051							
	Tap 5	Tap 2	80,000 [23.45]			CFM	1346 [635]	1304 [615]	1264 [597]	1232 [581]	1185 [559]	1139 [538]	1092 [515]	1048 [495]							
		Watts				291	302	310	319	333	338	353	362								
Tap 5	Tap 3	Tap 2	80,000 [23.45]	1200 CFM / 1600 CFM	12x9T Blower / 3/4 HP [559] 5 Speed (Constant Torque)	Tap 3	CFM	1346 [635]	1304 [615]	1264 [597]	1232 [581]	1185 [559]	1139 [538]	1092 [515]	1048 [495]						
		Watts					291	302	310	319	333	338	353	362							
	Tap 5	Tap 3	100,000 [29.31]			CFM	1411 [666]	1375 [649]	1343 [634]	1315 [621]	1269 [599]	1242 [586]	1203 [568]	1133 [535]							
		Watts				862	886	915	951	975	1011	1025	1074								
Tap 5	Tap 5	Tap 3	100,000 [29.31]	1200 CFM / 1600 CFM	12x9T Blower / 3/4 HP [559] 5 Speed (Constant Torque)	Tap 4	CFM	1346 [635]	1304 [615]	1264 [597]	1232 [581]	1185 [559]	1139 [538]	1092 [515]	1048 [495]						
		Watts					291	302	310	319	333	338	353	362							
	Tap 5	Tap 5	100,000 [29.31]			CFM	1596 [753]	1547 [730]	1520 [717]	1499 [707]	1471 [694]	1421 [671]	1383 [653]	1332 [629]							
		Watts				940	973	988	1020	1038	1068	1102	1122								
Tap 5	Tap 5	Tap 5	100,000 [29.31]	1200 CFM / 1600 CFM	12x9T Blower / 3/4 HP [559] 5 Speed (Constant Torque)	Tap 5	CFM	1596 [753]	1547 [730]	1520 [717]	1499 [707]	1471 [694]	1421 [671]	1383 [653]	1332 [629]						
		Watts					940	973	988	1020	1038	1068	1102	1122							
Tap 5	Tap 5	Tap 5	100,000 [29.31]			1200 CFM / 1600 CFM	12x9T Blower / 3/4 HP [559] 5 Speed (Constant Torque)	Tap 5	CFM	1596 [753]	1547 [730]	1520 [717]	1499 [707]	1471 [694]	1421 [671]	1383 [653]	1332 [629]				
		Watts							940	973	988	1020	1038	1068	1102	1122					
Tap 5	Tap 5	Tap 5	100,000 [29.31]	1200 CFM / 1600 CFM	12x9T Blower / 3/4 HP [559] 5 Speed (Constant Torque)			Tap 5	CFM	1596 [753]	1547 [730]	1520 [717]	1499 [707]	1471 [694]	1421 [671]	1383 [653]	1332 [629]				
		Watts							940	973	988	1020	1038	1068	1102	1122					
Tap 5	Tap 5	Tap 5	100,000 [29.31]			1200 CFM / 1600 CFM	12x9T Blower / 3/4 HP [559] 5 Speed (Constant Torque)	Tap 5	CFM	1596 [753]	1547 [730]	1520 [717]	1499 [707]	1471 [694]	1421 [671]	1383 [653]	1332 [629]				
		Watts							940	973	988	1020	1038	1068	1102	1122					
Tap 5	Tap 5	Tap 5	100,000 [29.31]	1200 CFM / 1600 CFM	12x9T Blower / 3/4 HP [559] 5 Speed (Constant Torque)			Tap 5	CFM	1596 [753]	1547 [730]	1520 [717]	1499 [707]	1471 [694]	1421 [671]	1383 [653]	1332 [629]				
		Watts							940	973	988	1020	1038	1068	1102	1122					
Tap 5	Tap 5	Tap 5	100,000 [29.31]			1200 CFM / 1600 CFM	12x9T Blower / 3/4 HP [559] 5 Speed (Constant Torque)	Tap 5	CFM	1596 [753]	1547 [730]	1520 [717]	1499 [707]	1471 [694]	1421 [671]	1383 [653]	1332 [629]				
		Watts							940	973	988	1020	1038	1068	1102	1122					
Tap 5	Tap 5	Tap 5	100,000 [29.31]	1200 CFM / 1600 CFM	12x9T Blower / 3/4 HP [559] 5 Speed (Constant Torque)			Tap 5	CFM	1596 [753]	1547 [730]	1520 [717]	1499 [707]	1471 [694]	1421 [671]	1383 [653]	1332 [629]				
		Watts							940	973	988	1020	1038	1068	1102	1122					
Tap 5	Tap 5	Tap 5	100,000 [29.31]			1200 CFM / 1600 CFM	12x9T Blower / 3/4 HP [559] 5 Speed (Constant Torque)	Tap 5	CFM	1596 [753]	1547 [730]	1520 [717]	1499 [707]	1471 [694]	1421 [671]	1383 [653]	1332 [629]				
		Watts							940	973	988	1020	1038	1068	1102	1122					

Note: Set 3-1/2 through 5 ton Cool to Tap 4 for AHRI rated performance

[] Designates Metric Conversions



Air

INDOOR AIRFLOW PERFORMANCE RGEA13/14 - 208 VOLTS (continued)

Nominal Cooling Capacity Tons [kW]	Motor Speed from Factory		Heating Input BTU/HR [kW]	Manufacturer Recommended Cooling Airflow (Min/Max)	Blower Size/ Motor HP [W] & # of Speeds	Motor Speed / Tap	External Static Pressure - Inches W.C. [kPa] (Side Discharge-Dry Coil)									
	Cool	Heat					0.1 [.02]	0.2 [.05]	0.3 [.07]	0.4 [.10]	0.5 [.12]	0.6 [.15]	0.7 [0.17]	0.8 [.20]	0.9 [.22]	1.0 [.25]
4.0 [14.07]	Tap 2	Cool	80,000 [23.45]	1350 CFM / 1850 CFM	12x9T Blower 3/4 HP [559] 5 Speed (Constant Torque)	Tap 1 Unused	CFM 1367 [645]	1327 [626]	1299 [613]	1248 [589]	1203 [568]	1162 [548]	1127 [532]	1064 [502]	965 [455]	902 [426]
						Watts 744	778	813	843	873	910	938	985	1030	1058	
						Tap 2 80K	CFM 1367 [645]	1327 [626]	1299 [613]	1248 [589]	1203 [568]	1162 [548]	1127 [532]	1064 [502]	965 [455]	902 [426]
						Watts 744	778	813	843	873	910	938	985	1030	1058	
						Tap 3 100K	CFM 1452 [685]	1402 [662]	1367 [645]	1327 [626]	1283 [606]	1247 [589]	1205 [569]	1183 [558]	1103 [521]	1007 [475]
	Watts 778	808	839	870	895	930	962	993	1035	1078						
	Tap 5	Cool	100,000 [29.31]	1350 CFM / 1850 CFM	12x9R Blower 1 HP [746] 5 Speed (Constant Torque)	Tap 4 Low Static Cool	CFM 1652 [780]	1621 [765]	1583 [747]	1539 [726]	1512 [714]	1478 [698]	1422 [671]	1408 [665]	1354 [639]	1332 [629]
						Watts 870	895	919	949	969	1000	1032	1049	1071	1107	
						Tap 5 High Static Cool	CFM 1993 [941]	1941 [916]	1890 [892]	1874 [884]	1822 [860]	1755 [828]	1698 [801]	1627 [768]	1552 [732]	1442 [681]
						Watts 408	423	433	445	455	464	477	483	496	507	
Watts 988						1021	1035	1064	1087	1103	1113	1121	1131	1142		
5.0 [17.59]	Tap 5	Cool	1600 CFM / 2100 CFM	12x9R Blower 1 HP [746] 5 Speed (Constant Torque)	Tap 1 100K Heat	CFM 1442 [681]	1409 [665]	1344 [634]	1341 [633]	1291 [609]	1227 [579]	1199 [566]	1136 [536]	1065 [503]	1006 [475]	
					Watts 823	843	872	883	916	944	968	997	1035	1059		
					Tap 2 Unused	CFM 1235 [583]	1184 [559]	1106 [522]	1078 [509]	1021 [482]	957 [452]	897 [423]	843 [398]	791 [373]	742 [350]	
					Watts 318	330	337	341	354	364	373	381	396	404		
					Tap 3 Low Cool	CFM 1738 [820]	1680 [793]	1663 [785]	1626 [767]	1603 [757]	1554 [733]	1503 [709]	1445 [682]	1432 [676]	1386 [654]	
	Watts 218	227	242	245	258	266	276	285	287	300						
	Tap 1	Heat	100,000 [29.31]	1600 CFM / 2100 CFM	12x9R Blower 1 HP [746] 5 Speed (Constant Torque)	Tap 4 Med Cool	CFM 1884 [889]	1882 [888]	1841 [869]	1801 [850]	1760 [831]	1680 [793]	1651 [779]	1584 [748]	1508 [712]	1428 [674]
						Watts 999	1014	1048	1064	1072	1105	1121	1131	1142	1147	
						Tap 5 High Cool	CFM 2081 [982]	1969 [929]	2001 [944]	1960 [925]	1896 [895]	1818 [858]	1764 [833]	1664 [785]	1593 [752]	1499 [707]
						Watts 636	646	661	672	675	688	686	678	662	635	
Watts 1050						1102	1095	1104	1115	1126	1130	1140	1143	1147		
Watts 790	815	819	813	793	772	749	725	699	663							

Note: Set 3-1/2 through 5 ton Cool to Tap 4 for AHRI rated performance

DOWN DISCHARGE PRESSURE DROP (ADD TO EXTERNAL STATIC PRESSURE)				
CFM [L/s]	800 [378]	1000 [472]	1400 [661]	2000 [944]
Pressure Drop—Includes W.C. [kPa]	.02 [.005]	.05 [.012]	.1 [.025]	.17 [.042]

[] Designates Metric Conversions





INDOOR AIRFLOW PERFORMANCE RGEA13/14 - 230 VOLTS

Nominal Cooling Capacity Tons [kW]	Motor Speed from Factory		Heating Input BTU/HR [kW]	Manufacturer Recommended Cooling Airflow (Min/Max)	Blower Size/ Motor HP [W] & # of Speeds	Motor Speed / Tap	External Static Pressure - Inches W.C. [kPa]															
	Cool	Heat					0.1 [.02]	0.2 [.05]	0.3 [.07]	0.4 [.10]	0.5 [.12]	0.6 [.15]	0.7 [.17]	0.8 [.20]	0.9 [.22]	1.0 [.25]						
2.0 [7.03]	High	High	40,000 [11.72]	700 CFM / 950 CFM	9x7 Blower 1/4 HP [186] 2 Speed (PSC Motor)	Low	CFM	822 [388]	789 [372]	750 [354]	696 [328]	624 [294]	496 [234]	402 [190]								
		RPM	917				954	994	1031	1051	1075	1105										
	Watts	226	216	203		188	175	150	136													
	High	60,000 [17.58]																				
2.5 [8.79]	Low	High	60,000 [17.58]	850 CFM / 1150 CFM	10x9 Blower 1/2 HP [372] 3 Speed (PSC Motor)	Low	CFM	1093 [516]	1062 [501]	1001 [472]	930 [439]	815 [385]	728 [344]	663 [313]	571 [269]							
		RPM	900				935	969	999	1030	1053	1064	1082									
	Watts	375	358	335		313	283	264	249	229												
	Med	80,000 [23.45]																				
3.0 [10.55]	High	High	80,000 [23.45]	1000 CFM / 1400 CFM	12x9T Blower 1/2 HP [372] 2 Speed (PSC Motor)	High	CFM	1362 [643]	1292 [610]	1213 [572]	1133 [535]	1027 [485]	872 [412]	800 [378]	700 [330]							
		RPM	1049				1061	1073	1085	1097	1109	1116	1124									
	Watts	500	472	454		427	405	371	360	339												
	Low	60,000 [17.58]																				
3.5 [12.31]	High	High	80,000 [23.45] 100,000 [29.31]	1200 CFM / 1600 CFM	12x9T Blower 3/4 HP [559] 5 Speed (Constant Torque)	High	CFM	1336 [631]	1312 [619]	1295 [611]	1241 [586]	1200 [566]	1161 [548]	1119 [528]	1072 [506]							
		RPM	827				856	874	913	949	983	1013	1048									
	Watts	298	308	313		325	341	352	361	374												
	Tap 2	80,000 [23.45]																				
Tap 5	Tap 5	High	100,000 [29.31]	1200 CFM / 1600 CFM	12x9T Blower 3/4 HP [559] 5 Speed (Constant Torque)	High	CFM	1453 [686]	1424 [672]	1395 [658]	1347 [636]	1321 [623]	1279 [604]	1250 [590]	1214 [573]							
		RPM	836				867	904	942	953	992	1019	1048									
	Watts	334	349	364		377	380	394	409	418												
	Tap 3	100,000 [29.31]																				
Tap 5	Tap 5	High	100,000 [29.31]	1200 CFM / 1600 CFM	12x9T Blower 3/4 HP [559] 5 Speed (Constant Torque)	High	CFM	1591 [751]	1563 [738]	1558 [735]	1519 [717]	1490 [703]	1458 [688]	1410 [665]	1363 [643]							
		RPM	949				981	999	1027	1051	1086	1109	1129									
	Watts	476	490	501		515	527	542	546	543												
	Tap 5	100,000 [29.31]																				

Note: Set 3-1/2 through 5 ton Cool to Tap 4 for AHRI rated performance

[] Designates Metric Conversions





Air

INDOOR AIRFLOW PERFORMANCE RGEA13/14 - 230 VOLTS (continued)

Nominal Cooling Capacity Tons [kW]	Motor Speed from Factory		Heating Input BTU/HR [kW]	Manufacturer Recommended Cooling Airflow (Min/Max)	Blower Size/ Motor HP [W] & # of Speeds	Motor Speed / Tap	External Static Pressure - Inches W.C. [kPa] (Side Discharge-Dry Coil)										
	Cool	Heat					0.1 [.02]	0.2 [.05]	0.3 [.07]	0.4 [.10]	0.5 [.12]	0.6 [.15]	0.7 [0.17]	0.8 [0.20]	0.9 [.22]	1.0 [.25]	
4.0 [14.07]	Tap 2	Cool	80,000 [23.45]	1350 CFM / 1850 CFM	12x9T Blower 3/4 HP [559] 5 Speed (Constant Torque)	Tap 1 Unused	CFM	1368 [646]	1331 [628]	1299 [613]	1259 [594]	1221 [576]	1169 [552]	1137 [537]	1079 [509]	997 [471]	920 [434]
						RPM	749	782	813	849	877	911	946	979	1030	1061	
						Watts	250	264	275	286	295	308	321	327	346	356	
						CFM	1368 [646]	1331 [628]	1299 [613]	1259 [594]	1221 [576]	1169 [552]	1137 [537]	1079 [509]	997 [471]	920 [434]	
						RPM	749	782	813	849	877	911	946	979	1030	1061	
	Watts	250	264	275	286	295	308	321	327	346	356						
	Tap 5	Heat	100,000 [29.31]	1350 CFM / 1850 CFM	12x9T Blower 3/4 HP [559] 5 Speed (Constant Torque)	Tap 3 100K	CFM	1447 [683]	1405 [663]	1372 [648]	1342 [633]	1307 [617]	1237 [584]	1222 [577]	1186 [560]	1121 [529]	1035 [488]
	RPM	783	809	845	872	905	938	959	998	1038	1082						
	Watts	291	298	315	326	337	349	355	369	383	401						
	CFM	1657 [782]	1628 [768]	1588 [749]	1559 [736]	1519 [717]	1496 [706]	1454 [686]	1426 [673]	1394 [658]	1342 [633]						
RPM	872	897	926	953	977	1005	1031	1065	1080	1113							
Watts	417	429	444	457	462	478	488	505	509	524							
CFM	1970 [930]	1945 [918]	1920 [906]	1884 [899]	1843 [870]	1778 [839]	1704 [804]	1642 [775]	1547 [730]	1451 [685]							
RPM	1011	1038	1048	1073	1092	1104	1119	1123	1132	1145							
Watts	696	710	731	728	727	712	693	666	627	602							
CFM	1433 [676]	1407 [664]	1354 [639]	1329 [627]	1270 [599]	1235 [583]	1195 [564]	1137 [537]	1083 [511]	1030 [486]							
RPM	821	843	868	888	929	944	975	1004	1040	1065							
Watts	319	331	342	346	365	368	381	391	406	412							
CFM	1233 [582]	1158 [547]	1136 [536]	1090 [514]	1039 [490]	969 [457]	902 [426]	847 [400]	791 [373]	752 [355]							
RPM	734	774	793	822	860	892	934	957	983	1011							
Watts	223	231	238	248	259	269	288	284	295	306							
CFM	1768 [834]	1730 [816]	1693 [799]	1626 [767]	1599 [755]	1558 [735]	1522 [718]	1503 [709]	1444 [681]	1399 [660]							
RPM	938	959	983	1011	1025	1052	1089	1090	1117	1134							
Watts	520	533	541	560	563	578	599	599	605	615							
CFM	1926 [909]	1890 [892]	1864 [880]	1822 [860]	1794 [847]	1758 [830]	1710 [807]	1670 [788]	1579 [745]	1493 [705]							
RPM	999	1014	1040	1061	1079	1096	1119	1128	1138	1144							
Watts	654	660	674	688	699	708	714	705	683	661							
CFM	2096 [989]	2057 [971]	2003 [945]	1951 [921]	1890 [892]	1819 [858]	1756 [829]	1686 [796]	1610 [760]	1498 [707]							
RPM	1069	1092	1106	1116	1121	1129	1138	1140	1148	1154							
Watts	829	846	840	822	807	782	768	730	708	679							

Note: Set 3-1/2 through 5 ton Cool to Tap 4 for AHRI rated performance

DOWN DISCHARGE PRESSURE DROP (ADD TO EXTERNAL STATIC PRESSURE)							
CFM [L/s]	800 [378]	1000 [472]	1200 [566]	1400 [661]	1600 [755]	1800 [849]	2000 [944]
Pressure Drop—Includes W.C. [kPa]	.02 [.005]	.05 [.012]	.07 [.017]	.1 [.025]	.12 [.030]	.15 [.037]	.17 [.042]

[] Designates Metric Conversions





INDOOR AIRFLOW PERFORMANCE RGEA13/14 - 460 VOLTS

Nominal Cooling Capacity Tons [kW]	Motor Speed from Factory		Heating Input BTU/HR [kW]	Manufacturer Recommended Cooling Airflow (Min/Max)	Blower Size/ Motor HP [W] & # of Speeds	Motor Speed / Tap	External Static Pressure - Inches W.C. [kPa] (Side Discharge-Dry Coil)											
	Cool	Heat					0.1 [.02]	0.2 [.05]	0.3 [.07]	0.4 [.10]	0.5 [.12]	0.6 [.15]	0.7 [.17]	0.8 [.20]	0.9 [.22]	1.0 [.25]		
3.0 [10.55]	Low	High	60,000 [17.58]	1000 CFM / 1400 CFM	12x9T Blower 1/2 HP [372] 2 Speed (PSC Motor)	Low	CFM	1358 [641]	1322 [624]	1266 [597]	1209 [571]	1120 [529]	1063 [502]	970 [458]	861 [406]	828 [391]	757 [357]	
							RPM	823	849	901	932	953	979	999	1029	1055		
							Watts	505	491	481	464	447	439	422	404	393	378	
	High	High	80,000 [23.45] 100,000 [29.31]	1000 CFM / 1400 CFM	12x9T Blower 1/2 HP [372] 2 Speed (PSC Motor)	High	CFM	1682 [780]	1596 [753]	1540 [727]	1481 [699]	1402 [662]	1320 [623]	1212 [572]	1132 [534]	1079 [509]	1004 [474]	
							RPM	951	965	977	992	1007	1019	1036	1050	1063	1077	
							Watts	670	658	642	625	600	580	561	539	523	504	
3.5 [12.31]	Tap 5	Tap 2	80,000 [23.45]	1200 CFM / 1600 CFM	12x9T Blower 3/4 HP [559] 5 Speed (Constant Torque)	Tap 1 Unused	CFM	1362 [643]	1327 [626]	1294 [611]	1267 [598]	1207 [570]	1151 [543]	1131 [534]	1085 [512]	1022 [482]	956 [451]	
							RPM	794	833	872	897	948	976	1005	1038	1078	1112	
							Watts	287	295	317	317	331	351	361	365	370	399	
							CFM	1362 [643]	1327 [626]	1294 [611]	1267 [598]	1207 [570]	1151 [543]	1131 [534]	1085 [512]	1022 [482]	956 [451]	
							RPM	794	833	872	897	948	976	1005	1038	1078	1112	
							Watts	287	295	317	317	331	351	361	365	370	399	
	Tap 3	Tap 3	Tap 3	100,000 [29.31]	1200 CFM / 1600 CFM	12x9T Blower 3/4 HP [559] 5 Speed (Constant Torque)	Tap 3 100K	CFM	1435 [677]	1405 [663]	1378 [650]	1349 [637]	1309 [618]	1266 [597]	1233 [582]	1193 [563]	1134 [535]	1066 [503]
								RPM	844	867	892	927	961	991	1022	1052	1101	1130
								Watts	337	340	358	368	390	389	409	411	438	446
								CFM	1362 [643]	1327 [626]	1294 [611]	1267 [598]	1207 [570]	1151 [543]	1131 [534]	1085 [512]	1022 [482]	956 [451]
								RPM	794	833	872	897	948	976	1005	1038	1078	1112
								Watts	287	295	317	317	331	351	361	365	370	399
4.0 [14.07]	Tap 5	Tap 2	80,000 [23.45]	1350 CFM / 1850 CFM	12x9T Blower 3/4 HP [559] 5 Speed (Constant Torque)	Tap 1 Unused	CFM	1643 [775]	1609 [759]	1580 [746]	1560 [736]	1511 [713]	1494 [705]	1443 [681]	1404 [663]	1335 [630]	1244 [587]	
							RPM	927	954	986	1001	1035	1052	1083	1111	1122	1133	
							Watts	461	475	490	506	518	528	535	548	530	502	
							CFM	1340 [632]	1305 [616]	1263 [596]	1227 [579]	1186 [560]	1162 [548]	1104 [521]	1020 [481]	960 [453]	897 [423]	
							RPM	776	796	831	869	898	925	966	1011	1044	1076	
							Watts	261	268	279	291	303	310	323	339	351	361	
	Tap 3	Tap 3	Tap 3	100,000 [29.31]	1350 CFM / 1850 CFM	12x9T Blower 3/4 HP [559] 5 Speed (Constant Torque)	Tap 2 80K	CFM	1340 [632]	1305 [616]	1263 [596]	1227 [579]	1186 [560]	1162 [548]	1104 [521]	1020 [481]	960 [453]	897 [423]
								RPM	776	796	831	869	898	925	966	1011	1044	1076
								Watts	261	268	279	291	303	310	323	339	351	361
								CFM	1467 [692]	1448 [683]	1404 [663]	1373 [648]	1339 [632]	1306 [616]	1250 [590]	1210 [571]	1164 [549]	1087 [513]
								RPM	826	855	884	910	939	969	1003	1030	1067	1108
								Watts	328	344	348	363	379	387	398	408	418	434
Tap 5	Tap 5	Tap 5	100,000 [29.31]	1350 CFM / 1850 CFM	12x9T Blower 3/4 HP [559] 5 Speed (Constant Torque)	Tap 4 Low Static Cool	CFM	1634 [771]	1595 [753]	1547 [730]	1530 [722]	1487 [702]	1462 [690]	1438 [679]	1378 [650]	1352 [638]	1298 [613]	
							RPM	894	923	950	981	1000	1030	1051	1079	1106	1126	
							Watts	432	446	451	468	479	490	508	510	520	520	
							CFM	1941 [916]	1915 [904]	1878 [886]	1814 [856]	1773 [837]	1709 [807]	1655 [781]	1570 [741]	1488 [702]	1374 [648]	
							RPM	1028	1047	1068	1091	1104	1113	1124	1136	1142	1147	
							Watts	708	725	729	727	717	696	673	647	618	571	

Note: Set 3-1/2 through 5 ton Cool to Tap 4 for AHRI rated performance

[] Designates Metric Conversions





Air

Indoor Airflow Performance
RGEA15 Series

INDOOR AIRFLOW PERFORMANCE RGEA13/14 - 460 VOLTS (continued)

Nominal Cooling Capacity Tons [kW]	Motor Speed from Factory		Heating Input BTU/HR [kW]	Manufacturer Recommended Cooling Airflow (Min/Max)	Blower Size/ Motor HP [W] & # of Speeds	Motor Speed / Tap	External Static Pressure - Inches W.C. [kPa] (Side Discharge-Dry Coil)										
	Cool	Heat					0.1 [.02]	0.2 [.05]	0.3 [.07]	0.4 [.10]	0.5 [.12]	0.6 [.15]	0.7 [.17]	0.8 [.20]	0.9 [.22]	1.0 [.25]	
5.0 [17.59]	Tap 5	Tap 1	100,000 [29.31]	1600 CFM / 2100 CFM	12x9R Blower 1 HP [746] 5 Speed (Constant Torque)	Tap 1 100K Heat	CFM	1484 [700]	1440 [680]	1405 [663]	1360 [642]	1319 [622]	1280 [604]	1238 [584]	1186 [560]	1128 [532]	1047 [494]
							RPM	812	841	863	889	918	938	965	994	1026	1066
							Watts	330	338	355	354	379	381	395	408	423	419
							CFM	1289 [608]	1239 [585]	1189 [561]	1140 [538]	1101 [520]	1052 [496]	969 [457]	918 [433]	860 [406]	812 [383]
							RPM	726	755	786	815	846	876	912	935	964	986
							Watts	233	248	249	259	275	292	309	308	321	330
							CFM	1787 [843]	1746 [824]	1705 [805]	1680 [793]	1621 [765]	1607 [758]	1564 [738]	1530 [722]	1505 [710]	1424 [672]
							RPM	950	970	1000	1012	1042	1055	1079	1108	1113	1130
							Watts	525	538	545	579	571	596	615	610	631	626
							CFM	1954 [922]	1927 [909]	1889 [892]	1843 [870]	1808 [853]	1738 [820]	1671 [789]	1620 [765]	1543 [728]	1433 [676]
RPM	1030	1042	1061	1082	1100	1121	1130	1133	1138	1146							
Watts	664	673	683	696	704	700	697	684	667	635							
CFM	2095 [989]	2045 [965]	1983 [936]	1905 [899]	1840 [868]	1792 [846]	1712 [808]	1641 [774]	1558 [735]	1397 [659]							
RPM	1103	1114	1114	1123	1125	1130	1139	1140	1144	1148							
Watts	829	841	832	803	785	770	749	710	685	633							

Note: Set 3-1/2 through 5 ton Cool to Tap 4 for AHRI rated performance

DOWN DISCHARGE PRESSURE DROP (ADD TO EXTERNAL STATIC PRESSURE)

CFM [L/s]	800 [378]	1000 [472]	1200 [566]	1400 [661]	1600 [755]	1800 [849]	2000 [944]
Pressure Drop—Includes W.C. [kPa]	.02 [.005]	.05 [.012]	.07 [.017]	.1 [.025]	.12 [.030]	.15 [.037]	.17 [.042]

[] Designates Metric Conversions



INDOOR AIRFLOW PERFORMANCE RGEA15 - 208/230 VOLTS

Nominal Cooling Capacity Tons [kW]	Motor Speed from Factory		Heating Input BTU/HR [kW]	Manufacturer Recommended Cooling Airflow (Min/Max)	Blower Size/ Motor HP [W] & # of Speeds	Motor Speed / Tap	External Static Pressure - Inches W.C. [kPa] (Site Discharge-Dry Coil)											
	Cool	Heat					0.1 [.02]	0.2 [.05]	0.3 [.07]	0.4 [.10]	0.5 [.12]	0.6 [.15]	0.7 [.17]	0.8 [.20]	0.9 [.22]	1.0 [.25]		
2.0 [7.03]	Tap 2	60,000 [17.58]	700 CFM / 950 CFM	10X9 Blower 1/3 HP [249] 5 Speed (Constant Torque)	Tap 1 Unused	CFM	805 [380]	749 [353]	702 [331]	634 [299]	580 [274]	542 [256]	480 [227]	438 [207]				
						RPM	674	721	783	832	886	916	962	1004				
						Watts	97	104	113	117	126	128	131	142				
						CFM	917 [433]	865 [408]	826 [390]	771 [364]	730 [345]	677 [320]	628 [296]	596 [281]				
						RPM	772	810	860	905	945	985	1013	1052				
	Tap 5	80,000 [23.45]	850 CFM / 1150 CFM	10X9 Blower 1/3 HP [249] 5 Speed (Constant Torque)	Tap 3 High Static Cool	CFM	1196 [564]	1154 [545]	1111 [524]	1078 [509]	1039 [490]	967 [456]	876 [413]	791 [373]				
						RPM	927	970	1009	1041	1079	1107	1124	1134				
						Watts	288	300	309	314	324	318	300	276				
						CFM	931 [439]	880 [415]	854 [403]	795 [375]	743 [351]	694 [328]	655 [309]	608 [287]				
						RPM	789	1425	874	921	965	1002	1041	1070				
2.5 [8.79]	Tap 2	60,000 [17.58]	850 CFM / 1150 CFM	10X9 Blower 1/3 HP [249] 5 Speed (Constant Torque)	Tap 1 Unused	CFM	917 [433]	865 [408]	826 [390]	771 [364]	730 [345]	677 [320]	628 [296]	596 [281]				
						RPM	772	810	860	905	945	985	1013	1052				
						Watts	142	149	159	164	175	177	180	189				
						CFM	917 [433]	865 [408]	826 [390]	771 [364]	730 [345]	677 [320]	628 [296]	596 [281]				
						RPM	772	810	860	905	945	985	1013	1052				
	Tap 5	80,000 [23.45]	850 CFM / 1150 CFM	10X9 Blower 1/3 HP [249] 5 Speed (Constant Torque)	Tap 4 Low Static Cool	CFM	1227 [579]	1180 [557]	1160 [547]	1123 [530]	1090 [514]	1054 [497]	1008 [476]	882 [416]				
						RPM	930	976	1006	1029	1065	1089	1124	1154				
						Watts	264	276	288	291	300	305	311	292				
						CFM	1013 [478]	980 [463]	939 [443]	893 [421]	864 [408]	792 [374]	752 [355]	687 [324]				
						RPM	820	854	901	934	976	1022	1064	1097				
Tap 3	80,000 [23.45]	850 CFM / 1150 CFM	10X9 Blower 1/3 HP [249] 5 Speed (Constant Torque)	Tap 5 High Static Cool	CFM	1227 [579]	1180 [557]	1160 [547]	1123 [530]	1090 [514]	1054 [497]	1008 [476]	882 [416]					
					RPM	930	976	1006	1029	1065	1089	1124	1154					
					Watts	264	276	288	291	300	305	311	292					
					CFM	930	976	1006	1029	1065	1089	1124	1154					
					Watts	264	276	288	291	300	305	311	292					

Notes: (1) Set 2 through 4 ton Cool to Tap 4 for AHRI rated performance. (2) Set 5 ton 2nd Stage Cool to Tap 4 for AHRI rated performance.

[J Designates Metric Conversions



Air

INDOOR AIRFLOW PERFORMANCE RGEA15 - 208/230 VOLTS (continued)

Nominal Cooling Capacity Tons [kW]	Motor Speed from Factory		Heating Input BTU/HR [kW]	Manufacturer Recommended Cooling Airflow (Min/Max)	Blower Size/ Motor HP [W] & # of Speeds	Motor Speed / Tap	External Static Pressure - Inches W.C. [kPa] (Side Discharge-Dry Coil)										
	Cool	Heat					0.1 [.02]	0.2 [.05]	0.3 [.07]	0.4 [.10]	0.5 [.12]	0.6 [.15]	0.7 [.17]	0.8 [.20]	0.9 [.22]	1.0 [.25]	
3.0 [10.55]	Tap 1	60,000 [17.58]	1000 CFM / 1400 CFM	12x9T Blower 1/2 HP [372] 5 Speed (Constant Torque)	Tap 1 60K	CFM	907 [428]	850 [401]	801 [378]	723 [341]	648 [306]	576 [272]	520 [245]	432 [204]			
						RPM	632	690	730	778	829	856	894	922			
						Watts	120	130	142	145	159	161	169	173			
	Tap 2	80,000 [23.45]	1000 CFM / 1400 CFM		Tap 2 80K	CFM	1362 [643]	1322 [624]	1281 [605]	1247 [589]	1213 [572]	1158 [547]	1097 [518]	1058 [499]	996 [470]	856 [404]	
						RPM	833	866	895	926	962	999	1034	1062	1098	1128	
						Watts	320	332	336	346	362	374	380	386	403	385	
	Tap 3	100,000 [29.31]	1000 CFM / 1400 CFM		Tap 3 100K	CFM	1434 [677]	1419 [670]	1387 [655]	1340 [632]	1310 [618]	1258 [594]	1198 [565]	1160 [547]	1085 [512]	930 [439]	
						RPM	866	882	920	944	981	1008	1051	1078	1106	1131	
						Watts	372	377	390	399	413	421	426	443	445	412	
	Tap 5	100,000 [29.31]	1000 CFM / 1400 CFM		Tap 4 Low Static Cool	CFM	1169 [552]	1115 [526]	1086 [513]	1047 [494]	983 [464]	931 [439]	855 [404]	784 [370]			
RPM				749		803	819	856	901	938	985	1029					
Watts				217		231	233	246	259	266	277	289					
Tap 5	100,000 [29.31]	1000 CFM / 1400 CFM	Tap 5 High Static Cool	CFM	1434 [677]	1419 [670]	1387 [655]	1340 [632]	1310 [618]	1258 [594]	1198 [565]	1160 [547]	1085 [512]	930 [439]			
				RPM	866	882	920	944	981	1008	1051	1078	1106	1131			
				Watts	372	377	390	399	413	421	426	443	445	412			

Notes: (1) Set 2 through 4 ton Cool to Tap 4 for AHRI rated performance. (2) Set 5 ton 2nd Stage Cool to Tap 4 for AHRI rated performance.

DOWN DISCHARGE PRESSURE DROP (ADD TO EXTERNAL STATIC PRESSURE)

CFM [L/s]	800 [378]	1000 [472]	1400 [661]	1600 [755]	1800 [849]	2000 [944]
Pressure Drop—Includes W.C. [kPa]	.02 [.005]	.05 [.012]	.1 [.025]	.12 [.030]	.15 [.037]	.17 [.042]

[] Designates Metric Conversions





INDOOR AIRFLOW PERFORMANCE RGEA15 - 208/230 VOLTS (continued)

Nominal Cooling Capacity Tons [kW]	Motor Speed from Factory		Heating Input BTU/HR [kW]	Manufacturer Recommended Cooling Airflow (Min/Max)	Blower Size/ Motor HP [W] & # of Speeds	Motor Speed / Tap	External Static Pressure - Inches W.C. [kPa] (Side Discharge-Dry Coil)										
	Cool	Heat					0.1 [.02]	0.2 [.05]	0.3 [.07]	0.4 [.10]	0.5 [.12]	0.6 [.15]	0.7 [.17]	0.8 [.20]	0.9 [.22]	1.0 [.25]	
3.5 [12.31]	Tap 2	80,000 [23.45]	1200 CFM / 1600 CFM	12xT Blower 3/4 HP [559] 5 Speed (Constant Torque)	Tap 1 Unused	CFM	1336 [631]	1312 [619]	1295 [611]	1241 [586]	1200 [566]	1161 [548]	1119 [528]	1072 [506]	1001 [472]	939 [443]	
						RPM	827	856	874	913	949	983	1013	1048	1092	1127	
						Watts	298	308	313	325	341	352	361	374	387	402	
						CFM	1336 [631]	1312 [619]	1295 [611]	1241 [586]	1200 [566]	1161 [548]	1119 [528]	1072 [506]	1001 [472]	939 [443]	
						RPM	827	856	874	913	949	983	1013	1048	1092	1127	
	Tap 5	80,000 [23.45]	1200 CFM / 1600 CFM	12xT Blower 3/4 HP [559] 5 Speed (Constant Torque)	Tap 3 100K	CFM	1453 [686]	1424 [672]	1395 [658]	1347 [636]	1321 [623]	1279 [604]	1250 [590]	1214 [573]	1157 [546]	1119 [528]	
						RPM	836	867	904	942	953	992	1019	1048	1091	1114	
						Watts	334	349	364	377	380	394	409	418	433	442	
						CFM	1336 [631]	1312 [619]	1295 [611]	1241 [586]	1200 [566]	1161 [548]	1119 [528]	1072 [506]	1001 [472]	939 [443]	
						RPM	827	856	874	913	949	983	1013	1048	1092	1127	
4.0 [14.07]	Tap 2	80,000 [23.45]	1350 CFM / 1850 CFM	12xT Blower 3/4 HP [559] 5 Speed (Constant Torque)	Tap 1 Unused	CFM	1340 [632]	1305 [616]	1263 [596]	1227 [579]	1186 [560]	1162 [548]	1104 [521]	1020 [481]	960 [453]	897 [423]	
						RPM	776	796	831	869	898	925	966	1011	1044	1076	
						Watts	261	268	279	291	303	310	323	339	351	361	
						CFM	1340 [632]	1305 [616]	1263 [596]	1227 [579]	1186 [560]	1162 [548]	1104 [521]	1020 [481]	960 [453]	897 [423]	
						RPM	776	796	831	869	898	925	966	1011	1044	1076	
	Tap 5	80,000 [23.45]	1350 CFM / 1850 CFM	1350 CFM / 1850 CFM	12xT Blower 3/4 HP [559] 5 Speed (Constant Torque)	Tap 3 100K	CFM	1467 [692]	1448 [683]	1404 [663]	1373 [648]	1339 [632]	1306 [616]	1250 [590]	1210 [571]	1164 [549]	1087 [513]
							RPM	826	855	884	910	939	969	1003	1030	1067	1108
							Watts	328	344	348	363	379	387	398	408	418	434
							CFM	1634 [771]	1595 [753]	1547 [730]	1530 [722]	1487 [702]	1462 [690]	1438 [679]	1378 [650]	1352 [638]	1298 [613]
							RPM	894	923	950	981	1000	1030	1051	1079	1106	1126
Tap 3	100,000 [29.31]	100,000 [29.31]	1350 CFM / 1850 CFM	12xT Blower 3/4 HP [559] 5 Speed (Constant Torque)	Tap 4 Low Static Cool	CFM	1941 [916]	1915 [904]	1878 [886]	1814 [856]	1773 [837]	1709 [807]	1655 [781]	1570 [741]	1488 [702]	1374 [648]	
						RPM	1028	1047	1068	1091	1104	1113	1124	1136	1142	1147	
						Watts	708	725	729	727	717	696	673	647	618	571	
						CFM	1941 [916]	1915 [904]	1878 [886]	1814 [856]	1773 [837]	1709 [807]	1655 [781]	1570 [741]	1488 [702]	1374 [648]	
						RPM	1028	1047	1068	1091	1104	1113	1124	1136	1142	1147	

Notes: (1) Set 2 through 4 ton Cool to Tap 4 for AHRI rated performance. (2) Set 5 ton 2nd Stage Cool to Tap 4 for AHRI rated performance.

[J Designates Metric Conversions



INDOOR AIRFLOW PERFORMANCE RGEA15 - 208/230 VOLTS (continued)

Nominal Cooling Capacity Tons [kW]	Motor Speed from Factory		Heating Input BTU/HR [kW]	Manufacturer Recommended Cooling Airflow (Min/Max)	Blower Size/ Motor HP [W] & # of Speeds	Motor Speed / Tap	External Static Pressure - Inches W.C. [kPa] (Side Discharge-Dry Coil)														
	Cool	Heat					0.1 [.02]	0.2 [.05]	0.3 [.07]	0.4 [.10]	0.5 [.12]	0.6 [.15]	0.7 [.17]	0.8 [.20]	0.9 [.22]	1.0 [.25]					
5.0 [17.59]	1st Stage Tap 2	Tap 1	100,000 [29.31]	1600 CFM / 2100 CFM	12x9R Blower 1 HP [746] 5 Speed (Constant Torque)	Tap 1 100K Heat	CFM	1433 [676]	1407 [664]	1354 [639]	1329 [627]	1270 [599]	1235 [583]	1195 [564]	1137 [537]	1083 [511]	1030 [486]				
							RPM	821	843	868	888	929	944	975	1004	1040	1065				
							Watts	319	331	342	346	365	368	381	391	406	412				
	2nd Stage Tap 5	Tap 2				Tap 2 1st Stage Cool	CFM	1233 [582]	1158 [547]	1136 [536]	1090 [514]	1039 [490]	969 [457]	902 [426]	847 [400]	791 [373]	752 [355]				
							RPM	734	774	793	822	860	892	934	957	983	1011				
							Watts	223	231	238	248	259	269	288	284	295	306				
	5.0 [17.59]	2nd Stage Tap 5				Tap 3	100,000 [29.31]	1600 CFM / 2100 CFM	12x9R Blower 1 HP [746] 5 Speed (Constant Torque)	Tap 3 Unused	CFM	1768 [834]	1730 [816]	1693 [799]	1626 [767]	1599 [755]	1558 [735]	1522 [718]	1503 [709]	1444 [681]	1399 [660]
											RPM	938	959	983	1011	1025	1052	1089	1090	1117	1134
											Watts	520	533	541	560	563	578	599	599	605	615
											CFM	1926 [909]	1890 [892]	1864 [880]	1822 [860]	1794 [847]	1758 [830]	1710 [807]	1670 [788]	1579 [745]	1493 [705]
5.0 [17.59]	2nd Stage Tap 5	Tap 4	100,000 [29.31]	1600 CFM / 2100 CFM	12x9R Blower 1 HP [746] 5 Speed (Constant Torque)	Tap 4 2nd Stage Low Static Cool	RPM	999	1014	1040	1061	1079	1096	1119	1128	1138	1144				
							Watts	654	660	674	688	699	708	714	705	683	661				
							CFM	2096 [989]	2057 [971]	2003 [945]	1951 [921]	1890 [892]	1819 [858]	1756 [829]	1686 [796]	1610 [760]	1498 [707]				
							RPM	1069	1092	1106	1116	1121	1129	1138	1140	1148	1154				
5.0 [17.59]	2nd Stage Tap 5	Tap 5	100,000 [29.31]	1600 CFM / 2100 CFM	12x9R Blower 1 HP [746] 5 Speed (Constant Torque)	Tap 5 2nd Stage High Static Cool	CFM	1069	1092	1106	1116	1121	1129	1138	1140	1148	1154				
							Watts	829	846	840	822	807	782	768	730	708	679				

Notes: (1) Set 2 through 4 ton Cool to Tap 4 for AHRI rated performance. (2) Set 5 ton 2nd Stage Cool to Tap 4 for AHRI rated performance.

DOWN DISCHARGE PRESSURE DROP (ADD TO EXTERNAL STATIC PRESSURE)

CFM [L/s]	800 [378]	1000 [472]	1200 [566]	1400 [661]	1600 [755]	1800 [849]	2000 [944]
Pressure Drop—Includes W.C. [kPa]	.02 [.005]	.05 [.012]	.07 [.017]	.1 [.025]	.12 [.030]	.15 [.037]	.17 [.042]

[] Designates Metric Conversions



INDOOR AIRFLOW PERFORMANCE RGEA15 - 460 VOLTS

Nominal Cooling Capacity Tons [kW]	Motor Speed from Factory		Heating Input BTU/HR [kW]	Manufacturer Recommended Cooling Airflow (Min/Max)	Blower Size/ Motor HP [W] & # of Speeds	Motor Speed / Tap	External Static Pressure - Inches W.C. [kPa] (Side Discharge-Dry Coil)										
	Cool	Heat					0.1 [.02]	0.2 [.05]	0.3 [.07]	0.4 [.10]	0.5 [.12]	0.6 [.15]	0.7 [.17]	0.8 [.20]	0.9 [.22]	1.0 [.25]	
3.0 [10.55]	Tap 1	Cool	60,000 [17.58]	1000 CFM / 1400 CFM	12x8T Blower 1/2 HP [372] 5 Speed (Constant Torque)	Tap 1 60K	CFM	912 [430]	871 [411]	808 [381]	734 [346]	655 [309]	571 [269]	520 [245]	447 [211]		
							RPM	634	664	722	769	811	850	881	906		
							Watts	111	116	131	137	149	151	162	165		
							CFM	1362 [643]	1327 [626]	1294 [611]	1267 [598]	1207 [570]	1151 [543]	1131 [534]	1085 [512]	1022 [482]	956 [451]
							RPM	794	833	872	897	948	976	1005	1038	1078	1112
	Tap 5	Cool	80,000 [23.45]	1000 CFM / 1400 CFM	12x8T Blower 1/2 HP [372] 5 Speed (Constant Torque)	Tap 3 100K	CFM	1435 [677]	1405 [663]	1378 [650]	1349 [637]	1309 [618]	1266 [597]	1233 [582]	1193 [563]	1134 [535]	1066 [503]
							RPM	844	867	892	927	961	991	1022	1052	1101	1130
							Watts	337	340	358	368	390	389	409	411	438	446
							CFM	1163 [549]	1144 [540]	1086 [513]	1073 [506]	987 [466]	927 [437]	870 [411]	819 [387]		
							RPM	749	761	810	836	887	920	964	1005		
3.5 [12.31]	Tap 2	Cool	80,000 [23.45]	1200 CFM / 1600 CFM	12x8T Blower 3/4 HP [559] 5 Speed (Constant Torque)	Tap 2 80K	CFM	1435 [677]	1405 [663]	1378 [650]	1349 [637]	1309 [618]	1266 [597]	1233 [582]	1193 [563]	1134 [535]	1066 [503]
							RPM	844	867	892	927	961	991	1022	1052	1101	1130
							Watts	337	340	358	368	390	389	409	411	438	446
							CFM	1362 [643]	1327 [626]	1294 [611]	1267 [598]	1207 [570]	1151 [543]	1131 [534]	1085 [512]	1022 [482]	956 [451]
							RPM	794	833	872	897	948	976	1005	1038	1078	1112
	Tap 5	Cool	100,000 [29.31]	1200 CFM / 1600 CFM	12x8T Blower 3/4 HP [559] 5 Speed (Constant Torque)	Tap 4 100K	CFM	1643 [775]	1609 [759]	1580 [746]	1560 [736]	1511 [713]	1494 [705]	1443 [681]	1404 [663]	1335 [630]	1244 [587]
							RPM	927	954	986	1001	1035	1052	1083	1111	1122	1133
							Watts	461	475	490	506	518	528	555	548	530	502
							CFM	1362 [643]	1327 [626]	1294 [611]	1267 [598]	1207 [570]	1151 [543]	1131 [534]	1085 [512]	1022 [482]	956 [451]
							RPM	794	833	872	897	948	976	1005	1038	1078	1112

Notes: (1) Set 2 through 4 ton Cool to Tap 4 for AHRI rated performance. (2) Set 5 ton 2nd Stage Cool to Tap 4 for AHRI rated performance.

[J Designates Metric Conversions



INDOOR AIRFLOW PERFORMANCE RGEA15 - 460 VOLTS (continued)

Nominal Cooling Capacity Tons [kW]	Motor Speed from Factory		Heating Input BTU/HR [kW]	Manufacturer Recommended Cooling Airflow (Min/Max)	Blower Size/ Motor HP [W] & # of Speeds	Motor Speed / Tap	External Static Pressure - Inches W.C. [kPa] (Side Discharge-Dry Coil)										
	Cool	Heat					0.1 [.02]	0.2 [.05]	0.3 [.07]	0.4 [.10]	0.5 [.12]	0.6 [.15]	0.7 [1.17]	0.8 [1.20]	0.9 [1.22]	1.0 [1.25]	
4.0 [14.07]	Tap 2	Cool	80,000 [23.45]	1350 CFM / 1850 CFM	12x9T Blower 3/4 HP [559] 5 Speed (Constant Torque)	Tap 1 Unused	CFM	1340 [632]	1305 [616]	1263 [596]	1227 [579]	1186 [560]	1162 [548]	1104 [521]	1020 [481]	960 [453]	897 [423]
							RPM	776	796	831	869	898	925	966	1011	1044	1076
							Watts	261	268	279	291	303	310	323	339	351	361
							CFM	1340 [632]	1305 [616]	1263 [596]	1227 [579]	1186 [560]	1162 [548]	1104 [521]	1020 [481]	960 [453]	897 [423]
							RPM	776	796	831	869	898	925	966	1011	1044	1076
	Tap 5	Cool	100,000 [29.31]	1350 CFM / 1850 CFM	12x9T Blower 3/4 HP [559] 5 Speed (Constant Torque)	Tap 2 80K	CFM	1467 [692]	1448 [663]	1404 [663]	1373 [648]	1339 [632]	1306 [616]	1250 [590]	1210 [571]	1164 [549]	1087 [513]
							RPM	826	855	884	910	939	969	1003	1030	1067	1108
							Watts	328	344	348	363	379	387	398	408	418	434
							CFM	1634 [771]	1595 [753]	1547 [730]	1530 [722]	1487 [702]	1462 [690]	1438 [679]	1378 [650]	1352 [638]	1298 [613]
							RPM	894	923	950	981	1000	1030	1051	1079	1106	1126
5.0 [17.59]	1st Stage Tap 2	Cool	100,000 [29.31]	1600 CFM / 2100 CFM	12x9R Blower 1 HP [746] 5 Speed (Constant Torque)	Tap 1 100K Heat	CFM	1484 [700]	1440 [680]	1405 [663]	1360 [642]	1319 [622]	1280 [604]	1238 [584]	1186 [560]	1128 [532]	1047 [494]
							RPM	812	841	863	889	918	938	965	994	1026	1066
							Watts	330	338	355	354	379	381	395	408	423	419
							CFM	1289 [608]	1239 [585]	1189 [561]	1140 [538]	1101 [520]	1052 [496]	969 [457]	918 [433]	860 [406]	812 [383]
							RPM	726	755	786	815	846	876	912	935	964	986
	2nd Stage Tap 5	Cool	100,000 [29.31]	1600 CFM / 2100 CFM	12x9R Blower 1 HP [746] 5 Speed (Constant Torque)	Tap 3 Unused	CFM	1787 [843]	1746 [824]	1705 [805]	1680 [793]	1621 [765]	1607 [758]	1564 [738]	1530 [722]	1505 [710]	1424 [672]
							RPM	950	970	1000	1012	1042	1055	1079	1108	1113	1130
							Watts	525	538	545	579	571	596	615	610	631	626
							CFM	1954 [922]	1927 [909]	1889 [892]	1843 [870]	1808 [853]	1738 [820]	1671 [789]	1620 [765]	1543 [728]	1433 [676]
							RPM	1030	1042	1061	1082	1100	1121	1130	1133	1138	1146
2nd Stage Tap 5	Cool	100,000 [29.31]	1600 CFM / 2100 CFM	12x9R Blower 1 HP [746] 5 Speed (Constant Torque)	Tap 5 2nd Stage High Static Cool	CFM	2095 [989]	2045 [965]	1983 [936]	1905 [899]	1840 [868]	1792 [846]	1712 [808]	1641 [774]	1558 [735]	1397 [659]	
						RPM	1103	1114	1114	1123	1125	1130	1139	1140	1144	1148	
						Watts	829	841	832	803	785	770	749	710	685	633	

Notes: (1) Set 2 through 4 ton Cool to Tap 4 for AHRI rated performance. (2) Set 5 ton 2nd Stage Cool to Tap 4 for AHRI rated performance.

DOWN DISCHARGE PRESSURE DROP (ADD TO EXTERNAL STATIC PRESSURE)			
CFM [L/s]	800 [378]	1000 [472]	2000 [944]
Pressure Drop—Includes W.C. [kPa]	.02 [.005]	.05 [.012]	.17 [.042]

[J] Designates Metric Conversions



ELECTRICAL DATA – RGEA13 SERIES								
		036ACD061AA	036ACD081AA	036ACD101AA	036ADD061AA	036ADD081AA	036ADD101AA	042ACT081AA
Unit Information	Unit Operating Voltage Range	187-253	187-253	187-253	414-506	414-506	414-506	187-253
	Volts	208/230	208/230	208/230	460	460	460	208/230
	Phase	3	3	3	3	3	3	3
	Hz	60	60	60	60	60	60	60
	Minimum Circuit Ampacity	16	16	16	9	9	9	24
	Minimum Overcurrent Protection Device Size	20	20	20	15	15	15	25
	Maximum Overcurrent Protection Device Size	20	20	20	15	15	15	35
Compressor Motor	No.	1	1	1	1	1	1	1
	Volts	208/230	208/230	208/230	460	460	460	208/230
	Phase	3	3	3	3	3	3	3
	RPM	3450	3450	3450	3450	3450	3450	3450
	HP, Compressor 1	3 1/3	3 1/3	3 1/3	3 1/3	3 1/3	3 1/3	3 1/2
	Amps (RLA), Comp. 1	9	9	9	5.6	5.6	5.6	13.2
	Amps (LRA), Comp. 1	71	71	71	38	38	38	88
Condenser Motor	No.	1	1	1	1	1	1	1
	Volts	208/230	208/230	208/230	460	460	460	208/230
	Phase	1	1	1	1	1	1	1
	HP	1/3	1/3	1/3	1/3	1/3	1/3	1/3
	Amps (FLA, each)	1.5	1.5	1.5	0.8	0.8	0.8	1.5
	Amps (LRA, each)	3	3	3	1.6	1.6	1.6	3
Evaporator Fan	No.	1	1	1	1	1	1	1
	Volts	208/230	208/230	208/230	460	460	460	208/230
	Phase	1	1	1	1	1	1	1
	HP	1/2	1/2	1/2	1/2	1/2	1/2	3/4
	Amps (FLA, each)	2.5	2.5	2.5	1.2	1.2	1.2	6
	Amps (LRA, each)	4.6	4.6	4.6	2.4	2.4	2.4	

1. Horsepower Per Compressor.
2. Amp Draw Per Motor. Multiply Value By Number of Motors to Determine Total Amps.

ELECTRICAL DATA – RGEA13 SERIES							
		042ACT101AA	048ACT081AA	048ACT101AA	048ADT101AA	060ACT101AA	060ADT101AA
Unit Information	Unit Operating Voltage Range	187-253	187-253	187-253	187-253	197-253	414-506
	Volts	208/230	208/230	208/230	460	208/230	460
	Phase	3	3	3	3	3	3
	Hz	60	60	60	60	60	60
	Minimum Circuit Ampacity	24	25	25	12	32	16
	Minimum Overcurrent Protection Device Size	25	25	25	35	35	20
	Maximum Overcurrent Protection Device Size	35	35	35	15	45	20
Compressor Motor	No.	1	1	1	1	1	1
	Volts	208/230	208/230	208/230	460	208/230	460
	Phase	3	3	3	3	3	3
	RPM	3450	3450	3450	3450	3500	3500
	HP, Compressor 1	3 1/2	4	4	4	5	5
	Amps (RLA), Comp. 1	13.2	13.1	13.1	6.1	17.8	8.6
	Amps (LRA), Comp. 1	88	83.1	83.1	41	110	52
Condenser Motor	No.	1	1	1	1	1	1
	Volts	208/230	208/230	208/230	460	208/230	460
	Phase	1	1	1	1	1	1
	HP	1/3	1/3	1/3	1/3	1/3	1/3
	Amps (FLA, each)	1.5	2	2	1	2	1
	Amps (LRA, each)	3	3.9	3.9	2.2	3.9	2.2
Evaporator Fan	No.	1	1	1	1	1	1
	Volts	208/230	208/230	208/230	460	208/230	460/460
	Phase	1	1	1	1	1	1
	HP	3/4	3/4	3/4	3/4	1	1
	Amps (FLA, each)	6	6	6	3.2	7.6	4
	Amps (LRA, each)						

1. Horsepower Per Compressor.

2. Amp Draw Per Motor. Multiply Value By Number of Motors to Determine Total Amps.

ELECTRICAL DATA – RGEA14 SERIES

		024AJD041AA	024AJD04XAA	024AJD061AA	024AJD06XAA	030AJD061AA	030AJD06XAA	030AJD081AA	030AJD08XAA
Unit Information	Unit Operating Voltage Range	187-253	187-253	187-253	187-253	187-253	187-253	187-253	187-253
	Volts	208/230	208/230	208/230	208/230	208/230	208/230	208/230	208/230
	Phase	1	1	1	1	1	1	1	1
	Hz	60	60	60	60	60	60	60	60
	Minimum Circuit Ampacity	17	17	17	17	20	20	20	20
	Minimum Overcurrent Protection Device Size	20	20	20	20	20	20	20	20
	Maximum Overcurrent Protection Device Size	25	25	25	25	30	30	30	30
Compressor Motor	No.	1	1	1	1	1	1	1	1
	Volts	208/230	208/230	208/230	208/230	208/230	208/230	208/230	208/230
	Phase	1	1	1	1	1	1	1	1
	RPM	3450	3450	3450	3450	3450	3450	3450	3450
	HP, Compressor 1	2 1/6	2 1/6	2 1/6	2 1/6	2 2/3	2 2/3	2 2/3	2 2/3
	Amps (RLA), Comp. 1	11.2	11.2	11.2	11.2	12.8	12.8	12.8	12.8
	Amps (LRA), Comp. 1	60.8	60.8	60.8	60.8	64	64	64	64
Condenser Motor	No.	1	1	1	1	1	1	1	1
	Volts	208/230	208/230	208/230	208/230	208/230	208/230	208/230	208/230
	Phase	1	1	1	1	1	1	1	1
	HP	1/3	1/3	1/3	1/3	1/3	1/3	1/3	1/3
	Amps (FLA, each)	1.5	1.5	1.5	1.5	1.5	1.5	1.5	1.5
	Amps (LRA, each)	3	3	3	3	3	3	3	3
Evaporator Fan	No.	1	1	1	1	1	1	1	1
	Volts	208/230	208/230	208/230	208/230	208/230	208/230	208/230	208/230
	Phase	1	1	1	1	1	1	1	1
	HP	1/4	1/4	1/4	1/4	1/2	1/2	1/2	1/2
	Amps (FLA, each)	1.3	1.3	1.3	1.3	2.4	2.4	2.4	2.4
	Amps (LRA, each)	2.3	2.3	2.3	2.3	5.1	5.1	5.1	5.1

1. Horsepower Per Compressor.
2. Amp Draw Per Motor. Multiply Value By Number of Motors to Determine Total Amps.

ELECTRICAL DATA – RGEA14 SERIES									
		036ACD061AA	036ACD081AA	036ACD101AA	036ADD061AA	036ADD081AA	036ADD101AA	036AJD061AA	036AJD06XAA
Unit Information	Unit Operating Voltage Range	187-253	187-253	187-253	414-506	414-506	414-506	187-253	187-253
	Volts	208/230	208/230	208/230	460	460	460	208/230	208/230
	Phase	3	3	3	3	3	3	1	1
	Hz	60	60	60	60	60	60	60	60
	Minimum Circuit Ampacity	16	16	16	9	9	9	22	22
	Minimum Overcurrent Protection Device Size	20	20	20	15	15	15	25	25
	Maximum Overcurrent Protection Device Size	20	20	20	15	15	15	35	35
Compressor Motor	No.	1	1	1	1	1	1	1	1
	Volts	208/230	208/230	208/230	460	460	460	208/230	208/230
	Phase	3	3	3	3	3	3	1	1
	RPM	3450	3450	3450	3450	3450	3450	3450	3450
	HP, Compressor 1	3 1/3	3 1/3	3 1/3	3 1/3	3 1/3	3 1/3	3 1/3	3 1/3
	Amps (RLA), Comp. 1	9	9	9	5.6	5.6	5.6	14.1	14.1
	Amps (LRA), Comp. 1	71	71	71	38	38	38	77	77
Condenser Motor	No.	1	1	1	1	1	1	1	1
	Volts	208/230	208/230	208/230	460	460	460	208/230	208/230
	Phase	1	1	1	1	1	1	1	1
	HP	1/3	1/3	1/3	1/3	1/3	1/3	1/3	1/3
	Amps (FLA, each)	1.5	1.5	1.5	0.8	0.8	0.8	1.5	1.5
	Amps (LRA, each)	3	3	3	1.6	1.6	1.6	3	3
Evaporator Fan	No.	1	1	1	1	1	1	1	1
	Volts	208/230	208/230	208/230	460	460	460	208/230	208/230
	Phase	1	1	1	1	1	1	1	1
	HP	1/2	1/2	1/2	1/2	1/2	1/2	1/2	1/2
	Amps (FLA, each)	2.5	2.5	2.5	1.2	1.2	1.2	2.5	2.5
	Amps (LRA, each)	4.6	4.6	4.6	2.4	2.4	2.4	4.6	4.6

1. Horsepower Per Compressor.

2. Amp Draw Per Motor. Multiply Value By Number of Motors to Determine Total Amps.

ELECTRICAL DATA – RGEA14 SERIES

		036AJD081AA	036AJD08XAA	036AJD101AA	036AJD10XAA	042ACT081AA	042ACT101AA	042AJT081AA
Unit Information	Unit Operating Voltage Range	187-253	187-253	187-253	187-253	187-253	187-253	187-253
	Volts	208/230	208/230	208/230	208/230	208/230	208/230	208/230
	Phase	1	1	1	1	3	3	1
	Hz	60	60	60	60	60	60	60
	Minimum Circuit Ampacity	22	22	22	22	24	24	30
	Minimum Overcurrent Protection Device Size	25	25	25	25	25	25	30
	Maximum Overcurrent Protection Device Size	35	35	35	35	35	35	45
Compressor Motor	No.	1	1	1	1	1	1	1
	Volts	208/230	208/230	208/230	208/230	208/230	208/230	208/230
	Phase	1	1	1	1	3	3	1
	RPM	3450	3450	3450	3450	3450	3450	3450
	HP, Compressor 1	3 1/3	3 1/3	3 1/3	3 1/3	3 1/2	3 1/2	3 1/2
	Amps (RLA), Comp. 1	14.1	14.1	14.1	14.1	13.2	13.2	17.9
	Amps (LRA), Comp. 1	77	77	77	77	88	88	112
Condenser Motor	No.	1	1	1	1	1	1	1
	Volts	208/230	208/230	208/230	208/230	208/230	208/230	208/230
	Phase	1	1	1	1	1	1	1
	HP	1/3	1/3	1/3	1/3	1/3	1/3	1/3
	Amps (FLA, each)	1.5	1.5	1.5	1.5	1.5	1.5	1.5
	Amps (LRA, each)	3	3	3	3	3	3	3
Evaporator Fan	No.	1	1	1	1	1	1	1
	Volts	208/230	208/230	208/230	208/230	208/230	208/230	208/230
	Phase	1	1	1	1	1	1	1
	HP	1/2	1/2	1/2	1/2	3/4	3/4	3/4
	Amps (FLA, each)	2.5	2.5	2.5	2.5	6	6	6
	Amps (LRA, each)	4.6	4.6	4.6	4.6			

1. Horsepower Per Compressor.
2. Amp Draw Per Motor. Multiply Value By Number of Motors to Determine Total Amps.

ELECTRICAL DATA – RGEA14 SERIES								
		042AJT08XAA	042AJT101AA	042AJT10XAA	048ACT081AA	048ACT101AA	048ADT101AA	048AJT081AA
Unit Information	Unit Operating Voltage Range	187-253	187-253	187-253	187-253	187-253	187-253	187-253
	Volts	208/230	208/230	208/230	208/230	208/230	460	208/230
	Phase	1	1	1	3	3	3	1
	Hz	60	60	60	60	60	60	60
	Minimum Circuit Ampacity	30	30	30	25	25	12	33
	Minimum Overcurrent Protection Device Size	30	30	30	25	25	35	35
	Maximum Overcurrent Protection Device Size	45	45	45	35	35	15	50
Compressor Motor	No.	1	1	1	1	1	1	1
	Volts	208/230	208/230	208/230	208/230	208/230	460	208/230
	Phase	1	1	1	3	3	3	1
	RPM	3450	3450	3450	3450	3450	3450	3450
	HP, Compressor 1	3 1/2	3 1/2	3 1/2	4	4	4	4
	Amps (RLA), Comp. 1	17.9	17.9	17.9	13.1	13.1	6.1	19.9
	Amps (LRA), Comp. 1	112	112	112	83.1	83.1	41	109
Condenser Motor	No.	1	1	1	1	1	1	1
	Volts	208/230	208/230	208/230	208/230	208/230	460	208/230
	Phase	1	1	1	1	1	1	1
	HP	1/3	1/3	1/3	1/3	1/3	1/3	1/3
	Amps (FLA, each)	1.5	1.5	1.5	2	2	1	2
	Amps (LRA, each)	3	3	3	3.9	3.9	2.2	3.9
Evaporator Fan	No.	1	1	1	1	1	1	1
	Volts	208/230	208/230	208/230	208/230	208/230	460	208/230
	Phase	1	1	1	1	1	1	1
	HP	3/4	3/4	3/4	3/4	3/4	3/4	3/4
	Amps (FLA, each)	6	6	6	6	6	3.2	6
	Amps (LRA, each)							

1. Horsepower Per Compressor.
2. Amp Draw Per Motor. Multiply Value By Number of Motors to Determine Total Amps.

ELECTRICAL DATA – RGEA14 SERIES

		048AJT08XAA	048AJT101AA	048AJT10XAA	060ACT101AA	060ADT101AA	060AJT101AA	060AJT10XAA
Unit Information	Unit Operating Voltage Range	187-253	187-253	187-253	197-253	414-506	197-253	197-253
	Volts	208/230	208/230	208/230	208/230	460	208/230	208/230
	Phase	1	1	1	3	3	1	1
	Hz	60	60	60	60	60	60	60
	Minimum Circuit Ampacity	33	33	33	32	16	41	41
	Minimum Overcurrent Protection Device Size	35	35	35	35	20	45	45
	Maximum Overcurrent Protection Device Size	50	50	50	45	20	60	60
Compressor Motor	No.	1	1	1	1	1	1	1
	Volts	208/230	208/230	208/230	208/230	460	208/230	208/230
	Phase	1	1	1	3	3	1	1
	RPM	3450	3450	3450	3500	3500	3500	3500
	HP, Compressor 1	4	4	4	5	5	5	5
	Amps (RLA), Comp. 1	19.9	19.9	19.9	17.8	8.6	24.4	24.4
	Amps (LRA), Comp. 1	109	109	109	110	52	144.2	144.2
Condenser Motor	No.	1	1	1	1	1	1	1
	Volts	208/230	208/230	208/230	208/230	460	208/230	208/230
	Phase	1	1	1	1	1	1	1
	HP	1/3	1/3	1/3	1/3	1/3	1/3	1/3
	Amps (FLA, each)	2	2	2	2	1	2	2
	Amps (LRA, each)	3.9	3.9	3.9	3.9	2.2	3.9	3.9
Evaporator Fan	No.	1	1	1	1	1	1	1
	Volts	208/230	208/230	208/230	208/230	460/460	208/230	208/230
	Phase	1	1	1	1	1	1	1
	HP	3/4	3/4	3/4	1	1	1	1
	Amps (FLA, each)	6	6	6	7.6	4	7.6	7.6
	Amps (LRA, each)							

1. Horsepower Per Compressor.
2. Amp Draw Per Motor. Multiply Value By Number of Motors to Determine Total Amps.

ELECTRICAL DATA – RGEA15 SERIES								
		024AJT061AA	024AJT06XAA	024AJT081AA	024AJT08XAA	030AJT061AA	030AJT06XAA	030AJT081AA
Unit Information	Unit Operating Voltage Range	187-253	187-253	187-253	187-253	187-253	187-253	187-253
	Volts	208/230	208/230	208/230	208/230	208/230	208/230	208/230
	Phase	1	1	1	1	1	1	1
	Hz	60	60	60	60	60	60	60
	Minimum Circuit Ampacity	19	19	19	19	21	21	21
	Minimum Overcurrent Protection Device Size	20	20	20	20	25	25	25
	Maximum Overcurrent Protection Device Size	25	25	25	25	30	30	30
Compressor Motor	No.	1	1	1	1	1	1	1
	Volts	208/230	208/230	208/230	208/230	208/230	208/230	208/230
	Phase	1	1	1	1	1	1	1
	RPM	3450	3450	3450	3450	3450	3450	3450
	HP, Compressor 1	2 1/6	2 1/6	2 1/6	2 1/6	2 2/3	2 2/3	2 2/3
	Amps (RLA), Comp. 1	11.2	11.2	11.2	11.2	12.8	12.8	12.8
	Amps (LRA), Comp. 1	60.8	60.8	60.8	60.8	64	64	64
Condenser Motor	No.	1	1	1	1	1	1	1
	Volts	208/230	208/230	208/230	208/230	208/230	208/230	208/230
	Phase	1	1	1	1	1	1	1
	HP	1/3	1/3	1/3	1/3	1/3	1/3	1/3
	Amps (FLA, each)	1.5	1.5	1.5	1.5	1.5	1.5	1.5
	Amps (LRA, each)	3	3	3	3	3	3	3
Evaporator Fan	No.	1	1	1	1	1	1	1
	Volts	208/230	208/230	208/230	208/230	208/230	208/230	208/230
	Phase	1	1	1	1	1	1	1
	HP	1/3	1/3	1/3	1/3	1/2	1/2	1/2
	Amps (FLA, each)	2.8	2.8	2.8	2.8	2.8	2.8	2.8
	Amps (LRA, each)							

1. Horsepower Per Compressor.
2. Amp Draw Per Motor. Multiply Value By Number of Motors to Determine Total Amps.

ELECTRICAL DATA – RGEA15 SERIES									
		030AJT08XAA	036ACT061AA	036ACT081AA	036ACT101AA	036ADT061AA	036ADT081AA	036ADT101AA	036AJT061AA
Unit Information	Unit Operating Voltage Range	187-253	187-253	187-253	187-253	414-506	414-506	414-506	187-253
	Volts	208/230	208/230	208/230	208/230	460	460	460	208/230
	Phase	1	3	3	3	3	3	3	1
	Hz	60	60	60	60	60	60	60	60
	Minimum Circuit Ampacity	21	17	17	17	10	10	10	24
	Minimum Overcurrent Protection Device Size	25	20	20	20	15	15	15	25
	Maximum Overcurrent Protection Device Size	30	25	25	25	15	15	15	35
Compressor Motor	No.	1	1	1	1	1	1	1	1
	Volts	208/230	208/230	208/230	208/230	460	460	460	208/230
	Phase	1	3	3	3	3	3	3	1
	RPM	3450	3450	3450	3450	3450	3450	3450	3450
	HP, Compressor 1	2 2/3	3 1/3	3 1/3	3 1/3	3 1/3	3 1/3	3 1/3	3 1/3
	Amps (RLA), Comp. 1	12.8	9	9	9	5.6	5.6	5.6	14.1
	Amps (LRA), Comp. 1	64	71	71	71	38	38	38	77
Condenser Motor	No.	1	1	1	1	1	1	1	1
	Volts	208/230	208/230	208/230	208/230	460	460	460	208/230
	Phase	1	1	1	1	1	1	1	1
	HP	1/3	1/3	1/3	1/3	1/3	1/3	1/3	1/3
	Amps (FLA, each)	1.5	1.5	1.5	1.5	0.8	0.8	0.8	1.5
	Amps (LRA, each)	3	3	3	3	1.6	1.6	1.6	3
Evaporator Fan	No.	1	1	1	1	1	1	1	1
	Volts	208/230	208/230	208/230	208/230	460/460	460/460	460/460	208/230
	Phase	1	1	1	1	1	1	1	1
	HP	1/2	1/2	1/2	1/2	1/2	1/2	1/2	1/2
	Amps (FLA, each)	2.8	4.1	4.1	4.1	2.1	2.1	2.1	4.1
	Amps (LRA, each)								

1. Horsepower Per Compressor.
2. Amp Draw Per Motor. Multiply Value By Number of Motors to Determine Total Amps.

ELECTRICAL DATA – RGEA15 SERIES										
		036AJT06XAA	036AJT081AA	036AJT08XAA	036AJT101AA	036AJT10XAA	042ACT081AA	042ACT101AA	042AJT081AA	
Unit Information	Unit Operating Voltage Range	187-253	187-253	187-253	187-253	187-253	187-253	187-253	187-253	
	Volts	208/230	208/230	208/230	208/230	208/230	208/230	208/230	208/230	
	Phase	1	1	1	1	1	3	3	1	
	Hz	60	60	60	60	60	60	60	60	
	Minimum Circuit Ampacity	24	24	24	24	24	24	24	24	30
	Minimum Overcurrent Protection Device Size	25	25	25	25	25	25	25	25	30
	Maximum Overcurrent Protection Device Size	35	35	35	35	35	35	35	45	
Compressor Motor	No.	1	1	1	1	1	1	1	1	
	Volts	208/230	208/230	208/230	208/230	208/230	208/230	208/230	208/230	
	Phase	1	1	1	1	1	3	3	1	
	RPM	3450	3450	3450	3450	3450	3450	3450	3450	
	HP, Compressor 1	3 1/3	3 1/3	3 1/3	3 1/3	3 1/3	3 1/2	3 1/2	3 1/2	
	Amps (RLA), Comp. 1	14.1	14.1	14.1	14.1	14.1	13.2	13.2	17.9	
	Amps (LRA), Comp. 1	77	77	77	77	77	88	88	112	
Condenser Motor	No.	1	1	1	1	1	1	1	1	
	Volts	208/230	208/230	208/230	208/230	208/230	208/230	208/230	208/230	
	Phase	1	1	1	1	1	1	1	1	
	HP	1/3	1/3	1/3	1/3	1/3	1/3	1/3	1/3	
	Amps (FLA, each)	1.5	1.5	1.5	1.5	1.5	1.5	1.5	1.5	
	Amps (LRA, each)	3	3	3	3	3	3	3	3	
Evaporator Fan	No.	1	1	1	1	1	1	1	1	
	Volts	208/230	208/230	208/230	208/230	208/230	208/230	208/230	208/230	
	Phase	1	1	1	1	1	1	1	1	
	HP	1/2	1/2	1/2	1/2	1/2	3/4	3/4	3/4	
	Amps (FLA, each)	4.1	4.1	4.1	4.1	4.1	6	6	6	
	Amps (LRA, each)									

1. Horsepower Per Compressor.

2. Amp Draw Per Motor. Multiply Value By Number of Motors to Determine Total Amps.

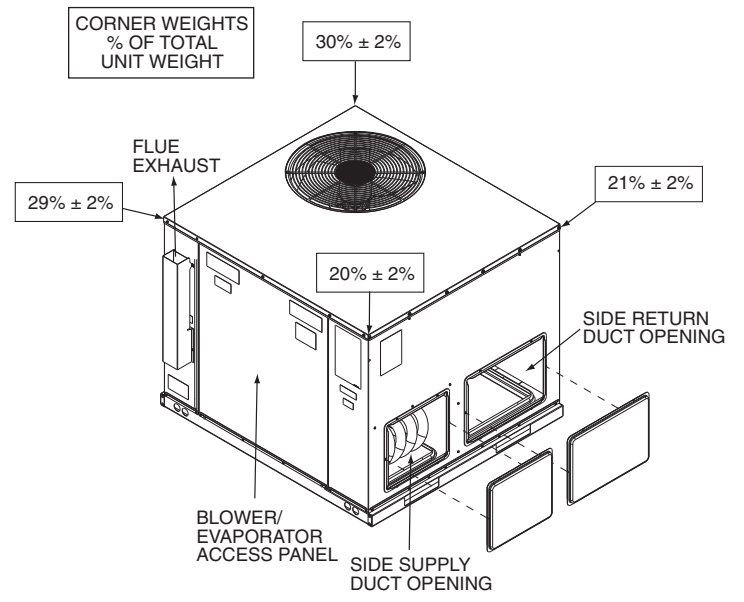
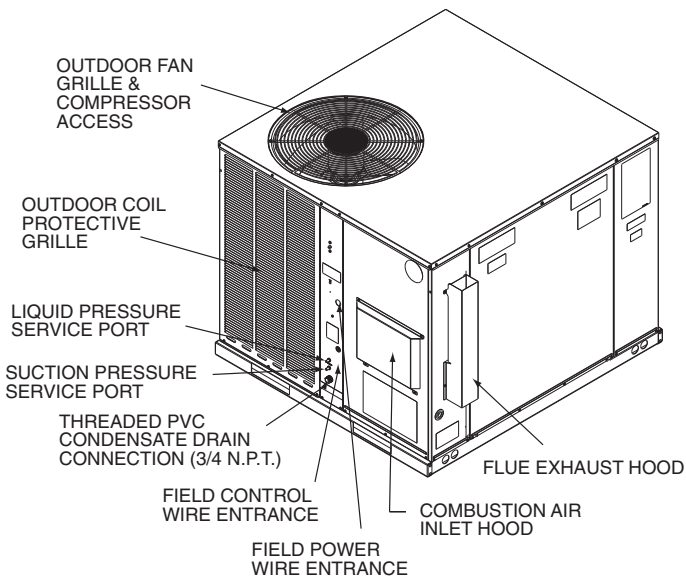
ELECTRICAL DATA – RGEA15 SERIES

		042AJT08XAA	042AJT101AA	042AJT10XAA	048ACT081AA	048ACT101AA	048ADT101AA	048AJT081AA	048AJT08XAA
Unit Information	Unit Operating Voltage Range	187-253	187-253	187-253	187-253	187-253	414-506	187-253	187-253
	Volts	208/230	208/230	208/230	208/230	208/230	460	208/230	208/230
	Phase	1	1	1	3	3	3	1	1
	Hz	60	60	60	60	60	60	60	60
	Minimum Circuit Ampacity	30	30	30	25	25	12	33	33
	Minimum Overcurrent Protection Device Size	30	30	30	25	25	35	35	35
	Maximum Overcurrent Protection Device Size	45	45	45	35	35	15	50	50
Compressor Motor	No.	1	1	1	1	1	1	1	1
	Volts	208/230	208/230	208/230	208/230	208/230	460	208/230	208/230
	Phase	1	1	1	3	3	1	1	1
	RPM	3450	3450	3450	3450	3450	3450	3450	3450
	HP, Compressor 1	3 1/2	3 1/2	3 1/2	4	4	4	4	4
	Amps (RLA), Comp. 1	17.9	17.9	17.9	13.1	13.1	6.1	19.9	19.9
	Amps (LRA), Comp. 1	112	112	112	83.1	83.1	43	109	109
Condenser Motor	No.	1	1	1	1	1	1	1	1
	Volts	208/230	208/230	208/230	208/230	208/230	460	208/230	208/230
	Phase	1	1	1	1	1	1	1	1
	HP	1/3	1/3	1/3	1/3	1/3	1/3	1/3	1/3
	Amps (FLA, each)	1.5	1.5	1.5	2	2	1	2	2
	Amps (LRA, each)	3	3	3	3.9	3.9	3.9	3.9	3.9
	Evaporator Fan	No.	1	1	1	1	1	1	1
Volts		208/230	208/230	208/230	208/230	208/230	460	208/230	208/230
Phase		1	1	1	1	1	1	1	1
HP		3/4	3/4	3/4	3/4	3/4	3/4	3/4	3/4
Amps (FLA, each)		6	6	6	6	6	3.2	6	6
Amps (LRA, each)									

1. Horsepower Per Compressor.
2. Amp Draw Per Motor. Multiply Value By Number of Motors to Determine Total Amps.

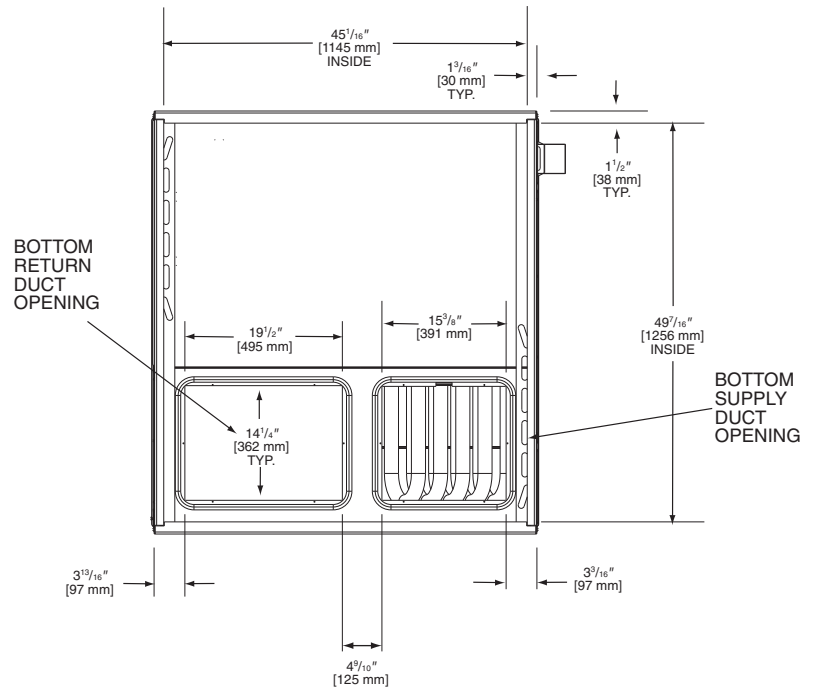
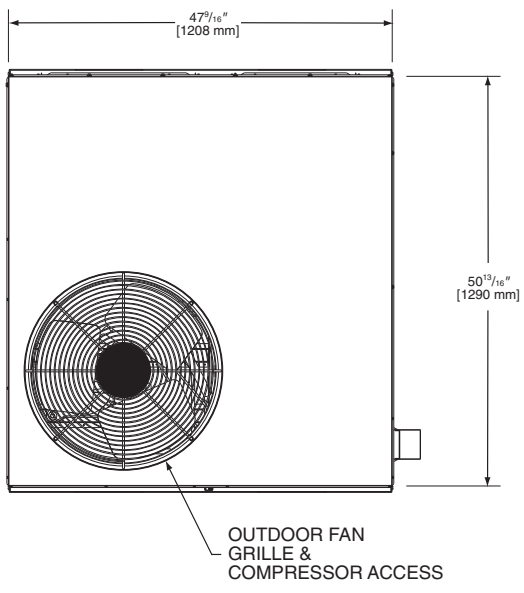
ELECTRICAL DATA – RGEA15 SERIES							
		048AJT101AA	048AJT10XAA	060ACT101AA	060ADT101AA	060AJT101AA	060AJT10XAA
Unit Information	Unit Operating Voltage Range	187-253	187-253	197-253	414-506	197-253	197-253
	Volts	208/230	208/230	208/230	460	208/230	208/230
	Phase	1	1	3	3	1	1
	Hz	60	60	60	60	60	60
	Minimum Circuit Ampacity	33	33	30	15	46	46
	Minimum Overcurrent Protection Device Size	35	35	50	20	50	50
	Maximum Overcurrent Protection Device Size	50	50	45	20	70	70
Compressor Motor	No.	1	1	1	1	1	1
	Volts	208/230	208/230	208/230	460	208/230	208/230
	Phase	1	1	3	3	1	1
	RPM	3450	3450	3450	3450	3450	3450
	HP, Compressor 1	4	4	5	5	5	5
	Amps (RLA), Comp. 1	19.9	19.9	16.2	7.6	28.8	28.8
	Amps (LRA), Comp. 1	109	109	110	52	152.9	152.9
Condenser Motor	No.	1	1	1	1	1	1
	Volts	208/230	208/230	208/230	460	208/230	208/230
	Phase	1	1	1	1	1	1
	HP	1/3	1/3	1/3	1/3	1/3	1/3
	Amps (FLA, each)	2	2	2	1	2	2
	Amps (LRA, each)	3.9	3.9	3.9	2.2	3.9	3.9
Evaporator Fan	No.	1	1	1	1	1	1
	Volts	208/230	208/230	208/230	460/460	208/230	208/230
	Phase	1	1	1	1	1	1
	HP	3/4	3/4	1	1	1	1
	Amps (FLA, each)	6	6	7.6	4	7.6	7.6
	Amps (LRA, each)						

1. Horsepower Per Compressor.
2. Amp Draw Per Motor. Multiply Value By Number of Motors to Determine Total Amps.



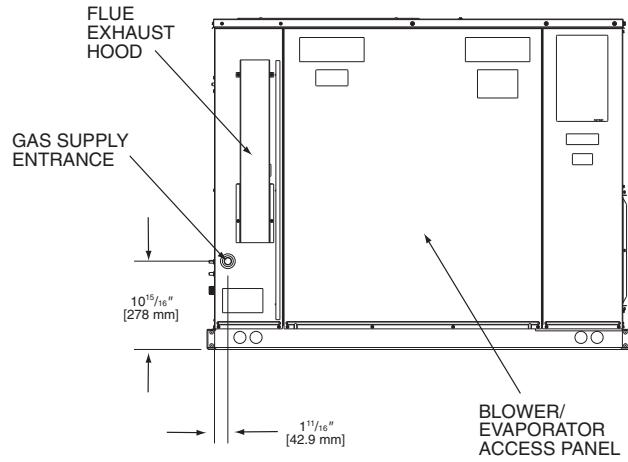
TOP VIEW

BOTTOM VIEW

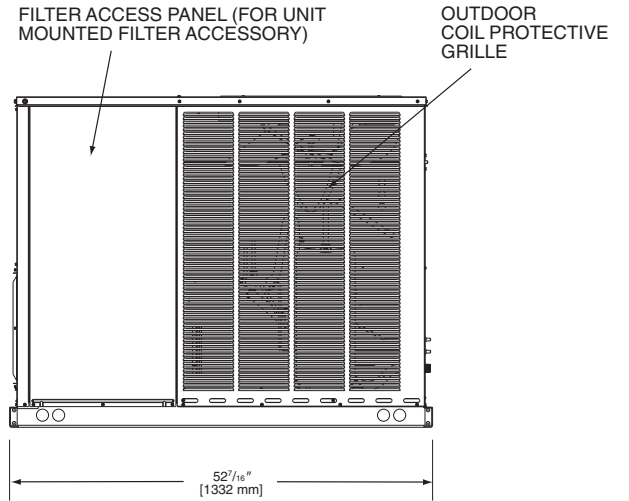


[] Designates Metric Conversions

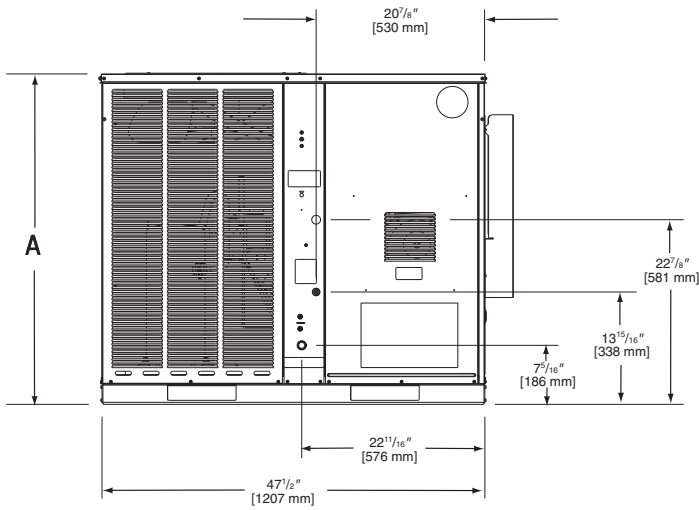
SIDE VIEW



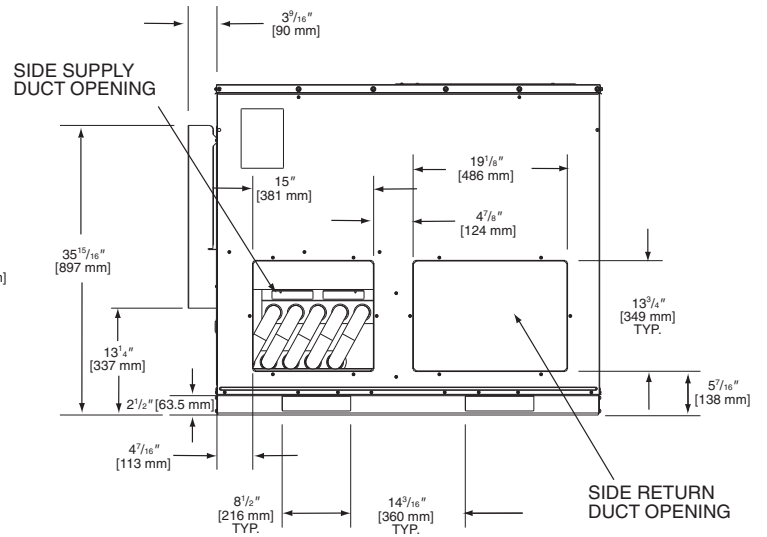
SIDE VIEW



FRONT VIEW



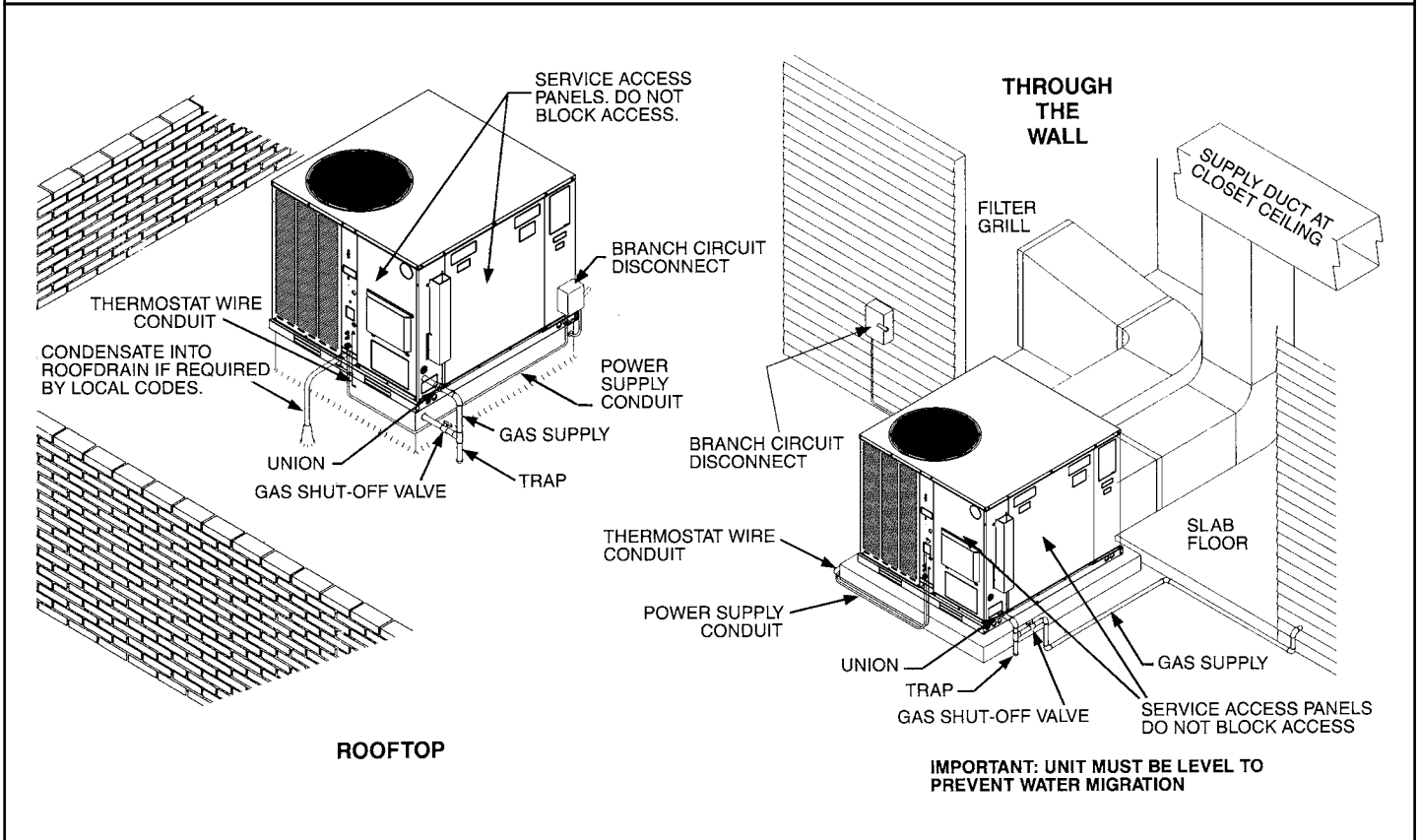
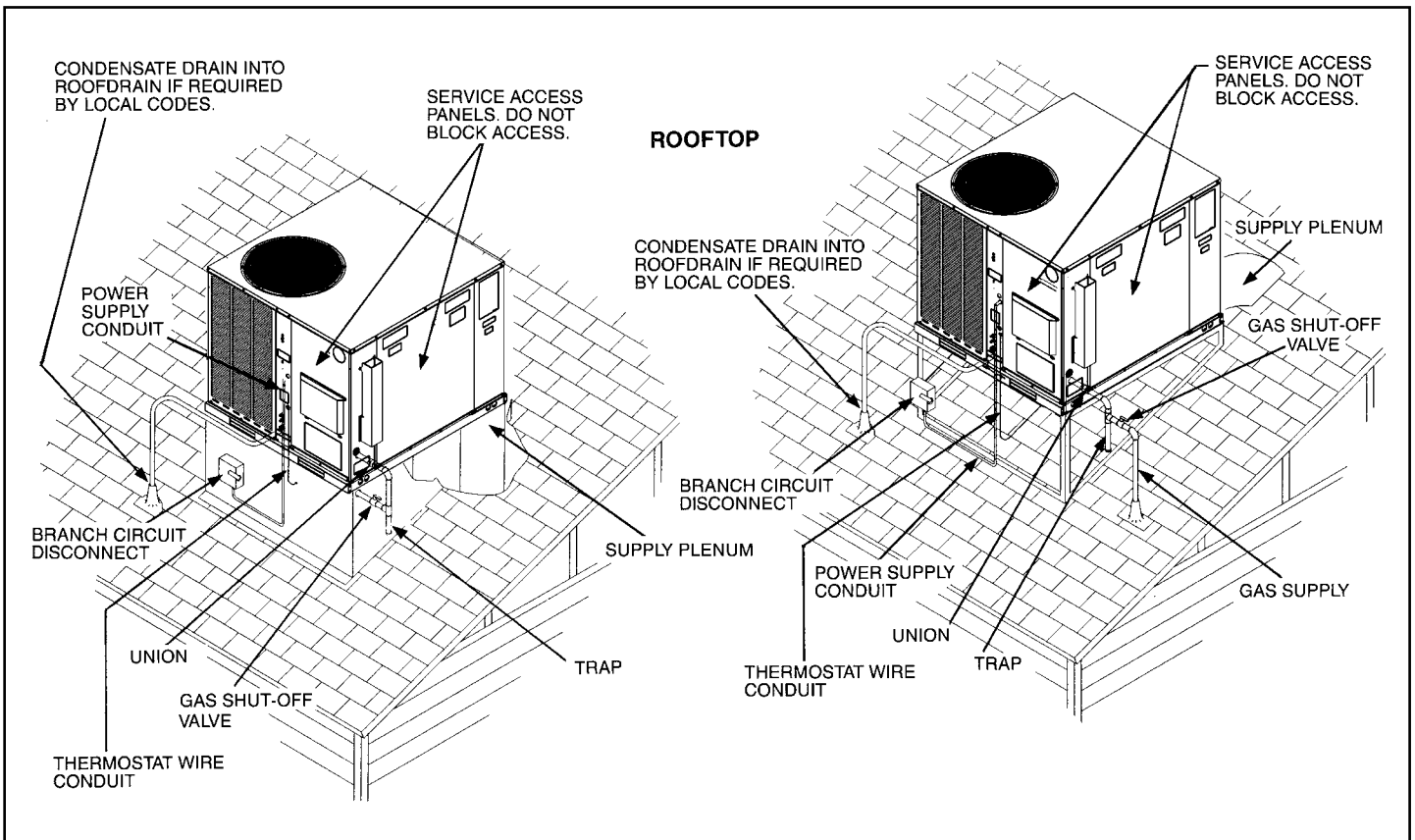
BACK VIEW



SHOWN WITH DUCT COVERS REMOVED.

Models RGEA 13/14/15	Height "A"
024, 030, 036, 042	35 ¹⁵ / ₁₆ "
048, 060	41"

[] Designates Metric Conversions



[] Designates Metric Conversions

ACCESSORY EQUIPMENT

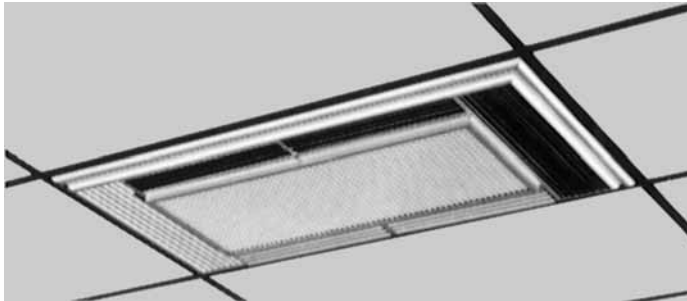
Accessory Description	Model Application	Accessory Model No.
Thermostats	RGEA13/14/15	See Thermostat Specification Sheet (T11-001)
Roofcurbs	RGEA13/14/15	RXSG-AAA08 (8" [203 mm] Height) RXSG-AAA14 (14" [356 mm] Height) RXSG-AAA24 (24" [610 mm] Height)
Supply & Return Diffusers	RGEA13/14/15	RXRN-BD15
Economizers (Sideflow Only)	RGEA13/14/15	AXRE-CCA30 (3 Position) AXRD-CCM10 (Fully Modulating)
Economizers (Downflow Only)	RGEA13/14/15	AXRE-CAA30 (3 Position) AXRD-CAM10 (Fully Modulating)
Fresh Air Damper	RGEA13/14/15	AXRF-FAB1 (Motorized-35%) AXRF-FAA1 (Fixed-35%)
Rectangular to Round Transition (Downflow)	RGEA13/14/15	RXMC-CA02 (16" [406 mm] Ducts) RXMC-CA03 (18" [457 mm] Ducts)
Filter Kit	RGEA13/14/15	RXRY-B01
Sideflow Rectangular to Round Transition	RGEA13/14/15	RXMC-BA01
LP Conversion Kits	RGEA13/14/15	RXGJ-EP84W (White-Rodgers Gas Valve) RXGJ-EP85H (Honeywell Gas Valve) RXGJ-FP28
Low Ambient Control	RGEA13/14/15	RXRZ-B01
High Pressure Control	RGEA13/14/15 ²	RXAB-E01
Low Pressure Control	RGEA13/14/15 ²	RXAC-C01
Canadian High Altitude Kit (for Natural Gas only ¹)	RGEA13/14/15	RXR- AH01

¹ If a particular unit is to be converted to operate on LP (propane) for elevations above 2000 ft. [609.6 m] in Canada, the existing Natural Gas to LP Conversion Kits for the subject models already contain the necessary orifices and instructions to de-rate the input for 2000-4500 ft. [609.6-1371.6 m] Canadian applications.

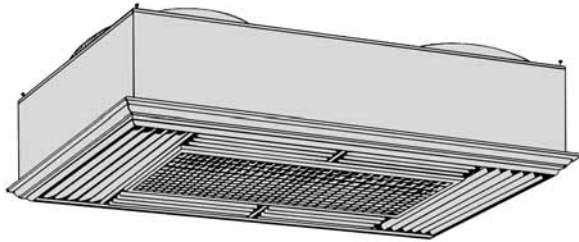
² High pressure switches are standard for RGEA15 Models.

[] Designates Metric Conversions

COMMON SUPPLY/RETURN CONCENTRIC AIR DIFFUSER



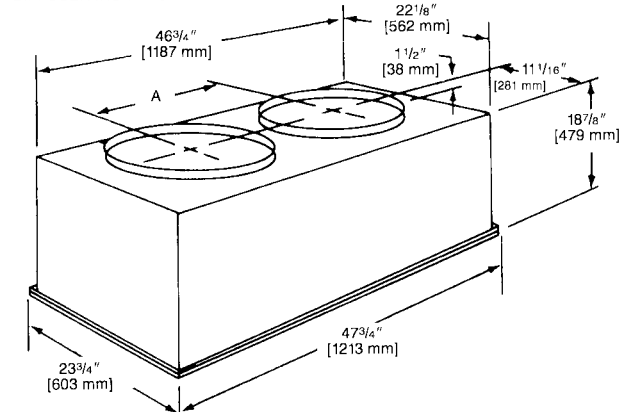
SUPPLY/RETURN DIFFUSER



Designed to convert a side by side or an over and under arrangement into a concentric distribution of air. The diffuser is flush mounted, completely insulated, assembled, and internally baffled to provide four way supply air distribution with a center return. To make the assembly complete and ready to fit into a 2' [0.61 m] x 4' [1.22 m] suspended ceiling grid, the diffuser includes adjustable supply louvers, hanging rings, anti-sweat gasket, and round flanges for use with flexible ducts.

Model No.	Diameter Inches [mm]	Shipping Wt. Lbs. [kg]	Dimension A Inches [mm]
RXRN-BD15	16 [406]	90 [40.82]	20 1/2 [521]

DIFFUSER INSTALLS FLUSH WITH CEILING



NOTE: The location of the combination supply and return diffuser should not exceed 10 feet [3.05 m] above the floor level for units @ 1000 CFM [472 L/s] or less and 12 [3.66 m] to 14 feet [4.27 m] above the floor level for units with CFM greater than 1000 [472 L/s]. If the diffuser is installed with a greater distance than recommended above, the supply air may become stratified above the required comfort area causing uncomfortable conditions.

AIRFLOW/PRESSURE DROP INFORMATION (INCHES W.C. [kPa])

Accessory	Approximate CFM [L/s]-Supply Air			
	1300 [614]	1575 [743]	1800 [850]	2200 [1038]
Plenum & Supply/Return Duct	.07 [0.17]	.10 [0.24]	.12 [0.30]	.17 [0.42]
Diffuser	.09 [0.22]	.13 [0.32]	.16 [0.40]	.24 [0.60]
Economizer	.06 [0.15]	.09 [0.22]	.11 [0.27]	.17 [0.42]

SUPPLY AIR/PERFORMANCE

Diffuser Airflow CFM [L/s]	Range of Throw Ft. [m]
800 [378]-1200 [566]	14 [4.27]-16 [4.88]
1600 [755]-2000 [944]	18 [5.49]-28 [8.53]



THERMOSTATS



200-Series *
Programmable



300-Series *
Deluxe
Programmable

400-Series *
Special Applications/
Programmable

Brand	Descriptor (3 Characters)	Series (3 Characters)	System (2 Characters)	Type (2 Characters)
RHC	- TST	213	UN	MS
RHC=Rheem	TST=Thermostat	200=Programmable 300=Deluxe Programmable 400=Special Applications/ Programmable	GE=Gas/Electric UN=Universal (AC/HP/GE) MD=Modulating Furnace DF=Dual Fuel CM=Communicating	SS=Single-Stage MS=Multi-Stage

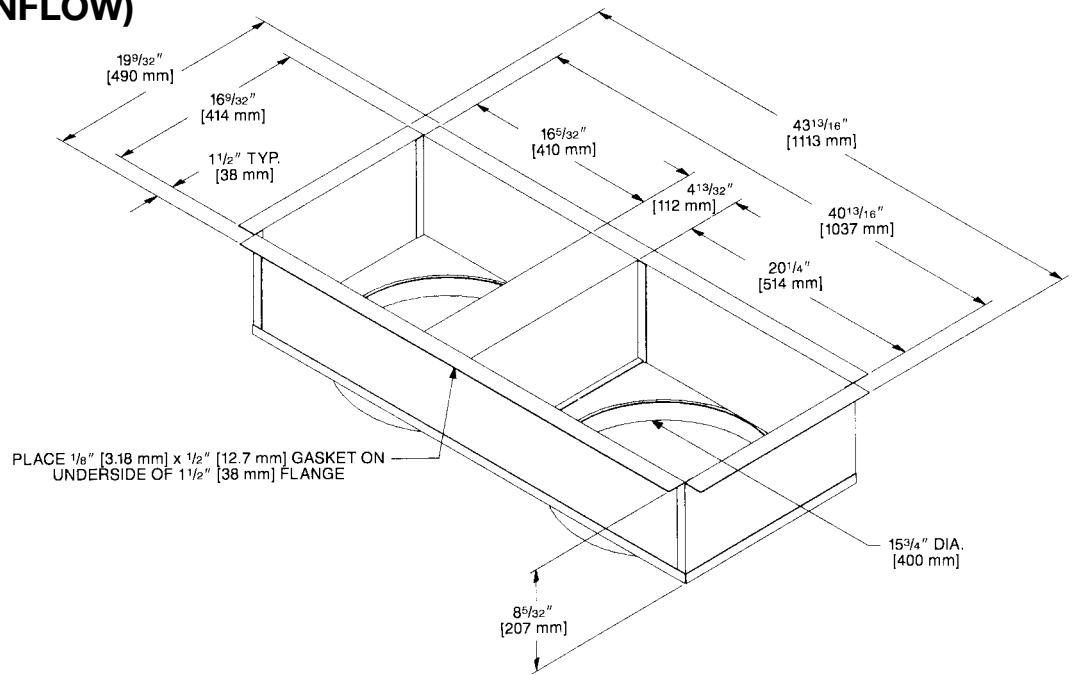
* Photos are representative. Actual models may vary.

For detailed thermostat match-up information,
see specification sheet form number T11-001.

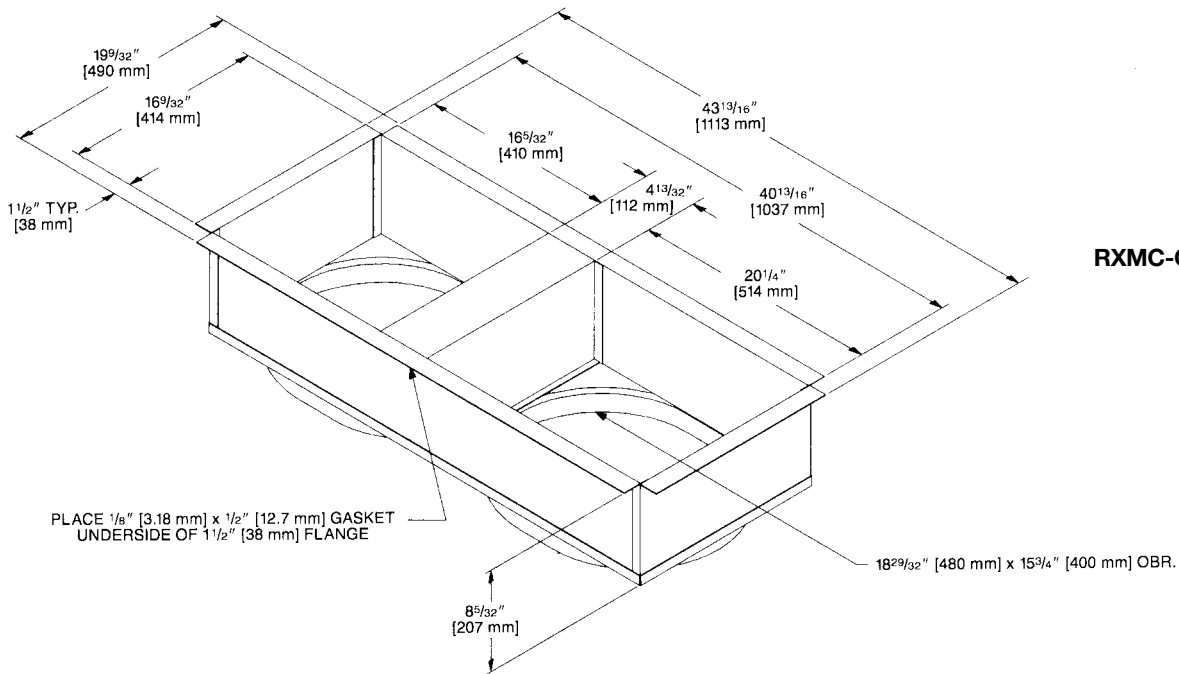


DUCT ADAPTERS RECTANGULAR TO ROUND TRANSITIONS (DOWNFLOW)

RXMC-CA02



RXMC-CA03



[] Designates Metric Conversions

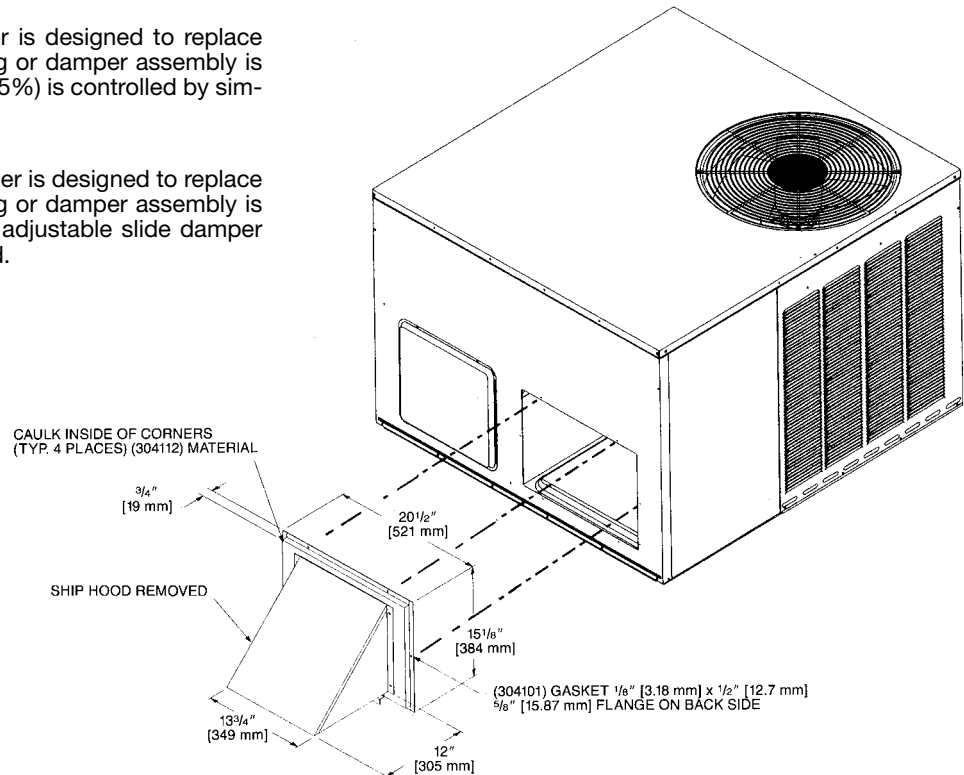
FRESH AIR DAMPER

AXRF-FAA1 (Fixed - 0-35%)

The 0-35% manual outside Air Damper is designed to replace the unit return air duct cover. No drilling or damper assembly is required. The amount of outside air (0-35%) is controlled by simply adjusting the side damper.

AXRF-FAB1 (Motorized - 0-35%)

The 0-35% motorized outside Air Damper is designed to replace the unit return air duct cover. No drilling or damper assembly is required. The control motor opens the adjustable slide damper when the unit blower motor is energized.



ECONOMIZERS

RXRE-CAA30 (3 Position) and RXRD-CAM10 (Fully Modulating)

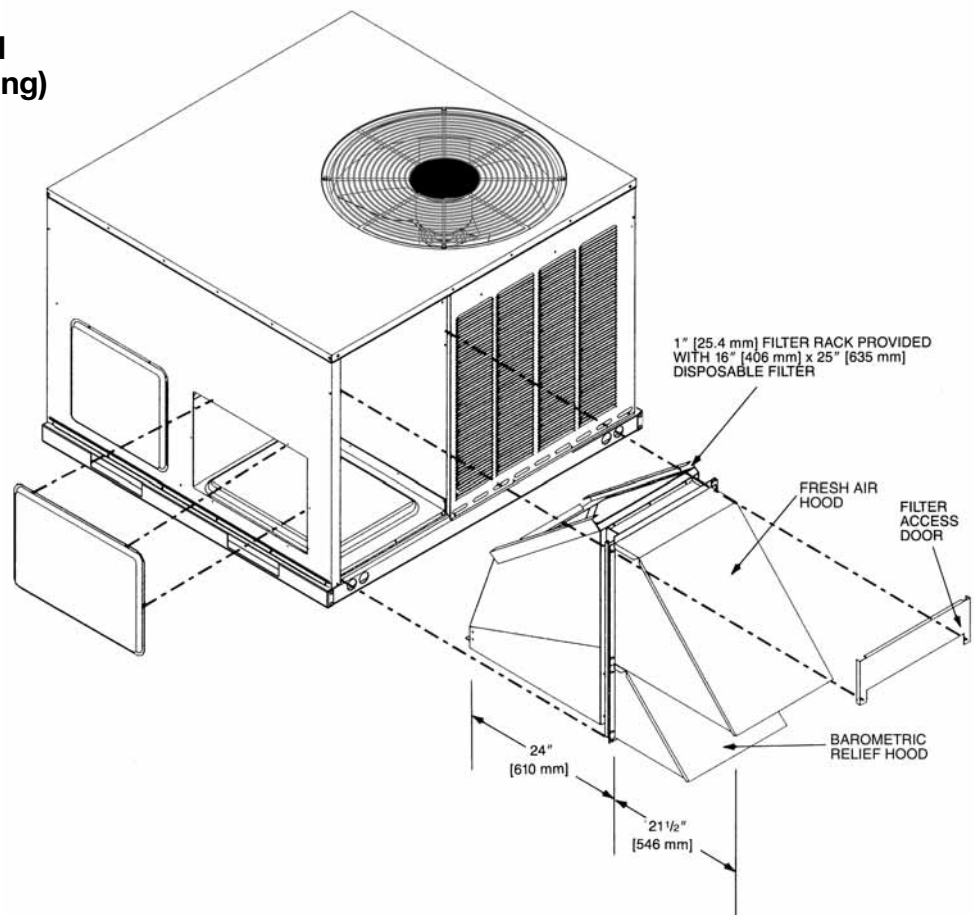
AXRE-CAA30 (3 Position)

Provided with enthalpy control, and mixed air sensor. Settings include fully open, fully closed and adjustable mid point.

AXRD-CAM10 (Fully Modulating)

Provided with enthalpy control, mixed air sensor and minimum position potentiometer for proportioning (modulating) the amount of fresh air.

NOTE: See economizer installation instructions for correct filter access door.



[] Designates Metric Conversions

ECONOMIZERS

RXRD-CCM10 (Fully Modulating) and RXRE-CCA30 (3 Position) Horizontal Application

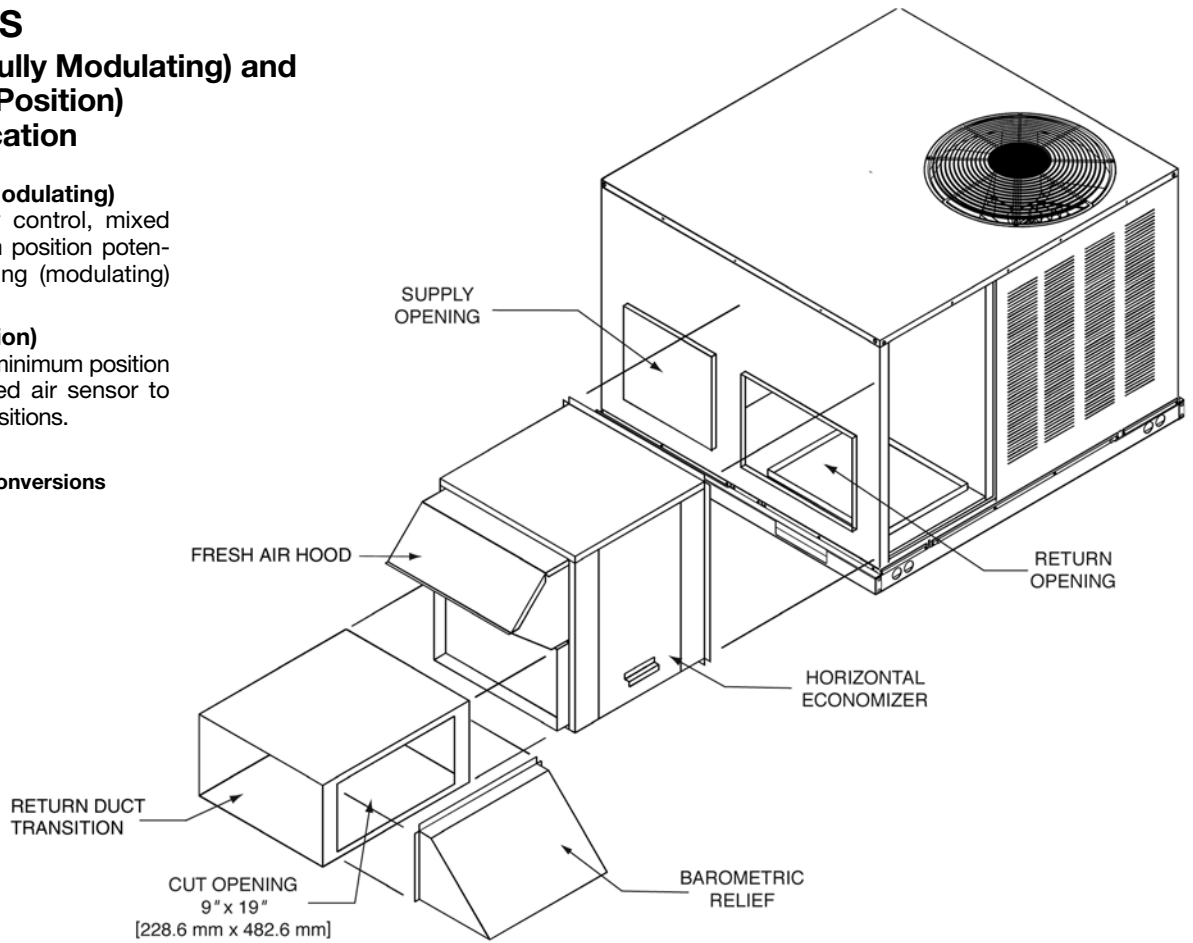
AXRD-CCM10 (Fully Modulating)

Provided with enthalpy control, mixed air sensor and minimum position potentiometer for proportioning (modulating) the amount of fresh air.

AXRE-CCA30 (3-Position)

Has outdoor air sensor, minimum position potentiometer and mixed air sensor to provide three damper positions.

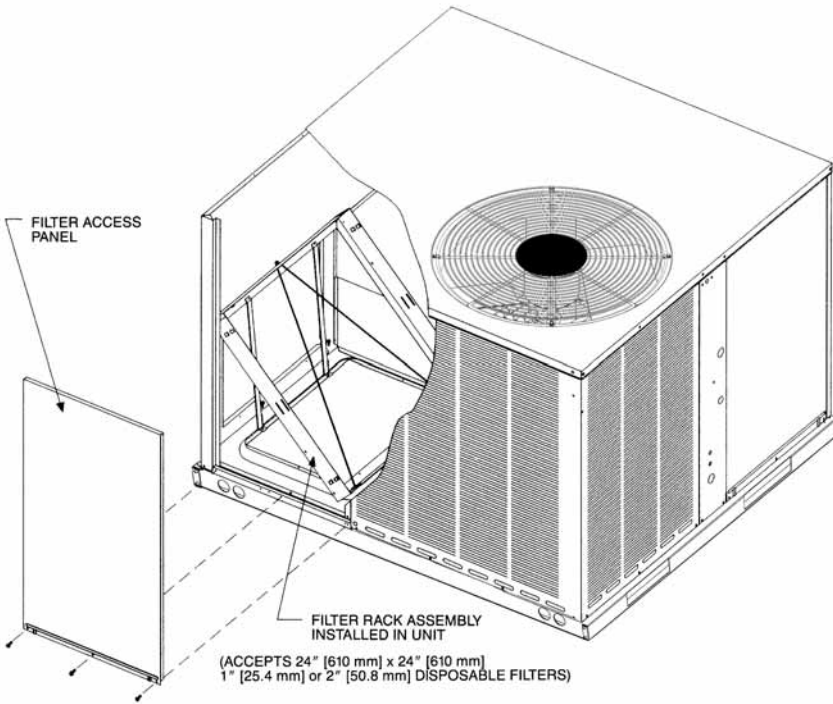
[] Designates Metric Conversions



FILTER KIT INSTALLATION

RXRY-B01

For use in either vertical or horizontal discharge.



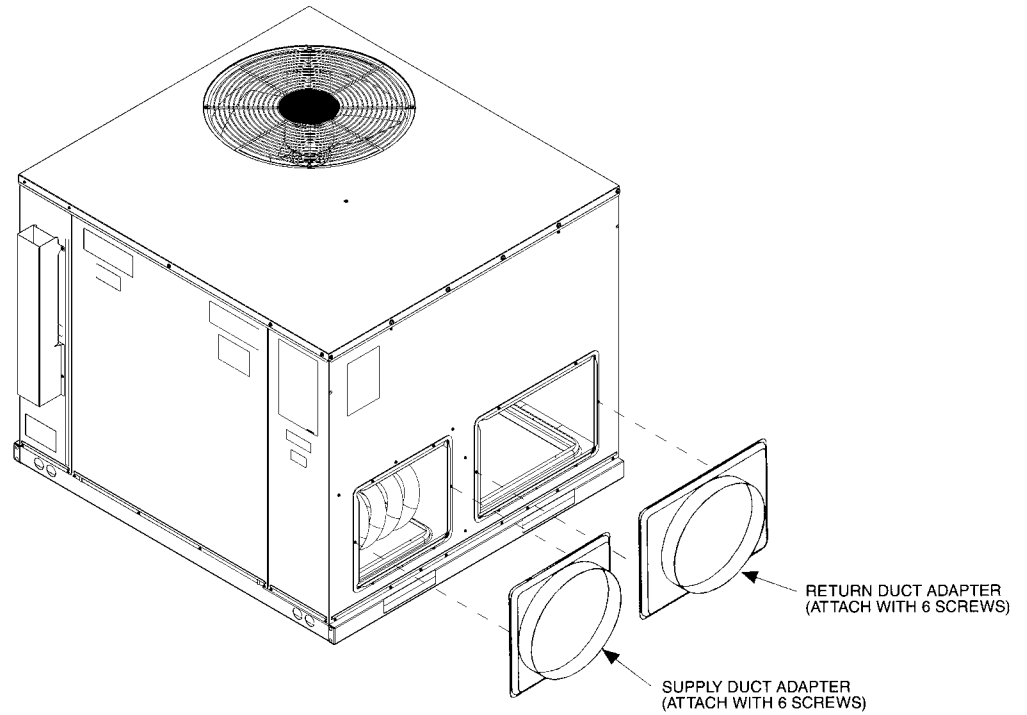
Airflow Pressure Drop, Inches W.C. [kPa]		
CFM [L/s]	1" Filter	2" Filter
500 [236]	.02 [.0050]	.03 [.0075]
600 [283]	.02 [.0050]	.03 [.0075]
700 [330]	.03 [.0075]	.04 [.0101]
800 [378]	.04 [.0101]	.05 [.0124]
900 [425]	.05 [.0124]	.06 [.0149]
1000 [472]	.07 [.0174]	.08 [.0199]
1100 [519]	.08 [.0199]	.09 [.0224]
1200 [566]	.10 [.0249]	.12 [.0299]
1300 [614]	.13 [.0324]	.15 [.0373]
1400 [661]	.16 [.0398]	.19 [.0473]
1500 [708]	.19 [.0473]	.21 [.0523]
1600 [755]	.20 [.0498]	.23 [.0572]
1700 [802]	.21 [.0523]	.24 [.0598]
1800 [850]	.22 [.0548]	.25 [.0623]
1900 [897]	.24 [.0598]	.27 [.0672]
2000 [944]	.26 [.0647]	.29 [.0722]

[] Designates Metric Conversions

DUCT ADAPTER SIDEFLOW SQUARE TO ROUND TRANSITION RXMC-A01

Adapts the side rectangular supply and return openings to 14" [356 mm] diameter round openings. Adapters provided with same finish as unit and also provided with thermal insulation.

[] Designates Metric Conversions

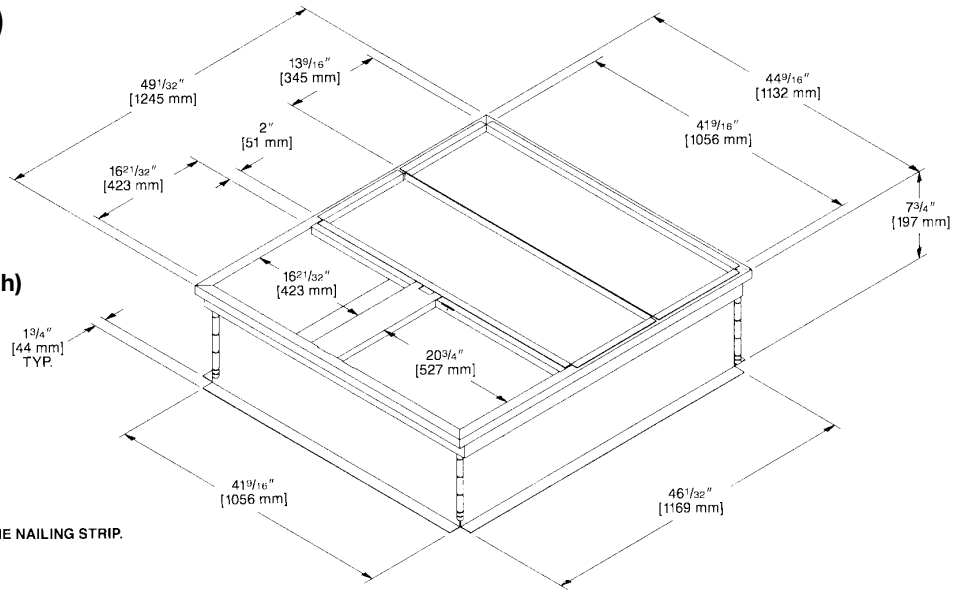


ROOFCURB (Full Perimeter)

RXSG-AAA08, RXSG-AAA14 and RXSG-AAA24

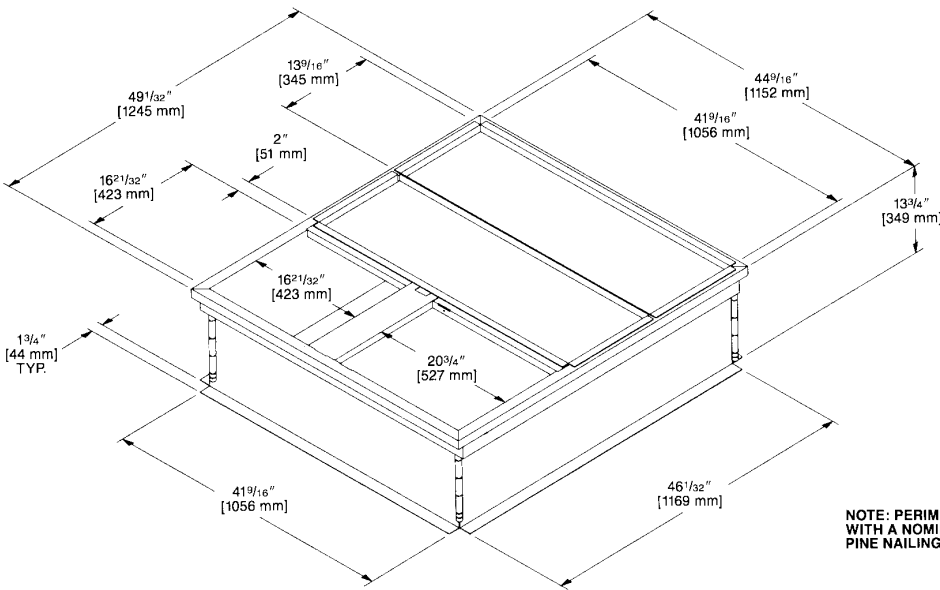
Hinged corners make for fast, easy set-up.

RXSG-AAA08
(8" [203 mm] High)



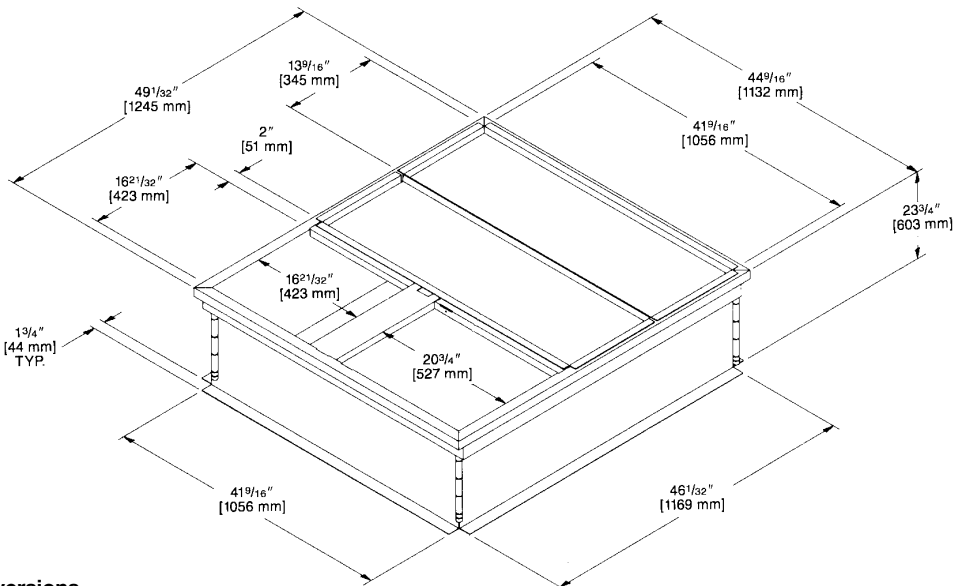
NOTE: PERIMETER OF ROOFCURB IS SUPPLIED WITH A NOMINAL 1" [25.4 mm] x 4" [102 mm] PINE NAILING STRIP.

RXSG-AAA14
(14" [356 mm] High)



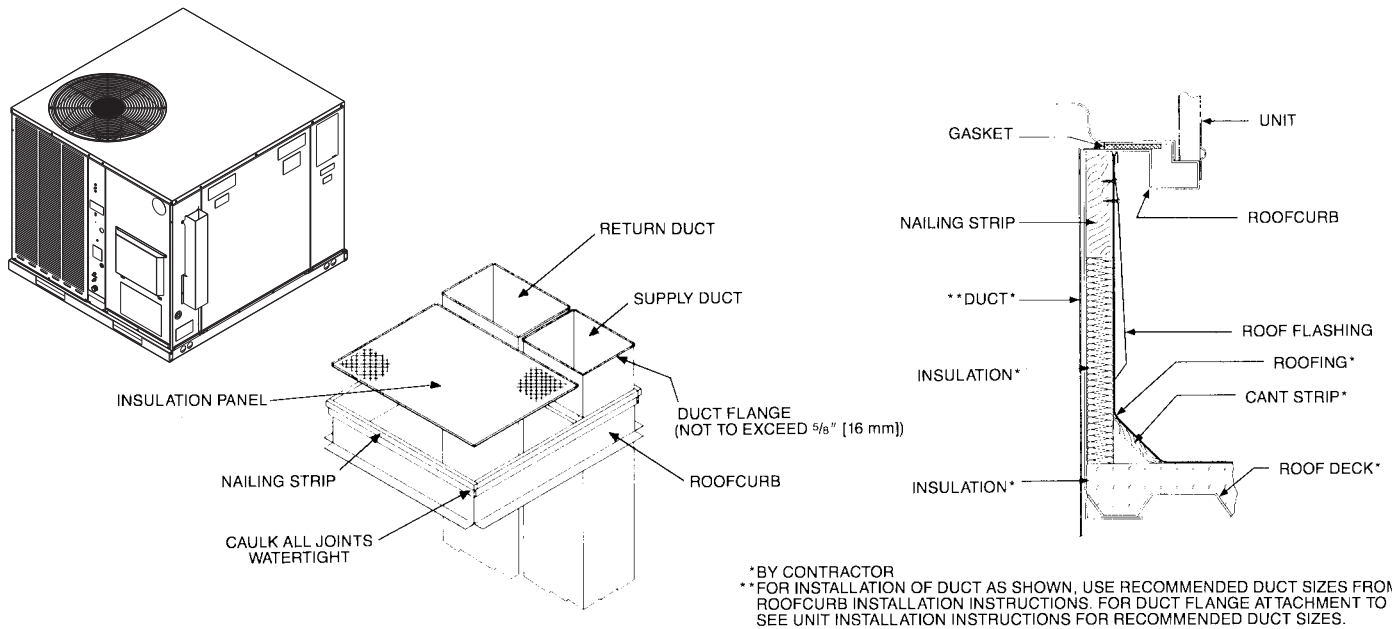
NOTE: PERIMETER OF ROOFCURB IS SUPPLIED WITH A NOMINAL 1" [25.4 mm] x 4" [102 mm] PINE NAILING STRIP.

RXSG-AAA24
(24" [610 mm] High)



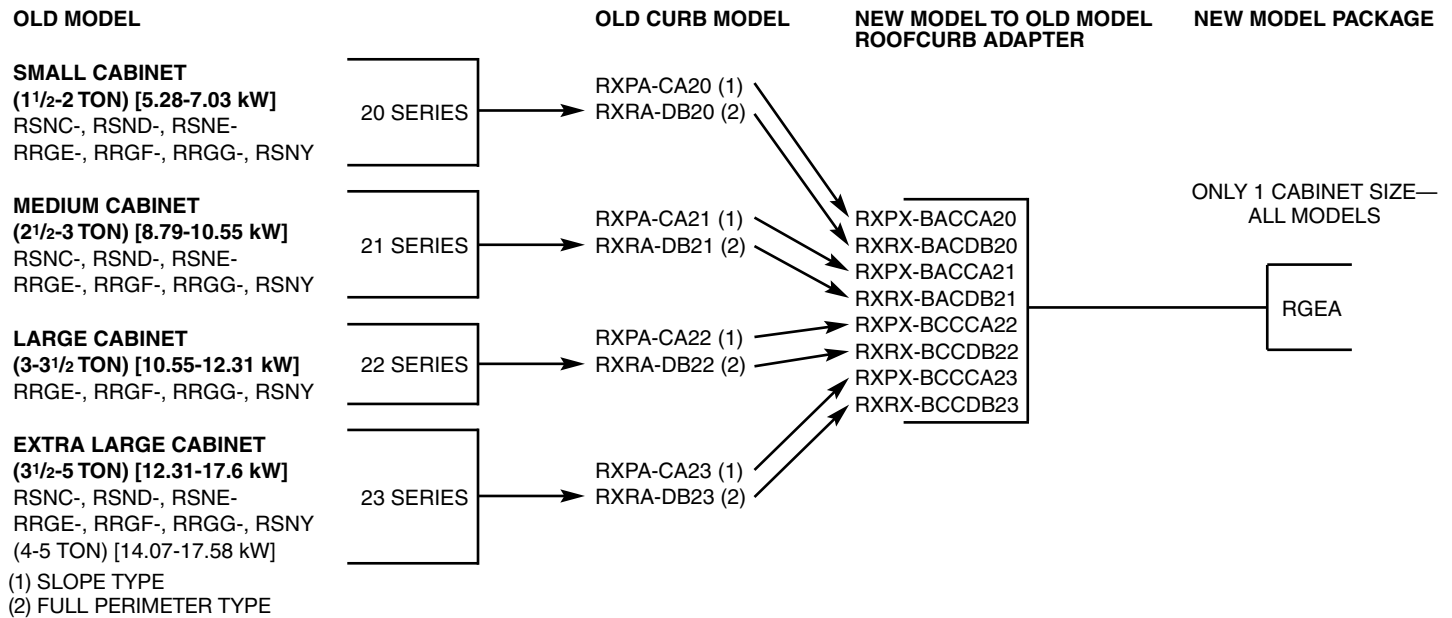
[] Designates Metric Conversions

PACKAGE AIR CONDITIONERS & PACKAGE GAS/ELECTRIC UNITS ROOFCURB INSTALLATION (Full Perimeter)



ROOFCURB ADAPTERS

Fabricated from galvanized steel to adapt the New cabinet to the old style curb. All are furnished with a New gasket.

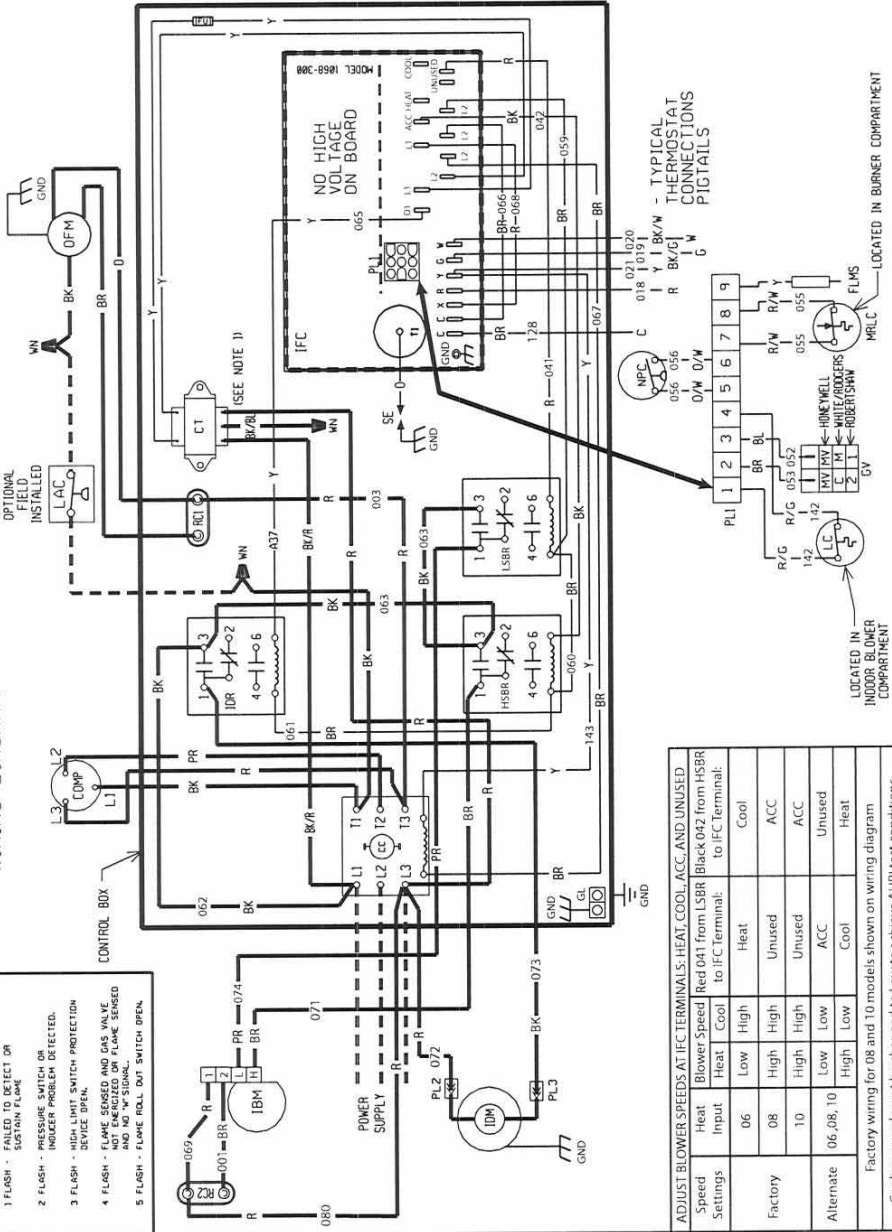


[] Designates Metric Conversions

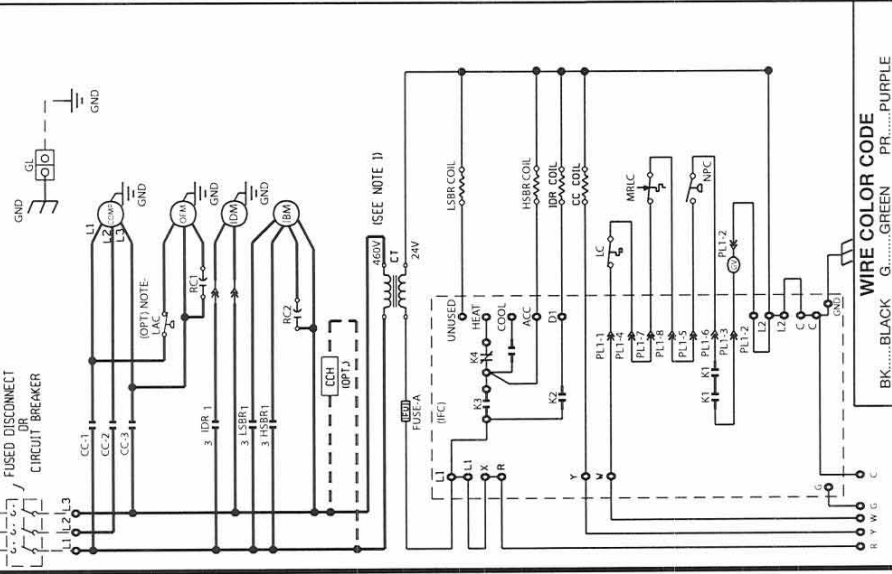
PRINTING INSTRUCTIONS: MAKE EXACTLY 8.0 IN X 10.0 IN. WHITE BACKGROUND WITH BLACK PRINTING
MATERIAL: PRESSURE SENSITIVE ADHESIVE BACKED LABEL

- DIAGNOSTICS**
- 1 FLUSH - FUSES TO RESET OR SUSTAIN FLAME
 - 2 FLUSH - PRESSURE SWITCH OR PROBLEP PROBLEM BE DETECTED.
 - 3 FLUSH - HIGH LIMIT SWITCH - PROTECTION SERVICE OPEN
 - 4 FLUSH - FLAME SENSED AND GAS VALVE AND NO "V" SIGNAL.
 - 5 FLUSH - FLAME ROLL OUT SWITCH OPEN.

WIRING DIAGRAM



WIRING SCHEMATIC



WIRE COLOR CODE

BK.....BLACK G.....GREEN PR.....PURPLE
BR.....BROWN GV.....GRAY R.....RED
BL.....BLUE O.....ORANGE W.....WHITE
Y.....YELLOW

ELECTRICAL WIRING DIAGRAM

3.0 TON GAS/ELECTRIC
W/ INTEGRATED FURNACE CONTROL
460V, 3-PHASE

APPROVED: [Signature] CHECKED: [Signature]
MODELER: ZJW DATE: 04-22-14 ORIGINAL RELEASE NO.: R-1059S014
PART NO.: 90-23626-21 REV: 00

COMPONENT CODES

CC	COMPRESSOR CONTACTOR	LAC	LOW AMBIENT COOLING CONTROL
CDMP	COMPRESSOR CONTROL TRANSFORMER	LC	LOW SPEED BLOWER RELAY
FLMS	FLAME SENSOR	LSBR	LOW SPEED BLOWER RELAY
FU	FUSE	MRLC	MAN RESET LIMIT CONTROL
GL	GROUND LUG	NPC	NFC PRESSURE CONTROL
GND	GROUND	OFM	OUTDOOR FAN MOTOR
GV	GAS VALVE	OPT	OPTIONAL
HSBR	HIGH SPEED BLOWER RELAY	PL	PLUG
IBM	INDUCED DRAFT MOTOR	PLUG	PLUG CAPACITOR
IDR	INDUCED DRAFT RELAY	RC	RESISTOR
IFC	INTEGRATED FURNACE CONTROL	SE	SPARK ELECTRODE
		W	WIRE NUT

NOTES

1. MAIN UNIT TRANSFORMER PRIMARY LEADS: BE COMMON BK/R 460V BK/BL 575 (NOT USED)
2. MOTORS & COMPRESSOR THERMALLY PROTECTED. CONNECTORS SUITABLE FOR USE WITH COPPER CONDUCTORS ONLY.
3. WIRING IN GROUNDED RAINLIGHT CONTROL TO 60 HZ FUSED DISCONNECT.
4. LOW VOLTAGE CIRCUIT IS N.E.C. CLASS 2 WITH A CLASS 2 TRANSFORMER 24 VOLT, 50/60 HERTZ SUPPLIED.
5. REPLACEMENT FUSES MUST BE SAME TYPE & SIZE AS ORIGINAL.

WIRING INFORMATION

- FACTORY STANDARD
 - FACTORY OPTION
 - FIELD INSTALLED
 - LOW VOLTAGE
 - FACTORY STANDARD
 - FIELD INSTALLED
- REPLACEMENT WIRE
-MUST BE THE SAME SIZE AND TYPE
-INSULATION AS ORIGINAL (105C. MIN.)
- WARNING
-CABINET MUST BE PERMANENTLY GROUNDED AND CONFORM TO I.E.C. N.E.C. C.E.C. AND NATIONAL WIRING REGULATIONS. AND LOCAL CODES AS APPLICABLE.

ADJUST BLOWER SPEEDS AT IFC TERMINALS: HEAT, COOL, ACC, AND UNUSED

Speed Settings	Heat Input	Cool	Heat	Cool	ACC	Unused	ACC	Unused	Heat
06	Low	High	High	Low	Unused	ACC	Unused	Heat	Heat
08	High	High	High	Low	Unused	ACC	Unused	Heat	Heat
10	High	High	High	Low	Unused	ACC	Unused	Heat	Heat
06, 08, 10	Low	Low	Low	High	ACC	Unused	Heat	Cool	Cool

Factory wiring for 08 and 10 models shown on wiring diagram
Cooling speed must be changed to Low to achieve AHRI test conditions



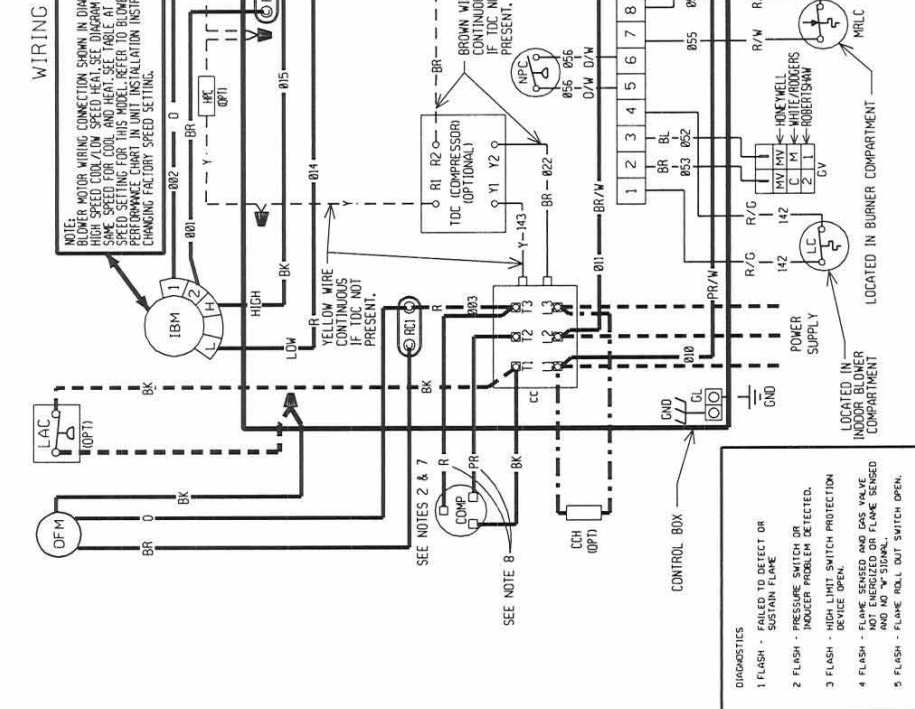
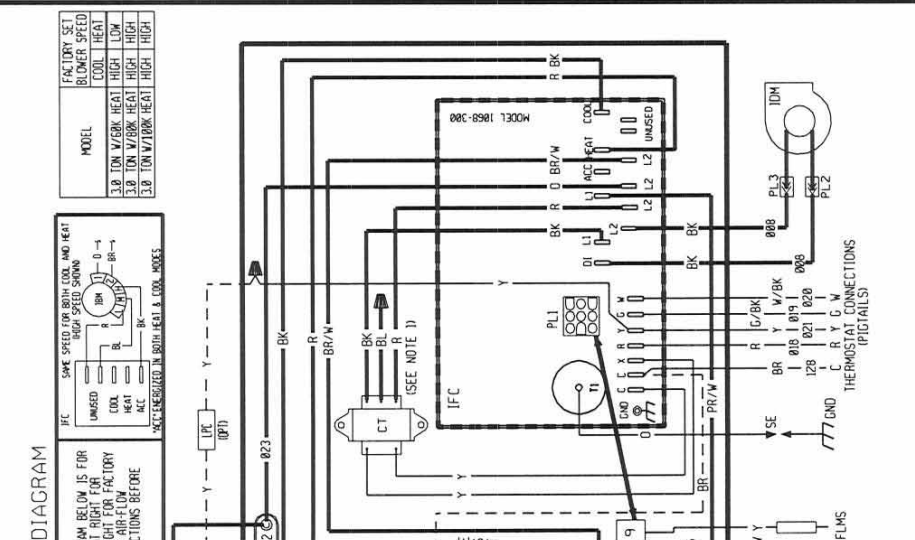
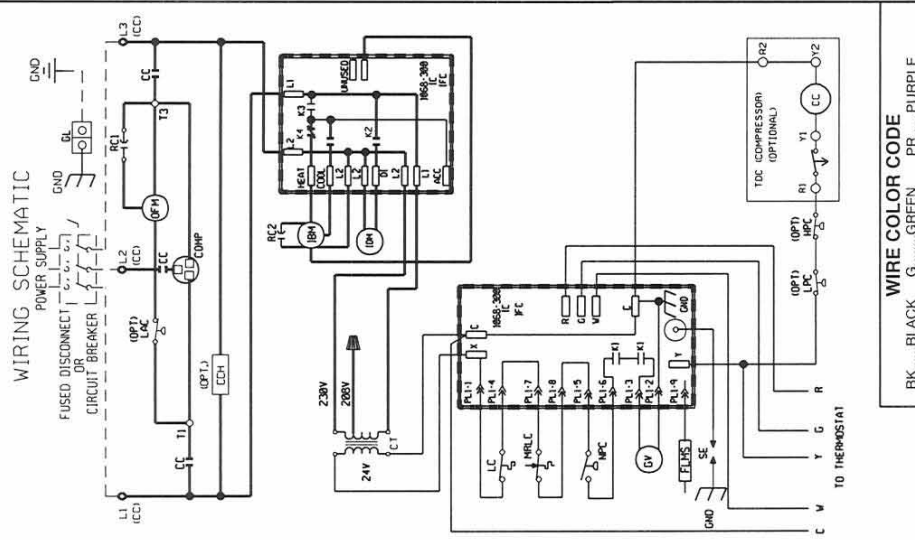
PRINTING INSTRUCTIONS: MAKE EXACTLY 8.0 IN X 10.0 IN. WHITE BACKGROUND WITH BLACK PRINTING
MATERIAL: PRESSURE SENSITIVE, ADHESIVE BACKED LABEL

NO REVISION TO DESIGN, MATERIAL, TOOLING, OR PROCESS IS ACCEPTABLE WITHOUT PRIOR APPROVAL FROM RHEEM THROUGH AN AUTHORIZED CHANGE NOTICE. A REVISED ENGINEERING SPECIFICATION AND A RESAMPLING OF PARTS. THE SUPPLIER IS RESPONSIBLE FOR NOTIFYING RHEEM R & D AND PURCHASING DEPARTMENT'S IN WRITING OF ANY CHANGES AFFECTING PRODUCT QUALITY, PERFORMANCE, RELIABILITY, PACKAGING, DELIVERY OR WORKING CONDITIONS. APPROVALS REFERRED TO IN THIS DRAWING ARE INCLUDED IN THE SPECIFICATIONS FOR THIS COMPONENT.

MODEL	COOL	HEAT	LOW	HIGH
3.0 TON V/BK-HEAT	HIGH	LOW		
3.0 TON V/BK-HEAT	HIGH	HIGH		
3.0 TON V/BK-HEAT	HIGH	HIGH	HIGH	

WIRING SCHEMATIC
POWER SUPPLY
FUSED DISCONNECT
CIRCUIT BREAKER
GND
L1
L2
L3
CC
CCH
CCHP
T1
T2
T3
LAC
OPT1
OPT2
OPT3
OPT4
OPT5
OPT6
OPT7
OPT8
OPT9
OPT10
OPT11
OPT12
OPT13
OPT14
OPT15
OPT16
OPT17
OPT18
OPT19
OPT20
OPT21
OPT22
OPT23
OPT24
OPT25
OPT26
OPT27
OPT28
OPT29
OPT30
OPT31
OPT32
OPT33
OPT34
OPT35
OPT36
OPT37
OPT38
OPT39
OPT40
OPT41
OPT42
OPT43
OPT44
OPT45
OPT46
OPT47
OPT48
OPT49
OPT50
OPT51
OPT52
OPT53
OPT54
OPT55
OPT56
OPT57
OPT58
OPT59
OPT60
OPT61
OPT62
OPT63
OPT64
OPT65
OPT66
OPT67
OPT68
OPT69
OPT70
OPT71
OPT72
OPT73
OPT74
OPT75
OPT76
OPT77
OPT78
OPT79
OPT80
OPT81
OPT82
OPT83
OPT84
OPT85
OPT86
OPT87
OPT88
OPT89
OPT90
OPT91
OPT92
OPT93
OPT94
OPT95
OPT96
OPT97
OPT98
OPT99
OPT100

WIRING DIAGRAM
NOTE: BLOWER MOTOR WIRING CONNECTION SHOWN IN DIAGRAM BELOW IS FOR HIGH SPEED COOL/LOW SPEED HEAT. SEE DIAGRAM AT RIGHT FOR LOW SPEED COOL/LOW SPEED HEAT. REFER TO BLOWER AIR-FLOW PERFORMANCE CHART IN UNIT INSTALLATION INSTRUCTIONS BEFORE CHANGING FACTORY SPEED SETTING.
NOTE: BLOWER MOTOR WIRING CONNECTION SHOWN IN DIAGRAM BELOW IS FOR HIGH SPEED COOL/LOW SPEED HEAT. SEE DIAGRAM AT RIGHT FOR LOW SPEED COOL/LOW SPEED HEAT. REFER TO BLOWER AIR-FLOW PERFORMANCE CHART IN UNIT INSTALLATION INSTRUCTIONS BEFORE CHANGING FACTORY SPEED SETTING.
NOTE: BLOWER MOTOR WIRING CONNECTION SHOWN IN DIAGRAM BELOW IS FOR HIGH SPEED COOL/LOW SPEED HEAT. SEE DIAGRAM AT RIGHT FOR LOW SPEED COOL/LOW SPEED HEAT. REFER TO BLOWER AIR-FLOW PERFORMANCE CHART IN UNIT INSTALLATION INSTRUCTIONS BEFORE CHANGING FACTORY SPEED SETTING.



WIRE COLOR CODE

BK.....BLACK G.....GREEN PR.....PURPLE
BR.....BROWN GR.....GRAY R.....RED
BL.....BLUE O.....ORANGE W.....WHITE
Y.....YELLOW

ELECTRICAL WIRING DIAGRAM

3.0 TON GAS/ELECTRIC
W/ INTEGRATED FURNACE CONTROL
W/SPC-BLOWER MOTOR
208/230V, 3-PHASE

APPROVED: [Signature] CHECKED: [Signature] ORIGINAL RELEASE NO.
MODELED: ZJW DATE: 05-07-14 R-1059S015
PART NO.: 90-23626-23 REV: 00

COMPONENT CODES

CC COMPRESSOR CONTACTOR
CCH CRANKCASE HEATER
COMP COMPRESSOR
CT CONTROL TRANSFORMER
FLMS FLAME SENSOR
GL GROUND LUG
GV GAS VALVE
HPC HIGH PRESSURE CONTROL
IBM INDOOR BLOWER MOTOR
IDM INDUCED DRAFT MOTOR
IFC INTEGRATED FURNACE CONTROL
HOS HOT GAS SENSOR
LAC LOW AMBIENT COOLING CONTROL
LC LIMIT CONTROL

LOW PRESSURE CONTROL
MAN. RESET LIMIT CONTROL
NEG. PRESSURE CONTROL
OUTDOOR FAN MOTOR
OPT PLUG
RC RUN CAPACITOR
SE SPARK ELECTRODE
TDC TIME DELAY CONTROL
WIRE NUT

NOTES

1. MAIN UNIT TRANSFORMER PRIMARY LEADS: 50 HZ, COMMON BLUE-208 V, BLACK-230 V INTERCHANGE BLACK & BLUE LEADS FOR 208 V TRANSFORMER OPERATION.
2. MOTORS & COMPRESSOR THERMALLY PROTECTED. CONNECTORS SUITABLE FOR USE WITH COPPER CONDUCTORS ONLY.
3. CONNECT FIELD WIRING IN GROUNDED RAIN-TIGHT CONDUIT TO 60 HZ FUSED DISCONNECT.
4. LOW VOLTAGE CIRCUIT IS N.E.C. CLASS 2 WITH CLASS 2 TRANSFORMER 24 VOLT, 50/60 HERTZ (PARTIAL).
5. REPLACEMENT PARTS MUST BE SAME TYPE & SIZE AS ORIGINAL.
6. COMPRESSOR PROTECTED UNDER PRIMARY PHASE CONDITIONS.
7. SINGLE-PHASE WIRING ARE ALL BLACK FOR UNITS WITHOUT MOLDED COMPRESSOR PLUG.

WIRING INFORMATION

LINE VOLTAGE
-FACTORY STANDARD
-FACTORY OPTION
-FIELD INSTALLED
-LOW VOLTAGE
-FACTORY STANDARD
-FIELD INSTALLED

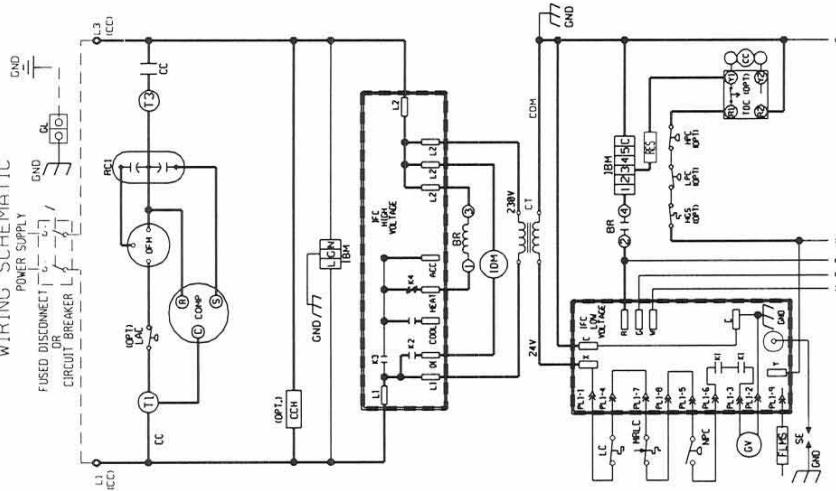
REPLACEMENT WIRE
-MUST BE THE SAME SIZE AND TYPE
OF INSULATION AS ORIGINAL (105C. MIN.)
-CABINET MUST BE PERMANENTLY GROUNDED AND CONFORM TO I.E.C. N.E.C. C.E.C.
NATIONAL WIRING REGULATIONS AND LOCAL CODES AS APPLICABLE



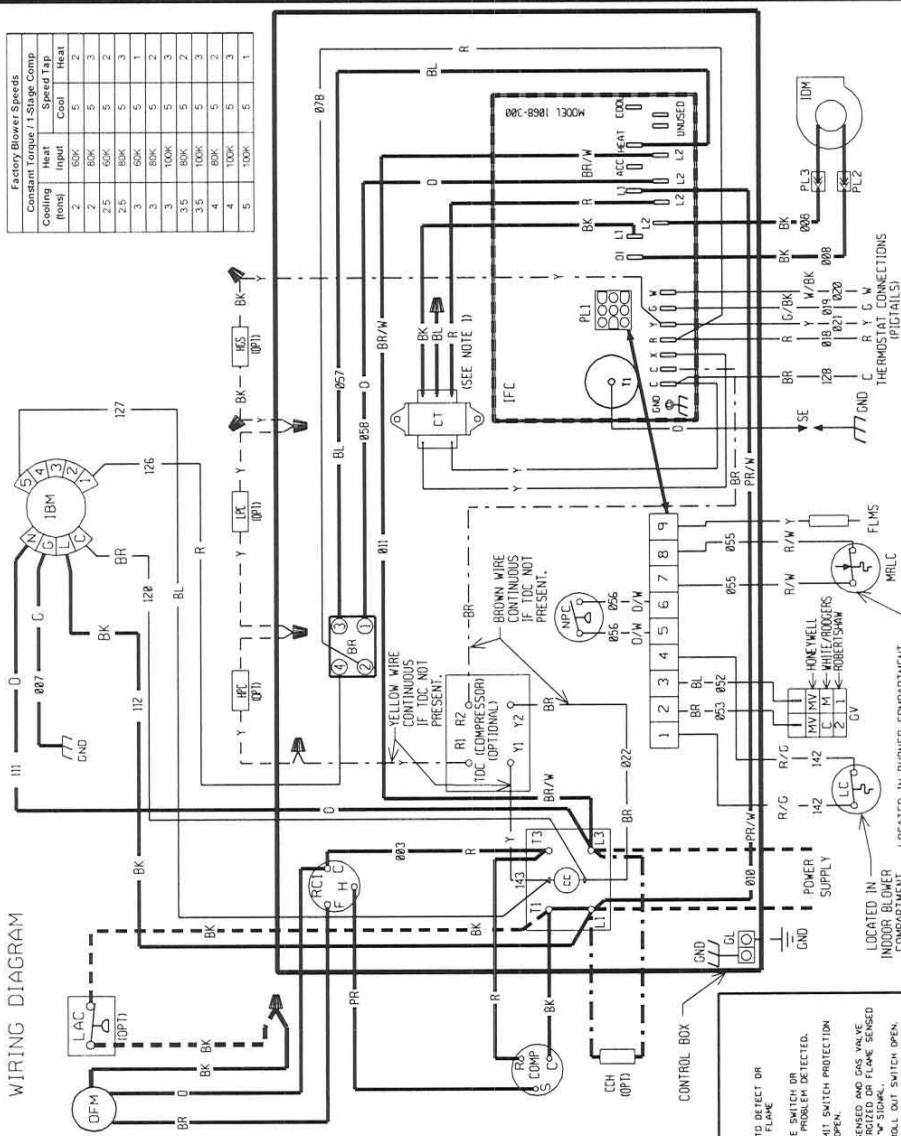
Air

NO REVISION TO DESIGN, MATERIAL, TOOLING, OR PROCESS IS ACCEPTABLE WITHOUT PRIOR APPROVAL FROM RHEEM THROUGH AN AUTHORIZED CHANGE NOTICE. A REVISED ENGINEERING SPECIFICATION AND A REWORKING OF THE DRAWING SHALL BE REQUIRED FOR ANY CHANGES TO THE DESIGN AND PURCHASING DEPARTMENTS IN MARKS OF ANY CHANGES AFFECTING PRODUCT QUALITY, PERFORMANCE, RELIABILITY, PACKAGING, DELIVERY OR WORKMANSHIP. ANY DOCUMENTS REFERRED TO ON THIS DRAWING ARE INCLUDED IN THE SPECIFICATIONS FOR THIS COMPONENT.

WIRING SCHEMATIC



Factory Blower Speeds		
Constant Torque 1-Stage Comp Capacity (ton)	Input (kW)	Output (Horse)
2	60K	5
2	60K	5
2.5	60K	5
2.5	60K	5
3	60K	5
3	60K	5
3.5	80K	5
3.5	80K	5
4	80K	5
4	80K	5
5	100K	5
5	100K	5



PRINTING INSTRUCTIONS: MAKE EXACTLY 8.0 IN X 10.0 IN. WHITE BACKGROUND WITH BLACK PRINTING

MATERIAL: PRESSURE SENSITIVE, ADHESIVE BACKED LABEL

COMPONENT CODES

- LC LIMIT CONTROL
- LOW PRESSURE CONTROL
- MAN. RESET LIMIT CONTROL
- NEG. PRESSURE CONTROL
- OUTDOOR FAN MOTOR
- OPTIONAL PLUG
- PL PLUG
- RC RUN CAPACITOR
- SE SPARK ELECTRODE
- TDC TIME DELAY CONTROL
- WIRE NUT

NOTES

1. MAIN UNIT TRANSFORMER PRIMARY LEADS: 60 HZ COMMON BLUE-208 V, BLACK-230 V PERFORMANCE BLACK & BLUE LEADS FOR 208 V TRANSFORMER OPERATION.
2. MOTORS & COMPRESSOR THERMALLY PROTECTED. CONNECTORS SUITABLE FOR USE WITH COPPER CONDUCTORS ONLY.
3. CONNECT FIELD WIRING IN GROUNDED PAINT TIGHT LOW VOLTAGE CHUTE USES WIRE GAUGE: 2 WITH A CLASS 2 TRANSFORMER 24-VOLT, 50/60 HERTZ SUPPLIED.
4. REPLACEMENT FUSES MUST BE SAME TYPE & SIZE AS ORIGINAL.

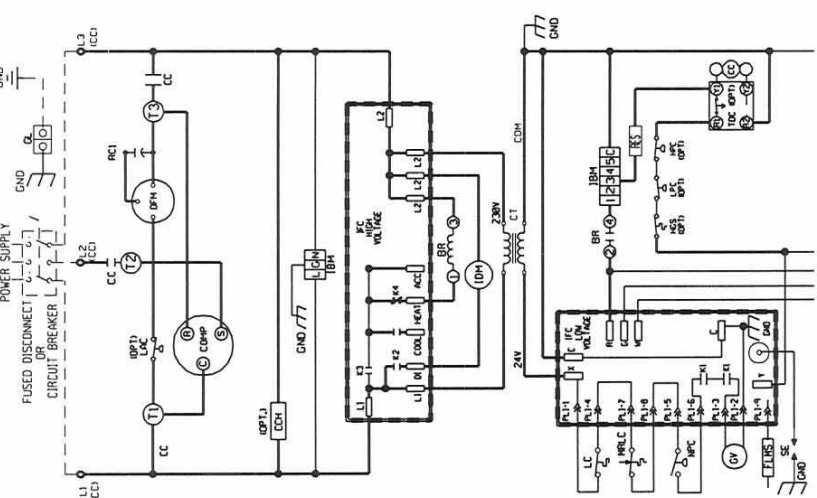
WIRING INFORMATION

LINE VOLTAGE - FACTORY STANDARD
-FACTORY OPTION
-FIELD INSTALLED
LOW VOLTAGE - FACTORY STANDARD
-FIELD INSTALLED
REPLACEMENT WIRE MUST BE THE SAME SIZE AND TYPE OF INSULATION AS ORIGINAL (106C, MIN)

WARNING MUST BE PERMANENTLY GROUNDED AND CONFORM TO IEC, N.E.C. AND LOCAL NATIONAL WIRING REGULATIONS AND LOCAL CODES AS APPLICABLE.

NO REVISION TO DESIGN, MATERIAL, TOOLING, OR PROCESS IS ACCEPTABLE WITHOUT PRIOR APPROVAL FROM RHEEM THROUGH AN AUTHORIZED CHANGE NOTICE. THE SUPPLIER IS RESPONSIBLE FOR NOTIFYING RHEEM R & D AND PURCHASING DEPARTMENTS IN WRITING OF ANY CHANGES AFFECTING WORKMANSHIP. ANY DOCUMENTS REFERRED TO ON THIS DRAWING ARE INCLUDED IN THE SPECIFICATIONS FOR THIS COMPONENT.

WIRING SCHEMATIC



WIRE COLOR CODE

BK.....BLACK G.....GREEN PR.....PURPLE
BR.....BROWN GY.....GRAY R.....RED
BL.....BLUE O.....ORANGE W.....WHITE
Y.....YELLOW

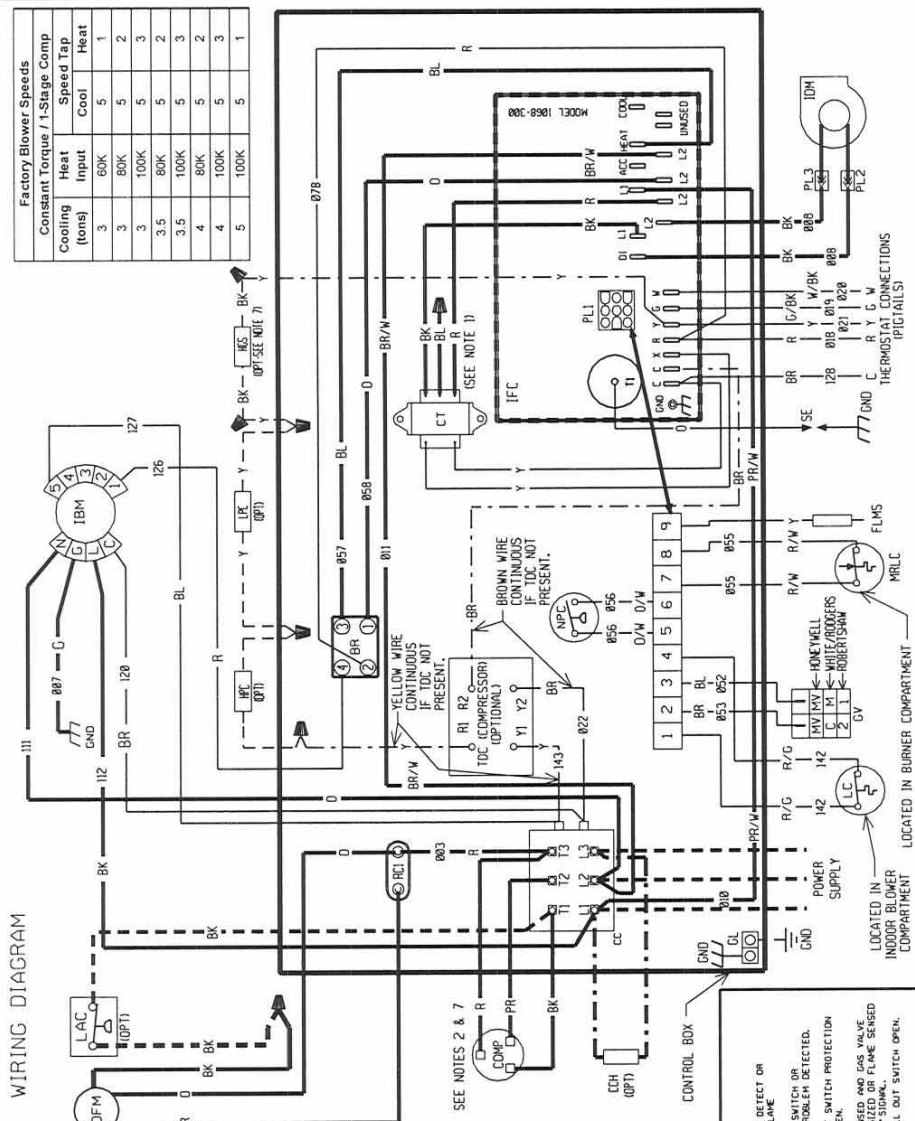
ELECTRICAL WIRING DIAGRAM

3.0 - 5.0 TON SINGLE STAGE GAS/ELECTRIC
W/ INTEGRATED FURNACE CONTROL
W/ CONSTANT TORQUE BLOWER MOTOR
208/230V, 3-PHASE

APPROVED: [Signature] CHECKED: [Signature] ORIGINAL RELEASE NO. R-1059S015
MODELED: ZJW DATE: 05-07-14
PART NO.: 90-23626-25 REV: 00

Factory Blower Speeds

Constant Torque / 1-Stage Comp	Speed Tap	Heat	Cool
3	60K	5	1
3	80K	5	2
3	100K	5	3
3.5	80K	5	2
3.5	100K	5	3
4	80K	5	2
4	100K	5	3



COMPONENT CODES

BR BLOWER RELAY
CC COMPRESSOR CONTACTOR
CCH CRANKCASE HEATER
CDMP COMPRESSOR
CT CONTROL TRANSFORMER
FLMS FLAME SENSOR
GL GROUND LUG
GND GROUND
GV GAS VALVE
HPC HIGH PRESSURE CONTROL
IBM INDOOR BLOWER MOTOR
IDM INDUCED DRAFT MOTOR
IFC INTEGRATED FURNACE CONTROL
HGS HOT GAS SENSOR
LAC LOW AMBIENT COOLING CONTROL

LIMIT CONTROL
LC LOW PRESSURE CONTROL
LPC MAN. RESET LIMIT CONTROL
NPC NEG. PRESSURE CONTROL
OFM OUTDOOR FAN MOTOR
OPT OPTIONAL
PL PLUG
RC RUN CAPACITOR
RES RESISTOR
SE SPARK ELECTRODE
TDC TIME DELAY CONTROL
WIRE NUT

- NOTES**
1. MAIN UNIT TRANSFORMER PRIMARY LEADS:
60 HZ - COMMON BLUE-208 V BLACK-230 V
RED-INTERCHANGE BLACK & BLUE LEADS FOR
208 V TRANSFORMER OPERATION.
 2. MOTORS & COMPRESSOR THERMALLY PROTECTED.
CONNECTORS SUITABLE FOR USE WITH COPPER
 3. CONNECT FIELD WIRING IN GROUNDED RAIN TIGHT
CONDUIT TO 60 HZ FUSED DISCONNECT.
 4. LOW VOLTAGE TRANSFORMER 24 VOLT, 50/60
HERTZ SUPPLIED.
 5. SEAL-A-MEN ENGINE OIL
 6. COMPRESSOR PROTECTED UNDER
NATIONAL WIRING REGULATIONS, AND LOCAL
CODES AS APPLICABLE.
 7. PRIMARY SINGLE PHASE CONDITIONS.

- WIRING INFORMATION**
- LINE VOLTAGE _____
-FACTORY STANDARD _____
-FACTORY OPTION _____
-FIELD INSTALLED _____
-FIELD INSTALLED _____
-FACTORY STANDARD _____
-FIELD INSTALLED _____
- REPLACEMENT WIRE _____
-MUST BE THE SAME SIZE AND TYPE _____
-OF INSULATION AS ORIGINAL (105C. MIN.) _____
- WARNING
-CABINET MUST BE PERMANENTLY GROUNDED _____
-AND CONFORM TO I.E.C., N.E.C., O.E.C. _____
-NATIONAL WIRING REGULATIONS, AND LOCAL _____
CODES AS APPLICABLE

PRINTING INSTRUCTIONS: MAKE EXACTLY 8.0 IN X 10.0 IN. WHITE BACKGROUND WITH BLACK PRINTING

MATERIAL: PRESSURE SENSITIVE, ADHESIVE BACKED LABEL

WIRING DIAGRAM

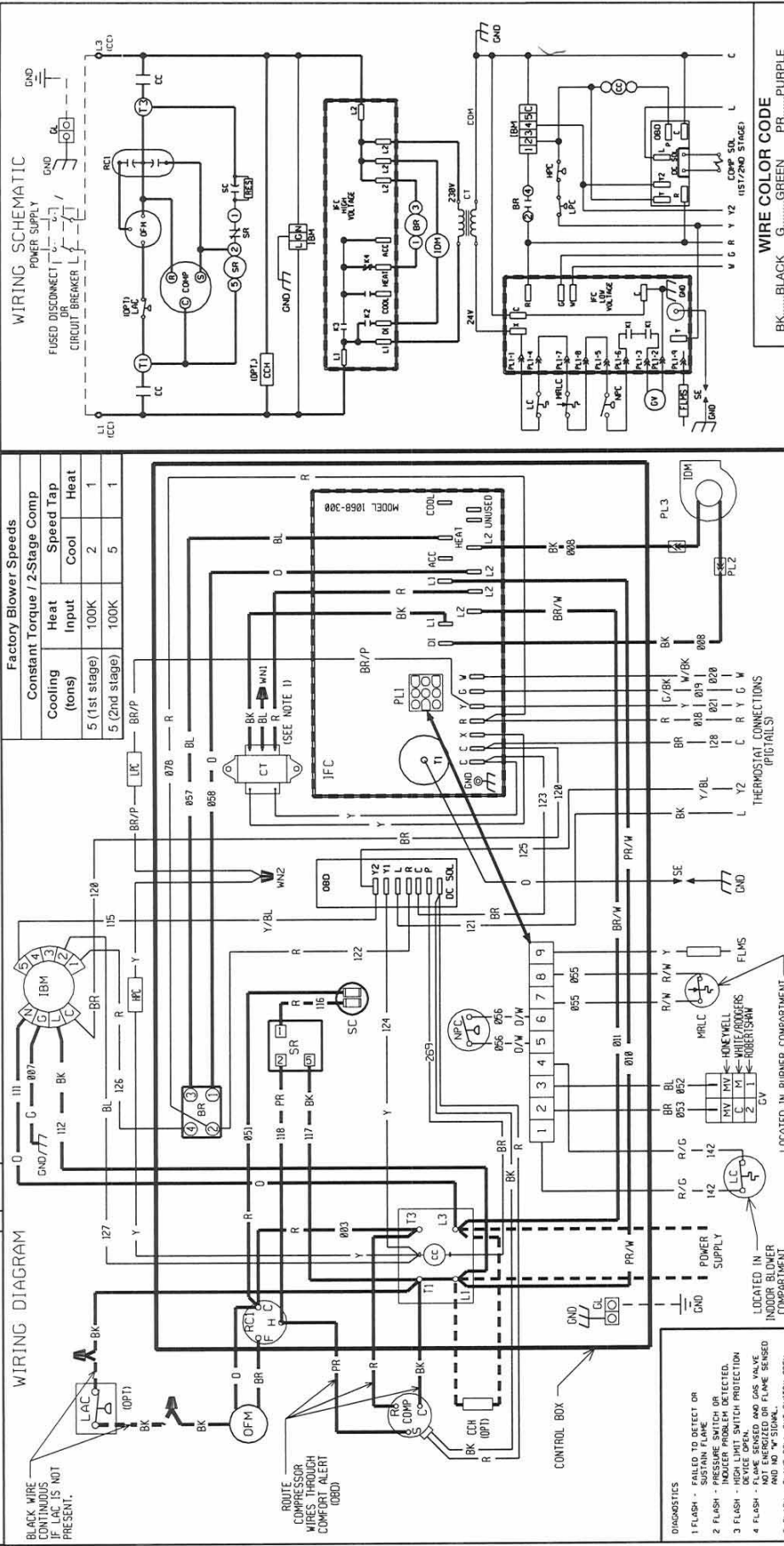
- DIAGNOSTICS**
- 1 FLASH - FAILED TO DETECT OR SUSTAIN FLAME
 - 2 FLASH - PRESSURE SWITCH OR INDUCER PROBLEM DETECTED.
 - 3 FLASH - HIGH LIMIT SWITCH PROTECTION DEVICE OPEN.
 - 4 FLASH - FLAME SENSORS AND GAS VALVE NOT ENERGIZED OR FLAME SENSED AND NO "SIGNAL".
 - 5 FLASH - FLAME ROLL OUT SWITCH OPEN.

NO REVISION TO DESIGN, MATERIAL, TOOLING OR PROCESS IS ACCEPTABLE WITHOUT THE WRITING OF AN ENGINEERING SPECIFICATION AND A REWORK CHANGE NOTICE. A REWORK ENGINEERING SPECIFICATION AND A REWORK CHANGE NOTICE IS THE SUPPLIER'S RESPONSIBILITY FOR NOTIFYING RHEEM R & D AND PURCHASING DEPARTMENTS IN WRITING OF ANY CHANGES AFFECTING PRODUCT QUALITY, PERFORMANCE, RELIABILITY, PACKAGING, DELIVERY OR WORKMANSHIP. ANY DOCUMENTS REFERRED TO ON THIS DRAWING ARE INCLUDED IN THE SPECIFICATIONS FOR THIS COMPONENT.

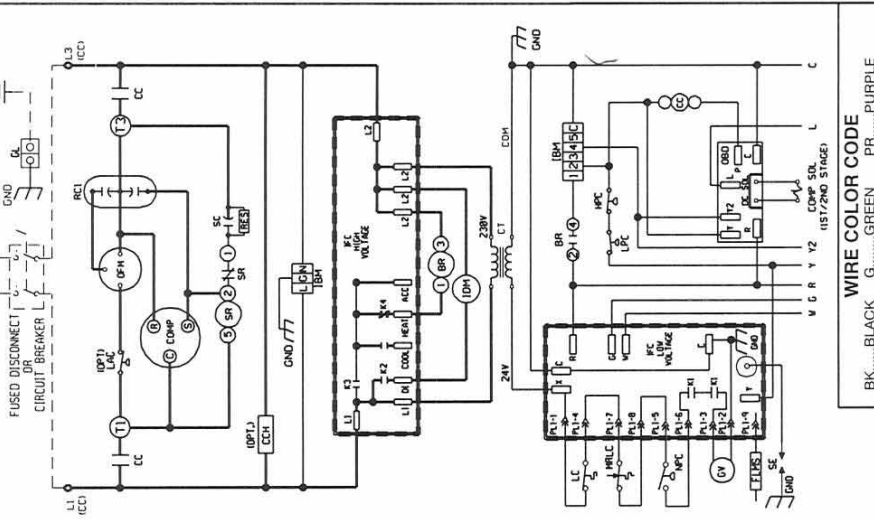
Factory Blower Speeds	
Constant Torque / 2-Stage Comp	Speed Tap
Cooling (tons)	Cool
Heat Input	Heat
5 (1st stage)	100K
5 (2nd stage)	100K
	2
	5
	1

PRINTING INSTRUCTIONS: MAKE EXACTLY 8.0 IN X 10.0 IN. WHITE BACKGROUND WITH BLACK PRINTING

MATERIAL: PRESSURE SENSITIVE, ADHESIVE BACKED LABEL



WIRING SCHEMATIC



WIRE COLOR CODE

BK.....BLACK	GY.....GRAY	PR.....PURPLE
BR.....BROWN	OR.....ORANGE	RD.....RED
BL.....BLUE	W.....WHITE	Y.....YELLOW

ELECTRICAL WIRING DIAGRAM

5.0 TON GAS/ELECTRIC
W/ INTEGRATED FURNACE CONTROL
W/ CONSTANT TORQUE BLOWER MOTOR
W/ 2-STAGE COMPRESSOR
208/230V, 1-PHASE

APPROVED	CHECKED	DATE	NO.
<i>[Signature]</i>	<i>[Signature]</i>	05-07-14	R-1062S001
MODELED BY	ZJW		
PART NO.:	90-23626-26	REV.:	00

COMPONENT CODES

BR	BLOWER RELAY	LC	LOW PRESSURE CONTROL
CC	COMPRESSOR CONTACTOR	LPC	LOW PRESSURE CONTROL
CCH	CRANKCASE HEATER	MRLC	MAN. RESET LIMIT CONTROL
COMP	COMPRESSOR	NPC	NEG. PRESSURE CONTROL
CT	CONTROL TRANSFORMER	OBD	ON BOARD DIAGNOSTICS
FLMS	FLAME SENSOR	OFM	OUTDOOR FAN MOTOR
GL	GROUND LUG	OPT	OPTIONAL
GRD	GROUND	PL	PLUG
GV	GAS VALVE	RC	RUN CAPACITOR
HPC	HIGH PRESSURE CONTROL	SC	START CAPACITOR
IDM	INDOOR BLOWER MOTOR	SE	SPARK ELECTRODE
IFC	INTEGRATED FURNACE CONTROL	SR	START RELAY
LAC	LOW AMBIENT COOLING CONTROL	WN	WIRE NUT

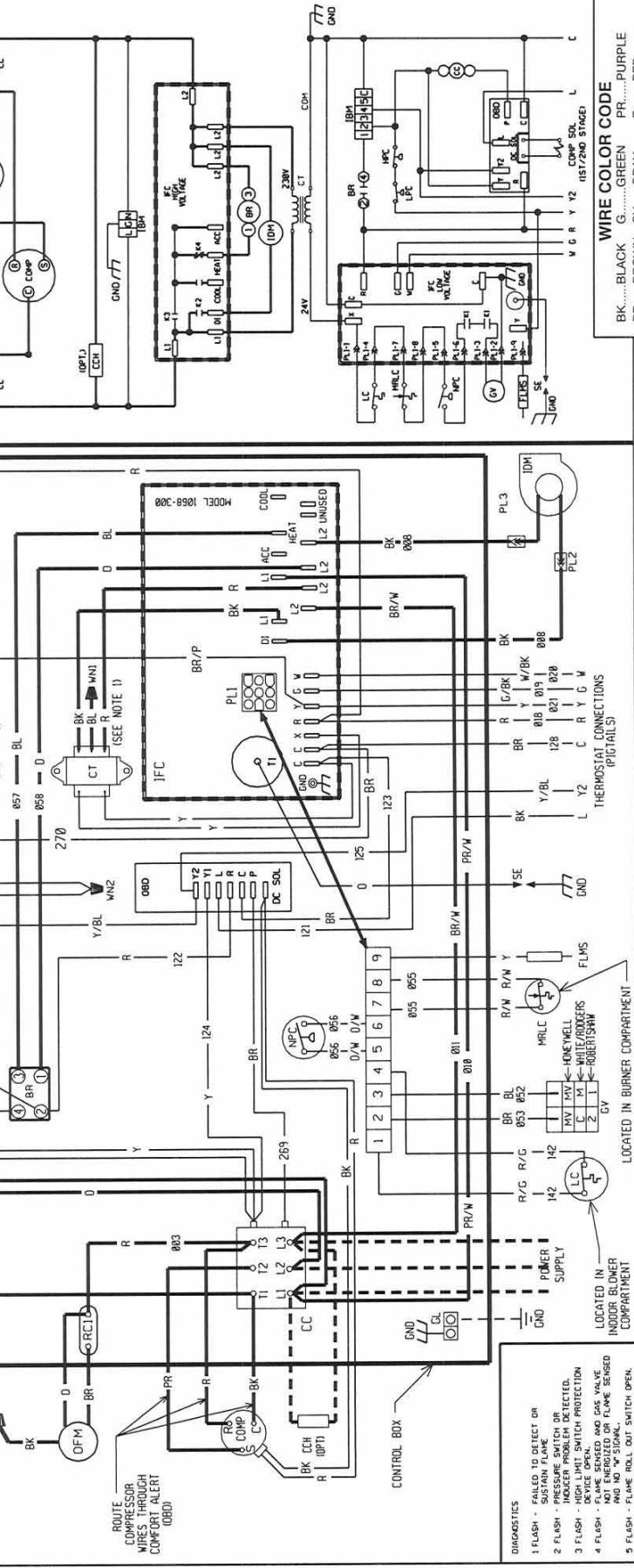
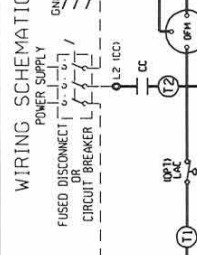
- NOTES**
1. MAIN UNIT TRANSFORMER PRIMARY LEADS: 50 HZ COMMON BLUE-208 V. BLACK-230 V. INTERCHANGE BLACK & BLUE LEADS FOR 208 V. TRANSFORMER OPERATION.
 2. MOTORS & COMPRESSOR THERMALLY PROTECTED. CONNECTORS SUITABLE FOR USE WITH COPPER CONDUCTORS ONLY.
 3. CONNECT FIELD WIRING IN GROUNDING RAIN TIGHT LOW VOLTAGE CIRCUITS.
 4. LOW VOLTAGE CIRCUITS N.E.C. CLASS 2 WITH HERTZ SUPPLIED.
 5. REPLACEMENT FUSES MUST BE SAME TYPE & SIZE AS ORIGINAL.

- WIRING INFORMATION**
- LINE VOLTAGE
 - FACTORY STANDARD
 - FACTORY OPTION
 - FIELD INSTALLED
 - LOW VOLTAGE
 - FACTORY STANDARD
 - FIELD INSTALLED
 - REPLACEMENT WIRE
 - FIELD STANDARD
 - FIELD INSTALLED
 - WARNING: REPLACEMENT FUSES MUST BE SAME TYPE & SIZE AS ORIGINAL (155C, MIN)
 - CAUTION: CABINET MUST BE PERMANENTLY GROUNDED FOR ALL WIRING TO I.E.C. NATIONAL WIRING REGULATIONS AND LOCAL CODES AS APPLICABLE.

PRINTING INSTRUCTIONS: MAKE EXACTLY 8.0 IN X 10.0 IN. WHITE BACKGROUND WITH BLACK PRINTING
MATERIAL: PRESSURE SENSITIVE, ADHESIVE BACKED LABEL

Factory Blower Speeds

Constant Torque	Heat Input (tons)	Speed Tap
5 (1st stage)	100K	2
5 (2nd stage)	100K	5



WIRE COLOR CODE

BK.....BLACK G.....GREEN PR.....PURPLE
BR.....BROWN GR.....GRAY R.....RED
BL.....BLUE O.....ORANGE W.....WHITE
Y.....YELLOW

ELECTRICAL WIRING DIAGRAM

5.0 TON GAS/ELECTRIC
W/ INTEGRATED FURNACE CONTROL
W/ CONSTANT TORQUE BLOWER MOTOR
W/ 2-STAGE COMPRESSOR
208/230V, 3-PHASE

APPROVED: [Signature] CHECKED: [Signature] ORIGINAL RELEASE NO. R-1062S001
DATE: 05-07-14
MODELER: ZJW

PART NO.: 90-23626-27 REV: 00

COMPONENT CODES

BR BLOWER RELAY
CC COMPRESSOR CONTACTOR
CCH CRANKCASE HEATER
COMP COMPRESSOR
CT CONTROL TRANSFORMER
FLMS FLAME SENSOR
GND GROUND
GVC GAS VALVE
HPC HIGH PRESSURE CONTROL
IDM INDOOR BLOWER MOTOR
IDW INDUCED DRAFT MOTOR
IFC INTEGRATED FURNACE CONTROL
LAC LOW AMBIENT COOLING CONTROL

LC LIMIT CONTROL
LPC LOW PRESSURE CONTROL
MRLC MAN. RESET LIMIT CONTROL
NPC NEG. PRESSURE CONTROL
OBD ON BOARD DIAGNOSTICS
OFM OUTDOOR FAN MOTOR
OPT OPTIONAL
PL PLUG
RC RUN CAPACITOR
SC SPARK CAPACITOR
SE START ELECTRODE
SR START RELAY
WIRE NUT

- NOTES**
1. MAIN UNIT TRANSFORMER PRIMARY LEADS: RED=COMMON BLUE=208 V BLACK=230 V INTERCHANGE BLACK & BLUE LEADS FOR 208 V TRANSFORMER OPERATION.
 2. MOTORS & COMPRESSOR THERMALLY PROTECTED. CONNECTORS SUITABLE FOR USE WITH COPPER CONDUCTORS ONLY. WIRING IN GROUNDED RAINLIGHT CONDUIT TO GROUND WITH FUSED DISCONNECT.
 3. LOW VOLTAGE CIRCUIT IS N.E.C. CLASS 2 WITH HERTZ SUPPLIED.
 4. REPLACEMENT FUSES MUST BE SAME TYPE & SIZE AS ORIGINAL.

- WIRING INFORMATION**
- LINE VOLTAGE
 - FACTORY STANDARD
 - FACTORY OPTION
 - FIELD INSTALLED
 - LOW VOLTAGE
 - FACTORY STANDARD
 - FIELD INSTALLED
 - REPLACEMENT WIRE SIZE AND TYPE MUST BE THE SAME SIZE AND TYPE OF INSULATION AS ORIGINAL (105C. MIN.)
 - WARNING
 - CABINET MUST BE PERMANENTLY GROUNDED AND CONFORM TO I.E.C. N.E.C. C.E.C. AND NATIONAL WIRING REGULATIONS. AND LOCAL CODES AS APPLICABLE

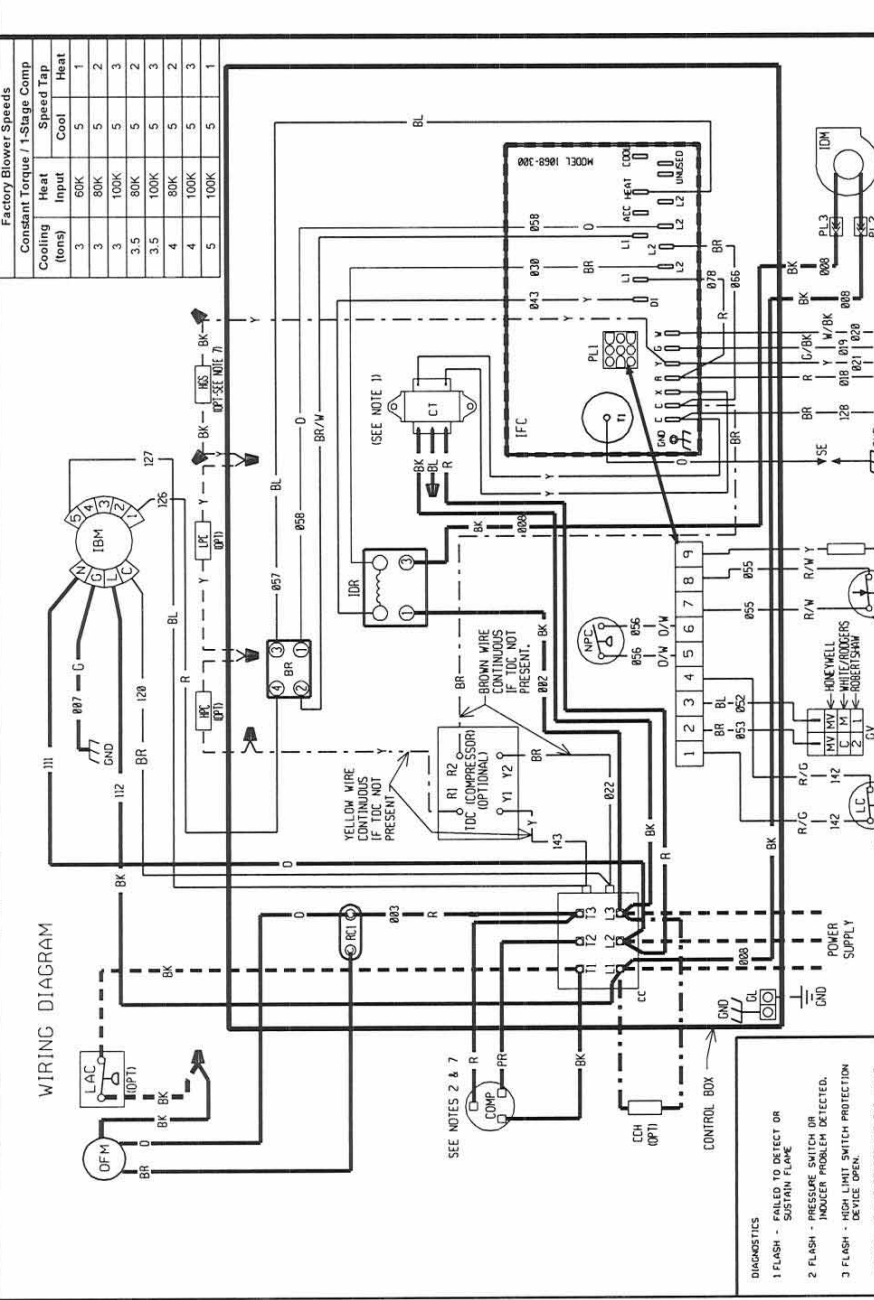
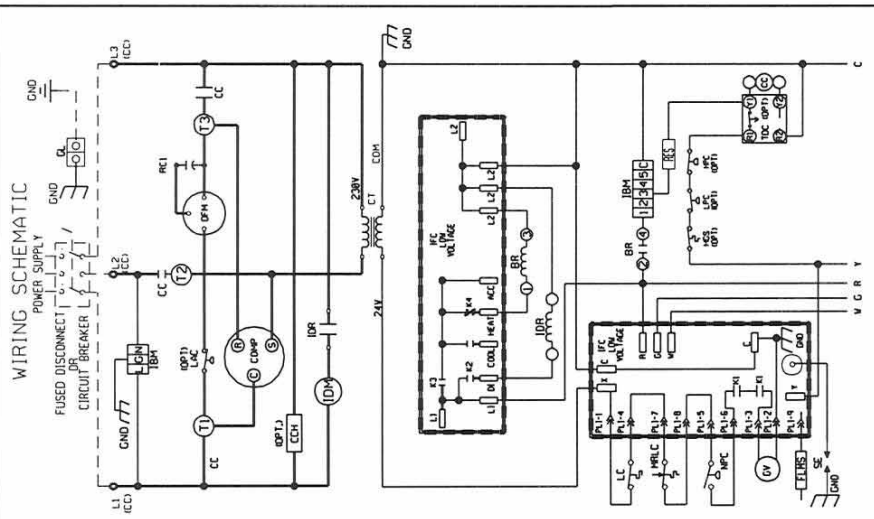


Air

NO REVISION TO DESIGN, MATERIAL, TOOLING, OR PROCESS IS ACCEPTABLE WITHOUT PRIOR APPROVAL FROM RHEEM THROUGH AN AUTHORIZED CHANGE ORDER. THE REVISIONS TO THIS DRAWING ARE THE RESPONSIBILITY OF THE PURCHASING DEPARTMENT IN WRITING OF ANY CHANGES AFFECTING PRODUCT QUALITY, PERFORMANCE, RELIABILITY, PACKAGING, DELIVERY OR WORKMANSHIP. ANY DOCUMENTS REFERRED TO ON THIS DRAWING ARE INCLUDED IN THE SPECIFICATIONS FOR THIS COMPONENT.

PRINTING INSTRUCTIONS: MAKE EXACTLY 8.0 IN X 10.0 IN. WHITE BACKGROUND WITH BLACK PRINTING

MATERIAL: PRESSURE SENSITIVE, ADHESIVE BACKED LABEL



WIRE COLOR CODE

BK.....BLACK G.....GREEN PR.....PURPLE
BR.....BROWN GR.....GRAY R.....RED
BL.....BLUE O.....ORANGE W.....WHITE
Y.....YELLOW

ELECTRICAL WIRING DIAGRAM

3.0 - 5.0 TON SINGLE STAGE GAS/ELECTRIC
W/ INTEGRATED FURNACE CONTROL
W/ CONSTANT TORQUE BLOWER MOTOR
460V, 3-PHASE

APPROVED: [Signature] CHECKED: [Signature] ORIGINAL RELEASE NO.:
MODELED: ZJW DATE: 05-08-14 R-1059S015
BY: PART NO.: 90-23626-28 REV: 00

COMPONENT CODES

LAC LOW AMBIENT COOLING CONTROL
LC LIMIT CONTROL
LPC LOW PRESSURE CONTROL
MRLC M.N. RESET LIMIT CONTROL
NPC NEG. PRESSURE CONTROL
OFM OUTDOOR FAN MOTOR
OPT OPTIONAL
PLC PLUG
RC RUN CAPACITOR
RES RESISTOR
SE SPARK ELECTRODE
TDC TIME DELAY CONTROL
WIR NUT

BR BLDWR RELAY
CC COMPRESSOR CONTACTOR
CCH CRANKCASE HEATER
COMP COMPRESSOR
CT CONTROL TRANSFORMER
FLMS FLAME SENSOR
GND GROUND
GL GROUND LUG
GV GAS VALVE
HPC HIGH PRESSURE CONTROL
IBM INDOOR BLOWER MOTOR
IDR INDOOR DRAFT RELAY
IFC INTEGRATED FURNACE CONTROL
HGS HOT GAS SENSOR

- NOTES**
- CONTROL TRANSFORMER PRIMARY LEADS: BLUE - COMMON BK/RD - 460V 60 HZ. / 380V 50 HZ. RED - 575V, 60 HZ. / 415V 50 HZ.
 - MOTORS & COMPRESSOR THERMALLY PROTECTED. CONNECTORS SUITABLE FOR USE WITH COPPER CONDUCTORS ONLY.
 - CONNECT FIELD WIRING IN GROUNDED RAINLIGHT CONDUIT TO 60 HZ FUSED DISCONNECT.
 - LOW VOLTAGE CIRCUIT IS N.E.C. CLASS 2 WITH A CLASS 2 TRANSFORMER 24 VOLT, 50/60 HERTZ SUPPLIED.
 - REPLACEMENT FUSES MUST BE SAME TYPE & SIZE AS ORIGINAL.
 - COMPRESSOR PROTECTED UNDER NATIONAL WIRING REGULATIONS, AND LOCAL CODES AS APPLICABLE.

- WIRING INFORMATION**
- LINE VOLTAGE
-FACTORY STANDARD
-FACTORY OPTION
-FIELD INSTALLED
- LOW VOLTAGE
-FACTORY STANDARD
-FIELD INSTALLED
- REPLACEMENT WIRE MUST BE THE SAME SIZE AND TYPE OF INSULATION AS ORIGINAL (100C. MIN.)
- WARNING
-CABINET MUST BE PERMANENTLY GROUNDED
-ALL ELECTRICAL CONNECTIONS MUST BE MADE IN ACCORDANCE WITH NATIONAL WIRING REGULATIONS, AND LOCAL CODES AS APPLICABLE

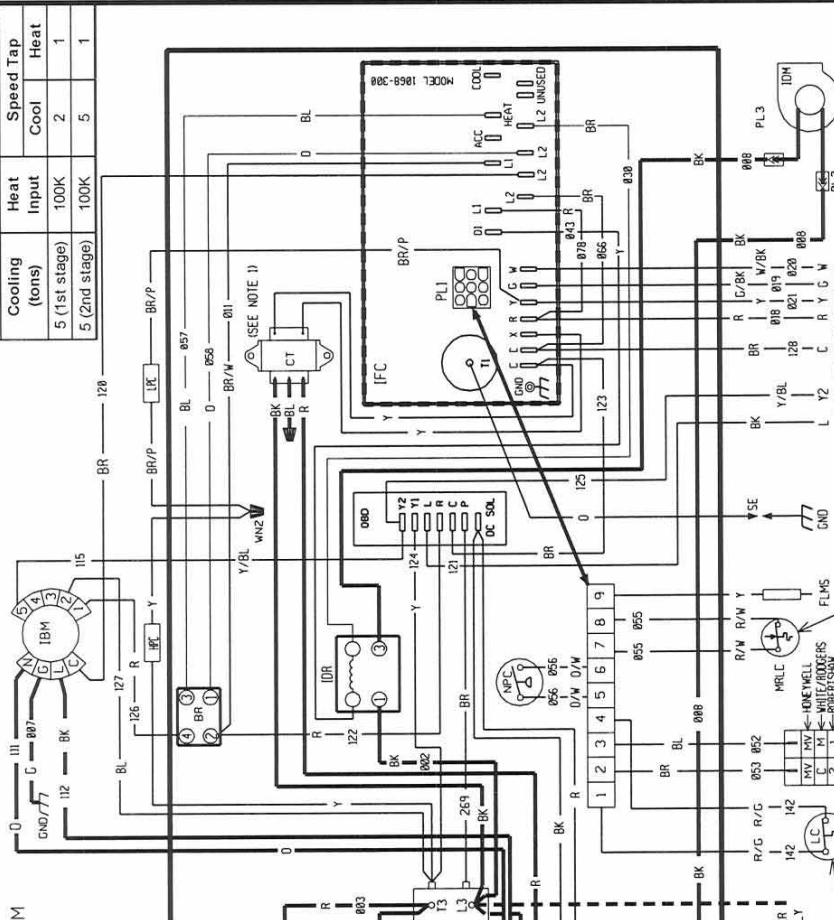
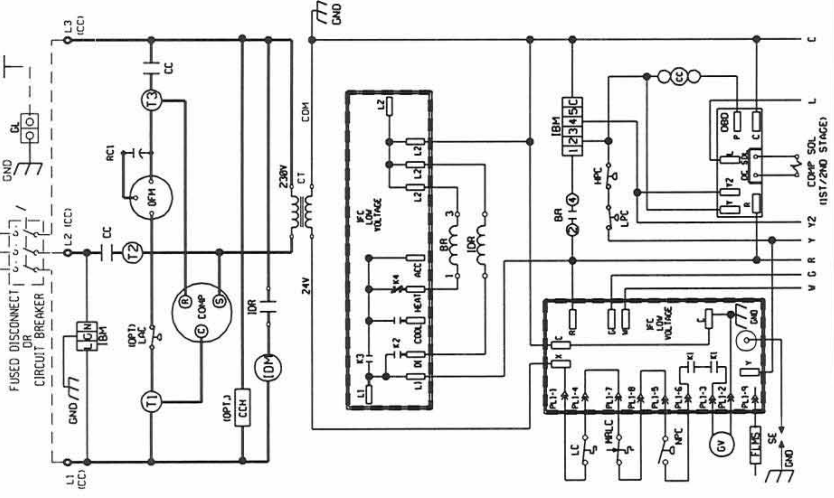
PRINTING INSTRUCTIONS: MAKE EXACTLY 8.0 IN X 10.0 IN. WHITE BACKGROUND WITH BLACK PRINTING
MATERIAL: PRESSURE SENSITIVE, ADHESIVE BACKED LABEL

NO REVISION TO DESIGN, MATERIAL, TOOLING OR PROCESS IS ACCEPTABLE UNLESS SPECIFICALLY NOTED OTHERWISE. ANY CHANGE NOTICE, A REVISED ENGINEERING SPECIFICATION AND A RESAMPLING OF PARTS. THE SUPPLIER IS RESPONSIBLE FOR NOTIFYING RHEEM R & D AND PURCHASING DEPARTMENTS IN WRITING OF ANY CHANGES AFFECTING PRODUCT QUALITY, PERFORMANCE, RELIABILITY, PACKAGING, DELIVERY OR WORKMANSHIP. ANY DOCUMENTS REFERRED TO ON THIS DRAWING ARE INCLUDED IN THE SPECIFICATIONS FOR THIS COMPONENT.

Factory Blower Speeds

Constant Torque / 2-Stage Comp	Speed Tap
Cooling	Heat
Heat Input	Cool
100K	Heat
5 (1st stage)	2
5 (2nd stage)	5
100K	1
100K	1

WIRING SCHEMATIC



WIRE COLOR CODE

BK.....BLACK	G.....GREEN	PR.....PURPLE
BR.....BROWN	GY.....GRAY	R.....RED
BL.....BLUE	O.....ORANGE	W.....WHITE
		Y.....YELLOW

ELECTRICAL WIRING DIAGRAM

5.0 TON GAS/ELECTRIC
W/ INTEGRATED FURNACE CONTROL
W/ CONSTANT TORQUE BLOWER MOTOR
W/ 2-STAGE COMPRESSOR
460V, 3-PHASE

COMPONENT CODES

BR	BLOWER RELAY	LAC	LOW AMBIENT COOLING CONTROL
CC	COMPRESSOR CONTACTOR	LC	LIMIT CONTROL
CCH	CRANKCASE HEATER	LPC	LOW PRESSURE CONTROL
CDMP	COMPRESSOR MOTOR	MRLC	MAN. RESET LIMIT CONTROL
CT	CONTROL TRANSFORMER	NPC	NEG. PRESSURE CONTROL
FLMS	FLAME SENSOR	OBD	ON BOARD DIAGNOSTICS
GL	GROUND LUG	OPM	OPTIONAL OUTDOOR FAN MOTOR
GND	GROUND	OPT	OPTIONAL PLUG
GV	GAS VALVE	PL	RUN CAPACITOR
HPC	HIGH PRESSURE CONTROL	RC	START RELAY
IBM	INDOOR BLOWER MOTOR	SC	SPARK ELECTRODE
IDM	INDUCED DRAFT MOTOR	SR	START RELAY
IDR	INDUCED DRAFT RELAY		
IFC	INTEGRATED FURNACE CONTROL		

NOTES

- CONTROL TRANSFORMER PRIMARY LEADS: BLUE - COMMON, RED - 575V, 60 HZ. / 415V 50 HZ.
- COMPRESSOR MOTOR THERMALLY PROTECTED. ALL 3 PHASE MODELS ARE PROTECTED UNDER PRIMARY SINGLE PHASE CONDITIONS.
- CONNECTORS SUITABLE FOR USE WITH COPPER CONDUCTORS ONLY.
- CONNECT FIELD WIRING IN GROUNDED RAIN/TIGHT CONDUIT TO 60 HZ FUSED DISCONNECT.
- LOW VOLTAGE CIRCUIT IS N.E.C. CLASS 2 WITH A CLASS 2 TRANSFORMER 24 VOLT, 50/60 HERTZ SUPPLIED.
- REPLACEMENT FUSES MUST BE SAME TYPE & SIZE AS ORIGINAL.

WIRING INFORMATION

LINE VOLTAGE
-FACTORY STANDARD
-FACTORY OPTION
-FIELD INSTALLED

LOW VOLTAGE
-FACTORY STANDARD
-FIELD INSTALLED

REPLACEMENT WIRE
-FIELD WIRE SIZE AND TYPE
-FIELD WIRE SIZE AND TYPE
OF INSULATION AS ORIGINAL (105C, MN)

WARNING: CABINET MUST BE PERMANENTLY GROUNDED FOR PROTECTION TO LOCAL N.E.C. AND NATIONAL WIRING REGULATIONS, AND LOCAL CODES AS APPLICABLE.

DIAGNOSTICS

- FLASH - FAILED TO DETECT OR INDICER SWITCH OR INDICER PROBLEM DETECTED.
- FLASH - HIGH LIMIT SWITCH PROTECTION
- FLASH - FLAME SENSED AND GAS VALVE OPEN
- FLASH - FLAME SENSED OR FLAME SENSED AND NO "R" SIGNAL.
- FLASH - FLAME MOLT OUT SWITCH OPEN

BEFORE PURCHASING THIS APPLIANCE, READ IMPORTANT ENERGY COST AND EFFICIENCY INFORMATION AVAILABLE FROM YOUR RETAILER.

GENERAL TERMS OF LIMITED WARRANTY*

Rheem will furnish a replacement for any part of this product which fails in normal use and service within the applicable periods stated, in accordance with the terms of the limited warranty.

Heat Exchanger
 Factory StandardTen (10) Years
 Stainless Steel/1-Phase & 3-Phase Models
 Commercial ApplicationTwenty (20) Years
 Stainless Steel/1-Phase Models
 Residential ApplicationLimited Lifetime

Conditional Parts (Registration Required)
 1 Phase, Residential ApplicationsTen (10) Years

Compressor
 1 Phase, Residential ApplicationsTen (10) Years
 1 & 3 Phase, Commercial ApplicationsFive (5) Years

Parts
 Commercial ApplicationsOne (1) Year

***For complete details of the Limited and Conditional Warranties, including applicable terms and conditions, contact your local contractor or the Manufacturer for a copy of the product warranty certificate.**



Air

Notes

RGEA13/14/15 Series





The new degree of comfort.™

In keeping with its policy of continuous progress and product improvement, Rheem reserves the right to make changes without notice.

Rheem Heating, Cooling & Water Heating • P.O. Box 17010
Fort Smith, Arkansas 72917 • www.rheem.com

Rheem Canada Ltd./Ltée • 125 Edgeware Road, Unit 1
Brampton, Ontario • L6Y 0P5



INTEGRATED HOME COMFORT

PRINTED IN U.S.A 08/14 QG FORM NO. R11-870