



The new degree of comfort.™

## Rheem Classic® Series Air Conditioners



### RA14 Series

Efficiencies up to 16 SEER/13 EER  
Nominal Sizes 1½ to 5 Ton [5.28 to 17.6 kW]  
Cooling Capacities 17.3 to 60.5 kBTU  
[5.7 to 17.7 kW]



*"Proper sizing and installation of equipment is critical to achieve optimal performance. Ask your Dealer for details or visit [www.energystar.gov](http://www.energystar.gov)."*

- New composite base pan – dampens sound, captures louver panels, eliminates corrosion and reduces number of fasteners needed
- Powder coat paint system – for a long lasting professional finish
- Scroll compressor – uses 70% fewer moving parts for higher efficiency and increased reliability
- Modern cabinet aesthetics – increased curb appeal with visually appealing design
- Curved louver panels – provide ultimate coil protection, enhance cabinet strength, and increased cabinet rigidity
- Optimized fan orifice – optimizes airflow and reduces unit sound
- Rust resistant screws – confirmed through 1500-hour salt spray testing
- PlusOne™ **Expanded Valve Space** – 3"-4"-5" service valve space – provides a minimum working area of 27-square inches for easier access
- PlusOne™ **Triple Service Access** – 15" wide, industry leading corner service access – makes repairs easier and faster. The two fastener removable corner allows optimal access to internal unit components. Individual louver panels come out once fastener is removed, for faster coil cleaning and easier cabinet reassembly
- Diagnostic service window with two-fastener opening – provides access to the high and low pressure.
- External gauge port access – allows easy connection of "low-loss" gauge ports
- Single-row condenser coil – makes unit lighter and allows thorough coil cleaning to maintain "out of the box" performance
- 35% fewer cabinet fasteners and fastener-free base – allow for faster access to internal components and hassle-free panel removal
- Service trays – hold fasteners or caps during service calls
- QR code – provides technical information on demand for faster service calls
- Fan motor harness with extra long wires allows unit top to be removed without disconnecting fan wire.



## TABLE OF CONTENTS

Standard Feature .....	3
Available SKUs .....	3
Features & Benefits .....	4-5
Model Number Identification .....	6-7
General Data/Electrical Data .....	8
Accessories .....	9
Weighted Sound Power .....	9
Thermostats .....	9
Unit Dimensions .....	10
Clearances .....	11
Wiring Diagrams .....	12
Application Guidelines .....	12
Refrigerant Line Size Information .....	13-14
Performance Data .....	15-39
Guide Specifications .....	40
Limited Warranty .....	41



## Standard Feature Table

Feature	STANDARD FEATURES						
	18	24	30	36	42	48	60
R-410a Refrigerant	√	√	√	√	√	√	√
Maximum SEER	16	16	16	16	16	15.5	15
Maximum EER	13	13	13	13	13	13	12.5
Scroll Compressor	√	√	√	√	√	√	√
Field Installed Filter Drier	√	√	√	√	√	√	√
Front Seating Service Valves	√	√	√	√	√	√	√
Internal Pressure Relief Valve	√	√	√	√	√	√	√
Internal Thermal Overload	√	√	√	√	√	√	√
Long Line capability	√	√	√	√	√	√	√
Low Ambient capability with Kit	√	√	√	√	√	√	√
3-4-5 Expanded Valve Space	√	√	√	√	√	√	√
Composite Basepan	√	√	√	√	√	√	√
2 Screw Control Box Access	√	√	√	√	√	√	√
15" Access to Internal Components	√	√	√	√	√	√	√
Quick release louver panel design	√	√	√	√	√	√	√
No fasteners to remove along bottom	√	√	√	√	√	√	√
Optimized Venturi Airflow	√	√	√	√	√	√	√
Single row condenser coil	√	√	√	√	√	√	√
Powder coated paint	√	√	√	√	√	√	√
Rust resistant screws	√	√	√	√	√	√	√
QR code	√	√	√	√	√	√	√
External gauge ports	√	√	√	√	√	√	√
Service trays	√	√	√	√	√	√	√

√ = Standard

## Available SKUs

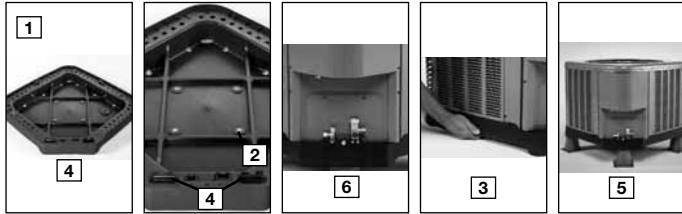
Available Models	Description
RA1418AJ1NA	Classic® Series 1 1/2 ton 14 SEER Single-Stage Air Conditioner-208/230/1/60
RA1424AJ1NA	Classic® Series 2 ton 14 SEER Single-Stage Air Conditioner-208/230/1/60
RA1430AJ1NA	Classic® Series 2 1/2 ton 14 SEER Single-Stage Air Conditioner-208/230/1/60
RA1436AJ1NA	Classic® Series 3 ton 14 SEER Single-Stage Air Conditioner-208/230/1/60
RA1442AJ1NA	Classic® Series 3 1/2 ton 14 SEER Single-Stage Air Conditioner-208/230/1/60
RA1448AJ1NA	Classic® Series 4 ton 14 SEER Single-Stage Air Conditioner-208/230/1/60
RA1460AJ1NA	Classic® Series 5 ton 14 SEER Single-Stage Air Conditioner-208/230/1/60
RA1418AJ1NB	Classic® Series 1 1/2 ton 14 SEER Single-Stage Air Conditioner w/ High/Low Pressure-208/230/1/60
RA1424AJ1NB	Classic® Series 2 ton 14 SEER Single-Stage Air Conditioner w/ High/Low Pressure-208/230/1/60
RA1430AJ1NB	Classic® Series 2 1/2 ton 14 SEER Single-Stage Air Conditioner w/ High/Low Pressure-208/230/1/60
RA1436AJ1NB	Classic® Series 3 ton 14 SEER Single-Stage Air Conditioner w/ High/Low Pressure-208/230/1/60
RA1442AJ1NB	Classic® Series 3 1/2 ton 14 SEER Single-Stage Air Conditioner w/ High/Low Pressure-208/230/1/60
RA1448AJ1NB	Classic® Series 4 ton 14 SEER Single-Stage Air Conditioner w/ High/Low Pressure-208/230/1/60
RA1460AJ1NB	Classic® Series 5 ton 14 SEER Single-Stage Air Conditioner w/ High/Low Pressure-208/230/1/60
RA1436AC1NB	Classic® Series 3 ton 14 SEER Single-Stage Air Conditioner w/ High/Low Pressure-208/230/3/60
RA1442AC1NB	Classic® Series 3 1/2 ton 14 SEER Single-Stage Air Conditioner w/ High/Low Pressure-208/230/3/60
RA1448AC1NB	Classic® Series 4 ton 14 SEER Single-Stage Air Conditioner w/ High/Low Pressure-208/230/3/60
RA1460AC1NB	Classic® Series 5 ton 14 SEER Single-Stage Air Conditioner w/ High/Low Pressure-208/230/3/60
RA1436AD1NB	Classic® Series 3 ton 14 SEER Single-Stage Air Conditioner w/ High/Low Pressure-460/3/60
RA1442AD1NB	Classic® Series 3 1/2 ton 14 SEER Single-Stage Air Conditioner w/ High/Low Pressure-460/3/60
RA1448AD1NB	Classic® Series 4 ton 14 SEER Single-Stage Air Conditioner w/ High/Low Pressure-460/3/60
RA1460AD1NB	Classic® Series 5 ton 14 SEER Single-Stage Air Conditioner w/ High/Low Pressure-460/3/60



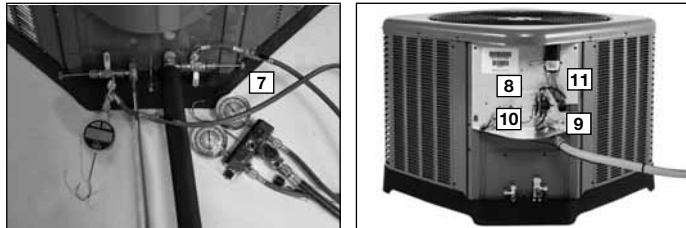
## Introduction to RA14 Air Conditioner

The RA14 is our 14 SEER air conditioner and is part of the Rheem air conditioner product line that extends from 13 to 20 SEER. This highly featured and reliable air conditioner is designed for years of reliable, efficient operation when matched with Rheem indoor aluminum evaporator coils and furnaces or air handler units with aluminum evaporators.

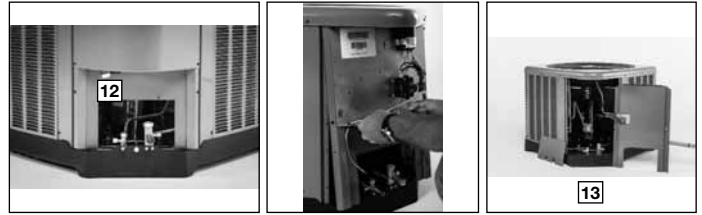
Our unique composite base (1) reduces sound emission, eliminates rattles, significantly reduces fasteners, eliminates corrosion and has integrated brass compressor attachment inserts (2). Furthermore it has incorporated into the design, water management features, means for hand placement (3) for unit maneuvering, screw trays (4) and inserts for lifting off unit pad. (5)



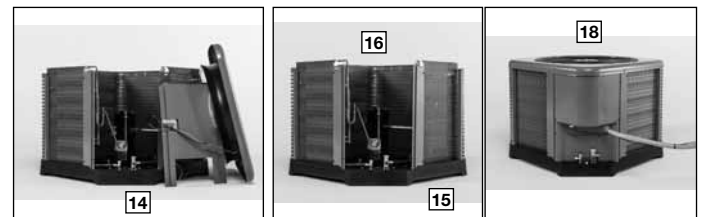
Service Valves (6) are rigidly mounted in the composite base with 3" between suction and discharge valves, 4" clearance below service valves and a minimum of 5" above the service valves, creating industry leading installation ease. The minimum 27 square-inches around the service valves allows ample room to remove service valve schrader prior to brazing, plenty of clearance for easy brazing of the suction and discharge lines to service valve outlets, easy access and hookup of low loss refrigerant gauges (7), and access to the service valve caps for opening. For applications with long-line lengths up to 250 feet total equivalent length, up to 200 feet condenser above evaporator, or up to 80 feet evaporator above condenser, the long-line instructions in the installation manual should be followed.



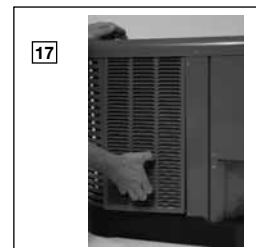
Controls are accessed from the corner of the unit by removing only two fasteners from the control access cover, revealing the industry's largest 15" wide and 14" tall control area (8). With all this room in the control area the high voltage electrical whip (9) can easily be inserted through the right size opening in the bottom of the control area. Routing it leads directly to contractor lugs for connection. The low voltage control wires (10) are easily connected to units low voltage wiring. If contactor or capacitor (11) needs to be replaced there is more than adequate space to make the repair. Furthermore, if high pressure and low pressure model was not purchased but is desired to be installed in the field, the service window (12) can be removed by removing two screws, to access the high and low side schrader fittings for easy field installation. The entire corner can be removed providing ultimate access to install the high and low pressure switch. (13)



If in the rare event, greater access is needed to internal components, such as the compressor, the entire corner of the unit can be removed along with the top cover assembly to have unprecedented access to interior of the unit (14). Extra wire length is incorporated into each outdoor fan and compressor so top cover and control panel can be positioned next to the unit. With minimal effort the plug can be removed from the compressor and the outdoor fan wires can be removed from the capacitor to allow even more uncluttered access to the interior of the unit (15). Outdoor coil heights range from as short as 22" to 32", aiding access to the compressor. Disassembly to this degree and complete reassembly only takes a first time service technician less than 10 minutes. (15)



All units utilize strong formed louver panels which provide industry leading coil protection. Louver removal for coil cleaning is accomplished by removing one screw and lifting the panel out of the composite base pan. (17) All RA14 units utilize single row coils (18) making cleaning easy and complete, restoring the performance of the air conditioner back to out of the box performance levels year after year.



The outdoor fan motor has sleeve bearings and is inherently protected. The motor is totally enclosed for maximum protection from weather, dust and corrosion. Access to the outdoor fan is made by removing four fasteners from the fan grille. The outdoor fan can be removed from the fan grille by removing 4 fasteners in the rare case outdoor fan motor fails.

Each cabinet has optimized composite (19) fan orifice assuring efficient and quiet airflow.



The entire cabinet has powder post paint (20) achieving 1000 hour salt spray rating, allowing the cabinet to retain its aesthetics throughout its life.



Scroll compressors with standard internal pressure relief and internal thermal overload are used on all capacities assuring longevity of high efficient and quiet operation for the life of the product.

Each unit is shipped with filter drier for field installation and will trap any moisture or dirt that could contaminate the refrigerant system.



All cabinets have industry leading structural strength due to the composite base pan (21), interlocking corner post (22), formed curved louver panels (23) and drawn top cover (24) making it the most durable cabinet on the market today.

Each RA14 capacity has undergone rigorous psychometric testing to assure performance ratings of capacity, SEER and EER per AHRI Standard 210/240 rating conditions. Also each unit bears the UL mark and each unit is certified to UL 1995 safety standards.



Each unit has undergone specific strain and modal testing to assure tubing (25) is outside the units natural frequency and that the suction and discharge lines connected to the compressor withstand any starting, steady state operation or shut down forces imposed by the compressor.

All units have been sound tested in sound chamber to AHRI 270 rating conditions, and A-weighted Sound Power Level tables produced, assuring units have acceptable noise qualities (see page 8). Each unit has been ran in cooling operation at 95°F and 82°F and sound ratings for the RA14 range from as low as 74 dBA to 77 dBA.

All units have been ship tested to assure units meet stringent “over the road” shipping conditions.

As manufactured all units in the RA14 family have cooling capability to 55 °F. Addition of low ambient control will allow the unit to operate down to 0°F. Factory testing is performed on each unit. All component parts meet well defined specification and continually go through receiving inspections. Each component installed on a unit is scanned, assuring correct component utilization for a given unit capacity and voltage. All condenser coils are leak tested with pressurization test to 550#’s and once installed and assembled, each units’ complete refrigerant system is helium leak tested. All units are fully charged from the factory for up to 15 feet of piping. All units are factory run tested. The RA14 has a 10-year conditional compressor and parts warranty (registration required).

## Optional Accessories (Refer to accessory chart for model #)

### Compressor Crankcase Heater

Protects against refrigerant migration that can occur during low ambient operation

### Compressor Sound Cover

- Reinforced vinyl compressor cover containing a 1½ inch thick batt of fiberglass insulation
- Open edges are sealed with a one-inch wide hook and loop fastening tape

### Compressor Hard Start Kit

- Single-phase units are equipped with a PSC compressor motor, this type of motor normally does not need a potential relay and start capacitor
- Kit may be required to increase the compressor starting torque, in conditions such as low voltage

### Low Ambient Kit

- Air conditioners operate satisfactorily in the cooling mode down to 55°F outdoor air temperature without any additional controls
- This Kit can be added in the field enabling unit to operate properly down to 0° in the cooling mode
- Crankcase heater and freeze-stat should be installed on compressors equipped with a low ambient kit

### 3"/6"/12"

- Gray high density polyethylene feet are available to raise unit off of mounting surface away from moisture

### Low Pressure

- Can be added in field enabling the unit to shut off compressor on loss of charge

NOTE: Unit can be purchased with high and low pressure installed at factory. (Refer to SKU list)

### High Pressure

- Can be added in field enabling unit to shut off compressor if unit loses outdoor fan operation.

NOTE: Unit can be purchased with high and low pressure installed at factory. (Refer to SKU list)

### Decorative Top

- Can be installed on fan grille



# Air Conditioners

R	A	14	24	A	J	1	N	A	*
Brand	Product Category	SEER	Capacity BTU/HR	Major Series*	Voltage	Type	Controls	Minor Series**	Option Code
Rheem	A - Air Conditioners	13 - 13 SEER 14 - 14 SEER 16 - 16 SEER 17 - 17 SEER 20 - 20 SEER	18 - 18,000 [5.28 kW] 24 - 24,000 [7.03 kW] 30 - 30,000 [8.79 kW] 36 - 36,000 [10.55 kW] 42 - 42,000 [12.31 kW] 48 - 48,000 [14.07 kW] 60 - 60,000 [17.58 kW]	A - 1st Design	J - 1ph, 208-230/60 C - 3ph, 208-230/60 D - 3ph, 460/60	1 - Single-stage 2 - Two-stage V - Inverter	C - Communicating N - Non-Communicating	A - 1st Design	N/A

# Heat Pumps (For Reference)

R	A	14	24	A	J	1	N	A	*
Brand	Product Category	SEER	Capacity BTU/HR	Major Series*	Voltage	Type	Controls	Minor Series**	Option Code
Rheem	P - Heat Pump	13 - 13 SEER 14 - 14 SEER 16 - 16 SEER 17 - 17 SEER 20 - 20 SEER	18 - 18,000 [5.28 kW] 24 - 24,000 [7.03 kW] 30 - 30,000 [8.79 kW] 36 - 36,000 [10.55 kW] 42 - 42,000 [12.31 kW] 48 - 48,000 [14.07 kW] 60 - 60,000 [17.58 kW]	A - 1st Design	J - 1ph, 208-230/60 C - 3ph, 208-230/60 D - 3ph, 460/60	1 - Single-stage 2 - Two-stage V - Inverter P - Piston	C - Communicating N - Non-Communicating	A - 1st Design	N/A

# Furnace Coils (For Reference)

R	C	F	17	24	S	T	A	M	C	A	*
Brand	Product Category	Type	Width	Capacity BTU/HR	Efficiency	Metering Device	Major Series*	Orientation	Casing	Minor Series**	Option Code
Rheem	C - Evap Coil	F - Furn Coil H - Air-Handler Coil	14 - 14" 17 - 17.5" 21 - 21" 24 - 24.5"	24 - 24,000 [7.03 kW] 36 - 36,000 [10.55 kW] 48 - 48,000 [14.07 kW] 60 - 60,000 [17.58 kW]	S - Standard Eff. M - Mid Eff. H - High Eff.	T-TXV E-EEV P-Piston	A - 1st Design	M - Multipoise V - Vertical only/ convertible H - Ded. Horizontal only	C - Cased U - Uncased	A - 1st Design	N/A

[ ] Designates Metric Conversions



## 90%+ AFUE Gas Furnaces (For Reference)

<u>R</u>	<u>96</u>	<u>V</u>	<u>A</u>	<u>70</u>	<u>2</u>	<u>3</u>	<u>17</u>	<u>M</u>	<u>S</u>	<u>A</u>
Brand	Series	Motor	Major Rev	Input BTU/HR	Stages	Air Flow	Cabinet Width	Configuration	Nox	Minor Rev
Rheem	90 - 90 AFUE	V - Variable speed	A - 1st Design	040 - 42,000 [12.31 kW]	1 - Single-stage	3 - up to 3 ton	14 - 14"	M - Multi	X - Low Nox	A - 1st Design
	92 - 92 AFUE	T - Constant Torque (X-13)		060 - 56,000 [16.41 kW]	2 - Two-stage	5 - 3 1/2 up to 5 ton	17 - 17.5"		S - Standard	
	95 - 95 AFUE			070 - 70,000 [20.51 kW]	M - Modulating		21 - 21"			
	96 - 96 AFUE			085 - 84,000 [24.62 kW]			24 - 24.5"			
	97 - 97 AFUE	P - PSC		100 - 98,000 [28.72 kW]						
				115 - 112,000 [32.82 kW]						

## 80% AFUE Gas Furnaces (For Reference)

<u>R</u>	<u>80</u>	<u>2</u>	<u>V</u>	<u>075</u>	<u>3</u>	<u>17</u>	<u>M</u>	<u>S</u>	<u>A</u>	
Brand	Series	Stages	Motor	Major Rev	Input BTU/HR	Air Flow	Cabinet Width	Configuration	Nox	Minor Rev
Rheem	80 - 80+ AFUE	1 - Single-stage	V - Variable speed	A - 1st Design	050 - 50,000 [15 kW]	3 - up to 3 ton	14 - 14"	M - Multi	X - Low Nox	A - 1st Design
		2 - Two-stage	T - Constant Torque (X-13)		075 - 75,000 [22 kW]	4 - 2 1/2 to 4 ton	17 - 17.5"	D - Down	S - Standard	
			P - PSC premium		100 - 100,000 [29 kW]	5 - 3 1/2 up to 5 ton	21 - 21"	Z - Down & zero clearance		
			S - PSC standard		125 - 125,000 [37 kW]		24 - 24.5"			
					150 - 150,000 [44 kW]					

## Air Handlers (For Reference)

<u>R</u>	<u>H</u>	<u>1</u>	<u>I</u>	<u>36</u>	<u>17</u>	<u>S</u>	<u>T</u>	<u>N</u>	<u>A</u>	<u>*</u>			
Brand	Product Category	Stages of Airflow	Motor Type	Capacity BTU/HR	Width	Coil Size	Metering Device	Major Series*	Controls	Voltage	Minor Series**	Factory Heat Cap	Option Code
Rheem	H - Air Handler	1 - Single-Stage	V - Variable Speed	24 - 24,000 [7.03 kW]	14 - 14"	S - Standard Eff.	T - TEV	A - 1st Design	C - Communicating	A - 1ph, 115/60	A - 1st Design	00 - no	*TBD
		2 - Two-Stage	T - Constant Torque	36 - 36,000 [10.55 kW]	17 - 17.5"	M - Mid Eff.	E - EEV		N - Non-comm	J - 1ph, 208-240/60		factory heat	with option
		M - Modulating	P - PSC	48 - 48,000 [14.07 kW]	21 - 21"	H - High Eff.	P - Piston		D - 3ph, 480/60	D - 3ph, 480/60		code	

[ ] Designates Metric Conversions



## Physical Data

PHYSICAL DATA							
Model No.	RA1418A	RA1424A	RA1430A	RA1436A	RA1442A	RA1448A	RA1460A
<b>Nominal Tonnage</b>	1.5	2.0	2.5	3.0	3.5	4.0	5.0
<b>Valve Connections</b>							
Liquid Line O.D. – in.	3/8	3/8	3/8	3/8	3/8	3/8	3/8
Suction Line O.D. – in.	3/4	3/4	3/4	3/4	7/8	7/8	7/8
<b>Refrigerant (R410A) furnished oz.<sup>1</sup></b>	68	72	93	112	119	135	162
<b>Compressor Type</b>	Scroll						
<b>Outdoor Coil</b>							
Net face area – Outer Coil	9.1	11.1	12.1	14.8	16.1	18.9	21.5
Net face area – Inner Coil	—	—	—	—	—	—	—
Tube diameter – in.	3/8	3/8	3/8	3/8	3/8	3/8	3/8
Number of rows	1	1	1	1	1	1	1
Fins per inch	20	20	20	20	20	20	20
<b>Outdoor Fan</b>							
Diameter – in.	20	20	20	24	26	26	26
Number of blades	2	2	2	3	2	2	3
Motor hp	1/10	1/8	1/5	1/6	1/5	1/10	1/5
CFM	2225	2505	2605	3105	4265	4265	4140
RPM	1075	1070	1075	850	820	820	850
watts	130	163	142	173	240	236	255
<b>Shipping weight – lbs.</b>	125	125	148	157	199	200	210
<b>Operating weight – lbs.</b>	122	125	141	150	192	192	202

## Electrical Data

<b>Line Voltage Data (Volts-Phase-Hz)</b>	<b>208/230-1-60</b>	<b>208/230-1-60</b>	<b>208/230-1-60</b>	<b>208/230-1-60</b>	<b>208/230-1-60</b>	<b>208/230-1-60</b>	<b>208/230-1-60</b>
<b>Maximum overcurrent protection (amps)<sup>2</sup></b>	20	25	25	30	40	45	50
<b>Minimum circuit ampacity<sup>3</sup></b>	13	15	17	19	24	26	40
<b>Compressor</b>							
Rated load amps	9.7	11.2	12.8	14.1	17.9	19.9	23.7
Locked rotor amps	46	60.8	64	77	112	109	152.5
<b>Condenser Fan Motor</b>							
Full load amps	0.6	0.7	0.7	0.6	1	1	1
Locked rotor amps	1.1	1.2	1.3	1.5	2.3	2.3	2.3
<b>Line Voltage Data (Volts-Phase-Hz)</b>	—	—	—	<b>208/230-3-60</b>	<b>208/230-3-61</b>	<b>208/230-3-62</b>	<b>208/230-3-63</b>
Maximum overcurrent protection (amps) <sup>2</sup>	—	—	—	20	30	30	35
Minimum circuit ampacity <sup>3</sup>	—	—	—	12	18	18	21
<b>Compressor</b>							
Rated load amps	—	—	—	8	13.2	13.1	15.9
Locked rotor amps	—	—	—	71	88	110	110
<b>Condenser Fan Motor</b>							
Full load amps	—	—	—	0.6	1	1	1
Locked rotor amps	—	—	—	6.5	2.3	2.3	2.3
<b>Line Voltage Data (Volts-Phase-Hz)</b>	—	—	—	<b>480-3-60</b>	<b>480-3-60</b>	<b>480-3-60</b>	<b>480-3-60</b>
Maximum overcurrent protection (amps) <sup>2</sup>	—	—	—	TBD	TBD	TBD	TBD
<sup>3</sup> Minimum circuit ampacity	—	—	—	TBD	TBD	TBD	TBD
<b>Compressor</b>							
Rated load amps	—	—	—	TBD	TBD	TBD	TBD
Locked rotor amps	—	—	—	TBD	TBD	TBD	TBD
<b>Condenser Fan Motor</b>							
Full load amps	—	—	—	TBD	TBD	TBD	TBD
Locked rotor amps	—	—	—	TBD	TBD	TBD	TBD

<sup>1</sup>Refrigerant charge sufficient for 15 ft. length of refrigerant lines. For longer line set requirements see the installation instructions for information about set length and additional refrigerant charge required.

<sup>2</sup>HACR type circuit breaker or fuse.

<sup>3</sup>Refer to National Electrical Code manual to determine wire, fuse and disconnect size requirements.



## Accessories

Model No.	RA1418	RA1424	RA1430	RA1436	RA1442	RA1448	RA1460
Compressor crankcase heater*	44-17402-44	44-17402-44	44-17402-44	44-17402-44	44-17402-45	44-17402-45	44-17402-45
Low ambient control	RXAD-A08	RXAD-A08	RXAD-A08	RXAD-A08	RXAD-A08	RXAD-A08	RXAD-A08
Compressor sound cover	68-23427-26	68-23427-26	68-23427-26	68-23427-26	68-23427-25	68-23427-25	68-23427-25
Compressor hard start kit	SK-A1	SK-A1	SK-A1	SK-A1	SK-A1	SK-A1	SK-A1
Low pressure control	RXAC-A07	RXAC-A07	RXAC-A07	RXAC-A07	RXAC-A07	RXAC-A07	RXAC-A07
High pressure control	RXAB-A07	RXAB-A07	RXAB-A07	RXAB-A07	RXAB-A07	RXAB-A07	RXAB-A07
Liquid Line Solenoid (24 VAC, 50/60 Hz)	Solenoid Valve	200RD2T3TVLC	200RD2T3TVLC	200RD2T3TVLC	200RD2T3TVLC	200RD2T3TVLC	200RD3T3TVLC
	Solenoid Coil	61-AMG24V	61-AMG24V	61-AMG24V	61-AMG24V	61-AMG24V	61-AMG24V
Liquid Line Solenoid (120/240 VAC, 50/60 Hz)	Solenoid Valve	200RD2T3TVLC	200RD2T3TVLC	200RD2T3TVLC	200RD2T3TVLC	200RD2T3TVLC	200RD3T3TVLC
	Solenoid Coil	61-AMG120/240V	61-AMG120/240V	61-AMG120/240V	61-AMG120/240V	61-AMG120/240V	61-AMG120/240V
Classic Top Cap w/Label	91-101123-21	91-101123-21	91-101123-21	91-101123-21	91-101123-21	91-101123-21	91-101123-21

\*Crankcase Heater recommended with Low Ambient Kit.

## Weighted Sound Power Level (dBA)

		A-WEIGHTED SOUND POWER LEVEL (dBA)					
Unit Size - Voltage, Series	Standard Rating (dBA)	TYPICAL OCTAVE BAND SPECTRUM (dBA without tone adjustment)					
		125	250	500	1000	2000	4000
RA1418A	76	52.9	61.1	65	65.7	62.7	58.1
RA1424A	75	52.6	59.3	65.3	65.7	62.4	57.9
RA1430A	74	48.8	57.5	63.5	64	61.9	56.1
RA1436A	76	51.6	57.5	64.3	67.6	64.9	58.6
RA1442A	76	54.9	61.5	65.3	66.3	62.8	59.5
RA1448A	76	52.3	59.1	66.7	65.7	62.4	59.3
RA1460A	75	53.4	59.1	65.9	66.9	62.8	58.7

NOTE: Tested in accordance with AHRI Standard 270-08 (not listed in AHRI)

## Thermostats



**200-Series \***  
Programmable



**300-Series \***  
Deluxe  
Programmable

**400-Series \***  
Special Applications/  
Programmable



**500-Series \***  
Communicating/  
Programmable

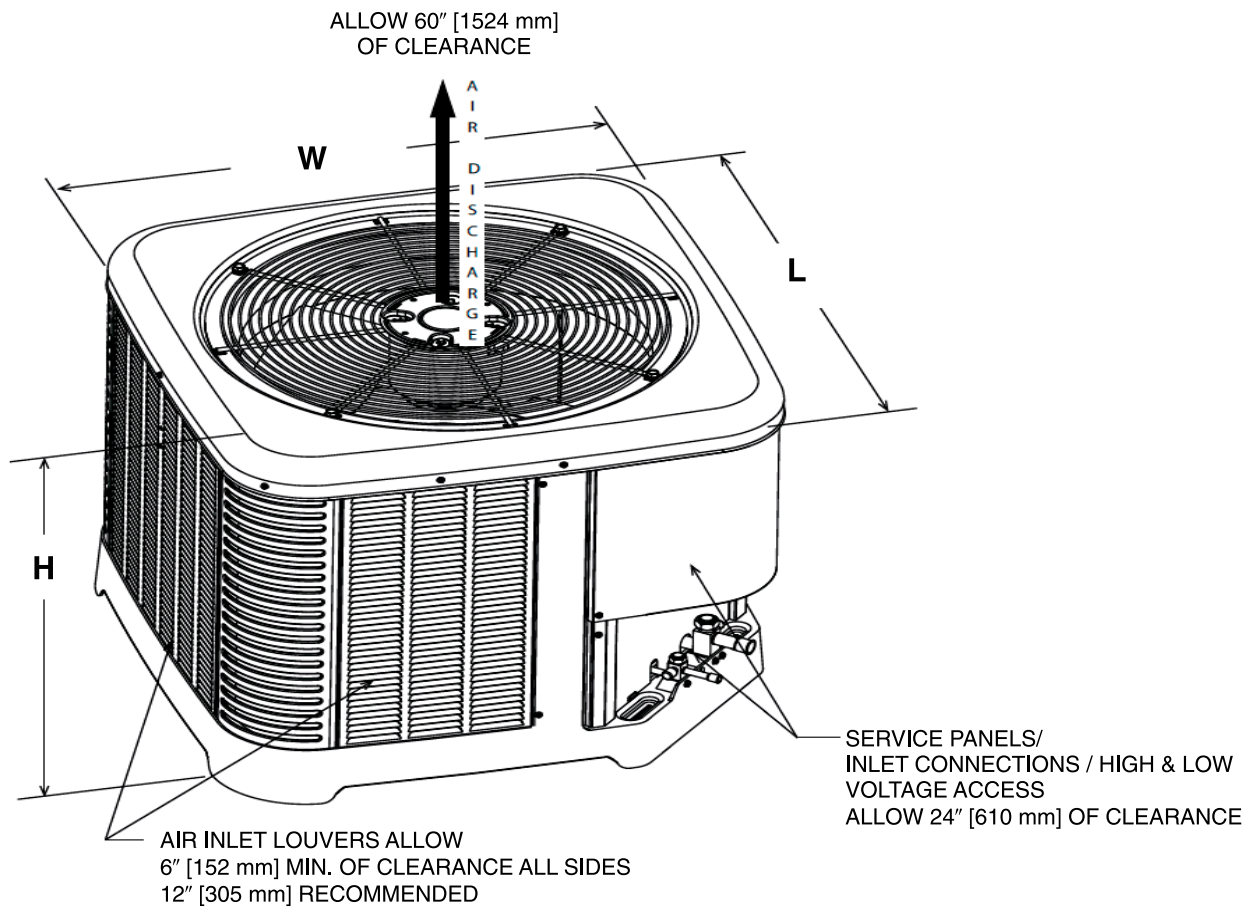
Brand	Descriptor (3 Characters)	Series (3 Characters)	System (2 Characters)	Type (2 Characters)
RHC	TST	213	UN	MS
RHC=Rheem	TST=Thermostat	200=Programmable 300=Deluxe Programmable 400=Special Applications/ Programmable 500=Communicating/ Programmable	GE=Gas/Electric UN=Universal (AC/HP/GE) MD=Modulating Furnace DF=Dual Fuel CM=Communicating	SS=Single-Stage MS=Multi-Stage

\* Photos are representative. Actual models may vary.

For detailed thermostat match-up information, see specification sheet form number T11-001.

## Unit Dimensions

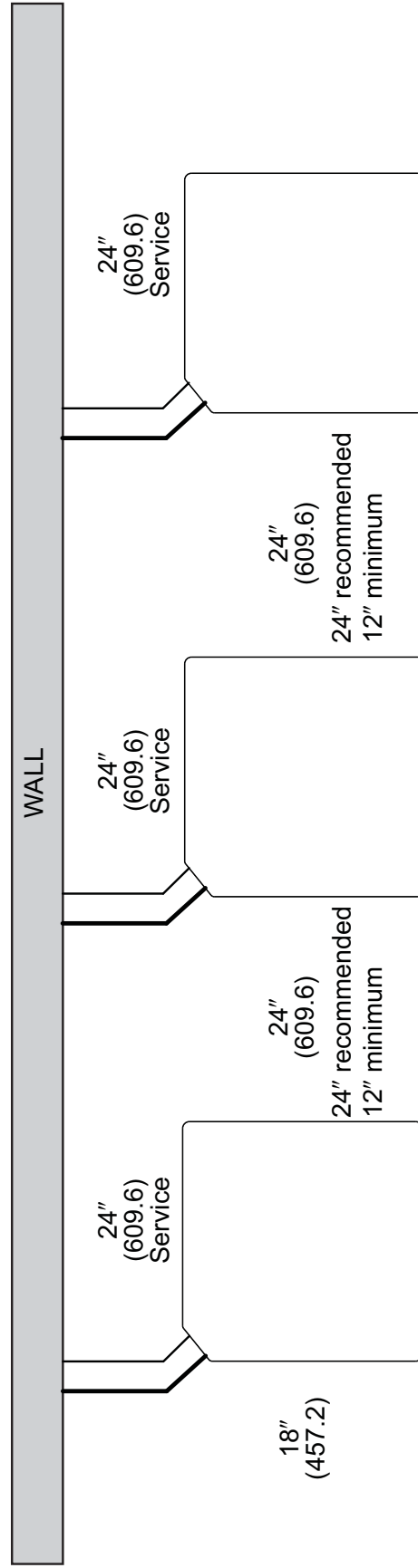
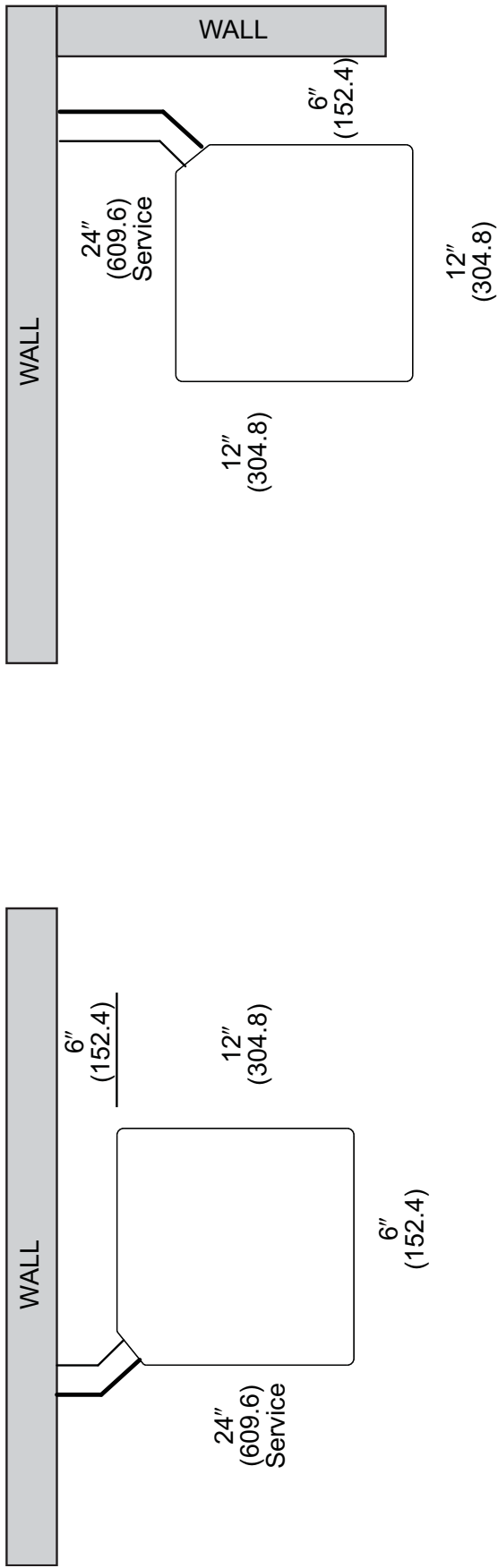
MODEL NO.	OPERATING						SHIPPING					
	H (Height)		L (Length)		W (Width)		H (Height)		L (Length)		W (Width)	
	INCHES	mm	INCHES	mm	INCHES	mm	INCHES	mm	INCHES	mm	INCHES	mm
RA1418	25	635	29.75	755	29.75	755	26.75	679	32.38	822	32.38	822
RA1424	25	635	29.75	755	29.75	755	26.75	679	32.38	822	32.38	822
RA1430	27	685	29.75	755	29.75	755	28.75	679	32.38	822	32.38	822
RA1436	27	685	33.75	857	33.75	857	28.75	730	36.38	986	36.38	986
RA1442	27	685	35.75	908	35.75	908	28.75	730	38.38	986	38.38	986
RA1448	31	787	35.75	908	35.75	908	32.75	730	38.38	986	38.38	986
RA1460	35	889	35.75	908	35.75	908	36.75	730	38.38	986	38.38	986



[ ] Designates Metric Conversions

ST-A1226-02-00

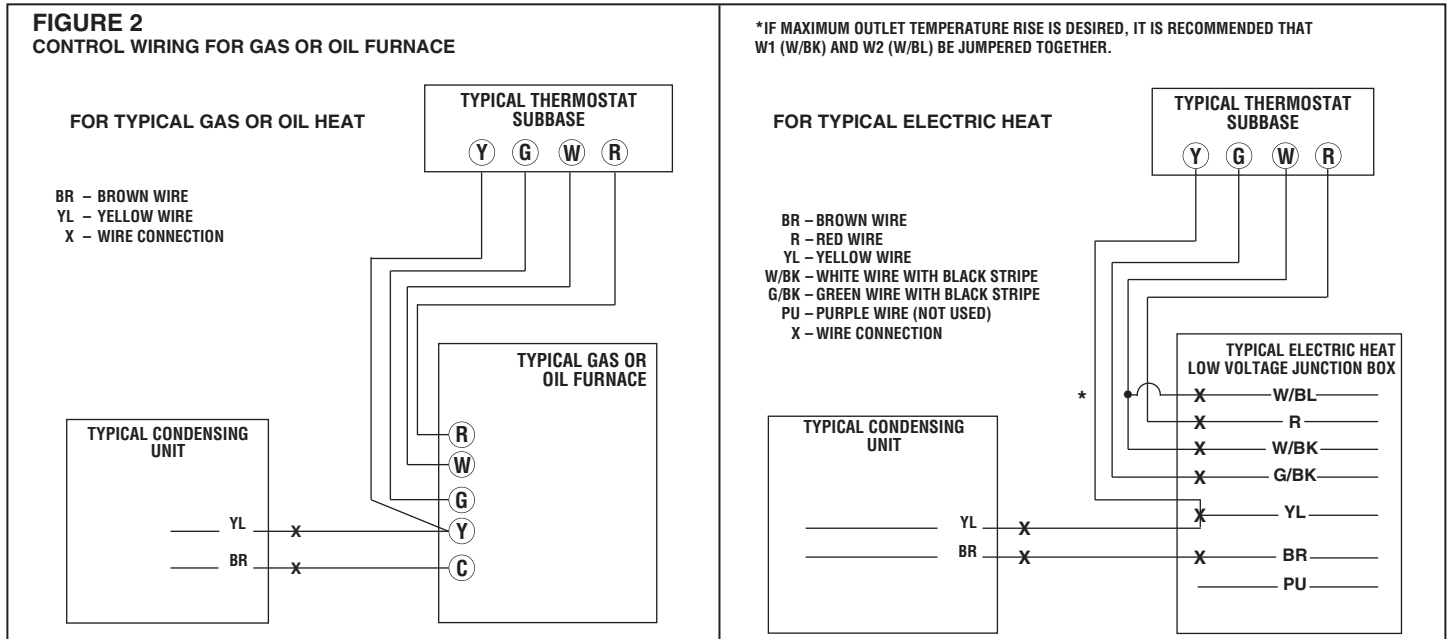
# CLEARANCES



**NOTE: NUMBERS IN ( ) = mm**

IMPORTANT: When installing multiple units in an alcove, roof well or partially enclosed area, ensure there is adequate ventilation to prevent re-circulation of discharge air.

## Control Wiring



## Application Guidelines

1. Intended for outdoor installation with free air inlet and outlet. Outdoor fan external static pressure available is less than 0.01 -in. wc.
2. Minimum outdoor operation air temperature for cooling mode without low-ambient operation accessory is 55°F (12.8°C).
3. Maximum outdoor operating air temperature is 125°F (51.7°C).
4. For reliable operation, unit should be level in all horizontal planes.
5. Use only copper wire for electric connections at unit. Aluminum and clad aluminum are not acceptable for the type of connector provided.
6. Do not apply capillary tube indoor coils to these units.
7. Factory – supplied filter drier must be installed.



Air

## Refrigerant Line Size Information

R-410A System Capacity Model	Liquid Line Size Connection Size (Inch I.D.) [mm]	Liquid Line Size (Inch O.D.) [mm]	Liquid Line Selection Chart Elevation (Above or Below) Indoor Coil Total Equivalent Length - Feet [m]															
			Maximum Vertical Separation - Feet [m]															
			25 [7.62]	50 [15.24]	75 [22.86]	100 [30.48]	125 [45.72]	150 [45.72]	175 [53.34]	200 [60.96]	225 [68.58]	250 [76.20]	275 [83.82]	300 [91.44]	N/R	N/R	N/R	
18	3/8" [9.53]	1/4 [6.35]	50 [15.24]	65 [19.81]	50 [15.24]	35 [10.67]	20 [6.1]	N/R	N/R	N/R	N/R	N/R	N/R	N/R	N/R	N/R	N/R	
		5/16 [7.94]	50 [15.24]	75 [22.86]	95 [28.96]	90 [27.43]	85 [25.91]	80 [24.38]	75 [22.86]	70 [21.34]	65 [19.81]	60 [18.29]	N/R	N/R	N/R	N/R	N/R	
		3/8 [9.53]	50 [15.24]	75 [22.86]	100 [30.48]	100 [30.48]	100 [30.48]	100 [30.48]	100 [30.48]	100 [30.48]	100 [30.48]	100 [30.48]	100 [30.48]	100 [30.48]	100 [30.48]	100 [30.48]	100 [30.48]	100 [30.48]
		7/16 [11.12]	50 [15.24]	75 [22.86]	100 [30.48]	105 [32]	105 [32]	105 [32]	105 [32]	105 [32]	105 [32]	105 [32]	105 [32]	105 [32]	105 [32]	105 [32]	105 [32]	105 [32]
		1/2 [12.71]	50 [15.24]	75 [22.86]	100 [30.48]	105 [32]	105 [32]	105 [32]	105 [32]	105 [32]	105 [32]	105 [32]	105 [32]	105 [32]	105 [32]	105 [32]	105 [32]	105 [32]
		1/4 [6.35]	50 [15.24]	30 [9.14]	N/R	N/R	N/R	N/R	N/R	N/R	N/R	N/R	N/R	N/R	N/R	N/R	N/R	N/R
24	3/8" [9.53]	5/16 [7.94]	50 [15.24]	75 [22.86]	80 [24.38]	75 [22.86]	70 [21.34]	60 [18.29]	55 [16.76]	50 [15.24]	40 [12.19]	35 [10.67]	30 [9.14]	N/R	N/R	N/R	N/R	
		3/8 [9.53]	50 [15.24]	75 [22.86]	100 [30.48]	95 [28.96]	95 [28.96]	90 [27.43]	90 [27.43]	85 [25.91]	85 [25.91]	80 [24.38]	80 [24.38]	80 [24.38]	80 [24.38]	80 [24.38]	80 [24.38]	
		7/16 [11.12]	50 [15.24]	75 [22.86]	100 [30.48]	100 [30.48]	100 [30.48]	100 [30.48]	100 [30.48]	100 [30.48]	100 [30.48]	100 [30.48]	100 [30.48]	100 [30.48]	100 [30.48]	100 [30.48]	100 [30.48]	100 [30.48]
		1/2 [12.71]	50 [15.24]	75 [22.86]	100 [30.48]	105 [32]	105 [32]	105 [32]	105 [32]	105 [32]	105 [32]	105 [32]	105 [32]	105 [32]	105 [32]	105 [32]	105 [32]	105 [32]
		1/4 [6.35]	25 [7.62]	N/R	N/R	N/R	N/R	N/R	N/R	N/R	N/R	N/R	N/R	N/R	N/R	N/R	N/R	N/R
		5/16 [7.94]	50 [15.24]	75 [22.86]	65 [19.81]	55 [16.76]	45 [13.72]	35 [10.67]	25 [7.62]	15 [4.57]	5 [1.52]	N/R	N/R	N/R	N/R	N/R	N/R	N/R
30	3/8" [9.53]	5/16 [7.94]	50 [15.24]	75 [22.86]	90 [27.43]	85 [25.91]	80 [24.38]	80 [24.38]	80 [24.38]	80 [24.38]	80 [24.38]	80 [24.38]	80 [24.38]	80 [24.38]	80 [24.38]	80 [24.38]	80 [24.38]	
		3/8 [9.53]	50 [15.24]	75 [22.86]	100 [30.48]	100 [30.48]	100 [30.48]	100 [30.48]	100 [30.48]	100 [30.48]	100 [30.48]	100 [30.48]	100 [30.48]	100 [30.48]	100 [30.48]	100 [30.48]	100 [30.48]	
		7/16 [11.12]	50 [15.24]	75 [22.86]	100 [30.48]	100 [30.48]	100 [30.48]	100 [30.48]	100 [30.48]	100 [30.48]	100 [30.48]	100 [30.48]	100 [30.48]	100 [30.48]	100 [30.48]	100 [30.48]	100 [30.48]	
		1/2 [12.71]	50 [15.24]	75 [22.86]	100 [30.48]	105 [32]	105 [32]	105 [32]	105 [32]	105 [32]	105 [32]	105 [32]	105 [32]	105 [32]	105 [32]	105 [32]	105 [32]	
		1/4 [6.35]	10 [3.05]	N/R	N/R	N/R	N/R	N/R	N/R	N/R	N/R	N/R	N/R	N/R	N/R	N/R	N/R	N/R
		5/16 [7.94]	50 [15.24]	65 [19.81]	55 [16.76]	45 [13.72]	30 [9.14]	20 [6.1]	10 [3.05]	N/R	N/R	N/R	N/R	N/R	N/R	N/R	N/R	N/R
36	3/8" [9.53]	5/16 [7.94]	50 [15.24]	75 [22.86]	85 [25.91]	80 [24.38]	80 [24.38]	80 [24.38]	80 [24.38]	80 [24.38]	80 [24.38]	80 [24.38]	80 [24.38]	80 [24.38]	80 [24.38]	80 [24.38]	80 [24.38]	
		3/8 [9.53]	50 [15.24]	75 [22.86]	100 [30.48]	95 [28.96]	95 [28.96]	90 [27.43]	90 [27.43]	85 [25.91]	85 [25.91]	85 [25.91]	85 [25.91]	85 [25.91]	85 [25.91]	85 [25.91]	85 [25.91]	
		7/16 [11.12]	50 [15.24]	75 [22.86]	100 [30.48]	100 [30.48]	100 [30.48]	100 [30.48]	100 [30.48]	100 [30.48]	100 [30.48]	100 [30.48]	100 [30.48]	100 [30.48]	100 [30.48]	100 [30.48]	100 [30.48]	
		1/2 [12.71]	50 [15.24]	75 [22.86]	100 [30.48]	105 [32]	105 [32]	105 [32]	105 [32]	105 [32]	105 [32]	105 [32]	105 [32]	105 [32]	105 [32]	105 [32]	105 [32]	
		1/4 [6.35]	15 [4.57]	N/R	N/R	N/R	N/R	N/R	N/R	N/R	N/R	N/R	N/R	N/R	N/R	N/R	N/R	N/R
		5/16 [7.94]	50 [15.24]	75 [22.86]	65 [19.81]	55 [16.76]	45 [13.72]	30 [9.14]	20 [6.1]	10 [3.05]	N/R	N/R	N/R	N/R	N/R	N/R	N/R	N/R
42	3/8" [9.53]	5/16 [7.94]	50 [15.24]	75 [22.86]	90 [27.43]	85 [25.91]	80 [24.38]	80 [24.38]	80 [24.38]	80 [24.38]	80 [24.38]	80 [24.38]	80 [24.38]	80 [24.38]	80 [24.38]	80 [24.38]	80 [24.38]	
		3/8 [9.53]	50 [15.24]	75 [22.86]	100 [30.48]	100 [30.48]	100 [30.48]	100 [30.48]	100 [30.48]	100 [30.48]	100 [30.48]	100 [30.48]	100 [30.48]	100 [30.48]	100 [30.48]	100 [30.48]	100 [30.48]	
		7/16 [11.12]	50 [15.24]	75 [22.86]	100 [30.48]	100 [30.48]	100 [30.48]	100 [30.48]	100 [30.48]	100 [30.48]	100 [30.48]	100 [30.48]	100 [30.48]	100 [30.48]	100 [30.48]	100 [30.48]	100 [30.48]	
		1/2 [12.71]	50 [15.24]	75 [22.86]	100 [30.48]	105 [32]	105 [32]	105 [32]	105 [32]	105 [32]	105 [32]	105 [32]	105 [32]	105 [32]	105 [32]	105 [32]	105 [32]	
		1/4 [6.35]	20 [6.1]	N/R	N/R	N/R	N/R	N/R	N/R	N/R	N/R	N/R	N/R	N/R	N/R	N/R	N/R	N/R
		5/16 [7.94]	50 [15.24]	75 [22.86]	65 [19.81]	55 [16.76]	45 [13.72]	30 [9.14]	20 [6.1]	10 [3.05]	N/R	N/R	N/R	N/R	N/R	N/R	N/R	N/R
48	3/8" [9.53]	5/16 [7.94]	50 [15.24]	75 [22.86]	90 [27.43]	85 [25.91]	80 [24.38]	80 [24.38]	80 [24.38]	80 [24.38]	80 [24.38]	80 [24.38]	80 [24.38]	80 [24.38]	80 [24.38]	80 [24.38]	80 [24.38]	
		3/8 [9.53]	50 [15.24]	75 [22.86]	100 [30.48]	100 [30.48]	100 [30.48]	100 [30.48]	100 [30.48]	100 [30.48]	100 [30.48]	100 [30.48]	100 [30.48]	100 [30.48]	100 [30.48]	100 [30.48]	100 [30.48]	
		7/16 [11.12]	50 [15.24]	75 [22.86]	100 [30.48]	100 [30.48]	100 [30.48]	100 [30.48]	100 [30.48]	100 [30.48]	100 [30.48]	100 [30.48]	100 [30.48]	100 [30.48]	100 [30.48]	100 [30.48]	100 [30.48]	
		1/2 [12.71]	50 [15.24]	75 [22.86]	100 [30.48]	105 [32]	105 [32]	105 [32]	105 [32]	105 [32]	105 [32]	105 [32]	105 [32]	105 [32]	105 [32]	105 [32]	105 [32]	
		1/4 [6.35]	40 [12.19]	N/R	N/R	N/R	N/R	N/R	N/R	N/R	N/R	N/R	N/R	N/R	N/R	N/R	N/R	N/R
		5/16 [7.94]	50 [15.24]	75 [22.86]	65 [19.81]	55 [16.76]	45 [13.72]	30 [9.14]	20 [6.1]	10 [3.05]	N/R	N/R	N/R	N/R	N/R	N/R	N/R	N/R
60	3/8" [9.53]	5/16 [7.94]	50 [15.24]	75 [22.86]	90 [27.43]	85 [25.91]	80 [24.38]	80 [24.38]	80 [24.38]	80 [24.38]	80 [24.38]	80 [24.38]	80 [24.38]	80 [24.38]	80 [24.38]	80 [24.38]	80 [24.38]	
		3/8 [9.53]	50 [15.24]	75 [22.86]	100 [30.48]	100 [30.48]	100 [30.48]	100 [30.48]	100 [30.48]	100 [30.48]	100 [30.48]	100 [30.48]	100 [30.48]	100 [30.48]	100 [30.48]	100 [30.48]	100 [30.48]	
		7/16 [11.12]	50 [15.24]	75 [22.86]	100 [30.48]	100 [30.48]	100 [30.48]	100 [30.48]	100 [30.48]	100 [30.48]	100 [30.48]	100 [30.48]	100 [30.48]	100 [30.48]	100 [30.48]	100 [30.48]	100 [30.48]	
		1/2 [12.71]	50 [15.24]	75 [22.86]	100 [30.48]	105 [32]	105 [32]	105 [32]	105 [32]	105 [32]	105 [32]	105 [32]	105 [32]	105 [32]	105 [32]	105 [32]	105 [32]	
		1/4 [6.35]	5 [1.52]	N/R	N/R	N/R	N/R	N/R	N/R	N/R	N/R	N/R	N/R	N/R	N/R	N/R	N/R	N/R
		5/16 [7.94]	50 [15.24]	75 [22.86]	65 [19.81]	55 [16.76]	45 [13.72]	30 [9.14]	20 [6.1]	10 [3.05]	N/R	N/R	N/R	N/R	N/R	N/R	N/R	N/R

NOTES:  
 N/R = Application not recommended.  
 Grey = This application is acceptable, but the long line guidelines must be followed. Reference Long Line Set section in the I&O



**Refrigerant Line Size Information (con't.)**

R-410A System Capacity Model	Vapor Line Connection Size (Inch I.D.) [mm]	Vapor Line Size (Inch O.D.) [mm]	Vapor Line Selection Chart Capacity Multiplier Table																
			Total Equivalent Length - Feet [m]																
			25 [7.62]	50 [15.24]	75 [22.86]	100 [30.48]	125 [45.72]	150 [45.72]	175 [53.34]	200 [60.96]	225 [68.58]	250 [76.20]	275 [83.82]	300 [91.44]					
18	3/4" [19.06]	5/8 [15.88]	1.00	0.99	0.99	0.98	0.98	0.98	0.98	0.97	0.97	0.97	0.97	0.96	0.96	0.96	0.96	0.95	
		3/4 [19.05]	1.00	1.00	1.00	1.00	1.00	1.00	1.00	1.00	0.99	0.99	0.99	0.99	0.99	0.99	0.99	0.99	
		7/8 [22.23]	N/R	N/R	N/R	N/R	N/R	N/R	N/R	N/R	N/R	N/R	N/R	N/R	N/R	N/R	N/R	N/R	N/R
		1 [25.4]	N/R	N/R	N/R	N/R	N/R	N/R	N/R	N/R	N/R	N/R	N/R	N/R	N/R	N/R	N/R	N/R	N/R
24	3/4" [19.06]	1-1/8 [28.58]	N/R	N/R	N/R	N/R	N/R	N/R	N/R	N/R	N/R	N/R	N/R	N/R	N/R	N/R	N/R	N/R	
		5/8 [15.88]	0.99	1.00	1.00	0.99	0.98	0.97	0.97	0.97	0.96	0.96	0.95	0.95	0.94	0.94	0.93	0.94	
		3/4 [19.05]	1.00	1.01	1.01	1.01	1.01	1.01	1.01	1.01	1.00	1.00	1.00	1.00	1.00	0.99	0.99	0.99	
		7/8 [22.23]	1.00	1.00	1.01	1.00	1.02	1.01	1.02	1.01	1.01	1.01	1.01	1.01	1.01	1.01	1.01	1.01	1.00
30	3/4" [19.06]	1 [25.4]	N/R	N/R	N/R	N/R	N/R	N/R	N/R	N/R	N/R	N/R	N/R	N/R	N/R	N/R	N/R	N/R	
		1-1/8 [28.58]	N/R	N/R	N/R	N/R	N/R	N/R	N/R	N/R	N/R	N/R	N/R	N/R	N/R	N/R	N/R	N/R	N/R
		5/8 [15.88]	1.00	0.98	0.97	0.97	0.97	0.97	0.95	0.95	0.95	0.94	0.93	0.93	0.93	0.92	0.92	0.92	0.91
		3/4 [19.05]	1.00	1.00	0.99	0.99	0.99	0.99	0.99	0.99	0.98	0.98	0.98	0.98	0.97	0.97	0.97	0.97	0.96
36	3/4" [19.06]	7/8 [22.23]	1.01	1.00	1.00	1.00	1.00	1.00	1.00	1.00	0.99	0.99	0.99	0.99	1.00	1.00	1.00	1.00	
		1 [25.4]	1.01	1.01	1.01	1.01	1.01	1.01	1.01	1.01	1.01	1.01	1.01	1.01	1.00	1.00	1.00	1.00	
		1-1/8 [28.58]	N/R	N/R	N/R	N/R	N/R	N/R	N/R	N/R	N/R	N/R	N/R	N/R	N/R	N/R	N/R	N/R	N/R
		5/8 [15.88]	0.99	0.98	0.97	0.96	0.95	0.95	0.95	0.95	0.93	0.93	0.91	0.91	0.91	0.91	0.91	0.91	0.88
42	7/8" [22.23]	3/4 [19.05]	1.00	1.00	0.99	0.99	0.98	0.98	0.98	0.98	0.99	0.99	0.99	0.99	0.98	0.97	0.96	0.96	
		7/8 [22.23]	1.01	1.01	1.00	1.00	1.00	1.00	1.00	1.00	0.99	0.99	0.99	0.99	0.99	0.99	0.99	0.98	
		1 [25.4]	1.01	1.01	1.01	1.01	1.00	1.00	1.00	1.00	1.00	1.01	1.01	1.00	1.00	1.00	1.00	1.00	
		1-1/8 [28.58]	N/R	N/R	N/R	N/R	N/R	N/R	N/R	N/R	N/R	N/R	N/R	N/R	N/R	N/R	N/R	N/R	N/R
48	7/8" [22.23]	5/8 [15.88]	0.98	0.95	0.93	0.92	0.92	0.92	0.92	0.92	0.91	0.89	0.89	0.89	0.87	0.85	0.85	0.84	
		3/4 [19.05]	0.99	0.98	0.97	0.96	0.96	0.96	0.96	0.96	0.95	0.95	0.95	0.95	0.95	0.95	0.94	0.93	
		7/8 [22.23]	1.00	1.00	0.98	0.98	0.98	0.98	0.98	0.97	0.97	0.97	0.97	0.99	0.99	0.98	0.98	0.98	
		1 [25.4]	1.00	1.00	1.00	1.00	1.00	1.00	1.00	1.00	0.99	0.99	0.99	0.99	0.99	0.99	0.99	0.99	
60	7/8" [22.23]	1-1/8 [28.58]	1.00	1.00	0.99	0.99	0.99	0.99	0.99	0.99	0.99	0.99	0.99	0.99	0.98	0.98	0.98	0.98	
		5/8 [15.88]	0.97	0.94	0.91	0.89	0.87	0.87	0.87	0.87	0.87	0.86	0.86	0.85	0.84	0.82	0.82	0.82	
		3/4 [19.05]	0.99	0.98	0.96	0.96	0.94	0.94	0.94	0.94	0.94	0.94	0.93	0.93	0.92	0.92	0.92	0.92	
		7/8 [22.23]	1.00	1.00	0.98	0.98	0.98	0.98	0.98	0.97	0.97	0.97	0.97	0.97	0.96	0.96	0.96	0.96	

**NOTES:**  
 N/R = Application not recommended.  
 All calculations assume a 3/8" liquid line

[ ] Designates Metric Conversions

## Performance Data @ AHRI Standard Conditions – Cooling

High Sales Volume Tested Combination (HSVTC)								
Outdoor Unit	Indoor Coil	Total Capacity BTU/H [kW]	Net Sensible BTU/H [kW]	Net Latent BTU/H [kW]	SEER	EER	Indoor CFM [L/s]	AHRI#
RA1418AJ1	RCF2417STAM	17800 [5.2]	13400 [3.9]	4400 [1.3]	14	11.5	600 [283.2]	7489162
RA1424AJ1	RCF2417STAM	24000 [7.0]	18100 [5.3]	5900 [1.7]	14	11.5	800 [377.6]	7489163
RA1430AJ1	RCF3617STAM	28800 [8.4]	21800 [6.4]	7000 [2.1]	14	11.5	1000 [471.9]	7489164
RA1436AC1	RCF3617STAM	34200 [10.0]	24600 [7.2]	9600 [2.8]	14	11.5	1050 [495.5]	7489165
RA1436AJ1	RCF3617STAM	34200 [10.0]	24600 [7.2]	9600 [2.8]	14	11.5	1050 [495.5]	7489166
RA1442AC1	RCF4821STAM	41500 [12.2]	31200 [9.1]	10300 [3.0]	14	11.5	1425 [672.5]	7489167
RA1442AJ1	RCF4821STAM	41500 [12.2]	31200 [9.1]	10300 [3.0]	14	11.5	1425 [672.5]	7489168
RA1448AC1	RCF4821STAM	46000 [13.5]	33800 [9.9]	12200 [3.6]	14	11.7	1450 [684.3]	7489169
RA1448AJ1	RCF4821STAM	46000 [13.5]	33800 [9.9]	12200 [3.6]	14	11.7	1450 [684.3]	7489170
RA1460AC1	RCF6024STAM	57000 [16.7]	39900 [11.7]	17100 [5.0]	14	11.7	1575 [743.3]	7489171
RA1460AJ1	RCF6024STAM	57000 [16.7]	39900 [11.7]	17100 [5.0]	14	11.7	1575 [743.3]	7489172

[ ] Designates Metric Conversions

## Performance Data @ AHRI Standard Conditions – Cooling (con't.)

Coil Only Ratings								
Outdoor Unit	Indoor Coil	Total Capacity BTU/H [kW]	Net Sensible BTU/H [kW]	Net Latent BTU/H [kW]	SEER	EER	Indoor CFM [L/s]	AHRI#
RA1418AJ1	RCF2414STAM+RXMD-C04	17900 [5.2]	13100 [3.8]	4800 [1.4]	14	11.5	600 [283.2]	7490519
	RCF2417HTAM+RXMD-C04	17900 [5.2]	13100 [3.8]	4800 [1.4]	14	11.5	600 [283.2]	7493620
	RCF2417MTAM+RXMD-C04	17900 [5.2]	13100 [3.8]	4800 [1.4]	14	11.5	600 [283.2]	7493621
	RCF2421MTAM+RXMD-C04	17900 [5.2]	13100 [3.8]	4800 [1.4]	14	11.5	600 [283.2]	7493623
	RCF2421HTAM+RXMD-C04	17900 [5.2]	13100 [3.8]	4800 [1.4]	14	11.5	600 [283.2]	7493622
RA1424AJ1	RCF2414STAM+RXMD-C04	24400 [7.2]	17200 [5.0]	7200 [2.1]	14	11.5	775 [365.8]	7490731
	RCF2417HTAM+RXMD-C04	25200 [7.4]	18400 [5.4]	6800 [2.0]	14	11.5	800 [377.6]	7493627
	RCF2417MTAM+RXMD-C04	25200 [7.4]	18400 [5.4]	6800 [2.0]	14	11.5	800 [377.6]	7493628
	RCF2421MTAM+RXMD-C04	25200 [7.4]	18400 [5.4]	6800 [2.0]	14	11.5	800 [377.6]	7493630
	RCF2421HTAM+RXMD-C04	25200 [7.4]	18400 [5.4]	6800 [2.0]	14	11.5	800 [377.6]	7493629
RA1430AJ1	RCF3621MTAM+RXMD-C04	30200 [8.9]	22100 [6.5]	8100 [2.4]	14	11.5	1000 [471.9]	7493634
	RCF3621STAM+RXMD-C04	28600 [8.4]	20500 [6.0]	8100 [2.4]	14	11.5	1000 [471.9]	7491039
	RCF3624HTAM+RXMD-C04	30800 [9.0]	22200 [6.5]	8600 [2.5]	14	11.5	1000 [471.9]	7493635
	RCF3624MTAM+RXMD-C04	30200 [8.9]	22100 [6.5]	8100 [2.4]	14	11.5	1000 [471.9]	7493636
RA1436AC1	RCF3621MTAM+RXMD-C04	36200 [10.6]	25000 [7.3]	11200 [3.3]	14	11.5	1050 [495.5]	7493639
	RCF3621STAM+RXMD-C04	34200 [10.0]	23400 [6.9]	10800 [3.2]	14	11.5	1050 [495.5]	7491310
	RCF3624HTAM+RXMD-C04	37400 [11.0]	26000 [7.6]	11400 [3.3]	14	11.5	1050 [495.5]	7493640
	RCF3624MTAM+RXMD-C04	36200 [10.6]	25000 [7.3]	11200 [3.3]	14	11.5	1050 [495.5]	7493641
RA1436AJ1	RCF3621MTAM+RXMD-C04	36200 [10.6]	25000 [7.3]	11200 [3.3]	14	11.5	1050 [495.5]	7493647
	RCF3621STAM+RXMD-C04	34200 [10.0]	23400 [6.9]	10800 [3.2]	14	11.5	1050 [495.5]	7491601
	RCF3624HTAM+RXMD-C04	37400 [11.0]	26000 [7.6]	11400 [3.3]	14	11.5	1050 [495.5]	7493648
	RCF3624MTAM+RXMD-C04	36200 [10.6]	25000 [7.3]	11200 [3.3]	14	11.5	1050 [495.5]	7493649
RA1442AC1	RCF4824HTAM+RXMD-C04	43000 [12.6]	30700 [9.0]	12300 [3.6]	14	11.5	1425 [672.5]	7493655
	RCF4824STAM+RXMD-C04	41500 [12.2]	29300 [8.6]	12200 [3.6]	14	11.5	1375 [648.9]	7491893
RA1442AJ1	RCF4824HTAM+RXMD-C04	43000 [12.6]	30700 [9.0]	12300 [3.6]	14	11.5	1425 [672.5]	7493658
	RCF4824STAM+RXMD-C04	41500 [12.2]	29300 [8.6]	12200 [3.6]	14	11.5	1375 [648.9]	7492068
RA1448AC1	RCF4824HTAM+RXMD-C04	47500 [13.9]	33300 [9.8]	14200 [4.2]	14	11.7	1450 [684.3]	7492215
	RCF4824STAM+RXMD-C04	45500 [13.3]	31100 [9.1]	14400 [4.2]	14	11.7	1375 [648.9]	7492238
RA1448AJ1	RCF4824HTAM+RXMD-C04	47500 [13.9]	33300 [9.8]	14200 [4.2]	14	11.7	1450 [684.3]	7492414
	RCF4824STAM+RXMD-C04	45500 [13.3]	31100 [9.1]	14400 [4.2]	14	11.7	1375 [648.9]	7492437
RA1460AC1	RCF6024HTAM+RXMD-C04	57000 [16.7]	39900 [11.7]	17100 [5.0]	14	11.7	1575 [743.3]	7492580
RA1460AJ1	RCF6024HTAM+RXMD-C04	57000 [16.7]	39900 [11.7]	17100 [5.0]	14	11.7	1575 [743.3]	7492636

[ ] Designates Metric Conversions

## Performance Data @ AHRI Standard Conditions – Cooling (con't.)

RGPT: Single Stage Upflow Constant Torque 80% Furnace Ratings									
Outdoor Unit	Furnace	Indoor Coil	Total Capacity BTU/H [kW]	Net Sensible BTU/H [kW]	Net Latent BTU/H [kW]	SEER	EER	Indoor CFM [L/s]	AHRI#
RA1418AJ1	RGPT-05?BMK?	RCF2417HTAM	18500 [5.4]	14500 [4.2]	4000 [1.2]	16	13	650 [306.8]	7490528
		RCF2417MTAM	18500 [5.4]	14500 [4.2]	4000 [1.2]	16	13	650 [306.8]	7490542
		RCF2417STAM	18500 [5.4]	14200 [4.2]	4300 [1.3]	15.5	13	650 [306.8]	7490556
		RCF2421MTAM	18500 [5.4]	14500 [4.2]	4000 [1.2]	16	13	650 [306.8]	7490595
RA1418AJ1	RGPT-07?AMK?	RCF2417HTAM	18300 [5.4]	14300 [4.2]	4000 [1.2]	16	13	625 [295.0]	7490529
		RCF2417MTAM	18300 [5.4]	14300 [4.2]	4000 [1.2]	16	13	625 [295.0]	7490543
		RCF2417STAM	18200 [5.3]	13800 [4.0]	4400 [1.3]	15.5	13	625 [295.0]	7490557
		RCF2421MTAM	18300 [5.4]	14300 [4.2]	4000 [1.2]	16	13	625 [295.0]	7490596
RA1418AJ1	RGPT-05?BMK?	RCF2421HTAM	18500 [5.4]	14500 [4.2]	4000 [1.2]	16	13	650 [306.8]	7490575
RA1418AJ1	RGPT-07?AMK?	RCF2421HTAM	18300 [5.4]	14300 [4.2]	4000 [1.2]	16	13	625 [295.0]	7490576
RA1424AJ1	RGPT-05?BMK?	RCF2417HTAM	26200 [7.7]	19700 [5.8]	6500 [1.9]	15.5	13	900 [424.8]	7490742
		RCF2417MTAM	26000 [7.6]	19400 [5.7]	6600 [1.9]	15.5	13	875 [413.0]	7490758
		RCF2417STAM	24800 [7.3]	19100 [5.6]	5700 [1.7]	15.1	12.5	875 [413.0]	7490774
		RCF2421MTAM	26000 [7.6]	19400 [5.7]	6600 [1.9]	15.5	13	875 [413.0]	7490824
RA1424AJ1	RGPT-07?AMK?	RCF2417HTAM	26400 [7.7]	19900 [5.8]	6500 [1.9]	16	13	925 [436.6]	7490743
		RCF2417MTAM	26200 [7.7]	19700 [5.8]	6500 [1.9]	15.5	13	900 [424.8]	7490759
		RCF2417STAM	24800 [7.3]	19100 [5.6]	5700 [1.7]	15.1	12.5	875 [413.0]	7490775
		RCF2421MTAM	26200 [7.7]	19700 [5.8]	6500 [1.9]	15.5	13	900 [424.8]	7490825
RA1424AJ1	RGPT-05?BMK?	RCF2421HTAM	26000 [7.6]	19400 [5.7]	6600 [1.9]	15.5	13	875 [413.0]	7490798
RA1424AJ1	RGPT-07?AMK?	RCF2421HTAM	26200 [7.7]	19700 [5.8]	6500 [1.9]	15.5	13	900 [424.8]	7490799
RA1430AJ1	RGPT-05?BMK?	RCF3617STAM	28600 [8.4]	21200 [6.2]	7400 [2.2]	15.1	12.5	875 [413.0]	7490977
		RCF3621MTAM	30200 [8.9]	21700 [6.4]	8500 [2.5]	16	13	900 [424.8]	7491001
		RCF3621STAM	28800 [8.4]	21400 [6.3]	7400 [2.2]	15.1	12.5	900 [424.8]	7491029
RA1430AJ1	RGPT-07?AMK?	RCF3617STAM	28800 [8.4]	21400 [6.3]	7400 [2.2]	15.1	12.5	900 [424.8]	7490978
		RCF3621MTAM	30400 [8.9]	22000 [6.4]	8400 [2.5]	16	13	925 [436.6]	7491002
		RCF3621STAM	28800 [8.4]	21400 [6.3]	7400 [2.2]	15.1	12.5	900 [424.8]	7491030
RA1430AJ1	RGPT-07?BRQ?	RCF3621MTAM	30800 [9.0]	22700 [6.7]	8100 [2.4]	16	13	1000 [471.9]	7491003
		RCF3621STAM	29400 [8.6]	22300 [6.5]	7100 [2.1]	15.5	13	975 [460.1]	7491031
		RCF3624MTAM	30800 [9.0]	22700 [6.7]	8100 [2.4]	16	13	1000 [471.9]	7491072
RA1430AJ1	RGPT-10?BRM?	RCF3621MTAM	30800 [9.0]	22700 [6.7]	8100 [2.4]	16	13	1025 [483.7]	7491004
		RCF3621STAM	29400 [8.6]	22400 [6.6]	7000 [2.1]	15.5	13	1000 [471.9]	7491032
		RCF3624MTAM	30800 [9.0]	22700 [6.7]	8100 [2.4]	16	13	1025 [483.7]	7491073
RA1430AJ1	RGPT-12?ARM?	RCF3624MTAM	31200 [9.1]	23400 [6.9]	7800 [2.3]	16	13	1100 [519.1]	7491074
RA1436AC1	RGPT-05?BMK?	RCF3617STAM	34400 [10.1]	24800 [7.3]	9600 [2.8]	14.5	12.2	1050 [495.5]	7491248
		RCF3621MTAM	36400 [10.7]	25200 [7.4]	11200 [3.3]	15.1	12.5	1075 [507.3]	7491272
		RCF3621STAM	34400 [10.1]	24800 [7.3]	9600 [2.8]	14.5	12.2	1050 [495.5]	7491300
RA1436AC1	RGPT-07?AMK?	RCF3617STAM	34600 [10.1]	25000 [7.3]	9600 [2.8]	14.5	12.2	1050 [495.5]	7491249
		RCF3621MTAM	36800 [10.8]	25800 [7.6]	11000 [3.2]	15.5	13	1100 [519.1]	7491273
		RCF3621STAM	34600 [10.1]	25000 [7.3]	9600 [2.8]	14.5	12.2	1050 [495.5]	7491301

[ ] Designates Metric Conversions

## Performance Data @ AHRI Standard Conditions – Cooling (con't.)

RGPT: Single Stage Upflow Constant Torque 80% Furnace Ratings									
Outdoor Unit	Furnace	Indoor Coil	Total Capacity BTU/H [kW]	Net Sensible BTU/H [kW]	Net Latent BTU/H [kW]	SEER	EER	Indoor CFM [L/s]	AHRI#
RA1436AC1	RGPT-07?BRQ?	RCF3621MTAM	36600 [10.7]	25200 [7.4]	11400 [3.3]	16	13	1000 [471.9]	7491274
		RCF3621STAM	34400 [10.1]	24500 [7.2]	9900 [2.9]	15.1	12.5	975 [460.1]	7491302
		RCF3624MTAM	36600 [10.7]	25200 [7.4]	11400 [3.3]	16	13	1000 [471.9]	7491343
RA1436AC1	RGPT-10?BRM?	RCF3621MTAM	37800 [11.1]	27400 [8.0]	10400 [3.0]	16	13	1225 [578.1]	7491275
		RCF3621STAM	34400 [10.1]	24500 [7.2]	9900 [2.9]	15.1	12.5	975 [460.1]	7491303
		RCF3624MTAM	37800 [11.1]	27400 [8.0]	10400 [3.0]	16	13	1225 [578.1]	7491344
RA1436AC1	RGPT-12?ARM?	RCF3624MTAM	37000 [10.8]	26000 [7.6]	11000 [3.2]	15.5	13	1100 [519.1]	7491345
RA1436AJ1	RGPT-05?BMK?	RCF3617STAM	34400 [10.1]	24800 [7.3]	9600 [2.8]	14.5	12.2	1050 [495.5]	7491539
		RCF3621MTAM	36400 [10.7]	25200 [7.4]	11200 [3.3]	15.1	12.5	1075 [507.3]	7491563
		RCF3621STAM	34400 [10.1]	24800 [7.3]	9600 [2.8]	14.5	12.2	1050 [495.5]	7491591
RA1436AJ1	RGPT-07?AMK?	RCF3617STAM	34600 [10.1]	25000 [7.3]	9600 [2.8]	14.5	12.2	1050 [495.5]	7491540
		RCF3621MTAM	36800 [10.8]	25800 [7.6]	11000 [3.2]	15.5	13	1100 [519.1]	7491564
		RCF3621STAM	34600 [10.1]	25000 [7.3]	9600 [2.8]	14.5	12.2	1050 [495.5]	7491592
RA1436AJ1	RGPT-07?BRQ?	RCF3621MTAM	36600 [10.7]	25200 [7.4]	11400 [3.3]	16	13	1000 [471.9]	7491565
		RCF3621STAM	34400 [10.1]	24500 [7.2]	9900 [2.9]	15.1	12.5	975 [460.1]	7491593
		RCF3624MTAM	36600 [10.7]	25200 [7.4]	11400 [3.3]	16	13	1000 [471.9]	7491634
RA1436AJ1	RGPT-10?BRM?	RCF3621MTAM	37800 [11.1]	27400 [8.0]	10400 [3.0]	16	13	1225 [578.1]	7491566
		RCF3621STAM	34400 [10.1]	24500 [7.2]	9900 [2.9]	15.1	12.5	975 [460.1]	7491594
		RCF3624MTAM	37800 [11.1]	27400 [8.0]	10400 [3.0]	16	13	1225 [578.1]	7491635
RA1436AJ1	RGPT-12?ARM?	RCF3624MTAM	37000 [10.8]	26000 [7.6]	11000 [3.2]	15.5	13	1100 [519.1]	7491636
RA1442AC1	RGPT-05?BMK?	RCF4821STAM	41000 [12.0]	29600 [8.7]	11400 [3.3]	14	11.5	1225 [578.1]	7491836
RA1442AC1	RGPT-07?AMK?	RCF4821STAM	40500 [11.9]	28400 [8.3]	12100 [3.5]	14.5	12.2	1100 [519.1]	7491837
RA1442AC1	RGPT-07?BRQ?	RCF4821STAM	41500 [12.2]	30100 [8.8]	11400 [3.3]	15	12.5	1225 [578.1]	7491838
		RCF4824STAM	41500 [12.2]	30100 [8.8]	11400 [3.3]	15	12.5	1225 [578.1]	7491884
RA1442AC1	RGPT-10?BRM?	RCF4821STAM	41500 [12.2]	30100 [8.8]	11400 [3.3]	15.1	12.5	1225 [578.1]	7491839
		RCF4824STAM	41500 [12.2]	30100 [8.8]	11400 [3.3]	15.1	12.5	1225 [578.1]	7491885
RA1442AC1	RGPT-12?ARM?	RCF4824STAM	40500 [11.9]	28400 [8.3]	12100 [3.5]	15	12.5	1100 [519.1]	7491886
RA1442AJ1	RGPT-05?BMK?	RCF4821STAM	41000 [12.0]	29600 [8.7]	11400 [3.3]	14	11.5	1225 [578.1]	7492011
RA1442AJ1	RGPT-07?AMK?	RCF4821STAM	40500 [11.9]	28400 [8.3]	12100 [3.5]	14.5	12.2	1100 [519.1]	7492012
RA1442AJ1	RGPT-07?BRQ?	RCF4821STAM	41500 [12.2]	30100 [8.8]	11400 [3.3]	15	12.5	1225 [578.1]	7492013
		RCF4824STAM	41500 [12.2]	30100 [8.8]	11400 [3.3]	15	12.5	1225 [578.1]	7492059
RA1442AJ1	RGPT-10?BRM?	RCF4821STAM	41500 [12.2]	30100 [8.8]	11400 [3.3]	15.1	12.5	1225 [578.1]	7492014
		RCF4824STAM	41500 [12.2]	30100 [8.8]	11400 [3.3]	15.1	12.5	1225 [578.1]	7492060
RA1442AJ1	RGPT-12?ARM?	RCF4824STAM	40500 [11.9]	28400 [8.3]	12100 [3.5]	15	12.5	1100 [519.1]	7492061
RA1448AC1	RGPT-07?AMK?	RCF4821STAM	45000 [13.2]	31400 [9.2]	13600 [4.0]	14	11.7	1225 [578.1]	7492186
RA1448AC1	RGPT-07?BRQ?	RCF4821STAM	46000 [13.5]	33400 [9.8]	12600 [3.7]	14.5	12	1400 [660.7]	7492187
		RCF4824STAM	46000 [13.5]	33400 [9.8]	12600 [3.7]	14.5	12	1400 [660.7]	7492230
RA1448AC1	RGPT-10?BRM?	RCF4821STAM	46000 [13.5]	33400 [9.8]	12600 [3.7]	14.5	12	1400 [660.7]	7492188
		RCF4824STAM	46000 [13.5]	33400 [9.8]	12600 [3.7]	14.5	12	1400 [660.7]	7492231
RA1448AC1	RGPT-12?ARM?	RCF4824STAM	45500 [13.3]	32000 [9.4]	13500 [4.0]	14.5	12	1250 [589.9]	7492232
RA1448AJ1	RGPT-07?AMK?	RCF4821STAM	45000 [13.2]	31400 [9.2]	13600 [4.0]	14	11.7	1225 [578.1]	7492385

[ ] Designates Metric Conversions

## Performance Data @ AHRI Standard Conditions – Cooling (con't.)

RGPT: Single Stage Upflow Constant Torque 80% Furnace Ratings									
Outdoor Unit	Furnace	Indoor Coil	Total Capacity BTU/H [kW]	Net Sensible BTU/H [kW]	Net Latent BTU/H [kW]	SEER	EER	Indoor CFM [L/s]	AHRI#
RA1448AJ1	RGPT-07?BRQ?	RCF4821STAM	46000 [13.5]	33400 [9.8]	12600 [3.7]	14.5	12	1400 [660.7]	7492386
		RCF4824STAM	46000 [13.5]	33400 [9.8]	12600 [3.7]	14.5	12	1400 [660.7]	7492429
RA1448AJ1	RGPT-10?BRM?	RCF4821STAM	46000 [13.5]	33400 [9.8]	12600 [3.7]	14.5	12	1400 [660.7]	7492387
		RCF4824STAM	46000 [13.5]	33400 [9.8]	12600 [3.7]	14.5	12	1400 [660.7]	7492430
RA1448AJ1	RGPT-12?ARM?	RCF4824STAM	45500 [13.3]	32000 [9.4]	13500 [4.0]	14.5	12	1250 [589.9]	7492431
RA1460AC1	RGPT-07?BRQ?	RCF6024STAM	56500 [16.6]	38400 [11.3]	18100 [5.3]	14	11.7	1450 [684.3]	7492588
RA1460AC1	RGPT-10?BRM?	RCF6024STAM	56500 [16.6]	38300 [11.2]	18200 [5.3]	14	11.7	1425 [672.5]	7492589
RA1460AJ1	RGPT-07?BRQ?	RCF6024STAM	56500 [16.6]	38400 [11.3]	18100 [5.3]	14	11.7	1450 [684.3]	7492644
RA1460AJ1	RGPT-10?BRM?	RCF6024STAM	56500 [16.6]	38300 [11.2]	18200 [5.3]	14	11.7	1425 [672.5]	7492645

[ ] Designates Metric Conversions

## Performance Data @ AHRI Standard Conditions – Cooling (con't.)

RGPE: Two-Stage, Variable Speed 80% (upflow/horizontal) furnace with Comfort Control System Ratings									
Outdoor Unit	Furnace	Indoor Coil	Total Capacity BTU/H [kW]	Net Sensible BTU/H [kW]	Net Latent BTU/H [kW]	SEER	EER	Indoor CFM [L/s]	AHRI#
RA1418AJ1	RGPE-05?BMK?	RCF2417HTAM	18200 [5.3]	14100 [4.1]	4100 [1.2]	16	13	575 [271.4]	7490526
		RCF2417MTAM	18200 [5.3]	14100 [4.1]	4100 [1.2]	16	13	575 [271.4]	7490540
		RCF2417STAM	18200 [5.3]	13700 [4.0]	4500 [1.3]	15.5	13	575 [271.4]	7490554
		RCF2421MTAM	18200 [5.3]	14100 [4.1]	4100 [1.2]	16	13	575 [271.4]	7490593
RA1418AJ1	RGPE-07?AMK?	RCF2417HTAM	18400 [5.4]	14400 [4.2]	4000 [1.2]	16	13	625 [295.0]	7490527
		RCF2417MTAM	18400 [5.4]	14400 [4.2]	4000 [1.2]	16	13	625 [295.0]	7490541
		RCF2417STAM	18300 [5.4]	13900 [4.1]	4400 [1.3]	16	13	625 [295.0]	7490555
		RCF2421MTAM	18400 [5.4]	14400 [4.2]	4000 [1.2]	16	13	625 [295.0]	7490594
RA1418AJ1	RGPE-05?BMK?	RCF2421HTAM	18200 [5.3]	14100 [4.1]	4100 [1.2]	16	13	575 [271.4]	7490573
RA1418AJ1	RGPE-07?AMK?	RCF2421HTAM	18400 [5.4]	14400 [4.2]	4000 [1.2]	16	13	625 [295.0]	7490574
RA1424AJ1	RGPE-05?BMK?	RCF2417HTAM	26200 [7.7]	19700 [5.8]	6500 [1.9]	15.5	13	900 [424.8]	7490740
		RCF2417MTAM	26200 [7.7]	19700 [5.8]	6500 [1.9]	15.5	13	900 [424.8]	7490756
		RCF2417STAM	24600 [7.2]	18700 [5.5]	5900 [1.7]	15.1	12.5	800 [377.6]	7490772
		RCF2421MTAM	26200 [7.7]	19700 [5.8]	6500 [1.9]	15.5	13	900 [424.8]	7490820
RA1424AJ1	RGPE-07?AMK?	RCF2417HTAM	25800 [7.6]	19000 [5.6]	6800 [2.0]	16	13	825 [389.4]	7490741
		RCF2417MTAM	25800 [7.6]	19000 [5.6]	6800 [2.0]	16	13	825 [389.4]	7490757
		RCF2417STAM	25000 [7.3]	19400 [5.7]	5600 [1.6]	15.1	12.5	900 [424.8]	7490773
		RCF2421MTAM	25800 [7.6]	19000 [5.6]	6800 [2.0]	16	13	825 [389.4]	7490821
RA1424AJ1	RGPE-07?BRQ?	RCF2421MTAM	26200 [7.7]	19700 [5.8]	6500 [1.9]	16	13	900 [424.8]	7490822
RA1424AJ1	RGPE-10?BRM?	RCF2421MTAM	26400 [7.7]	19900 [5.8]	6500 [1.9]	16	13	900 [424.8]	7490823
RA1424AJ1	RGPE-05?BMK?	RCF2421HTAM	26200 [7.7]	19700 [5.8]	6500 [1.9]	15.5	13	900 [424.8]	7490794
RA1424AJ1	RGPE-07?AMK?	RCF2421HTAM	25800 [7.6]	19000 [5.6]	6800 [2.0]	16	13	825 [389.4]	7490795
RA1424AJ1	RGPE-07?BRQ?	RCF2421HTAM	26200 [7.7]	19700 [5.8]	6500 [1.9]	16	13	900 [424.8]	7490796
RA1424AJ1	RGPE-10?BRM?	RCF2421HTAM	26400 [7.7]	19900 [5.8]	6500 [1.9]	16	13	900 [424.8]	7490797
RA1430AJ1	RGPE-05?BMK?	RCF3617STAM	28600 [8.4]	21200 [6.2]	7400 [2.2]	15.1	12.5	900 [424.8]	7490975
		RCF3621MTAM	30200 [8.9]	21700 [6.4]	8500 [2.5]	16	13	900 [424.8]	7490997
		RCF3621STAM	28800 [8.4]	21400 [6.3]	7400 [2.2]	15.1	12.5	900 [424.8]	7491025
RA1430AJ1	RGPE-07?AMK?	RCF3617STAM	28400 [8.3]	20800 [6.1]	7600 [2.2]	15.5	13	825 [389.4]	7490976
		RCF3621MTAM	30200 [8.9]	21700 [6.4]	8500 [2.5]	16	13	900 [424.8]	7490998
		RCF3621STAM	28600 [8.4]	21000 [6.2]	7600 [2.2]	15.5	13	825 [389.4]	7491026
RA1430AJ1	RGPE-07?BRQ?	RCF3621MTAM	31000 [9.1]	23100 [6.8]	7900 [2.3]	16	13	1050 [495.5]	7490999
		RCF3621STAM	28800 [8.4]	21400 [6.3]	7400 [2.2]	15.5	13	900 [424.8]	7491027
		RCF3624HTAM	31600 [9.3]	23200 [6.8]	8400 [2.5]	16	13	1050 [495.5]	7491052
		RCF3624MTAM	31000 [9.1]	23100 [6.8]	7900 [2.3]	16	13	1050 [495.5]	7491069
RA1430AJ1	RGPE-10?BRM?	RCF3621MTAM	31200 [9.1]	23400 [6.9]	7800 [2.3]	16	13	1075 [507.3]	7491000
		RCF3621STAM	28800 [8.4]	21400 [6.3]	7400 [2.2]	15.5	13	900 [424.8]	7491028
		RCF3624HTAM	31800 [9.3]	23500 [6.9]	8300 [2.4]	16	13	1075 [507.3]	7491053
		RCF3624MTAM	31200 [9.1]	23400 [6.9]	7800 [2.3]	16	13	1075 [507.3]	7491070

[ ] Designates Metric Conversions

## Performance Data @ AHRI Standard Conditions – Cooling (con't.)

RGPE: Two-Stage, Variable Speed 80% (upflow/horizontal) furnace with Comfort Control System Ratings									
Outdoor Unit	Furnace	Indoor Coil	Total Capacity BTU/H [kW]	Net Sensible BTU/H [kW]	Net Latent BTU/H [kW]	SEER	EER	Indoor CFM [L/s]	AHRI#
RA1430AJ1	RGPE-12?ARM?	RCF3624HTAM	32000 [9.4]	23700 [6.9]	8300 [2.4]	16	13	1075 [507.3]	7491054
		RCF3624MTAM	31200 [9.1]	23400 [6.9]	7800 [2.3]	16	13	1075 [507.3]	7491071
RA1436AC1	RGPE-05?BMK?	RCF3617STAM	34200 [10.0]	24300 [7.1]	9900 [2.9]	14.5	12.2	975 [460.1]	7491246
		RCF3621MTAM	36200 [10.6]	24700 [7.2]	11500 [3.4]	15.5	13	975 [460.1]	7491268
		RCF3621STAM	34200 [10.0]	24300 [7.1]	9900 [2.9]	14.5	12.2	975 [460.1]	7491296
RA1436AC1	RGPE-07?AMK?	RCF3617STAM	34400 [10.1]	24600 [7.2]	9800 [2.9]	14.5	12.2	1000 [471.9]	7491247
		RCF3621MTAM	36400 [10.7]	25000 [7.3]	11400 [3.3]	15.5	13	1000 [471.9]	7491269
		RCF3621STAM	34400 [10.1]	24600 [7.2]	9800 [2.9]	14.5	12.2	1000 [471.9]	7491297
RA1436AC1	RGPE-07?BRQ?	RCF3621MTAM	36800 [10.8]	25600 [7.5]	11200 [3.3]	16	13	1050 [495.5]	7491270
		RCF3621STAM	34800 [10.2]	25200 [7.4]	9600 [2.8]	15.1	12.5	1050 [495.5]	7491298
		RCF3624HTAM	39000 [11.4]	28500 [8.4]	10500 [3.1]	16	13	1225 [578.1]	7491323
		RCF3624MTAM	36800 [10.8]	25600 [7.5]	11200 [3.3]	16	13	1050 [495.5]	7491340
RA1436AC1	RGPE-10?BRM?	RCF3621MTAM	36800 [10.8]	25600 [7.5]	11200 [3.3]	16	13	1075 [507.3]	7491271
		RCF3621STAM	34800 [10.2]	25200 [7.4]	9600 [2.8]	15.1	12.5	1075 [507.3]	7491299
		RCF3624HTAM	39000 [11.4]	28500 [8.4]	10500 [3.1]	16	13	1225 [578.1]	7491324
		RCF3624MTAM	36800 [10.8]	25600 [7.5]	11200 [3.3]	16	13	1075 [507.3]	7491341
RA1436AC1	RGPE-12?ARM?	RCF3624HTAM	39000 [11.4]	28300 [8.3]	10700 [3.1]	16	13	1200 [566.3]	7491325
		RCF3624MTAM	37600 [11.0]	27100 [7.9]	10500 [3.1]	16	13	1200 [566.3]	7491342
RA1436AJ1	RGPE-05?BMK?	RCF3617STAM	34200 [10.0]	24300 [7.1]	9900 [2.9]	14.5	12.2	975 [460.1]	7491537
		RCF3621MTAM	36200 [10.6]	24700 [7.2]	11500 [3.4]	15.5	13	975 [460.1]	7491559
		RCF3621STAM	34200 [10.0]	24300 [7.1]	9900 [2.9]	14.5	12.2	975 [460.1]	7491587
RA1436AJ1	RGPE-07?AMK?	RCF3617STAM	34400 [10.1]	24600 [7.2]	9800 [2.9]	14.5	12.2	1000 [471.9]	7491538
		RCF3621MTAM	36400 [10.7]	25000 [7.3]	11400 [3.3]	15.5	13	1000 [471.9]	7491560
		RCF3621STAM	34400 [10.1]	24600 [7.2]	9800 [2.9]	14.5	12.2	1000 [471.9]	7491588
RA1436AJ1	RGPE-07?BRQ?	RCF3621MTAM	36800 [10.8]	25600 [7.5]	11200 [3.3]	16	13	1050 [495.5]	7491561
		RCF3621STAM	34800 [10.2]	25200 [7.4]	9600 [2.8]	15.1	12.5	1050 [495.5]	7491589
		RCF3624HTAM	39000 [11.4]	28500 [8.4]	10500 [3.1]	16	13	1225 [578.1]	7491614
		RCF3624MTAM	36800 [10.8]	25600 [7.5]	11200 [3.3]	16	13	1050 [495.5]	7491631
RA1436AJ1	RGPE-10?BRM?	RCF3621MTAM	36800 [10.8]	25600 [7.5]	11200 [3.3]	16	13	1075 [507.3]	7491562
		RCF3621STAM	34800 [10.2]	25200 [7.4]	9600 [2.8]	15.1	12.5	1075 [507.3]	7491590
		RCF3624HTAM	39000 [11.4]	28500 [8.4]	10500 [3.1]	16	13	1225 [578.1]	7491615
		RCF3624MTAM	36800 [10.8]	25600 [7.5]	11200 [3.3]	16	13	1075 [507.3]	7491632
RA1436AJ1	RGPE-12?ARM?	RCF3624HTAM	39000 [11.4]	28300 [8.3]	10700 [3.1]	16	13	1200 [566.3]	7491616
		RCF3624MTAM	37600 [11.0]	27100 [7.9]	10500 [3.1]	16	13	1200 [566.3]	7491633
RA1442AC1	RGPE-05?BMK?	RCF4821STAM	40500 [11.9]	28900 [8.5]	11600 [3.4]	14	11.5	1200 [566.3]	7491832
RA1442AC1	RGPE-07?AMK?	RCF4821STAM	41000 [12.0]	29600 [8.7]	11400 [3.3]	14	12.2	1225 [578.1]	7491833
RA1442AC1	RGPE-07?BRQ?	RCF4821STAM	41500 [12.2]	30100 [8.8]	11400 [3.3]	15.1	12.5	1225 [578.1]	7491834
		RCF4824HTAM	43000 [12.6]	29600 [8.7]	13400 [3.9]	15.5	13	1225 [578.1]	7491861
		RCF4824STAM	41500 [12.2]	30100 [8.8]	11400 [3.3]	15.1	12.5	1225 [578.1]	7491881
RA1442AC1	RGPE-10?BRM?	RCF4821STAM	41500 [12.2]	30100 [8.8]	11400 [3.3]	15.1	12.5	1225 [578.1]	7491835
		RCF4824HTAM	43000 [12.6]	29600 [8.7]	13400 [3.9]	15.5	13	1225 [578.1]	7491862
		RCF4824STAM	41500 [12.2]	30100 [8.8]	11400 [3.3]	15.1	12.5	1225 [578.1]	7491882
RA1442AC1	RGPE-12?ARM?	RCF4824HTAM	43000 [12.6]	29400 [8.6]	13600 [4.0]	15.5	13	1200 [566.3]	7491863
		RCF4824STAM	41000 [12.0]	29400 [8.6]	11600 [3.4]	15.1	12.5	1200 [566.3]	7491883

[ ] Designates Metric Conversions

## Performance Data @ AHRI Standard Conditions – Cooling (con't.)

RGPE: Two-Stage, Variable Speed 80% (upflow/horizontal) furnace with Comfort Control System Ratings									
Outdoor Unit	Furnace	Indoor Coil	Total Capacity BTU/H [kW]	Net Sensible BTU/H [kW]	Net Latent BTU/H [kW]	SEER	EER	Indoor CFM [L/s]	AHRI#
RA1442AJ1	RGPE-05?BMK?	RCF4821STAM	40500 [11.9]	28900 [8.5]	11600 [3.4]	14	11.5	1200 [566.3]	7492007
RA1442AJ1	RGPE-07?AMK?	RCF4821STAM	41000 [12.0]	29600 [8.7]	11400 [3.3]	14	12.2	1225 [578.1]	7492008
RA1442AJ1	RGPE-07?BRQ?	RCF4821STAM	41500 [12.2]	30100 [8.8]	11400 [3.3]	15.1	12.5	1225 [578.1]	7492009
		RCF4824HTAM	43000 [12.6]	29600 [8.7]	13400 [3.9]	15.5	13	1225 [578.1]	7492036
		RCF4824STAM	41500 [12.2]	30100 [8.8]	11400 [3.3]	15.1	12.5	1225 [578.1]	7492056
RA1442AJ1	RGPE-10?BRM?	RCF4821STAM	41500 [12.2]	30100 [8.8]	11400 [3.3]	15.1	12.5	1225 [578.1]	7492010
		RCF4824HTAM	43000 [12.6]	29600 [8.7]	13400 [3.9]	15.5	13	1225 [578.1]	7492037
		RCF4824STAM	41500 [12.2]	30100 [8.8]	11400 [3.3]	15.1	12.5	1225 [578.1]	7492057
RA1442AJ1	RGPE-12?ARM?	RCF4824HTAM	43000 [12.6]	29400 [8.6]	13600 [4.0]	15.5	13	1200 [566.3]	7492038
		RCF4824STAM	41000 [12.0]	29400 [8.6]	11600 [3.4]	15.1	12.5	1200 [566.3]	7492058
RA1448AC1	RGPE-05?BMK?	RCF4821STAM	45000 [13.2]	31200 [9.1]	13800 [4.0]	14	11.7	1200 [566.3]	7492182
RA1448AC1	RGPE-07?AMK?	RCF4821STAM	45000 [13.2]	31400 [9.2]	13600 [4.0]	14	11.7	1225 [578.1]	7492183
RA1448AC1	RGPE-07?BRQ?	RCF4821STAM	45500 [13.3]	31900 [9.3]	13600 [4.0]	14.5	12	1225 [578.1]	7492184
		RCF4824HTAM	47500 [13.9]	33000 [9.7]	14500 [4.2]	14.5	12	1400 [660.7]	7492209
		RCF4824STAM	45500 [13.3]	31900 [9.3]	13600 [4.0]	14.5	12	1225 [578.1]	7492227
RA1448AC1	RGPE-10?BRM?	RCF4821STAM	45500 [13.3]	31900 [9.3]	13600 [4.0]	14.5	12	1225 [578.1]	7492185
		RCF4824HTAM	48000 [14.1]	34400 [10.1]	13600 [4.0]	14.5	12	1550 [731.5]	7492210
		RCF4824STAM	45500 [13.3]	31900 [9.3]	13600 [4.0]	14.5	12	1225 [578.1]	7492228
RA1448AC1	RGPE-12?ARM?	RCF4824HTAM	48000 [14.1]	33600 [9.8]	14400 [4.2]	15.1	12.5	1425 [672.5]	7492211
		RCF4824STAM	46000 [13.5]	33600 [9.8]	12400 [3.6]	14.5	12	1425 [672.5]	7492229
RA1448AJ1	RGPE-05?BMK?	RCF4821STAM	45000 [13.2]	31200 [9.1]	13800 [4.0]	14	11.7	1200 [566.3]	7492381
RA1448AJ1	RGPE-07?AMK?	RCF4821STAM	45000 [13.2]	31400 [9.2]	13600 [4.0]	14	11.7	1225 [578.1]	7492382
RA1448AJ1	RGPE-07?BRQ?	RCF4821STAM	45500 [13.3]	31900 [9.3]	13600 [4.0]	14.5	12	1225 [578.1]	7492383
		RCF4824HTAM	47500 [13.9]	33000 [9.7]	14500 [4.2]	14.5	12	1400 [660.7]	7492408
		RCF4824STAM	45500 [13.3]	31900 [9.3]	13600 [4.0]	14.5	12	1225 [578.1]	7492426
RA1448AJ1	RGPE-10?BRM?	RCF4821STAM	45500 [13.3]	31900 [9.3]	13600 [4.0]	14.5	12	1225 [578.1]	7492384
		RCF4824HTAM	48000 [14.1]	34400 [10.1]	13600 [4.0]	14.5	12	1550 [731.5]	7492409
		RCF4824STAM	45500 [13.3]	31900 [9.3]	13600 [4.0]	14.5	12	1225 [578.1]	7492427
RA1448AJ1	RGPE-12?ARM?	RCF4824HTAM	48000 [14.1]	33600 [9.8]	14400 [4.2]	15.1	12.5	1425 [672.5]	7492410
		RCF4824STAM	46000 [13.5]	33600 [9.8]	12400 [3.6]	14.5	12	1425 [672.5]	7492428
RA1460AC1	RGPE-10?BRM?	RCF6024HTAM	57500 [16.9]	40800 [12.0]	16700 [4.9]	14	11.7	1625 [766.9]	7492577
		RCF6024STAM	57500 [16.9]	40800 [12.0]	16700 [4.9]	14	11.7	1625 [766.9]	7492586
RA1460AC1	RGPE-12?ARM?	RCF6024HTAM	56500 [16.6]	38300 [11.2]	18200 [5.3]	14.5	12	1425 [672.5]	7492578
		RCF6024STAM	56500 [16.6]	38300 [11.2]	18200 [5.3]	14.5	12	1425 [672.5]	7492587
RA1460AJ1	RGPE-10?BRM?	RCF6024HTAM	57500 [16.9]	40800 [12.0]	16700 [4.9]	14	11.7	1625 [766.9]	7492633
		RCF6024STAM	57500 [16.9]	40800 [12.0]	16700 [4.9]	14	11.7	1625 [766.9]	7492642

[ ] Designates Metric Conversions

## Performance Data @ AHRI Standard Conditions – Cooling (con't.)

RGPE: Two-Stage, Variable Speed 80% (upflow/horizontal) furnace with Comfort Control System Ratings									
Outdoor Unit	Furnace	Indoor Coil	Total Capacity BTU/H [kW]	Net Sensible BTU/H [kW]	Net Latent BTU/H [kW]	SEER	EER	Indoor CFM [L/s]	AHRI#
RA1460AJ1	RGPE-12?ARM?	RCF6024HTAM	56500 [16.6]	38300 [11.2]	18200 [5.3]	14.5	12	1425 [672.5]	7492634
		RCF6024STAM	56500 [16.6]	38300 [11.2]	18200 [5.3]	14.5	12	1425 [672.5]	7492643

RGLE: Two Stage Downflow Constant CFM 80% Furnace Ratings									
Outdoor Unit	Furnace	Indoor Coil	Total Capacity BTU/H [kW]	Net Sensible BTU/H [kW]	Net Latent BTU/H [kW]	SEER	EER	Indoor CFM [L/s]	AHRI#
RA1430AJ1	RGLE-12?ARM?	RCF3624HTAM	32000 [9.4]	23700 [6.9]	8300 [2.4]	16	13	1075 [507.3]	7491051
RA1436AC1	RGLE-12?ARM?	RCF3624HTAM	39000 [11.4]	28500 [8.4]	10500 [3.1]	16	13	1225 [578.1]	7491322
RA1436AJ1	RGLE-12?ARM?	RCF3624HTAM	39000 [11.4]	28500 [8.4]	10500 [3.1]	16	13	1225 [578.1]	7491613
RA1442AC1	RGLE-12?ARM?	RCF4824HTAM	43000 [12.6]	29600 [8.7]	13400 [3.9]	15.5	13	1225 [578.1]	7491860
RA1442AJ1	RGLE-12?ARM?	RCF4824HTAM	43000 [12.6]	29600 [8.7]	13400 [3.9]	15.5	13	1225 [578.1]	7492035
RA1448AC1	RGLE-12?ARM?	RCF4824HTAM	48000 [14.1]	33600 [9.8]	14400 [4.2]	15.1	12.5	1425 [672.5]	7492208
RA1448AJ1	RGLE-12?ARM?	RCF4824HTAM	48000 [14.1]	33600 [9.8]	14400 [4.2]	15.1	12.5	1425 [672.5]	7492407
RA1460AC1	RGLE-12?ARM?	RCF6024HTAM	56500 [16.6]	38300 [11.2]	18200 [5.3]	14.5	12	1425 [672.5]	7492576
RA1460AJ1	RGLE-12?ARM?	RCF6024HTAM	56500 [16.6]	38300 [11.2]	18200 [5.3]	14.5	12	1425 [672.5]	7492632

[ ] Designates Metric Conversions

## Performance Data @ AHRI Standard Conditions – Cooling (con't.)

R95T: 95% AFUE single-stage Constant Torque Multipoise Gas Furnace Ratings									
Outdoor Unit	Furnace	Indoor Coil	Total Capacity BTU/H [kW]	Net Sensible BTU/H [kW]	Net Latent BTU/H [kW]	SEER	EER	Indoor CFM [L/s]	AHRI#
RA1418AJ1	R95TA0601317MSA	RCF2417MTAM	18700 [5.5]	14800 [4.3]	3900 [1.1]	15.5	13	700 [330.4]	7490533
		RCF2417STAM	18700 [5.5]	14500 [4.2]	4200 [1.2]	15.5	13	700 [330.4]	7490547
		RCF2421MTAM	18700 [5.5]	14800 [4.3]	3900 [1.1]	15.5	13	700 [330.4]	7490581
		RCF2421HTAM	18700 [5.5]	14800 [4.3]	3900 [1.1]	15.5	13	700 [330.4]	7490561
RA1424AJ1	R95TA0601317MSA	RCF2417HTAM	25800 [7.6]	19100 [5.6]	6700 [2.0]	15.5	13	850 [401.2]	7490732
		RCF2417MTAM	25800 [7.6]	19100 [5.6]	6700 [2.0]	15.5	13	850 [401.2]	7490748
		RCF2417STAM	24000 [7.0]	17900 [5.2]	6100 [1.8]	15.1	12.5	700 [330.4]	7490764
RA1424AJ1	R95TA0701317MSA	RCF2417HTAM	25800 [7.6]	19100 [5.6]	6700 [2.0]	15.5	13	850 [401.2]	7490733
		RCF2417MTAM	25800 [7.6]	19100 [5.6]	6700 [2.0]	15.5	13	850 [401.2]	7490749
		RCF2417STAM	25000 [7.3]	19500 [5.7]	5500 [1.6]	14.5	12.2	925 [436.6]	7490765
		RCF2421MTAM	25800 [7.6]	19100 [5.6]	6700 [2.0]	15.5	13	850 [401.2]	7490807
RA1424AJ1	R95TA0601317MSA	RCF2421HTAM	25800 [7.6]	19100 [5.6]	6700 [2.0]	15.5	13	850 [401.2]	7490780
RA1424AJ1	R95TA0701317MSA	RCF2421HTAM	25800 [7.6]	19100 [5.6]	6700 [2.0]	15.5	13	850 [401.2]	7490781
RA1430AJ1	R95TA0601317MSA	RCF3617STAM	28400 [8.3]	20900 [6.1]	7500 [2.2]	15	12.5	850 [401.2]	7490967
		RCF3621MTAM	30200 [8.9]	21700 [6.4]	8500 [2.5]	15.5	13	900 [424.8]	7490983
		RCF3621STAM	28600 [8.4]	21200 [6.2]	7400 [2.2]	15	12.5	900 [424.8]	7491011
RA1430AJ1	R95TA0701317MSA	RCF3617STAM	28600 [8.4]	21300 [6.2]	7300 [2.1]	14.5	12.2	925 [436.6]	7490968
		RCF3621MTAM	30400 [8.9]	22100 [6.5]	8300 [2.4]	15.5	13	950 [448.4]	7490984
		RCF3621STAM	28600 [8.4]	21300 [6.2]	7300 [2.1]	14.5	12.2	925 [436.6]	7491012
RA1436AC1	R95TA0601317MSA	RCF3617STAM	34200 [10.0]	24400 [7.2]	9800 [2.9]	14	12.2	1000 [471.9]	7491238
		RCF3621MTAM	36400 [10.7]	25200 [7.4]	11200 [3.3]	15.1	12.5	1050 [495.5]	7491254
		RCF3621STAM	34400 [10.1]	24700 [7.2]	9700 [2.8]	14.5	12.2	1025 [483.7]	7491282
RA1436AC1	R95TA0701317MSA	RCF3617STAM	34400 [10.1]	24700 [7.2]	9700 [2.8]	14	12.2	1025 [483.7]	7491239
		RCF3621MTAM	36400 [10.7]	25200 [7.4]	11200 [3.3]	15.1	12.5	1075 [507.3]	7491255
		RCF3621STAM	33800 [9.9]	23700 [6.9]	10100 [3.0]	14.5	12.2	925 [436.6]	7491283
RA1436AJ1	R95TA0601317MSA	RCF3617STAM	34200 [10.0]	24400 [7.2]	9800 [2.9]	14	12.2	1000 [471.9]	7491529
		RCF3621MTAM	36400 [10.7]	25200 [7.4]	11200 [3.3]	15.1	12.5	1050 [495.5]	7491545
		RCF3621STAM	34400 [10.1]	24700 [7.2]	9700 [2.8]	14.5	12.2	1025 [483.7]	7491573
RA1436AJ1	R95TA0701317MSA	RCF3617STAM	34400 [10.1]	24700 [7.2]	9700 [2.8]	14	12.2	1025 [483.7]	7491530
		RCF3621MTAM	36400 [10.7]	25200 [7.4]	11200 [3.3]	15.1	12.5	1075 [507.3]	7491546
		RCF3621STAM	33800 [9.9]	23700 [6.9]	10100 [3.0]	14.5	12.2	925 [436.6]	7491574
RA1442AC1	R95TA0601317MSA	RCF4821STAM	40500 [11.9]	29100 [8.5]	11400 [3.3]	14	11.5	1225 [578.1]	7491820
RA1442AC1	R95TA0701317MSA	RCF4821STAM	40500 [11.9]	28500 [8.4]	12000 [3.5]	14	11.5	1125 [530.9]	7491821
RA1442AC1	R95TA0851521MSA	RCF4821STAM	41500 [12.2]	30600 [9.0]	10900 [3.2]	14	12.2	1325 [625.3]	7491822
		RCF4824HTAM	43000 [12.6]	30300 [8.9]	12700 [3.7]	15	12.5	1350 [637.1]	7491846
		RCF4824STAM	41500 [12.2]	30600 [9.0]	10900 [3.2]	14	12.2	1325 [625.3]	7491870
RA1442AC1	R95TA1001521MSA	RCF4821STAM	42000 [12.3]	31500 [9.2]	10500 [3.1]	14	12.2	1400 [660.7]	7491823
		RCF4824HTAM	43500 [12.7]	31700 [9.3]	11800 [3.5]	14.5	12.2	1500 [707.9]	7491847
		RCF4824STAM	42000 [12.3]	31500 [9.2]	10500 [3.1]	14	12.2	1400 [660.7]	7491871
RA1442AC1	R95TA1151524MSA	RCF4824HTAM	43000 [12.6]	30000 [8.8]	13000 [3.8]	15	12.5	1300 [613.5]	7491848
		RCF4824STAM	41000 [12.0]	29900 [8.8]	11100 [3.3]	14.5	12.2	1275 [601.7]	7491872
RA1442AJ1	R95TA0601317MSA	RCF4821STAM	40500 [11.9]	29100 [8.5]	11400 [3.3]	14	11.5	1225 [578.1]	7491995

[ ] Designates Metric Conversions

## Performance Data @ AHRI Standard Conditions – Cooling (con't.)

R95T: 95% AFUE single-stage Constant Torque Multipoise Gas Furnace Ratings									
Outdoor Unit	Furnace	Indoor Coil	Total Capacity BTU/H [kW]	Net Sensible BTU/H [kW]	Net Latent BTU/H [kW]	SEER	EER	Indoor CFM [L/s]	AHRI#
RA1442AJ1	R95TA0701317MSA	RCF4821STAM	40500 [11.9]	28500 [8.4]	12000 [3.5]	14	11.5	1125 [530.9]	7491996
RA1442AJ1	R95TA0851521MSA	RCF4821STAM	41500 [12.2]	30600 [9.0]	10900 [3.2]	14	12.2	1325 [625.3]	7491997
		RCF4824HTAM	43000 [12.6]	30300 [8.9]	12700 [3.7]	15	12.5	1350 [637.1]	7492021
		RCF4824STAM	41500 [12.2]	30600 [9.0]	10900 [3.2]	14	12.2	1325 [625.3]	7492045
RA1442AJ1	R95TA1001521MSA	RCF4821STAM	42000 [12.3]	31500 [9.2]	10500 [3.1]	14	12.2	1400 [660.7]	7491998
		RCF4824HTAM	43500 [12.7]	31700 [9.3]	11800 [3.5]	14.5	12.2	1500 [707.9]	7492022
		RCF4824STAM	42000 [12.3]	31500 [9.2]	10500 [3.1]	14	12.2	1400 [660.7]	7492046
RA1442AJ1	R95TA1151524MSA	RCF4824HTAM	43000 [12.6]	30000 [8.8]	13000 [3.8]	15	12.5	1300 [613.5]	7492023
		RCF4824STAM	41000 [12.0]	29900 [8.8]	11100 [3.3]	14.5	12.2	1275 [601.7]	7492047
RA1448AC1	R95TA0601317MSA	RCF4821STAM	45000 [13.2]	31400 [9.2]	13600 [4.0]	14	11.7	1225 [578.1]	7492171
RA1448AC1	R95TA0851521MSA	RCF4821STAM	45500 [13.3]	32900 [9.6]	12600 [3.7]	14	11.7	1400 [660.7]	7492172
		RCF4824HTAM	47500 [13.9]	33300 [9.8]	14200 [4.2]	14.5	12	1450 [684.3]	7492194
		RCF4824STAM	45500 [13.3]	32900 [9.6]	12600 [3.7]	14	11.7	1400 [660.7]	7492216
RA1448AC1	R95TA1001521MSA	RCF4821STAM	46000 [13.5]	33700 [9.9]	12300 [3.6]	14	11.7	1450 [684.3]	7492173
		RCF4824HTAM	47500 [13.9]	33100 [9.7]	14400 [4.2]	14.5	12	1425 [672.5]	7492195
		RCF4824STAM	46000 [13.5]	33700 [9.9]	12300 [3.6]	14	11.7	1450 [684.3]	7492217
RA1448AC1	R95TA1151524MSA	RCF4824HTAM	47500 [13.9]	33100 [9.7]	14400 [4.2]	14.5	12	1425 [672.5]	7492196
		RCF4824STAM	46000 [13.5]	33400 [9.8]	12600 [3.7]	14	11.7	1400 [660.7]	7492218
RA1448AJ1	R95TA0601317MSA	RCF4821STAM	45000 [13.2]	31400 [9.2]	13600 [4.0]	14	11.7	1225 [578.1]	7492370
RA1448AJ1	R95TA0851521MSA	RCF4821STAM	45500 [13.3]	32900 [9.6]	12600 [3.7]	14	11.7	1400 [660.7]	7492371
		RCF4824HTAM	47500 [13.9]	33300 [9.8]	14200 [4.2]	14.5	12	1450 [684.3]	7492393
		RCF4824STAM	45500 [13.3]	32900 [9.6]	12600 [3.7]	14	11.7	1400 [660.7]	7492415
RA1448AJ1	R95TA1001521MSA	RCF4821STAM	46000 [13.5]	33700 [9.9]	12300 [3.6]	14	11.7	1450 [684.3]	7492372
		RCF4824HTAM	47500 [13.9]	33100 [9.7]	14400 [4.2]	14.5	12	1425 [672.5]	7492394
		RCF4824STAM	46000 [13.5]	33700 [9.9]	12300 [3.6]	14	11.7	1450 [684.3]	7492416
RA1448AJ1	R95TA1151524MSA	RCF4824HTAM	47500 [13.9]	33100 [9.7]	14400 [4.2]	14.5	12	1425 [672.5]	7492395
		RCF4824STAM	46000 [13.5]	33400 [9.8]	12600 [3.7]	14	11.7	1400 [660.7]	7492417
RA1460AC1	R95TA0851521MSA	RCF6024HTAM	56500 [16.6]	38400 [11.3]	18100 [5.3]	14	11.7	1450 [684.3]	7492569
		RCF6024STAM	56500 [16.6]	38400 [11.3]	18100 [5.3]	14	11.7	1450 [684.3]	7492581
RA1460AC1	R95TA1001521MSA	RCF6024HTAM	57000 [16.7]	39700 [11.6]	17300 [5.1]	14	11.7	1550 [731.5]	7492570
		RCF6024STAM	57000 [16.7]	39700 [11.6]	17300 [5.1]	14	11.7	1550 [731.5]	7492582
RA1460AJ1	R95TA0851521MSA	RCF6024HTAM	56500 [16.6]	38400 [11.3]	18100 [5.3]	14	11.7	1450 [684.3]	7492625
		RCF6024STAM	56500 [16.6]	38400 [11.3]	18100 [5.3]	14	11.7	1450 [684.3]	7492637
RA1460AJ1	R95TA1001521MSA	RCF6024HTAM	57000 [16.7]	39700 [11.6]	17300 [5.1]	14	11.7	1550 [731.5]	7492626
		RCF6024STAM	57000 [16.7]	39700 [11.6]	17300 [5.1]	14	11.7	1550 [731.5]	7492638

[ ] Designates Metric Conversions

## Performance Data @ AHRI Standard Conditions – Cooling (con't.)

R96V: 96% AFUE 2-stage Variable Speed Multipoise Gas Furnace Ratings									
Outdoor Unit	Furnace	Indoor Coil	Total Capacity BTU/H [kW]	Net Sensible BTU/H [kW]	Net Latent BTU/H [kW]	SEER	EER	Indoor CFM [L/s]	AHRI#
RA1418AJ1	R96VA0602317MSA	RCF2417HTAM	18700 [5.5]	14800 [4.3]	3900 [1.1]	15.5	13	700 [330.4]	7490520
		RCF2417MTAM	18700 [5.5]	14800 [4.3]	3900 [1.1]	15.5	13	700 [330.4]	7490534
		RCF2417STAM	17800 [5.2]	13300 [3.9]	4500 [1.3]	15.5	13	525 [247.8]	7490548
		RCF2421MTAM	18700 [5.5]	14800 [4.3]	3900 [1.1]	15.5	13	700 [330.4]	7490582
RA1418AJ1	R96VA0702317MSA	RCF2417HTAM	18800 [5.5]	14900 [4.4]	3900 [1.1]	16	13	700 [330.4]	7490521
		RCF2417MTAM	18700 [5.5]	14800 [4.3]	3900 [1.1]	16	13	700 [330.4]	7490535
		RCF2417STAM	18700 [5.5]	14500 [4.2]	4200 [1.2]	15.5	13	700 [330.4]	7490549
		RCF2421MTAM	18700 [5.5]	14800 [4.3]	3900 [1.1]	16	13	700 [330.4]	7490583
RA1418AJ1	R96VA1002521MSA	RCF2421MTAM	18800 [5.5]	14900 [4.4]	3900 [1.1]	16	13	700 [330.4]	7490584
RA1418AJ1	R96VA0602317MSA	RCF2421HTAM	18700 [5.5]	14800 [4.3]	3900 [1.1]	15.5	13	700 [330.4]	7490562
RA1418AJ1	R96VA0702317MSA	RCF2421HTAM	18700 [5.5]	14800 [4.3]	3900 [1.1]	16	13	700 [330.4]	7490563
RA1418AJ1	R96VA1002521MSA	RCF2421HTAM	18800 [5.5]	14900 [4.4]	3900 [1.1]	16	13	700 [330.4]	7490564
RA1424AJ1	R96VA0602317MSA	RCF2417HTAM	25600 [7.5]	18800 [5.5]	6800 [2.0]	15.5	13	800 [377.6]	7490734
		RCF2417MTAM	25600 [7.5]	18800 [5.5]	6800 [2.0]	15.5	13	800 [377.6]	7490750
		RCF2417STAM	24000 [7.0]	17900 [5.2]	6100 [1.8]	15.1	12.5	700 [330.4]	7490766
		RCF2421MTAM	25600 [7.5]	18800 [5.5]	6800 [2.0]	15.5	13	800 [377.6]	7490808
RA1424AJ1	R96VA0702317MSA	RCF2417HTAM	26000 [7.6]	19400 [5.7]	6600 [1.9]	15.5	13	875 [413.0]	7490735
		RCF2417MTAM	26000 [7.6]	19400 [5.7]	6600 [1.9]	15.5	13	875 [413.0]	7490751
		RCF2417STAM	24800 [7.3]	19100 [5.6]	5700 [1.7]	15.1	12.5	875 [413.0]	7490767
		RCF2421MTAM	26000 [7.6]	19400 [5.7]	6600 [1.9]	15.5	13	875 [413.0]	7490809
RA1424AJ1	R96VA0852521MSB	RCF2421MTAM	26200 [7.7]	19700 [5.8]	6500 [1.9]	15.5	13	900 [424.8]	7490810
RA1424AJ1	R96VA1002521MSA	RCF2421MTAM	25800 [7.6]	19000 [5.6]	6800 [2.0]	16	13	800 [377.6]	7490811
RA1424AJ1	R96VA0602317MSA	RCF2421HTAM	25600 [7.5]	18800 [5.5]	6800 [2.0]	15.5	13	800 [377.6]	7490782
RA1424AJ1	R96VA0702317MSA	RCF2421HTAM	26000 [7.6]	19400 [5.7]	6600 [1.9]	15.5	13	875 [413.0]	7490783
RA1424AJ1	R96VA0852521MSB	RCF2421HTAM	26200 [7.7]	19700 [5.8]	6500 [1.9]	15.5	13	900 [424.8]	7490784
RA1424AJ1	R96VA1002521MSA	RCF2421HTAM	25800 [7.6]	19000 [5.6]	6800 [2.0]	16	13	800 [377.6]	7490785
RA1430AJ1	R96VA0602317MSA	RCF3617STAM	28200 [8.3]	20500 [6.0]	7700 [2.3]	15.1	12.5	800 [377.6]	7490969
		RCF3621MTAM	29800 [8.7]	21000 [6.2]	8800 [2.6]	15.5	13	800 [377.6]	7490985
		RCF3621STAM	28200 [8.3]	20500 [6.0]	7700 [2.3]	15.1	12.5	800 [377.6]	7491013
RA1430AJ1	R96VA0702317MSA	RCF3617STAM	28600 [8.4]	21200 [6.2]	7400 [2.2]	15.1	12.5	875 [413.0]	7490970
		RCF3621MTAM	30200 [8.9]	21600 [6.3]	8600 [2.5]	16	13	875 [413.0]	7490986
		RCF3621STAM	28600 [8.4]	21200 [6.2]	7400 [2.2]	15.1	12.5	875 [413.0]	7491014
RA1430AJ1	R96VA0852521MSB	RCF3621MTAM	30600 [9.0]	22500 [6.6]	8100 [2.4]	16	13	1025 [483.7]	7490987
		RCF3621STAM	28800 [8.4]	21400 [6.3]	7400 [2.2]	15.1	12.5	900 [424.8]	7491015
		RCF3624HTAM	31400 [9.2]	22800 [6.7]	8600 [2.5]	16	13	1025 [483.7]	7491040
		RCF3624MTAM	30600 [9.0]	22500 [6.6]	8100 [2.4]	16	13	1025 [483.7]	7491061

[ ] Designates Metric Conversions

## Performance Data @ AHRI Standard Conditions – Cooling (con't.)

R96V: 96% AFUE 2-stage Variable Speed Multipoise Gas Furnace Ratings									
Outdoor Unit	Furnace	Indoor Coil	Total Capacity BTU/H [kW]	Net Sensible BTU/H [kW]	Net Latent BTU/H [kW]	SEER	EER	Indoor CFM [L/s]	AHRI#
RA1430AJ1	R96VA1002521MSA	RCF3621MTAM	31000 [9.1]	23100 [6.8]	7900 [2.3]	16	13	1050 [495.5]	7490988
		RCF3621STAM	28400 [8.3]	20700 [6.1]	7700 [2.3]	15.5	13	800 [377.6]	7491016
		RCF3624HTAM	31600 [9.3]	23200 [6.8]	8400 [2.5]	16	13	1050 [495.5]	7491041
		RCF3624MTAM	31000 [9.1]	23100 [6.8]	7900 [2.3]	16	13	1050 [495.5]	7491062
RA1436AC1	R96VA0602317MSA	RCF3617STAM	34400 [10.1]	24800 [7.3]	9600 [2.8]	14	12.2	1050 [495.5]	7491240
		RCF3621MTAM	36600 [10.7]	25400 [7.4]	11200 [3.3]	15.1	12.5	1050 [495.5]	7491256
		RCF3621STAM	34400 [10.1]	24800 [7.3]	9600 [2.8]	14.5	12.2	1050 [495.5]	7491284
RA1436AC1	R96VA0702317MSA	RCF3617STAM	34400 [10.1]	24800 [7.3]	9600 [2.8]	14.5	12.2	1050 [495.5]	7491241
		RCF3621MTAM	36600 [10.7]	25400 [7.4]	11200 [3.3]	15.5	13	1050 [495.5]	7491257
		RCF3621STAM	34600 [10.1]	25000 [7.3]	9600 [2.8]	14.5	12.2	1050 [495.5]	7491285
RA1436AC1	R96VA0852521MSB	RCF3621MTAM	37400 [11.0]	26900 [7.9]	10500 [3.1]	15.5	13	1200 [566.3]	7491258
		RCF3621STAM	34600 [10.1]	24900 [7.3]	9700 [2.8]	15	12.5	1025 [483.7]	7491286
		RCF3624HTAM	39000 [11.4]	28700 [8.4]	10300 [3.0]	16	13	1275 [601.7]	7491311
		RCF3624MTAM	37400 [11.0]	26900 [7.9]	10500 [3.1]	15.5	13	1200 [566.3]	7491332
RA1436AC1	R96VA1002521MSA	RCF3621MTAM	37600 [11.0]	27200 [8.0]	10400 [3.0]	15.5	13	1225 [578.1]	7491259
		RCF3621STAM	34000 [10.0]	23900 [7.0]	10100 [3.0]	15.1	12.5	925 [436.6]	7491287
		RCF3624HTAM	39500 [11.6]	29500 [8.6]	10000 [2.9]	16	13	1325 [625.3]	7491312
		RCF3624MTAM	37600 [11.0]	27200 [8.0]	10400 [3.0]	15.5	13	1225 [578.1]	7491333
RA1436AJ1	R96VA0602317MSA	RCF3617STAM	34400 [10.1]	24800 [7.3]	9600 [2.8]	14	12.2	1050 [495.5]	7491531
		RCF3621MTAM	36600 [10.7]	25400 [7.4]	11200 [3.3]	15.1	12.5	1050 [495.5]	7491547
		RCF3621STAM	34400 [10.1]	24800 [7.3]	9600 [2.8]	14.5	12.2	1050 [495.5]	7491575
RA1436AJ1	R96VA0702317MSA	RCF3617STAM	34400 [10.1]	24800 [7.3]	9600 [2.8]	14.5	12.2	1050 [495.5]	7491532
		RCF3621MTAM	36600 [10.7]	25400 [7.4]	11200 [3.3]	15.5	13	1050 [495.5]	7491548
		RCF3621STAM	34600 [10.1]	25000 [7.3]	9600 [2.8]	14.5	12.2	1050 [495.5]	7491576
RA1436AJ1	R96VA0852521MSB	RCF3621MTAM	37400 [11.0]	26900 [7.9]	10500 [3.1]	15.5	13	1200 [566.3]	7491549
		RCF3621STAM	34600 [10.1]	24900 [7.3]	9700 [2.8]	15	12.5	1025 [483.7]	7491577
		RCF3624HTAM	39000 [11.4]	28700 [8.4]	10300 [3.0]	16	13	1275 [601.7]	7491602
		RCF3624MTAM	37400 [11.0]	26900 [7.9]	10500 [3.1]	15.5	13	1200 [566.3]	7491623
RA1436AJ1	R96VA1002521MSA	RCF3621MTAM	37600 [11.0]	27200 [8.0]	10400 [3.0]	15.5	13	1225 [578.1]	7491550
		RCF3621STAM	34000 [10.0]	23900 [7.0]	10100 [3.0]	15.1	12.5	925 [436.6]	7491578
		RCF3624HTAM	39500 [11.6]	29500 [8.6]	10000 [2.9]	16	13	1325 [625.3]	7491603
		RCF3624MTAM	37600 [11.0]	27200 [8.0]	10400 [3.0]	15.5	13	1225 [578.1]	7491624

[ ] Designates Metric Conversions

## Performance Data @ AHRI Standard Conditions – Cooling (con't.)

R96V: 96% AFUE 2-stage Variable Speed Multipoise Gas Furnace Ratings									
Outdoor Unit	Furnace	Indoor Coil	Total Capacity BTU/H [kW]	Net Sensible BTU/H [kW]	Net Latent BTU/H [kW]	SEER	EER	Indoor CFM [L/s]	AHRI#
RA1442AC1	R96VA0852521MSB	RCF4821STAM	41500 [12.2]	30400 [8.9]	11100 [3.3]	14.5	12.2	1275 [601.7]	7491824
		RCF4824HTAM	43000 [12.6]	29800 [8.7]	13200 [3.9]	15.1	12.5	1275 [601.7]	7491849
		RCF4824STAM	41500 [12.2]	30400 [8.9]	11100 [3.3]	14.5	12.2	1275 [601.7]	7491873
RA1442AC1	R96VA1002521MSA	RCF4821STAM	42000 [12.3]	31500 [9.2]	10500 [3.1]	14.5	12.2	1400 [660.7]	7491825
		RCF4824HTAM	43500 [12.7]	31000 [9.1]	12500 [3.7]	15.1	12.5	1400 [660.7]	7491850
		RCF4824STAM	42000 [12.3]	31500 [9.2]	10500 [3.1]	14.5	12.2	1400 [660.7]	7491874
RA1442AJ1	R96VA0852521MSB	RCF4821STAM	41500 [12.2]	30400 [8.9]	11100 [3.3]	14.5	12.2	1275 [601.7]	7491999
RA1442AJ1	R96VA1002521MSA	RCF4821STAM	42000 [12.3]	31500 [9.2]	10500 [3.1]	14.5	12.2	1400 [660.7]	7492000
		RCF4824HTAM	43500 [12.7]	31000 [9.1]	12500 [3.7]	15.1	12.5	1400 [660.7]	7492025
		RCF4824STAM	42000 [12.3]	31500 [9.2]	10500 [3.1]	14.5	12.2	1400 [660.7]	7492049
RA1448AC1	R96VA0852521MSB	RCF4821STAM	45000 [13.2]	31200 [9.1]	13800 [4.0]	14.5	12	1200 [566.3]	7492174
		RCF4824HTAM	47000 [13.8]	32200 [9.4]	14800 [4.3]	14.5	12	1350 [637.1]	7492197
		RCF4824STAM	45000 [13.2]	31200 [9.1]	13800 [4.0]	14.5	12	1200 [566.3]	7492219
RA1448AC1	R96VA1002521MSA	RCF4821STAM	45500 [13.3]	31900 [9.3]	13600 [4.0]	14.5	12	1225 [578.1]	7492175
		RCF4824HTAM	47000 [13.8]	32000 [9.4]	15000 [4.4]	15	12.5	1325 [625.3]	7492198
		RCF4824STAM	45500 [13.3]	31900 [9.3]	13600 [4.0]	14.5	12	1225 [578.1]	7492220
RA1448AJ1	R96VA0852521MSB	RCF4821STAM	45000 [13.2]	31200 [9.1]	13800 [4.0]	14.5	12	1200 [566.3]	7492373
		RCF4824HTAM	47000 [13.8]	32200 [9.4]	14800 [4.3]	14.5	12	1350 [637.1]	7492396
		RCF4824STAM	45000 [13.2]	31200 [9.1]	13800 [4.0]	14.5	12	1200 [566.3]	7492418
RA1448AJ1	R96VA1002521MSA	RCF4821STAM	45500 [13.3]	31900 [9.3]	13600 [4.0]	14.5	12	1225 [578.1]	7492374
		RCF4824HTAM	47000 [13.8]	32000 [9.4]	15000 [4.4]	15	12.5	1325 [625.3]	7492397
		RCF4824STAM	45500 [13.3]	31900 [9.3]	13600 [4.0]	14.5	12	1225 [578.1]	7492419

[ ] Designates Metric Conversions

## Performance Data @ AHRI Standard Conditions – Cooling (con't.)

RGFG: 95 Plus Communicating Modulating Upflow Gas Furnace equipped with Comfort Control, ECM Ratings									
Outdoor Unit	Furnace	Indoor Coil	Total Capacity BTU/H [kW]	Net Sensible BTU/H [kW]	Net Latent BTU/H [kW]	SEER	EER	Indoor CFM [L/s]	AHRI#
RA1418AJ1	RGFG-06?MCK?	RCF2417HTAM	18200 [5.3]	14100 [4.1]	4100 [1.2]	16	13	575 [271.4]	7490522
		RCF2417MTAM	18200 [5.3]	14100 [4.1]	4100 [1.2]	16	13	575 [271.4]	7490536
		RCF2417STAM	18200 [5.3]	13700 [4.0]	4500 [1.3]	15.5	13	575 [271.4]	7490550
		RCF2421MTAM	18200 [5.3]	14100 [4.1]	4100 [1.2]	16	13	575 [271.4]	7490585
RA1418AJ1	RGFG-07?MCK?	RCF2417HTAM	18500 [5.4]	14500 [4.2]	4000 [1.2]	16	13	650 [306.8]	7490523
		RCF2417MTAM	18500 [5.4]	14500 [4.2]	4000 [1.2]	16	13	650 [306.8]	7490537
		RCF2417STAM	18500 [5.4]	14200 [4.2]	4300 [1.3]	15.5	13	650 [306.8]	7490551
		RCF2421MTAM	18500 [5.4]	14500 [4.2]	4000 [1.2]	16	13	650 [306.8]	7490586
RA1418AJ1	RGFG-09?ZCM?	RCF2421MTAM	18700 [5.5]	14800 [4.3]	3900 [1.1]	16	13	675 [318.6]	7490587
RA1418AJ1	RGFG-10?ZCM?	RCF2421MTAM	18400 [5.4]	14300 [4.2]	4100 [1.2]	16	13	600 [283.2]	7490588
RA1418AJ1	RGFG-06?MCK?	RCF2421HTAM	18200 [5.3]	14100 [4.1]	4100 [1.2]	16	13	575 [271.4]	7490565
RA1418AJ1	RGFG-07?MCK?	RCF2421HTAM	18500 [5.4]	14500 [4.2]	4000 [1.2]	16	13	650 [306.8]	7490566
RA1418AJ1	RGFG-09?ZCM?	RCF2421HTAM	18700 [5.5]	14800 [4.3]	3900 [1.1]	16	13	675 [318.6]	7490567
RA1418AJ1	RGFG-10?ZCM?	RCF2421HTAM	18400 [5.4]	14300 [4.2]	4100 [1.2]	16	13	600 [283.2]	7490568
RA1424AJ1	RGFG-06?MCK?	RCF2417HTAM	25600 [7.5]	18800 [5.5]	6800 [2.0]	15.5	13	800 [377.6]	7490736
		RCF2417MTAM	25600 [7.5]	18800 [5.5]	6800 [2.0]	15.5	13	800 [377.6]	7490752
		RCF2417STAM	24400 [7.2]	18500 [5.4]	5900 [1.7]	15.1	12.5	800 [377.6]	7490768
		RCF2421MTAM	25600 [7.5]	18800 [5.5]	6800 [2.0]	15.5	13	800 [377.6]	7490812
RA1424AJ1	RGFG-07?MCK?	RCF2417HTAM	26000 [7.6]	19300 [5.7]	6700 [2.0]	15.5	13	850 [401.2]	7490737
		RCF2417MTAM	25800 [7.6]	19100 [5.6]	6700 [2.0]	15.5	13	850 [401.2]	7490753
		RCF2417STAM	24600 [7.2]	18900 [5.5]	5700 [1.7]	15.1	12.5	850 [401.2]	7490769
		RCF2421MTAM	25800 [7.6]	19100 [5.6]	6700 [2.0]	15.5	13	850 [401.2]	7490813
RA1424AJ1	RGFG-09?ZCM?	RCF2421MTAM	25800 [7.6]	18800 [5.5]	7000 [2.1]	16	13	775 [365.8]	7490814
RA1424AJ1	RGFG-10?ZCM?	RCF2421MTAM	25800 [7.6]	19000 [5.6]	6800 [2.0]	16	13	800 [377.6]	7490815
RA1424AJ1	RGFG-06?MCK?	RCF2421HTAM	25600 [7.5]	18800 [5.5]	6800 [2.0]	15.5	13	800 [377.6]	7490786
RA1424AJ1	RGFG-07?MCK?	RCF2421HTAM	25800 [7.6]	19100 [5.6]	6700 [2.0]	15.5	13	850 [401.2]	7490787
RA1424AJ1	RGFG-09?ZCM?	RCF2421HTAM	25800 [7.6]	18800 [5.5]	7000 [2.1]	16	13	775 [365.8]	7490788
RA1424AJ1	RGFG-10?ZCM?	RCF2421HTAM	25800 [7.6]	19000 [5.6]	6800 [2.0]	16	13	800 [377.6]	7490789
RA1430AJ1	RGFG-06?MCK?	RCF3617STAM	28200 [8.3]	20500 [6.0]	7700 [2.3]	15.1	12.5	800 [377.6]	7490971
		RCF3621MTAM	29800 [8.7]	21000 [6.2]	8800 [2.6]	16	13	800 [377.6]	7490989
		RCF3621STAM	28400 [8.3]	20700 [6.1]	7700 [2.3]	15.1	12.5	800 [377.6]	7491017
RA1430AJ1	RGFG-07?MCK?	RCF3617STAM	28400 [8.3]	20900 [6.1]	7500 [2.2]	15.1	12.5	850 [401.2]	7490972
		RCF3621MTAM	30000 [8.8]	21300 [6.2]	8700 [2.5]	16	13	850 [401.2]	7490990
		RCF3621STAM	28600 [8.4]	21100 [6.2]	7500 [2.2]	15.1	12.5	850 [401.2]	7491018
RA1430AJ1	RGFG-09?ZCM?	RCF3621MTAM	30800 [9.0]	22500 [6.6]	8300 [2.4]	16	13	975 [460.1]	7490991
		RCF3621STAM	28200 [8.3]	20400 [6.0]	7800 [2.3]	15.5	13	775 [365.8]	7491019
		RCF3624HTAM	31400 [9.2]	22800 [6.7]	8600 [2.5]	16	13	1025 [483.7]	7491042
		RCF3624MTAM	30800 [9.0]	22500 [6.6]	8300 [2.4]	16	13	975 [460.1]	7491063

[ ] Designates Metric Conversions

## Performance Data @ AHRI Standard Conditions – Cooling (con't.)

RGFG: 95 Plus Communicating Modulating Upflow Gas Furnace equipped with Comfort Control, ECM Ratings									
Outdoor Unit	Furnace	Indoor Coil	Total Capacity BTU/H [kW]	Net Sensible BTU/H [kW]	Net Latent BTU/H [kW]	SEER	EER	Indoor CFM [L/s]	AHRI#
RA1430AJ1	RGFG-10?ZCM?	RCF3621MTAM	30600 [9.0]	22500 [6.6]	8100 [2.4]	16	13	1000 [471.9]	7490992
		RCF3621STAM	29200 [8.6]	22200 [6.5]	7000 [2.1]	15.1	12.5	1000 [471.9]	7491020
		RCF3624HTAM	31600 [9.3]	23200 [6.8]	8400 [2.5]	16	13	1050 [495.5]	7491043
		RCF3624MTAM	30600 [9.0]	22500 [6.6]	8100 [2.4]	16	13	1000 [471.9]	7491064
RA1430AJ1	RGFG-12?RCM?	RCF3624HTAM	31400 [9.2]	22800 [6.7]	8600 [2.5]	16	13	1025 [483.7]	7491044
		RCF3624MTAM	30800 [9.0]	22700 [6.7]	8100 [2.4]	16	13	1025 [483.7]	7491065
RA1436AC1	RGFG-06?MCK?	RCF3617STAM	34200 [10.0]	24400 [7.2]	9800 [2.9]	14	12.2	1000 [471.9]	7491242
		RCF3621MTAM	36200 [10.6]	24800 [7.3]	11400 [3.3]	15.1	12.5	1000 [471.9]	7491260
		RCF3621STAM	34200 [10.0]	24400 [7.2]	9800 [2.9]	14.5	12.2	1000 [471.9]	7491288
RA1436AC1	RGFG-07?MCK?	RCF3617STAM	34200 [10.0]	24400 [7.2]	9800 [2.9]	14	12.2	1000 [471.9]	7491243
		RCF3621MTAM	36200 [10.6]	24800 [7.3]	11400 [3.3]	15.1	12.5	1000 [471.9]	7491261
		RCF3621STAM	34200 [10.0]	24400 [7.2]	9800 [2.9]	14	12.2	1000 [471.9]	7491289
RA1436AC1	RGFG-09?ZCM?	RCF3621MTAM	36800 [10.8]	25500 [7.5]	11300 [3.3]	15.5	13	1025 [483.7]	7491262
		RCF3621STAM	34200 [10.0]	24300 [7.1]	9900 [2.9]	15	12.5	975 [460.1]	7491290
		RCF3624HTAM	38500 [11.3]	27800 [8.1]	10700 [3.1]	16	13	1200 [566.3]	7491313
		RCF3624MTAM	36800 [10.8]	25500 [7.5]	11300 [3.3]	15.5	13	1025 [483.7]	7491334
RA1436AC1	RGFG-10?ZCM?	RCF3621MTAM	36600 [10.7]	25400 [7.4]	11200 [3.3]	15.5	13	1050 [495.5]	7491263
		RCF3621STAM	34600 [10.1]	25000 [7.3]	9600 [2.8]	14.5	12.2	1050 [495.5]	7491291
		RCF3624HTAM	38500 [11.3]	27800 [8.1]	10700 [3.1]	16	13	1200 [566.3]	7491314
		RCF3624MTAM	36600 [10.7]	25400 [7.4]	11200 [3.3]	15.5	13	1050 [495.5]	7491335
RA1436AC1	RGFG-12?RCM?	RCF3624HTAM	39000 [11.4]	28600 [8.4]	10400 [3.0]	16	13	1250 [589.9]	7491315
		RCF3624MTAM	36800 [10.8]	25500 [7.5]	11300 [3.3]	16	13	1025 [483.7]	7491336
RA1436AJ1	RGFG-06?MCK?	RCF3617STAM	34200 [10.0]	24400 [7.2]	9800 [2.9]	14	12.2	1000 [471.9]	7491533
		RCF3621MTAM	36200 [10.6]	24800 [7.3]	11400 [3.3]	15.1	12.5	1000 [471.9]	7491551
		RCF3621STAM	34200 [10.0]	24400 [7.2]	9800 [2.9]	14.5	12.2	1000 [471.9]	7491579
RA1436AJ1	RGFG-07?MCK?	RCF3617STAM	34200 [10.0]	24400 [7.2]	9800 [2.9]	14	12.2	1000 [471.9]	7491534
		RCF3621MTAM	36200 [10.6]	24800 [7.3]	11400 [3.3]	15.1	12.5	1000 [471.9]	7491552
		RCF3621STAM	34200 [10.0]	24400 [7.2]	9800 [2.9]	14	12.2	1000 [471.9]	7491580
RA1436AJ1	RGFG-09?ZCM?	RCF3621MTAM	36800 [10.8]	25500 [7.5]	11300 [3.3]	15.5	13	1025 [483.7]	7491553
		RCF3621STAM	34200 [10.0]	24300 [7.1]	9900 [2.9]	15	12.5	975 [460.1]	7491581
		RCF3624HTAM	38500 [11.3]	27800 [8.1]	10700 [3.1]	16	13	1200 [566.3]	7491604
		RCF3624MTAM	36800 [10.8]	25500 [7.5]	11300 [3.3]	15.5	13	1025 [483.7]	7491625
RA1436AJ1	RGFG-10?ZCM?	RCF3621MTAM	36600 [10.7]	25400 [7.4]	11200 [3.3]	15.5	13	1050 [495.5]	7491554
		RCF3621STAM	34600 [10.1]	25000 [7.3]	9600 [2.8]	14.5	12.2	1050 [495.5]	7491582
		RCF3624HTAM	38500 [11.3]	27800 [8.1]	10700 [3.1]	16	13	1200 [566.3]	7491605
		RCF3624MTAM	36600 [10.7]	25400 [7.4]	11200 [3.3]	15.5	13	1050 [495.5]	7491626
RA1436AJ1	RGFG-12?RCM?	RCF3624HTAM	39000 [11.4]	28600 [8.4]	10400 [3.0]	16	13	1250 [589.9]	7491606
		RCF3624MTAM	36800 [10.8]	25500 [7.5]	11300 [3.3]	16	13	1025 [483.7]	7491627
RA1442AC1	RGFG-09?ZCM?	RCF4821STAM	41000 [12.0]	29400 [8.6]	11600 [3.4]	14.5	12.2	1200 [566.3]	7491826
		RCF4824HTAM	42500 [12.5]	28900 [8.5]	13600 [4.0]	15.1	12.5	1200 [566.3]	7491851
		RCF4824STAM	41000 [12.0]	29400 [8.6]	11600 [3.4]	14.5	12.2	1200 [566.3]	7491875
RA1442AC1	RGFG-10?ZCM?	RCF4821STAM	41000 [12.0]	29400 [8.6]	11600 [3.4]	14.5	12.2	1200 [566.3]	7491827
		RCF4824HTAM	42500 [12.5]	28900 [8.5]	13600 [4.0]	15.1	12.5	1200 [566.3]	7491852
		RCF4824STAM	41000 [12.0]	29400 [8.6]	11600 [3.4]	14.5	12.2	1200 [566.3]	7491876

[ ] Designates Metric Conversions

## Performance Data @ AHRI Standard Conditions – Cooling (con't.)

RGFG: 95 Plus Communicating Modulating Upflow Gas Furnace equipped with Comfort Control, ECM Ratings									
Outdoor Unit	Furnace	Indoor Coil	Total Capacity BTU/H [kW]	Net Sensible BTU/H [kW]	Net Latent BTU/H [kW]	SEER	EER	Indoor CFM [L/s]	AHRI#
RA1442AC1	RGFG-12?RCM?	RCF4824HTAM	43000 [12.6]	29700 [8.7]	13300 [3.9]	15.1	12.5	1250 [589.9]	7491853
		RCF4824STAM	41000 [12.0]	29700 [8.7]	11300 [3.3]	14.5	12.2	1250 [589.9]	7491877
RA1442AJ1	RGFG-09?ZCM?	RCF4821STAM	41000 [12.0]	29400 [8.6]	11600 [3.4]	14.5	12.2	1200 [566.3]	7492001
		RCF4824HTAM	42500 [12.5]	28900 [8.5]	13600 [4.0]	15.1	12.5	1200 [566.3]	7492026
		RCF4824STAM	41000 [12.0]	29400 [8.6]	11600 [3.4]	14.5	12.2	1200 [566.3]	7492050
RA1442AJ1	RGFG-10?ZCM?	RCF4821STAM	41000 [12.0]	29400 [8.6]	11600 [3.4]	14.5	12.2	1200 [566.3]	7492002
		RCF4824HTAM	42500 [12.5]	28900 [8.5]	13600 [4.0]	15.1	12.5	1200 [566.3]	7492027
		RCF4824STAM	41000 [12.0]	29400 [8.6]	11600 [3.4]	14.5	12.2	1200 [566.3]	7492051
RA1442AJ1	RGFG-12?RCM?	RCF4824HTAM	43000 [12.6]	29700 [8.7]	13300 [3.9]	15.1	12.5	1250 [589.9]	7492028
		RCF4824STAM	41000 [12.0]	29700 [8.7]	11300 [3.3]	14.5	12.2	1250 [589.9]	7492052
RA1448AC1	RGFG-09?ZCM?	RCF4821STAM	45500 [13.3]	32200 [9.4]	13300 [3.9]	14	11.7	1275 [601.7]	7492176
		RCF4824HTAM	47000 [13.8]	31700 [9.3]	15300 [4.5]	14.5	12	1275 [601.7]	7492199
		RCF4824STAM	45500 [13.3]	32200 [9.4]	13300 [3.9]	14	11.7	1275 [601.7]	7492221
RA1448AC1	RGFG-10?ZCM?	RCF4821STAM	45000 [13.2]	31700 [9.3]	13300 [3.9]	14	11.7	1275 [601.7]	7492177
		RCF4824HTAM	47000 [13.8]	31700 [9.3]	15300 [4.5]	14.5	12	1275 [601.7]	7492200
		RCF4824STAM	45000 [13.2]	31700 [9.3]	13300 [3.9]	14	11.7	1275 [601.7]	7492222
RA1448AC1	RGFG-12?RCM?	RCF4824HTAM	47500 [13.9]	33300 [9.8]	14200 [4.2]	14.5	12	1450 [684.3]	7492201
		RCF4824STAM	45500 [13.3]	31900 [9.3]	13600 [4.0]	14.5	12	1225 [578.1]	7492223
RA1448AJ1	RGFG-09?ZCM?	RCF4821STAM	45500 [13.3]	32200 [9.4]	13300 [3.9]	14	11.7	1275 [601.7]	7492375
		RCF4824HTAM	47000 [13.8]	31700 [9.3]	15300 [4.5]	14.5	12	1275 [601.7]	7492398
		RCF4824STAM	45500 [13.3]	32200 [9.4]	13300 [3.9]	14	11.7	1275 [601.7]	7492420
RA1448AJ1	RGFG-10?ZCM?	RCF4821STAM	45000 [13.2]	31700 [9.3]	13300 [3.9]	14	11.7	1275 [601.7]	7492376
		RCF4824HTAM	47000 [13.8]	31700 [9.3]	15300 [4.5]	14.5	12	1275 [601.7]	7492399
		RCF4824STAM	45000 [13.2]	31700 [9.3]	13300 [3.9]	14	11.7	1275 [601.7]	7492421
RA1448AJ1	RGFG-12?RCM?	RCF4824HTAM	47500 [13.9]	33300 [9.8]	14200 [4.2]	14.5	12	1450 [684.3]	7492400
		RCF4824STAM	45500 [13.3]	31900 [9.3]	13600 [4.0]	14.5	12	1225 [578.1]	7492422
RA1460AC1	RGFG-12?RCM?	RCF6024HTAM	56500 [16.6]	38400 [11.3]	18100 [5.3]	14	11.7	1450 [684.3]	7492571
		RCF6024STAM	56500 [16.6]	38400 [11.3]	18100 [5.3]	14	11.7	1450 [684.3]	7492583
RA1460AJ1	RGFG-12?RCM?	RCF6024HTAM	56500 [16.6]	38400 [11.3]	18100 [5.3]	14	11.7	1450 [684.3]	7492627
		RCF6024STAM	56500 [16.6]	38400 [11.3]	18100 [5.3]	14	11.7	1450 [684.3]	7492639

[ ] Designates Metric Conversions

## Performance Data @ AHRI Standard Conditions – Cooling (con't.)

RGGE: 90 Plus Communicating Modulating Downflow Gas Furnace equipped with Comfort Control, ECM Ratings									
Outdoor Unit	Furnace	Indoor Coil	Total Capacity BTU/H [kW]	Net Sensible BTU/H [kW]	Net Latent BTU/H [kW]	SEER	EER	Indoor CFM [L/s]	AHRI#
RA1430AJ1	RGGE-09?ZCM?	RCF3624HTAM	31400 [9.2]	22800 [6.7]	8600 [2.5]	16	13	1025 [483.7]	7491045
RA1430AJ1	RGGE-10?ZCM?	RCF3624HTAM	31600 [9.3]	23200 [6.8]	8400 [2.5]	16	13	1050 [495.5]	7491046
RA1430AJ1	RGGE-12?RCM?	RCF3624HTAM	31800 [9.3]	23400 [6.9]	8400 [2.5]	16	13	1050 [495.5]	7491047
RA1436AC1	RGGE-09?ZCM?	RCF3624HTAM	39000 [11.4]	28600 [8.4]	10400 [3.0]	16	13	1250 [589.9]	7491316
RA1436AC1	RGGE-10?ZCM?	RCF3624HTAM	38500 [11.3]	27800 [8.1]	10700 [3.1]	16	13	1200 [566.3]	7491317
RA1436AC1	RGGE-12?RCM?	RCF3624HTAM	40000 [11.7]	30200 [8.9]	9800 [2.9]	16	13	1375 [648.9]	7491318
RA1436AJ1	RGGE-09?ZCM?	RCF3624HTAM	39000 [11.4]	28600 [8.4]	10400 [3.0]	16	13	1250 [589.9]	7491607
RA1436AJ1	RGGE-10?ZCM?	RCF3624HTAM	38500 [11.3]	27800 [8.1]	10700 [3.1]	16	13	1200 [566.3]	7491608
RA1436AJ1	RGGE-12?RCM?	RCF3624HTAM	40000 [11.7]	30200 [8.9]	9800 [2.9]	16	13	1375 [648.9]	7491609
RA1442AC1	RGGE-09?ZCM?	RCF4824HTAM	43000 [12.6]	29700 [8.7]	13300 [3.9]	15.1	12.5	1250 [589.9]	7491854
RA1442AC1	RGGE-10?ZCM?	RCF4824HTAM	42500 [12.5]	28900 [8.5]	13600 [4.0]	15.1	12.5	1200 [566.3]	7491855
RA1442AC1	RGGE-12?RCM?	RCF4824HTAM	43000 [12.6]	29700 [8.7]	13300 [3.9]	15.5	13	1250 [589.9]	7491856
RA1442AJ1	RGGE-09?ZCM?	RCF4824HTAM	43000 [12.6]	29700 [8.7]	13300 [3.9]	15.1	12.5	1250 [589.9]	7492029
RA1442AJ1	RGGE-10?ZCM?	RCF4824HTAM	42500 [12.5]	28900 [8.5]	13600 [4.0]	15.1	12.5	1200 [566.3]	7492030
RA1442AJ1	RGGE-12?RCM?	RCF4824HTAM	43000 [12.6]	29700 [8.7]	13300 [3.9]	15.5	13	1250 [589.9]	7492031
RA1448AC1	RGGE-09?ZCM?	RCF4824HTAM	47500 [13.9]	33000 [9.7]	14500 [4.2]	14.5	12	1400 [660.7]	7492202
RA1448AC1	RGGE-10?ZCM?	RCF4824HTAM	47000 [13.8]	31700 [9.3]	15300 [4.5]	14.5	12	1275 [601.7]	7492203
RA1448AC1	RGGE-12?RCM?	RCF4824HTAM	47500 [13.9]	32800 [9.6]	14700 [4.3]	15	12.5	1375 [648.9]	7492204
RA1448AJ1	RGGE-09?ZCM?	RCF4824HTAM	47500 [13.9]	33000 [9.7]	14500 [4.2]	14.5	12	1400 [660.7]	7492401
RA1448AJ1	RGGE-10?ZCM?	RCF4824HTAM	47000 [13.8]	31700 [9.3]	15300 [4.5]	14.5	12	1275 [601.7]	7492402
RA1448AJ1	RGGE-12?RCM?	RCF4824HTAM	47500 [13.9]	32800 [9.6]	14700 [4.3]	15	12.5	1375 [648.9]	7492403

[ ] Designates Metric Conversions

## Performance Data @ AHRI Standard Conditions – Cooling (con't.)

RGGE: 90 Plus Communicating Modulating Downflow Gas Furnace equipped with Comfort Control, ECM Ratings									
Outdoor Unit	Furnace	Indoor Coil	Total Capacity BTU/H [kW]	Net Sensible BTU/H [kW]	Net Latent BTU/H [kW]	SEER	EER	Indoor CFM [L/s]	AHRI#
RA1460AC1	RGGE-09?ZCM?	RCF6024HTAM	56000 [16.4]	37600 [11.0]	18400 [5.4]	14	11.7	1400 [660.7]	7492572
RA1460AC1	RGGE-12?RCM?	RCF6024HTAM	57000 [16.7]	39900 [11.7]	17100 [5.0]	14	11.7	1575 [743.3]	7492573
RA1460AJ1	RGGE-09?ZCM?	RCF6024HTAM	56000 [16.4]	37600 [11.0]	18400 [5.4]	14	11.7	1400 [660.7]	7492628
RA1460AJ1	RGGE-12?RCM?	RCF6024HTAM	57000 [16.7]	39900 [11.7]	17100 [5.0]	14	11.7	1575 [743.3]	7492629

[ ] Designates Metric Conversions

## Performance Data @ AHRI Standard Conditions – Cooling (con't.)

RGJF: 90 Plus Communicating Modulating Horizontal Gas Furnace equipped with Comfort Control, ECM Ratings									
Outdoor Unit	Furnace	Indoor Coil	Total Capacity BTU/H [kW]	Net Sensible BTU/H [kW]	Net Latent BTU/H [kW]	SEER	EER	Indoor CFM [L/s]	AHRI#
RA1418AJ1	RGJF-06?MCK?	RCF2417HTAM	18400 [5.4]	14400 [4.2]	4000 [1.2]	16	13	625 [295.0]	7490524
		RCF2417MTAM	18400 [5.4]	14400 [4.2]	4000 [1.2]	16	13	625 [295.0]	7490538
		RCF2417STAM	18300 [5.4]	13900 [4.1]	4400 [1.3]	15.5	13	625 [295.0]	7490552
		RCF2421MTAM	18400 [5.4]	14400 [4.2]	4000 [1.2]	16	13	625 [295.0]	7490589
RA1418AJ1	RGJF-07?MCK?	RCF2417HTAM	18200 [5.3]	14100 [4.1]	4100 [1.2]	16	13	575 [271.4]	7490525
		RCF2417MTAM	18200 [5.3]	14100 [4.1]	4100 [1.2]	16	13	575 [271.4]	7490539
		RCF2417STAM	18300 [5.4]	13800 [4.0]	4500 [1.3]	16	13	575 [271.4]	7490553
		RCF2421MTAM	18200 [5.3]	14100 [4.1]	4100 [1.2]	16	13	575 [271.4]	7490590
RA1418AJ1	RGJF-09?ZCM?	RCF2421MTAM	18700 [5.5]	14800 [4.3]	3900 [1.1]	16	13	675 [318.6]	7490591
RA1418AJ1	RGJF-10?ZCM?	RCF2421MTAM	18700 [5.5]	14800 [4.3]	3900 [1.1]	16	13	675 [318.6]	7490592
RA1418AJ1	RGJF-06?MCK?	RCF2421HTAM	18400 [5.4]	14400 [4.2]	4000 [1.2]	16	13	625 [295.0]	7490569
RA1418AJ1	RGJF-07?MCK?	RCF2421HTAM	18200 [5.3]	14100 [4.1]	4100 [1.2]	16	13	575 [271.4]	7490570
RA1418AJ1	RGJF-09?ZCM?	RCF2421HTAM	18700 [5.5]	14800 [4.3]	3900 [1.1]	16	13	675 [318.6]	7490571
RA1418AJ1	RGJF-10?ZCM?	RCF2421HTAM	18700 [5.5]	14800 [4.3]	3900 [1.1]	16	13	675 [318.6]	7490572
RA1424AJ1	RGJF-06?MCK?	RCF2417HTAM	26200 [7.7]	19700 [5.8]	6500 [1.9]	15.5	13	925 [436.6]	7490738
		RCF2417MTAM	26200 [7.7]	19700 [5.8]	6500 [1.9]	15.5	13	925 [436.6]	7490754
		RCF2417STAM	24400 [7.2]	18500 [5.4]	5900 [1.7]	15.1	12.5	825 [389.4]	7490770
		RCF2421MTAM	26200 [7.7]	19700 [5.8]	6500 [1.9]	15.5	13	925 [436.6]	7490816
RA1424AJ1	RGJF-07?MCK?	RCF2417HTAM	26000 [7.6]	19400 [5.7]	6600 [1.9]	15.5	13	875 [413.0]	7490739
		RCF2417MTAM	26000 [7.6]	19400 [5.7]	6600 [1.9]	15.5	13	875 [413.0]	7490755
		RCF2417STAM	24600 [7.2]	18700 [5.5]	5900 [1.7]	15.1	12.5	800 [377.6]	7490771
		RCF2421MTAM	26000 [7.6]	19400 [5.7]	6600 [1.9]	15.5	13	875 [413.0]	7490817
RA1424AJ1	RGJF-09?ZCM?	RCF2421MTAM	25800 [7.6]	18800 [5.5]	7000 [2.1]	16	13	775 [365.8]	7490818
RA1424AJ1	RGJF-10?ZCM?	RCF2421MTAM	25800 [7.6]	18800 [5.5]	7000 [2.1]	16	13	775 [365.8]	7490819
RA1424AJ1	RGJF-06?MCK?	RCF2421HTAM	26200 [7.7]	19700 [5.8]	6500 [1.9]	15.5	13	925 [436.6]	7490790
RA1424AJ1	RGJF-07?MCK?	RCF2421HTAM	26000 [7.6]	19400 [5.7]	6600 [1.9]	15.5	13	875 [413.0]	7490791
RA1424AJ1	RGJF-09?ZCM?	RCF2421HTAM	25800 [7.6]	18800 [5.5]	7000 [2.1]	16	13	775 [365.8]	7490792
RA1424AJ1	RGJF-10?ZCM?	RCF2421HTAM	25800 [7.6]	18800 [5.5]	7000 [2.1]	16	13	775 [365.8]	7490793

[ ] Designates Metric Conversions

## Performance Data @ AHRI Standard Conditions – Cooling (con't.)

RGJF: 90 Plus Communicating Modulating Horizontal Gas Furnace equipped with Comfort Control, ECM Ratings									
Outdoor Unit	Furnace	Indoor Coil	Total Capacity BTU/H [kW]	Net Sensible BTU/H [kW]	Net Latent BTU/H [kW]	SEER	EER	Indoor CFM [L/s]	AHRI#
RA1430AJ1	RGJF-06?MCK?	RCF3617STAM	28400 [8.3]	20800 [6.1]	7600 [2.2]	15.1	12.5	825 [389.4]	7490973
		RCF3621MTAM	30400 [8.9]	22000 [6.4]	8400 [2.5]	16	13	925 [436.6]	7490993
		RCF3621STAM	28800 [8.4]	21500 [6.3]	7300 [2.1]	15.1	12.5	925 [436.6]	7491021
RA1430AJ1	RGJF-07?MCK?	RCF3617STAM	28400 [8.3]	20700 [6.1]	7700 [2.3]	15.1	12.5	800 [377.6]	7490974
		RCF3621MTAM	29800 [8.7]	21000 [6.2]	8800 [2.6]	16	13	800 [377.6]	7490994
		RCF3621STAM	28400 [8.3]	20700 [6.1]	7700 [2.3]	15.1	12.5	800 [377.6]	7491022
RA1430AJ1	RGJF-09?ZCM?	RCF3621MTAM	30800 [9.0]	22700 [6.7]	8100 [2.4]	16	13	1000 [471.9]	7490995
		RCF3621STAM	28200 [8.3]	20400 [6.0]	7800 [2.3]	15.5	13	775 [365.8]	7491023
		RCF3624HTAM	31400 [9.2]	22800 [6.7]	8600 [2.5]	16	13	1025 [483.7]	7491048
		RCF3624MTAM	30800 [9.0]	22700 [6.7]	8100 [2.4]	16	13	1000 [471.9]	7491066
RA1430AJ1	RGJF-10?ZCM?	RCF3621MTAM	30800 [9.0]	22700 [6.7]	8100 [2.4]	16	13	1000 [471.9]	7490996
		RCF3621STAM	28200 [8.3]	20400 [6.0]	7800 [2.3]	15.5	13	775 [365.8]	7491024
		RCF3624HTAM	31600 [9.3]	23200 [6.8]	8400 [2.5]	16	13	1050 [495.5]	7491049
		RCF3624MTAM	30800 [9.0]	22700 [6.7]	8100 [2.4]	16	13	1000 [471.9]	7491067
RA1430AJ1	RGJF-12?RCM?	RCF3624HTAM	31800 [9.3]	23400 [6.9]	8400 [2.5]	16	13	1050 [495.5]	7491050
		RCF3624MTAM	31000 [9.1]	23100 [6.8]	7900 [2.3]	16	13	1050 [495.5]	7491068
RA1436AC1	RGJF-06?MCK?	RCF3617STAM	34600 [10.1]	24900 [7.3]	9700 [2.8]	14.5	12.2	1025 [483.7]	7491244
		RCF3621MTAM	36600 [10.7]	25300 [7.4]	11300 [3.3]	15.5	13	1025 [483.7]	7491264
		RCF3621STAM	34600 [10.1]	24900 [7.3]	9700 [2.8]	14.5	12.2	1025 [483.7]	7491292
RA1436AC1	RGJF-07?MCK?	RCF3617STAM	34600 [10.1]	24900 [7.3]	9700 [2.8]	14.5	12.2	1025 [483.7]	7491245
		RCF3621MTAM	36600 [10.7]	25300 [7.4]	11300 [3.3]	15.5	13	1025 [483.7]	7491265
		RCF3621STAM	34600 [10.1]	24900 [7.3]	9700 [2.8]	14.5	12.2	1025 [483.7]	7491293
RA1436AC1	RGJF-09?ZCM?	RCF3621MTAM	37600 [11.0]	27200 [8.0]	10400 [3.0]	15.5	13	1225 [578.1]	7491266
		RCF3621STAM	34400 [10.1]	24600 [7.2]	9800 [2.9]	15.1	12.5	1000 [471.9]	7491294
		RCF3624HTAM	39000 [11.4]	28600 [8.4]	10400 [3.0]	16	13	1250 [589.9]	7491319
		RCF3624MTAM	37600 [11.0]	27200 [8.0]	10400 [3.0]	15.5	13	1225 [578.1]	7491337
RA1436AC1	RGJF-10?ZCM?	RCF3621MTAM	36600 [10.7]	25400 [7.4]	11200 [3.3]	15.5	13	1050 [495.5]	7491267
		RCF3621STAM	34400 [10.1]	24600 [7.2]	9800 [2.9]	15	12.5	1000 [471.9]	7491295
		RCF3624HTAM	38500 [11.3]	27800 [8.1]	10700 [3.1]	16	13	1200 [566.3]	7491320
		RCF3624MTAM	36600 [10.7]	25400 [7.4]	11200 [3.3]	15.5	13	1050 [495.5]	7491338
RA1436AC1	RGJF-12?RCM?	RCF3624HTAM	40000 [11.7]	30200 [8.9]	9800 [2.9]	16	13	1375 [648.9]	7491321
		RCF3624MTAM	36800 [10.8]	25600 [7.5]	11200 [3.3]	16	13	1050 [495.5]	7491339
RA1436AJ1	RGJF-06?MCK?	RCF3617STAM	34600 [10.1]	24900 [7.3]	9700 [2.8]	14.5	12.2	1025 [483.7]	7491535
		RCF3621MTAM	36600 [10.7]	25300 [7.4]	11300 [3.3]	15.5	13	1025 [483.7]	7491555
		RCF3621STAM	34600 [10.1]	24900 [7.3]	9700 [2.8]	14.5	12.2	1025 [483.7]	7491583
RA1436AJ1	RGJF-07?MCK?	RCF3617STAM	34600 [10.1]	24900 [7.3]	9700 [2.8]	14.5	12.2	1025 [483.7]	7491536
		RCF3621MTAM	36600 [10.7]	25300 [7.4]	11300 [3.3]	15.5	13	1025 [483.7]	7491556
		RCF3621STAM	34600 [10.1]	24900 [7.3]	9700 [2.8]	14.5	12.2	1025 [483.7]	7491584
RA1436AJ1	RGJF-09?ZCM?	RCF3621MTAM	37600 [11.0]	27200 [8.0]	10400 [3.0]	15.5	13	1225 [578.1]	7491557
		RCF3621STAM	34400 [10.1]	24600 [7.2]	9800 [2.9]	15.1	12.5	1000 [471.9]	7491585
		RCF3624HTAM	39000 [11.4]	28600 [8.4]	10400 [3.0]	16	13	1250 [589.9]	7491610
		RCF3624MTAM	37600 [11.0]	27200 [8.0]	10400 [3.0]	15.5	13	1225 [578.1]	7491628
RA1436AJ1	RGJF-10?ZCM?	RCF3621MTAM	36600 [10.7]	25400 [7.4]	11200 [3.3]	15.5	13	1050 [495.5]	7491558
		RCF3621STAM	34400 [10.1]	24600 [7.2]	9800 [2.9]	15	12.5	1000 [471.9]	7491586
		RCF3624HTAM	38500 [11.3]	27800 [8.1]	10700 [3.1]	16	13	1200 [566.3]	7491611
		RCF3624MTAM	36600 [10.7]	25400 [7.4]	11200 [3.3]	15.5	13	1050 [495.5]	7491629
RA1436AJ1	RGJF-12?RCM?	RCF3624HTAM	40000 [11.7]	30200 [8.9]	9800 [2.9]	16	13	1375 [648.9]	7491612
		RCF3624MTAM	36800 [10.8]	25600 [7.5]	11200 [3.3]	16	13	1050 [495.5]	7491630

[ ] Designates Metric Conversions

## Performance Data @ AHRI Standard Conditions – Cooling (con't.)

RGJF: 90 Plus Communicating Modulating Horizontal Gas Furnace equipped with Comfort Control, ECM Ratings									
Outdoor Unit	Furnace	Indoor Coil	Total Capacity BTU/H [kW]	Net Sensible BTU/H [kW]	Net Latent BTU/H [kW]	SEER	EER	Indoor CFM [L/s]	AHRI#
RA1442AC1	RGJF-06?MCK?	RCF4821STAM	41000 [12.0]	29400 [8.6]	11600 [3.4]	14	12.2	1200 [566.3]	7491828
RA1442AC1	RGJF-07?MCK?	RCF4821STAM	40500 [11.9]	28900 [8.5]	11600 [3.4]	14	11.5	1200 [566.3]	7491829
RA1442AC1	RGJF-09?ZCM?	RCF4821STAM	41000 [12.0]	29700 [8.7]	11300 [3.3]	14.5	12.2	1250 [589.9]	7491830
		RCF4824HTAM	43000 [12.6]	29700 [8.7]	13300 [3.9]	15.1	12.5	1250 [589.9]	7491857
		RCF4824STAM	41000 [12.0]	29700 [8.7]	11300 [3.3]	14.5	12.2	1250 [589.9]	7491878
RA1442AC1	RGJF-10?ZCM?	RCF4821STAM	41000 [12.0]	29900 [8.8]	11100 [3.3]	14.5	12.2	1275 [601.7]	7491831
		RCF4824HTAM	42500 [12.5]	28900 [8.5]	13600 [4.0]	15.1	12.5	1200 [566.3]	7491858
		RCF4824STAM	41000 [12.0]	29900 [8.8]	11100 [3.3]	14.5	12.2	1275 [601.7]	7491879
RA1442AC1	RGJF-12?RCM?	RCF4824HTAM	43000 [12.6]	29700 [8.7]	13300 [3.9]	15.5	13	1250 [589.9]	7491859
		RCF4824STAM	41000 [12.0]	29400 [8.6]	11600 [3.4]	15.1	12.5	1200 [566.3]	7491880
RA1442AJ1	RGJF-06?MCK?	RCF4821STAM	41000 [12.0]	29400 [8.6]	11600 [3.4]	14	12.2	1200 [566.3]	7492003
RA1442AJ1	RGJF-07?MCK?	RCF4821STAM	40500 [11.9]	28900 [8.5]	11600 [3.4]	14	11.5	1200 [566.3]	7492004
RA1442AJ1	RGJF-09?ZCM?	RCF4821STAM	41000 [12.0]	29700 [8.7]	11300 [3.3]	14.5	12.2	1250 [589.9]	7492005
		RCF4824HTAM	43000 [12.6]	29700 [8.7]	13300 [3.9]	15.1	12.5	1250 [589.9]	7492032
		RCF4824STAM	41000 [12.0]	29700 [8.7]	11300 [3.3]	14.5	12.2	1250 [589.9]	7492053
RA1442AJ1	RGJF-10?ZCM?	RCF4821STAM	41000 [12.0]	29900 [8.8]	11100 [3.3]	14.5	12.2	1275 [601.7]	7492006
		RCF4824HTAM	42500 [12.5]	28900 [8.5]	13600 [4.0]	15.1	12.5	1200 [566.3]	7492033
		RCF4824STAM	41000 [12.0]	29900 [8.8]	11100 [3.3]	14.5	12.2	1275 [601.7]	7492054
RA1442AJ1	RGJF-12?RCM?	RCF4824HTAM	43000 [12.6]	29700 [8.7]	13300 [3.9]	15.5	13	1250 [589.9]	7492034
		RCF4824STAM	41000 [12.0]	29400 [8.6]	11600 [3.4]	15.1	12.5	1200 [566.3]	7492055
RA1448AC1	RGJF-06?MCK?	RCF4821STAM	45000 [13.2]	31200 [9.1]	13800 [4.0]	14	11.7	1200 [566.3]	7492178
RA1448AC1	RGJF-07?MCK?	RCF4821STAM	45000 [13.2]	31200 [9.1]	13800 [4.0]	14	11.7	1200 [566.3]	7492179
RA1448AC1	RGJF-09?ZCM?	RCF4821STAM	45000 [13.2]	31400 [9.2]	13600 [4.0]	14.5	12	1225 [578.1]	7492180
		RCF4824HTAM	47500 [13.9]	33000 [9.7]	14500 [4.2]	14.5	12	1400 [660.7]	7492205
		RCF4824STAM	45000 [13.2]	31400 [9.2]	13600 [4.0]	14.5	12	1225 [578.1]	7492224
RA1448AC1	RGJF-10?ZCM?	RCF4821STAM	45500 [13.3]	32200 [9.4]	13300 [3.9]	14	11.7	1275 [601.7]	7492181
		RCF4824HTAM	47000 [13.8]	31700 [9.3]	15300 [4.5]	14.5	12	1275 [601.7]	7492206
		RCF4824STAM	45500 [13.3]	32200 [9.4]	13300 [3.9]	14	11.7	1275 [601.7]	7492225
RA1448AC1	RGJF-12?RCM?	RCF4824HTAM	47500 [13.9]	32800 [9.6]	14700 [4.3]	15	12.5	1375 [648.9]	7492207
		RCF4824STAM	45500 [13.3]	32000 [9.4]	13500 [4.0]	14.5	12	1250 [589.9]	7492226
RA1448AJ1	RGJF-06?MCK?	RCF4821STAM	45000 [13.2]	31200 [9.1]	13800 [4.0]	14	11.7	1200 [566.3]	7492377
RA1448AJ1	RGJF-07?MCK?	RCF4821STAM	45000 [13.2]	31200 [9.1]	13800 [4.0]	14	11.7	1200 [566.3]	7492378

[ ] Designates Metric Conversions

## Performance Data @ AHRI Standard Conditions – Cooling (con't.)

RGJF: 90 Plus Communicating Modulating Horizontal Gas Furnace equipped with Comfort Control, ECM Ratings									
Outdoor Unit	Furnace	Indoor Coil	Total Capacity BTU/H [kW]	Net Sensible BTU/H [kW]	Net Latent BTU/H [kW]	SEER	EER	Indoor CFM [L/s]	AHRI#
RA1448AJ1	RGJF-09?ZCM?	RCF4821STAM	45000 [13.2]	31400 [9.2]	13600 [4.0]	14.5	12	1225 [578.1]	7492379
		RCF4824HTAM	47500 [13.9]	33000 [9.7]	14500 [4.2]	14.5	12	1400 [660.7]	7492404
		RCF4824STAM	45000 [13.2]	31400 [9.2]	13600 [4.0]	14.5	12	1225 [578.1]	7492423
RA1448AJ1	RGJF-10?ZCM?	RCF4821STAM	45500 [13.3]	32200 [9.4]	13300 [3.9]	14	11.7	1275 [601.7]	7492380
		RCF4824HTAM	47000 [13.8]	31700 [9.3]	15300 [4.5]	14.5	12	1275 [601.7]	7492405
		RCF4824STAM	45500 [13.3]	32200 [9.4]	13300 [3.9]	14	11.7	1275 [601.7]	7492424
RA1448AJ1	RGJF-12?RCM?	RCF4824HTAM	47500 [13.9]	32800 [9.6]	14700 [4.3]	15	12.5	1375 [648.9]	7492406
		RCF4824STAM	45500 [13.3]	32000 [9.4]	13500 [4.0]	14.5	12	1250 [589.9]	7492425
RA1460AC1	RGJF-09?ZCM?	RCF6024HTAM	56000 [16.4]	37600 [11.0]	18400 [5.4]	14	11.7	1400 [660.7]	7492574
		RCF6024STAM	56000 [16.4]	37600 [11.0]	18400 [5.4]	14	11.7	1400 [660.7]	7492584
RA1460AC1	RGJF-12?RCM?	RCF6024HTAM	57000 [16.7]	39900 [11.7]	17100 [5.0]	14	11.7	1575 [743.3]	7492575
		RCF6024STAM	57000 [16.7]	39900 [11.7]	17100 [5.0]	14	11.7	1575 [743.3]	7492585
RA1460AJ1	RGJF-09?ZCM?	RCF6024HTAM	56000 [16.4]	37600 [11.0]	18400 [5.4]	14	11.7	1400 [660.7]	7492630
		RCF6024STAM	56000 [16.4]	37600 [11.0]	18400 [5.4]	14	11.7	1400 [660.7]	7492640
RA1460AJ1	RGJF-12?RCM?	RCF6024HTAM	57000 [16.7]	39900 [11.7]	17100 [5.0]	14	11.7	1575 [743.3]	7492631
		RCF6024STAM	57000 [16.7]	39900 [11.7]	17100 [5.0]	14	11.7	1575 [743.3]	7492641

[ ] Designates Metric Conversions

## Performance Data @ AHRI Standard Conditions – Cooling (con't.)

Air Handler Ratings								
Outdoor Unit	Air Handler	Total Capacity BTU/H [kW]	Net Sensible BTU/H [kW]	Net Latent BTU/H [kW]	SEER	EER	Indoor CFM [L/s]	AHRI#
RA1418AJ1	RBHP-17	18000 [5.3]	11900 [3.5]	6100 [1.8]	15	12.5	600 [283.2]	7493619
	RH1P1817STAN	17900 [5.2]	13500 [4.0]	4400 [1.3]	14	12.2	600 [283.2]	7490727
	RH1T2417STAN	18200 [5.3]	13800 [4.0]	4400 [1.3]	15.5	13	600 [283.2]	7490728
	RH2T2421MTAN	18800 [5.5]	14900 [4.4]	3900 [1.1]	16	13	700 [330.4]	7490730
	RH1V2417STAN	18500 [5.4]	14200 [4.2]	4300 [1.3]	16	13	650 [306.8]	7490729
RA1424AJ1	RBHP-17	24000 [7.0]	16100 [4.7]	7900 [2.3]	14.5	12.2	800 [377.6]	7493626
	RH1P2417STAN	24200 [7.1]	18300 [5.4]	5900 [1.7]	14	12.2	800 [377.6]	7490963
	RH1T2417STAN	24600 [7.2]	18700 [5.5]	5900 [1.7]	15.5	13	800 [377.6]	7490964
	RH2T2421MTAN	25200 [7.4]	18100 [5.3]	7100 [2.1]	16	13	700 [330.4]	7490966
	RH1V2417STAN	24800 [7.3]	19100 [5.6]	5700 [1.7]	15.5	13	850 [401.2]	7490965
RA1430AJ1	RBHP-21	29800 [8.7]	20400 [6.0]	9400 [2.8]	16	13	1000 [471.9]	7493633
	RH1P3017STAN	28600 [8.4]	21400 [6.3]	7200 [2.1]	14	11.5	950 [448.4]	7491225
	RH1T3617STAN	29400 [8.6]	22400 [6.6]	7000 [2.1]	15.5	13	1000 [471.9]	7491226
	RH1T3621MTAN	31600 [9.3]	24100 [7.1]	7500 [2.2]	16	13	1175 [554.5]	7491227
	RH1V3617STAN	29200 [8.6]	22200 [6.5]	7000 [2.1]	15	12.5	1025 [483.7]	7491228
	RH1V3621MTAN	30800 [9.0]	22700 [6.7]	8100 [2.4]	16	13	1000 [471.9]	7491229
RA1436AC1	RH2V3624HTAC	32400 [9.5]	24600 [7.2]	7800 [2.3]	16	13	1200 [566.3]	7491230
	RBHP-21	36200 [10.6]	24500 [7.2]	11700 [3.4]	15.5	13	1200 [566.3]	7493638
	RH1P3017STAN	33800 [9.9]	23800 [7.0]	10000 [2.9]	14	11.5	950 [448.4]	7491515
	RH1T3617STAN	34600 [10.1]	24800 [7.3]	9800 [2.9]	15.5	13	1000 [471.9]	7491516
	RH1T3621MTAN	37400 [11.0]	26800 [7.9]	10600 [3.1]	16	13	1175 [554.5]	7491517
	RH1V3617STAN	34800 [10.2]	25100 [7.4]	9700 [2.8]	15	12.5	1025 [483.7]	7491518
RA1436AJ1	RH1V3621MTAN	37600 [11.0]	27100 [7.9]	10500 [3.1]	16	13	1200 [566.3]	7491519
	RH2V3624HTAC	39000 [11.4]	28300 [8.3]	10700 [3.1]	16	13	1200 [566.3]	7491520
	RBHP-21	36200 [10.6]	24500 [7.2]	11700 [3.4]	15.5	13	1200 [566.3]	7493646
	RH1P3017STAN	33800 [9.9]	23800 [7.0]	10000 [2.9]	14	11.5	950 [448.4]	7491806
	RH1T3617STAN	34600 [10.1]	24800 [7.3]	9800 [2.9]	15.5	13	1000 [471.9]	7491807
	RH1T3621MTAN	37400 [11.0]	26800 [7.9]	10600 [3.1]	16	13	1175 [554.5]	7491808
RA1442AC1	RH1V3617STAN	34800 [10.2]	25100 [7.4]	9700 [2.8]	15	12.5	1025 [483.7]	7491809
	RH1V3621MTAN	37600 [11.0]	27100 [7.9]	10500 [3.1]	16	13	1200 [566.3]	7491810
	RH2V3624HTAC	39000 [11.4]	28300 [8.3]	10700 [3.1]	16	13	1200 [566.3]	7491811
	RBHP-24	42000 [12.3]	28100 [8.2]	13900 [4.1]	15.5	13	1400 [660.7]	7493654
	RH1T4821STAN	42500 [12.5]	32000 [9.4]	10500 [3.1]	15	12.5	1400 [660.7]	7491986
	RH1T4824STAN	43000 [12.6]	33500 [9.8]	9500 [2.8]	15	12.5	1550 [731.5]	7491987
RA1442AJ1	RH2T4824MTAN	44000 [12.9]	31500 [9.2]	12500 [3.7]	16	13	1400 [660.7]	7491989
	RH1V4821STAN	42000 [12.3]	31500 [9.2]	10500 [3.1]	15	12.5	1400 [660.7]	7491988
	RH2V4824HTAC	44500 [13.0]	33300 [9.8]	11200 [3.3]	15.5	13	1600 [755.1]	7491990
	RBHP-24	42000 [12.3]	28100 [8.2]	13900 [4.1]	15.5	13	1400 [660.7]	7493657
	RH1T4821STAN	42500 [12.5]	32000 [9.4]	10500 [3.1]	15	12.5	1400 [660.7]	7492161
RA1448AC1	RH1T4824STAN	43000 [12.6]	33500 [9.8]	9500 [2.8]	15	12.5	1550 [731.5]	7492162
	RH2T4824MTAN	44000 [12.9]	31500 [9.2]	12500 [3.7]	16	13	1400 [660.7]	7492164
	RH1V4821STAN	42000 [12.3]	31500 [9.2]	10500 [3.1]	15	12.5	1400 [660.7]	7492163
	RH2V4824HTAC	44500 [13.0]	33300 [9.8]	11200 [3.3]	15.5	13	1600 [755.1]	7492165
	RBHP-24	45500 [13.3]	29600 [8.7]	15900 [4.7]	15	12.5	1400 [660.7]	7493660
RA1448AJ1	RH1T4821STAN	47000 [13.8]	35600 [10.4]	11400 [3.3]	14.5	12	1575 [743.3]	7492359
	RH1T4824STAN	47000 [13.8]	35400 [10.4]	11600 [3.4]	15	12.5	1550 [731.5]	7492360
	RH2T4824MTAN	48000 [14.1]	33500 [9.8]	14500 [4.2]	15.5	13	1400 [660.7]	7492363
	RH1V4821STAN	46000 [13.5]	33400 [9.8]	12600 [3.7]	14.5	12	1400 [660.7]	7492361
	RH1V4824STAN	47500 [13.9]	36400 [10.7]	11100 [3.3]	14.5	12	1625 [766.9]	7492362
	RH2V4824HTAC	49000 [14.4]	35800 [10.5]	13200 [3.9]	15	12.5	1600 [755.1]	7492364

[ ] Designates Metric Conversions

## Performance Data @ AHRI Standard Conditions – Cooling (con't.)

Air Handler Ratings								
Outdoor Unit	Air Handler	Total Capacity BTU/H [kW]	Net Sensible BTU/H [kW]	Net Latent BTU/H [kW]	SEER	EER	Indoor CFM [L/s]	AHRI#
RA1448AJ1	RBHP-24	45500 [13.3]	29600 [8.7]	15900 [4.7]	15	12.5	1400 [660.7]	7493661
	RH1T4821STAN	47000 [13.8]	35600 [10.4]	11400 [3.3]	14.5	12	1575 [743.3]	7492558
	RH1T4824STAN	47000 [13.8]	35400 [10.4]	11600 [3.4]	15	12.5	1550 [731.5]	7492559
	RH2T4824MTAN	48000 [14.1]	33500 [9.8]	14500 [4.2]	15.5	13	1400 [660.7]	7492562
	RH1V4821STAN	46000 [13.5]	33400 [9.8]	12600 [3.7]	14.5	12	1400 [660.7]	7492560
	RH1V4824STAN	47500 [13.9]	36400 [10.7]	11100 [3.3]	14.5	12	1625 [766.9]	7492561
	RH2V4824HTAC	49000 [14.4]	35800 [10.5]	13200 [3.9]	15	12.5	1600 [755.1]	7492563
RA1460AC1	RH1T6024STAN	58000 [17.0]	41100 [12.0]	16900 [5.0]	14.5	12	1600 [755.1]	7492617
	RH2T6024STAN	57500 [16.9]	40600 [11.9]	16900 [5.0]	14.5	12	1600 [755.1]	7492619
	RH1V6024STAN	59000 [17.3]	43700 [12.8]	15300 [4.5]	14.5	12	1800 [849.5]	7492618
RA1460AJ1	RH1T6024STAN	58000 [17.0]	41100 [12.0]	16900 [5.0]	14.5	12	1600 [755.1]	7492673
	RH2T6024STAN	57500 [16.9]	40600 [11.9]	16900 [5.0]	14.5	12	1600 [755.1]	7492675
	RH1V6024STAN	59000 [17.3]	43700 [12.8]	15300 [4.5]	14.5	12	1800 [849.5]	7492674

[ ] Designates Metric Conversions

## GUIDE SPECIFICATIONS

### General

#### System Description

Outdoor-mounted, air-cooled, split-system air conditioner composite base pan unit suitable for ground or rooftop installation. Unit consists of a hermetic compressor, an air-cooled coil, propeller-type condenser fan, suction and legend line service valve, and a control box. Unit will discharge supply air upward as shown on contract drawings. Unit will be used in a refrigeration circuit to match up to a coil unit.

#### Quality Assurance

- Unit will be rated in accordance with the latest edition of AHRI Standard 210.
- Unit will be certified for capacity and efficiency, and listed in the latest AHRI directory.
- Unit construction will comply with latest edition of ANSI/ASHRAE and with NEC.
- Unit will be constructed in accordance with UL standards and will carry the UL label of approval. Unit will have c-UL-us approval.
- Unit cabinet will be capable of withstanding ASTM B117 1000-hr salt spray test.
- Air-cooled condenser coils will be leak tested at 150 psig and pressure tested at 550 psig.
- Unit constructed in ISO9001 approved facility.

#### Delivery, Storage, and Handling

- Unit will be shipped as single package only and is stored and handled per unit manufacturer's recommendations.

**Warranty (for inclusion by specifying engineer)** – U.S. and Canada only.

### Products

#### Equipment

Factory assembled, single piece, air-cooled air conditioner unit. Contained within the unit enclosure is all factory wiring, piping, controls, compressor, refrigerant charge R-410A, and special features required prior to field start-up.

#### Unit Cabinet

- Unit cabinet will be constructed of galvanized steel, bonderized, and coated with a powder coat paint.
- All units constructed with louver coil protection and corner post. Louver can be removed by removing one fastener per louver panel.

### AIR-COOLED, SPLIT-SYSTEM AIR CONDITIONER

#### RA14

#### 1-1/2 TO 5 NOMINAL TONS

#### Fans

- Condenser fan will be direct-drive propeller type, discharging air upward.
- Condenser fan motors will be totally enclosed, 1-phase type with class B insulation and permanently lubricated bearings. Shafts will be corrosion resistant.
- Fan blades will be statically and dynamically balanced.
- Condenser fan openings will be equipped with coated steel wire safety guards.

#### Compressor

- Compressor will be hermetically sealed.
- Compressor will be mounted on rubber vibration isolators.

#### Condenser Coil

- Condenser coil will be air cooled.
- Coil will be constructed of aluminum fins mechanically bonded to copper tubes.

#### Refrigeration Components

- Refrigeration circuit components will include liquid-line shutoff valve with sweat connections, vapor-line shutoff valve with sweat connections, system charge of R-410A refrigerant, and compressor oil.
- Unit will be equipped with filter drier for R-410A refrigerant for field installation.

#### Operating Characteristics

- The capacity of the unit will meet or exceed \_\_\_\_\_ Btuh at a suction temperature of \_\_\_\_\_ °F/°C. The power consumption at full load will not exceed \_\_\_\_\_ kW.
- Combination of the unit and the evaporator or fan coil unit will have a total net cooling capacity of \_\_\_\_\_ Btuh or greater at conditions of \_\_\_\_\_ CFM entering air temperature at the evaporator at \_\_\_\_\_ °F/°C wet bulb and \_\_\_\_\_ °F/°C dry bulb, and air entering the unit at \_\_\_\_\_ °F/°C.
- The system will have a SEER of \_\_\_\_\_ Btuh/watt or greater at DOE conditions.

#### Electrical Requirements

- Nominal unit electrical characteristics will be \_\_\_\_\_ v, single phase, 60 hz. The unit will be capable of satisfactory operation within voltage limits of \_\_\_\_\_ v to \_\_\_\_\_ v.
- Nominal unit electrical characteristics will be \_\_\_\_\_ v, three phase, 60 hz. The unit will be capable of satisfactory operation within voltage limits of \_\_\_\_\_ v to \_\_\_\_\_ v.
- Unit electrical power will be single point connection.
- Control circuit will be 24v.

#### Special Features

- Refer to section of this literature identifying accessories and descriptions for specific features and available enhancements.

**GENERAL TERMS OF LIMITED WARRANTY\***

Rheem will furnish a replacement for any part of this product which fails in normal use and service within the applicable period stated, in accordance with the terms of the limited warranty.

**\*For complete details of the Limited and Conditional Warranties, including applicable terms and conditions, contact your local contractor or the Manufacturer for a copy of the product warranty certificate.**

Conditional Parts  
(Registration Required) .....Ten (10) Years







The new degree of comfort.™

*In keeping with its policy of continuous progress and product improvement, Rheem reserves the right to make changes without notice.*

Rheem Heating, Cooling & Water Heating • P.O. Box 17010  
Fort Smith, Arkansas 72917 • [www.rheem.com](http://www.rheem.com)

Rheem Canada Ltd./Ltée • 125 Edgeware Road, Unit 1  
Brampton, Ontario • L6Y 0P5



INTEGRATED HOME COMFORT

PRINTED IN U.S.A. 3/15 QG FORM NO. A11-220 REV. 1