



The new degree of comfort.™



Rheem *Classic*® Series Dedicated Horizontal Package Heat Pump



RQNM- 13-SEER Series

Nominal Sizes 2-5 Tons [7-17.6 kW]

RQPM- 14-SEER Series

Nominal Sizes 2-5 Tons [7-17.6 kW]

RQRM- 15/16-SEER Series

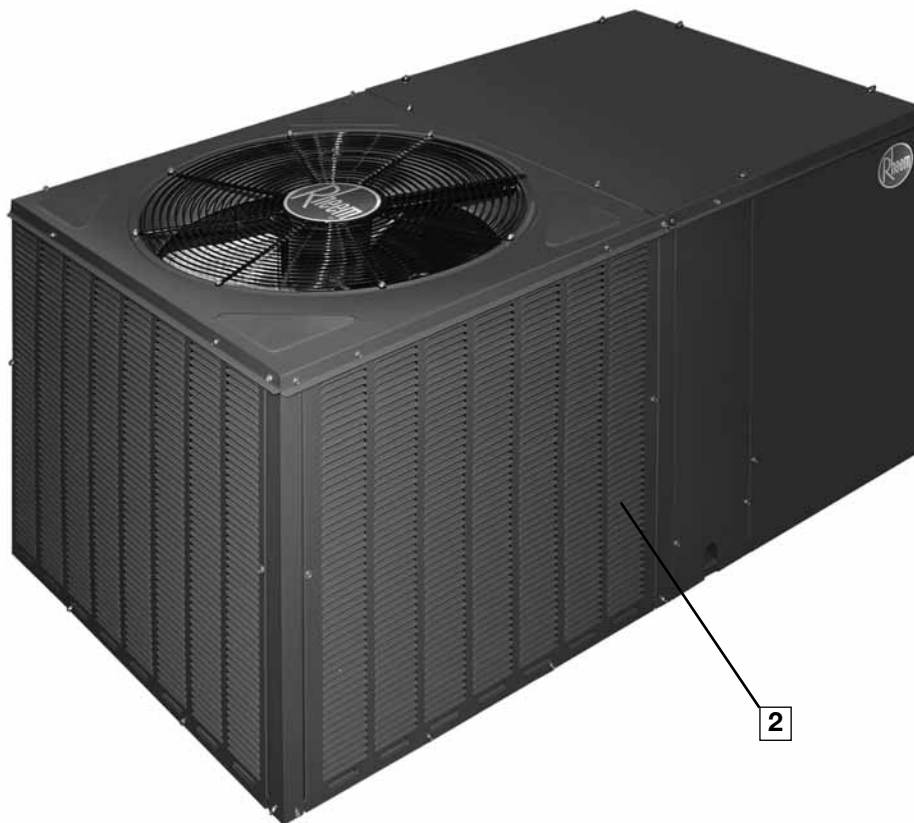
Nominal Sizes 2-5 Tons [7-17.6 kW]



"Proper sizing and installation of equipment is critical to achieve optimal performance. Ask your Contractor for details or visit www.energystar.gov."

TABLE OF CONTENTS

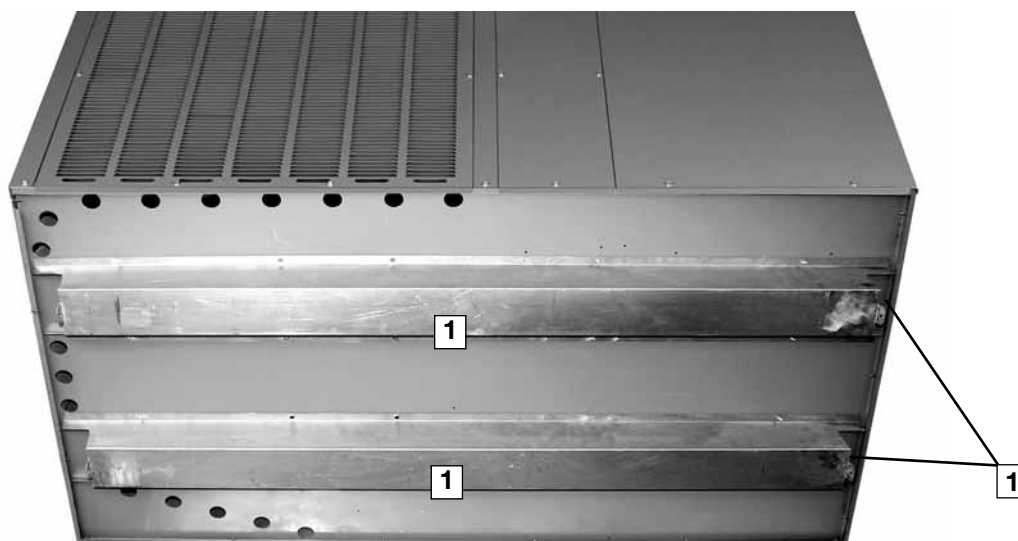
Unit Features & Benefits	3-6
Model Number Identification	7
General Data	
RQNM- Series	8-10
RQPM- Series	11-14
RQRM- Series	15-17
General Data Notes	18
Gross Systems Performance Data	
RQNM- Cooling Series	19-21
RQPM- Cooling Series	22-26
RQRM- Cooling Series	27-29
RQNM- Heating Series	30-32
RQPM- Heating Series	33-37
RQRM- Heating Series	38-40
Indoor Airflow Performance RQNM- Series	41-42
Indoor Airflow Performance RQPM- Series	43-44
Indoor Airflow Performance RQRM- Series	45-46
Electrical Data	
RQNM- Series	47
RQPM- Series	48-49
RQRM- Series	50
Electric Heater Kits	51-55
Dimensional Data	56
Typical Installations	57
Accessories	58
Wiring Diagrams	59-65
Limited Warranty	66



The RQNM, RQPM & RQRM series of Package Heat Pumps are designed to be the most efficient, quickest to install, easiest to service, and most reliable units in the industry – while still maintaining an affordable price. This platform provides you with a full line of nominal capacities from 2 through 5 tons. RQNM models are 13 SEER, RQPM models are 14 SEER and RQRM models are 15/16 SEER, each AHRI-certified.

Starting at the bottom, the base rails (1) allow for separation between the unit base and the ground level, protecting the base from ground moisture and providing air circulation around the unit. Constructed from sturdy 18-gauge G-90 sheet metal, the base rails also allow for easier maneuverability during installation.

As with all units offered by Rheem, we started our design process with input from the customer. From fan grille to the base rails, Rheem has combined 30 years worth of package unit design experience with input from Dealers to meet the latest application requirements.

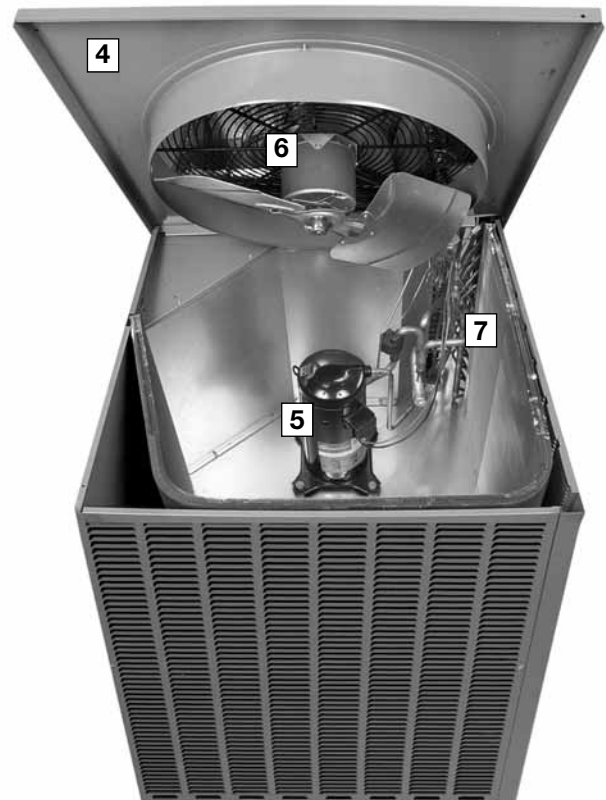


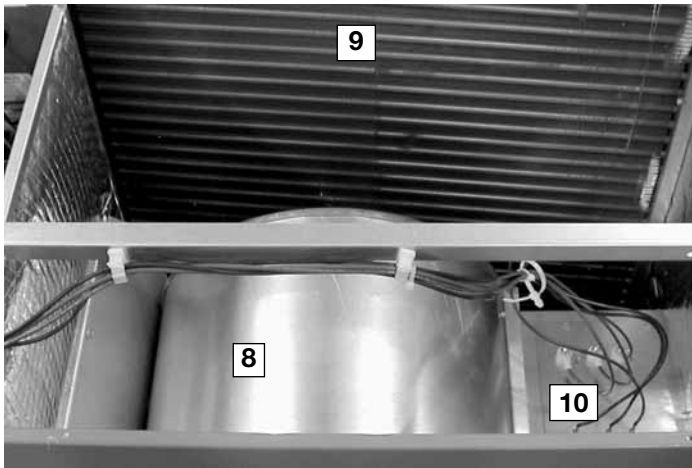


To provide flexibility in space-limited installations, the unit can be installed flush to the structure without blocking airflow over the outdoor coil or making any screws inaccessible for maintenance. Furthermore, the cabinet is a slim 33" wide. Full-louver coil protection (2) makes Rheem unique in the industry and also totally protects the outdoor coil from vandalism and weather extremes.

Two round 14" duct collar (3) are included with the unit, which makes attaching duct a snap. The collar is crimped around the leading edge, making it easier to install duct onto the collar. A metal bead around the circumference prevents the attached ducting from sliding off after installation.

Keeping service technicians in mind, Rheem takes pride providing easy access to internal components. The outdoor-section top cover (4) is easily removed to allow access to the scroll compressor (5), outdoor fan motor (6), and refrigerant tubing (7).

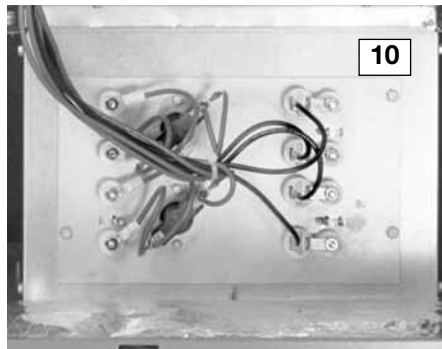




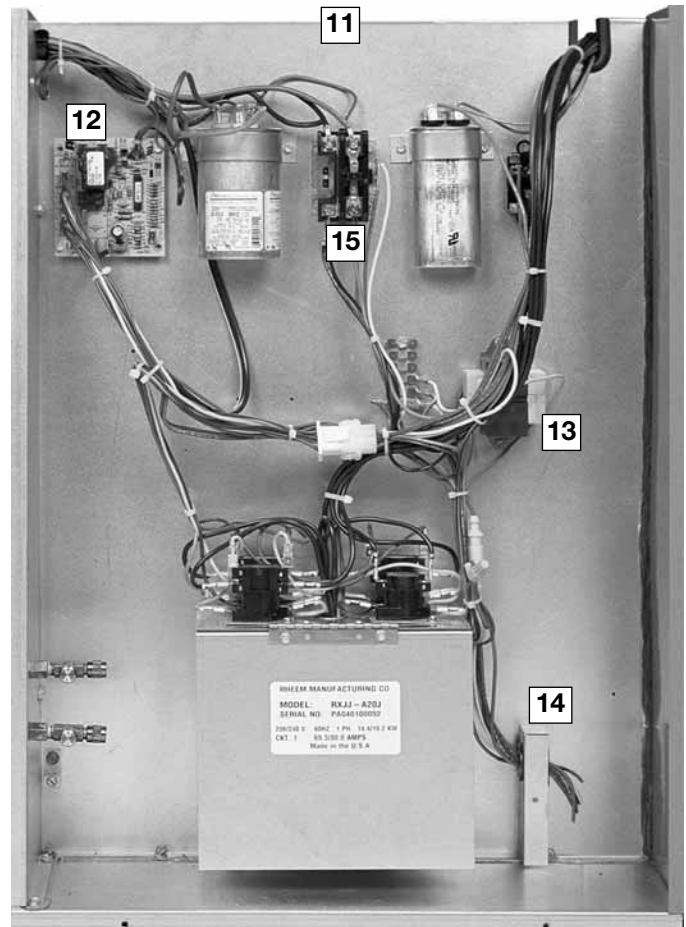
The indoor-section top cover also easily opens to access the removable blower housing and motor (**8**). This also gains total access to the indoor coil for cleaning and service (**9**).

The indoor motor and blower system will achieve nominal 400 CFM per ton up to a minimum of .8 inches of static pressure, which helps to eliminate customer dissatisfaction over poor air-flow brought about by high-static duct designs.

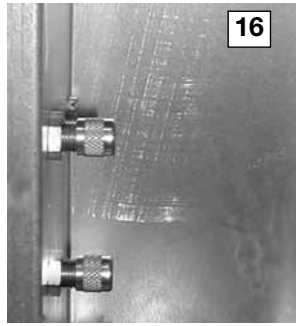
Optional electric heat (**10**) can be easily installed in the field, with either dual- or single-point power, and is designed to easily install into the unit. Electric heat can also be specified as factory installed.



The controls are located in a large, easy-to-access control box (**11**), which provides plenty of space in which to troubleshoot. A demand defrost control (**12**) is used to manage the defrost cycle. The transformer (**13**) is protected by an in-line fuse, which protects the transformer during a low-voltage electrical short. The low-voltage (**14**) and high-voltage (**15**) wiring connections are easily accessed and have ample room around which to maneuver. Troubleshooting is further aided with number- and color-coded wiring, which corresponds with the large, easy-to-read wiring diagram located on the inside of the control box access panel.



High and low pressure can easily and accurately be measured using the two gauge ports (16) located inside the control box.



A small side panel grants access to a removable, sloped drain pan (17), which helps to ensure indoor air quality (IAQ) throughout the life of the unit. A 3/4" drain trap (18) assembly is provided for convenience.

“Patent 7,430,877”



Foil-faced insulation is securely glued and captured to the cabinet. On the base of the unit, closed-cell insulation is used to prevent moisture from being absorbed and help reduce mold content to provide better indoor air quality.

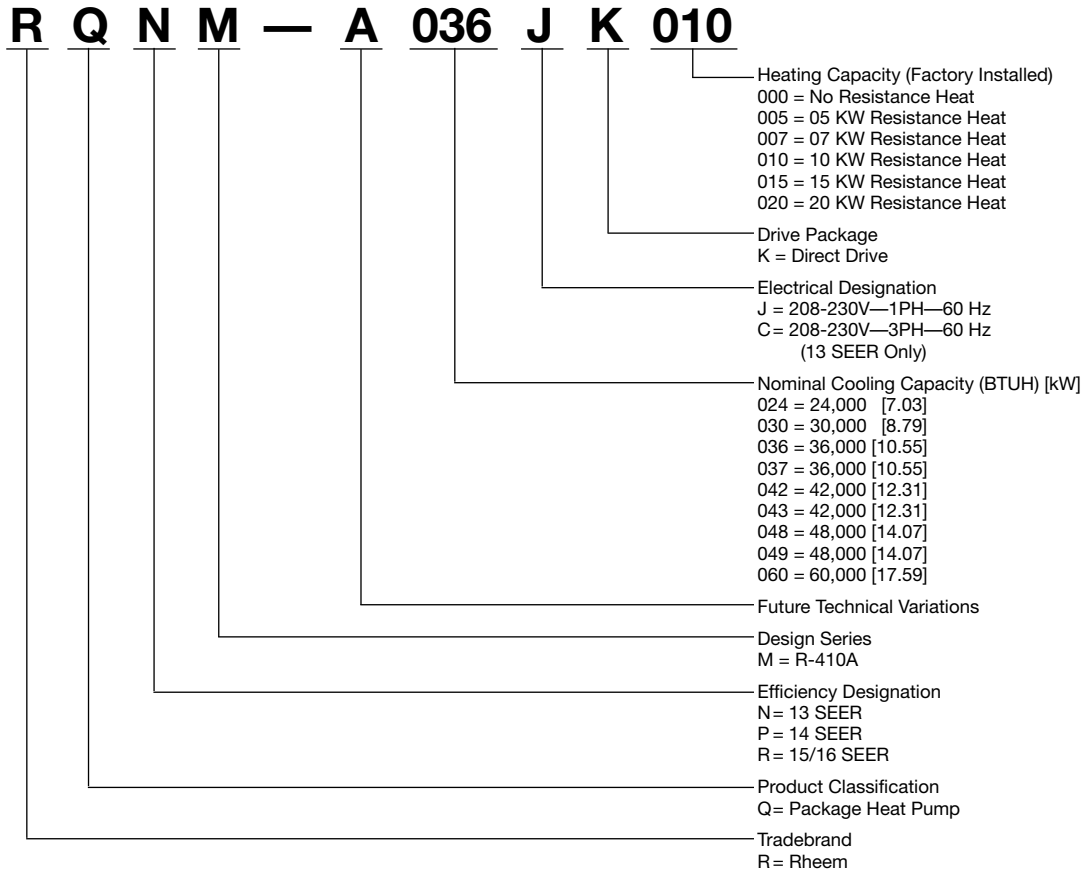
For reliability and long-lasting operation, Rheem uses 100% scroll compressor technology (19) on all package platforms. With over 18 years of history, the scroll compressor has proven to be reliable, efficient, and quiet during operation.

(Note: The RQRM- A060 uses a two stage scroll compressor).



Low pressure control standard on all models (20).
 High pressure control standard on -060 model.





[] Designates Metric Conversions

NOMINAL SIZES 2-5 TONS [7-17.6 kW]

Model RQNM- Series	A024JK	A030JK	A036CK	A036JK
Cooling Performance¹				CONTINUED →
Gross Cooling Capacity Btu [kW]	24,600 [7.21]	29,800 [8.73]	36,600 [10.72]	36,600 [10.72]
EER/SEER ²	11/13	11.15/13	11/13	11/13
Nominal CFM/AHRI Rated CFM [L/s]	800/800 [378/378]	1000/1000 [472/472]	1200/1200 [566/566]	1200/1200 [566/566]
AHRI Net Cooling Capacity Btu [kW]	23,600 [6.91]	28,800 [8.44]	35,200 [10.31]	35,200 [10.31]
Net Sensible Capacity Btu [kW]	18,200 [5.33]	22,400 [6.56]	27,000 [7.91]	27,000 [7.91]
Net Latent Capacity Btu [kW]	5,400 [1.58]	6,400 [1.88]	8,200 [2.4]	8,200 [2.4]
Net System Power kW	2.14	2.58	3.2	3.2
Heating Performance (Heat Pumps)³				
Heating Input Btu [kW] Rating	23,400 [6.86]	28,800 [8.44]	35,000 [10.26]	35,000 [10.26]
System Power KW/COP	2.07/3.34	2.45/3.44	2.95/3.48	2.95/3.48
Low Temp. Btuh [kW] Rating	13,800 [4.04]	16,200 [4.75]	19,200 [5.63]	19,200 [5.63]
System Power KW/COP	1.91/2.12	2.22/2.14	2.65/2.1	2.65/2.1
HSPF (Btu/Watts-hr)	7.7	7.7	7.7	7.7
Compressor				
No./Type	1/Scroll	1/Scroll	1/Scroll	1/Scroll
Outdoor Sound Rating (dB)⁴	76	76	76	76
Outdoor Coil—Fin Type	Louvered	Louvered	Louvered	Louvered
Tube Type	Rifled	Rifled	Rifled	Rifled
Tube Size in. [mm] OD	0.375 [9.5]	0.375 [9.5]	0.375 [9.5]	0.375 [9.5]
Face Area sq. ft. [sq. m]	10.44 [0.97]	12.65 [1.18]	12.65 [1.18]	12.65 [1.18]
Rows / FPI [FPcm]	1 / 20 [8]	1 / 20 [8]	1 / 20 [8]	1 / 20 [8]
Refrigerant Control	TX Valves	TX Valves	TX Valves	TX Valves
Indoor Coil—Fin Type	Louvered	Louvered	Louvered	Louvered
Tube Type	Rifled	Rifled	Rifled	Rifled
Tube Size in. [mm]	0.375 [9.5]	0.375 [9.5]	0.375 [9.5]	0.375 [9.5]
Face Area sq. ft. [sq. m]	4.33 [0.4]	4.33 [0.4]	4.33 [0.4]	4.33 [0.4]
Rows / FPI [FPcm]	2 / 15 [6]	3 / 13 [5]	3 / 13 [5]	3 / 13 [5]
Refrigerant Control	TX Valves	TX Valves	TX Valves	TX Valves
Drain Connection No./Size in. [mm]	1/1 [25.4]	1/1 [25.4]	1/1 [25.4]	1/1 [25.4]
Outdoor Fan—Type	Propeller	Propeller	Propeller	Propeller
No. Used/Diameter in. [mm]	1/24 [609.6]	1/24 [609.6]	1/24 [609.6]	1/24 [609.6]
Drive Type/No. Speeds	Direct/1	Direct/1	Direct/1	Direct/1
CFM [L/s]	3200 [1510]	3200 [1510]	3200 [1510]	3200 [1510]
No. Motors/HP	1 at 1/3 HP	1 at 1/3 HP	1 at 1/3 HP	1 at 1/3 HP
Motor RPM	825	825	825	825
Indoor Fan—Type	FC Centrifugal	FC Centrifugal	FC Centrifugal	FC Centrifugal
No. Used/Diameter in. [mm]	1/10x9 [254x228.6]	1/10x9 [254x228.6]	1/10x9 [254x228.6]	1/10x9 [254x228.6]
Drive Type/No. Speeds	Direct/2	Direct/2	Direct/2	Direct/2
No. Motors	1	1	1	1
Motor HP	1/4	1/3	1/2	1/2
Motor RPM	1033	1080	1050	1050
Motor Frame Size	48	48	48	48
Filter—Type	Field Supplied	Field Supplied	Field Supplied	Field Supplied
Furnished	No	No	No	No
(No.) Size Recommended in. [mm]	(1)1x20x16 [25x508x406]	(1)1x20x20 [25x508x508]	(1)1x24x24 [25x610x610]	(1)1x24x24 [25x610x610]
Refrigerant Charge Oz. [g]	90 [2552]	93 [2637]	93 [2637]	93 [2637]
Weights				
Net Weight lbs. [kg]	308 [140]	331 [150]	356 [161]	356 [161]
Ship Weight lbs. [kg]	332 [151]	355 [161]	380 [172]	380 [172]

See Page 18 for Notes.

[] Designates Metric Conversions

NOMINAL SIZES 2-5 TONS [7-17.6 kW]

Model RQNM- Series	A042CK	A042JK	A048CK	A048JK
Cooling Performance¹				CONTINUED →
Gross Cooling Capacity Btu [kW]	43,500 [12.75]	43,500 [12.75]	49,500 [14.5]	49,500 [14.5]
EER/SEER ²	11/13	11/13	11/13	11/13
Nominal CFM/AHRI Rated CFM [L/s]	1400/1450 [661/684]	1400/1450 [661/684]	1600/1550 [755/731]	1600/1550 [755/731]
AHRI Net Cooling Capacity Btu [kW]	42,000 [12.31]	42,000 [12.31]	47,500 [13.92]	47,500 [13.92]
Net Sensible Capacity Btu [kW]	30,000 [8.79]	30,000 [8.79]	35,900 [10.52]	35,900 [10.52]
Net Latent Capacity Btu [kW]	12,000 [3.52]	12,000 [3.52]	11,600 [3.4]	11,600 [3.4]
Net System Power kW	3.82	3.82	4.32	4.32
Heating Performance (Heat Pumps)³				
Heating Input Btu [kW] Rating	39,500 [11.57]	39,500 [11.57]	43,000 [12.6]	43,000 [12.6]
System Power KW/COP	3.56/3.24	3.56/3.24	3.92/3.44	3.92/3.44
Low Temp. Btuh [kW] Rating	22,800 [6.68]	22,800 [6.68]	25,600 [7.5]	25,600 [7.5]
System Power KW/COP	3.25/2.06	3.25/2.06	3.56/2.14	3.56/2.14
HSPF (Btu/Watts-hr)	7.7	7.7	7.7	7.7
Compressor				
No./Type	1/Scroll	1/Scroll	1/Scroll	1/Scroll
Outdoor Sound Rating (dB)⁴	78	78	78	78
Outdoor Coil—Fin Type	Louvered	Louvered	Louvered	Louvered
Tube Type	Rifled	Rifled	Rifled	Rifled
Tube Size in. [mm] OD	0.375 [9.5]	0.375 [9.5]	0.375 [9.5]	0.375 [9.5]
Face Area sq. ft. [sq. m]	16.54 [1.54]	16.54 [1.54]	16.54 [1.54]	16.54 [1.54]
Rows / FPI [FPcm]	1 / 22 [9]	1 / 22 [9]	1 / 22 [9]	1 / 22 [9]
Refrigerant Control	TX Valves	TX Valves	TX Valves	TX Valves
Indoor Coil—Fin Type	Louvered	Louvered	Louvered	Louvered
Tube Type	Rifled	Rifled	Rifled	Rifled
Tube Size in. [mm]	0.375 [9.5]	0.375 [9.5]	0.375 [9.5]	0.375 [9.5]
Face Area sq. ft. [sq. m]	5.78 [0.54]	5.78 [0.54]	5.78 [0.54]	5.78 [0.54]
Rows / FPI [FPcm]	3 / 13 [5]	3 / 13 [5]	3 / 13 [5]	3 / 13 [5]
Refrigerant Control	TX Valves	TX Valves	TX Valves	TX Valves
Drain Connection No./Size in. [mm]	1/1 [25.4]	1/1 [25.4]	1/1 [25.4]	1/1 [25.4]
Outdoor Fan—Type	Propeller	Propeller	Propeller	Propeller
No. Used/Diameter in. [mm]	1/24 [609.6]	1/24 [609.6]	1/24 [609.6]	1/24 [609.6]
Drive Type/No. Speeds	Direct/1	Direct/1	Direct/1	Direct/1
CFM [L/s]	4200 [1982]	4200 [1982]	4200 [1982]	4200 [1982]
No. Motors/HP	1 at 1/3 HP	1 at 1/3 HP	1 at 1/3 HP	1 at 1/3 HP
Motor RPM	1075	1075	1075	1075
Indoor Fan—Type	FC Centrifugal	FC Centrifugal	FC Centrifugal	FC Centrifugal
No. Used/Diameter in. [mm]	1/11x9 [279.4x228.6]	1/11x9 [279.4x228.6]	1/11x9 [279.4x228.6]	1/11x9 [279.4x228.6]
Drive Type/No. Speeds	Direct/2	Direct/2	Direct/2	Direct/2
No. Motors	1	1	1	1
Motor HP	1/2	1/2	3/4	3/4
Motor RPM	1075	1075	1075	1075
Motor Frame Size	48	48	48	48
Filter—Type	Field Supplied	Field Supplied	Field Supplied	Field Supplied
Furnished	No	No	No	No
(No.) Size Recommended in. [mm]	(1)1x24x24 [25x610x610]	(1)1x24x24 [25x610x610]	(1)1x24x24 [25x610x610]	(1)1x24x24 [25x610x610]
Refrigerant Charge Oz. [g]	128 [3629]	128 [3629]	120 [3402]	120 [3402]
Weights				
Net Weight lbs. [kg]	408 [185]	408 [185]	429 [195]	429 [195]
Ship Weight lbs. [kg]	434 [197]	434 [197]	455 [206]	455 [206]

See Page 18 for Notes.

[] Designates Metric Conversions

NOMINAL SIZES 2-5 TONS [7-17.6 kW]

Model RQNM- Series	A060CK	A060JK
Cooling Performance¹		
Gross Cooling Capacity Btu [kW]	62,000 [18.17]	62,000 [18.17]
EER/SEER ²	11/13	11/13
Nominal CFM/AHRI Rated CFM [L/s]	2000/1900 [944/897]	2000/1900 [944/897]
AHRI Net Cooling Capacity Btu [kW]	59,000 [17.29]	59,000 [17.29]
Net Sensible Capacity Btu [kW]	44,500 [13.04]	44,500 [13.04]
Net Latent Capacity Btu [kW]	14,500 [4.25]	14,500 [4.25]
Net System Power kW	5.36	5.36
Heating Performance (Heat Pumps)³		
Heating Input Btu [kW] Rating	61,000 [17.87]	61,000 [17.87]
System Power KW/COP	5.15/3.52	5.15/3.52
Low Temp. Btuh [kW] Rating	34,400 [10.08]	34,400 [10.08]
System Power KW/COP	4.64/2.18	4.64/2.18
HSPF (Btu/Watts-hr)	7.7	7.7
Compressor		
No./Type	1/Scroll	1/Scroll
Outdoor Sound Rating (dB)⁴		
	78	78
Outdoor Coil—Fin Type		
Tube Type	Louvered	Louvered
	Rifled	Rifled
Tube Size in. [mm] OD	0.375 [9.5]	0.375 [9.5]
Face Area sq. ft. [sq. m]	16.54 [1.54]	16.54 [1.54]
Rows / FPI [FPcm]	2 / 18 [7]	2 / 18 [7]
Refrigerant Control	TX Valves	TX Valves
Indoor Coil—Fin Type		
Tube Type	Louvered	Louvered
	Rifled	Rifled
Tube Size in. [mm]	0.375 [9.5]	0.375 [9.5]
Face Area sq. ft. [sq. m]	5.78 [0.54]	5.78 [0.54]
Rows / FPI [FPcm]	4 / 13 [5]	4 / 13 [5]
Refrigerant Control	TX Valves	TX Valves
Drain Connection No./Size in. [mm]	1/1 [25.4]	1/1 [25.4]
Outdoor Fan—Type		
	Propeller	Propeller
No. Used/Diameter in. [mm]	1/24 [609.6]	1/24 [609.6]
Drive Type/No. Speeds	Direct/1	Direct/1
CFM [L/s]	4000 [1888]	4000 [1888]
No. Motors/HP	1 at 1/3 HP	1 at 1/3 HP
Motor RPM	1075	1075
Indoor Fan—Type		
	FC Centrifugal	FC Centrifugal
No. Used/Diameter in. [mm]	1/11x9 [279.4x228.6]	1/11x9 [279.4x228.6]
Drive Type/No. Speeds	Direct/2	Direct/2
No. Motors	1	1
Motor HP	3/4	3/4
Motor RPM	1075	1075
Motor Frame Size	48	48
Filter—Type		
	Field Supplied	Field Supplied
Furnished	No	No
(No.) Size Recommended in. [mm]	(1)1x24x24 [25x610x610]	(1)1x24x24 [25x610x610]
Refrigerant Charge Oz. [g]		
	193 [5472]	193 [5472]
Weights		
Net Weight lbs. [kg]	481 [218]	481 [218]
Ship Weight lbs. [kg]	507 [230]	507 [230]

See Page 18 for Notes.

[] Designates Metric Conversions

NOMINAL SIZES 2-5 TONS [7-17.6 kW]

Model RQPM- Series	A024JK	A030JK	A036CK	A036JK
Cooling Performance¹				CONTINUED →
Gross Cooling Capacity Btu [kW]	24,000 [7.03]	29,400 [8.61]	36,000 [10.55]	36,000 [10.55]
EER/SEER ²	12/14	12.05/14	11.6/14	11.6/14
Nominal CFM/AHRI Rated CFM [L/s]	800/800 [378/378]	1000/1000 [472/472]	1200/1200 [566/566]	1200/1200 [566/566]
AHRI Net Cooling Capacity Btu [kW]	23,600 [6.91]	29,000 [8.5]	35,400 [10.37]	35,400 [10.37]
Net Sensible Capacity Btu [kW]	18,400 [5.39]	23,000 [6.74]	27,600 [8.09]	27,600 [8.09]
Net Latent Capacity Btu [kW]	5,200 [1.52]	6,000 [1.76]	7,800 [2.29]	7,800 [2.29]
Net System Power kW	1.97	2.41	3.05	3.05
Heating Performance (Heat Pumps)³				
Heating Input Btu [kW] Rating	23,200 [6.8]	28,000 [8.2]	34,200 [10.02]	34,200 [10.02]
System Power KW/COP	1.93/3.5	2.27/3.62	2.78/3.6	2.78/3.6
Low Temp. Btuh [kW] Rating	13,200 [3.87]	15,200 [4.45]	19,000 [5.57]	19,000 [5.57]
System Power KW/COP	1.71/2.26	2.01/2.22	2.48/2.24	2.48/2.24
HSPF (Btu/Watts-hr)	8.0	8.0	8.0	8.0
Compressor				
No./Type	1/Scroll	1/Scroll	1/Scroll	1/Scroll
Outdoor Sound Rating (dB)⁴	76	76	76	76
Outdoor Coil—Fin Type	Louvered	Louvered	Louvered	Louvered
Tube Type	Rifled	Rifled	Rifled	Rifled
Tube Size in. [mm] OD	0.375 [9.5]	0.375 [9.5]	0.375 [9.5]	0.375 [9.5]
Face Area sq. ft. [sq. m]	10.44 [0.97]	12.65 [1.18]	12.65 [1.18]	12.65 [1.18]
Rows / FPI [FPcm]	1 / 20 [8]	1 / 20 [8]	1 / 20 [8]	1 / 20 [8]
Refrigerant Control	TX Valves	TX Valves	TX Valves	TX Valves
Indoor Coil—Fin Type	Louvered	Louvered	Louvered	Louvered
Tube Type	Rifled	Rifled	Rifled	Rifled
Tube Size in. [mm]	0.375 [9.5]	0.375 [9.5]	0.375 [9.5]	0.375 [9.5]
Face Area sq. ft. [sq. m]	4.33 [0.4]	4.33 [0.4]	4.33 [0.4]	4.33 [0.4]
Rows / FPI [FPcm]	2 / 15 [6]	3 / 13 [5]	3 / 13 [5]	3 / 13 [5]
Refrigerant Control	TX Valves	TX Valves	TX Valves	TX Valves
Drain Connection No./Size in. [mm]	1/1 [25.4]	1/1 [25.4]	1/1 [25.4]	1/1 [25.4]
Outdoor Fan—Type	Propeller	Propeller	Propeller	Propeller
No. Used/Diameter in. [mm]	1/24 [609.6]	1/24 [609.6]	1/24 [609.6]	1/24 [609.6]
Drive Type/No. Speeds	Direct/1	Direct/1	Direct/1	Direct/1
CFM [L/s]	3200 [1510]	3200 [1510]	3200 [1510]	3200 [1510]
No. Motors/HP	1 at 1/3 HP	1 at 1/3 HP	1 at 1/3 HP	1 at 1/3 HP
Motor RPM	825	825	825	825
Indoor Fan—Type	FC Centrifugal	FC Centrifugal	FC Centrifugal	FC Centrifugal
No. Used/Diameter in. [mm]	1/10x9 [254x228.6]	1/10x9 [254x228.6]	1/10x9 [254x228.6]	1/10x9 [254x228.6]
Drive Type/No. Speeds	Direct/2	Direct/2	Direct/2	Direct/2
No. Motors	1	1	1	1
Motor HP	1/2	1/2	1/2	1/2
Motor RPM	1050	1050	1050	1050
Motor Frame Size	48	48	48	48
Filter—Type	Field Supplied	Field Supplied	Field Supplied	Field Supplied
Furnished	No	No	No	No
(No.) Size Recommended in. [mm]	(1)1x20x16 [25x508x406]	(1)1x20x20 [25x508x508]	(1)1x24x24 [25x610x610]	(1)1x24x24 [25x610x610]
Refrigerant Charge Oz. [g]	90 [2552]	93 [2637]	93 [2637]	93 [2637]
Weights				
Net Weight lbs. [kg]	308 [140]	331 [150]	356 [161]	356 [161]
Ship Weight lbs. [kg]	332 [151]	355 [161]	380 [172]	380 [172]

See Page 18 for Notes.

[] Designates Metric Conversions

NOMINAL SIZES 2-5 TONS [7-17.6 kW]

Model RQPM- Series	A037CK	A037JK	A042CK	A042JK
Cooling Performance¹				CONTINUED →
Gross Cooling Capacity Btu [kW]	36,000 [10.55]	36,000 [10.55]	44,000 [12.89]	44,000 [12.89]
EER/SEER ²	12/14	12/14	11.85/14	11.85/14
Nominal CFM/AHRI Rated CFM [L/s]	1200/1200 [566/566]	1200/1200 [566/566]	1400/1450 [661/684]	1400/1450 [661/684]
AHRI Net Cooling Capacity Btu [kW]	35,400 [10.37]	35,400 [10.37]	43,000 [12.6]	43,000 [12.6]
Net Sensible Capacity Btu [kW]	27,600 [8.09]	27,600 [8.09]	31,800 [9.32]	31,800 [9.32]
Net Latent Capacity Btu [kW]	7,800 [2.29]	7,800 [2.29]	11,200 [3.28]	11,200 [3.28]
Net System Power kW	3.05	3.05	3.63	3.63
Heating Performance (Heat Pumps)³				
Heating Input Btu [kW] Rating	34,200 [10.02]	34,200 [10.02]	38,500 [11.28]	38,500 [11.28]
System Power KW/COP	2.78/3.6	2.78/3.6	3.31/3.4	3.31/3.4
Low Temp. Btuh [kW] Rating	19,000 [5.57]	19,000 [5.57]	21,800 [6.39]	21,800 [6.39]
System Power KW/COP	2.48/2.24	2.48/2.24	3/2.06	3/2.06
HSPF (Btu/Watts-hr)	8	8	8.1	8.0
Compressor				
No./Type	1/Scroll	1/Scroll	1/Scroll	1/Scroll
Outdoor Sound Rating (dB)⁴	76	76	78	78
Outdoor Coil—Fin Type	Louvered	Louvered	Louvered	Louvered
Tube Type	Rifled	Rifled	Rifled	Rifled
Tube Size in. [mm] OD	0.375 [9.5]	0.375 [9.5]	0.375 [9.5]	0.375 [9.5]
Face Area sq. ft. [sq. m]	12.65 [1.18]	12.65 [1.18]	16.54 [1.54]	16.54 [1.54]
Rows / FPI [FPcm]	1 / 20 [8]	1 / 20 [8]	1 / 22 [9]	1 / 22 [9]
Refrigerant Control	TX Valves	TX Valves	TX Valves	TX Valves
Indoor Coil—Fin Type	Louvered	Louvered	Louvered	Louvered
Tube Type	Rifled	Rifled	Rifled	Rifled
Tube Size in. [mm]	0.375 [9.5]	0.375 [9.5]	0.375 [9.5]	0.375 [9.5]
Face Area sq. ft. [sq. m]	4.33 [0.4]	4.33 [0.4]	5.78 [0.54]	5.78 [0.54]
Rows / FPI [FPcm]	3 / 13 [5]	3 / 13 [5]	3 / 13 [5]	3 / 13 [5]
Refrigerant Control	TX Valves	TX Valves	TX Valves	TX Valves
Drain Connection No./Size in. [mm]	1/1 [25.4]	1/1 [25.4]	1/1 [25.4]	1/1 [25.4]
Outdoor Fan—Type	Propeller	Propeller	Propeller	Propeller
No. Used/Diameter in. [mm]	1/24 [609.6]	1/24 [609.6]	1/24 [609.6]	1/24 [609.6]
Drive Type/No. Speeds	Direct/1	Direct/1	Direct/1	Direct/1
CFM [L/s]	3200 [1510]	3200 [1510]	4200 [1982]	4200 [1982]
No. Motors/HP	1 at 1/3 HP	1 at 1/3 HP	1 at 1/3 HP	1 at 1/3 HP
Motor RPM	850	850	1075	1075
Indoor Fan—Type	FC Centrifugal	FC Centrifugal	FC Centrifugal	FC Centrifugal
No. Used/Diameter in. [mm]	1/10x9 [254x229]	1/10x9 [254x229]	1/11x9 [279.4x228.6]	1/11x9 [279.4x228.6]
Drive Type/No. Speeds	Direct/2	Direct/2	Direct/2	Direct/2
No. Motors	1	1	1	1
Motor HP	1/2	1/2	3/4	3/4
Motor RPM	1050	1050	1050	1050
Motor Frame Size	48	48	48	48
Filter—Type	Field Supplied	Field Supplied	Field Supplied	Field Supplied
Furnished	No	No	No	No
(No.) Size Recommended in. [mm]	(1)1x24x24 [25x610x610]	(1)1x24x24 [25x610x610]	(1)1x24x24 [25x610x610]	(1)1x24x24 [25x610x610]
Refrigerant Charge Oz. [g]	93 [2637]	93 [2637]	128 [3629]	128 [3629]
Weights				
Net Weight lbs. [kg]	356 [161]	356 [161]	408 [185]	408 [185]
Ship Weight lbs. [kg]	380 [172]	380 [172]	434 [197]	434 [197]

See Page 18 for Notes.

[] Designates Metric Conversions

NOMINAL SIZES 2-5 TONS [7-17.6 kW]

Model RQPM- Series	A043CK	A043JK	A048CK	A048JK
Cooling Performance¹				CONTINUED →
Gross Cooling Capacity Btu [kW]	43,500 [12.75]	43,500 [12.75]	49,000 [14.36]	49,000 [14.36]
EER/SEER ²	12/14	12/14	11.8/14	11.8/14
Nominal CFM/AHRI Rated CFM [L/s]	1400/1425 [661/672]	1400/1425 [661/672]	1600/1550 [755/731]	1600/1550 [755/731]
AHRI Net Cooling Capacity Btu [kW]	42,500 [12.45]	42,500 [12.45]	48,000 [14.06]	48,000 [14.06]
Net Sensible Capacity Btu [kW]	32,500 [9.52]	32,500 [9.52]	36,800 [10.78]	36,800 [10.78]
Net Latent Capacity Btu [kW]	10,000 [2.93]	10,000 [2.93]	11,200 [3.28]	11,200 [3.28]
Net System Power kW	3.44	3.44	4.07	4.07
Heating Performance (Heat Pumps)³				
Heating Input Btu [kW] Rating	40,000 [11.72]	40,000 [11.72]	42,000 [12.31]	42,000 [12.31]
System Power KW/COP	3.32/3.5	3.32/3.5	3.59/3.66	3.59/3.66
Low Temp. Btuh [kW] Rating	22,000 [6.45]	22,000 [6.45]	25,400 [7.44]	25,400 [7.44]
System Power KW/COP	3/2.14	3/2.14	3.22/2.3	3.22/2.3
HSPF (Btu/Watts-hr)	8	8	8.0	8.0
Compressor				
No./Type	1/Scroll	1/Scroll	1/Scroll	1/Scroll
Outdoor Sound Rating (dB)⁴	78	78	78	78
Outdoor Coil—Fin Type	Louvered	Louvered	Louvered	Louvered
Tube Type	Rifled	Rifled	Rifled	Rifled
Tube Size in. [mm] OD	0.375 [9.5]	0.375 [9.5]	0.375 [9.5]	0.375 [9.5]
Face Area sq. ft. [sq. m]	13.45 [1.25]	13.45 [1.25]	16.54 [1.54]	16.54 [1.54]
Rows / FPI [FPcm]	2 / 18 [7]	2 / 18 [7]	1 / 22 [9]	1 / 22 [9]
Refrigerant Control	TX Valves	TX Valves	TX Valves	TX Valves
Indoor Coil—Fin Type	Louvered	Louvered	Louvered	Louvered
Tube Type	Rifled	Rifled	Rifled	Rifled
Tube Size in. [mm]	0.375 [9.5]	0.375 [9.5]	0.375 [9.5]	0.375 [9.5]
Face Area sq. ft. [sq. m]	5.78 [0.54]	5.78 [0.54]	5.78 [0.54]	5.78 [0.54]
Rows / FPI [FPcm]	3 / 13 [5]	3 / 13 [5]	3 / 13 [5]	3 / 13 [5]
Refrigerant Control	TX Valves	TX Valves	TX Valves	TX Valves
Drain Connection No./Size in. [mm]	1/1 [25.4]	1/1 [25.4]	1/1 [25.4]	1/1 [25.4]
Outdoor Fan—Type	Propeller	Propeller	Propeller	Propeller
No. Used/Diameter in. [mm]	1/24 [609.6]	1/24 [609.6]	1/24 [609.6]	1/24 [609.6]
Drive Type/No. Speeds	Direct/1	Direct/1	Direct/1	Direct/1
CFM [L/s]	4200 [1982]	4200 [1982]	4200 [1982]	4200 [1982]
No. Motors/HP	1 at 1/3 HP	1 at 1/3 HP	1 at 1/3 HP	1 at 1/3 HP
Motor RPM	1075	1075	1075	1075
Indoor Fan—Type	FC Centrifugal	FC Centrifugal	FC Centrifugal	FC Centrifugal
No. Used/Diameter in. [mm]	1/11x9 [279x229]	1/11x9 [279x229]	1/11x9 [279.4x228.6]	1/11x9 [279.4x228.6]
Drive Type/No. Speeds	Direct/2	Direct/2	Direct/2	Direct/2
No. Motors	1	1	1	1
Motor HP	3/4	3/4	3/4	3/4
Motor RPM	1050	1050	1050	1050
Motor Frame Size	48	48	48	48
Filter—Type	Field Supplied	Field Supplied	Field Supplied	Field Supplied
Furnished	No	No	No	No
(No.) Size Recommended in. [mm]	(1)1x24x24 [25x610x610]	(1)1x24x24 [25x610x610]	(1)1x24x24 [25x610x610]	(1)1x24x24 [25x610x610]
Refrigerant Charge Oz. [g]	161 [4564]	161 [4564]	120 [3402]	120 [3402]
Weights				
Net Weight lbs. [kg]	408 [185]	408 [185]	429 [195]	429 [195]
Ship Weight lbs. [kg]	434 [197]	434 [197]	455 [206]	455 [206]

See Page 18 for Notes.

[] Designates Metric Conversions

NOMINAL SIZES 2-5 TONS [7-17.6 kW]

Model RQPM- Series	A049CK	A049JK	A060CK	A060JK
Cooling Performance¹				
Gross Cooling Capacity Btu [kW]	49,000 [14.36]	49,000 [14.36]	61,000 [17.87]	61,000 [17.87]
EER/SEER ²	12/14	12/14	12.0/14	12.0/14
Nominal CFM/AHRI Rated CFM [L/s]	1600/1550 [755/731]	1600/1550 [755/731]	2000/1900 [944/897]	2000/1900 [944/897]
AHRI Net Cooling Capacity Btu [kW]	48,000 [14.06]	48,000 [14.06]	59,500 [17.43]	59,500 [17.43]
Net Sensible Capacity Btu [kW]	36,800 [10.78]	36,800 [10.78]	45,300 [13.27]	45,300 [13.27]
Net Latent Capacity Btu [kW]	11,200 [3.28]	11,200 [3.28]	14,200 [4.16]	14,200 [4.16]
Net System Power kW	4	4	5.00	5.00
Heating Performance (Heat Pumps)³				
Heating Input Btu [kW] Rating	42,000 [12.31]	42,000 [12.31]	59,500 [17.43]	59,500 [17.43]
System Power KW/COP	3.59/3.66	3.59/3.66	4.74/3.72	4.74/3.72
Low Temp. Btuh [kW] Rating	25,400 [7.44]	25,400 [7.44]	36,600 [10.72]	36,600 [10.72]
System Power KW/COP	3.22/2.3	3.22/2.3	4.26/2.54	4.26/2.54
HSPF (Btu/Watts-hr)	8	8	8	8
Compressor				
No./Type	1/Scroll	1/Scroll	1/Scroll	1/Scroll
Outdoor Sound Rating (dB)⁴				
	78	78	78	78
Outdoor Coil—Fin Type				
Tube Type	Louvered	Louvered	Louvered	Louvered
Tube Size in. [mm] OD	Rifled	Rifled	Rifled	Rifled
Tube Size in. [mm] OD	0.375 [9.5]	0.375 [9.5]	0.375 [9.5]	0.375 [9.5]
Face Area sq. ft. [sq. m]	16.54 [1.54]	16.54 [1.54]	16.54 [1.54]	16.54 [1.54]
Rows / FPI [FPcm]	1 / 22 [9]	1 / 22 [9]	2 / 18 [7]	2 / 18 [7]
Refrigerant Control	TX Valves	TX Valves	TX Valves	TX Valves
Indoor Coil—Fin Type				
Tube Type	Louvered	Louvered	Louvered	Louvered
Tube Type	Rifled	Rifled	Rifled	Rifled
Tube Size in. [mm]	0.375 [9.5]	0.375 [9.5]	0.375 [9.5]	0.375 [9.5]
Face Area sq. ft. [sq. m]	5.78 [0.54]	5.78 [0.54]	5.78 [0.54]	5.78 [0.54]
Rows / FPI [FPcm]	3 / 13 [5]	3 / 13 [5]	4 / 13 [5]	4 / 13 [5]
Refrigerant Control	TX Valves	TX Valves	TX Valves	TX Valves
Drain Connection No./Size in. [mm]	1/1 [25.4]	1/1 [25.4]	1/1 [25.4]	1/1 [25.4]
Outdoor Fan—Type				
Propeller	Propeller	Propeller	Propeller	Propeller
No. Used/Diameter in. [mm]	1/24 [609.6]	1/24 [609.6]	1/24 [609.6]	1/24 [609.6]
Drive Type/No. Speeds	Direct/1	Direct/1	Direct/1	Direct/1
CFM [L/s]	4200 [1982]	4200 [1982]	4000 [1888]	4000 [1888]
No. Motors/HP	1 at 1/3 HP	1 at 1/3 HP	1 at 1/3 HP	1 at 1/3 HP
Motor RPM	908	908	1075	1075
Indoor Fan—Type				
FC Centrifugal	FC Centrifugal	FC Centrifugal	FC Centrifugal	FC Centrifugal
No. Used/Diameter in. [mm]	1/11x9 [279x229]	1/11x9 [279x229]	1/11x9 [279.4x228.6]	1/11x9 [279.4x228.6]
Drive Type/No. Speeds	Direct/2	Direct/2	Direct/2	Direct/2
No. Motors	1	1	1	1
Motor HP	3/4	3/4	1	1
Motor RPM	1050	1050	1050	1050
Motor Frame Size	48	48	48	48
Filter—Type				
Field Supplied	Field Supplied	Field Supplied	Field Supplied	Field Supplied
Furnished	No	No	No	No
(No.) Size Recommended in. [mm]	(1)1x24x24 [25x610x610]	(1)1x24x24 [25x610x610]	(1)1x24x24 [25x610x610]	(1)1x24x24 [25x610x610]
Refrigerant Charge Oz. [g]				
	120 [3402]	120 [3402]	193 [5472]	193 [5472]
Weights				
Net Weight lbs. [kg]	429 [195]	429 [195]	481 [218]	481 [218]
Ship Weight lbs. [kg]	455 [206]	455 [206]	507 [230]	507 [230]

See Page 18 for Notes.

[] Designates Metric Conversions

NOMINAL SIZES 2-5 TONS [7-17.6 kW]

Model RQRM- Series	A024JK	A030JK	A036JK	A042JK
Cooling Performance¹				CONTINUED →
Gross Cooling Capacity Btu [kW]	24,400 [7.15]	29,600 [8.67]	35,000 [10.25]	43,000 [12.6]
EER/SEER ²	13/16	13/16	13/16	13/16
Nominal CFM/AHRI Rated CFM [L/s]	800/900 [378/425]	1000/1000 [472/472]	1200/1200 [566/566]	1400/1425 [661/672]
AHRI Net Cooling Capacity Btu [kW]	24,000 [7.03]	29,200 [8.56]	34,400 [10.08]	42,000 [12.31]
Net Sensible Capacity Btu [kW]	20,000 [5.86]	23,050 [6.75]	27,000 [7.91]	32,200 [9.43]
Net Latent Capacity Btu [kW]	4,000 [1.17]	6,150 [1.8]	7,400 [2.17]	9,800 [2.87]
Net System Power kW	1.85	2.13	2.58	3.14
Heating Performance (Heat Pumps)³				
Heating Input Btu [kW] Rating	23,800 [6.97]	28,800 [8.44]	33,200 [9.73]	39,500 [11.57]
System Power KW/COP	1.79/3.9	2.11/4	2.63/3.7	2.89/4
Low Temp. Btuh [kW] Rating	11,700 [3.43]	16,000 [4.69]	18,600 [5.45]	22,400 [6.56]
System Power KW/COP	1.65/2.08	1.95/2.4	2.37/2.3	2.74/2.4
HSPF (Btu/Watts-hr)	8	8	8	8.5
Compressor				
No./Type	1/Scroll	1/Scroll	1/Scroll	1/Scroll
Outdoor Sound Rating (dB)⁴	76	76	76	76
Outdoor Coil—Fin Type	Louvered	Louvered	Louvered	Louvered
Tube Type	Rifled	Rifled	Rifled	Rifled
Tube Size in. [mm] OD	0.375 [9.5]	0.375 [9.5]	0.375 [9.5]	0.375 [9.5]
Face Area sq. ft. [sq. m]	12.12 [1.13]	16.54 [1.54]	16.54 [1.54]	15.85 [1.47]
Rows / FPI [FPcm]	2 / 18 [7]	2 / 18 [7]	2 / 18 [7]	2 / 18 [7]
Refrigerant Control	TX Valves	TX Valves	TX Valves	TX Valves
Indoor Coil—Fin Type	Louvered	Louvered	Louvered	Louvered
Tube Type	Rifled	Rifled	Rifled	Rifled
Tube Size in. [mm]	0.375 [9.5]	0.375 [9.5]	0.375 [9.5]	0.375 [9.5]
Face Area sq. ft. [sq. m]	4.33 [0.4]	5.78 [0.54]	5.78 [0.54]	5.78 [0.54]
Rows / FPI [FPcm]	3 / 13 [5]	3 / 13 [5]	3 / 13 [5]	4 / 13 [5]
Refrigerant Control	TX Valves	TX Valves	TX Valves	TX Valves
Drain Connection No./Size in. [mm]	1/1 [25.4]	1/1 [25.4]	1/1 [25.4]	1/1 [25.4]
Outdoor Fan—Type	Propeller	Propeller	Propeller	Propeller
No. Used/Diameter in. [mm]	1/24 [609.6]	1/24 [609.6]	1/24 [609.6]	1/24 [609.6]
Drive Type/No. Speeds	Direct/1	Direct/1	Direct/1	Direct/1
CFM [L/s]	3200 [1510]	3200 [1510]	3200 [1510]	4200 [1982]
No. Motors/HP	1 at 1/3 HP	1 at 1/3 HP	1 at 1/3 HP	1 at 1/3 HP
Motor RPM	825	825	825	1075
Indoor Fan—Type	FC Centrifugal	FC Centrifugal	FC Centrifugal	FC Centrifugal
No. Used/Diameter in. [mm]	1/10x9 [254x229]	1/10x9 [254x229]	1/10x9 [254x229]	1/11x9 [279x229]
Drive Type/No. Speeds	Direct/2	Direct/2	Direct/2	Direct/2
No. Motors	1	1	1	1
Motor HP	1/2	1/2	1/2	3/4
Motor RPM	1050	1050	1050	1050
Motor Frame Size	48	48	48	48
Filter—Type	Field Supplied	Field Supplied	Field Supplied	Field Supplied
Furnished	No	No	No	No
(No.) Size Recommended in. [mm]	(1)1x20x16 [25x508x406]	(1)1x20x20 [25x508x508]	(1)1x24x24 [25x610x610]	(1)1x24x24 [25x610x610]
Refrigerant Charge Oz. [g]	176 [4990]	203 [5755]	194 [5500]	206 [5840]
Weights				
Net Weight lbs. [kg]	385 [175]	429 [195]	429 [195]	479 [217]
Ship Weight lbs. [kg]	409 [186]	455 [206]	455 [206]	505 [229]

See Page 18 for Notes.

[] Designates Metric Conversions

NOMINAL SIZES 2-5 TONS [7-17.6 kW]

Model RQRM- Series	A048JK
Cooling Performance¹	
Gross Cooling Capacity Btu [kW]	46,500 [13.62]
EER/SEER ²	13/16
Nominal CFM/AHRI Rated CFM [L/s]	1600/1525 [755/720]
AHRI Net Cooling Capacity Btu [kW]	45,500 [13.33]
Net Sensible Capacity Btu [kW]	34,700 [10.17]
Net Latent Capacity Btu [kW]	10,800 [3.16]
Net System Power kW	3.45
Heating Performance (Heat Pumps)³	
Heating Input Btu [kW] Rating	43,500 [12.75]
System Power KW/COP	3.19/4
Low Temp. Btuh [kW] Rating	23,800 [6.97]
System Power KW/COP	2.79/2.5
HSPF (Btu/Watts-hr)	8.5
Compressor	
No./Type	1/Scroll
Outdoor Sound Rating (dB)⁴	
	78
Outdoor Coil—Fin Type	
Tube Type	Louvered
Tube Size in. [mm] OD	Rifled
Face Area sq. ft. [sq. m]	0.375 [9.5]
Rows / FPI [FPcm]	16.54 [1.54]
Refrigerant Control	2 / 18 [7]
	TX Valves
Indoor Coil—Fin Type	
Tube Type	Louvered
Tube Size in. [mm]	Rifled
Face Area sq. ft. [sq. m]	0.375 [9.5]
Rows / FPI [FPcm]	5.78 [0.54]
Refrigerant Control	4 / 13 [5]
Drain Connection No./Size in. [mm]	TX Valves
	1/1 [25.4]
Outdoor Fan—Type	
No. Used/Diameter in. [mm]	Propeller
Drive Type/No. Speeds	1/24 [609.6]
CFM [L/s]	Direct/1
No. Motors/HP	4200 [1982]
Motor RPM	1 at 1/3 HP
	1075
Indoor Fan—Type	
No. Used/Diameter in. [mm]	FC Centrifugal
Drive Type/No. Speeds	1/11x9 [279x229]
No. Motors	Direct/2
Motor HP	1
Motor RPM	3/4
Motor Frame Size	1050
	48
Filter—Type	
Furnished	Field Supplied
(No.) Size Recommended in. [mm]	No
	(1)1x24x24 [25x610x610]
Refrigerant Charge Oz. [g]	
	216 [6124]
Weights	
Net Weight lbs. [kg]	469 [213]
Ship Weight lbs. [kg]	495 [225]

See Page 18 for Notes.

[] Designates Metric Conversions

NOMINAL SIZES 2-5 TONS [7-17.6 kW]

Model RQRM- Series	A060JK
Cooling Performance¹	
Gross Cooling Capacity (2nd Stage) Btu [kW]	57,500 [16.85]
SEER ²	15
EER (1st stage / 2nd stage)	12.6/12.0
AHRI Rated CFM (1st / 2nd stage) [L/s]	1400 [660] / 1700 [802]
AHRI Net Cooling Capacity (1st / 2nd stage) Btu [kW]	40,900 [11.98] / 56,000 [16.41]
Net Sensible Capacity (1st / 2nd stage) Btu [kW]	32,850 [9.62] / 41,450 [12.14]
Net Latent Capacity (1st / 2nd stage) Btu [kW]	8,050 [2.35] / 14,550 [4.26]
Net System Power (1st / 2nd stage) [kW]	3.24 / 4.63
Heating Performance (Heat Pumps)³	
High Temp. (1st stage / 2nd stage) Btu/h [kW] Rating	38,000 [11.13] / 54,800 [16.06]
System Power (1st stage / 2nd stage) COP	3.68/3.82
System Power (1st stage / 2nd stage) KW	3.04/4.2
Low Temp. (1st stage / 2nd stage) Btu/h [kW] Rating	20,800 [6.09] / 31,600 [9.26]
System Power (1st stage / 2nd stage) COP	2.15/2.54
System Power (1st stage / 2nd stage) KW	2.86/3.65
HSPF (Btu/Watts-hr)	8.5
Compressor	
No./Type	1/Scroll
Outdoor Sound Rating (dB)⁴	
	78
Outdoor Coil—Fin Type	
Tube Type	Louvered
	Rifled
Tube Size in. [mm] OD	0.375 [9.5]
Face Area sq. ft. [sq. m]	16.54 [1.54]
Rows / FPI [FPcm]	2 / 18 [7]
Refrigerant Control	TX Valves
Indoor Coil—Fin Type	
	Louvered
Tube Type	Rifled
Tube Size in. [mm]	0.375 [9.5]
Face Area sq. ft. [sq. m]	5.78 [0.54]
Rows / FPI [FPcm]	4 / 13 [5]
Refrigerant Control	TX Valves
Drain Connection No./Size in. [mm]	1/1 [25.4]
Outdoor Fan—Type	
	Propeller
No. Used/Diameter in. [mm]	1/24 [609.6]
Drive Type/No. Speeds	Direct/1
CFM [L/s]	4200 [1982]
No. Motors/HP	1 at 1/3 HP
Motor RPM	1075
Indoor Fan—Type	
	FC Centrifugal
No. Used/Diameter in. [mm]	1/11x9 [279x229]
Drive Type/No. Speeds	Direct/2
No. Motors	1
Motor HP	1
Motor RPM	1050
Motor Frame Size	48
Filter—Type	
	Field Supplied
Furnished	No
(NO.) Size Recommended in. [mm x mm x mm]	(1)1x24x24 [25x610x610]
Refrigerant Charge Oz. [g]	
	202 [5727]
Weights	
Net Weight lbs. [kg]	482 [219]
Ship Weight lbs. [kg]	508 [230]

See Page 18 for Notes.

[] Designates Metric Conversions



NOTES:

1. Cooling Performance is rated at 95° F ambient, 80° F entering dry bulb, 67° F entering wet bulb. Gross capacity does not include the effect of fan motor heat. AHRI capacity is net and includes the effect of fan motor heat. Units are suitable for operation to $\pm 20\%$ of nominal cfm. Units are certified in accordance with the Unitary Air Conditioner Equipment certification program, which is based on AHRI Standard 210/240 or 360.
2. EER and/or SEER are rated at AHRI conditions and in accordance with DOE test procedures.
3. Heating Performance is rated at 47° F ambient, 70° F entering dry bulb for High Temp rating and 17° ambient, 70° F entering dry bulb for Low Temp rating. Performance ratings do include the effect of fan motor heat.
4. Outdoor Sound Rating shown is tested in accordance with AHRI Standard 270.



GROSS SYSTEMS COOLING PERFORMANCE DATA—RQNM-A024

		ENTERING INDOOR AIR @ 80°F [26.7°C] dbE ①									
wbE		71°F [21.7°C]			67°F [19.4°C]			63°F [17.2°C]			
CFM [L/s]		960 [453]	800 [378]	640 [302]	960 [453]	800 [378]	640 [302]	960 [453]	800 [378]	640 [302]	
DR ①		.02	.06	.09	.02	.06	.09	.02	.06	.09	
OUTDOOR DRY BULB TEMPERATURE °F [°C]	75 [23.9]	Total BTUH [kW] Sens BTUH [kW] Power	30.8 [9.0] 19.1 [5.6] 1.6	29.7 [8.7] 16.4 [4.8] 1.6	28.6 [8.4] 13.9 [4.1] 1.6	28.9 [8.5] 23.2 [6.8] 1.7	27.9 [8.2] 20.2 [5.9] 1.6	26.9 [7.9] 17.4 [5.1] 1.6	27.6 [8.1] 26.1 [7.7] 1.7	26.7 [7.8] 23.0 [6.8] 1.6	25.7 [7.5] 19.9 [5.8] 1.6
	80 [26.7]	Total BTUH [kW] Sens BTUH [kW] Power	30.0 [8.8] 18.9 [5.5] 1.7	28.9 [8.5] 16.2 [4.8] 1.7	27.9 [8.2] 13.8 [4.1] 1.6	28.1 [8.2] 23.1 [6.8] 1.7	27.1 [7.9] 20.1 [5.9] 1.7	26.1 [7.6] 17.3 [5.1] 1.6	26.8 [7.9] 25.9 [7.6] 1.7	25.9 [7.6] 22.8 [6.7] 1.7	24.9 [7.3] 19.8 [5.8] 1.7
	85 [29.4]	Total BTUH [kW] Sens BTUH [kW] Power	29.1 [8.5] 18.6 [5.5] 1.8	28.1 [8.2] 16.0 [4.7] 1.7	27.1 [7.9] 13.6 [4.0] 1.7	27.2 [8.0] 22.7 [6.7] 1.8	26.3 [7.7] 19.9 [5.8] 1.7	25.3 [7.4] 17.1 [5.0] 1.7	25.9 [7.6] 25.6 [7.5] 1.8	25.0 [7.3] 22.5 [6.6] 1.7	24.1 [7.1] 19.6 [5.8] 1.7
	90 [32.2]	Total BTUH [kW] Sens BTUH [kW] Power	28.2 [8.3] 18.3 [5.4] 1.8	27.2 [8.0] 15.7 [4.6] 1.8	26.2 [7.7] 13.3 [3.9] 1.8	26.3 [7.7] 22.3 [6.5] 1.8	25.4 [7.4] 19.5 [5.7] 1.8	24.5 [7.2] 16.9 [5.0] 1.8	25.0 [7.3] 25.0 [7.3] 1.8	24.2 [7.1] 22.3 [6.5] 1.8	23.3 [6.8] 19.4 [5.7] 1.8
	95 [35]	Total BTUH [kW] Sens BTUH [kW] Power	27.3 [8.0] 17.8 [5.2] 1.9	26.3 [7.7] 15.3 [4.5] 1.9	25.4 [7.4] 13.1 [3.8] 1.8	25.4 [7.4] 21.9 [6.4] 1.9	24.5 [7.2] 19.1 [5.6] 1.9	23.6 [6.9] 16.5 [4.8] 1.8	24.1 [7.1] 24.1 [7.1] 1.9	23.3 [6.8] 21.9 [6.4] 1.9	22.4 [6.6] 19.0 [5.6] 1.8
	100 [37.8]	Total BTUH [kW] Sens BTUH [kW] Power	26.3 [7.7] 17.2 [5.1] 2.0	25.4 [7.4] 14.8 [4.3] 1.9	24.5 [7.2] 12.6 [3.7] 1.9	24.5 [7.2] 21.3 [6.3] 2.0	23.6 [6.9] 18.6 [5.5] 1.9	22.7 [6.7] 16.0 [4.7] 1.9	23.2 [6.8] 23.2 [6.8] 2.0	22.3 [6.5] 21.3 [6.3] 1.9	21.5 [6.3] 18.6 [5.5] 1.9
	105 [40.6]	Total BTUH [kW] Sens BTUH [kW] Power	25.3 [7.4] 16.5 [4.8] 2.1	24.4 [7.2] 14.2 [4.2] 2.0	23.6 [6.9] 12.1 [3.6] 2.0	23.5 [6.9] 20.7 [6.1] 2.1	22.6 [6.6] 18.0 [5.3] 2.0	21.8 [6.4] 15.6 [4.6] 2.0	22.2 [6.5] 22.2 [6.5] 2.1	21.4 [6.3] 20.8 [6.1] 2.0	20.6 [6.0] 18.1 [5.3] 2.0
	110 [43.3]	Total BTUH [kW] Sens BTUH [kW] Power	24.3 [7.1] 15.7 [4.6] 2.1	23.5 [6.9] 13.6 [4.0] 2.1	22.6 [6.6] 11.5 [3.4] 2.1	22.4 [6.6] 19.8 [5.8] 2.1	21.6 [6.3] 17.3 [5.1] 2.1	20.9 [6.1] 15.1 [4.4] 2.1	21.1 [6.2] 21.1 [6.2] 2.1	20.4 [6.0] 20.1 [5.9] 2.1	19.7 [5.8] 17.6 [5.2] 2.1
	115 [46.1]	Total BTUH [kW] Sens BTUH [kW] Power	23.2 [6.8] 14.9 [4.4] 2.2	22.4 [6.6] 12.8 [3.8] 2.2	21.6 [6.3] 10.9 [3.2] 2.1	21.4 [6.3] 19.0 [5.6] 2.2	20.6 [6.0] 16.6 [4.9] 2.2	19.9 [5.8] 14.4 [4.2] 2.1	20.1 [5.9] 20.1 [5.9] 2.2	19.4 [5.7] 19.4 [5.7] 2.2	18.7 [5.5] 17.0 [5.0] 2.1

GROSS SYSTEMS COOLING PERFORMANCE DATA—RQNM-A030

		ENTERING INDOOR AIR @ 80°F [26.7°C] dbE ①									
wbE		71°F [21.7°C]			67°F [19.4°C]			63°F [17.2°C]			
CFM [L/s]		1200 [566]	1000 [472]	800 [378]	1200 [566]	1000 [472]	800 [378]	1200 [566]	1000 [472]	800 [378]	
DR ①		.04	.06	.01	.04	.06	.01	.04	.06	.01	
OUTDOOR DRY BULB TEMPERATURE °F [°C]	75 [23.9]	Total BTUH [kW] Sens BTUH [kW] Power	38.7 [11.3] 24.8 [7.3] 1.9	37.3 [10.9] 21.3 [6.3] 1.8	35.9 [10.5] 18.0 [5.3] 1.8	35.5 [10.4] 29.0 [8.5] 1.9	34.3 [10.1] 25.3 [7.4] 1.8	33.0 [9.7] 21.8 [6.4] 1.8	33.9 [9.9] 32.5 [9.5] 1.9	32.7 [9.6] 28.5 [8.4] 1.8	31.5 [9.2] 24.8 [7.3] 1.8
	80 [26.7]	Total BTUH [kW] Sens BTUH [kW] Power	37.5 [11.0] 24.3 [7.1] 2.0	36.2 [10.6] 20.9 [6.1] 1.9	34.9 [10.2] 17.8 [5.2] 1.9	34.4 [10.1] 28.5 [8.4] 2.0	33.2 [9.7] 24.9 [7.3] 1.9	32.0 [9.4] 21.5 [6.3] 1.9	32.8 [9.6] 32.0 [9.4] 2.0	31.6 [9.3] 28.1 [8.2] 1.9	30.5 [8.9] 24.5 [7.2] 1.9
	85 [29.4]	Total BTUH [kW] Sens BTUH [kW] Power	36.4 [10.7] 23.8 [7.0] 2.1	35.1 [10.3] 20.5 [6.0] 2.0	33.8 [9.9] 17.4 [5.1] 2.0	33.2 [9.7] 28.0 [8.2] 2.1	32.1 [9.4] 24.5 [7.2] 2.0	30.9 [9.1] 21.1 [6.2] 2.0	31.6 [9.3] 31.5 [9.2] 2.1	30.5 [8.9] 27.7 [8.1] 2.0	29.4 [8.6] 24.1 [7.1] 2.0
	90 [32.2]	Total BTUH [kW] Sens BTUH [kW] Power	35.2 [10.3] 23.2 [6.8] 2.2	34.0 [10.0] 20.0 [5.9] 2.2	32.8 [9.6] 17.0 [5.0] 2.1	32.1 [9.4] 27.4 [8.0] 2.2	31.0 [9.1] 24.0 [7.0] 2.1	29.8 [8.7] 20.7 [6.1] 2.1	30.5 [8.9] 30.5 [8.9] 2.2	29.4 [8.6] 27.2 [8.0] 2.1	28.4 [8.3] 23.8 [7.0] 2.1
	95 [35]	Total BTUH [kW] Sens BTUH [kW] Power	34.1 [10.0] 22.6 [6.6] 2.3	32.9 [9.6] 19.5 [5.7] 2.3	31.7 [9.3] 16.6 [4.9] 2.2	31.0 [9.1] 26.9 [7.9] 2.3	29.9 [8.8] 23.5 [6.9] 2.3	28.8 [8.4] 20.3 [6.0] 2.2	29.4 [8.6] 29.4 [8.6] 2.3	28.3 [8.3] 26.7 [7.8] 2.3	27.3 [8.0] 23.3 [6.8] 2.2
	100 [37.8]	Total BTUH [kW] Sens BTUH [kW] Power	32.9 [9.6] 22.0 [6.5] 2.4	31.8 [9.3] 19.0 [5.6] 2.4	30.6 [9.0] 16.1 [4.7] 2.4	29.8 [8.7] 26.2 [7.7] 2.4	28.8 [8.4] 23.0 [6.8] 2.4	27.7 [8.1] 19.9 [5.8] 2.3	28.2 [8.3] 28.2 [8.3] 2.4	27.2 [8.0] 26.2 [7.7] 2.4	26.2 [7.7] 22.8 [6.7] 2.3
	105 [40.6]	Total BTUH [kW] Sens BTUH [kW] Power	31.8 [9.3] 21.3 [6.3] 2.6	30.7 [9.0] 18.4 [5.4] 2.5	29.6 [8.7] 15.7 [4.6] 2.5	28.7 [8.4] 25.6 [7.5] 2.6	27.7 [8.1] 22.4 [6.6] 2.5	26.7 [7.8] 19.4 [5.7] 2.5	27.1 [7.9] 27.1 [8.0] 2.6	26.1 [7.6] 25.7 [7.5] 2.5	25.2 [7.4] 22.5 [6.6] 2.5
	110 [43.3]	Total BTUH [kW] Sens BTUH [kW] Power	30.7 [9.0] 20.7 [6.1] 2.7	29.6 [8.7] 17.8 [5.2] 2.7	28.5 [8.4] 15.1 [4.4] 2.6	27.6 [8.1] 24.9 [7.3] 2.7	26.6 [7.8] 21.8 [6.4] 2.7	25.6 [7.5] 18.9 [5.5] 2.6	25.9 [7.6] 25.9 [7.6] 2.7	25.0 [7.3] 25.0 [7.3] 2.6	24.1 [7.1] 21.9 [6.4] 2.6
	115 [46.1]	Total BTUH [kW] Sens BTUH [kW] Power	29.6 [8.7] 20.0 [5.9] 2.8	28.5 [8.4] 17.2 [5.1] 2.8	27.5 [8.1] 14.7 [4.3] 2.7	26.4 [7.7] 24.2 [7.1] 2.8	25.5 [7.5] 21.2 [6.2] 2.8	24.6 [7.2] 18.4 [5.4] 2.7	24.8 [7.3] 24.8 [7.3] 2.8	23.9 [7.0] 23.9 [7.0] 2.8	23.1 [6.8] 21.4 [6.3] 2.7

DR —Depression ratio
dbE —Entering air dry bulb
wbE —Entering air wet bulb

Total —Total capacity x 1000 BTUH
Sens —Sensible capacity x 1000 BTUH
Power —KW input

NOTES: ① When the entering air dry bulb is other than 80°F [27°C], adjust the sensible capacity from the table by adding [1.10 x CFM x (1 - DR) x (dbE - 80)].

[] Designates Metric Conversions





GROSS SYSTEMS COOLING PERFORMANCE DATA—RQNM-A036

		ENTERING INDOOR AIR @ 80°F [26.7°C] dbE ①									
wbE		71°F [21.7°C]			67°F [19.4°C]			63°F [17.2°C]			
CFM [L/s]		1440 [680]	1200 [566]	960 [453]	1440 [680]	1200 [566]	960 [453]	1440 [680]	1200 [566]	960 [453]	
DR ①		.04	.07	.10	.04	.07	.10	.04	.07	.10	
OUTDOOR DRY BULB TEMPERATURE °F °C	75 [23.9]	Total BTUH [kW] Sens BTUH [kW] Power	45.5 [13.3] 28.6 [8.4] 2.4	43.9 [12.9] 24.6 [7.2] 2.3	42.3 [12.4] 20.9 [6.1] 2.3	43.1 [12.6] 34.8 [10.2] 2.3	41.5 [12.2] 30.2 [8.9] 2.3	40.0 [11.7] 26.0 [7.6] 2.3	40.2 [11.8] 37.9 [11.1] 2.3	38.8 [11.4] 33.3 [9.8] 2.3	37.4 [11.0] 28.9 [8.5] 2.2
	80 [26.7]	Total BTUH [kW] Sens BTUH [kW] Power	44.2 [13.0] 28.1 [8.2] 2.5	42.7 [12.5] 24.2 [7.1] 2.4	41.1 [12.0] 20.5 [6.0] 2.4	41.8 [12.3] 34.3 [10.1] 2.5	40.3 [11.8] 29.9 [8.8] 2.4	38.9 [11.4] 25.8 [7.6] 2.4	39.0 [11.4] 37.5 [11.0] 2.4	37.6 [11.0] 32.9 [9.7] 2.4	36.2 [10.6] 28.6 [8.4] 2.3
	85 [29.4]	Total BTUH [kW] Sens BTUH [kW] Power	42.9 [12.6] 27.6 [8.1] 2.6	41.4 [12.1] 23.7 [7.0] 2.6	39.9 [11.7] 20.1 [5.9] 2.5	40.5 [11.9] 33.8 [9.9] 2.6	39.1 [11.5] 29.5 [8.7] 2.5	37.7 [11.0] 25.5 [7.5] 2.5	37.7 [11.0] 37.0 [10.9] 2.6	36.4 [10.7] 32.5 [9.5] 2.5	35.0 [10.3] 28.2 [8.3] 2.5
	90 [32.2]	Total BTUH [kW] Sens BTUH [kW] Power	41.6 [12.2] 27.0 [7.9] 2.7	40.2 [11.8] 23.3 [6.8] 2.7	38.7 [11.3] 19.8 [5.8] 2.6	39.2 [11.5] 33.1 [9.7] 2.7	37.8 [11.1] 28.9 [8.5] 2.7	36.5 [10.7] 25.0 [7.3] 2.6	36.4 [10.7] 36.3 [10.6] 2.7	35.1 [10.3] 31.9 [9.4] 2.6	33.8 [9.9] 27.7 [8.1] 2.6
	95 [35]	Total BTUH [kW] Sens BTUH [kW] Power	40.3 [11.8] 26.2 [7.7] 2.9	38.9 [11.4] 22.6 [6.6] 2.8	37.5 [11.0] 19.2 [5.6] 2.8	37.9 [11.1] 32.5 [9.5] 2.8	36.6 [10.7] 28.4 [8.3] 2.8	35.2 [10.3] 24.5 [7.2] 2.8	35.0 [10.3] 35.0 [10.3] 2.8	33.8 [9.9] 31.3 [9.2] 2.8	32.6 [9.6] 27.3 [8.0] 2.7
	100 [37.8]	Total BTUH [kW] Sens BTUH [kW] Power	39.0 [11.4] 25.6 [7.5] 3.0	37.6 [11.0] 22.0 [6.5] 3.0	36.2 [10.6] 18.7 [5.5] 2.9	36.5 [10.7] 31.6 [9.3] 3.0	35.3 [10.3] 27.7 [8.1] 2.9	34.0 [10.0] 23.9 [7.0] 2.9	33.7 [9.9] 33.7 [9.9] 3.0	32.5 [9.5] 30.7 [9.0] 2.9	31.3 [9.2] 26.7 [7.8] 2.9
	105 [40.6]	Total BTUH [kW] Sens BTUH [kW] Power	37.6 [11.0] 24.7 [7.2] 3.2	36.3 [10.6] 21.3 [6.3] 3.1	34.9 [10.2] 18.0 [5.3] 3.1	35.2 [10.3] 30.8 [9.0] 3.1	33.9 [9.9] 26.9 [7.9] 3.1	32.7 [9.6] 23.3 [6.8] 3.0	32.3 [9.5] 32.3 [9.5] 3.1	31.2 [9.1] 30.0 [8.8] 3.1	30.0 [8.8] 26.1 [7.7] 3.0
	110 [43.3]	Total BTUH [kW] Sens BTUH [kW] Power	36.2 [10.6] 23.7 [7.0] 3.3	34.9 [10.2] 20.4 [6.0] 3.3	33.6 [9.8] 17.3 [5.1] 3.2	33.8 [9.9] 30.0 [8.8] 3.3	32.6 [9.6] 26.2 [7.7] 3.3	31.4 [9.2] 22.7 [6.7] 3.2	30.9 [9.1] 30.9 [9.1] 3.3	29.8 [8.7] 29.1 [8.5] 3.2	28.7 [8.4] 25.4 [7.5] 3.2
	115 [46.1]	Total BTUH [kW] Sens BTUH [kW] Power	34.7 [10.2] 22.6 [6.6] 3.5	33.5 [9.8] 19.5 [5.7] 3.4	32.3 [9.5] 16.6 [4.9] 3.4	32.3 [9.5] 28.9 [8.5] 3.5	31.2 [9.1] 25.3 [7.4] 3.4	30.1 [8.8] 21.9 [6.4] 3.4	29.5 [8.6] 29.5 [8.7] 3.5	28.4 [8.3] 28.2 [8.3] 3.4	27.4 [8.0] 24.7 [7.2] 3.3

GROSS SYSTEMS COOLING PERFORMANCE DATA—RQNM-A042

		ENTERING INDOOR AIR @ 80°F [26.7°C] dbE ①									
wbE		71°F [21.7°C]			67°F [19.4°C]			63°F [17.2°C]			
CFM [L/s]		1740 [821]	1450 [684]	1160 [547]	1740 [821]	1450 [684]	1160 [547]	1740 [821]	1450 [684]	1160 [547]	
DR ①		.15	.19	.24	.15	.19	.24	.15	.19	.24	
OUTDOOR DRY BULB TEMPERATURE °F °C	75 [23.9]	Total BTUH [kW] Sens BTUH [kW] Power	52.1 [15.3] 30.8 [9.0] 2.7	50.3 [14.7] 26.4 [7.7] 2.7	48.5 [14.2] 22.3 [6.5] 2.6	50.4 [14.8] 38.3 [11.2] 2.7	48.6 [14.2] 33.2 [9.7] 2.7	46.8 [13.7] 28.5 [8.4] 2.6	46.8 [13.7] 41.5 [12.2] 2.7	45.1 [13.2] 36.3 [10.6] 2.7	43.5 [12.7] 31.5 [9.2] 2.6
	80 [26.7]	Total BTUH [kW] Sens BTUH [kW] Power	51.0 [14.9] 30.6 [9.0] 2.9	49.2 [14.4] 26.2 [7.7] 2.8	47.4 [13.9] 22.1 [6.5] 2.8	49.2 [14.4] 37.9 [11.1] 2.9	47.5 [13.9] 33.0 [9.7] 2.8	45.8 [13.4] 28.4 [8.3] 2.8	45.6 [13.4] 41.2 [12.1] 2.9	44.0 [12.9] 36.1 [10.6] 2.8	42.4 [12.4] 31.3 [9.2] 2.8
	85 [29.4]	Total BTUH [kW] Sens BTUH [kW] Power	49.8 [14.6] 30.3 [8.9] 3.0	48.0 [14.1] 25.9 [7.6] 3.0	46.3 [13.6] 21.9 [6.4] 2.9	48.0 [14.1] 37.6 [11.0] 3.0	46.3 [13.6] 32.7 [9.6] 3.0	44.6 [13.1] 28.1 [8.2] 2.9	44.4 [13.0] 40.9 [12.0] 3.0	42.8 [12.5] 35.8 [10.5] 3.0	41.3 [12.1] 31.1 [9.1] 2.9
	90 [32.2]	Total BTUH [kW] Sens BTUH [kW] Power	48.4 [14.2] 29.6 [8.7] 3.2	46.7 [13.7] 25.4 [7.5] 3.2	45.0 [13.2] 21.5 [6.3] 3.1	46.7 [13.7] 37.1 [10.9] 3.2	45.0 [13.2] 32.2 [9.4] 3.2	43.4 [12.7] 27.7 [8.1] 3.1	43.1 [12.6] 40.3 [11.8] 3.2	41.5 [12.2] 35.3 [10.4] 3.2	40.0 [11.7] 30.6 [9.0] 3.1
	95 [35]	Total BTUH [kW] Sens BTUH [kW] Power	47.0 [13.8] 29.0 [8.5] 3.4	45.3 [13.3] 24.8 [7.3] 3.3	43.7 [12.8] 21.0 [6.2] 3.3	45.2 [13.2] 36.3 [10.6] 3.4	43.6 [12.8] 31.6 [9.3] 3.3	42.1 [12.3] 27.3 [8.0] 3.3	41.6 [12.2] 39.6 [11.6] 3.4	40.1 [11.8] 34.7 [10.2] 3.3	38.7 [11.3] 30.2 [8.9] 3.3
	100 [37.8]	Total BTUH [kW] Sens BTUH [kW] Power	45.4 [13.3] 28.1 [8.2] 3.6	43.8 [12.8] 24.1 [7.1] 3.5	42.2 [12.4] 20.4 [6.0] 3.5	43.7 [12.8] 35.5 [10.4] 3.6	42.1 [12.3] 30.9 [9.1] 3.5	40.6 [11.9] 26.7 [7.8] 3.5	40.1 [11.8] 38.8 [11.4] 3.6	38.7 [11.3] 34.1 [10.0] 3.5	37.3 [10.9] 29.6 [8.7] 3.5
	105 [40.6]	Total BTUH [kW] Sens BTUH [kW] Power	43.8 [12.8] 27.1 [8.0] 3.8	42.2 [12.4] 23.2 [6.8] 3.7	40.7 [11.9] 19.7 [5.8] 3.7	42.0 [12.3] 34.4 [10.1] 3.8	40.6 [11.9] 30.1 [8.8] 3.7	39.1 [11.5] 25.9 [7.6] 3.7	38.4 [11.3] 37.7 [11.1] 3.8	37.1 [10.9] 33.2 [9.7] 3.7	35.7 [10.5] 28.8 [8.5] 3.7
	110 [43.3]	Total BTUH [kW] Sens BTUH [kW] Power	42.0 [12.3] 25.9 [7.6] 4.0	40.6 [11.9] 22.3 [6.5] 3.9	39.1 [11.5] 18.9 [5.5] 3.9	40.3 [11.8] 33.3 [9.8] 4.0	38.9 [11.4] 29.1 [8.5] 3.9	37.5 [11.0] 25.1 [7.4] 3.9	36.7 [10.8] 36.6 [10.7] 4.0	35.4 [10.4] 32.2 [9.4] 3.9	34.1 [10.0] 28.0 [8.2] 3.9
	115 [46.1]	Total BTUH [kW] Sens BTUH [kW] Power	40.2 [11.8] 24.7 [7.2] 4.2	38.8 [11.4] 21.2 [6.2] 4.2	37.4 [11.0] 18.0 [5.3] 4.1	38.4 [11.3] 32.0 [9.4] 4.2	37.1 [10.9] 28.0 [8.2] 4.2	35.7 [10.5] 24.1 [7.1] 4.1	34.8 [10.2] 34.8 [10.2] 4.2	33.6 [9.8] 31.1 [9.1] 4.2	32.4 [9.5] 27.1 [8.0] 4.1

DR —Depression ratio
dbE —Entering air dry bulb
wbE —Entering air wet bulb

Total —Total capacity x 1000 BTUH
Sens —Sensible capacity x 1000 BTUH
Power —KW input

NOTES: ① When the entering air dry bulb is other than 80°F [27°C], adjust the sensible capacity from the table by adding $[1.10 \times \text{CFM} \times (1 - \text{DR}) \times (\text{dbE} - 80)]$.

[] Designates Metric Conversions





GROSS SYSTEMS COOLING PERFORMANCE DATA—RQNM-A048

		ENTERING INDOOR AIR @ 80°F [26.7°C] dbE ①									
wbE		71°F [21.7°C]			67°F [19.4°C]			63°F [17.2°C]			
CFM [L/s]		1860 [878]	1550 [732]	1240 [585]	1860 [878]	1550 [732]	1240 [585]	1860 [878]	1550 [732]	1240 [585]	
DR ①		.02	.05	.09	.02	.05	.09	.02	.05	.09	
OUTDOOR DRY BULB TEMPERATURE °F [°C]	75 [23.9]	Total BTUH [kW] Sens BTUH [kW] Power	59.5 [17.4] 37.2 [10.9] 3.0	57.4 [16.8] 31.9 [9.4] 3.0	55.3 [16.2] 27.0 [7.9] 2.9	57.1 [16.7] 45.5 [13.3] 3.0	55.1 [16.1] 39.6 [11.6] 3.0	53.1 [15.6] 34.1 [10.0] 2.9	52.4 [15.4] 48.4 [14.2] 3.0	50.6 [14.8] 42.5 [12.5] 3.0	48.8 [14.3] 36.9 [10.8] 2.9
	80 [26.7]	Total BTUH [kW] Sens BTUH [kW] Power	58.3 [17.1] 37.1 [10.9] 3.2	56.2 [16.5] 31.8 [9.3] 3.2	54.2 [15.9] 27.0 [7.9] 3.1	55.8 [16.4] 45.2 [13.3] 3.2	53.9 [15.8] 39.4 [11.6] 3.2	51.9 [15.2] 33.9 [9.9] 3.1	51.2 [15.0] 48.2 [14.1] 3.2	49.4 [14.5] 42.3 [12.4] 3.1	47.6 [14.0] 36.7 [10.8] 3.1
	85 [29.4]	Total BTUH [kW] Sens BTUH [kW] Power	56.9 [16.7] 36.6 [10.7] 3.4	54.9 [16.1] 31.5 [9.2] 3.3	52.9 [15.5] 26.7 [7.8] 3.3	54.5 [16.0] 44.8 [13.1] 3.4	52.5 [15.4] 39.0 [11.4] 3.3	50.6 [14.8] 33.6 [9.9] 3.3	49.8 [14.6] 47.8 [14.0] 3.4	48.0 [14.1] 41.9 [12.3] 3.3	46.3 [13.6] 36.4 [10.7] 3.3
	90 [32.2]	Total BTUH [kW] Sens BTUH [kW] Power	55.4 [16.2] 36.1 [10.6] 3.6	53.4 [15.6] 31.0 [9.1] 3.5	51.5 [15.1] 26.4 [7.7] 3.5	52.9 [15.5] 44.2 [13.0] 3.6	51.1 [15.0] 38.6 [11.3] 3.5	49.2 [14.4] 33.3 [9.8] 3.5	48.3 [14.2] 47.2 [13.8] 3.6	46.6 [13.7] 41.5 [12.2] 3.5	44.9 [13.2] 36.1 [10.6] 3.5
	95 [35]	Total BTUH [kW] Sens BTUH [kW] Power	53.7 [15.7] 35.2 [10.3] 3.8	51.8 [15.2] 30.3 [8.9] 3.8	49.9 [14.6] 25.7 [7.5] 3.7	51.3 [15.0] 43.4 [12.7] 3.8	49.5 [14.5] 37.9 [11.1] 3.7	47.7 [14.0] 32.7 [9.6] 3.7	46.6 [13.7] 46.4 [13.6] 3.8	45.0 [13.2] 40.8 [12.0] 3.7	43.3 [12.7] 35.5 [10.4] 3.7
	100 [37.8]	Total BTUH [kW] Sens BTUH [kW] Power	51.9 [15.2] 34.1 [10.0] 4.0	50.1 [14.7] 29.4 [8.6] 4.0	48.3 [14.2] 25.0 [7.3] 3.9	49.5 [14.5] 42.4 [12.4] 4.0	47.8 [14.0] 37.1 [10.9] 4.0	46.0 [13.5] 32.0 [9.4] 3.9	44.8 [13.1] 44.8 [13.1] 4.0	43.3 [12.7] 40.0 [11.7] 3.9	41.7 [12.2] 34.8 [10.2] 3.9
	105 [40.6]	Total BTUH [kW] Sens BTUH [kW] Power	50.0 [14.7] 32.9 [9.7] 4.3	48.2 [14.1] 28.3 [8.3] 4.2	46.5 [13.6] 24.1 [7.1] 4.1	47.6 [14.0] 41.2 [12.1] 4.3	45.9 [13.5] 36.0 [10.6] 4.2	44.2 [13.0] 31.1 [9.1] 4.1	42.9 [12.6] 42.9 [12.6] 4.3	41.4 [12.1] 38.9 [11.4] 4.2	39.9 [11.7] 33.9 [9.9] 4.1
	110 [43.3]	Total BTUH [kW] Sens BTUH [kW] Power	48.0 [14.1] 31.6 [9.3] 4.5	46.3 [13.6] 27.2 [8.0] 4.4	44.6 [13.1] 23.1 [6.8] 4.4	45.5 [13.3] 39.7 [11.6] 4.5	43.9 [12.9] 34.7 [10.2] 4.4	42.3 [12.4] 30.0 [8.8] 4.3	40.9 [12.0] 40.9 [12.0] 4.5	39.4 [11.5] 37.6 [11.0] 4.4	38.0 [11.1] 32.8 [9.6] 4.3
	115 [46.1]	Total BTUH [kW] Sens BTUH [kW] Power	45.8 [13.4] 30.0 [8.8] 4.8	44.2 [13.0] 25.8 [7.6] 4.7	42.6 [12.5] 21.9 [6.4] 4.6	43.4 [12.7] 38.3 [11.2] 4.8	41.8 [12.3] 33.4 [9.8] 4.7	40.3 [11.8] 28.9 [8.5] 4.6	38.7 [11.3] 38.7 [11.4] 4.7	37.3 [10.9] 36.3 [10.6] 4.7	36.0 [10.6] 31.7 [9.3] 4.6

GROSS SYSTEMS COOLING PERFORMANCE DATA—RQNM-A060

		ENTERING INDOOR AIR @ 80°F [26.7°C] dbE ①									
wbE		71°F [21.7°C]			67°F [19.4°C]			63°F [17.2°C]			
CFM [L/s]		2280 [1076]	1900 [897]	1520 [717]	2280 [1076]	1900 [897]	1520 [717]	2280 [1076]	1900 [897]	1520 [717]	
DR ①		0	.03	.07	0	.03	.07	0	.03	.07	
OUTDOOR DRY BULB TEMPERATURE °F [°C]	75 [23.9]	Total BTUH [kW] Sens BTUH [kW] Power	76.5 [22.4] 48.1 [14.1] 3.7	73.9 [21.7] 41.4 [12.1] 3.6	71.2 [20.9] 35.1 [10.3] 3.6	72.1 [21.1] 58.1 [17.0] 3.7	69.6 [20.4] 50.6 [14.8] 3.6	67.1 [19.7] 43.6 [12.8] 3.5	68.0 [19.9] 64.4 [18.9] 3.6	65.6 [19.2] 56.5 [16.6] 3.6	63.3 [18.6] 49.1 [14.4] 3.5
	80 [26.7]	Total BTUH [kW] Sens BTUH [kW] Power	74.7 [21.9] 47.3 [13.9] 3.9	72.1 [21.1] 40.7 [11.9] 3.8	69.4 [20.3] 34.5 [10.1] 3.8	70.3 [20.6] 57.4 [16.8] 3.9	67.8 [19.9] 50.0 [14.7] 3.8	65.3 [19.1] 43.1 [12.6] 3.7	66.2 [19.4] 63.6 [18.6] 3.8	63.9 [18.7] 55.9 [16.4] 3.8	61.5 [18.0] 48.5 [14.2] 3.7
	85 [29.4]	Total BTUH [kW] Sens BTUH [kW] Power	72.8 [21.3] 46.5 [13.6] 4.1	70.2 [20.6] 39.9 [11.7] 4.1	67.6 [19.8] 33.8 [9.9] 4.0	68.3 [20.0] 56.4 [16.5] 4.1	65.9 [19.3] 49.2 [14.4] 4.0	63.5 [18.6] 42.4 [12.4] 3.9	64.2 [18.8] 62.8 [18.4] 4.1	62.0 [18.2] 55.2 [16.2] 4.0	59.7 [17.5] 48.0 [14.1] 3.9
	90 [32.2]	Total BTUH [kW] Sens BTUH [kW] Power	70.7 [20.7] 45.4 [13.3] 4.4	68.2 [20.0] 39.0 [11.4] 4.3	65.8 [19.3] 33.2 [9.7] 4.2	66.3 [19.4] 55.4 [16.2] 4.3	64.0 [18.8] 48.4 [14.2] 4.3	61.6 [18.1] 41.7 [12.2] 4.2	62.2 [18.2] 61.8 [18.1] 4.3	60.0 [17.6] 54.3 [15.9] 4.2	57.9 [17.0] 47.3 [13.9] 4.1
	95 [35]	Total BTUH [kW] Sens BTUH [kW] Power	68.6 [20.1] 44.3 [13.0] 4.6	66.2 [19.4] 38.1 [11.2] 4.5	63.8 [18.7] 32.4 [9.5] 4.5	64.2 [18.8] 54.3 [15.9] 4.6	61.9 [18.1] 47.4 [13.9] 4.5	59.7 [17.5] 41.0 [12.0] 4.4	60.1 [17.6] 60.1 [17.6] 4.5	58.0 [17.0] 53.4 [15.7] 4.5	55.9 [16.4] 46.5 [13.6] 4.4
	100 [37.8]	Total BTUH [kW] Sens BTUH [kW] Power	66.4 [19.5] 43.1 [12.6] 4.9	64.1 [18.8] 37.1 [10.9] 4.8	61.7 [18.1] 31.5 [9.2] 4.7	62.0 [18.2] 53.1 [15.6] 4.8	59.8 [17.5] 46.4 [13.6] 4.8	57.6 [16.9] 40.1 [11.8] 4.7	57.9 [17.0] 57.9 [17.0] 4.8	55.9 [16.4] 52.4 [15.4] 4.7	53.8 [15.8] 45.6 [13.4] 4.6
	105 [40.6]	Total BTUH [kW] Sens BTUH [kW] Power	64.1 [18.8] 41.8 [12.3] 5.2	61.9 [18.1] 36.0 [10.6] 5.1	59.6 [17.5] 30.6 [9.0] 5.0	59.7 [17.5] 51.8 [15.2] 5.1	57.6 [16.9] 45.3 [13.3] 5.0	55.5 [16.3] 39.2 [11.5] 4.9	55.6 [16.3] 55.6 [16.3] 5.1	53.6 [15.7] 51.1 [15.0] 5.0	51.7 [15.2] 44.6 [13.1] 4.9
	110 [43.3]	Total BTUH [kW] Sens BTUH [kW] Power	61.7 [18.1] 40.3 [11.8] 5.5	59.6 [17.5] 34.8 [10.2] 5.4	57.4 [16.8] 29.6 [8.7] 5.3	57.3 [16.8] 50.3 [14.8] 5.4	55.3 [16.2] 44.0 [12.9] 5.3	53.3 [15.6] 38.1 [11.2] 5.2	53.2 [15.6] 53.2 [15.6] 5.4	51.3 [15.0] 49.9 [14.6] 5.3	49.5 [14.5] 43.6 [12.8] 5.2
	115 [46.1]	Total BTUH [kW] Sens BTUH [kW] Power	59.3 [17.4] 38.8 [11.4] 5.8	57.2 [16.8] 33.4 [9.8] 5.7	55.1 [16.1] 28.4 [8.3] 5.6	54.8 [16.1] 48.8 [14.3] 5.7	52.9 [15.5] 42.7 [12.5] 5.6	51.0 [14.9] 37.0 [10.9] 5.5	50.7 [14.9] 50.7 [14.9] 5.7	49.0 [14.4] 48.7 [14.3] 5.6	47.2 [13.8] 42.5 [12.5] 5.5

DR —Depression ratio
dbE —Entering air dry bulb
wbE—Entering air wet bulb

Total —Total capacity x 1000 BTUH
Sens —Sensible capacity x 1000 BTUH
Power —KW input

NOTES: ① When the entering air dry bulb is other than 80°F [27°C], adjust the sensible capacity from the table by adding [1.10 x CFM x (1 – DR) x (dbE – 80)].

[] Designates Metric Conversions



GROSS SYSTEMS COOLING PERFORMANCE DATA—RQPM-A024

		ENTERING INDOOR AIR @ 80°F [26.7°C] dbE ①									
		wbE	71°F [21.7°C]			67°F [19.4°C]			63°F [17.2°C]		
		CFM [L/s]	960 [453]	800 [378]	640 [302]	960 [453]	800 [378]	640 [302]	960 [453]	800 [378]	640 [302]
		DR ①	.04	.07	.10	.04	.07	.10	.04	.07	.10
OUTDOOR DRY BULB TEMPERATURE °F [°C]	75 [23.9]	Total BTUH [kW] Sens BTUH [kW] Power	30.4 [8.9] 18.5 [5.4] 1.5	29.3 [8.6] 15.8 [4.6] 1.5	28.3 [8.3] 13.4 [3.9] 1.5	28.5 [8.4] 22.9 [6.7] 1.5	27.5 [8.1] 19.9 [5.8] 1.5	26.5 [7.8] 17.1 [5.0] 1.5	27.0 [7.9] 25.6 [7.5] 1.5	26.0 [7.6] 22.4 [6.6] 1.5	25.1 [7.4] 19.5 [5.7] 1.5
	80 [26.7]	Total BTUH [kW] Sens BTUH [kW] Power	29.5 [8.6] 18.3 [5.4] 1.6	28.5 [8.4] 15.7 [4.6] 1.6	27.4 [8.0] 13.2 [3.9] 1.5	27.6 [8.1] 22.6 [6.6] 1.6	26.6 [7.8] 19.7 [5.8] 1.6	25.7 [7.5] 17.0 [5.0] 1.5	26.1 [7.6] 25.4 [7.5] 1.6	25.2 [7.4] 22.3 [6.5] 1.6	24.3 [7.1] 19.4 [5.7] 1.5
	85 [29.4]	Total BTUH [kW] Sens BTUH [kW] Power	28.6 [8.4] 18.0 [5.3] 1.7	27.6 [8.1] 15.5 [4.6] 1.7	26.6 [7.8] 13.1 [3.8] 1.6	26.7 [7.8] 22.3 [6.5] 1.7	25.8 [7.6] 19.5 [5.7] 1.7	24.9 [7.3] 16.9 [5.0] 1.6	25.2 [7.4] 25.1 [7.4] 1.7	24.3 [7.1] 22.1 [6.5] 1.7	23.4 [6.9] 19.2 [5.6] 1.6
	90 [32.2]	Total BTUH [kW] Sens BTUH [kW] Power	27.7 [8.1] 17.6 [5.2] 1.8	26.7 [7.8] 15.1 [4.4] 1.7	25.8 [7.6] 12.9 [3.8] 1.7	25.8 [7.6] 22.0 [6.5] 1.8	24.9 [7.3] 19.2 [5.6] 1.8	24.0 [7.0] 16.6 [4.9] 1.7	24.3 [7.1] 24.3 [7.1] 1.8	23.4 [6.9] 21.7 [6.4] 1.8	22.6 [6.6] 18.9 [5.5] 1.7
	95 [35]	Total BTUH [kW] Sens BTUH [kW] Power	26.8 [7.9] 17.2 [5.1] 1.9	25.8 [7.6] 14.7 [4.3] 1.8	24.9 [7.3] 12.5 [3.7] 1.8	24.9 [7.3] 21.5 [6.3] 1.9	24.0 [7.0] 18.8 [5.5] 1.8	23.1 [6.8] 16.2 [4.8] 1.8	23.4 [6.9] 23.4 [6.9] 1.9	22.5 [6.6] 21.4 [6.3] 1.9	21.7 [6.4] 18.7 [5.5] 1.8
	100 [37.8]	Total BTUH [kW] Sens BTUH [kW] Power	25.8 [7.6] 16.6 [4.9] 2.0	24.9 [7.3] 14.3 [4.2] 1.9	24.0 [7.0] 12.1 [3.6] 1.9	23.9 [7.0] 20.9 [6.1] 2.0	23.1 [6.8] 18.3 [5.4] 2.0	22.2 [6.5] 15.8 [4.6] 1.9	22.4 [6.6] 22.4 [6.6] 2.0	21.6 [6.3] 20.9 [6.1] 2.0	20.8 [6.1] 18.2 [5.3] 1.9
	105 [40.6]	Total BTUH [kW] Sens BTUH [kW] Power	24.8 [7.3] 16.0 [4.7] 2.1	24.0 [7.0] 13.8 [4.1] 2.1	23.1 [6.8] 11.7 [3.4] 2.0	22.9 [6.7] 20.2 [5.9] 2.1	22.1 [6.5] 17.7 [5.2] 2.1	21.3 [6.2] 15.3 [4.5] 2.0	21.4 [6.3] 21.4 [6.3] 2.1	20.7 [6.1] 20.4 [6.0] 2.1	19.9 [5.8] 17.8 [5.2] 2.0
	110 [43.3]	Total BTUH [kW] Sens BTUH [kW] Power	23.8 [7.0] 15.2 [4.5] 2.2	23.0 [6.7] 13.1 [3.8] 2.2	22.2 [6.5] 11.2 [3.3] 2.1	21.9 [6.4] 19.5 [5.7] 2.2	21.2 [6.2] 17.1 [5.0] 2.2	20.4 [6.0] 14.8 [4.3] 2.1	20.4 [6.0] 20.4 [6.0] 2.2	19.7 [5.8] 19.7 [5.8] 2.2	19.0 [5.6] 17.2 [5.1] 2.1
115 [46.1]	Total BTUH [kW] Sens BTUH [kW] Power	22.8 [6.7] 14.3 [4.2] 2.3	22.0 [6.4] 12.3 [3.6] 2.3	21.2 [6.2] 10.4 [3.1] 2.2	20.9 [6.1] 18.7 [5.5] 2.3	20.2 [5.9] 16.4 [4.8] 2.3	19.4 [5.7] 14.1 [4.1] 2.3	19.4 [5.7] 19.4 [5.7] 2.3	18.7 [5.5] 18.7 [5.5] 2.3	18.0 [5.3] 16.5 [4.8] 2.3	

GROSS SYSTEMS COOLING PERFORMANCE DATA—RQPM-A030

		ENTERING INDOOR AIR @ 80°F [26.7°C] dbE ①									
		wbE	71°F [21.7°C]			67°F [19.4°C]			63°F [17.2°C]		
		CFM [L/s]	1200 [566]	1000 [472]	800 [378]	1200 [566]	1000 [472]	800 [378]	1200 [566]	1000 [472]	800 [378]
		DR ①	.04	.06	.01	.04	.06	.01	.04	.06	.01
OUTDOOR DRY BULB TEMPERATURE °F [°C]	75 [23.9]	Total BTUH [kW] Sens BTUH [kW] Power	37.9 [11.1] 24.5 [7.2] 1.9	36.6 [10.7] 21.1 [6.2] 1.9	35.3 [10.3] 18.0 [5.3] 1.8	34.9 [10.2] 28.9 [8.5] 1.9	33.7 [9.9] 25.2 [7.4] 1.9	32.4 [9.5] 21.7 [6.4] 1.8	33.0 [9.7] 31.9 [9.4] 1.9	31.9 [9.3] 28.1 [8.2] 1.9	30.7 [9.0] 24.4 [7.2] 1.8
	80 [26.7]	Total BTUH [kW] Sens BTUH [kW] Power	36.9 [10.8] 24.1 [7.1] 2.0	35.6 [10.4] 20.7 [6.1] 2.0	34.3 [10.1] 17.6 [5.2] 1.9	33.9 [9.9] 28.4 [8.3] 2.0	32.7 [9.6] 24.8 [7.3] 2.0	31.5 [9.2] 21.4 [6.3] 1.9	32.0 [9.4] 31.6 [9.3] 2.0	30.9 [9.1] 27.8 [8.2] 2.0	29.8 [8.7] 24.2 [7.1] 1.9
	85 [29.4]	Total BTUH [kW] Sens BTUH [kW] Power	35.9 [10.5] 23.7 [7.0] 2.1	34.6 [10.1] 20.4 [6.0] 2.0	33.4 [9.8] 17.4 [5.1] 2.0	32.8 [9.6] 28.0 [8.2] 2.1	31.7 [9.3] 24.5 [7.2] 2.1	30.5 [8.9] 21.1 [6.2] 2.0	31.0 [9.1] 31.0 [9.1] 2.1	29.9 [8.8] 27.4 [8.0] 2.1	28.8 [8.4] 23.8 [7.0] 2.0
	90 [32.2]	Total BTUH [kW] Sens BTUH [kW] Power	34.8 [10.2] 23.2 [6.8] 2.2	33.5 [9.8] 19.9 [5.8] 2.2	32.3 [9.5] 17.0 [5.0] 2.1	31.7 [9.3] 27.4 [8.0] 2.2	30.6 [9.0] 24.0 [7.0] 2.2	29.5 [8.6] 20.8 [6.1] 2.1	29.8 [8.7] 29.8 [8.7] 2.2	28.8 [8.4] 26.9 [7.9] 2.2	27.7 [8.1] 23.4 [6.9] 2.1
	95 [35]	Total BTUH [kW] Sens BTUH [kW] Power	33.6 [9.8] 22.5 [6.6] 2.3	32.4 [9.5] 19.4 [5.7] 2.3	31.2 [9.1] 16.5 [4.8] 2.2	30.5 [8.9] 26.8 [7.9] 2.3	29.5 [8.6] 23.5 [6.9] 2.3	28.4 [8.3] 20.3 [6.0] 2.2	28.7 [8.4] 28.7 [8.4] 2.3	27.7 [8.1] 26.4 [7.7] 2.3	26.7 [7.8] 23.0 [6.8] 2.2
	100 [37.8]	Total BTUH [kW] Sens BTUH [kW] Power	32.4 [9.5] 21.9 [6.4] 2.4	31.3 [9.2] 18.9 [5.5] 2.4	30.1 [8.8] 16.0 [4.7] 2.3	29.3 [8.6] 26.1 [7.7] 2.4	28.3 [8.3] 22.9 [6.7] 2.4	27.3 [8.0] 19.9 [5.8] 2.3	27.5 [8.1] 27.5 [8.1] 2.4	26.5 [7.8] 25.9 [7.6] 2.4	25.5 [7.5] 22.6 [6.6] 2.3
	105 [40.6]	Total BTUH [kW] Sens BTUH [kW] Power	31.1 [9.1] 21.1 [6.2] 2.6	30.0 [8.8] 18.2 [5.3] 2.5	28.9 [8.5] 15.5 [4.6] 2.5	28.1 [8.2] 25.5 [7.5] 2.6	27.1 [7.9] 22.3 [6.5] 2.5	26.1 [7.6] 19.3 [5.7] 2.5	26.2 [7.7] 26.2 [7.7] 2.6	25.3 [7.4] 25.2 [7.4] 2.5	24.4 [7.2] 22.0 [6.5] 2.5
	110 [43.3]	Total BTUH [kW] Sens BTUH [kW] Power	29.8 [8.7] 20.3 [6.0] 2.7	28.8 [8.4] 17.6 [5.2] 2.6	27.7 [8.1] 15.0 [4.4] 2.6	26.8 [7.9] 24.7 [7.2] 2.7	25.8 [7.6] 21.6 [6.3] 2.6	24.9 [7.3] 18.8 [5.5] 2.6	24.9 [7.3] 24.9 [7.3] 2.7	24.0 [7.0] 24.0 [7.0] 2.6	23.2 [6.8] 21.5 [6.3] 2.6
115 [46.1]	Total BTUH [kW] Sens BTUH [kW] Power	28.5 [8.4] 19.6 [5.8] 2.8	27.5 [8.1] 16.9 [5.0] 2.8	26.5 [7.8] 14.4 [4.2] 2.7	25.4 [7.4] 23.8 [7.0] 2.8	24.5 [7.2] 20.9 [6.1] 2.8	23.6 [6.9] 18.1 [5.3] 2.7	23.6 [6.9] 23.6 [6.9] 2.8	22.7 [6.7] 22.7 [6.7] 2.8	21.9 [6.4] 20.9 [6.1] 2.7	

DR — Depression ratio
dbE — Entering air dry bulb
wbE — Entering air wet bulb

Total — Total capacity x 1000 BTUH
Sens — Sensible capacity x 1000 BTUH
Power — KW input

NOTES: ① When the entering air dry bulb is other than 80°F [27°C], adjust the sensible capacity from the table by adding $[1.10 \times \text{CFM} \times (1 - \text{DR}) \times (\text{dbE} - 80)]$.

[] Designates Metric Conversions

**GROSS SYSTEMS COOLING PERFORMANCE DATA—RQPM-A036**

		ENTERING INDOOR AIR @ 80°F [26.7°C] dbE ①									
		wbE	71°F [21.7°C]			67°F [19.4°C]			63°F [17.2°C]		
			CFM [L/s]	1440 [680]	1200 [566]	960 [453]	1440 [680]	1200 [566]	960 [453]	1440 [680]	1200 [566]
		DR ①	.04	.07	.10	.04	.07	.10	.04	.07	.10
OUTDOOR DRY BULB TEMPERATURE °F [°C]	75 [23.9]	Total BTUH [kW]	45.3 [13.3]	43.7 [12.8]	42.1 [12.3]	42.5 [12.5]	41.0 [12.0]	39.5 [11.6]	39.7 [11.6]	38.3 [11.2]	36.9 [10.8]
		Sens BTUH [kW]	28.5 [8.4]	24.5 [7.2]	20.8 [6.1]	34.4 [10.1]	30.0 [8.8]	25.8 [7.6]	37.7 [11.1]	33.1 [9.7]	28.7 [8.4]
		Power	2.4	2.4	2.3	2.4	2.3	2.3	2.4	2.3	2.3
	80 [26.7]	Total BTUH [kW]	44.1 [12.9]	42.5 [12.5]	41.0 [12.0]	41.3 [12.1]	39.9 [11.7]	38.4 [11.3]	38.4 [11.3]	37.1 [10.9]	35.7 [10.5]
		Sens BTUH [kW]	28.1 [8.2]	24.1 [7.1]	20.5 [6.0]	34.1 [10.0]	29.8 [8.7]	25.7 [7.5]	37.3 [10.9]	32.8 [9.6]	28.5 [8.4]
		Power	2.5	2.5	2.4	2.5	2.5	2.4	2.5	2.4	2.4
	85 [29.4]	Total BTUH [kW]	42.8 [12.5]	41.3 [12.1]	39.8 [11.7]	40.0 [11.7]	38.6 [11.3]	37.2 [10.9]	37.2 [10.9]	35.9 [10.5]	34.6 [10.1]
		Sens BTUH [kW]	27.6 [8.1]	23.7 [7.0]	20.1 [5.9]	33.6 [9.9]	29.3 [8.6]	25.3 [7.4]	36.8 [10.8]	32.4 [9.5]	28.2 [8.3]
		Power	2.6	2.6	2.6	2.6	2.6	2.5	2.6	2.6	2.5
90 [32.2]	Total BTUH [kW]	41.5 [12.2]	40.0 [11.7]	38.6 [11.3]	38.7 [11.3]	37.4 [11.0]	36.0 [10.6]	35.8 [10.5]	34.6 [10.1]	33.3 [9.8]	
	Sens BTUH [kW]	27.0 [7.9]	23.2 [6.8]	19.8 [5.8]	33.0 [9.7]	28.9 [8.5]	24.9 [7.3]	35.8 [10.5]	31.8 [9.3]	27.7 [8.1]	
	Power	2.8	2.7	2.7	2.8	2.7	2.7	2.8	2.7	2.7	
95 [35]	Total BTUH [kW]	40.1 [11.8]	38.7 [11.3]	37.3 [10.9]	37.3 [10.9]	36.0 [10.6]	34.7 [10.2]	34.5 [10.1]	33.3 [9.8]	32.1 [9.4]	
	Sens BTUH [kW]	26.2 [7.7]	22.6 [6.6]	19.2 [5.6]	32.3 [9.5]	28.2 [8.3]	24.4 [7.2]	34.5 [10.1]	31.3 [9.2]	27.3 [8.0]	
	Power	2.9	2.9	2.8	2.9	2.9	2.8	2.9	2.8	2.8	
100 [37.8]	Total BTUH [kW]	38.7 [11.3]	37.4 [11.0]	36.0 [10.6]	35.9 [10.5]	34.7 [10.2]	33.4 [9.8]	33.1 [9.7]	31.9 [9.3]	30.7 [9.0]	
	Sens BTUH [kW]	25.5 [7.5]	22.0 [6.5]	18.7 [5.5]	31.5 [9.2]	27.6 [8.1]	23.8 [7.0]	33.1 [9.7]	30.6 [9.0]	26.7 [7.8]	
	Power	3.1	3.0	3.0	3.1	3.0	3.0	3.1	3.0	2.9	
105 [40.6]	Total BTUH [kW]	37.2 [10.9]	35.9 [10.5]	34.6 [10.1]	34.5 [10.1]	33.2 [9.7]	32.0 [9.4]	31.6 [9.3]	30.5 [8.9]	29.4 [8.6]	
	Sens BTUH [kW]	24.6 [7.2]	21.2 [6.2]	18.0 [5.3]	30.6 [9.0]	26.7 [7.8]	23.1 [6.8]	31.6 [9.3]	29.8 [8.7]	26.0 [7.6]	
	Power	3.3	3.2	3.1	3.2	3.2	3.1	3.2	3.2	3.1	
110 [43.3]	Total BTUH [kW]	35.7 [10.5]	34.5 [10.1]	33.2 [9.7]	32.9 [9.6]	31.8 [9.3]	30.6 [9.0]	30.1 [8.8]	29.0 [8.5]	28.0 [8.2]	
	Sens BTUH [kW]	23.5 [6.9]	20.3 [6.0]	17.2 [5.1]	29.5 [8.7]	25.9 [7.6]	22.4 [6.6]	30.1 [8.8]	28.9 [8.5]	25.3 [7.4]	
	Power	3.4	3.4	3.3	3.4	3.3	3.3	3.4	3.3	3.3	
115 [46.1]	Total BTUH [kW]	34.2 [10.0]	33.0 [9.7]	31.8 [9.3]	31.4 [9.2]	30.3 [8.9]	29.2 [8.6]	28.5 [8.4]	27.5 [8.1]	26.5 [7.8]	
	Sens BTUH [kW]	22.5 [6.6]	19.4 [5.7]	16.5 [4.8]	28.5 [8.4]	25.0 [7.3]	21.7 [6.4]	28.5 [8.4]	27.5 [8.1]	24.4 [7.2]	
	Power	3.6	3.5	3.5	3.6	3.5	3.5	3.6	3.5	3.4	

GROSS SYSTEMS COOLING PERFORMANCE DATA—RQPM-A037

		ENTERING INDOOR AIR @ 80°F [26.7°C] dbE ①									
		wbE	71°F [21.7°C]			67°F [19.4°C]			63°F [17.2°C]		
			CFM [L/s]	1440 [680]	1250 [590]	960 [453]	1440 [680]	1250 [590]	960 [453]	1440 [680]	1250 [590]
		DR ①	.10	.12	.16	.10	.12	.16	.10	.12	.16
OUTDOOR DRY BULB TEMPERATURE °F [°C]	75 [23.9]	Total BTUH [kW]	45.0 [13.2]	43.8 [12.8]	42.0 [12.3]	42.9 [12.6]	41.7 [12.2]	40.0 [11.7]	41.0 [12.0]	39.9 [11.7]	38.2 [11.2]
		Sens BTUH [kW]	28.8 [8.5]	25.7 [7.5]	21.3 [6.3]	33.9 [9.9]	30.5 [8.9]	25.7 [7.5]	37.6 [11.0]	34.0 [10.0]	28.8 [8.5]
		Power	2.2	2.2	2.2	2.2	2.2	2.1	2.2	2.2	2.1
	80 [26.7]	Total BTUH [kW]	43.7 [12.8]	42.5 [12.5]	40.7 [11.9]	41.6 [12.2]	40.5 [11.9]	38.8 [11.4]	39.7 [11.6]	38.6 [11.3]	37.0 [10.8]
		Sens BTUH [kW]	28.2 [8.3]	25.1 [7.4]	20.8 [6.1]	33.2 [9.7]	29.9 [8.8]	25.1 [7.4]	36.9 [10.8]	33.4 [9.8]	28.4 [8.3]
		Power	2.4	2.3	2.3	2.3	2.3	2.3	2.3	2.3	2.2
	85 [29.4]	Total BTUH [kW]	42.3 [12.4]	41.2 [12.1]	39.4 [11.5]	40.2 [11.8]	39.1 [11.5]	37.4 [11.0]	38.3 [11.2]	37.2 [10.9]	35.7 [10.5]
		Sens BTUH [kW]	27.4 [8.0]	24.5 [7.2]	20.2 [5.9]	32.6 [9.6]	29.3 [8.6]	24.6 [7.2]	36.3 [10.6]	32.8 [9.6]	27.9 [8.2]
		Power	2.5	2.5	2.4	2.5	2.4	2.4	2.4	2.4	2.4
90 [32.2]	Total BTUH [kW]	40.8 [12.0]	39.7 [11.6]	38.0 [11.1]	38.7 [11.3]	37.6 [11.0]	36.0 [10.6]	36.8 [10.8]	35.8 [10.5]	34.3 [10.1]	
	Sens BTUH [kW]	26.7 [7.8]	23.8 [7.0]	19.7 [5.8]	31.8 [9.3]	28.6 [8.4]	24.1 [7.1]	35.6 [10.4]	32.2 [9.4]	27.4 [8.0]	
	Power	2.6	2.6	2.5	2.6	2.6	2.5	2.6	2.6	2.5	
95 [35]	Total BTUH [kW]	39.2 [11.5]	38.2 [11.2]	36.5 [10.7]	37.1 [10.9]	36.1 [10.6]	34.6 [10.1]	35.2 [10.3]	34.2 [10.0]	32.8 [9.6]	
	Sens BTUH [kW]	25.9 [7.6]	23.2 [6.8]	19.2 [5.6]	31.0 [9.1]	27.9 [8.2]	23.5 [6.9]	34.7 [10.2]	31.4 [9.2]	26.8 [7.9]	
	Power	2.8	2.8	2.7	2.8	2.7	2.7	2.7	2.7	2.7	
100 [37.8]	Total BTUH [kW]	37.5 [11.0]	36.5 [10.7]	35.0 [10.3]	35.4 [10.4]	34.4 [10.1]	33.0 [9.7]	33.5 [9.8]	32.6 [9.6]	31.2 [9.1]	
	Sens BTUH [kW]	25.1 [7.4]	22.4 [6.6]	18.6 [5.5]	30.2 [8.9]	27.2 [8.0]	23.0 [6.8]	33.5 [9.8]	30.7 [9.0]	26.1 [7.7]	
	Power	3.0	2.9	2.9	2.9	2.9	2.8	2.9	2.9	2.8	
105 [40.6]	Total BTUH [kW]	35.7 [10.5]	34.8 [10.2]	33.3 [9.8]	33.6 [9.8]	32.7 [9.6]	31.3 [9.2]	31.7 [9.3]	30.8 [9.0]	29.5 [8.6]	
	Sens BTUH [kW]	24.2 [7.1]	21.7 [6.4]	18.0 [5.3]	29.2 [8.6]	26.4 [7.7]	22.3 [6.5]	31.7 [9.3]	29.9 [8.8]	25.5 [7.5]	
	Power	3.1	3.1	3.0	3.1	3.1	3.0	3.1	3.0	3.0	
110 [43.3]	Total BTUH [kW]	33.9 [9.9]	33.0 [9.7]	31.6 [9.3]	31.8 [9.3]	30.9 [9.1]	29.6 [8.7]	29.8 [8.7]	29.0 [8.5]	27.8 [8.1]	
	Sens BTUH [kW]	23.3 [6.8]	20.9 [6.1]	17.4 [5.1]	28.5 [8.4]	25.7 [7.5]	21.8 [6.4]	29.8 [8.7]	29.0 [8.5]	24.9 [7.3]	
	Power	3.3	3.3	3.2	3.3	3.2	3.2	3.3	3.2	3.2	
115 [46.1]	Total BTUH [kW]	31.9 [9.3]	31.1 [9.1]	29.7 [8.7]	29.8 [8.7]	29.0 [8.5]	27.8 [8.1]	27.9 [8.2]	27.1 [7.9]	26.0 [7.6]	
	Sens BTUH [kW]	22.4 [6.6]	20.1 [5.9]	16.7 [4.9]	27.4 [8.0]	24.8 [7.3]	21.0 [6.2]	27.9 [8.2]	27.1 [8.0]	24.3 [7.1]	
	Power	3.5	3.5	3.4	3.5	3.4	3.4	3.5	3.4	3.3	

DR —Depression ratio
dbE—Entering air dry bulb
wbE—Entering air wet bulb

Total —Total capacity x 1000 BTUH
Sens —Sensible capacity x 1000 BTUH
Power—KW input

NOTES: ① When the entering air dry bulb is other than 80°F [27°C], adjust the sensible capacity from the table by adding $[1.10 \times \text{CFM} \times (1 - \text{DR}) \times (\text{dbE} - 80)]$.

[] Designates Metric Conversions





GROSS SYSTEMS COOLING PERFORMANCE DATA—RQPM-042

OUTDOOR DRY BULB TEMPERATURE °F [°C]		ENTERING INDOOR AIR @ 80°F [26.7°C] dbE ①									
		wbE	71°F [21.7°C]			67°F [19.4°C]			63°F [17.2°C]		
		CFM [L/s]	1740 [821]	1450 [684]	1160 [547]	1740 [821]	1450 [684]	1160 [547]	1740 [821]	1450 [684]	1160 [547]
DR ①		.11	.15	.19	.11	.15	.19	.11	.15	.19	
75 [23.9]	Total BTUH [kW]	52.6 [15.4]	50.7 [14.9]	48.9 [14.3]	50.5 [14.8]	48.7 [14.3]	47.0 [13.8]	47.1 [13.8]	45.5 [13.3]	43.8 [12.8]	
	Sens BTUH [kW]	31.8 [9.3]	27.2 [8.0]	23.0 [6.8]	39.3 [11.5]	34.1 [10.0]	29.4 [8.6]	42.9 [12.6]	37.6 [11.0]	32.5 [9.5]	
	Power	2.8	2.7	2.7	2.8	2.7	2.7	2.7	2.7	2.6	
	80 [26.7]	Total BTUH [kW]	51.4 [15.1]	49.6 [14.5]	47.8 [14.0]	49.4 [14.5]	47.6 [14.0]	45.9 [13.5]	46.0 [13.5]	44.4 [13.0]	42.8 [12.5]
		Sens BTUH [kW]	31.5 [9.2]	27.0 [7.9]	22.8 [6.7]	39.0 [11.4]	33.9 [9.9]	29.2 [8.6]	42.7 [12.5]	37.5 [11.0]	32.5 [9.5]
		Power	2.9	2.9	2.8	2.9	2.9	2.8	2.9	2.8	2.8
	85 [29.4]	Total BTUH [kW]	50.2 [14.7]	48.4 [14.2]	46.7 [13.7]	48.1 [14.1]	46.5 [13.6]	44.8 [13.1]	44.8 [13.1]	43.2 [12.7]	41.6 [12.2]
		Sens BTUH [kW]	31.1 [9.1]	26.6 [7.8]	22.6 [6.6]	38.6 [11.3]	33.7 [9.9]	29.0 [8.5]	42.3 [12.4]	37.1 [10.9]	32.2 [9.4]
		Power	3.1	3.0	3.0	3.1	3.0	3.0	3.1	3.0	3.0
90 [32.2]	Total BTUH [kW]	48.9 [14.3]	47.2 [13.8]	45.5 [13.3]	46.8 [13.7]	45.2 [13.2]	43.5 [12.7]	43.5 [12.7]	41.9 [12.3]	40.4 [11.8]	
	Sens BTUH [kW]	30.6 [9.0]	26.3 [7.7]	22.3 [6.5]	38.0 [11.1]	33.2 [9.7]	28.6 [8.4]	41.8 [12.3]	36.6 [10.7]	31.8 [9.3]	
	Power	3.3	3.2	3.2	3.3	3.2	3.1	3.2	3.2	3.1	
95 [35]	Total BTUH [kW]	47.5 [13.9]	45.8 [13.4]	44.1 [12.9]	45.4 [13.3]	43.8 [12.8]	42.2 [12.4]	42.1 [12.3]	40.6 [11.9]	39.1 [11.5]	
	Sens BTUH [kW]	29.8 [8.7]	25.6 [7.5]	21.7 [6.4]	37.4 [11.0]	32.6 [9.6]	28.1 [8.2]	41.1 [12.1]	36.1 [10.6]	31.4 [9.2]	
	Power	3.5	3.4	3.3	3.4	3.4	3.3	3.4	3.4	3.3	
100 [37.8]	Total BTUH [kW]	46.0 [13.5]	44.4 [13.0]	42.7 [12.5]	43.9 [12.9]	42.4 [12.4]	40.8 [12.0]	40.6 [11.9]	39.1 [11.5]	37.7 [11.0]	
	Sens BTUH [kW]	29.1 [8.5]	25.0 [7.3]	21.1 [6.2]	36.5 [10.7]	31.9 [9.4]	27.5 [8.1]	40.3 [11.8]	35.4 [10.4]	30.8 [9.0]	
	Power	3.7	3.6	3.5	3.6	3.6	3.5	3.6	3.6	3.5	
105 [40.6]	Total BTUH [kW]	44.4 [13.0]	42.8 [12.5]	41.3 [12.1]	42.3 [12.4]	40.8 [12.0]	39.3 [11.5]	38.9 [11.4]	37.6 [11.0]	36.2 [10.6]	
	Sens BTUH [kW]	28.1 [8.2]	24.1 [7.1]	20.5 [6.0]	35.5 [10.4]	31.0 [9.1]	26.7 [7.8]	38.9 [11.4]	34.6 [10.2]	30.1 [8.8]	
	Power	3.9	3.8	3.7	3.9	3.8	3.7	3.8	3.8	3.7	
110 [43.3]	Total BTUH [kW]	42.7 [12.5]	41.2 [12.1]	39.7 [11.6]	40.6 [11.9]	39.2 [11.5]	37.8 [11.1]	37.3 [10.9]	35.9 [10.5]	34.6 [10.1]	
	Sens BTUH [kW]	26.9 [7.9]	23.1 [6.8]	19.6 [5.8]	34.4 [10.1]	30.1 [8.8]	26.0 [7.6]	37.3 [10.9]	33.5 [9.8]	29.2 [8.6]	
	Power	4.1	4.0	4.0	4.1	4.0	3.9	4.1	4.0	3.9	
115 [46.1]	Total BTUH [kW]	40.9 [12.0]	39.4 [11.5]	38.0 [11.1]	38.8 [11.4]	37.5 [11.0]	36.1 [10.6]	35.5 [10.4]	34.2 [10.0]	33.0 [9.7]	
	Sens BTUH [kW]	25.7 [7.5]	22.0 [6.5]	18.7 [5.5]	33.1 [9.7]	29.0 [8.5]	25.0 [7.3]	35.5 [10.4]	32.4 [9.5]	28.3 [8.3]	
	Power	4.3	4.3	4.2	4.3	4.2	4.2	4.3	4.2	4.1	

GROSS SYSTEMS COOLING PERFORMANCE DATA—RQPM-A043

OUTDOOR DRY BULB TEMPERATURE °F [°C]		ENTERING INDOOR AIR @ 80°F [26.7°C] dbE ①									
		wbE	71°F [21.7°C]			67°F [19.4°C]			63°F [17.2°C]		
		CFM [L/s]	1740 [821]	1425 [672]	1160 [547]	1740 [821]	1425 [672]	1160 [547]	1740 [821]	1425 [672]	1160 [547]
DR ①		.05	.09	.12	.05	.09	.12	.05	.09	.12	
75 [23.9]	Total BTUH [kW]	54.5 [16.0]	52.4 [15.4]	50.6 [14.8]	51.3 [15.0]	49.3 [14.4]	47.7 [14.0]	48.5 [14.2]	46.6 [13.7]	45.1 [13.2]	
	Sens BTUH [kW]	35.9 [10.5]	30.4 [8.9]	26.1 [7.7]	41.9 [12.3]	36.0 [10.6]	31.4 [9.2]	46.4 [13.6]	40.2 [11.8]	35.3 [10.4]	
	Power	2.6	2.6	2.6	2.6	2.6	2.5	2.6	2.6	2.5	
	80 [26.7]	Total BTUH [kW]	52.9 [15.5]	50.8 [14.9]	49.1 [14.4]	49.7 [14.6]	47.8 [14.0]	46.2 [13.5]	46.9 [13.7]	45.1 [13.2]	43.6 [12.8]
		Sens BTUH [kW]	35.0 [10.3]	29.6 [8.7]	25.5 [7.5]	41.1 [12.1]	35.4 [10.4]	30.9 [9.1]	45.6 [13.4]	39.5 [11.6]	34.7 [10.2]
		Power	2.8	2.7	2.7	2.8	2.7	2.7	2.7	2.7	2.6
	85 [29.4]	Total BTUH [kW]	51.3 [15.0]	49.3 [14.4]	47.7 [14.0]	48.2 [14.1]	46.3 [13.6]	44.7 [13.1]	45.4 [13.3]	43.6 [12.8]	42.1 [12.3]
		Sens BTUH [kW]	34.2 [10.0]	29.0 [8.5]	25.0 [7.3]	40.4 [11.9]	34.7 [10.2]	30.2 [8.9]	44.8 [13.1]	38.8 [11.4]	34.1 [10.0]
		Power	2.9	2.9	2.8	2.9	2.9	2.8	2.9	2.8	2.8
90 [32.2]	Total BTUH [kW]	49.8 [14.6]	47.8 [14.0]	46.2 [13.5]	46.6 [13.7]	44.8 [13.1]	43.3 [12.7]	43.8 [12.8]	42.1 [12.3]	40.7 [11.9]	
	Sens BTUH [kW]	33.4 [9.8]	28.3 [8.3]	24.4 [7.2]	39.5 [11.6]	34.0 [10.0]	29.7 [8.7]	43.8 [12.8]	38.2 [11.2]	33.6 [9.9]	
	Power	3.1	3.0	3.0	3.1	3.0	3.0	3.1	3.0	3.0	
95 [35]	Total BTUH [kW]	48.2 [14.1]	46.3 [13.6]	44.8 [13.1]	45.1 [13.2]	43.3 [12.7]	41.8 [12.3]	42.2 [12.4]	40.6 [11.9]	39.2 [11.5]	
	Sens BTUH [kW]	32.5 [9.5]	27.6 [8.1]	23.8 [7.0]	38.7 [11.4]	33.3 [9.8]	29.0 [8.5]	42.2 [12.4]	37.4 [11.0]	32.9 [9.7]	
	Power	3.3	3.2	3.2	3.3	3.2	3.1	3.2	3.2	3.1	
100 [37.8]	Total BTUH [kW]	46.7 [13.7]	44.9 [13.2]	43.3 [12.7]	43.5 [12.7]	41.8 [12.3]	40.4 [11.8]	40.7 [11.9]	39.1 [11.5]	37.8 [11.1]	
	Sens BTUH [kW]	31.7 [9.3]	26.9 [7.9]	23.1 [6.8]	37.8 [11.1]	32.6 [9.6]	28.5 [8.4]	40.7 [11.9]	36.7 [10.8]	32.3 [9.5]	
	Power	3.5	3.4	3.4	3.5	3.4	3.3	3.4	3.4	3.3	
105 [40.6]	Total BTUH [kW]	45.1 [13.2]	43.4 [12.7]	41.9 [12.3]	42.0 [12.3]	40.3 [11.8]	39.0 [11.4]	39.2 [11.5]	37.6 [11.0]	36.4 [10.7]	
	Sens BTUH [kW]	30.8 [9.0]	26.2 [7.7]	22.6 [6.6]	37.0 [10.9]	31.8 [9.3]	27.9 [8.2]	39.2 [11.5]	36.0 [10.6]	31.8 [9.3]	
	Power	3.7	3.6	3.5	3.7	3.6	3.5	3.6	3.6	3.5	
110 [43.3]	Total BTUH [kW]	43.6 [12.8]	41.9 [12.3]	40.5 [11.9]	40.4 [11.8]	38.9 [11.4]	37.6 [11.0]	37.6 [11.0]	36.2 [10.6]	35.0 [10.3]	
	Sens BTUH [kW]	29.9 [8.8]	25.4 [7.5]	21.9 [6.4]	36.1 [10.6]	31.2 [9.2]	27.3 [8.0]	37.6 [11.0]	35.3 [10.4]	31.1 [9.1]	
	Power	3.9	3.8	3.7	3.9	3.8	3.7	3.8	3.8	3.7	
115 [46.1]	Total BTUH [kW]	42.1 [12.3]	40.4 [11.8]	39.1 [11.5]	38.9 [11.4]	37.4 [11.0]	36.1 [10.6]	36.1 [10.6]	34.7 [10.2]	33.5 [9.8]	
	Sens BTUH [kW]	29.0 [8.5]	24.6 [7.2]	21.3 [6.3]	35.2 [10.3]	30.4 [8.9]	26.6 [7.8]	36.1 [10.6]	34.5 [10.1]	30.4 [8.9]	
	Power	4.1	4.0	4.0	4.1	4.0	3.9	4.1	4.0	3.9	

DR —Depression ratio
dbE —Entering air dry bulb
wbE —Entering air wet bulb

Total —Total capacity x 1000 BTUH
Sens —Sensible capacity x 1000 BTUH
Power —kW input

NOTES: ① When the entering air dry bulb is other than 80°F [27°C], adjust the sensible capacity from the table by adding [1.10 x CFM x (1 - DR) x (dbE - 80)].

[] Designates Metric Conversions





GROSS SYSTEMS COOLING PERFORMANCE DATA—RQPM-A048

ENTERING INDOOR AIR @ 80°F [26.7°C] dbE ①											
wbE		71°F [21.7°C]			67°F [19.4°C]			63°F [17.2°C]			
CFM [L/s]		1860 [878]	1550 [732]	1240 [585]	1860 [878]	1550 [732]	1240 [585]	1860 [878]	1550 [732]	1240 [585]	
DR ①		.01	.05	.09	.01	.05	.09	.01	.05	.09	
OUTDOOR DRY BULB TEMPERATURE °F [°C]	75 [23.9]	Total BTUH [kW]	60.4 [17.7]	58.3 [17.1]	56.1 [16.4]	57.1 [16.7]	55.1 [16.1]	53.1 [15.6]	52.9 [15.5]	51.1 [15.0]	49.2 [14.4]
		Sens BTUH [kW]	38.0 [11.1]	32.7 [9.6]	27.7 [8.1]	45.7 [13.4]	39.8 [11.7]	34.3 [10.1]	49.4 [14.5]	43.4 [12.7]	37.6 [11.0]
		Power	3.1	3.0	3.0	3.1	3.0	3.0	3.1	3.0	3.0
	80 [26.7]	Total BTUH [kW]	58.9 [17.3]	56.8 [16.6]	54.8 [16.1]	55.6 [16.3]	53.7 [15.7]	51.7 [15.2]	51.4 [15.1]	49.6 [14.5]	47.8 [14.0]
		Sens BTUH [kW]	37.6 [11.0]	32.3 [9.5]	27.5 [8.1]	45.4 [13.3]	39.6 [11.6]	34.1 [10.0]	49.0 [14.4]	43.0 [12.6]	37.4 [11.0]
		Power	3.3	3.2	3.2	3.3	3.2	3.1	3.2	3.2	3.1
	85 [29.4]	Total BTUH [kW]	57.3 [16.8]	55.3 [16.2]	53.3 [15.6]	54.1 [15.9]	52.2 [15.3]	50.3 [14.7]	49.9 [14.6]	48.1 [14.1]	46.4 [13.6]
		Sens BTUH [kW]	37.0 [10.9]	31.8 [9.3]	27.0 [7.9]	44.8 [13.1]	39.1 [11.5]	33.7 [9.9]	48.4 [14.2]	42.5 [12.5]	37.0 [10.9]
		Power	3.5	3.4	3.3	3.4	3.4	3.3	3.4	3.4	3.3
90 [32.2]	Total BTUH [kW]	55.7 [16.3]	53.7 [15.7]	51.8 [15.2]	52.4 [15.4]	50.6 [14.8]	48.7 [14.3]	48.2 [14.1]	46.5 [13.6]	44.8 [13.1]	
	Sens BTUH [kW]	36.3 [10.6]	31.2 [9.2]	26.6 [7.8]	44.1 [12.9]	38.5 [11.3]	33.2 [9.7]	47.7 [14.0]	41.9 [12.3]	36.4 [10.7]	
	Power	3.7	3.6	3.5	3.6	3.6	3.5	3.6	3.6	3.5	
95 [35]	Total BTUH [kW]	54.0 [15.8]	52.1 [15.3]	50.2 [14.7]	50.7 [14.9]	49.0 [14.4]	47.2 [13.8]	46.5 [13.6]	44.9 [13.2]	43.3 [12.7]	
	Sens BTUH [kW]	35.4 [10.4]	30.5 [8.9]	25.9 [7.6]	43.2 [12.7]	37.8 [11.1]	32.6 [9.6]	46.5 [13.6]	41.2 [12.1]	35.9 [10.5]	
	Power	3.9	3.8	3.7	3.9	3.8	3.7	3.8	3.8	3.7	
100 [37.8]	Total BTUH [kW]	52.2 [15.3]	50.4 [14.8]	48.6 [14.2]	49.0 [14.4]	47.3 [13.9]	45.5 [13.3]	44.8 [13.1]	43.2 [12.7]	41.6 [12.2]	
	Sens BTUH [kW]	34.3 [10.1]	29.6 [8.7]	25.2 [7.4]	42.2 [12.4]	36.9 [10.8]	31.8 [9.3]	44.8 [13.1]	40.3 [11.8]	35.1 [10.3]	
	Power	4.1	4.0	3.9	4.1	4.0	3.9	4.1	4.0	3.9	
105 [40.6]	Total BTUH [kW]	50.4 [14.8]	48.7 [14.3]	46.9 [13.7]	47.2 [13.8]	45.5 [13.3]	43.8 [12.8]	43.0 [12.6]	41.5 [12.2]	39.9 [11.7]	
	Sens BTUH [kW]	33.2 [9.7]	28.7 [8.4]	24.4 [7.2]	41.1 [12.1]	35.9 [10.5]	31.0 [9.1]	43.0 [12.6]	39.4 [11.6]	34.3 [10.1]	
	Power	4.3	4.2	4.2	4.3	4.2	4.2	4.3	4.2	4.2	
110 [43.3]	Total BTUH [kW]	48.5 [14.2]	46.8 [13.7]	45.1 [13.2]	45.3 [13.3]	43.7 [12.8]	42.1 [12.3]	41.1 [12.0]	39.6 [11.6]	38.2 [11.2]	
	Sens BTUH [kW]	31.8 [9.3]	27.4 [8.0]	23.3 [6.8]	39.7 [11.6]	34.7 [10.2]	30.0 [8.8]	41.1 [12.1]	38.2 [11.2]	33.4 [9.8]	
	Power	4.6	4.5	4.4	4.6	4.5	4.4	4.5	4.5	4.4	
115 [46.1]	Total BTUH [kW]	46.6 [13.7]	45.0 [13.2]	43.3 [12.7]	43.3 [12.7]	41.8 [12.3]	40.3 [11.8]	39.1 [11.5]	37.7 [11.0]	36.4 [10.7]	
	Sens BTUH [kW]	30.4 [8.9]	26.2 [7.7]	22.2 [6.5]	38.2 [11.2]	33.4 [9.8]	28.9 [8.5]	39.1 [11.5]	36.8 [10.8]	32.2 [9.4]	
	Power	4.8	4.7	4.7	4.8	4.7	4.6	4.8	4.7	4.6	

GROSS SYSTEMS COOLING PERFORMANCE DATA—RQPM-A049

ENTERING INDOOR AIR @ 80°F [26.7°C] dbE ①											
wbE		71°F [21.7°C]			67°F [19.4°C]			63°F [17.2°C]			
CFM [L/s]		1860 [878]	1525 [720]	1240 [585]	1860 [878]	1525 [720]	1240 [585]	1860 [878]	1525 [720]	1240 [585]	
DR ①		.08	.13	.18	.08	.13	.18	.08	.13	.18	
OUTDOOR DRY BULB TEMPERATURE °F [°C]	75 [23.9]	Total BTUH [kW]	60.3 [17.7]	58.0 [17.0]	56.0 [16.4]	57.4 [16.8]	55.2 [16.2]	53.3 [15.6]	54.6 [16.0]	52.5 [15.4]	50.7 [14.9]
		Sens BTUH [kW]	37.9 [11.1]	32.1 [9.4]	27.5 [8.1]	44.5 [13.1]	38.2 [11.2]	33.1 [9.7]	50.3 [14.8]	43.5 [12.8]	38.1 [11.2]
		Power	3.1	3.0	3.0	3.0	3.0	2.9	3.0	3.0	2.9
	80 [26.7]	Total BTUH [kW]	59.0 [17.3]	56.7 [16.6]	54.8 [16.1]	56.0 [16.4]	53.9 [15.8]	52.0 [15.2]	53.2 [15.6]	51.2 [15.0]	49.4 [14.5]
		Sens BTUH [kW]	37.4 [11.0]	31.6 [9.3]	27.1 [8.0]	43.9 [12.9]	37.7 [11.1]	32.7 [9.6]	49.6 [14.5]	43.0 [12.6]	37.6 [11.0]
		Power	3.3	3.2	3.1	3.2	3.2	3.1	3.2	3.1	3.1
	85 [29.4]	Total BTUH [kW]	57.4 [16.8]	55.2 [16.2]	53.3 [15.6]	54.5 [16.0]	52.4 [15.4]	50.6 [14.8]	51.7 [15.2]	49.7 [14.6]	48.0 [14.1]
		Sens BTUH [kW]	36.6 [10.7]	31.0 [9.1]	26.6 [7.8]	43.2 [12.7]	37.1 [10.9]	32.2 [9.4]	49.0 [14.4]	42.4 [12.4]	37.2 [10.9]
		Power	3.4	3.4	3.3	3.4	3.3	3.3	3.4	3.3	3.3
90 [32.2]	Total BTUH [kW]	55.7 [16.3]	53.6 [15.7]	51.8 [15.2]	52.8 [15.5]	50.8 [14.9]	49.0 [14.4]	50.0 [14.7]	48.0 [14.1]	46.4 [13.6]	
	Sens BTUH [kW]	35.7 [10.5]	30.3 [8.9]	26.0 [7.6]	42.3 [12.4]	36.4 [10.7]	31.6 [9.3]	48.1 [14.1]	41.6 [12.2]	36.5 [10.7]	
	Power	3.6	3.6	3.5	3.6	3.5	3.5	3.6	3.5	3.4	
95 [35]	Total BTUH [kW]	53.9 [15.8]	51.8 [15.2]	50.0 [14.7]	50.9 [14.9]	49.0 [14.4]	47.3 [13.9]	48.1 [14.1]	46.3 [13.6]	44.7 [13.1]	
	Sens BTUH [kW]	34.9 [10.2]	29.6 [8.7]	25.4 [7.5]	41.5 [12.2]	35.7 [10.5]	31.0 [9.1]	47.2 [13.8]	41.0 [12.0]	36.0 [10.6]	
	Power	3.8	3.8	3.7	3.8	3.7	3.7	3.8	3.7	3.6	
100 [37.8]	Total BTUH [kW]	51.8 [15.2]	49.8 [14.6]	48.1 [14.1]	48.9 [14.3]	47.0 [13.8]	45.4 [13.3]	46.1 [13.5]	44.3 [13.0]	42.8 [12.5]	
	Sens BTUH [kW]	34.0 [10.0]	28.8 [8.5]	24.7 [7.2]	40.6 [11.9]	34.9 [10.2]	30.4 [8.9]	46.1 [13.5]	40.2 [11.8]	35.3 [10.4]	
	Power	4.0	4.0	3.9	4.0	3.9	3.9	4.0	3.9	3.8	
105 [40.6]	Total BTUH [kW]	49.6 [14.5]	47.7 [14.0]	46.1 [13.5]	46.7 [13.7]	44.9 [13.2]	43.4 [12.7]	43.9 [12.9]	42.2 [12.4]	40.8 [12.0]	
	Sens BTUH [kW]	33.0 [9.7]	28.0 [8.2]	24.1 [7.1]	39.6 [11.6]	34.1 [10.0]	29.8 [8.7]	43.9 [12.9]	39.4 [11.6]	34.7 [10.2]	
	Power	4.3	4.2	4.1	4.2	4.2	4.1	4.2	4.1	4.1	
110 [43.3]	Total BTUH [kW]	47.3 [13.9]	45.4 [13.3]	43.9 [12.9]	44.3 [13.0]	42.6 [12.5]	41.2 [12.1]	41.5 [12.2]	39.9 [11.7]	38.6 [11.3]	
	Sens BTUH [kW]	32.0 [9.4]	27.1 [8.0]	23.4 [6.9]	38.4 [11.3]	33.1 [9.7]	28.9 [8.5]	41.5 [12.2]	38.5 [11.3]	34.0 [10.0]	
	Power	4.5	4.4	4.3	4.5	4.4	4.3	4.4	4.3	4.3	
115 [46.1]	Total BTUH [kW]	44.7 [13.1]	43.0 [12.6]	41.6 [12.2]	41.8 [12.3]	40.2 [11.8]	38.8 [11.4]	39.0 [11.4]	37.5 [11.0]	36.2 [10.6]	
	Sens BTUH [kW]	30.7 [9.0]	26.1 [7.7]	22.5 [6.6]	37.3 [10.9]	32.2 [9.4]	28.1 [8.2]	39.0 [11.4]	37.5 [11.0]	33.0 [9.7]	
	Power	4.7	4.6	4.6	4.7	4.6	4.5	4.7	4.6	4.5	

DR —Depression ratio
dbE—Entering air dry bulb
wbE—Entering air wet bulb

Total —Total capacity x 1000 BTUH
Sens —Sensible capacity x 1000 BTUH
Power —KW input

NOTES: ① When the entering air dry bulb is other than 80°F [27°C], adjust the sensible capacity from the table by adding $[1.10 \times \text{CFM} \times (1 - \text{DR}) \times (\text{dbE} - 80)]$.

[] Designates Metric Conversions





GROSS SYSTEMS COOLING PERFORMANCE DATA—RQPM-A060

		ENTERING INDOOR AIR @ 80°F [26.7°C] dbE ①									
wbE		71°F [21.7°C]			67°F [19.4°C]			63°F [17.2°C]			
CFM [L/s]		2280 [1076]	1900 [897]	1520 [717]	2280 [1076]	1900 [897]	1520 [717]	2280 [1076]	1900 [897]	1520 [717]	
DR ①		0	.04	.08	0	.04	.08	0	.04	.08	
OUTDOOR DRY BULB TEMPERATURE °F [°C]	75 [23.9]	Total BTUH [kW] Sens BTUH [kW] Power	78.4 [23.0] 49.9 [14.6] 3.7	75.7 [22.2] 42.9 [12.6] 3.6	72.9 [21.4] 36.4 [10.7] 3.6	72.6 [21.3] 58.6 [17.2] 3.7	70.1 [20.5] 51.1 [15.0] 3.6	67.5 [19.8] 44.0 [12.9] 3.5	69.8 [20.5] 66.5 [19.5] 3.6	67.4 [19.8] 58.4 [17.1] 3.6	64.9 [19.0] 50.7 [14.9] 3.5
	80 [26.7]	Total BTUH [kW] Sens BTUH [kW] Power	76.0 [22.3] 48.5 [14.2] 3.9	73.3 [21.5] 41.7 [12.2] 3.8	70.7 [20.7] 35.5 [10.4] 3.8	70.2 [20.6] 57.4 [16.8] 3.9	67.8 [19.9] 50.1 [14.7] 3.8	65.3 [19.1] 43.2 [12.7] 3.7	67.4 [19.8] 65.2 [19.1] 3.8	65.1 [19.1] 57.3 [16.8] 3.8	62.7 [18.4] 49.8 [14.6] 3.7
	85 [29.4]	Total BTUH [kW] Sens BTUH [kW] Power	73.7 [21.6] 47.5 [13.9] 4.1	71.1 [20.8] 40.8 [12.0] 4.1	68.5 [20.1] 34.6 [10.2] 4.0	67.9 [19.9] 56.2 [16.5] 4.1	65.5 [19.2] 49.0 [14.4] 4.0	63.1 [18.5] 42.3 [12.4] 4.0	65.1 [19.1] 64.0 [18.8] 4.1	62.8 [18.4] 56.2 [16.5] 4.0	60.5 [17.7] 48.9 [14.3] 3.9
	90 [32.2]	Total BTUH [kW] Sens BTUH [kW] Power	71.4 [20.9] 46.1 [13.5] 4.4	68.9 [20.2] 39.7 [11.6] 4.3	66.4 [19.5] 33.7 [9.9] 4.2	65.6 [19.2] 55.0 [16.1] 4.3	63.3 [18.6] 48.0 [14.1] 4.3	61.0 [17.9] 41.4 [12.1] 4.2	62.8 [18.4] 62.8 [18.4] 4.3	60.6 [17.8] 55.2 [16.2] 4.2	58.4 [17.1] 48.1 [14.1] 4.1
	95 [35]	Total BTUH [kW] Sens BTUH [kW] Power	69.2 [20.3] 45.0 [13.2] 4.6	66.8 [19.6] 38.8 [11.4] 4.5	64.4 [18.9] 33.0 [9.7] 4.5	63.4 [18.6] 53.8 [15.8] 4.6	61.2 [17.9] 47.0 [13.8] 4.5	59.0 [17.3] 40.6 [11.9] 4.4	60.6 [17.8] 60.6 [17.8] 4.5	58.5 [17.1] 54.2 [15.9] 4.5	56.4 [16.5] 47.2 [13.8] 4.4
	100 [37.8]	Total BTUH [kW] Sens BTUH [kW] Power	67.1 [19.7] 43.8 [12.8] 4.9	64.7 [19.0] 37.7 [11.1] 4.8	62.4 [18.3] 32.1 [9.4] 4.7	61.3 [18.0] 52.7 [15.5] 4.8	59.2 [17.3] 46.1 [13.5] 4.8	57.0 [16.7] 39.8 [11.7] 4.7	58.5 [17.1] 58.5 [17.2] 4.8	56.5 [16.6] 53.3 [15.6] 4.7	54.4 [15.9] 46.4 [13.6] 4.6
	105 [40.6]	Total BTUH [kW] Sens BTUH [kW] Power	65.1 [19.1] 42.7 [12.5] 5.1	62.8 [18.4] 36.8 [10.8] 5.1	60.5 [17.7] 31.3 [9.2] 5.0	59.3 [17.4] 51.6 [15.1] 5.1	57.2 [16.8] 45.1 [13.2] 5.0	55.1 [16.1] 39.0 [11.4] 4.9	56.5 [16.6] 56.5 [16.6] 5.1	54.5 [16.0] 52.3 [15.3] 5.0	52.5 [15.4] 45.6 [13.4] 4.9
	110 [43.3]	Total BTUH [kW] Sens BTUH [kW] Power	63.1 [18.5] 41.7 [12.2] 5.4	60.9 [17.8] 35.9 [10.5] 5.3	58.7 [17.2] 30.6 [9.0] 5.2	57.3 [16.8] 50.5 [14.8] 5.4	55.3 [16.2] 44.2 [13.0] 5.3	53.3 [15.6] 38.3 [11.2] 5.2	54.5 [16.0] 54.5 [16.0] 5.4	52.6 [15.4] 51.4 [15.1] 5.3	50.7 [14.9] 44.9 [13.2] 5.2
	115 [46.1]	Total BTUH [kW] Sens BTUH [kW] Power	61.2 [17.9] 40.6 [11.9] 5.7	59.1 [17.3] 35.0 [10.3] 5.6	56.9 [16.7] 29.7 [8.7] 5.5	55.4 [16.2] 49.4 [14.5] 5.7	53.5 [15.7] 43.3 [12.7] 5.6	51.5 [15.1] 37.4 [11.0] 5.5	52.6 [15.4] 52.6 [15.4] 5.7	50.8 [14.9] 50.5 [14.8] 5.6	48.9 [14.3] 44.1 [12.9] 5.5

DR —Depression ratio
dbE —Entering air dry bulb
wbE —Entering air wet bulb

Total —Total capacity x 1000 BTUH
Sens —Sensible capacity x 1000 BTUH
Power —KW input

NOTES: ① When the entering air dry bulb is other than 80°F [27°C], adjust the sensible capacity from the table by adding $[1.10 \times \text{CFM} \times (1 - \text{DR}) \times (\text{dbE} - 80)]$.

[] Designates Metric Conversions





GROSS SYSTEMS COOLING PERFORMANCE DATA—RQRM-A024

		ENTERING INDOOR AIR @ 80°F [26.7°C] dbE ①									
		71°F [21.7°C]			67°F [19.4°C]			63°F [17.2°C]			
wbE		1200 [566]	900 [425]	800 [378]	1200 [566]	900 [425]	800 [378]	1200 [566]	900 [425]	800 [378]	
CFM [L/s]		1200 [566]	900 [425]	800 [378]	1200 [566]	900 [425]	800 [378]	1200 [566]	900 [425]	800 [378]	
DR ①		.03	.06	.06	.03	.06	.06	.03	.06	.06	
OUTDOOR DRY BULB TEMPERATURE °F [°C]	75 [23.9]	Total BTUH [kW] Sens BTUH [kW] Power	36.9 [10.8] 29.4 [8.6] 1.5	34.8 [10.2] 23.3 [6.8] 1.4	34.1 [10.0] 21.4 [6.3] 1.4	29.9 [8.8] 27.4 [8.0] 1.5	28.2 [8.3] 22.0 [6.5] 1.4	27.6 [8.1] 20.3 [6.0] 1.4	16.5 [4.8] 15.8 [4.6] 1.4	15.5 [4.5] 12.7 [3.7] 1.4	15.2 [4.5] 11.8 [3.5] 1.4
	80 [26.7]	Total BTUH [kW] Sens BTUH [kW] Power	35.8 [10.5] 28.7 [8.4] 1.5	33.7 [9.9] 22.7 [6.7] 1.5	33.0 [9.7] 20.9 [6.1] 1.5	28.8 [8.4] 26.7 [7.8] 1.5	27.1 [7.9] 21.4 [6.3] 1.5	26.6 [7.8] 19.8 [5.8] 1.5	15.3 [4.5] 15.1 [4.4] 1.5	14.4 [4.2] 12.2 [3.6] 1.5	14.2 [4.2] 11.4 [3.4] 1.5
	85 [29.4]	Total BTUH [kW] Sens BTUH [kW] Power	34.7 [10.2] 28.0 [8.2] 1.6	32.7 [9.6] 22.2 [6.5] 1.6	32.0 [9.4] 20.4 [6.0] 1.6	27.7 [8.1] 26.0 [7.6] 1.6	26.1 [7.6] 20.9 [6.1] 1.6	25.6 [7.5] 19.3 [5.7] 1.6	14.3 [4.2] 14.3 [4.2] 1.6	13.4 [3.9] 11.7 [3.4] 1.6	13.2 [3.9] 10.9 [3.2] 1.5
	90 [32.2]	Total BTUH [kW] Sens BTUH [kW] Power	33.7 [9.9] 27.5 [8.1] 1.7	31.8 [9.3] 21.9 [6.4] 1.7	31.1 [9.1] 20.1 [5.9] 1.7	26.7 [7.8] 25.5 [7.5] 1.7	25.2 [7.4] 20.6 [6.0] 1.7	24.7 [7.2] 19.1 [5.6] 1.6	13.3 [3.9] 13.3 [3.9] 1.7	12.5 [3.7] 11.4 [3.4] 1.7	12.3 [3.6] 10.6 [3.1] 1.6
	95 [35]	Total BTUH [kW] Sens BTUH [kW] Power	32.8 [9.6] 27.2 [8.0] 1.8	30.9 [9.1] 21.6 [6.3] 1.8	30.3 [8.9] 19.9 [5.8] 1.8	25.8 [7.6] 25.2 [7.4] 1.8	24.3 [7.1] 20.3 [6.0] 1.8	23.8 [7.0] 18.8 [5.5] 1.7	12.3 [3.6] 12.3 [3.6] 1.8	11.6 [3.4] 11.1 [3.3] 1.7	11.4 [3.3] 10.3 [3.0] 1.7
	100 [37.8]	Total BTUH [kW] Sens BTUH [kW] Power	31.9 [9.3] 26.8 [7.9] 1.9	30.1 [8.8] 21.4 [6.3] 1.9	29.5 [8.6] 19.7 [5.8] 1.9	24.9 [7.3] 24.8 [7.3] 1.9	23.5 [6.9] 20.1 [5.9] 1.9	23.0 [6.7] 18.6 [5.5] 1.8	11.5 [3.4] 11.5 [3.4] 1.9	10.8 [3.2] 10.8 [3.2] 1.9	10.6 [3.1] 10.1 [3.0] 1.8
	105 [40.6]	Total BTUH [kW] Sens BTUH [kW] Power	31.2 [9.1] 26.7 [7.8] 2.0	29.4 [8.6] 21.3 [6.3] 2.0	28.8 [8.4] 19.6 [5.8] 2.0	24.2 [7.1] 24.2 [7.1] 2.0	22.8 [6.7] 20.0 [5.9] 2.0	22.3 [6.5] 18.5 [5.4] 2.0	10.7 [3.1] 10.7 [3.1] 2.0	10.1 [3.0] 10.1 [3.0] 2.0	9.9 [2.9] 9.9 [2.9] 1.9
	110 [43.3]	Total BTUH [kW] Sens BTUH [kW] Power	30.5 [8.9] 26.7 [7.8] 2.2	28.7 [8.4] 21.3 [6.3] 2.1	28.2 [8.3] 19.7 [5.8] 2.1	23.5 [6.9] 23.5 [6.9] 2.1	22.1 [6.5] 20.0 [5.9] 2.1	21.7 [6.4] 18.6 [5.5] 2.1	10.0 [2.9] 10.0 [2.9] 2.1	9.5 [2.8] 9.5 [2.8] 2.1	9.3 [2.7] 9.3 [2.7] 2.1
	115 [46.1]	Total BTUH [kW] Sens BTUH [kW] Power	29.9 [8.8] 26.8 [7.9] 2.3	28.2 [8.3] 21.5 [6.3] 2.2	27.6 [8.1] 19.8 [5.8] 2.2	22.9 [6.7] 22.9 [6.7] 2.3	21.6 [6.3] 20.2 [5.9] 2.2	21.1 [6.2] 18.7 [5.5] 2.2	9.4 [2.8] 9.4 [2.8] 2.3	8.9 [2.6] 8.9 [2.6] 2.2	8.7 [2.5] 8.7 [2.6] 2.2

GROSS SYSTEMS COOLING PERFORMANCE DATA—RQRM-A030

		ENTERING INDOOR AIR @ 80°F [26.7°C] dbE ①									
		71°F [21.7°C]			67°F [19.4°C]			63°F [17.2°C]			
wbE		1200 [566]	1000 [472]	800 [378]	1200 [566]	1000 [472]	800 [378]	1200 [566]	1000 [472]	800 [378]	
CFM [L/s]		1200 [566]	1000 [472]	800 [378]	1200 [566]	1000 [472]	800 [378]	1200 [566]	1000 [472]	800 [378]	
DR ①		.04	.06	.09	.04	.06	.09	.04	.06	.09	
OUTDOOR DRY BULB TEMPERATURE °F [°C]	75 [23.9]	Total BTUH [kW] Sens BTUH [kW] Power	37.9 [11.1] 25.4 [7.5] 1.7	36.6 [10.7] 21.9 [6.4] 1.6	35.2 [10.3] 18.6 [5.5] 1.6	35.9 [10.5] 29.6 [8.7] 1.6	34.6 [10.1] 25.8 [7.6] 1.6	33.3 [9.8] 22.2 [6.5] 1.6	34.2 [10.0] 32.5 [9.5] 1.6	33.0 [9.7] 28.5 [8.4] 1.6	31.8 [9.3] 24.8 [7.3] 1.6
	80 [26.7]	Total BTUH [kW] Sens BTUH [kW] Power	36.7 [10.8] 24.7 [7.2] 1.7	35.4 [10.4] 21.3 [6.3] 1.7	34.2 [10.0] 18.2 [5.3] 1.7	34.7 [10.2] 29.0 [8.5] 1.7	33.5 [9.8] 25.3 [7.4] 1.7	32.3 [9.5] 21.9 [6.4] 1.7	33.1 [9.7] 31.9 [9.4] 1.7	31.9 [9.3] 28.0 [8.2] 1.7	30.7 [9.0] 24.3 [7.1] 1.6
	85 [29.4]	Total BTUH [kW] Sens BTUH [kW] Power	35.5 [10.4] 24.1 [7.1] 1.8	34.2 [10.0] 20.7 [6.1] 1.8	33.0 [9.7] 17.7 [5.2] 1.8	33.5 [9.8] 28.3 [8.3] 1.8	32.3 [9.5] 24.7 [7.2] 1.8	31.1 [9.1] 21.3 [6.3] 1.8	31.8 [9.3] 31.2 [9.2] 1.8	30.7 [9.0] 27.4 [8.0] 1.8	29.6 [8.7] 23.8 [7.0] 1.7
	90 [32.2]	Total BTUH [kW] Sens BTUH [kW] Power	34.2 [10.0] 23.4 [6.9] 1.9	33.0 [9.7] 20.2 [5.9] 1.9	31.8 [9.3] 17.2 [5.1] 1.9	32.1 [9.4] 27.6 [8.1] 1.9	31.0 [9.1] 24.1 [7.1] 1.9	29.9 [8.8] 20.9 [6.1] 1.9	30.5 [8.9] 30.5 [8.9] 1.9	29.4 [8.6] 26.8 [7.9] 1.9	28.3 [8.3] 23.3 [6.8] 1.8
	95 [35]	Total BTUH [kW] Sens BTUH [kW] Power	32.7 [9.6] 22.6 [6.6] 2.1	31.6 [9.3] 19.6 [5.8] 2.0	30.4 [8.9] 16.7 [4.9] 2.0	30.7 [9.0] 26.8 [7.9] 2.0	29.6 [8.7] 23.4 [6.9] 2.0	28.5 [8.4] 20.2 [5.9] 2.0	29.0 [8.5] 29.0 [8.5] 2.0	28.0 [8.2] 26.1 [7.7] 2.0	27.0 [7.9] 22.8 [6.7] 2.0
	100 [37.8]	Total BTUH [kW] Sens BTUH [kW] Power	31.2 [9.1] 21.9 [6.4] 2.2	30.1 [8.8] 18.9 [5.5] 2.1	29.0 [8.5] 16.1 [4.7] 2.1	29.2 [8.6] 26.0 [7.6] 2.2	28.1 [8.2] 22.7 [6.7] 2.1	27.1 [7.9] 19.7 [5.8] 2.1	27.5 [8.1] 27.5 [8.1] 2.2	26.6 [7.8] 25.5 [7.5] 2.1	25.6 [7.5] 22.2 [6.5] 2.1
	105 [40.6]	Total BTUH [kW] Sens BTUH [kW] Power	29.6 [8.7] 21.0 [6.2] 2.3	28.5 [8.4] 18.1 [5.3] 2.3	27.5 [8.1] 15.5 [4.6] 2.2	27.5 [8.1] 25.1 [7.4] 2.3	26.6 [7.8] 22.1 [6.5] 2.3	25.6 [7.5] 19.1 [5.6] 2.2	25.9 [7.6] 25.9 [7.6] 2.3	25.0 [7.3] 24.8 [7.3] 2.2	24.1 [7.1] 21.7 [6.4] 2.2
	110 [43.3]	Total BTUH [kW] Sens BTUH [kW] Power	27.9 [8.2] 20.1 [5.9] 2.5	26.9 [7.9] 17.4 [5.1] 2.4	25.9 [7.6] 14.9 [4.4] 2.4	25.8 [7.6] 24.3 [7.1] 2.4	24.9 [7.3] 21.3 [6.3] 2.4	24.0 [7.0] 18.5 [5.4] 2.4	24.2 [7.1] 24.2 [7.1] 2.4	23.3 [6.8] 23.3 [6.8] 2.4	22.5 [6.6] 20.9 [6.1] 2.3
	115 [46.1]	Total BTUH [kW] Sens BTUH [kW] Power	26.0 [7.6] 19.0 [5.6] 2.6	25.1 [7.4] 16.5 [4.8] 2.6	24.2 [7.1] 14.1 [4.1] 2.5	24.0 [7.0] 23.3 [6.8] 2.6	23.2 [6.8] 20.5 [6.0] 2.6	22.3 [6.5] 17.8 [5.2] 2.5	22.4 [6.6] 22.4 [6.6] 2.6	21.6 [6.3] 21.6 [6.3] 2.5	20.8 [6.1] 20.3 [6.0] 2.5

DR —Depression ratio
dbE—Entering air dry bulb
wbE—Entering air wet bulb

Total —Total capacity x 1000 BTUH
Sens —Sensible capacity x 1000 BTUH
Power—KW input

NOTES: ① When the entering air dry bulb is other than 80°F [27°C], adjust the sensible capacity from the table by adding [1.10 x CFM x (1 - DR) x (dbE - 80)].

[] Designates Metric Conversions



GROSS SYSTEMS COOLING PERFORMANCE DATA—RQRM-A036

		ENTERING INDOOR AIR @ 80°F [26.7°C] dbE ①									
wbE		71°F [21.7°C]			67°F [19.4°C]			63°F [17.2°C]			
CFM [L/s]		1440 [680]	1200 [566]	960 [453]	1440 [680]	1200 [566]	960 [453]	1440 [680]	1200 [566]	960 [453]	
DR ①		.0	.0	.0	.0	.0	.0	.0	.0	.0	
OUTDOOR DRY BULB TEMPERATURE °F [°C]	75 [23.9]	Total BTUH [kW] Sens BTUH [kW] Power	44.7 [13.1] 31.6 [9.3] 2.0	43.1 [12.6] 27.3 [8.0] 2.0	41.5 [12.2] 23.3 [6.8] 1.9	41.6 [12.2] 37.0 [10.9] 2.0	40.2 [11.8] 32.4 [9.5] 1.9	38.7 [11.3] 28.0 [8.2] 1.9	39.9 [11.7] 39.9 [11.7] 2.0	38.5 [11.3] 35.3 [10.4] 1.9	37.1 [10.9] 30.7 [9.0] 1.9
	80 [26.7]	Total BTUH [kW] Sens BTUH [kW] Power	43.3 [12.7] 31.2 [9.2] 2.1	41.8 [12.3] 27.0 [7.9] 2.1	40.3 [11.8] 23.1 [6.8] 2.0	40.3 [11.8] 36.6 [10.7] 2.1	38.9 [11.4] 32.1 [9.4] 2.0	37.4 [11.0] 27.7 [8.1] 2.0	38.6 [11.3] 38.6 [11.3] 2.1	37.2 [10.9] 35.0 [10.3] 2.0	35.9 [10.5] 30.6 [9.0] 2.0
	85 [29.4]	Total BTUH [kW] Sens BTUH [kW] Power	42.0 [12.3] 30.6 [9.0] 2.2	40.5 [11.9] 26.5 [7.8] 2.2	39.0 [11.4] 22.7 [6.7] 2.1	38.9 [11.4] 36.0 [10.6] 2.2	37.5 [11.0] 31.5 [9.2] 2.2	36.2 [10.6] 27.4 [8.0] 2.1	37.2 [10.9] 37.2 [10.9] 2.2	35.9 [10.5] 34.5 [10.1] 2.1	34.6 [10.1] 30.1 [8.8] 2.1
	90 [32.2]	Total BTUH [kW] Sens BTUH [kW] Power	40.6 [11.9] 29.7 [8.7] 2.3	39.2 [11.5] 25.8 [7.6] 2.3	37.8 [11.1] 22.1 [6.5] 2.3	37.6 [11.0] 35.2 [10.3] 2.3	36.3 [10.6] 30.9 [9.1] 2.3	34.9 [10.2] 26.7 [7.8] 2.2	35.9 [10.5] 35.9 [10.5] 2.3	34.6 [10.1] 33.8 [9.9] 2.3	33.4 [9.8] 29.6 [8.7] 2.2
	95 [35]	Total BTUH [kW] Sens BTUH [kW] Power	39.3 [11.5] 28.8 [8.5] 2.5	37.9 [11.1] 24.9 [7.3] 2.4	36.5 [10.7] 21.3 [6.3] 2.4	36.2 [10.6] 34.1 [10.0] 2.5	35.0 [10.3] 30.0 [8.8] 2.4	33.7 [9.9] 26.0 [7.6] 2.4	34.5 [10.1] 34.5 [10.1] 2.4	33.3 [9.8] 32.9 [9.7] 2.4	32.1 [9.4] 28.7 [8.4] 2.4
	100 [37.8]	Total BTUH [kW] Sens BTUH [kW] Power	38.0 [11.1] 27.7 [8.1] 2.6	36.6 [10.7] 23.9 [7.0] 2.6	35.3 [10.3] 20.5 [6.0] 2.5	34.9 [10.2] 33.0 [9.7] 2.6	33.7 [9.9] 29.0 [8.5] 2.6	32.4 [9.5] 25.1 [7.4] 2.5	33.2 [9.7] 33.2 [9.7] 2.6	32.0 [9.4] 31.9 [9.4] 2.5	30.9 [9.1] 27.9 [8.2] 2.5
	105 [40.6]	Total BTUH [kW] Sens BTUH [kW] Power	36.6 [10.7] 26.2 [7.7] 2.8	35.3 [10.3] 22.7 [6.7] 2.7	34.1 [10.0] 19.5 [5.7] 2.7	33.6 [9.8] 31.7 [9.3] 2.8	32.4 [9.5] 27.8 [8.2] 2.7	31.2 [9.1] 24.1 [7.1] 2.7	31.9 [9.3] 31.9 [9.4] 2.7	30.8 [9.0] 30.8 [9.0] 2.7	29.6 [8.7] 26.8 [7.9] 2.6
	110 [43.3]	Total BTUH [kW] Sens BTUH [kW] Power	35.3 [10.3] 24.7 [7.2] 2.9	34.1 [10.0] 21.4 [6.3] 2.9	32.8 [9.6] 18.2 [5.3] 2.8	32.2 [9.4] 30.1 [8.8] 2.9	31.1 [9.1] 26.4 [7.7] 2.9	30.0 [8.8] 22.9 [6.7] 2.8	30.6 [9.0] 30.6 [9.0] 2.9	29.5 [8.6] 29.4 [8.6] 2.8	28.4 [8.3] 25.7 [7.5] 2.8
115 [46.1]	Total BTUH [kW] Sens BTUH [kW] Power	34.0 [10.0] 23.0 [6.8] 3.1	32.8 [9.6] 19.8 [5.8] 3.0	31.6 [9.3] 16.9 [5.0] 3.0	30.9 [9.1] 28.3 [8.3] 3.1	29.8 [8.7] 24.8 [7.3] 3.0	28.8 [8.4] 21.6 [6.3] 3.0	29.2 [8.6] 29.2 [8.6] 3.1	28.2 [8.3] 27.8 [8.2] 3.0	27.2 [8.0] 24.3 [7.1] 3.0	

GROSS SYSTEMS COOLING PERFORMANCE DATA—RQRM-A042

		ENTERING INDOOR AIR @ 80°F [26.7°C] dbE ①									
wbE		71°F [21.7°C]			67°F [19.4°C]			63°F [17.2°C]			
CFM [L/s]		1860 [878]	1425 [672]	1240 [585]	1860 [878]	1425 [672]	1240 [585]	1860 [878]	1425 [672]	1240 [585]	
DR ①		.05	.09	.11	.05	.09	.11	.05	.09	.11	
OUTDOOR DRY BULB TEMPERATURE °F [°C]	75 [23.9]	Total BTUH [kW] Sens BTUH [kW] Power	54.7 [16.0] 37.1 [10.9] 2.4	51.9 [15.2] 29.7 [8.7] 2.3	50.6 [14.8] 26.7 [7.8] 2.3	51.4 [15.1] 43.4 [12.7] 2.4	48.7 [14.3] 35.3 [10.4] 2.3	47.5 [13.9] 32.0 [9.4] 2.3	48.8 [14.3] 48.1 [14.1] 2.4	46.2 [13.5] 39.5 [11.6] 2.3	45.1 [13.2] 36.1 [10.6] 2.3
	80 [26.7]	Total BTUH [kW] Sens BTUH [kW] Power	53.4 [15.6] 36.6 [10.7] 2.5	50.6 [14.8] 29.2 [8.6] 2.5	49.4 [14.5] 26.3 [7.7] 2.4	50.1 [14.7] 42.8 [12.6] 2.5	47.4 [13.9] 34.8 [10.2] 2.5	46.3 [13.6] 31.7 [9.3] 2.4	47.4 [13.9] 47.4 [13.9] 2.5	44.9 [13.2] 39.0 [11.4] 2.4	43.9 [12.9] 35.7 [10.5] 2.4
	85 [29.4]	Total BTUH [kW] Sens BTUH [kW] Power	52.0 [15.2] 35.9 [10.5] 2.7	49.2 [14.4] 28.6 [8.4] 2.6	48.1 [14.1] 25.8 [7.6] 2.6	48.6 [14.2] 42.0 [12.3] 2.7	46.0 [13.5] 34.2 [10.0] 2.6	45.0 [13.2] 31.2 [9.2] 2.6	46.0 [13.5] 46.0 [13.5] 2.7	43.5 [12.7] 38.4 [11.3] 2.6	42.5 [12.5] 35.1 [10.3] 2.6
	90 [32.2]	Total BTUH [kW] Sens BTUH [kW] Power	50.3 [14.7] 35.1 [10.3] 2.8	47.7 [14.0] 28.1 [8.2] 2.8	46.5 [13.6] 25.3 [7.4] 2.7	47.0 [13.8] 41.4 [12.1] 2.8	44.5 [13.0] 33.7 [9.9] 2.7	43.4 [12.7] 30.6 [9.0] 2.7	44.3 [13.0] 44.3 [13.0] 2.8	42.0 [12.3] 37.9 [11.1] 2.7	41.0 [12.0] 34.7 [10.2] 2.7
	95 [35]	Total BTUH [kW] Sens BTUH [kW] Power	48.5 [14.2] 34.2 [10.0] 3.0	46.0 [13.5] 27.4 [8.0] 2.9	44.9 [13.2] 24.7 [7.2] 2.9	45.2 [13.2] 40.4 [11.9] 3.0	42.8 [12.5] 33.0 [9.7] 2.9	41.8 [12.3] 30.1 [8.8] 2.9	42.5 [12.5] 42.5 [12.5] 3.0	40.3 [11.8] 37.2 [10.9] 2.9	39.3 [11.5] 34.0 [10.0] 2.9
	100 [37.8]	Total BTUH [kW] Sens BTUH [kW] Power	46.6 [13.7] 33.2 [9.7] 3.2	44.1 [12.9] 26.6 [7.8] 3.1	43.1 [12.6] 24.0 [7.0] 3.1	43.2 [12.7] 39.4 [11.6] 3.2	40.9 [12.0] 32.2 [9.4] 3.1	40.0 [11.7] 29.4 [8.6] 3.0	40.6 [11.9] 40.6 [11.9] 3.1	38.4 [11.3] 36.4 [10.7] 3.1	37.5 [11.0] 33.3 [9.8] 3.0
	105 [40.6]	Total BTUH [kW] Sens BTUH [kW] Power	44.5 [13.0] 32.2 [9.4] 3.4	42.1 [12.3] 25.8 [7.6] 3.3	41.1 [12.0] 23.3 [6.8] 3.2	41.1 [12.0] 38.4 [11.3] 3.3	38.9 [11.4] 31.4 [9.2] 3.3	38.0 [11.1] 28.7 [8.4] 3.2	38.5 [11.3] 38.5 [11.3] 3.3	36.4 [10.7] 35.6 [10.4] 3.2	35.6 [10.4] 32.7 [9.6] 3.2
	110 [43.3]	Total BTUH [kW] Sens BTUH [kW] Power	42.2 [12.4] 31.1 [9.1] 3.5	40.0 [11.7] 25.0 [7.3] 3.5	39.0 [11.4] 22.5 [6.6] 3.4	38.8 [11.4] 37.2 [10.9] 3.5	36.8 [10.8] 30.6 [9.0] 3.4	35.9 [10.5] 27.9 [8.2] 3.4	36.2 [10.6] 36.2 [10.6] 3.5	34.3 [10.1] 34.3 [10.1] 3.4	33.5 [9.8] 31.9 [9.4] 3.4
115 [46.1]	Total BTUH [kW] Sens BTUH [kW] Power	39.8 [11.7] 29.9 [8.8] 3.7	37.7 [11.0] 24.1 [7.1] 3.6	36.8 [10.8] 21.8 [6.4] 3.6	36.4 [10.7] 36.1 [10.6] 3.7	34.5 [10.1] 29.7 [8.7] 3.6	33.7 [9.9] 27.1 [8.0] 3.6	33.8 [9.9] 33.8 [9.9] 3.7	32.0 [9.4] 32.0 [9.4] 3.6	31.2 [9.1] 31.1 [9.1] 3.6	

DR — Depression ratio
dbE — Entering air dry bulb
wbE — Entering air wet bulb

Total — Total capacity x 1000 BTUH
Sens — Sensible capacity x 1000 BTUH
Power — kW input

NOTES: ① When the entering air dry bulb is other than 80°F [27°C], adjust the sensible capacity from the table by adding [1.10 x CFM x (1 - DR) x (dbE - 80)].

[] Designates Metric Conversions



**GROSS SYSTEMS COOLING PERFORMANCE DATA—RQRM-A048**

ENTERING INDOOR AIR @ 80°F [26.7°C] dbE ①											
wbE		71°F [21.7°C]			67°F [19.4°C]			63°F [17.2°C]			
CFM [L/s]		1860 [878]	1525 [720]	1240 [585]	1860 [878]	1525 [720]	1240 [585]	1860 [878]	1525 [720]	1240 [585]	
DR ①		.05	.09	.12	.05	.09	.12	.05	.09	.12	
OUTDOOR DRY BULB TEMPERATURE °F [°C]	75 [23.9]	Total BTUH [kW]	56.7 [16.6]	54.6 [16.0]	52.7 [15.4]	53.8 [15.8]	51.7 [15.2]	50.0 [14.7]	50.6 [14.8]	48.7 [14.3]	47.0 [13.8]
		Sens BTUH [kW]	36.8 [10.8]	31.3 [9.2]	26.8 [7.9]	43.8 [12.8]	37.6 [11.0]	32.8 [9.6]	48.3 [14.2]	41.9 [12.3]	36.7 [10.8]
		Power	2.6	2.5	2.5	2.5	2.5	2.4	2.5	2.4	2.4
	80 [26.7]	Total BTUH [kW]	55.8 [16.4]	53.6 [15.7]	51.8 [15.2]	52.8 [15.5]	50.8 [14.9]	49.0 [14.4]	49.6 [14.5]	47.7 [14.0]	46.1 [13.5]
		Sens BTUH [kW]	36.6 [10.7]	31.0 [9.1]	26.7 [7.8]	43.4 [12.7]	37.4 [11.0]	32.5 [9.5]	48.0 [14.1]	41.6 [12.2]	36.5 [10.7]
		Power	2.7	2.7	2.6	2.7	2.6	2.6	2.6	2.6	2.6
	85 [29.4]	Total BTUH [kW]	54.5 [16.0]	52.4 [15.4]	50.6 [14.8]	51.6 [15.1]	49.6 [14.5]	47.9 [14.0]	48.4 [14.2]	46.5 [13.6]	45.0 [13.2]
		Sens BTUH [kW]	36.1 [10.6]	30.6 [9.0]	26.3 [7.7]	43.0 [12.6]	37.0 [10.9]	32.2 [9.4]	47.5 [13.9]	41.2 [12.1]	36.2 [10.6]
Power		2.9	2.8	2.8	2.8	2.8	2.7	2.8	2.8	2.7	
90 [32.2]	Total BTUH [kW]	53.1 [15.6]	51.0 [14.9]	49.3 [14.4]	50.1 [14.7]	48.2 [14.1]	46.5 [13.6]	46.9 [13.7]	45.1 [13.2]	43.6 [12.8]	
	Sens BTUH [kW]	35.5 [10.4]	30.1 [8.8]	25.9 [7.6]	42.3 [12.4]	36.5 [10.7]	31.8 [9.3]	46.9 [13.8]	40.7 [11.9]	35.8 [10.5]	
	Power	3.1	3.0	2.9	3.0	3.0	2.9	3.0	2.9	2.9	
95 [35]	Total BTUH [kW]	51.3 [15.0]	49.4 [14.5]	47.7 [14.0]	48.4 [14.2]	46.5 [13.6]	45.0 [13.2]	45.2 [13.2]	43.5 [12.7]	42.0 [12.3]	
	Sens BTUH [kW]	34.5 [10.1]	29.4 [8.6]	25.3 [7.4]	41.5 [12.2]	35.7 [10.5]	31.2 [9.2]	45.2 [13.3]	40.0 [11.7]	35.1 [10.3]	
	Power	3.2	3.2	3.1	3.2	3.1	3.1	3.2	3.1	3.1	
100 [37.8]	Total BTUH [kW]	49.4 [14.5]	47.5 [13.9]	45.9 [13.5]	46.4 [13.6]	44.6 [13.1]	43.1 [12.6]	43.3 [12.7]	41.6 [12.2]	40.2 [11.8]	
	Sens BTUH [kW]	33.5 [9.8]	28.5 [8.4]	24.6 [7.2]	40.4 [11.9]	34.8 [10.2]	30.4 [8.9]	43.3 [12.7]	39.1 [11.5]	34.4 [10.1]	
	Power	3.4	3.4	3.3	3.4	3.3	3.3	3.4	3.3	3.3	
105 [40.6]	Total BTUH [kW]	47.2 [13.8]	45.4 [13.3]	43.8 [12.8]	44.2 [13.0]	42.5 [12.5]	41.1 [12.0]	41.1 [12.0]	39.5 [11.6]	38.1 [11.2]	
	Sens BTUH [kW]	32.2 [9.4]	27.4 [8.0]	23.5 [6.9]	39.0 [11.4]	33.7 [9.9]	29.5 [8.7]	41.1 [12.1]	38.0 [11.1]	33.4 [9.8]	
	Power	3.7	3.6	3.5	3.6	3.6	3.5	3.6	3.5	3.5	
110 [43.3]	Total BTUH [kW]	44.7 [13.1]	43.0 [12.6]	41.6 [12.2]	41.8 [12.3]	40.2 [11.8]	38.8 [11.4]	38.6 [11.3]	37.1 [10.9]	35.9 [10.5]	
	Sens BTUH [kW]	30.7 [9.0]	26.1 [7.7]	22.5 [6.6]	37.6 [11.0]	32.5 [9.5]	28.4 [8.3]	38.6 [11.3]	36.7 [10.8]	32.4 [9.5]	
	Power	3.9	3.8	3.8	3.9	3.8	3.7	3.8	3.8	3.7	
115 [46.1]	Total BTUH [kW]	42.1 [12.3]	40.4 [11.8]	39.1 [11.5]	39.1 [11.5]	37.6 [11.0]	36.3 [10.6]	35.9 [10.5]	34.5 [10.1]	33.4 [9.8]	
	Sens BTUH [kW]	29.0 [8.5]	24.6 [7.2]	21.3 [6.3]	35.8 [10.5]	31.0 [9.1]	27.1 [8.0]	35.9 [10.5]	34.5 [10.1]	31.2 [9.2]	
	Power	4.1	4.1	4.0	4.1	4.0	4.0	4.1	4.0	3.9	

GROSS SYSTEMS COOLING PERFORMANCE DATA—RQRM-A060

ENTERING INDOOR AIR @ 80°F [26.7°C] dbE ①											
wbE		71°F [21.7°C]			67°F [19.4°C]			63°F [17.2°C]			
CFM [L/s]		1860 [878]	1900 [897]	1240 [585]	1860 [878]	1900 [897]	1240 [585]	1860 [878]	1900 [897]	1240 [585]	
DR ①		.15	.14	.23	.15	.14	.23	.15	.14	.23	
OUTDOOR DRY BULB TEMPERATURE °F [°C]	75 [23.9]	Total BTUH [kW]	69.0 [20.2]	69.2 [20.3]	64.9 [19.0]	65.3 [19.1]	65.6 [19.2]	61.5 [18.0]	62.0 [18.2]	62.2 [18.2]	58.3 [17.1]
		Sens BTUH [kW]	38.4 [11.3]	39.0 [11.4]	29.1 [8.5]	45.5 [13.3]	46.3 [13.6]	35.4 [10.4]	51.2 [15.0]	51.9 [15.2]	40.2 [11.8]
		Power	3.5	3.5	3.4	3.5	3.5	3.4	3.4	3.4	3.3
	80 [26.7]	Total BTUH [kW]	67.1 [19.7]	67.3 [19.7]	63.1 [18.5]	63.4 [18.6]	63.7 [18.7]	59.7 [17.5]	60.0 [17.6]	60.3 [17.7]	56.5 [16.6]
		Sens BTUH [kW]	37.6 [11.0]	38.2 [11.2]	28.5 [8.4]	44.7 [13.1]	45.4 [13.3]	34.7 [10.2]	50.3 [14.8]	51.1 [15.0]	39.6 [11.6]
		Power	3.7	3.7	3.6	3.6	3.7	3.5	3.6	3.6	3.5
	85 [29.4]	Total BTUH [kW]	65.0 [19.0]	65.3 [19.1]	61.2 [17.9]	61.4 [18.0]	61.6 [18.1]	57.8 [16.9]	58.0 [17.0]	58.2 [17.1]	54.6 [16.0]
		Sens BTUH [kW]	36.6 [10.7]	37.3 [10.9]	27.8 [8.2]	43.9 [12.9]	44.5 [13.1]	34.1 [10.0]	49.5 [14.5]	50.2 [14.7]	39.0 [11.4]
Power		3.9	3.9	3.8	3.8	3.8	3.7	3.8	3.8	3.7	
90 [32.2]	Total BTUH [kW]	62.9 [18.4]	63.2 [18.5]	59.2 [17.3]	59.3 [17.4]	59.5 [17.4]	55.8 [16.4]	55.9 [16.4]	56.1 [16.4]	52.6 [15.4]	
	Sens BTUH [kW]	35.8 [10.5]	36.5 [10.7]	27.2 [8.0]	43.0 [12.6]	43.6 [12.8]	33.4 [9.8]	48.6 [14.3]	49.3 [14.5]	38.4 [11.3]	
	Power	4.1	4.1	4.0	4.0	4.0	3.9	4.0	4.0	3.9	
95 [35]	Total BTUH [kW]	60.7 [17.8]	60.9 [17.8]	57.1 [16.7]	57.0 [16.7]	57.3 [16.8]	53.6 [15.7]	53.7 [15.7]	53.9 [15.8]	50.5 [14.8]	
	Sens BTUH [kW]	35.0 [10.3]	35.5 [10.4]	26.6 [7.8]	42.0 [12.3]	42.7 [12.5]	32.7 [9.6]	47.7 [14.0]	48.4 [14.2]	37.7 [11.1]	
	Power	4.3	4.3	4.2	4.3	4.3	4.1	4.2	4.2	4.1	
100 [37.8]	Total BTUH [kW]	58.3 [17.1]	58.6 [17.2]	54.9 [16.1]	54.7 [16.0]	54.9 [16.1]	51.4 [15.1]	51.3 [15.0]	51.5 [15.1]	48.3 [14.2]	
	Sens BTUH [kW]	34.0 [10.0]	34.6 [10.2]	25.9 [7.6]	41.2 [12.1]	41.8 [12.3]	32.1 [9.4]	46.7 [13.7]	47.4 [13.9]	37.0 [10.9]	
	Power	4.5	4.5	4.4	4.5	4.5	4.3	4.4	4.4	4.3	
105 [40.6]	Total BTUH [kW]	55.9 [16.4]	56.1 [16.4]	52.6 [15.4]	52.2 [15.3]	52.4 [15.4]	49.1 [14.4]	48.9 [14.3]	49.1 [14.4]	46.0 [13.5]	
	Sens BTUH [kW]	33.1 [9.7]	33.6 [9.9]	25.2 [7.4]	40.1 [11.8]	40.7 [11.9]	31.3 [9.2]	45.8 [13.4]	46.5 [13.6]	36.4 [10.7]	
	Power	4.8	4.8	4.6	4.7	4.7	4.6	4.7	4.7	4.5	
110 [43.3]	Total BTUH [kW]	53.3 [15.6]	53.5 [15.7]	50.1 [14.7]	49.7 [14.6]	49.9 [14.6]	46.7 [13.7]	46.3 [13.6]	46.5 [13.6]	43.5 [12.7]	
	Sens BTUH [kW]	32.0 [9.4]	32.5 [9.5]	24.4 [7.2]	39.2 [11.5]	39.8 [11.7]	30.7 [9.0]	44.9 [13.2]	45.5 [13.3]	35.6 [10.4]	
	Power	5.0	5.0	4.9	5.0	5.0	4.8	4.9	4.9	4.8	
115 [46.1]	Total BTUH [kW]	50.7 [14.9]	50.9 [14.9]	47.6 [14.0]	47.0 [13.8]	47.2 [13.8]	44.2 [13.0]	43.6 [12.8]	43.8 [12.8]	41.0 [12.0]	
	Sens BTUH [kW]	31.1 [9.1]	31.6 [9.3]	23.7 [7.0]	38.1 [11.2]	38.7 [11.4]	29.9 [8.8]	43.6 [12.8]	43.8 [12.8]	34.9 [10.2]	
	Power	5.3	5.3	5.1	5.2	5.2	5.1	5.2	5.2	5.0	

DR —Depression ratio
dbE —Entering air dry bulb
wbE —Entering air wet bulb

Total —Total capacity x 1000 BTUH
Sens —Sensible capacity x 1000 BTUH
Power —KW input

NOTES: ① When the entering air dry bulb is other than 80°F [27°C], adjust the sensible capacity from the table by adding [1.10 x CFM x (1 - DR) x (dbE - 80)].

[] Designates Metric Conversions





HEATING PERFORMANCE DATA—RQNM-A024

		IDB	60°F [15.5°C]			70°F [21.1°C]			80°F [26.7°C]		
			CFM [L/s]	960 [453]	800 [378]	640 [302]	960 [453]	800 [378]	640 [302]	960 [453]	800 [378]
OUTDOOR DRY BULB TEMPERATURE °F [°C]	0 [-17.8]	Total BTUH [kW]	8.1 [2.4]	8.0 [2.3]	7.9 [2.3]	7.2 [2.1]	7.1 [2.1]	7.0 [2.1]	6.2 [1.8]	6.1 [1.8]	6.1 [1.8]
		Power	1.2	1.3	1.3	1.4	1.5	1.5	1.6	1.6	1.7
	5 [-15]	Total BTUH [kW]	9.8 [2.9]	9.6 [2.8]	9.5 [2.8]	8.8 [2.6]	8.7 [2.5]	8.6 [2.5]	7.9 [2.3]	7.8 [2.3]	7.7 [2.3]
		Power	1.3	1.3	1.3	1.5	1.5	1.5	1.6	1.7	1.7
	10 [-12.2]	Total BTUH [kW]	11.4 [3.3]	11.3 [3.3]	11.1 [3.3]	10.5 [3.1]	10.3 [3.0]	10.2 [3.0]	9.6 [2.8]	9.4 [2.8]	9.3 [2.7]
		Power	1.3	1.3	1.4	1.5	1.5	1.6	1.7	1.7	1.8
	15 [-9.4]	Total BTUH [kW]	13.1 [3.8]	12.9 [3.8]	12.7 [3.7]	12.2 [3.6]	12.0 [3.5]	11.8 [3.5]	11.2 [3.3]	11.1 [3.3]	10.9 [3.2]
		Power	1.3	1.4	1.4	1.5	1.6	1.6	1.7	1.7	1.8
	20 [-6.7]	Total BTUH [kW]	14.8 [4.3]	14.5 [4.2]	14.3 [4.2]	13.8 [4.0]	13.6 [4.0]	13.4 [3.9]	12.9 [3.8]	12.7 [3.7]	12.5 [3.7]
		Power	1.4	1.4	1.4	1.6	1.6	1.6	1.7	1.8	1.8
	25 [-3.9]	Total BTUH [kW]	16.4 [4.8]	16.2 [4.7]	16.0 [4.7]	15.5 [4.5]	15.3 [4.5]	15.0 [4.4]	14.5 [4.2]	14.3 [4.2]	14.1 [4.1]
		Power	1.4	1.4	1.5	1.6	1.6	1.7	1.8	1.8	1.9
30 [-1.1]	Total BTUH [kW]	18.1 [5.3]	17.8 [5.2]	17.6 [5.2]	17.1 [5.0]	16.9 [5.0]	16.7 [4.9]	16.2 [4.7]	16.0 [4.7]	15.8 [4.6]	
	Power	1.4	1.5	1.5	1.6	1.7	1.7	1.8	1.8	1.9	
35 [1.7]	Total BTUH [kW]	19.7 [5.8]	19.5 [5.7]	19.2 [5.6]	18.8 [5.5]	18.5 [5.4]	18.3 [5.4]	17.9 [5.2]	17.6 [5.2]	17.4 [5.1]	
	Power	1.5	1.5	1.5	1.7	1.7	1.7	1.8	1.9	1.9	
40 [4.4]	Total BTUH [kW]	21.4 [6.3]	21.1 [6.2]	20.8 [6.1]	20.5 [6.0]	20.2 [5.9]	19.9 [5.8]	19.5 [5.7]	19.3 [5.7]	19.0 [5.6]	
	Power	1.5	1.5	1.6	1.7	1.7	1.8	1.9	1.9	2.0	
45 [7.2]	Total BTUH [kW]	23.1 [6.8]	22.7 [6.7]	22.4 [6.6]	22.1 [6.5]	21.8 [6.4]	21.5 [6.3]	21.2 [6.2]	20.9 [6.1]	20.6 [6.0]	
	Power	1.5	1.6	1.6	1.7	1.8	1.8	1.9	1.9	2.0	
50 [10]	Total BTUH [kW]	24.7 [7.2]	24.4 [7.2]	24.0 [7.0]	23.8 [7.0]	23.5 [6.9]	23.1 [6.8]	22.9 [6.7]	22.5 [6.6]	22.2 [6.5]	
	Power	1.6	1.6	1.6	1.8	1.8	1.8	1.9	2.0	2.0	

IDB —Indoor air dry bulb

HEATING PERFORMANCE DATA—RQNM-A030

		IDB	60°F [15.5°C]			70°F [21.1°C]			80°F [26.7°C]		
			CFM [L/s]	1200 [566]	1000 [472]	800 [378]	1200 [566]	1000 [472]	800 [378]	1200 [566]	1000 [472]
OUTDOOR DRY BULB TEMPERATURE °F [°C]	0 [-17.8]	Total BTUH [kW]	8.9 [2.6]	8.8 [2.6]	8.7 [2.5]	7.5 [2.2]	7.4 [2.2]	7.3 [2.1]	6.0 [1.8]	5.9 [1.7]	5.8 [1.7]
		Power	1.5	1.6	1.6	1.7	1.8	1.8	1.9	2.0	2.0
	5 [-15]	Total BTUH [kW]	11.1 [3.3]	11.0 [3.2]	10.8 [3.2]	9.7 [2.8]	9.5 [2.8]	9.4 [2.8]	8.2 [2.4]	8.1 [2.4]	8.0 [2.3]
		Power	1.6	1.6	1.7	1.8	1.8	1.9	2.0	2.0	2.1
	10 [-12.2]	Total BTUH [kW]	13.3 [3.9]	13.1 [3.8]	13.0 [3.8]	11.9 [3.5]	11.7 [3.4]	11.5 [3.4]	10.4 [3.0]	10.3 [3.0]	10.1 [3.0]
		Power	1.6	1.7	1.7	1.8	1.8	1.9	2.0	2.0	2.1
	15 [-9.4]	Total BTUH [kW]	15.5 [4.5]	15.3 [4.5]	15.1 [4.4]	14.1 [4.1]	13.9 [4.1]	13.7 [4.0]	12.6 [3.7]	12.4 [3.6]	12.2 [3.6]
		Power	1.6	1.7	1.7	1.8	1.9	1.9	2.0	2.1	2.1
	20 [-6.7]	Total BTUH [kW]	17.7 [5.2]	17.5 [5.1]	17.2 [5.0]	16.3 [4.8]	16.0 [4.7]	15.8 [4.6]	14.8 [4.3]	14.6 [4.3]	14.4 [4.2]
		Power	1.7	1.7	1.8	1.9	1.9	2.0	2.1	2.1	2.2
	25 [-3.9]	Total BTUH [kW]	19.9 [5.8]	19.6 [5.7]	19.4 [5.7]	18.5 [5.4]	18.2 [5.3]	17.9 [5.2]	17.0 [5.0]	16.8 [4.9]	16.5 [4.8]
		Power	1.7	1.8	1.8	1.9	2.0	2.0	2.1	2.2	2.2
30 [-1.1]	Total BTUH [kW]	22.1 [6.5]	21.8 [6.4]	21.5 [6.3]	20.7 [6.1]	20.4 [6.0]	20.1 [5.9]	19.2 [5.6]	18.9 [5.5]	18.7 [5.5]	
	Power	1.8	1.8	1.9	2.0	2.0	2.1	2.1	2.2	2.3	
35 [1.7]	Total BTUH [kW]	24.3 [7.1]	24.0 [7.0]	23.6 [6.9]	22.9 [6.7]	22.5 [6.6]	22.2 [6.5]	21.4 [6.3]	21.1 [6.2]	20.8 [6.1]	
	Power	1.8	1.8	1.9	2.0	2.0	2.1	2.2	2.2	2.3	
40 [4.4]	Total BTUH [kW]	26.5 [7.8]	26.1 [7.6]	25.8 [7.6]	25.0 [7.3]	24.7 [7.2]	24.3 [7.1]	23.6 [6.9]	23.2 [6.8]	22.9 [6.7]	
	Power	1.8	1.9	1.9	2.0	2.1	2.1	2.2	2.3	2.3	
45 [7.2]	Total BTUH [kW]	28.7 [8.4]	28.3 [8.3]	27.9 [8.2]	27.2 [8.0]	26.9 [7.9]	26.5 [7.8]	25.8 [7.6]	25.4 [7.4]	25.1 [7.4]	
	Power	1.9	1.9	2.0	2.1	2.1	2.2	2.3	2.3	2.4	
50 [10]	Total BTUH [kW]	30.9 [9.1]	30.5 [8.9]	30.0 [8.8]	29.4 [8.6]	29.0 [8.5]	28.6 [8.4]	28.0 [8.2]	27.6 [8.1]	27.2 [8.0]	
	Power	1.9	2.0	2.0	2.1	2.2	2.2	2.3	2.4	2.4	

IDB —Indoor air dry bulb

[] Designates Metric Conversions



**HEATING PERFORMANCE DATA—RQNM-A036**

		IDB CFM [L/s]	60°F [15.5°C]			70°F [21.1°C]			80°F [26.7°C]		
			1440 [680]	1200 [566]	960 [453]	1440 [680]	1200 [566]	960 [453]	1440 [680]	1200 [566]	960 [453]
OUTDOOR DRY BULB TEMPERATURE °F [°C]	0 [-17.8]	Total BTUH [kW] Power	10.8 [3.2] 1.8	10.7 [3.1] 1.8	10.5 [3.1] 1.8	9.4 [2.8] 2.0	9.3 [2.7] 2.1	9.2 [2.7] 2.1	8.0 [2.3] 2.3	7.9 [2.3] 2.3	7.8 [2.3] 2.4
	5 [-15]	Total BTUH [kW] Power	13.5 [4.0] 1.8	13.3 [3.9] 1.9	13.1 [3.8] 1.9	12.1 [3.5] 2.1	11.9 [3.5] 2.1	11.7 [3.4] 2.2	10.6 [3.1] 2.3	10.5 [3.1] 2.4	10.3 [3.0] 2.4
	10 [-12.2]	Total BTUH [kW] Power	16.1 [4.7] 1.9	15.9 [4.7] 1.9	15.6 [4.6] 2.0	14.7 [4.3] 2.1	14.5 [4.2] 2.2	14.3 [4.2] 2.2	13.3 [3.9] 2.4	13.1 [3.8] 2.4	12.9 [3.8] 2.5
	15 [-9.4]	Total BTUH [kW] Power	18.7 [5.5] 1.9	18.5 [5.4] 2.0	18.2 [5.3] 2.0	17.3 [5.1] 2.2	17.1 [5.0] 2.2	16.8 [4.9] 2.3	15.9 [4.7] 2.4	15.7 [4.6] 2.5	15.4 [4.5] 2.5
	20 [-6.7]	Total BTUH [kW] Power	21.4 [6.3] 2.0	21.0 [6.2] 2.0	20.7 [6.1] 2.1	19.9 [5.8] 2.2	19.7 [5.8] 2.3	19.4 [5.7] 2.3	18.5 [5.4] 2.5	18.3 [5.4] 2.5	18.0 [5.3] 2.6
	25 [-3.9]	Total BTUH [kW] Power	24.0 [7.0] 2.0	23.6 [6.9] 2.1	23.3 [6.8] 2.1	22.6 [6.6] 2.3	22.2 [6.5] 2.3	21.9 [6.4] 2.4	21.1 [6.2] 2.5	20.8 [6.1] 2.6	20.6 [6.0] 2.7
	30 [-1.1]	Total BTUH [kW] Power	26.6 [7.8] 2.1	26.2 [7.7] 2.1	25.9 [7.6] 2.2	25.2 [7.4] 2.3	24.8 [7.3] 2.4	24.5 [7.2] 2.4	23.8 [7.0] 2.6	23.4 [6.9] 2.6	23.1 [6.8] 2.7
	35 [1.7]	Total BTUH [kW] Power	29.2 [8.6] 2.1	28.8 [8.4] 2.2	28.4 [8.3] 2.2	27.8 [8.1] 2.4	27.4 [8.0] 2.4	27.0 [7.9] 2.5	26.4 [7.7] 2.6	26.0 [7.6] 2.7	25.7 [7.5] 2.8
	40 [4.4]	Total BTUH [kW] Power	31.9 [9.3] 2.2	31.4 [9.2] 2.2	31.0 [9.1] 2.3	30.4 [8.9] 2.4	30.0 [8.8] 2.5	29.6 [8.7] 2.5	29.0 [8.5] 2.7	28.6 [8.4] 2.7	28.2 [8.3] 2.8
	45 [7.2]	Total BTUH [kW] Power	34.5 [10.1] 2.2	34.0 [10.0] 2.3	33.5 [9.8] 2.3	33.1 [9.7] 2.5	32.6 [9.6] 2.5	32.1 [9.4] 2.6	31.6 [9.3] 2.7	31.2 [9.1] 2.8	30.8 [9.0] 2.9
50 [10]	Total BTUH [kW] Power	37.1 [10.9] 2.3	36.6 [10.7] 2.3	36.1 [10.6] 2.4	35.7 [10.5] 2.5	35.2 [10.3] 2.6	34.7 [10.2] 2.6	34.3 [10.1] 2.8	33.8 [9.9] 2.8	33.3 [9.8] 2.9	

IDB —Indoor air dry bulb

HEATING PERFORMANCE DATA—RQNM-A042

		IDB CFM [L/s]	60°F [15.5°C]			70°F [21.1°C]			80°F [26.7°C]		
			1740 [821]	1450 [684]	1160 [547]	1740 [821]	1450 [684]	1160 [547]	1740 [821]	1450 [684]	1160 [547]
OUTDOOR DRY BULB TEMPERATURE °F [°C]	0 [-17.8]	Total BTUH [kW] Power	13.7 [4.0] 2.2	13.5 [4.0] 2.3	13.3 [3.9] 2.4	12.5 [3.7] 2.5	12.3 [3.6] 2.6	12.1 [3.5] 2.7	11.2 [3.3] 2.9	11.1 [3.3] 2.9	10.9 [3.2] 3.0
	5 [-15]	Total BTUH [kW] Power	16.5 [4.8] 2.3	16.3 [4.8] 2.3	16.0 [4.7] 2.4	15.2 [4.5] 2.6	15.0 [4.4] 2.6	14.8 [4.3] 2.7	14.0 [4.1] 2.9	13.8 [4.0] 3.0	13.6 [4.0] 3.1
	10 [-12.2]	Total BTUH [kW] Power	19.2 [5.6] 2.3	19.0 [5.6] 2.4	18.7 [5.5] 2.5	18.0 [5.3] 2.6	17.7 [5.2] 2.7	17.5 [5.1] 2.8	16.7 [4.9] 3.0	16.5 [4.8] 3.0	16.3 [4.8] 3.1
	15 [-9.4]	Total BTUH [kW] Power	22.0 [6.4] 2.4	21.7 [6.4] 2.5	21.4 [6.3] 2.5	20.7 [6.1] 2.7	20.5 [6.0] 2.8	20.2 [5.9] 2.8	19.5 [5.7] 3.0	19.2 [5.6] 3.1	18.9 [5.5] 3.2
	20 [-6.7]	Total BTUH [kW] Power	24.8 [7.3] 2.4	24.4 [7.2] 2.5	24.1 [7.1] 2.6	23.5 [6.9] 2.7	23.2 [6.8] 2.8	22.8 [6.7] 2.9	22.3 [6.5] 3.1	21.9 [6.4] 3.2	21.6 [6.3] 3.2
	25 [-3.9]	Total BTUH [kW] Power	27.5 [8.1] 2.5	27.1 [7.9] 2.6	26.7 [7.8] 2.6	26.3 [7.7] 2.8	25.9 [7.6] 2.9	25.5 [7.5] 2.9	25.0 [7.3] 3.1	24.7 [7.2] 3.2	24.3 [7.1] 3.3
	30 [-1.1]	Total BTUH [kW] Power	30.3 [8.9] 2.5	29.8 [8.7] 2.6	29.4 [8.6] 2.7	29.0 [8.5] 2.8	28.6 [8.4] 2.9	28.2 [8.3] 3.0	27.8 [8.1] 3.2	27.4 [8.0] 3.3	27.0 [7.9] 3.3
	35 [1.7]	Total BTUH [kW] Power	33.0 [9.7] 2.6	32.6 [9.6] 2.7	32.1 [9.4] 2.7	31.8 [9.3] 2.9	31.3 [9.2] 3.0	30.9 [9.1] 3.0	30.5 [8.9] 3.2	30.1 [8.8] 3.3	29.7 [8.7] 3.4
	40 [4.4]	Total BTUH [kW] Power	35.8 [10.5] 2.7	35.3 [10.3] 2.7	34.8 [10.2] 2.8	34.5 [10.1] 2.9	34.1 [10.0] 3.0	33.6 [9.8] 3.1	33.3 [9.8] 3.3	32.8 [9.6] 3.4	32.4 [9.5] 3.4
	45 [7.2]	Total BTUH [kW] Power	38.6 [11.3] 2.7	38.0 [11.1] 2.8	37.5 [11.0] 2.8	37.3 [10.9] 3.0	36.8 [10.8] 3.1	36.2 [10.6] 3.1	36.0 [10.6] 3.3	35.5 [10.4] 3.4	35.0 [10.3] 3.5
50 [10]	Total BTUH [kW] Power	41.3 [12.1] 2.8	40.7 [11.9] 2.8	40.1 [11.8] 2.9	40.1 [11.8] 3.0	39.5 [11.6] 3.1	38.9 [11.4] 3.2	38.8 [11.4] 3.4	38.3 [11.2] 3.5	37.7 [11.0] 3.6	

IDB —Indoor air dry bulb

[] Designates Metric Conversions





HEATING PERFORMANCE DATA—RQNM-A048

		IDB		60°F [15.5°C]			70°F [21.1°C]			80°F [26.7°C]		
		CFM [L/s]		1860 [878]	1550 [732]	1240 [585]	1860 [878]	1550 [732]	1240 [585]	1860 [878]	1550 [732]	1240 [585]
OUTDOOR DRY BULB TEMPERATURE °F [°C]	0 [-17.8]	Total BTUH [kW] Power	12.1 [3.5] 2.1	12.0 [3.5] 2.1	11.8 [3.5] 2.2	10.7 [3.1] 2.4	10.6 [3.1] 2.5	10.4 [3.0] 2.5	9.3 [2.7] 2.8	9.1 [2.7] 2.8	9.0 [2.6] 2.9	
	5 [-15]	Total BTUH [kW] Power	15.4 [4.5] 2.1	15.2 [4.5] 2.2	15.0 [4.4] 2.2	14.0 [4.1] 2.5	13.8 [4.0] 2.5	13.6 [4.0] 2.6	12.6 [3.7] 2.8	12.4 [3.6] 2.9	12.2 [3.6] 3.0	
	10 [-12.2]	Total BTUH [kW] Power	18.7 [5.5] 2.2	18.4 [5.4] 2.2	18.2 [5.3] 2.3	17.3 [5.1] 2.5	17.0 [5.0] 2.6	16.8 [4.9] 2.7	15.8 [4.6] 2.9	15.6 [4.6] 3.0	15.4 [4.5] 3.0	
	15 [-9.4]	Total BTUH [kW] Power	22.0 [6.4] 2.2	21.7 [6.4] 2.3	21.4 [6.3] 2.4	20.6 [6.0] 2.6	20.3 [5.9] 2.7	20.0 [5.9] 2.7	19.1 [5.6] 3.0	18.9 [5.5] 3.0	18.6 [5.5] 3.1	
	20 [-6.7]	Total BTUH [kW] Power	25.3 [7.4] 2.3	24.9 [7.3] 2.4	24.6 [7.2] 2.4	23.9 [7.0] 2.7	23.5 [6.9] 2.7	23.2 [6.8] 2.8	22.4 [6.6] 3.0	22.1 [6.5] 3.1	21.8 [6.4] 3.2	
	25 [-3.9]	Total BTUH [kW] Power	28.6 [8.4] 2.4	28.2 [8.3] 2.4	27.8 [8.1] 2.5	27.1 [7.9] 2.7	26.8 [7.9] 2.8	26.4 [7.7] 2.9	25.7 [7.5] 3.1	25.3 [7.4] 3.2	25.0 [7.3] 3.2	
	30 [-1.1]	Total BTUH [kW] Power	31.9 [9.3] 2.4	31.4 [9.2] 2.5	31.0 [9.1] 2.6	30.4 [8.9] 2.8	30.0 [8.8] 2.9	29.6 [8.7] 2.9	29.0 [8.5] 3.1	28.6 [8.4] 3.2	28.2 [8.3] 3.3	
	35 [1.7]	Total BTUH [kW] Power	35.1 [10.3] 2.5	34.7 [10.2] 2.6	34.2 [10.0] 2.6	33.7 [9.9] 2.9	33.2 [9.7] 2.9	32.8 [9.6] 3.0	32.3 [9.5] 3.2	31.8 [9.3] 3.3	31.4 [9.2] 3.4	
	40 [4.4]	Total BTUH [kW] Power	38.4 [11.3] 2.6	37.9 [11.1] 2.6	37.4 [11.0] 2.7	37.0 [10.8] 2.9	36.5 [10.7] 3.0	36.0 [10.6] 3.1	35.6 [10.4] 3.3	35.1 [10.3] 3.4	34.6 [10.1] 3.4	
	45 [7.2]	Total BTUH [kW] Power	41.7 [12.2] 2.6	41.1 [12.0] 2.7	40.6 [11.9] 2.8	40.3 [11.8] 3.0	39.7 [11.6] 3.1	39.2 [11.5] 3.1	38.9 [11.4] 3.3	38.3 [11.2] 3.4	37.8 [11.1] 3.5	
50 [10]	Total BTUH [kW] Power	45.0 [13.2] 2.7	44.4 [13.0] 2.8	43.7 [12.8] 2.8	43.6 [12.8] 3.0	43.0 [12.6] 3.1	42.4 [12.4] 3.2	42.1 [12.3] 3.4	41.6 [12.2] 3.5	41.0 [12.0] 3.6		

IDB —Indoor air dry bulb

HEATING PERFORMANCE DATA—RQNM-A060

		IDB		60°F [15.5°C]			70°F [21.1°C]			80°F [26.7°C]		
		CFM [L/s]		2280 [1076]	1900 [897]	1520 [717]	2280 [1076]	1900 [897]	1520 [717]	2280 [1076]	1900 [897]	1520 [717]
OUTDOOR DRY BULB TEMPERATURE °F [°C]	0 [-17.8]	Total BTUH [kW] Power	23.4 [6.9] 2.9	23.0 [6.7] 3.0	22.7 [6.7] 3.0	22.0 [6.4] 3.4	21.6 [6.3] 3.4	21.3 [6.2] 3.5	20.5 [6.0] 3.9	20.2 [5.9] 4.0	20.0 [5.9] 4.1	
	5 [-15]	Total BTUH [kW] Power	27.3 [8.0] 3.0	26.9 [7.9] 3.0	26.5 [7.8] 3.1	25.9 [7.6] 3.4	25.5 [7.5] 3.5	25.2 [7.4] 3.6	24.5 [7.2] 3.9	24.1 [7.1] 4.0	23.8 [7.0] 4.1	
	10 [-12.2]	Total BTUH [kW] Power	31.2 [9.1] 3.0	30.8 [9.0] 3.1	30.3 [8.9] 3.2	29.8 [8.7] 3.5	29.4 [8.6] 3.6	29.0 [8.5] 3.7	28.4 [8.3] 4.0	28.0 [8.2] 4.1	27.6 [8.1] 4.2	
	15 [-9.4]	Total BTUH [kW] Power	35.2 [10.3] 3.1	34.7 [10.2] 3.2	34.2 [10.0] 3.3	33.7 [9.9] 3.6	33.3 [9.8] 3.7	32.8 [9.6] 3.8	32.3 [9.5] 4.1	31.9 [9.3] 4.2	31.4 [9.2] 4.3	
	20 [-6.7]	Total BTUH [kW] Power	39.1 [11.5] 3.2	38.5 [11.3] 3.3	38.0 [11.1] 3.4	37.7 [11.0] 3.7	37.1 [10.9] 3.8	36.6 [10.7] 3.9	36.3 [10.6] 4.2	35.7 [10.5] 4.3	35.2 [10.3] 4.4	
	25 [-3.9]	Total BTUH [kW] Power	43.0 [12.6] 3.3	42.4 [12.4] 3.4	41.8 [12.3] 3.4	41.6 [12.2] 3.8	41.0 [12.0] 3.9	40.4 [11.8] 4.0	40.2 [11.8] 4.3	39.6 [11.6] 4.4	39.1 [11.5] 4.5	
	30 [-1.1]	Total BTUH [kW] Power	47.0 [13.8] 3.4	46.3 [13.6] 3.4	45.6 [13.4] 3.5	45.5 [13.3] 3.8	44.9 [13.2] 3.9	44.2 [13.0] 4.0	44.1 [12.9] 4.3	43.5 [12.7] 4.5	42.9 [12.6] 4.6	
	35 [1.7]	Total BTUH [kW] Power	50.9 [14.9] 3.4	50.2 [14.7] 3.5	49.4 [14.5] 3.6	49.5 [14.5] 3.9	48.8 [14.3] 4.0	48.1 [14.1] 4.1	48.0 [14.1] 4.4	47.4 [13.9] 4.5	46.7 [13.7] 4.7	
	40 [4.4]	Total BTUH [kW] Power	54.8 [16.1] 3.5	54.0 [15.8] 3.6	53.3 [15.6] 3.7	53.4 [15.6] 4.0	52.6 [15.4] 4.1	51.9 [15.2] 4.2	52.0 [15.2] 4.5	51.2 [15.0] 4.6	50.5 [14.8] 4.7	
	45 [7.2]	Total BTUH [kW] Power	58.7 [17.2] 3.6	57.9 [17.0] 3.7	57.1 [16.7] 3.8	57.3 [16.8] 4.1	56.5 [16.6] 4.2	55.7 [16.3] 4.3	55.9 [16.4] 4.6	55.1 [16.1] 4.7	54.3 [15.9] 4.8	
50 [10]	Total BTUH [kW] Power	62.7 [18.4] 3.7	61.8 [18.1] 3.8	60.9 [17.8] 3.9	61.3 [18.0] 4.2	60.4 [17.7] 4.3	59.5 [17.4] 4.4	59.8 [17.5] 4.7	59.0 [17.3] 4.8	58.1 [17.0] 4.9		

IDB —Indoor air dry bulb

[] Designates Metric Conversions



**HEATING PERFORMANCE DATA—RQPM-A024**

IDB		60°F [15.5°C]			70°F [21.1°C]			80°F [26.7°C]			
		CFM [L/s]	960 [453]	800 [378]	640 [302]	960 [453]	800 [378]	640 [302]	960 [453]	800 [378]	640 [302]
OUTDOOR DRY BULB TEMPERATURE °F [°C]	0 [-17.8]	Total BTUH [kW] Power	8.3 [2.4] 1.4	8.2 [2.4] 1.4	8.1 [2.4] 1.5	7.4 [2.2] 1.5	7.3 [2.1] 1.6	7.2 [2.1] 1.6	6.4 [1.9] 1.8	6.3 [1.8] 1.8	6.2 [1.8] 1.9
	5 [-15]	Total BTUH [kW] Power	10.0 [2.9] 1.4	9.9 [2.9] 1.5	9.7 [2.8] 1.5	9.1 [2.7] 1.5	8.9 [2.6] 1.6	8.8 [2.6] 1.6	8.1 [2.4] 1.8	8.0 [2.3] 1.8	7.9 [2.3] 1.9
	10 [-12.2]	Total BTUH [kW] Power	11.7 [3.4] 1.4	11.5 [3.4] 1.5	11.4 [3.3] 1.5	10.7 [3.1] 1.6	10.6 [3.1] 1.6	10.4 [3.0] 1.7	9.8 [2.9] 1.8	9.6 [2.8] 1.9	9.5 [2.8] 1.9
	15 [-9.4]	Total BTUH [kW] Power	13.4 [3.9] 1.5	13.2 [3.9] 1.5	13.0 [3.8] 1.5	12.4 [3.6] 1.6	12.2 [3.6] 1.6	12.1 [3.5] 1.7	11.4 [3.3] 1.9	11.3 [3.3] 1.9	11.1 [3.3] 1.9
	20 [-6.7]	Total BTUH [kW] Power	15.0 [4.4] 1.5	14.8 [4.3] 1.5	14.6 [4.3] 1.6	14.1 [4.1] 1.6	13.9 [4.1] 1.7	13.7 [4.0] 1.7	13.1 [3.8] 1.9	12.9 [3.8] 1.9	12.7 [3.7] 2.0
	25 [-3.9]	Total BTUH [kW] Power	16.7 [4.9] 1.5	16.5 [4.8] 1.6	16.2 [4.7] 1.6	15.8 [4.6] 1.7	15.5 [4.5] 1.7	15.3 [4.5] 1.7	14.8 [4.3] 1.9	14.6 [4.3] 2.0	14.4 [4.2] 2.0
	30 [-1.1]	Total BTUH [kW] Power	18.4 [5.4] 1.6	18.1 [5.3] 1.6	17.9 [5.2] 1.6	17.4 [5.1] 1.7	17.2 [5.0] 1.7	16.9 [5.0] 1.8	16.5 [4.8] 1.9	16.2 [4.7] 2.0	16.0 [4.7] 2.0
	35 [1.7]	Total BTUH [kW] Power	20.1 [5.9] 1.6	19.8 [5.8] 1.6	19.5 [5.7] 1.7	19.1 [5.6] 1.7	18.8 [5.5] 1.8	18.6 [5.5] 1.8	18.1 [5.3] 2.0	17.9 [5.2] 2.0	17.6 [5.2] 2.1
	40 [4.4]	Total BTUH [kW] Power	21.7 [6.4] 1.6	21.4 [6.3] 1.7	21.1 [6.2] 1.7	20.8 [6.1] 1.7	20.5 [6.0] 1.8	20.2 [5.9] 1.8	19.8 [5.8] 2.0	19.5 [5.7] 2.0	19.3 [5.7] 2.1
	45 [7.2]	Total BTUH [kW] Power	23.4 [6.9] 1.6	23.1 [6.8] 1.7	22.7 [6.7] 1.7	22.4 [6.6] 1.8	22.1 [6.5] 1.8	21.8 [6.4] 1.9	21.5 [6.3] 2.0	21.2 [6.2] 2.1	20.9 [6.1] 2.1
50 [10]	Total BTUH [kW] Power	25.1 [7.4] 1.7	24.7 [7.2] 1.7	24.4 [7.2] 1.8	24.1 [7.1] 1.8	23.8 [7.0] 1.8	23.4 [6.9] 1.9	23.2 [6.8] 2.0	22.8 [6.7] 2.1	22.5 [6.6] 2.2	

IDB —Indoor air dry bulb

HEATING PERFORMANCE DATA—RQPM-A030

IDB		60°F [15.5°C]			70°F [21.1°C]			80°F [26.7°C]			
		CFM [L/s]	1200 [566]	1000 [472]	800 [378]	1200 [566]	1000 [472]	800 [378]	1200 [566]	1000 [472]	800 [378]
OUTDOOR DRY BULB TEMPERATURE °F [°C]	0 [-17.8]	Total BTUH [kW] Power	9.0 [2.6] 1.6	8.9 [2.6] 1.6	8.8 [2.6] 1.7	7.6 [2.2] 1.7	7.5 [2.2] 1.8	7.4 [2.2] 1.8	6.3 [1.8] 2.0	6.2 [1.8] 2.0	6.1 [1.8] 2.1
	5 [-15]	Total BTUH [kW] Power	11.2 [3.3] 1.6	11.0 [3.2] 1.6	10.8 [3.2] 1.7	9.8 [2.9] 1.8	9.7 [2.8] 1.8	9.5 [2.8] 1.9	8.4 [2.5] 2.0	8.3 [2.4] 2.1	8.2 [2.4] 2.1
	10 [-12.2]	Total BTUH [kW] Power	13.3 [3.9] 1.6	13.1 [3.8] 1.7	12.9 [3.8] 1.7	11.9 [3.5] 1.8	11.8 [3.5] 1.9	11.6 [3.4] 1.9	10.6 [3.1] 2.1	10.4 [3.0] 2.1	10.3 [3.0] 2.2
	15 [-9.4]	Total BTUH [kW] Power	15.5 [4.5] 1.7	15.3 [4.5] 1.7	15.0 [4.4] 1.8	14.1 [4.1] 1.8	13.9 [4.1] 1.9	13.7 [4.0] 1.9	12.7 [3.7] 2.1	12.6 [3.7] 2.1	12.4 [3.6] 2.2
	20 [-6.7]	Total BTUH [kW] Power	17.6 [5.2] 1.7	17.4 [5.1] 1.8	17.1 [5.0] 1.8	16.3 [4.8] 1.9	16.0 [4.7] 1.9	15.8 [4.6] 2.0	14.9 [4.4] 2.1	14.7 [4.3] 2.2	14.5 [4.2] 2.2
	25 [-3.9]	Total BTUH [kW] Power	19.8 [5.8] 1.7	19.5 [5.7] 1.8	19.2 [5.6] 1.8	18.4 [5.4] 1.9	18.2 [5.3] 2.0	17.9 [5.2] 2.0	17.0 [5.0] 2.2	16.8 [4.9] 2.2	16.6 [4.9] 2.3
	30 [-1.1]	Total BTUH [kW] Power	22.0 [6.4] 1.8	21.6 [6.3] 1.8	21.3 [6.2] 1.9	20.6 [6.0] 2.0	20.3 [5.9] 2.0	20.0 [5.9] 2.1	19.2 [5.6] 2.2	18.9 [5.5] 2.2	18.7 [5.5] 2.3
	35 [1.7]	Total BTUH [kW] Power	24.1 [7.1] 1.8	23.8 [7.0] 1.9	23.4 [6.9] 1.9	22.7 [6.7] 2.0	22.4 [6.6] 2.0	22.1 [6.5] 2.1	21.4 [6.3] 2.2	21.1 [6.2] 2.3	20.8 [6.1] 2.3
	40 [4.4]	Total BTUH [kW] Power	26.3 [7.7] 1.9	25.9 [7.6] 1.9	25.5 [7.5] 1.9	24.9 [7.3] 2.0	24.5 [7.2] 2.1	24.2 [7.1] 2.1	23.5 [6.9] 2.3	23.2 [6.8] 2.3	22.9 [6.7] 2.4
	45 [7.2]	Total BTUH [kW] Power	28.4 [8.3] 1.9	28.0 [8.2] 1.9	27.6 [8.1] 2.0	27.1 [7.9] 2.1	26.7 [7.8] 2.1	26.3 [7.7] 2.2	25.7 [7.5] 2.3	25.3 [7.4] 2.4	25.0 [7.3] 2.4
50 [10]	Total BTUH [kW] Power	30.6 [9.0] 1.9	30.2 [8.9] 2.0	29.7 [8.7] 2.0	29.2 [8.6] 2.1	28.8 [8.4] 2.1	28.4 [8.3] 2.2	27.8 [8.1] 2.3	27.4 [8.0] 2.4	27.1 [7.9] 2.4	

IDB —Indoor air dry bulb

[] Designates Metric Conversions



HEATING PERFORMANCE DATA—RQPM-A036

IDB			60°F [15.5°C]			70°F [21.1°C]			80°F [26.7°C]		
CFM [L/s]			1440 [680]	1200 [566]	960 [453]	1440 [680]	1200 [566]	960 [453]	1440 [680]	1200 [566]	960 [453]
OUTDOOR DRY BULB TEMPERATURE °F [°C]	0 [-17.8]	Total BTUH [kW]	11.0 [3.2]	10.9 [3.2]	10.7 [3.1]	9.8 [2.9]	9.6 [2.8]	9.5 [2.8]	8.6 [2.5]	8.4 [2.5]	8.3 [2.4]
		Power	1.7	1.8	1.8	2.0	2.1	2.1	2.3	2.3	2.4
	5 [-15]	Total BTUH [kW]	13.6 [4.0]	13.4 [3.9]	13.2 [3.9]	12.4 [3.6]	12.2 [3.6]	12.0 [3.5]	11.1 [3.3]	11.0 [3.2]	10.8 [3.2]
		Power	1.8	1.8	1.9	2.1	2.1	2.2	2.3	2.4	2.4
	10 [-12.2]	Total BTUH [kW]	16.2 [4.7]	15.9 [4.7]	15.7 [4.6]	14.9 [4.4]	14.7 [4.3]	14.5 [4.2]	13.7 [4.0]	13.5 [4.0]	13.3 [3.9]
		Power	1.8	1.9	1.9	2.1	2.2	2.2	2.4	2.4	2.5
	15 [-9.4]	Total BTUH [kW]	18.8 [5.5]	18.5 [5.4]	18.2 [5.3]	17.5 [5.1]	17.3 [5.1]	17.0 [5.0]	16.3 [4.8]	16.1 [4.7]	15.9 [4.7]
		Power	1.9	1.9	2.0	2.2	2.2	2.3	2.4	2.5	2.6
	20 [-6.7]	Total BTUH [kW]	21.3 [6.2]	21.0 [6.2]	20.7 [6.1]	20.1 [5.9]	19.8 [5.8]	19.5 [5.7]	18.9 [5.5]	18.6 [5.5]	18.4 [5.4]
		Power	1.9	2.0	2.0	2.2	2.3	2.4	2.5	2.6	2.6
25 [-3.9]	Total BTUH [kW]	23.9 [7.0]	23.6 [6.9]	23.2 [6.8]	22.7 [6.7]	22.4 [6.6]	22.1 [6.5]	21.5 [6.3]	21.2 [6.2]	20.9 [6.1]	
	Power	2.0	2.0	2.1	2.3	2.3	2.4	2.5	2.6	2.7	
30 [-1.1]	Total BTUH [kW]	26.5 [7.8]	26.1 [7.6]	25.7 [7.5]	25.3 [7.4]	24.9 [7.3]	24.6 [7.2]	24.1 [7.1]	23.7 [6.9]	23.4 [6.9]	
	Power	2.1	2.1	2.2	2.3	2.4	2.5	2.6	2.7	2.7	
35 [1.7]	Total BTUH [kW]	29.1 [8.5]	28.7 [8.4]	28.3 [8.3]	27.9 [8.2]	27.5 [8.1]	27.1 [7.9]	26.6 [7.8]	26.3 [7.7]	25.9 [7.6]	
	Power	2.1	2.2	2.2	2.4	2.5	2.5	2.7	2.7	2.8	
40 [4.4]	Total BTUH [kW]	31.7 [9.3]	31.2 [9.1]	30.8 [9.0]	30.4 [8.9]	30.0 [8.8]	29.6 [8.7]	29.2 [8.6]	28.8 [8.4]	28.4 [8.3]	
	Power	2.2	2.2	2.3	2.5	2.5	2.6	2.7	2.8	2.8	
45 [7.2]	Total BTUH [kW]	34.2 [10.0]	33.8 [9.9]	33.3 [9.8]	33.0 [9.7]	32.6 [9.6]	32.1 [9.4]	31.8 [9.3]	31.3 [9.2]	30.9 [9.1]	
	Power	2.2	2.3	2.3	2.5	2.6	2.6	2.8	2.8	2.9	
50 [10]	Total BTUH [kW]	36.8 [10.8]	36.3 [10.6]	35.8 [10.5]	35.6 [10.4]	35.1 [10.3]	34.6 [10.1]	34.4 [10.1]	33.9 [9.9]	33.4 [9.8]	
	Power	2.3	2.3	2.4	2.6	2.6	2.7	2.8	2.9	3.0	

IDB —Indoor air dry bulb

HEATING PERFORMANCE DATA—RQPM-A037

IDB			60°F [15.5°C]			70°F [21.1°C]			80°F [26.7°C]		
CFM [L/s]			1440 [680]	1250 [590]	960 [453]	1440 [680]	1250 [590]	960 [453]	1440 [680]	1250 [590]	960 [453]
OUTDOOR DRY BULB TEMPERATURE °F [°C]	0 [-17.8]	Total BTUH [kW]	10.4 [3.0]	10.3 [3.0]	10.1 [3.0]	9.3 [2.7]	9.2 [2.7]	9.0 [2.6]	8.1 [2.4]	8.1 [2.4]	7.9 [2.3]
		Power	1.8	1.8	1.9	2.0	2.1	2.1	2.2	2.3	2.4
	5 [-15]	Total BTUH [kW]	12.9 [3.8]	12.8 [3.8]	12.5 [3.7]	11.8 [3.5]	11.6 [3.4]	11.5 [3.4]	10.7 [3.1]	10.5 [3.1]	10.4 [3.0]
		Power	1.8	1.9	1.9	2.1	2.1	2.2	2.3	2.3	2.4
	10 [-12.2]	Total BTUH [kW]	15.4 [4.5]	15.2 [4.5]	15.0 [4.4]	14.3 [4.2]	14.1 [4.1]	13.9 [4.1]	13.2 [3.9]	13.0 [3.8]	12.8 [3.8]
		Power	1.9	1.9	2.0	2.1	2.2	2.2	2.3	2.4	2.5
	15 [-9.4]	Total BTUH [kW]	17.9 [5.2]	17.7 [5.2]	17.4 [5.1]	16.8 [4.9]	16.6 [4.9]	16.3 [4.8]	15.7 [4.6]	15.5 [4.5]	15.3 [4.5]
		Power	1.9	2.0	2.0	2.2	2.2	2.3	2.4	2.4	2.5
	20 [-6.7]	Total BTUH [kW]	20.4 [6.0]	20.2 [5.9]	19.9 [5.8]	19.3 [5.7]	19.1 [5.6]	18.8 [5.5]	18.2 [5.3]	18.0 [5.3]	17.7 [5.2]
		Power	2.0	2.0	2.1	2.2	2.3	2.3	2.4	2.5	2.5
25 [-3.9]	Total BTUH [kW]	22.9 [6.7]	22.7 [6.7]	22.3 [6.5]	21.8 [6.4]	21.6 [6.3]	21.2 [6.2]	20.7 [6.1]	20.5 [6.0]	20.1 [5.9]	
	Power	2.0	2.0	2.1	2.3	2.3	2.4	2.5	2.5	2.6	
30 [-1.1]	Total BTUH [kW]	25.5 [7.5]	25.2 [7.4]	24.8 [7.3]	24.3 [7.1]	24.1 [7.1]	23.7 [6.9]	23.2 [6.8]	23.0 [6.7]	22.6 [6.6]	
	Power	2.1	2.1	2.2	2.3	2.3	2.4	2.5	2.6	2.6	
35 [1.7]	Total BTUH [kW]	28.0 [8.2]	27.7 [8.1]	27.2 [8.0]	26.8 [7.9]	26.6 [7.8]	26.1 [7.6]	25.7 [7.5]	25.4 [7.4]	25.0 [7.3]	
	Power	2.1	2.1	2.2	2.3	2.4	2.5	2.6	2.6	2.7	
40 [4.4]	Total BTUH [kW]	30.5 [8.9]	30.1 [8.8]	29.6 [8.7]	29.4 [8.6]	29.0 [8.5]	28.6 [8.4]	28.2 [8.3]	27.9 [8.2]	27.5 [8.1]	
	Power	2.1	2.2	2.3	2.4	2.4	2.5	2.6	2.7	2.7	
45 [7.2]	Total BTUH [kW]	33.0 [9.7]	32.6 [9.6]	32.1 [9.4]	31.9 [9.3]	31.5 [9.2]	31.0 [9.1]	30.7 [9.0]	30.4 [8.9]	29.9 [8.8]	
	Power	2.2	2.2	2.3	2.4	2.5	2.6	2.7	2.7	2.8	
50 [10]	Total BTUH [kW]	35.5 [10.4]	35.1 [10.3]	34.5 [10.1]	34.4 [10.1]	34.0 [10.0]	33.4 [9.8]	33.3 [9.8]	32.9 [9.6]	32.4 [9.5]	
	Power	2.2	2.3	2.3	2.5	2.5	2.6	2.7	2.8	2.8	

IDB —Indoor air dry bulb

[] Designates Metric Conversions





HEATING PERFORMANCE DATA—RQPM-A042

IDB		60°F [15.5°C]			70°F [21.1°C]			80°F [26.7°C]			
		CFM [L/s]	1740 [821]	1450 [684]	1160 [547]	1740 [821]	1450 [684]	1160 [547]	1740 [821]	1450 [684]	1160 [547]
OUTDOOR DRY BULB TEMPERATURE °F [°C]	0 [-17.8]	Total BTUH [kW] Power	13.3 [3.9] 2.2	13.1 [3.8] 2.2	12.9 [3.8] 2.3	12.0 [3.5] 2.5	11.9 [3.5] 2.5	11.7 [3.4] 2.6	10.8 [3.2] 2.8	10.6 [3.1] 2.9	10.5 [3.1] 3.0
	5 [-15]	Total BTUH [kW] Power	16.1 [4.7] 2.2	15.8 [4.6] 2.3	15.6 [4.6] 2.4	14.8 [4.3] 2.5	14.6 [4.3] 2.6	14.4 [4.2] 2.7	13.5 [4.0] 2.9	13.4 [3.9] 2.9	13.2 [3.9] 3.0
	10 [-12.2]	Total BTUH [kW] Power	18.9 [5.5] 2.3	18.6 [5.5] 2.4	18.3 [5.4] 2.4	17.6 [5.2] 2.6	17.3 [5.1] 2.7	17.1 [5.0] 2.7	16.3 [4.8] 2.9	16.1 [4.7] 3.0	15.9 [4.7] 3.1
	15 [-9.4]	Total BTUH [kW] Power	21.6 [6.3] 2.4	21.3 [6.2] 2.4	21.0 [6.2] 2.5	20.4 [6.0] 2.6	20.1 [5.9] 2.7	19.8 [5.8] 2.8	19.1 [5.6] 3.0	18.8 [5.5] 3.1	18.6 [5.5] 3.1
	20 [-6.7]	Total BTUH [kW] Power	24.4 [7.2] 2.4	24.1 [7.1] 2.5	23.7 [6.9] 2.5	23.2 [6.8] 2.7	22.8 [6.7] 2.8	22.5 [6.6] 2.8	21.9 [6.4] 3.0	21.6 [6.3] 3.1	21.3 [6.2] 3.2
	25 [-3.9]	Total BTUH [kW] Power	27.2 [8.0] 2.5	26.8 [7.9] 2.5	26.5 [7.8] 2.6	26.0 [7.6] 2.8	25.6 [7.5] 2.8	25.2 [7.4] 2.9	24.7 [7.2] 3.1	24.3 [7.1] 3.2	24.0 [7.0] 3.2
	30 [-1.1]	Total BTUH [kW] Power	30.0 [8.8] 2.5	29.6 [8.7] 2.6	29.2 [8.6] 2.6	28.7 [8.4] 2.8	28.3 [8.3] 2.9	27.9 [8.2] 3.0	27.5 [8.1] 3.1	27.1 [7.9] 3.2	26.7 [7.8] 3.3
	35 [1.7]	Total BTUH [kW] Power	32.8 [9.6] 2.6	32.3 [9.5] 2.6	31.9 [9.3] 2.7	31.5 [9.2] 2.9	31.1 [9.1] 2.9	30.6 [9.0] 3.0	30.3 [8.9] 3.2	29.8 [8.7] 3.3	29.4 [8.6] 3.4
	40 [4.4]	Total BTUH [kW] Power	35.6 [10.4] 2.6	35.1 [10.3] 2.7	34.6 [10.1] 2.8	34.3 [10.1] 2.9	33.8 [9.9] 3.0	33.4 [9.8] 3.1	33.1 [9.7] 3.3	32.6 [9.6] 3.3	32.1 [9.4] 3.4
	45 [7.2]	Total BTUH [kW] Power	38.4 [11.3] 2.7	37.8 [11.1] 2.8	37.3 [10.9] 2.8	37.1 [10.9] 3.0	36.6 [10.7] 3.1	36.1 [10.6] 3.1	35.8 [10.5] 3.3	35.3 [10.3] 3.4	34.8 [10.2] 3.5
50 [10]	Total BTUH [kW] Power	41.2 [12.1] 2.7	40.6 [11.9] 2.8	40.0 [11.7] 2.9	39.9 [11.7] 3.0	39.3 [11.5] 3.1	38.8 [11.4] 3.2	38.6 [11.3] 3.4	38.1 [11.2] 3.4	37.5 [11.0] 3.5	

IDB —Indoor air dry bulb

HEATING PERFORMANCE DATA—RQPM-A043

IDB		60°F [15.5°C]			70°F [21.1°C]			80°F [26.7°C]			
		CFM [L/s]	1740 [821]	1425 [673]	1160 [547]	1740 [821]	1425 [673]	1160 [547]	1740 [821]	1425 [673]	1160 [547]
OUTDOOR DRY BULB TEMPERATURE °F [°C]	0 [-17.8]	Total BTUH [kW] Power	12.4 [3.6] 2.3	12.2 [3.6] 2.3	12.1 [3.5] 2.4	11.3 [3.3] 2.5	11.1 [3.3] 2.6	11.0 [3.2] 2.7	10.2 [3.0] 2.9	10.0 [2.9] 3.0	9.9 [2.9] 3.0
	5 [-15]	Total BTUH [kW] Power	15.5 [4.5] 2.3	15.2 [4.5] 2.4	15.0 [4.4] 2.4	14.3 [4.2] 2.6	14.1 [4.1] 2.7	13.9 [4.1] 2.7	13.2 [3.9] 2.9	13.0 [3.8] 3.0	12.8 [3.8] 3.1
	10 [-12.2]	Total BTUH [kW] Power	18.5 [5.4] 2.4	18.2 [5.3] 2.4	18.0 [5.3] 2.5	17.4 [5.1] 2.6	17.1 [5.0] 2.7	16.9 [5.0] 2.8	16.2 [4.7] 3.0	16.0 [4.7] 3.1	15.8 [4.6] 3.1
	15 [-9.4]	Total BTUH [kW] Power	21.5 [6.3] 2.4	21.2 [6.2] 2.5	20.9 [6.1] 2.5	20.4 [6.0] 2.7	20.1 [5.9] 2.8	19.8 [5.8] 2.8	19.3 [5.7] 3.0	19.0 [5.6] 3.1	18.7 [5.5] 3.2
	20 [-6.7]	Total BTUH [kW] Power	24.6 [7.2] 2.5	24.2 [7.1] 2.5	23.9 [7.0] 2.6	23.4 [6.9] 2.7	23.1 [6.8] 2.8	22.8 [6.7] 2.9	22.3 [6.5] 3.1	22.0 [6.4] 3.2	21.7 [6.4] 3.3
	25 [-3.9]	Total BTUH [kW] Power	27.6 [8.1] 2.5	27.2 [8.0] 2.6	26.8 [7.9] 2.6	26.5 [7.8] 2.8	26.1 [7.6] 2.9	25.7 [7.5] 2.9	25.3 [7.4] 3.1	24.9 [7.3] 3.2	24.6 [7.2] 3.3
	30 [-1.1]	Total BTUH [kW] Power	30.6 [9.0] 2.6	30.2 [8.9] 2.6	29.8 [8.7] 2.7	29.5 [8.6] 2.9	29.0 [8.5] 2.9	28.7 [8.4] 3.0	28.4 [8.3] 3.2	27.9 [8.2] 3.3	27.6 [8.1] 3.4
	35 [1.7]	Total BTUH [kW] Power	33.7 [9.9] 2.6	33.1 [9.7] 2.7	32.7 [9.6] 2.8	32.5 [9.5] 2.9	32.0 [9.4] 3.0	31.6 [9.3] 3.1	31.4 [9.2] 3.2	30.9 [9.1] 3.3	30.5 [8.9] 3.4
	40 [4.4]	Total BTUH [kW] Power	36.7 [10.8] 2.7	36.1 [10.6] 2.7	35.6 [10.4] 2.8	35.6 [10.4] 3.0	35.0 [10.3] 3.0	34.5 [10.1] 3.1	34.4 [10.1] 3.3	33.9 [9.9] 3.4	33.4 [9.8] 3.5
	45 [7.2]	Total BTUH [kW] Power	39.7 [11.6] 2.7	39.1 [11.5] 2.8	38.6 [11.3] 2.9	38.6 [11.3] 3.0	38.0 [11.1] 3.1	37.5 [11.0] 3.2	37.5 [11.0] 3.4	36.9 [10.8] 3.4	36.4 [10.7] 3.5
50 [10]	Total BTUH [kW] Power	42.8 [12.5] 2.8	42.1 [12.3] 2.9	41.5 [12.2] 2.9	41.6 [12.2] 3.1	41.0 [12.0] 3.1	40.4 [11.8] 3.2	40.5 [11.9] 3.4	39.9 [11.7] 3.5	39.3 [11.5] 3.6	

IDB —Indoor air dry bulb

[] Designates Metric Conversions





HEATING PERFORMANCE DATA—RQPM-A048

IDB		60°F [15.5°C]			70°F [21.1°C]			80°F [26.7°C]			
		CFM [L/s]	1860 [878]	1550 [732]	1240 [585]	1860 [878]	1550 [732]	1240 [585]	1860 [878]	1550 [732]	1240 [585]
OUTDOOR DRY BULB TEMPERATURE °F [°C]	0 [-17.8]	Total BTUH [kW] Power	11.9 [3.5] 2.1	11.7 [3.4] 2.2	11.5 [3.4] 2.2	10.5 [3.1] 2.4	10.4 [3.0] 2.5	10.2 [3.0] 2.6	9.1 [2.7] 2.8	9.0 [2.6] 2.9	8.9 [2.6] 2.9
	5 [-15]	Total BTUH [kW] Power	15.2 [4.5] 2.2	15.0 [4.4] 2.2	14.7 [4.3] 2.3	13.8 [4.0] 2.5	13.6 [4.0] 2.6	13.4 [3.9] 2.6	12.5 [3.7] 2.9	12.3 [3.6] 2.9	12.1 [3.5] 3.0
	10 [-12.2]	Total BTUH [kW] Power	18.5 [5.4] 2.2	18.2 [5.3] 2.3	18.0 [5.3] 2.3	17.1 [5.0] 2.6	16.9 [5.0] 2.6	16.6 [4.9] 2.7	15.8 [4.6] 2.9	15.5 [4.5] 3.0	15.3 [4.5] 3.1
	15 [-9.4]	Total BTUH [kW] Power	21.8 [6.4] 2.3	21.5 [6.3] 2.3	21.2 [6.2] 2.4	20.4 [6.0] 2.6	20.1 [5.9] 2.7	19.9 [5.8] 2.7	19.1 [5.6] 3.0	18.8 [5.5] 3.1	18.5 [5.4] 3.1
	20 [-6.7]	Total BTUH [kW] Power	25.1 [7.4] 2.3	24.7 [7.2] 2.4	24.4 [7.2] 2.5	23.7 [6.9] 2.7	23.4 [6.9] 2.7	23.1 [6.8] 2.8	22.4 [6.6] 3.0	22.1 [6.5] 3.1	21.8 [6.4] 3.2
	25 [-3.9]	Total BTUH [kW] Power	28.4 [8.3] 2.4	28.0 [8.2] 2.5	27.6 [8.1] 2.5	27.1 [7.9] 2.7	26.7 [7.8] 2.8	26.3 [7.7] 2.9	25.7 [7.5] 3.1	25.3 [7.4] 3.2	25.0 [7.3] 3.3
	30 [-1.1]	Total BTUH [kW] Power	31.7 [9.3] 2.5	31.3 [9.2] 2.5	30.8 [9.0] 2.6	30.4 [8.9] 2.8	29.9 [8.8] 2.9	29.5 [8.6] 2.9	29.0 [8.5] 3.2	28.6 [8.4] 3.2	28.2 [8.3] 3.3
	35 [1.7]	Total BTUH [kW] Power	35.0 [10.3] 2.5	34.5 [10.1] 2.6	34.0 [10.0] 2.7	33.7 [9.9] 2.9	33.2 [9.7] 2.9	32.7 [9.6] 3.0	32.3 [9.5] 3.2	31.9 [9.3] 3.3	31.4 [9.2] 3.4
	40 [4.4]	Total BTUH [kW] Power	38.3 [11.2] 2.6	37.8 [11.1] 2.7	37.3 [10.9] 2.7	37.0 [10.8] 2.9	36.5 [10.7] 3.0	36.0 [10.6] 3.1	35.6 [10.4] 3.3	35.1 [10.3] 3.4	34.6 [10.1] 3.5
	45 [7.2]	Total BTUH [kW] Power	41.7 [12.2] 2.6	41.1 [12.0] 2.7	40.5 [11.9] 2.8	40.3 [11.8] 3.0	39.7 [11.6] 3.1	39.2 [11.5] 3.1	39.0 [11.4] 3.3	38.4 [11.3] 3.4	37.9 [11.1] 3.5
50 [10]	Total BTUH [kW] Power	45.0 [13.2] 2.7	44.3 [13.0] 2.8	43.7 [12.8] 2.8	43.6 [12.8] 3.0	43.0 [12.6] 3.1	42.4 [12.4] 3.2	42.3 [12.4] 3.4	41.7 [12.2] 3.5	41.1 [12.0] 3.6	

IDB —Indoor air dry bulb

HEATING PERFORMANCE DATA—RQPM-A049

IDB		60°F [15.5°C]			70°F [21.1°C]			80°F [26.7°C]			
		CFM [L/s]	1860 [878]	1525 [720]	1240 [585]	1860 [878]	1525 [720]	1240 [585]	1860 [878]	1525 [720]	1240 [585]
OUTDOOR DRY BULB TEMPERATURE °F [°C]	0 [-17.8]	Total BTUH [kW] Power	10.4 [3.0] 2.1	10.2 [3.0] 2.2	10.1 [3.0] 2.2	9.4 [2.8] 2.5	9.3 [2.7] 2.5	9.2 [2.7] 2.6	8.5 [2.5] 2.8	8.4 [2.5] 2.8	8.3 [2.4] 2.9
	5 [-15]	Total BTUH [kW] Power	13.8 [4.0] 2.2	13.6 [4.0] 2.3	13.4 [3.9] 2.3	12.9 [3.8] 2.5	12.7 [3.7] 2.6	12.5 [3.7] 2.7	11.9 [3.5] 2.8	11.8 [3.5] 2.9	11.6 [3.4] 3.0
	10 [-12.2]	Total BTUH [kW] Power	17.2 [5.0] 2.3	17.0 [5.0] 2.3	16.7 [4.9] 2.4	16.3 [4.8] 2.6	16.0 [4.7] 2.7	15.8 [4.6] 2.7	15.4 [4.5] 2.9	15.1 [4.4] 3.0	14.9 [4.4] 3.0
	15 [-9.4]	Total BTUH [kW] Power	20.6 [6.0] 2.3	20.3 [5.9] 2.4	20.1 [5.9] 2.4	19.7 [5.8] 2.7	19.4 [5.7] 2.7	19.2 [5.6] 2.8	18.8 [5.5] 3.0	18.5 [5.4] 3.0	18.3 [5.4] 3.1
	20 [-6.7]	Total BTUH [kW] Power	24.1 [7.1] 2.4	23.7 [6.9] 2.5	23.4 [6.9] 2.5	23.2 [6.8] 2.7	22.8 [6.7] 2.8	22.5 [6.6] 2.9	22.2 [6.5] 3.0	21.9 [6.4] 3.1	21.6 [6.3] 3.2
	25 [-3.9]	Total BTUH [kW] Power	27.5 [8.1] 2.5	27.1 [7.9] 2.5	26.7 [7.8] 2.6	26.6 [7.8] 2.8	26.2 [7.7] 2.9	25.8 [7.6] 2.9	25.7 [7.5] 3.1	25.3 [7.4] 3.2	24.9 [7.3] 3.2
	30 [-1.1]	Total BTUH [kW] Power	30.9 [9.1] 2.5	30.5 [8.9] 2.6	30.1 [8.8] 2.7	30.0 [8.8] 2.9	29.6 [8.7] 2.9	29.2 [8.6] 3.0	29.1 [8.5] 3.2	28.6 [8.4] 3.2	28.3 [8.3] 3.3
	35 [1.7]	Total BTUH [kW] Power	34.4 [10.1] 2.6	33.8 [9.9] 2.7	33.4 [9.8] 2.7	33.4 [9.8] 2.9	32.9 [9.6] 3.0	32.5 [9.5] 3.1	32.5 [9.5] 3.2	32.0 [9.4] 3.3	31.6 [9.3] 3.4
	40 [4.4]	Total BTUH [kW] Power	37.8 [11.1] 2.6	37.2 [10.9] 2.7	36.7 [10.8] 2.8	36.9 [10.8] 3.0	36.3 [10.6] 3.1	35.8 [10.5] 3.2	36.0 [10.6] 3.3	35.4 [10.4] 3.4	34.9 [10.2] 3.5
	45 [7.2]	Total BTUH [kW] Power	41.2 [12.1] 2.7	40.6 [11.9] 2.8	40.0 [11.7] 2.9	40.3 [11.8] 3.1	39.7 [11.6] 3.1	39.2 [11.5] 3.2	39.4 [11.5] 3.3	38.8 [11.4] 3.4	38.3 [11.2] 3.5
50 [10]	Total BTUH [kW] Power	44.7 [13.1] 2.8	44.0 [12.9] 2.9	43.4 [12.7] 2.9	43.7 [12.8] 3.1	43.1 [12.6] 3.2	42.5 [12.5] 3.3	42.8 [12.5] 3.4	42.1 [12.3] 3.5	41.6 [12.2] 3.6	

IDB —Indoor air dry bulb

[] Designates Metric Conversions



**HEATING PERFORMANCE DATA—RQPM-A060**

IDB		60°F [15.5°C]			70°F [21.1°C]			80°F [26.7°C]			
		CFM [L/s]	2280 [1076]	1900 [897]	1520 [717]	2280 [1076]	1900 [897]	1520 [717]	2280 [1076]	1900 [897]	1520 [717]
OUTDOOR DRY BULB TEMPERATURE °F [°C]	0 [-17.8]	Total BTUH [kW] Power	22.6 [6.6] 2.8	22.3 [6.5] 2.9	22.0 [6.4] 3.0	21.4 [6.3] 3.3	21.1 [6.2] 3.4	20.8 [6.1] 3.5	20.1 [5.9] 3.8	19.8 [5.8] 3.9	19.5 [5.7] 4.0
	5 [-15]	Total BTUH [kW] Power	26.6 [7.8] 2.9	26.2 [7.7] 3.0	25.8 [7.6] 3.1	25.3 [7.4] 3.4	25.0 [7.3] 3.5	24.6 [7.2] 3.6	24.1 [7.1] 3.9	23.7 [6.9] 4.0	23.4 [6.9] 4.1
	10 [-12.2]	Total BTUH [kW] Power	30.6 [9.0] 3.0	30.1 [8.8] 3.1	29.7 [8.7] 3.1	29.3 [8.6] 3.5	28.9 [8.5] 3.6	28.5 [8.4] 3.7	28.0 [8.2] 4.0	27.6 [8.1] 4.1	27.2 [8.0] 4.2
	15 [-9.4]	Total BTUH [kW] Power	34.5 [10.1] 3.1	34.0 [10.0] 3.1	33.5 [9.8] 3.2	33.3 [9.8] 3.6	32.8 [9.6] 3.7	32.3 [9.5] 3.7	32.0 [9.4] 4.1	31.5 [9.2] 4.2	31.1 [9.1] 4.3
	20 [-6.7]	Total BTUH [kW] Power	38.5 [11.3] 3.1	37.9 [11.1] 3.2	37.4 [11.0] 3.3	37.2 [10.9] 3.6	36.7 [10.8] 3.7	36.2 [10.6] 3.8	36.0 [10.6] 4.2	35.4 [10.4] 4.3	34.9 [10.2] 4.4
	25 [-3.9]	Total BTUH [kW] Power	42.4 [12.4] 3.2	41.8 [12.3] 3.3	41.2 [12.1] 3.4	41.2 [12.1] 3.7	40.6 [11.9] 3.8	40.0 [11.7] 3.9	39.9 [11.7] 4.3	39.4 [11.5] 4.4	38.8 [11.4] 4.5
	30 [-1.1]	Total BTUH [kW] Power	46.4 [13.6] 3.3	45.8 [13.4] 3.4	45.1 [13.2] 3.5	45.1 [13.2] 3.8	44.5 [13.0] 3.9	43.9 [12.9] 4.0	43.9 [12.9] 4.3	43.3 [12.7] 4.4	42.6 [12.5] 4.6
	35 [1.7]	Total BTUH [kW] Power	50.4 [14.8] 3.4	49.7 [14.6] 3.5	48.9 [14.3] 3.6	49.1 [14.4] 3.9	48.4 [14.2] 4.0	47.7 [14.0] 4.1	47.8 [14.0] 4.4	47.2 [13.8] 4.5	46.5 [13.6] 4.6
	40 [4.4]	Total BTUH [kW] Power	54.3 [15.9] 3.5	53.6 [15.7] 3.6	52.8 [15.5] 3.7	53.1 [15.6] 4.0	52.3 [15.3] 4.1	51.6 [15.1] 4.2	51.8 [15.2] 4.5	51.1 [15.0] 4.6	50.4 [14.8] 4.7
	45 [7.2]	Total BTUH [kW] Power	58.3 [17.1] 3.6	57.5 [16.9] 3.6	56.7 [16.6] 3.7	57.0 [16.7] 4.0	56.2 [16.5] 4.2	55.4 [16.2] 4.3	55.8 [16.4] 4.6	55.0 [16.1] 4.7	54.2 [15.9] 4.8
50 [10]	Total BTUH [kW] Power	62.3 [18.3] 3.6	61.4 [18.0] 3.7	60.5 [17.7] 3.8	61.0 [17.9] 4.1	60.1 [17.6] 4.2	59.3 [17.4] 4.3	59.7 [17.5] 4.7	58.9 [17.3] 4.8	58.1 [17.0] 4.9	

IDB —Indoor air dry bulb

[] Designates Metric Conversions



HEATING PERFORMANCE DATA—RQRM-A024JK

		IDB	60°F [15.5°C]			70°F [21.1°C]			80°F [26.7°C]		
			CFM [L/s]	1200 [566]	900 [453]	800 [378]	1200 [566]	900 [453]	800 [378]	1200 [566]	900 [453]
OUTDOOR DRY BULB TEMPERATURE °F [°C]	0 [-17.8]	Total BTUH [kW] Power	7.2 [2.1] 1.2	7.0 [2.1] 1.3	7.0 [2.1] 1.3	6.2 [1.8] 1.4	6.1 [1.8] 1.4	6.0 [1.8] 1.5	5.2 [1.5] 1.5	5.1 [1.5] 1.6	5.1 [1.5] 1.6
	5 [-15]	Total BTUH [kW] Power	9.1 [2.7] 1.3	8.9 [2.6] 1.3	8.8 [2.6] 1.3	8.1 [2.4] 1.4	7.9 [2.3] 1.5	7.9 [2.3] 1.5	7.1 [2.1] 1.6	6.9 [2.0] 1.6	6.9 [2.0] 1.7
	10 [-12.2]	Total BTUH [kW] Power	11.0 [3.2] 1.3	10.7 [3.1] 1.3	10.7 [3.1] 1.4	10.0 [2.9] 1.4	9.8 [2.9] 1.5	9.7 [2.8] 1.5	9.0 [2.6] 1.6	8.8 [2.6] 1.7	8.7 [2.5] 1.7
	15 [-9.4]	Total BTUH [kW] Power	12.9 [3.8] 1.3	12.6 [3.7] 1.4	12.5 [3.7] 1.4	11.9 [3.5] 1.5	11.6 [3.4] 1.5	11.5 [3.4] 1.5	10.9 [3.2] 1.6	10.7 [3.1] 1.7	10.6 [3.1] 1.7
	20 [-6.7]	Total BTUH [kW] Power	14.8 [4.3] 1.3	14.4 [4.2] 1.4	14.3 [4.2] 1.4	13.8 [4.0] 1.5	13.5 [4.0] 1.5	13.4 [3.9] 1.6	12.8 [3.8] 1.6	12.5 [3.7] 1.7	12.4 [3.6] 1.7
	25 [-3.9]	Total BTUH [kW] Power	16.7 [4.9] 1.4	16.3 [4.8] 1.4	16.2 [4.7] 1.5	15.7 [4.6] 1.5	15.3 [4.5] 1.6	15.2 [4.5] 1.6	14.7 [4.3] 1.7	14.4 [4.2] 1.7	14.2 [4.2] 1.8
	30 [-1.1]	Total BTUH [kW] Power	18.6 [5.5] 1.4	18.2 [5.3] 1.5	18.0 [5.3] 1.5	17.6 [5.2] 1.5	17.2 [5.0] 1.6	17.0 [5.0] 1.6	16.6 [4.9] 1.7	16.2 [4.7] 1.8	16.1 [4.7] 1.8
	35 [1.7]	Total BTUH [kW] Power	20.5 [6.0] 1.4	20.0 [5.9] 1.5	19.9 [5.8] 1.5	19.5 [5.7] 1.6	19.0 [5.6] 1.6	18.9 [5.5] 1.7	18.5 [5.4] 1.7	18.1 [5.3] 1.8	17.9 [5.2] 1.8
	40 [4.4]	Total BTUH [kW] Power	22.4 [6.6] 1.5	21.9 [6.4] 1.5	21.7 [6.4] 1.5	21.4 [6.3] 1.6	20.9 [6.1] 1.7	20.7 [6.1] 1.7	20.4 [6.0] 1.7	19.9 [5.8] 1.8	19.8 [5.8] 1.9
	45 [7.2]	Total BTUH [kW] Power	24.3 [7.1] 1.5	23.7 [6.9] 1.5	23.5 [6.9] 1.6	23.3 [6.8] 1.6	22.7 [6.7] 1.7	22.6 [6.6] 1.7	22.3 [6.5] 1.8	21.8 [6.4] 1.9	21.6 [6.3] 1.9
50 [10]	Total BTUH [kW] Power	26.2 [7.7] 1.5	25.6 [7.5] 1.6	25.4 [7.4] 1.6	25.2 [7.4] 1.6	24.6 [7.2] 1.7	24.4 [7.2] 1.7	24.2 [7.1] 1.8	23.6 [6.9] 1.9	23.4 [6.9] 1.9	

IDB —Indoor air dry bulb

HEATING PERFORMANCE DATA—RQRM-A030JK

		IDB	60°F [15.5°C]			70°F [21.1°C]			80°F [26.7°C]		
			CFM [L/s]	1200 [566]	1000 [472]	800 [378]	1200 [566]	1000 [472]	800 [378]	1200 [566]	1000 [472]
OUTDOOR DRY BULB TEMPERATURE °F [°C]	0 [-17.8]	Total BTUH [kW] Power	9.3 [2.7] 1.5	9.2 [2.7] 1.5	9.0 [2.6] 1.6	8.4 [2.5] 1.6	8.3 [2.4] 1.7	8.2 [2.4] 1.7	7.5 [2.2] 1.9	7.4 [2.2] 1.9	7.3 [2.1] 2.0
	5 [-15]	Total BTUH [kW] Power	11.5 [3.4] 1.5	11.3 [3.3] 1.6	11.1 [3.3] 1.6	10.6 [3.1] 1.7	10.4 [3.0] 1.7	10.3 [3.0] 1.8	9.7 [2.8] 1.9	9.5 [2.8] 2.0	9.4 [2.8] 2.0
	10 [-12.2]	Total BTUH [kW] Power	13.6 [4.0] 1.6	13.4 [3.9] 1.6	13.2 [3.9] 1.6	12.7 [3.7] 1.7	12.6 [3.7] 1.7	12.4 [3.6] 1.8	11.8 [3.5] 1.9	11.7 [3.4] 2.0	11.5 [3.4] 2.0
	15 [-9.4]	Total BTUH [kW] Power	15.8 [4.6] 1.6	15.6 [4.6] 1.6	15.4 [4.5] 1.7	14.9 [4.4] 1.7	14.7 [4.3] 1.8	14.5 [4.2] 1.8	14.0 [4.1] 2.0	13.8 [4.0] 2.0	13.6 [4.0] 2.1
	20 [-6.7]	Total BTUH [kW] Power	18.0 [5.3] 1.6	17.7 [5.2] 1.7	17.5 [5.1] 1.7	17.1 [5.0] 1.8	16.8 [4.9] 1.8	16.6 [4.9] 1.9	16.2 [4.7] 2.0	15.9 [4.7] 2.1	15.7 [4.6] 2.1
	25 [-3.9]	Total BTUH [kW] Power	20.1 [5.9] 1.7	19.9 [5.8] 1.7	19.6 [5.7] 1.7	19.2 [5.6] 1.8	19.0 [5.6] 1.8	18.7 [5.5] 1.9	18.3 [5.4] 2.0	18.1 [5.3] 2.1	17.8 [5.2] 2.2
	30 [-1.1]	Total BTUH [kW] Power	22.3 [6.5] 1.7	22.0 [6.4] 1.7	21.7 [6.4] 1.8	21.4 [6.3] 1.8	21.1 [6.2] 1.9	20.8 [6.1] 1.9	20.5 [6.0] 2.1	20.2 [5.9] 2.1	19.9 [5.8] 2.2
	35 [1.7]	Total BTUH [kW] Power	24.5 [7.2] 1.7	24.1 [7.1] 1.8	23.8 [7.0] 1.8	23.6 [6.9] 1.9	23.3 [6.8] 1.9	22.9 [6.7] 2.0	22.7 [6.7] 2.1	22.4 [6.6] 2.2	22.0 [6.4] 2.2
	40 [4.4]	Total BTUH [kW] Power	26.6 [7.8] 1.8	26.3 [7.7] 1.8	25.9 [7.6] 1.8	25.8 [7.6] 1.9	25.4 [7.4] 1.9	25.0 [7.3] 2.0	24.9 [7.3] 2.1	24.5 [7.2] 2.2	24.2 [7.1] 2.3
	45 [7.2]	Total BTUH [kW] Power	28.8 [8.4] 1.8	28.4 [8.3] 1.8	28.0 [8.2] 1.9	27.9 [8.2] 1.9	27.5 [8.1] 2.0	27.1 [7.9] 2.0	27.0 [7.9] 2.2	26.6 [7.8] 2.2	26.3 [7.7] 2.3
50 [10]	Total BTUH [kW] Power	31.0 [9.1] 1.8	30.6 [9.0] 1.9	30.1 [8.8] 1.9	30.1 [8.8] 2.0	29.7 [8.7] 2.0	29.2 [8.6] 2.1	29.2 [8.6] 2.2	28.8 [8.4] 2.3	28.4 [8.3] 2.3	

IDB —Indoor air dry bulb

[] Designates Metric Conversions





HEATING PERFORMANCE DATA—RQRM-A036JK

		IDB	60°F [15.5°C]			70°F [21.1°C]			80°F [26.7°C]		
			CFM [L/s]	1440 [680]	1200 [566]	960 [453]	1440 [680]	1200 [566]	960 [453]	1440 [680]	1200 [566]
OUTDOOR DRY BULB TEMPERATURE °F [°C]	0 [-17.8]	Total BTUH [kW]	11.0 [3.2]	10.9 [3.2]	10.7 [3.1]	10.0 [2.9]	9.8 [2.9]	9.7 [2.8]	9.0 [2.6]	8.8 [2.6]	8.7 [2.5]
		Power	1.7	1.8	1.8	1.9	2.0	2.0	2.3	2.4	2.5
	5 [-15]	Total BTUH [kW]	13.5 [4.0]	13.3 [3.9]	13.1 [3.8]	12.4 [3.6]	12.3 [3.6]	12.1 [3.5]	11.4 [3.3]	11.2 [3.3]	11.1 [3.3]
		Power	1.8	1.8	1.9	2.0	2.0	2.1	2.4	2.4	2.5
	10 [-12.2]	Total BTUH [kW]	15.9 [4.7]	15.7 [4.6]	15.5 [4.5]	14.9 [4.4]	14.7 [4.3]	14.5 [4.2]	13.9 [4.1]	13.7 [4.0]	13.5 [4.0]
		Power	1.8	1.9	1.9	2.0	2.1	2.2	2.4	2.5	2.6
	15 [-9.4]	Total BTUH [kW]	18.4 [5.4]	18.1 [5.3]	17.9 [5.2]	17.4 [5.1]	17.1 [5.0]	16.9 [5.0]	16.3 [4.8]	16.1 [4.7]	15.9 [4.7]
		Power	1.9	1.9	2.0	2.1	2.1	2.2	2.5	2.5	2.6
	20 [-6.7]	Total BTUH [kW]	20.9 [6.1]	20.6 [6.0]	20.3 [5.9]	19.8 [5.8]	19.5 [5.7]	19.3 [5.7]	18.8 [5.5]	18.5 [5.4]	18.3 [5.4]
		Power	1.9	2.0	2.0	2.1	2.2	2.3	2.5	2.6	2.7
25 [-3.9]	Total BTUH [kW]	23.3 [6.8]	23.0 [6.7]	22.7 [6.7]	22.3 [6.5]	22.0 [6.4]	21.7 [6.4]	21.2 [6.2]	20.9 [6.1]	20.6 [6.0]	
	Power	2.0	2.0	2.1	2.2	2.2	2.3	2.6	2.6	2.7	
30 [-1.1]	Total BTUH [kW]	25.8 [7.6]	25.4 [7.4]	25.1 [7.4]	24.7 [7.2]	24.4 [7.2]	24.0 [7.0]	23.7 [6.9]	23.4 [6.9]	23.0 [6.7]	
	Power	2.0	2.1	2.1	2.2	2.3	2.4	2.6	2.7	2.8	
35 [1.7]	Total BTUH [kW]	28.2 [8.3]	27.8 [8.1]	27.4 [8.0]	27.2 [8.0]	26.8 [7.9]	26.4 [7.7]	26.2 [7.7]	25.8 [7.6]	25.4 [7.4]	
	Power	2.1	2.1	2.2	2.3	2.3	2.4	2.7	2.7	2.8	
40 [4.4]	Total BTUH [kW]	30.7 [9.0]	30.3 [8.9]	29.8 [8.7]	29.7 [8.7]	29.2 [8.6]	28.8 [8.4]	28.6 [8.4]	28.2 [8.3]	27.8 [8.1]	
	Power	2.1	2.2	2.2	2.3	2.4	2.5	2.7	2.8	2.9	
45 [7.2]	Total BTUH [kW]	33.2 [9.7]	32.7 [9.6]	32.2 [9.4]	32.1 [9.4]	31.7 [9.3]	31.2 [9.1]	31.1 [9.1]	30.6 [9.0]	30.2 [8.9]	
	Power	2.2	2.2	2.3	2.4	2.4	2.5	2.8	2.8	2.9	
50 [10]	Total BTUH [kW]	35.6 [10.4]	35.1 [10.3]	34.6 [10.1]	34.6 [10.1]	34.1 [10.0]	33.6 [9.8]	33.5 [9.8]	33.1 [9.7]	32.6 [9.6]	
	Power	2.2	2.3	2.3	2.4	2.5	2.6	2.8	2.9	3.0	

IDB —Indoor air dry bulb

HEATING PERFORMANCE DATA—RQRM-A042JK

		IDB	60°F [15.5°C]			70°F [21.1°C]			80°F [26.7°C]		
			CFM [L/s]	1860 [878]	1425 [673]	1240 [585]	1860 [878]	1425 [673]	1240 [585]	1860 [878]	1425 [673]
OUTDOOR DRY BULB TEMPERATURE °F [°C]	0 [-17.8]	Total BTUH [kW]	12.9 [3.8]	12.6 [3.7]	12.5 [3.7]	11.7 [3.4]	11.5 [3.4]	11.4 [3.3]	10.6 [3.1]	10.3 [3.0]	10.3 [3.0]
		Power	2.0	2.0	2.1	2.2	2.3	2.3	2.5	2.6	2.6
	5 [-15]	Total BTUH [kW]	15.8 [4.6]	15.5 [4.5]	15.3 [4.5]	14.7 [4.3]	14.4 [4.2]	14.2 [4.2]	13.5 [4.0]	13.2 [3.9]	13.1 [3.8]
		Power	2.0	2.1	2.1	2.2	2.3	2.4	2.5	2.6	2.7
	10 [-12.2]	Total BTUH [kW]	18.8 [5.5]	18.4 [5.4]	18.2 [5.3]	17.6 [5.2]	17.3 [5.1]	17.1 [5.0]	16.5 [4.8]	16.1 [4.7]	16.0 [4.7]
		Power	2.0	2.1	2.2	2.3	2.4	2.4	2.6	2.7	2.7
	15 [-9.4]	Total BTUH [kW]	21.7 [6.4]	21.3 [6.2]	21.1 [6.2]	20.6 [6.0]	20.2 [5.9]	20.0 [5.9]	19.5 [5.7]	19.0 [5.6]	18.9 [5.5]
		Power	2.1	2.2	2.2	2.3	2.4	2.4	2.6	2.7	2.7
	20 [-6.7]	Total BTUH [kW]	24.7 [7.2]	24.2 [7.1]	23.9 [7.0]	23.6 [6.9]	23.1 [6.8]	22.8 [6.7]	22.4 [6.6]	21.9 [6.4]	21.7 [6.4]
		Power	2.1	2.2	2.2	2.3	2.4	2.5	2.6	2.7	2.8
25 [-3.9]	Total BTUH [kW]	27.7 [8.1]	27.1 [7.9]	26.8 [7.9]	26.5 [7.8]	26.0 [7.6]	25.7 [7.5]	25.4 [7.4]	24.8 [7.3]	24.6 [7.2]	
	Power	2.2	2.2	2.3	2.4	2.5	2.5	2.7	2.8	2.8	
30 [-1.1]	Total BTUH [kW]	30.6 [9.0]	30.0 [8.8]	29.7 [8.7]	29.5 [8.6]	28.9 [8.5]	28.6 [8.4]	28.3 [8.3]	27.7 [8.1]	27.5 [8.1]	
	Power	2.2	2.3	2.3	2.4	2.5	2.6	2.7	2.8	2.9	
35 [1.7]	Total BTUH [kW]	33.6 [9.8]	32.9 [9.6]	32.6 [9.6]	32.4 [9.5]	31.8 [9.3]	31.5 [9.2]	31.3 [9.2]	30.6 [9.0]	30.3 [8.9]	
	Power	2.2	2.3	2.4	2.5	2.6	2.6	2.7	2.9	2.9	
40 [4.4]	Total BTUH [kW]	36.5 [10.7]	35.8 [10.5]	35.4 [10.4]	35.4 [10.4]	34.6 [10.1]	34.3 [10.1]	34.3 [10.1]	33.5 [9.8]	33.2 [9.7]	
	Power	2.3	2.4	2.4	2.5	2.6	2.6	2.8	2.9	2.9	
45 [7.2]	Total BTUH [kW]	39.5 [11.6]	38.7 [11.3]	38.3 [11.2]	38.4 [11.3]	37.5 [11.0]	37.2 [10.9]	37.2 [10.9]	36.4 [10.7]	36.1 [10.6]	
	Power	2.3	2.4	2.4	2.5	2.6	2.7	2.8	2.9	3.0	
50 [10]	Total BTUH [kW]	42.5 [12.5]	41.6 [12.2]	41.2 [12.1]	41.3 [12.1]	40.4 [11.8]	40.1 [11.8]	40.2 [11.8]	39.3 [11.5]	39.0 [11.4]	
	Power	2.4	2.4	2.5	2.6	2.7	2.7	2.9	3.0	3.0	

IDB —Indoor air dry bulb

[] Designates Metric Conversions





HEATING PERFORMANCE DATA—RQRM-A048JK

		IDB	60°F [15.5°C]			70°F [21.1°C]			80°F [26.7°C]		
			CFM [L/s]	1860 [878]	1525 [720]	1240 [585]	1860 [878]	1525 [720]	1240 [585]	1860 [878]	1525 [720]
OUTDOOR DRY BULB TEMPERATURE °F [°C]	0 [-17.8]	Total BTUH [kW]	12.7 [3.7]	12.5 [3.7]	12.3 [3.6]	11.5 [3.4]	11.3 [3.3]	11.2 [3.3]	10.3 [3.0]	10.2 [3.0]	10.0 [2.9]
		Power	2.0	2.0	2.1	2.2	2.3	2.3	2.6	2.7	2.7
	5 [-15]	Total BTUH [kW]	16.1 [4.7]	15.8 [4.6]	15.6 [4.6]	14.9 [4.4]	14.6 [4.3]	14.4 [4.2]	13.7 [4.0]	13.5 [4.0]	13.3 [3.9]
		Power	2.0	2.1	2.1	2.3	2.3	2.4	2.6	2.7	2.8
	10 [-12.2]	Total BTUH [kW]	19.4 [5.7]	19.1 [5.6]	18.9 [5.5]	18.2 [5.3]	18.0 [5.3]	17.7 [5.2]	17.1 [5.0]	16.8 [4.9]	16.6 [4.9]
		Power	2.1	2.1	2.2	2.3	2.4	2.5	2.7	2.8	2.8
	15 [-9.4]	Total BTUH [kW]	22.8 [6.7]	22.4 [6.6]	22.1 [6.5]	21.6 [6.3]	21.3 [6.2]	21.0 [6.2]	20.4 [6.0]	20.1 [5.9]	19.8 [5.8]
		Power	2.2	2.2	2.3	2.4	2.5	2.5	2.8	2.8	2.9
	20 [-6.7]	Total BTUH [kW]	26.1 [7.6]	25.7 [7.5]	25.4 [7.4]	25.0 [7.3]	24.6 [7.2]	24.3 [7.1]	23.8 [7.0]	23.4 [6.9]	23.1 [6.8]
		Power	2.2	2.3	2.3	2.5	2.5	2.6	2.8	2.9	3.0
	25 [-3.9]	Total BTUH [kW]	29.5 [8.6]	29.1 [8.5]	28.7 [8.4]	28.3 [8.3]	27.9 [8.2]	27.5 [8.1]	27.1 [7.9]	26.7 [7.8]	26.4 [7.7]
		Power	2.3	2.3	2.4	2.5	2.6	2.7	2.9	3.0	3.0
30 [-1.1]	Total BTUH [kW]	32.9 [9.6]	32.4 [9.5]	31.9 [9.3]	31.7 [9.3]	31.2 [9.1]	30.8 [9.0]	30.5 [8.9]	30.0 [8.8]	29.6 [8.7]	
	Power	2.3	2.4	2.5	2.6	2.7	2.7	3.0	3.0	3.1	
35 [1.7]	Total BTUH [kW]	36.2 [10.6]	35.7 [10.5]	35.2 [10.3]	35.1 [10.3]	34.5 [10.1]	34.1 [10.0]	33.9 [9.9]	33.4 [9.8]	32.9 [9.6]	
	Power	2.4	2.5	2.5	2.7	2.7	2.8	3.0	3.1	3.2	
40 [4.4]	Total BTUH [kW]	39.6 [11.6]	39.0 [11.4]	38.5 [11.3]	38.4 [11.3]	37.8 [11.1]	37.3 [10.9]	37.2 [10.9]	36.7 [10.8]	36.2 [10.6]	
	Power	2.5	2.5	2.6	2.7	2.8	2.9	3.1	3.2	3.2	
45 [7.2]	Total BTUH [kW]	43.0 [12.6]	42.3 [12.4]	41.7 [12.2]	41.8 [12.3]	41.1 [12.0]	40.6 [11.9]	40.6 [11.9]	40.0 [11.7]	39.4 [11.5]	
	Power	2.5	2.6	2.7	2.8	2.9	2.9	3.1	3.2	3.3	
50 [10]	Total BTUH [kW]	46.3 [13.6]	45.6 [13.4]	45.0 [13.2]	45.2 [13.2]	44.5 [13.0]	43.9 [12.9]	44.0 [12.9]	43.3 [12.7]	42.7 [12.5]	
	Power	2.6	2.7	2.7	2.8	2.9	3.0	3.2	3.3	3.4	

IDB —Indoor air dry bulb

HEATING PERFORMANCE DATA—RQRM-A060JK

		IDB	60°F [15.5°C]			70°F [21.1°C]			80°F [26.7°C]		
			CFM [L/s]	1860 [878]	1900 [897]	1240 [585]	1860 [878]	1900 [897]	1240 [585]	1860 [878]	1900 [897]
OUTDOOR DRY BULB TEMPERATURE °F [°C]	0 [-17.8]	Total BTUH [kW]	18.6 [5.5]	18.6 [5.5]	18.2 [5.3]	17.5 [5.1]	17.5 [5.1]	17.1 [5.0]	16.3 [4.8]	16.3 [4.8]	15.9 [4.7]
		Power	2.6	2.6	2.7	3.0	3.0	3.1	3.4	3.4	3.5
	5 [-15]	Total BTUH [kW]	22.4 [6.6]	22.5 [6.6]	21.9 [6.4]	21.3 [6.2]	21.3 [6.2]	20.8 [6.1]	20.1 [5.9]	20.2 [5.9]	19.7 [5.8]
		Power	2.7	2.7	2.8	3.1	3.1	3.2	3.5	3.5	3.6
	10 [-12.2]	Total BTUH [kW]	26.3 [7.7]	26.3 [7.7]	25.7 [7.5]	25.1 [7.4]	25.2 [7.4]	24.5 [7.2]	24.0 [7.0]	24.0 [7.0]	23.4 [6.9]
		Power	2.8	2.8	2.9	3.2	3.2	3.3	3.6	3.6	3.7
	15 [-9.4]	Total BTUH [kW]	30.1 [8.8]	30.1 [8.8]	29.4 [8.6]	29.0 [8.5]	29.0 [8.5]	28.3 [8.3]	27.8 [8.1]	27.8 [8.1]	27.1 [7.9]
		Power	2.9	2.9	3.0	3.3	3.3	3.4	3.7	3.6	3.8
	20 [-6.7]	Total BTUH [kW]	33.9 [9.9]	34.0 [10.0]	33.1 [9.7]	32.8 [9.6]	32.8 [9.6]	32.0 [9.4]	31.6 [9.3]	31.7 [9.3]	30.9 [9.1]
		Power	3.0	3.0	3.1	3.4	3.4	3.5	3.7	3.7	3.9
	25 [-3.9]	Total BTUH [kW]	37.8 [11.1]	37.8 [11.1]	36.9 [10.8]	36.6 [10.7]	36.7 [10.8]	35.8 [10.5]	35.5 [10.4]	35.5 [10.4]	34.6 [10.1]
		Power	3.1	3.1	3.2	3.4	3.4	3.6	3.8	3.8	4.0
30 [-1.1]	Total BTUH [kW]	41.6 [12.2]	41.7 [12.2]	40.6 [11.9]	40.4 [11.8]	40.5 [11.9]	39.5 [11.6]	39.3 [11.5]	39.3 [11.5]	38.4 [11.3]	
	Power	3.2	3.2	3.3	3.5	3.5	3.7	3.9	3.9	4.1	
35 [1.7]	Total BTUH [kW]	45.4 [13.3]	45.5 [13.3]	44.4 [13.0]	44.3 [13.0]	44.3 [13.0]	43.2 [12.7]	43.1 [12.6]	43.2 [12.7]	42.1 [12.3]	
	Power	3.3	3.2	3.4	3.6	3.6	3.8	4.0	4.0	4.2	
40 [4.4]	Total BTUH [kW]	49.2 [14.4]	49.3 [14.4]	48.1 [14.1]	48.1 [14.1]	48.2 [14.1]	47.0 [13.8]	46.9 [13.7]	47.0 [13.8]	45.8 [13.4]	
	Power	3.3	3.3	3.5	3.7	3.7	3.9	4.1	4.1	4.3	
45 [7.2]	Total BTUH [kW]	53.1 [15.6]	53.2 [15.6]	51.8 [15.2]	51.9 [15.2]	52.0 [15.2]	50.7 [14.9]	50.8 [14.9]	50.8 [14.9]	49.6 [14.5]	
	Power	3.4	3.4	3.6	3.8	3.8	4.0	4.2	4.2	4.4	
50 [10]	Total BTUH [kW]	56.9 [16.7]	57.0 [16.7]	55.6 [16.3]	55.8 [16.4]	55.8 [16.4]	54.5 [16.0]	54.6 [16.0]	54.7 [16.0]	53.3 [15.6]	
	Power	3.5	3.5	3.7	3.9	3.9	4.1	4.3	4.3	4.5	

IDB —Indoor air dry bulb

[] Designates Metric Conversions



INDOOR AIRFLOW PERFORMANCE—208/230 VOLTS

Nominal Cooling Capacity Tons [kW]	Motor Speed from Factory	Manufacturer Recommended Air-Flow Range CFM		Blower Size/ Motor HP [W] # of Speed	Voltage	Motor Speed	CFM Air Delivery/RPM/Watts										
		Min.	Max.				External Static Pressure—Inches W.C. [kPa]										
							0.1 [.02]	0.2 [.05]	0.3 [.07]	0.4 [.10]	0.5 [.12]	0.6 [.15]	0.7 [.17]	0.8 [.20]	0.9 [.22]	1.0 [.25]	
2.0 [7.03]	Low (PSC)	700	900	10x9 1/4 hp [1.86] 2 Speed	208	Low	CFM	723 [341]	692 [327]	654 [309]	609 [287]	566 [262]	496 [234]	428 [202]	—	—	—
							RPM	443	528	651	710	819	863	914	—	—	—
							Watts	230	222	219	214	202	196	184	—	—	—
	High	CFM	1062 [501]			1062 [501]	1058 [489]	1043 [492]	1013 [478]	962 [454]	884 [417]	774 [365]	627 [296]	437 [206]	1080		
		RPM	528			618	674	735	812	895	936	985	1055	1080	—		
		Watts	396			393	384	376	361	335	318	297	244	223	—		
2.5 [8.79]	Low (PSC)	875	1125	10x9 1/3 hp [2.49] 2 Speed	208	Low	CFM	827 [390]	811 [383]	782 [369]	740 [349]	684 [323]	614 [290]	531 [251]	435 [205]	—	—
							RPM	450	533	626	742	799	894	932	985	—	—
							Watts	278	273	269	254	244	227	216	198	—	—
	High	CFM	1230 [580]			1223 [577]	1216 [574]	1211 [572]	1187 [560]	1125 [531]	1020 [481]	874 [412]	696 [328]	504 [238]	1092		
		RPM	575			643	703	767	819	877	976	1001	1072	1092	—		
		Watts	479			468	455	448	431	416	357	341	279	259	—		
3.0 [10.55]	Low (PSC)	1050	1350	10x9 1/2 hp [3.73] 2 Speed	230	Low	CFM	923 [436]	904 [427]	874 [412]	832 [393]	774 [365]	698 [329]	602 [284]	483 [228]	—	—
							RPM	498	543	648	728	806	853	947	989	—	—
							Watts	280	278	268	259	252	243	219	201	—	—
	High	CFM	1164 [549]			1154 [545]	1143 [539]	1124 [530]	1090 [514]	1034 [488]	948 [447]	826 [390]	660 [311]	445 [210]	1078		
		RPM	526			596	670	744	803	864	945	971	1051	1078	—		
		Watts	401			398	388	379	371	350	322	310	259	235	—		
3.0 [10.55]	Low (PSC)	1050	1350	10x9 1/2 hp [3.73] 2 Speed	230	Low	CFM	1032 [487]	1030 [486]	1014 [479]	979 [462]	923 [436]	843 [398]	735 [347]	596 [281]	423 [200]	—
							RPM	533	570	659	746	795	863	934	1019	1050	—
							Watts	336	331	326	314	303	280	271	227	210	—
	High	CFM	1312 [619]			1301 [614]	1292 [610]	1276 [602]	1246 [588]	1196 [564]	1117 [527]	1003 [473]	845 [399]	—	—		
		RPM	592			646	712	768	824	883	933	1012	1035	—			
		Watts	482			473	466	454	433	421	401	349	329	—			
3.0 [10.55]	Low (PSC)	1050	1350	10x9 1/2 hp [3.73] 2 Speed	208	Low	CFM	1145 [540]	1142 [539]	1118 [528]	1073 [506]	1006 [475]	918 [433]	—	—	—	
							RPM	556	645	703	769	828	909	—	—	—	
							Watts	346	340	335	326	321	298	—	—	—	
	High	CFM	1884 [889]			1850 [873]	1815 [857]	1772 [836]	1712 [808]	1630 [769]	1516 [715]	1363 [643]	1164 [549]	910 [429]	—		
		RPM	791			834	871	912	946	975	1004	1032	1083	1097	—		
		Watts	704			694	675	655	638	606	581	548	464	440	—		
3.0 [10.55]	Low (PSC)	1050	1350	10x9 1/2 hp [3.73] 2 Speed	230	Low	CFM	1261 [595]	1253 [591]	1225 [578]	1177 [555]	1110 [524]	1023 [483]	915 [432]	788 [372]	641 [303]	—
							RPM	648	705	754	802	854	896	985	1008	1041	—
							Watts	398	395	387	391	370	361	323	310	300	—
	High	CFM	2068 [976]			2008 [948]	1957 [924]	1905 [899]	1841 [869]	1753 [827]	1629 [769]	1458 [688]	1228 [580]	929 [438]	1108		
		RPM	850			883	917	946	972	999	1028	1049	1091	1108	—		
		Watts	826			806	784	762	734	702	658	626	546	512	—		

[] Designates Metric Conversions

INDOOR AIRFLOW PERFORMANCE—208/230 VOLTS

Nominal Cooling Capacity Tons [kW]	Motor Speed from Factory	Manufacturer Recommended Air-Flow Range CFM		Blower Size/ Motor HP [W] # of Speed	Voltage	Motor Speed	CFM Air Delivery/RPM/Watts										
		Min.	Max.				External Static Pressure—Inches W.C. [kPa]										
							0.1 [0.2]	0.2 [0.05]	0.3 [0.07]	0.4 [0.10]	0.5 [0.12]	0.6 [0.15]	0.7 [0.17]	0.8 [0.20]	0.9 [0.22]	1.0 [0.25]	
3.5 [12.31]	Low (PSC)	1225	1575	11x9 1/2 hp [373] 2 Speed	208	Low	CFM	1279 [604]	1237 [584]	1196 [564]	1151 [543]	1098 [518]	1032 [487]	950 [448]	846 [399]	717 [338]	558 [263]
							RPM	490	539	598	653	709	772	811	887	928	978
							Watts	401	400	393	391	381	373	364	343	329	305
							CFM	1751 [826]	1729 [816]	1698 [801]	1658 [782]	1608 [759]	1549 [731]	1481 [699]	1404 [663]	1317 [622]	1221 [576]
							RPM	640	668	706	734	781	813	851	888	937	968
							Watts	660	658	651	644	628	617	603	581	557	524
4.0 [14.07]	Low (PSC)	1400	1800	11x9 3/4 hp [559] 2 Speed	230	High	CFM	1431 [675]	1394 [658]	1348 [636]	1302 [614]	1258 [594]	1208 [570]	1140 [538]	1030 [486]	849 [401]	557 [263]
							RPM	540	579	633	686	724	776	831	868	903	926
							Watts	482	479	477	470	459	453	437	423	335	292
							CFM	1960 [925]	1936 [914]	1903 [898]	1859 [877]	1806 [852]	1742 [822]	1669 [788]	1585 [748]	1491 [704]	1387 [655]
							RPM	703	727	750	780	809	846	877	910	940	975
							Watts	783	782	776	759	750	729	712	686	656	625
5.0 [17.6]	Low (PSC)	1750	2250	11x9 3/4 hp [559] 2 Speed	208	High	CFM	1400 [661]	1393 [657]	1373 [648]	1337 [631]	1288 [608]	1225 [578]	1147 [541]	1055 [498]	949 [448]	828 [391]
							RPM	536	578	623	677	718	782	830	863	902	976
							Watts	471	466	458	455	453	442	429	420	403	374
							CFM	1786 [843]	1764 [833]	1734 [818]	1695 [800]	1649 [778]	1595 [753]	1532 [723]	1462 [690]	1384 [653]	1297 [612]
							RPM	618	643	684	726	757	805	841	883	924	955
							Watts	665	660	651	646	638	626	612	596	573	555
5.0 [17.6]	Low (PSC)	1750	2250	11x9 3/4 hp [559] 2 Speed	230	Low	CFM	1674 [790]	1638 [773]	1595 [753]	1547 [730]	1492 [704]	1432 [676]	1365 [644]	1293 [610]	1214 [573]	1129 [533]
							RPM	576	618	668	708	753	789	832	874	915	954
							Watts	575	563	556	549	544	532	522	503	483	465
							CFM	1996 [942]	1976 [933]	1947 [919]	1909 [901]	1863 [879]	1808 [853]	1744 [823]	1671 [789]	1590 [750]	1500 [708]
							RPM	680	722	752	781	807	833	867	912	936	973
							Watts	799	787	784	760	753	749	730	699	683	652
5.0 [17.6]	Low (PSC)	1750	2250	11x9 3/4 hp [559] 2 Speed	208	Low	CFM	1848 [872]	1821 [859]	1785 [842]	1742 [822]	1690 [798]	1630 [769]	1562 [737]	1486 [701]	1402 [662]	1309 [618]
							RPM	660	685	722	755	795	836	867	904	940	975
							Watts	731	725	720	707	698	680	665	651	623	596
							CFM	2444 [1153]	2420 [1142]	2384 [1125]	2337 [1103]	2278 [1075]	2208 [1042]	2127 [1004]	2034 [960]	1930 [911]	1814 [856]
							RPM	829	838	863	885	914	936	958	983	1003	1029
							Watts	1225	1218	1197	1191	1160	1135	1105	1068	1035	980
5.0 [17.6]	Low (PSC)	1750	2250	11x9 3/4 hp [559] 2 Speed	230	Low	CFM	2044 [965]	2017 [952]	1983 [936]	1941 [916]	1892 [893]	1836 [866]	1773 [837]	1702 [803]	1623 [766]	1537 [725]
							RPM	689	723	756	798	822	855	889	924	951	988
							Watts	886	870	865	849	831	817	799	782	755	726
							CFM	2693 [1271]	2654 [1253]	2606 [1230]	2549 [1203]	2483 [1172]	2408 [1136]	2323 [1096]	2230 [1052]	2127 [1004]	2015 [951]
							RPM	876	897	915	938	956	975	996	1009	1025	1044
							Watts	1438	1427	1399	1368	1340	1312	1274	1228	1192	1146

[] Designates Metric Conversions

INDOOR AIRFLOW PERFORMANCE—208/230 VOLTS



Nominal Cooling Capacity Tons [kW]	Motor Speed from Factory	Manufacturer Recommended Air-Flow Range CFM		Blower Size/ Motor HP [W] # of Speed	Voltage	Motor Speed	CFM Air Delivery/RPM/Watts												
		Min.	Max.				External Static Pressure—Inches W.C. [kPa]												
							0.1 [.02]	0.2 [.05]	0.3 [.07]	0.4 [1.10]	0.5 [1.12]	0.6 [1.15]	0.7 [1.17]	0.8 [1.20]	0.9 [1.22]	1.0 [1.25]			
2.0 [7.03]	Low (Tap 2) X13 (ECM Motor)	700	900	10x9 1/2 hp [373] 2 Speed	208	Low (Tap 2)	CFM	959 [453]	892 [421]	825 [389]	758 [358]	691 [326]	624 [294]	557 [263]	491 [232]	—	—		
							RPM	582	606	655	723	808	851	906	996	—	—		
							Watts	132	110	96	106	119	123	132	144	—	—		
	High (Tap 1)	CFM	1229 [580]		1170 [552]	1112 [525]	1054 [497]	996 [470]	938 [443]	879 [415]	821 [387]	763 [360]	705 [333]	—	—				
		RPM	607		634	698	761	815	880	946	989	1038	1091	—	—				
		Watts	161		145	159	173	182	196	210	220	231	237	—	—				
2.5 [8.79]	Low (Tap 2) X13 (ECM Motor)	875	1125	10x9 1/2 hp [373] 2 Speed	230	Low (Tap 2)	CFM	939 [443]	877 [414]	816 [385]	754 [356]	693 [327]	631 [298]	570 [269]	508 [240]	447 [211]	—		
							RPM	585	601	655	744	809	860	915	1001	1043	—	—	
							Watts	131	116	97	110	121	126	136	149	152	—	—	
	High (Tap 1)	CFM	1240 [585]		1184 [559]	1127 [532]	1071 [505]	1014 [479]	958 [452]	901 [425]	845 [399]	788 [372]	732 [345]	—	—				
		RPM	607		634	698	761	815	880	946	989	1038	1091	—	—				
		Watts	161		145	159	173	182	196	210	220	231	237	—	—				
3.0 [10.55]	Low (Tap 2) X13 (ECM Motor)	1050	1350	10x9 1/2 hp [373] 2 Speed	208	Low (Tap 2)	CFM	1162 [548]	1099 [519]	1035 [488]	972 [459]	908 [429]	844 [398]	781 [369]	717 [338]	654 [309]	590 [278]		
							RPM	603	626	690	752	815	860	915	984	1027	1096	—	—
							Watts	143	124	136	148	157	175	180	188	192	202	—	—
	High (Tap 1)	CFM	1306 [616]		1253 [591]	1200 [566]	1147 [541]	1095 [517]	1042 [492]	989 [467]	937 [442]	884 [417]	831 [392]	—	—				
		RPM	632		679	733	787	841	883	941	1035	1067	1099	—	—				
		Watts	174		187	201	215	227	235	248	266	273	277	—	—				
3.0 [10.55]	Low (Tap 2) X13 (ECM Motor)	1050	1350	10x9 1/2 hp [373] 2 Speed	230	Low (Tap 2)	CFM	1169 [552]	1109 [523]	1049 [495]	988 [466]	928 [438]	868 [410]	807 [381]	747 [353]	687 [324]	626 [295]		
							RPM	603	619	693	756	809	893	942	989	1034	1076	—	—
							Watts	144	130	138	151	159	174	185	195	199	209	—	—
	High (Tap 1)	CFM	1365 [644]		1316 [621]	1266 [597]	1217 [574]	1168 [551]	1119 [528]	1069 [505]	1020 [481]	971 [458]	922 [435]	—	—				
		RPM	631		677	732	784	843	894	942	1035	1077	1118	—	—				
		Watts	177		190	204	218	234	247	256	279	289	294	—	—				
3.0 [10.55]	Low (Tap 2) X13 (ECM Motor)	1050	1350	10x9 1/2 hp [373] 2 Speed	208	Low (Tap 2)	CFM	1328 [627]	1276 [602]	1223 [577]	1171 [553]	1118 [528]	1066 [503]	1013 [478]	961 [454]	—	—		
							RPM	642	693	747	803	852	903	988	1031	—	—		
							Watts	173	187	200	214	226	238	254	263	—	—		
	High (Tap 1)	CFM	1508 [712]		1459 [689]	1409 [665]	1359 [641]	1310 [618]	1260 [595]	1210 [571]	1160 [547]	1111 [524]	1061 [501]	—	—				
		RPM	698		738	789	839	888	933	983	1035	1103	1137	—	—				
		Watts	243		255	271	285	299	310	322	332	343	343	—	—				
3.0 [10.55]	Low (Tap 2) X13 (ECM Motor)	1050	1350	10x9 1/2 hp [373] 2 Speed	230	Low (Tap 2)	CFM	1328 [627]	1280 [604]	1231 [581]	1183 [558]	1135 [536]	1086 [513]	1038 [490]	990 [467]	941 [444]	893 [421]		
							RPM	648	697	752	807	857	903	989	1036	1077	1114	—	—
							Watts	178	191	206	220	233	246	265	277	286	291	—	—
	High (Tap 1)	CFM	1510 [713]		1464 [691]	1418 [669]	1373 [648]	1327 [626]	1281 [605]	1235 [583]	1190 [562]	1144 [540]	1098 [518]	—	—				
		RPM	707		743	792	841	890	937	981	1031	1114	1151	—	—				
		Watts	248		261	277	292	307	322	334	348	366	368	—	—				

[] Designates Metric Conversions



INDOOR AIRFLOW PERFORMANCE—208/230 VOLTS

Nominal Cooling Capacity Tons [kW]	Motor Speed from Factory	Manufacturer Recommended Air-Flow Range CFM		Blower Size/ Motor HP [W] # of Speed	Voltage	Motor Speed	CFM Air Delivery/RPM/Watts											
		Min.	Max.				External Static Pressure—Inches W.C. [kPa]											
							0.1 [0.2]	0.2 [0.05]	0.3 [0.07]	0.4 [1.0]	0.5 [1.2]	0.6 [1.15]	0.7 [1.17]	0.8 [1.20]	0.9 [1.22]	1.0 [1.25]		
3.5 [12.31]	Low (Tap 2) X13 (ECM Motor)	1225	1575	11x9 3/4 hp [559] 2 Speed	208	Low (Tap 2)	CFM	1531 [726]	1477 [697]	1423 [672]	1370 [647]	1316 [621]	1262 [596]	1208 [570]	1154 [545]	1101 [520]	1047 [494]	954
							RPM	602	619	668	715	757	801	844	878	918	954	
							Watts	238	227	236	251	266	281	296	307	320	333	
	High (Tap 1)	CFM	1724 [814]			1678 [792]	1632 [770]	1586 [749]	1540 [727]	1495 [706]	1449 [684]	1403 [662]	1357 [640]	1311 [619]	977			
		RPM	639			671	715	759	794	834	875	911	948	977				
		Watts	295			309	330	348	363	380	397	414	429	440				
4.0 [14.07]	Low (Tap 2) X13 (ECM Motor)	1400	1800	11x9 3/4 hp [559] 2 Speed	230	Low (Tap 2)	CFM	1708 [806]	1658 [782]	1609 [759]	1559 [736]	1510 [713]	1460 [689]	1410 [665]	1361 [642]	1311 [619]	1262 [596]	971
							RPM	619	651	686	741	783	822	859	894	937	971	
							Watts	280	284	298	323	339	355	370	385	402	415	
	High (Tap 1)	CFM	1917 [905]			1872 [883]	1827 [862]	1782 [841]	1736 [819]	1691 [798]	1646 [777]	1601 [756]	1556 [734]	1510 [713]	989			
		RPM	673			702	736	769	818	860	898	928	960	989				
		Watts	377			392	409	426	451	473	490	504	518	531				
5.0 [17.6]	Low (Tap 2) X13 (ECM Motor)	1750	2250	11x9 1 hp [746] 2 Speed	230	Low (Tap 2)	CFM	1701 [803]	1655 [781]	1609 [759]	1563 [738]	1517 [716]	1471 [694]	1425 [673]	1379 [651]	1333 [629]	1287 [607]	970
							RPM	624	648	696	743	787	826	863	895	934	970	
							Watts	280	287	309	328	347	363	380	392	410	426	
	High (Tap 1)	CFM	1921 [907]			1878 [886]	1835 [866]	1792 [846]	1749 [825]	1706 [805]	1663 [785]	1620 [765]	1577 [744]	1534 [724]	994			
		RPM	678			706	738	776	816	865	899	932	967	994				
		Watts	385			400	416	439	458	484	501	517	537	550				
5.0 [17.6]	Low (Tap 2) X13 (ECM Motor)	1750	2250	11x9 1 hp [746] 2 Speed	208	Low (Tap 2)	CFM	1954 [922]	1914 [903]	1874 [884]	1833 [865]	1793 [846]	1753 [827]	1713 [808]	1673 [790]	1632 [770]	1592 [751]	1038
							RPM	719	747	779	818	857	894	928	963	998	1038	
							Watts	439	451	469	491	512	534	553	573	590	611	
	High (Tap 1)	CFM	2173 [1026]			2136 [1008]	2098 [990]	2061 [973]	2024 [955]	1986 [937]	1949 [920]	1911 [902]	1874 [884]	1837 [867]	1050			
		RPM	775			803	830	860	896	928	959	988	1019	1050				
		Watts	604			622	642	663	686	706	727	745	765	784				
5.0 [17.6]	Low (Tap 2) X13 (ECM Motor)	1750	2250	11x9 1 hp [746] 2 Speed	230	Low (Tap 2)	CFM	1986 [937]	1945 [918]	1905 [899]	1864 [880]	1823 [860]	1782 [841]	1741 [822]	1700 [802]	1659 [783]	1618 [764]	1055
							RPM	731	759	792	832	871	909	943	979	1014	1055	
							Watts	446	458	477	499	521	543	562	582	600	621	
	High (Tap 1)	CFM	2229 [1052]			2190 [1034]	2152 [1016]	2114 [998]	2075 [979]	2037 [961]	1999 [943]	1960 [925]	1922 [907]	1884 [889]	1077			
		RPM	795			824	851	882	919	952	983	1013	1045	1077				
		Watts	619			638	658	680	703	724	745	764	784	804				

[] Designates Metric Conversions

INDOOR AIRFLOW PERFORMANCE—208/240 VOLTS

Model	Motor Speed from Factory	Recommended Airflow Range		Voltage	Motor Speed (Tap Setting)	External Static Pressure—Inches W.C. [kPa]												
		Min	Max			0.1 [.02]	0.2 [.05]	0.3 [.07]	0.4 [.10]	0.5 [.12]	0.6 [.15]	0.7 [.17]	0.8 [.20]	0.9 [.22]	1.0 [.25]			
RQRM-A024J	2 X13 (ECM Motor)	700	900	208	Low Speed (Tap 2)	CFM	1070 [505]	960 [453]	860 [406]	760 [359]	680 [321]	610 [288]	550 [260]	—	—	—	—	
					Watts	106	105	105	108	112	118	127	—	—	—	—		
					High Speed (Tap 1)	CFM	1210 [571]	1160 [548]	1110 [524]	1050 [496]	1000 [472]	940 [444]	880 [415]	830 [392]	770 [363]	700 [330]	—	—
					Watts	134	144	154	164	174	185	196	206	217	228	—	—	
RQRM-A030J	2 X13 (ECM Motor)	875	1125	230	Low Speed (Tap 2)	CFM	1080 [510]	960 [453]	860 [406]	770 [363]	690 [326]	620 [293]	570 [269]	—	—	—	—	
					Watts	110	108	108	110	114	120	129	—	—	—	—		
					High Speed (Tap 1)	CFM	1210 [571]	1160 [548]	1120 [529]	1060 [500]	1010 [477]	960 [453]	910 [430]	850 [401]	790 [373]	730 [345]	—	—
					Watts	134	146	158	169	181	193	204	216	227	238	—	—	
RQRM-A036J	2 X13 (ECM Motor)	1050	1350	208	Low Speed (Tap 2)	CFM	1260 [595]	1020 [481]	820 [387]	660 [312]	530 [250]	—	—	—	—	—	—	
					Watts	161	125	101	91	93	—	—	—	—	—	—		
					High Speed (Tap 1)	CFM	1430 [675]	1340 [632]	1260 [595]	1180 [557]	1110 [524]	1040 [491]	980 [463]	920 [434]	870 [411]	820 [387]	—	—
					Watts	208	208	210	214	221	229	239	251	265	281	—	—	
RQRM-A042J	2 X13 (ECM Motor)	1225	1575	230	Low Speed (Tap 2)	CFM	1150 [543]	980 [463]	830 [392]	690 [326]	570 [269]	—	—	—	—	—	—	
					Watts	161	125	101	91	93	—	—	—	—	—	—		
					High Speed (Tap 1)	CFM	1420 [670]	1340 [632]	1260 [595]	1190 [562]	1120 [529]	1060 [500]	1000 [472]	940 [444]	890 [420]	840 [396]	—	—
					Watts	209	210	212	217	224	233	245	259	275	294	—	—	
RQRM-A042J	2 X13 (ECM Motor)	1225	1575	208	Low Speed (Tap 2)	CFM	1360 [642]	1240 [585]	1120 [529]	1020 [481]	930 [439]	840 [396]	770 [363]	720 [340]	—	—	—	
					Watts	158	147	140	136	137	141	150	163	—	—	—		
					High Speed (Tap 1)	CFM	1510 [713]	1440 [680]	1380 [651]	1320 [623]	1270 [599]	1220 [576]	1170 [552]	1120 [529]	1080 [510]	1050 [496]	—	—
					Watts	222	226	231	239	247	258	270	284	299	316	—	—	
RQRM-A042J	2 X13 (ECM Motor)	1225	1575	230	Low Speed (Tap 2)	CFM	1360 [642]	1240 [585]	1130 [533]	1030 [486]	940 [444]	860 [406]	790 [373]	730 [345]	—	—	—	
					Watts	158	147	140	136	137	141	150	163	—	—	—		
					High Speed (Tap 1)	CFM	1510 [713]	1450 [684]	1390 [656]	1330 [628]	1280 [604]	1240 [585]	1190 [562]	1150 [543]	1110 [524]	1080 [510]	—	—
					Watts	210	221	232	244	256	269	282	295	309	323	—	—	
RQRM-A042J	2 X13 (ECM Motor)	1225	1575	208	Low Speed (Tap 2)	CFM	1440 [680]	1390 [656]	1330 [628]	1280 [604]	1230 [581]	1190 [562]	1140 [538]	1100 [519]	1060 [500]	1020 [481]		
					Watts	209	224	239	253	267	280	293	306	319	332	—	—	
					High Speed (Tap 1)	CFM	1640 [774]	1600 [755]	1550 [732]	1510 [713]	1470 [694]	1420 [670]	1380 [651]	1340 [632]	1300 [614]	1250 [590]	—	—
					Watts	286	307	327	346	365	382	399	415	430	444	—	—	
RQRM-A042J	2 X13 (ECM Motor)	1225	1575	230	Low Speed (Tap 2)	CFM	1440 [680]	1390 [656]	1340 [632]	1280 [604]	1240 [585]	1190 [562]	1140 [538]	1100 [519]	1060 [500]	1020 [481]		
					Watts	215	229	243	257	272	286	301	315	330	345	—	—	
					High Speed (Tap 1)	CFM	1640 [774]	1600 [755]	1560 [736]	1520 [717]	1480 [699]	1430 [675]	1390 [656]	1350 [637]	1310 [618]	1260 [595]	—	—
					Watts	295	312	329	347	366	384	404	423	443	463	—	—	

[] Designates Metric Conversions



INDOOR AIRFLOW PERFORMANCE—208/240 VOLTS

Model	Motor Speed from Factory	Recommended Airflow Range		Voltage	Motor Speed (Tap Setting)	External Static Pressure—Inches W.C. [kPa]										
		Min	Max			0.1 [0.02]	0.2 [0.05]	0.3 [0.07]	0.4 [0.10]	0.5 [0.12]	0.6 [0.15]	0.7 [0.17]	0.8 [0.20]	0.9 [0.22]	1.0 [0.25]	
RQRM-A048J	2 X13 (ECM Motor)	1400	1800	208	Low Speed (Tap 2)	CFM 1600 [755]	1550 [732]	1510 [713]	1460 [689]	1420 [670]	1380 [651]	1340 [632]	1300 [614]	1260 [595]	1230 [581]	
					Watts	226	241	257	273	289	305	321	338	355	372	
					High Speed (Tap 1)	CFM 1840 [868]	1810 [854]	1770 [835]	1740 [821]	1700 [802]	1660 [784]	1620 [765]	1570 [741]	1530 [722]	1480 [699]	
	230	Low Speed (Tap 2)	CFM 1600 [755]	1550 [732]	1510 [713]	1470 [694]	1430 [675]	1390 [656]	1350 [637]	1310 [618]	1270 [599]	1240 [585]				
		Watts	226	241	257	273	289	305	321	338	355	372				
		High Speed (Tap 1)	CFM 1840 [868]	1810 [854]	1780 [840]	1740 [821]	1710 [807]	1670 [788]	1630 [769]	1590 [750]	1550 [732]	1510 [713]				
RQRM-A060J	1 X13 (ECM Motor)	1225	1575	208	1st Stage Low Speed (Tap 1)	CFM 1430 [675]	1370 [647]	1310 [618]	1260 [595]	1200 [566]	1150 [543]	1100 [519]	1060 [500]	1020 [481]	980 [463]	
					Watts	200	213	225	238	251	263	276	289	302	315	
					1st Stage High Speed (Tap 2)	CFM 1560 [736]	1510 [713]	1470 [694]	1420 [670]	1380 [651]	1340 [632]	1290 [609]	1250 [590]	1210 [571]	1170 [552]	
	3 X13 (ECM Motor)	1650	2200	208	2nd Stage Low Speed (Tap 3)	CFM 1710 [807]	1670 [788]	1620 [765]	1580 [746]	1530 [722]	1490 [703]	1450 [684]	1400 [661]	1360 [642]	1320 [623]	
					Watts	322	338	354	370	386	403	419	436	453	470	
					2nd Stage Med. Speed (Tap 4)	CFM 1900 [897]	1870 [883]	1830 [864]	1790 [845]	1750 [826]	1710 [807]	1670 [788]	1620 [765]	1580 [746]	1530 [722]	
	1 X13 (ECM Motor)	1225	1575	230	2nd Stage High Speed (Tap 5)	CFM 2100 [991]	2060 [972]	2030 [958]	1990 [939]	1950 [920]	1910 [902]	1870 [883]	1840 [868]	1800 [850]	1760 [831]	
					Watts	594	610	626	643	659	676	692	709	725	742	
					1st Stage Low Speed (Tap 1)	CFM 1430 [675]	1370 [647]	1310 [618]	1260 [595]	1200 [566]	1160 [548]	1110 [524]	1060 [500]	1020 [481]	990 [467]	
	3 X13 (ECM Motor)	1650	2200	230	1st Stage High Speed (Tap 2)	CFM 1560 [736]	1520 [717]	1470 [694]	1430 [675]	1380 [651]	1340 [632]	1300 [614]	1260 [595]	1220 [576]	1180 [557]	
					Watts	255	272	288	305	320	335	349	363	377	390	
					2nd Stage Low Speed (Tap 3)	CFM 1720 [812]	1670 [788]	1630 [769]	1590 [750]	1550 [732]	1500 [708]	1460 [689]	1420 [670]	1380 [651]	1340 [632]	
1 X13 (ECM Motor)	1225	1575	230	2nd Stage Med. Speed (Tap 4)	CFM 1910 [902]	1870 [883]	1840 [868]	1800 [850]	1760 [831]	1720 [812]	1680 [793]	1640 [774]	1590 [750]	1550 [732]		
				Watts	452	468	484	501	518	535	553	572	590	610		
				2nd Stage High Speed (Tap 5)	CFM 2120 [1001]	2080 [982]	2050 [968]	2010 [949]	1980 [935]	1940 [916]	1900 [897]	1860 [878]	1820 [859]	1780 [840]		
1 X13 (ECM Motor)	1225	1575	230	Watts	599	618	636	655	674	692	711	730	748	767		

[] Designates Metric Conversions



ELECTRICAL DATA – RQNM SERIES

		-A024JK	-A030JK	-A036CK	-A036JK	-A042CK	-A042JK	-A048CK	-A048JK	-A060CK	-A060JK
Unit Information	Unit Operating Voltage Range	187-253	187-253	187-253	187-253	187-253	187-253	187-253	187-253	187-253	187-253
	Minimum Circuit Ampacity	20/20	21/21	17/17	25/25	23/23	33/33	23/23	33/33	31/31	41/41
	Minimum Overcurrent Protection Device Size	25/25	25/25	20/20	30/30	30/30	40/40	30/30	40/40	35/35	50/50
	Maximum Overcurrent Protection Device Size	30/30	35/35	25/25	40/40	35/35	50/50	35/35	50/50	45/45	60/60
Compressor Motor	No.	1	1	1	1	1	1	1	1	1	1
	Volts	208/230	208/230	208/230	208/230	208/230	208/230	208/230	208/230	208/230	208/230
	Phase	1	1	3	1	3	1	3	1	3	1
	HP	2	2.5	3	3	3.5	3.5	4	4	4.5	4.5
	RPM	3450	3450	3450	3450	3450	3450	3450	3450	3450	3450
	Amps (RLA)	13.5/13.5	14.1/14.1	10.4/10.4	16.7/16.7	14.1/14.1	21.8/21.8	13.7/13.7	21.8/21.8	17.9/17.9	26.4/26.4
	Amps (LRA)	58.3/58.3	73/73	88/88	79/79	95/95	112/112	83.1/83.1	117/117	120/120	150/150
Condenser Motor	No.	1	1	1	1	1	1	1	1	1	1
	Volts	208/230	208/230	208/230	208/230	208/230	208/230	208/230	208/230	208/230	208/230
	Phase	1	1	1	1	1	1	1	1	1	1
	HP	1/3	1/3	1/3	1/3	1/3	1/3	1/3	1/3	1/3	1/3
	Amps (FLA)	1.5	1.5	1.5	1.5	1.9	1.9	1.9	1.9	1.9	1.9
	Amps (LRA)	3	3	3	3	4	4	4	4	4	4
Evaporator Fan	No.	1	1	1	1	1	1	1	1	1	1
	Volts	208/230	208/230	208/230	208/230	208/230	208/230	208/230	208/230	208/230	208/230
	Phase	1	1	1	1	1	1	1	1	1	1
	HP	1/4	1/3	1/2	1/2	1/2	1/2	3/4	3/4	3/4	3/4
	Amps (FLA)	1.5	1.7	2.5	2.5	2.7	2.7	3.2	3.2	5.8	5.8
	Amps (LRA)	2.6	2.6	5	5	4.6	4.6	4.4	4.4	11.3	11.3

ELECTRICAL DATA – RQPM SERIES

		-A024JK	-A030JK	-A036CK	-A036JK	-A037CK	-A037JK	-A042CK	-A042JK
Unit Information	Unit Operating Voltage Range	187-253	187-253	187-253	187-253	187-253	187-253	187-253	187-253
	Minimum Circuit Ampacity	23/23	21/21	19/19	27/27	19/19	27/27	26/26	36/36
	Minimum Overcurrent Protection Device Size	30/30	30/30	25/25	35/35	25/25	35/35	30/30	45/45
	Maximum Overcurrent Protection Device Size	35/35	35/35	25/25	40/40	25/25	40/40	35/35	50/50
Compressor Motor	No.	1	1	1	1	1	1	1	1
	Volts	208/230	208/230	208/230	208/230	208/230	208/230	208/230	208/230
	Phase	1	1	3	1	3	1	3	1
	HP	2	2.5	3	3	3	3	3.5	3.5
	RPM	3450	3450	3450	3450	3450	3450	3450	3450
	Amps (RLA)	13.5/13.5	14.1/14.1	10.4/10.4	16.7/16.7	10.4/10.4	16.7/16.7	14.1/14.1	21.8/21.8
	Amps (LRA)	58.3/58.3	73/73	88/88	79/79	88/88	79/79	95/95	112/112
Condenser Motor	No.	1	1	1	1	1	1	1	1
	Volts	208/230	208/230	208/230	208/230	208/230	208/230	208/230	208/230
	Phase	1	1	1	1	1	1	1	1
	HP	1/3	1/3	1/3	1/3	1/3	1/3	1/3	1/3
	Amps (FLA)	1.5	1.5	1.5	1.5	1.5/1.5	1.5/1.5	1.9	1.9
	Amps (LRA)	3	3	3	3	3/3	3/3	4	4
Evaporator Fan	No.	1	1	1	1	1	1	1	1
	Volts	208/230	208/230	208/230	208/230	208/230	208/230	208/230	208/230
	Phase	1	1	1	1	1	1	1	1
	HP	1/2	1/2	1/2	1/2	1/2	1/2	3/4	3/4
	Amps (FLA)	4.1	4.1	4.1	4.1	4.1/4.1	4.1/4.1	6	6

ELECTRICAL DATA – RQPM SERIES

		-A043CK	-A043JK	-A048CK	-A048JK	-A049CK	-A049JK	-A060CK	-A060JK
Unit Information	Unit Operating Voltage Range	187-253	187-253	187-253	187-253	187-253	187-253	187-253	187-253
	Minimum Circuit Ampacity	25/25	31/31	26/26	36/36	26/26	36/36	32/32	43/43
	Minimum Overcurrent Protection Device Size	25/25	35/35	30/30	45/45	30/30	45/45	40/40	50/50
	Maximum Overcurrent Protection Device Size	35/35	45/45	35/35	50/50	35/35	50/50	45/45	60/60
Compressor Motor	No.	1	1	1	1	1	1	1	1
	Volts	208/230	208/230	208/230	208/230	208/230	208/230	208/230	208/230
	Phase	3	1	3	1	3	1	3	1
	HP	3450	3450	4	4	3450	3450	4.5	4.5
	RPM	3 1/2	3 1/2	3450	3450	4	4	3450	3450
	Amps (RLA)	13.5/13.5	17.9/17.9	13.7/13.7	21.8/21.8	13.7/13.7	21.8/21.8	17.9/17.9	26.4/26.4
	Amps (LRA)	88/88	112/112	110/110	117/117	110/110	117/117	120/120	150/150
Condenser Motor	No.	1	1	1	1	1	1	1	1
	Volts	208/230	208/230	208/230	208/230	208/230	208/230	208/230	208/230
	Phase	1	1	1	1	1	1	1	1
	HP	1/3	1/3	1/3	1/3	1/3	1/3	1/3	1/3
	Amps (FLA)	1.9/1.9	1.9/1.9	1.9	1.9	1.9/1.9	1.9/1.9	1.9	1.9
	Amps (LRA)	4/4	4/4	4	4	4/4	4/4	4	4
Evaporator Fan	No.	1	1	1	1	1	1	1	1
	Volts	208/230	208/230	208/230	208/230	208/230	208/230	208/230	208/230
	Phase	1	1	1	1	1	1	1	1
	HP	3/4	3/4	3/4	3/4	3/4	3/4	1	1
	Amps (FLA)	6/6	6/6	6	6	6/6	6/6	7.6	7.6

ELECTRICAL DATA – RQRM SERIES

		-A024JK	-A030JK	-A036JK	-A042JK	-A048JK	-A060JK
Unit Information	Unit Operating Voltage Range	187-253	187-253	187-253	187-253	187-253	197-253
	Volts	208/230	208/230	208/230	208/230	208/230	208/230
	Minimum Circuit Ampacity	23/23	22/22	24/24	31/31	33/33	46/46
	Minimum Overcurrent Protection Device Size	30/30	25/25	30/30	35/35	40/40	60/60
	Maximum Overcurrent Protection Device Size	35/35	30/30	35/35	45/45	50/50	60/60
Compressor Motor	No.	1	1	1	1	1	1
	Volts	208/230	208/230	208/230	208/230	208/230	208/230
	Phase	1	1	1	1	1	1
	RPM	3450	3450	3450	3450	3450	3450
	HP, Compressor 1	2	2 1/2	3	3 1/2	4	5
	Amps (RLA), Comp. 1	13.5/13.5	12.8/12.8	14.1/14.1	17.9/17.9	19.9/19.9	28.8/28.8
	Amps (LRA), Comp. 1	58.3/58.3	64/64	77/77	112/112	109/109	152.9/152.9
Condenser Motor	No.	1	1	1	1	1	1
	Volts	208/230	208/230	208/230	208/230	208/230	208/230
	Phase	1	1	1	1	1	1
	HP	1/3	1/3	1/3	1/3	1/3	1/3
	Amps (FLA, each)	1.5/1.5	1.5/1.5	1.5/1.5	1.9/1.9	1.9/1.9	1.9/1.9
	Amps (LRA, each)	3/3	3/3	3/3	4/4	4/4	4/4
Evaporator Fan	No.	1	1	1	1	1	1
	Volts	208/230	208/230	208/230	208/230	208/230	208/230
	Phase	1	1	1	1	1	1
	HP	1/2	1/2	1/2	3/4	3/4	1
	Amps (FLA, each)	4.1/4.1	4.1/4.1	4.1/4.1	6/6	6/6	7.6/7.6
	Amps (LRA, each)	0/0	0/0	0/0	0/0	0/0	0/0

208-240 VOLT, SINGLE PHASE, 60 HZ, AUXILIARY ELECTRIC HEATER KITS CHARACTERISTICS AND APPLICATION

Single Power Supply For Both Unit and Heater Kit										Separate Power Supply For Both Unit and Heater Kit										
Unit Model No. RQNM-	Heater Kit					Heat Pump					Heater Kit					Heat Pump				
	RXQJ-Heater Kit Nominal kW	No. of Elements	No. of Sequence Steps	Rated Heater kW @ 208-240 V	Heater KBTU/Hr @ 208-240 V	Heater Amp. @ 208-240 V	Unit Min. Ckt. Ampacity @ 208-240 V	Over Current Protective Device Size Min./Max. @ 208 V	Min. Circuit Ampacity 208-240 V	Max. Fuse Size	Min. Ckt. Ampacity	Over Current Protective Device Size Min./Max. @ 240 V	Min. Circuit Ampacity 208-240 V	Max. Fuse Size	Min. Ckt. Ampacity	Over Current Protective Device Size Min./Max. @ 208 V	Min. Circuit Ampacity 208-240 V	Max. Fuse Size	Min. Ckt. Ampacity	Over Current Protective Device Size Min./Max. @ 240 V
A024J	No Heat	—	—	—	—	—	20/20	25/30	20/20	—	25/30	25/30	20/20	—	25/30	25/30	—	25/25	22/25	25/30
	C05J	1	1	3.6/4.8	12.28/16.38	17.33/20	42/45	45/50	42/45	26/30	45/50	45/50	—	25/25	—	—	25/25	33/38	—	—
	C07J	1	1	5.4/7.2	18.42/24.56	26/30	53/58	60/60	53/58	34.7/40	60/60	60/60	—	35/40	—	—	35/40	—	—	—
A030J	C10J	2	1	7.2/9.6	24.57/32.76	34.7/40	64/70	70/70	64/70	—	70/70	70/70	—	45/50	—	—	45/50	—	—	—
	No Heat	—	—	—	—	—	21/21	25/35	21/21	—	25/35	25/35	21/21	—	25/35	25/35	—	25/25	22/25	25/35
	C05J	1	1	3.6/4.8	12.28/16.38	17.33/20	43/46	45/50	43/46	26/30	45/50	45/50	—	35/40	—	—	35/40	—	—	—
A036J	C07J	1	1	5.4/7.2	18.42/24.56	34.7/40	55/71	60/60	55/71	34.7/40	60/60	60/60	—	44/50	—	—	44/50	—	—	—
	C10J	2	1	7.2/9.6	24.57/32.76	34.7/40	65/71	70/70	65/71	52/60	70/70	70/70	—	45/50	—	—	45/50	—	—	—
	C15J	3	2	10.8/14.4	36.85/49.13	52/60	86/96	90/90	86/96	69.33/80	90/90	100/100	—	70/80	—	—	70/80	—	—	—
A042J	C20J	4	2	14.4/19.2	49.12/65.52	69.33/80	112/125	125/125	112/125	—	125/125	125/125	—	90/100	—	—	90/100	—	—	—
	No Heat	—	—	—	—	—	25/25	30/40	25/25	—	30/40	30/40	25/25	—	30/40	30/40	—	25/25	22/25	30/40
	C05J	1	1	3.6/4.8	12.28/16.38	17.33/20	47/50	50/50	47/50	26/30	50/50	60/60	—	35/40	—	—	35/40	—	—	—
A048J	C07J	1	1	5.4/7.2	18.42/24.56	34.7/40	58/63	60/60	58/63	34.7/40	60/60	70/70	—	45/50	—	—	45/50	—	—	—
	C10J	2	1	7.2/9.6	24.57/32.76	34.7/40	69/75	80/80	69/75	52/60	80/80	80/80	—	45/50	—	—	45/50	—	—	—
	C15J	3	2	10.8/14.4	36.85/49.13	52/60	90/100	100/100	90/100	69.33/80	100/100	110/110	—	70/80	—	—	70/80	—	—	—
A060J	C20J	4	2	14.4/19.2	49.12/65.52	69.33/80	112/133	125/125	112/133	—	125/125	150/150	—	90/100	—	—	90/100	—	—	—
	No Heat	—	—	—	—	—	33/33	40/50	33/33	—	40/50	40/50	33/33	—	40/50	40/50	—	25/25	22/25	40/50
	C05J	1	1	3.6/4.8	12.28/16.38	17.33/20	55/58	60/70	55/58	26/30	60/70	60/70	—	35/40	—	—	35/40	—	—	—
A060J	C07J	1	1	5.4/7.2	18.42/24.56	34.7/40	65/70	70/80	65/70	34.7/40	70/80	70/80	—	45/50	—	—	45/50	—	—	—
	C10J	2	1	7.2/9.6	24.57/32.76	34.7/40	76/83	80/80	76/83	52/60	80/80	80/80	—	45/50	—	—	45/50	—	—	—
	C15J	3	2	10.8/14.4	36.85/49.13	52/60	98/108	100/100	98/108	69.33/80	100/100	110/110	—	70/80	—	—	70/80	—	—	—
A060J	C20J	4	2	14.4/19.2	49.12/65.52	69.33/80	120/133	125/125	120/133	—	125/125	150/150	—	90/100	—	—	90/100	—	—	—
	No Heat	—	—	—	—	—	41/41	50/60	41/41	—	50/60	50/60	41/41	—	50/60	50/60	—	25/25	22/25	50/60
	C05J	1	1	3.6/4.8	12.28/16.38	17.33/20	63/66	80/80	63/66	26/30	80/80	80/80	—	35/40	—	—	35/40	—	—	—
A060J	C07J	1	1	5.4/7.2	18.42/24.56	34.7/40	74/79	90/90	74/79	34.7/40	90/90	90/90	—	45/50	—	—	45/50	—	—	—
	C10J	2	1	7.2/9.6	24.57/32.76	34.7/40	85/91	100/100	85/91	52/60	100/100	100/100	—	45/50	—	—	45/50	—	—	—
	C15J	3	2	10.8/14.4	36.85/49.13	52/60	106/116	110/110	106/116	69.33/80	110/110	125/125	—	70/80	—	—	70/80	—	—	—
A060J	C20J	4	2	14.4/19.2	49.12/65.52	69.33/80	128/141	150/150	128/141	—	150/150	150/150	—	90/100	—	—	90/100	—	—	—



Air

Electric Heater Kits
RQNM Series

208-240 VOLT, THREE PHASE, 60 HZ, AUXILIARY ELECTRIC HEATER KITS CHARACTERISTICS AND APPLICATION

Separate Power Supply For Both Unit and Heater Kit

Unit Model No. RQNM-	Single Power Supply For Both Unit and Heater Kit										Separate Power Supply For Both Unit and Heater Kit			
	Heater Kit					Heat Pump					Heater Kit		Heat Pump	
	RXQJ-Heater Kit Nominal kW	No. of Elements	No. of Sequence Steps	Rated Heater kW @ 208-240 V	Heater KBTU/Hr @ 208-240 V	Heater Amp. @ 208-240 V	Unit Min. Ckt. Ampacity @ 208-240 V	Over Current Protective Device Size Min./Max. @ 208 V	Over Current Protective Device Size Min./Max. @ 240 V	Min. Ckt. Ampacity 208-240 V	Max. Fuse Size	Min. Circuit Ampacity 208-240 V	Over Current Protective Device Size Min./Max. @ 208 V	Over Current Protective Device Size Min./Max. @ 240 V
A036C	No Heat C10C C15C	— 2 3	— 1 2	— 7.2/9.6 10.8/14.4	— 24.57/32.76 36.85/49.13	— 20/23.1 30.1/34.7	17/17 42/46 55/61	20/25 45/45 60/60	20/25 50/50 70/70	— 25/29 38/44	— 25/30 40/45	17/17 — —	20/25 — —	20/25 — —
A042C	No Heat C10C C15C C20C	— 2 3 4	— 1 2 2	— 7.2/9.6 10.8/14.4 14.4/19.2	— 24.57/32.76 36.85/49.13 49.12/65.52	— 20/23.1 30.1/34.7 40/46.3	23/23 48/52 61/66 73/81	30/35 50/50 70/70 80/80	30/35 60/60 70/70 90/90	— 25/29 38/44 50/58	— 25/30 40/45 50/60	23/23 — — —	30/35 — — —	30/35 — — —
A048C	No Heat C10C C15C C20C	— 2 3 4	— 1 2 2	— 7.2/9.6 10.8/14.4 14.4/19.2	— 24.57/32.76 36.85/49.13 49.12/65.52	— 20/23.1 30.1/34.7 40/46.3	23/23 48/52 60/66 73/81	30/35 50/50 60/60 80/80	30/35 60/60 70/70 90/90	— 25/29 38/44 50/58	— 25/30 40/45 50/60	23/23 — — —	30/35 — — —	30/35 — — —
A060C	No Heat C10C C15C C20C	— 2 3 4	— 1 2 2	— 7.2/9.6 10.8/14.4 14.4/19.2	— 24.57/32.76 36.85/49.13 49.12/65.52	— 20/23.1 30.1/34.7 40/46.3	31/31 56/59 69/74 81/88	35/45 60/60 70/70 90/90	35/45 60/70 80/80 90/90	— 25/29 38/44 50/58	— 25/30 40/45 50/60	31/31 — — —	35/45 — — —	35/45 — — —



208-240 VOLT, SINGLE PHASE, 60 HZ, AUXILIARY ELECTRIC HEATER KITS CHARACTERISTICS AND APPLICATION

Separate Power Supply For Both Unit and Heater Kit												
Unit Model No. RQPM-	Single Power Supply For Both Unit and Heater Kit						Separate Power Supply For Both Unit and Heater Kit					
	Heater Kit			Heat Pump			Heater Kit			Heat Pump		
	RXQJ-Heater Kit Nominal kW	No. of Elements	No. of Sequence Steps	Rated Heater kW @ 208-240 V	Heater KBTU/Hr @ 208-240 V	Heater Amp. @ 208-240 V	Unit Min. Ckt. Ampacity @ 208-240 V	Over Current Protective Device Size Min./Max. @ 208 V	Min. Circuit Ampacity 208-240 V	Max. Fuse Size	Min. Ckt. Ampacity	Over Current Protective Device Size Min./Max. @ 240 V
A024J	No Heat	—	—	—	—	23/23	30/35	23/23	—	—	30/35	30/35
	C05J	1	1	3.6/4.8	12.28/16.38	17.33/20	45/48	45/50	22/25	25/25	—	—
	C07J	1	1	5.4/7.2	18.42/24.56	26/30	55/60	60/60	33/38	35/40	—	—
A030J	C10J	2	1	7.2/9.6	24.57/32.76	34.7/40	66/73	70/70	44/50	45/50	—	—
	No Heat	—	—	—	—	24/24	30/35	24/24	—	—	30/35	30/35
	C05J	1	1	3.6/4.8	12.28/16.38	17.33/20	45/49	45/50	22/25	25/25	—	—
A036J	C07J	1	1	5.4/7.2	18.42/24.56	26/30	56/61	60/60	33/38	35/40	—	—
	C10J	2	1	7.2/9.6	24.57/32.76	34.7/40	67/74	70/70	44/50	45/50	—	—
	C15J	3	2	10.8/14.4	36.85/49.13	52/60	89/99	90/90	65/75	70/80	—	—
A037J	C20J	4	2	14.4/19.2	49.12/65.52	69.33/80	114/127	125/125	87/100	90/100	—	—
	No Heat	—	—	—	—	27/27	35/40	27/27	—	—	35/40	35/40
	C05J	1	1	3.6/4.8	12.28/16.38	17.33/20	49/52	50/60	22/25	25/25	—	—
A042J	C07J	1	1	5.4/7.2	18.42/24.56	26/30	59/64	60/60	33/38	35/40	—	—
	C10J	2	1	7.2/9.6	24.57/32.76	34.7/40	70/77	70/70	44/50	45/50	—	—
	C15J	3	2	10.8/14.4	36.85/49.13	52/60	92/102	100/100	65/75	70/80	—	—
A043J	C20J	4	2	14.4/19.2	49.12/65.52	69.33/80	112/136	125/125	87/100	90/100	—	—
	No Heat	—	—	—	—	36/36	45/50	36/36	—	—	45/50	45/50
	C05J	1	1	3.6/4.8	12.28/16.38	17.33/20	47/61	60/60	22/25	25/25	—	—
A048J	C07J	1	1	5.4/7.2	18.42/24.56	26/30	68/73	70/70	33/38	35/40	—	—
	C10J	2	1	7.2/9.6	24.57/32.76	34.7/40	79/86	80/80	44/50	45/50	—	—
	C15J	3	2	10.8/14.4	36.85/49.13	52/60	101/111	110/110	65/75	70/80	—	—
A049J	C20J	4	2	14.4/19.2	49.12/65.52	69.33/80	118/131	125/125	87/100	90/100	—	—
	No Heat	—	—	—	—	36/36	45/50	36/36	—	—	45/50	45/50
	C05J	1	1	3.6/4.8	12.28/16.38	17.33/20	53/56	60/60	22/25	25/25	—	—
A060J	C07J	1	1	5.4/7.2	18.42/24.56	26/30	65/69	70/70	33/38	35/40	—	—
	C10J	2	1	7.2/9.6	24.57/32.76	34.7/40	75/81	80/80	44/50	45/50	—	—
	C15J	3	2	10.8/14.4	36.85/49.13	52/60	96/106	100/100	65/75	70/80	—	—
A060J	C20J	4	2	14.4/19.2	49.12/65.52	69.33/80	122/136	125/125	87/100	90/100	—	—
	No Heat	—	—	—	—	43/43	50/60	43/43	—	—	50/60	50/60
	C05J	1	1	3.6/4.8	12.28/16.38	17.33/20	65/68	80/80	22/25	25/25	—	—
A060J	C07J	1	1	5.4/7.2	18.42/24.56	26/30	75/80	90/90	33/38	35/40	—	—
	C10J	2	1	7.2/9.6	24.57/32.76	34.7/40	86/93	90/100	44/50	45/50	—	—
	C15J	3	2	10.8/14.4	36.85/49.13	52/60	108/118	110/110	65/75	70/80	—	—
A060J	C20J	4	2	14.4/19.2	49.12/65.52	69.33/80	130/143	150/150	87/100	90/100	—	—
	No Heat	—	—	—	—	43/43	50/60	43/43	—	—	50/60	50/60
	C05J	1	1	3.6/4.8	12.28/16.38	17.33/20	65/68	80/80	22/25	25/25	—	—



208-240 VOLT, THREE PHASE, 60 HZ, AUXILIARY ELECTRIC HEATER KITS CHARACTERISTICS AND APPLICATION

Separate Power Supply For Both Unit and Heater Kit												
Unit Model No. RQPM-	Single Power Supply For Both Unit and Heater Kit						Separate Power Supply For Both Unit and Heater Kit					
	Heater Kit			Heat Pump			Heater Kit			Heat Pump		
	RXQJ-Heater Kit Nominal kW	No. of Elements	No. of Sequence Steps	Rated Heater kW @ 208-240 V	Heater KBTU/Hr @ 208-240 V	Heater Amp. @ 208-240 V	Unit Min. Ckt. Ampacity @ 208-240 V	Over Current Protective Device Size Min./Max. @ 208 V	Min. Circuit Ampacity 208-240 V	Max. Fuse Size	Min. Ckt. Ampacity	Over Current Protective Device Size Min./Max. @ 240 V
A036C A037C	No Heat	—	—	—	—	—	19/19	25/25	—	—	19/19	25/25
	C10C	2	1	7.2/9.6	24.57/32.76	20/23.1	44/48	45/45	25/30	25/29	—	—
	C15C	3	2	10.8/14.4	36.85/49.13	30.1/34.7	57/61	60/60	40/45	38/44	—	—
A042C	No Heat	—	—	—	—	—	26/26	30/35	—	—	26/26	30/35
	C10C	2	1	7.2/9.6	24.57/32.76	20/23.1	51/55	60/60	25/30	25/29	—	—
	C15C	3	2	10.8/14.4	36.85/49.13	30.1/34.7	64/69	70/70	40/45	38/44	—	—
	C20C	4	2	14.4/19.2	49.12/65.52	40/46.3	76/84	80/80	50/60	50/58	—	—
A043C	No Heat	—	—	—	—	—	25/25	35/35	—	—	25/25	30/35
	C10C	2	1	7.2/9.6	24.57/32.76	20/23.1	50/54	50/50	25/30	25/29	—	—
	C15C	3	2	10.8/14.4	36.85/49.13	30.1/34.7	63/69	70/70	40/45	38/44	—	—
	C20C	4	2	14.4/19.2	49.12/65.52	40/46.3	75/83	80/80	50/60	50/58	—	—
A048C A049C	No Heat	—	—	—	—	—	26/26	30/35	—	—	26/26	30/35
	C10C	2	1	7.2/9.6	24.57/32.76	20/23.1	51/54	60/60	25/30	25/29	—	—
	C15C	3	2	10.8/14.4	36.85/49.13	30.1/34.7	63/69	70/70	40/45	38/44	—	—
	C20C	4	2	14.4/19.2	49.12/65.52	40/46.3	76/83	80/80	50/60	50/58	—	—
A060C	No Heat	—	—	—	—	—	32/32	40/45	—	—	32/32	40/45
	C10C	2	1	7.2/9.6	24.57/32.76	20/23.1	57/61	60/60	25/30	25/29	—	—
	C15C	3	2	10.8/14.4	36.85/49.13	30.1/34.7	69/76	70/70	40/45	38/44	—	—
	C20C	4	2	14.4/19.2	49.12/65.52	40/46.3	82/90	90/90	50/60	50/58	—	—



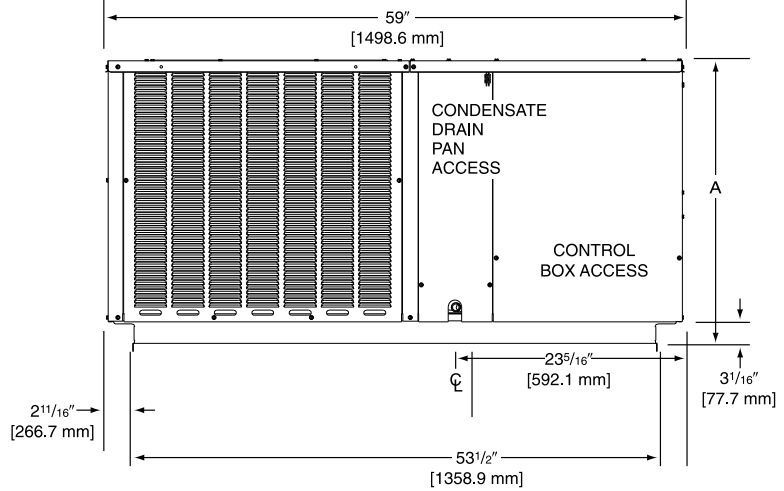
208-240 VOLT, SINGLE PHASE, 60 HZ, AUXILIARY ELECTRIC HEATER KITS CHARACTERISTICS AND APPLICATION

Unit Model No. RQRM-	Heater Kit Model No. RXQJ-	Heater kW @ 208/240 V	Heater Kit FLA	Unit Min. Ckt. Ampacity	Max. Fuse or Ckt. Bkr. Size (Ckt. Bkr. Must be HACR Type for USA)	Heater Kit Min. Ckt. Ampacity	Heater Kit Max. Fuse (Ckt. Bkr. Must be HACR Type for USA)	Heat Pump Min. Ckt. Ampacity	Heat Pump Max. Fuse or Ckt. Bkr. Size (Ckt. Bkr. Must be HACR Type for USA)
A024JK	NONE	—	—	23/23	35/35	—	—	23/23	35/35
	C05J	3.6/4.8	17.3/20	45/48	50/50	22/25	25/25	23/23	35/35
	C07J	5.4/7.2	26/30	56/61	60/70	33/38	35/40	23/23	35/35
	C10J	7.2/9.6	34.7/40	67/73	70/80	44/50	45/50	23/23	35/35
A030JK	C15J	10.8/14.4	52/60	88/98	90/100	65/75	70/80	23/23	35/35
	NONE	—	—	22/22	30/30	—	—	22/22	30/30
	C05J	3.6/4.8	17.3/20	44/47	50/50	22/25	25/25	22/22	30/30
	C07J	5.4/7.2	26/30	55/60	60/70	33/38	35/40	22/22	30/30
A036JK	C10J	7.2/9.6	34.7/40	66/72	70/80	44/50	45/50	22/22	30/30
	C15J	10.8/14.4	52/60	87/97	90/100	65/75	70/80	22/22	30/30
	NONE	—	—	24/24	35/35	—	—	24/24	35/35
	C05J	3.6/4.8	17.3/20	46/49	50/50	22/25	25/25	24/24	35/35
A042JK	C07J	5.4/7.2	26/30	57/62	60/70	33/38	35/40	24/24	35/35
	C10J	7.2/9.6	34.7/40	68/74	70/80	44/50	45/50	24/24	35/35
	C15J	10.8/14.4	52/60	89/99	90/100	65/75	70/80	24/24	35/35
	C20J	14.4/19.2	69.3/80	118/131	125/150	87/100	90/100	24/24	35/35
A048JK	NONE	—	—	31/31	45/45	—	—	31/31	45/45
	C05J	3.6/4.8	17.3/20	53/56	60/60	22/25	25/25	31/31	45/45
	C07J	5.4/7.2	26/30	64/69	70/70	33/38	35/40	31/31	45/45
	C10J	7.2/9.6	34.7/40	75/81	80/90	44/50	45/50	31/31	45/45
A060JK	C15J	10.8/14.4	52/60	96/106	100/110	65/75	70/80	31/31	45/45
	C20J	14.4/19.2	69.3/80	118/131	125/150	87/100	90/100	31/31	45/45
	NONE	—	—	33/33	50/50	—	—	33/33	50/50
	C05J	3.6/4.8	17.3/20	55/58	60/70	22/25	25/25	33/33	50/50
A060JK	C07J	5.4/7.2	26/30	66/71	70/80	33/38	35/40	33/33	50/50
	C10J	7.2/9.6	34.7/40	77/83	80/90	44/50	45/50	33/33	50/50
	C15J	10.8/14.4	52/60	98/108	100/110	65/75	70/80	33/33	50/50
	C20J	14.4/19.2	69.3/80	120/133	125/150	87/100	90/100	33/33	50/50
A060JK	NONE	—	—	46/46	60/60	—	—	46/46	60/60
	C05J	3.6/4.8	17.3/20	68/71	90/90	22/25	25/25	46/46	60/60
	C07J	5.4/7.2	26/30	79/84	100/100	33/38	35/40	46/46	60/60
	C10J	7.2/9.6	34.7/40	90/96	100/110	44/50	45/50	46/46	60/60
A060JK	C15J	10.8/14.4	52/60	111/121	125/125	65/75	70/80	46/46	60/60
	C20J	14.4/19.2	69.3/80	133/146	150/150	87/100	90/100	46/46	60/60

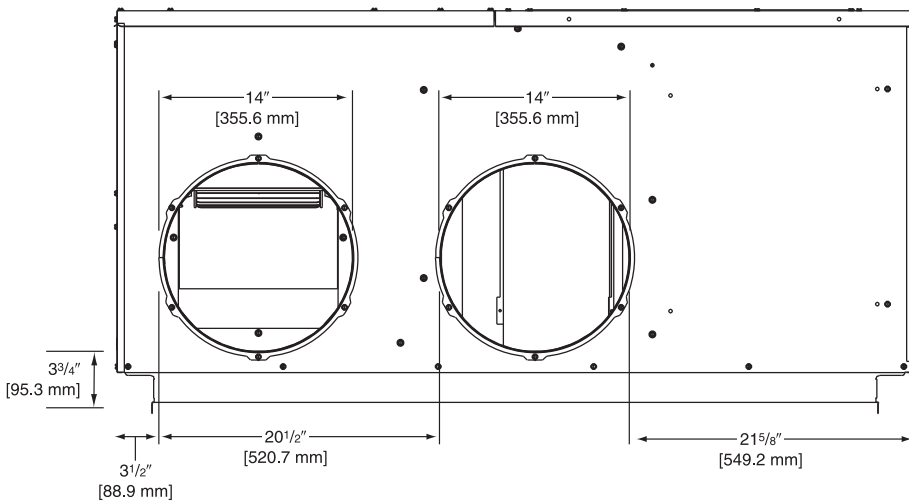
DIMENSIONS

Model	Height "A"
RQNM, RQPM: 024, 030, 036 RQRM: 024	29 1/8"
RQNM, RQPM: 042, 048, 060 RQRM: 030, 036, 042, 048, 060	37 1/8"

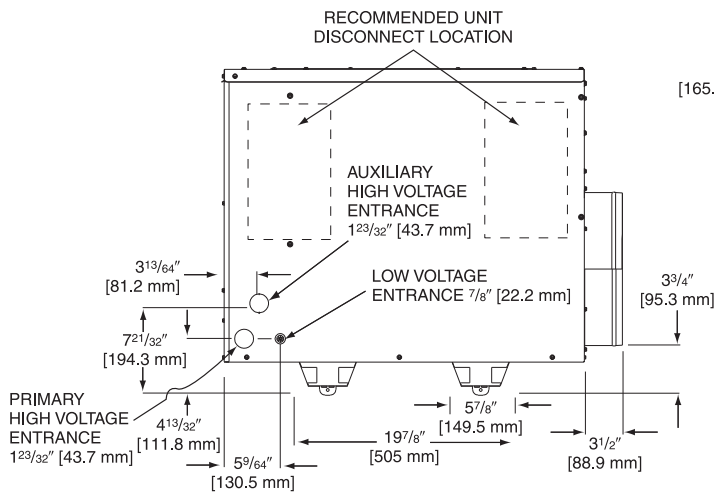
FRONT VIEW



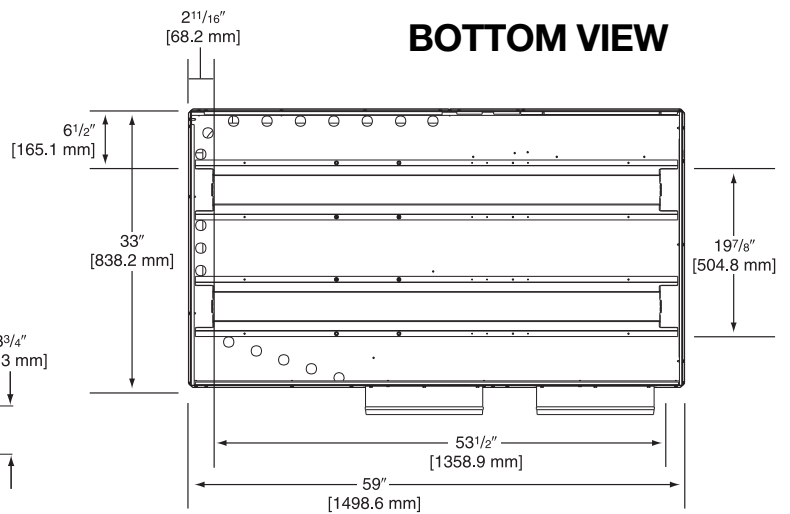
REAR VIEW



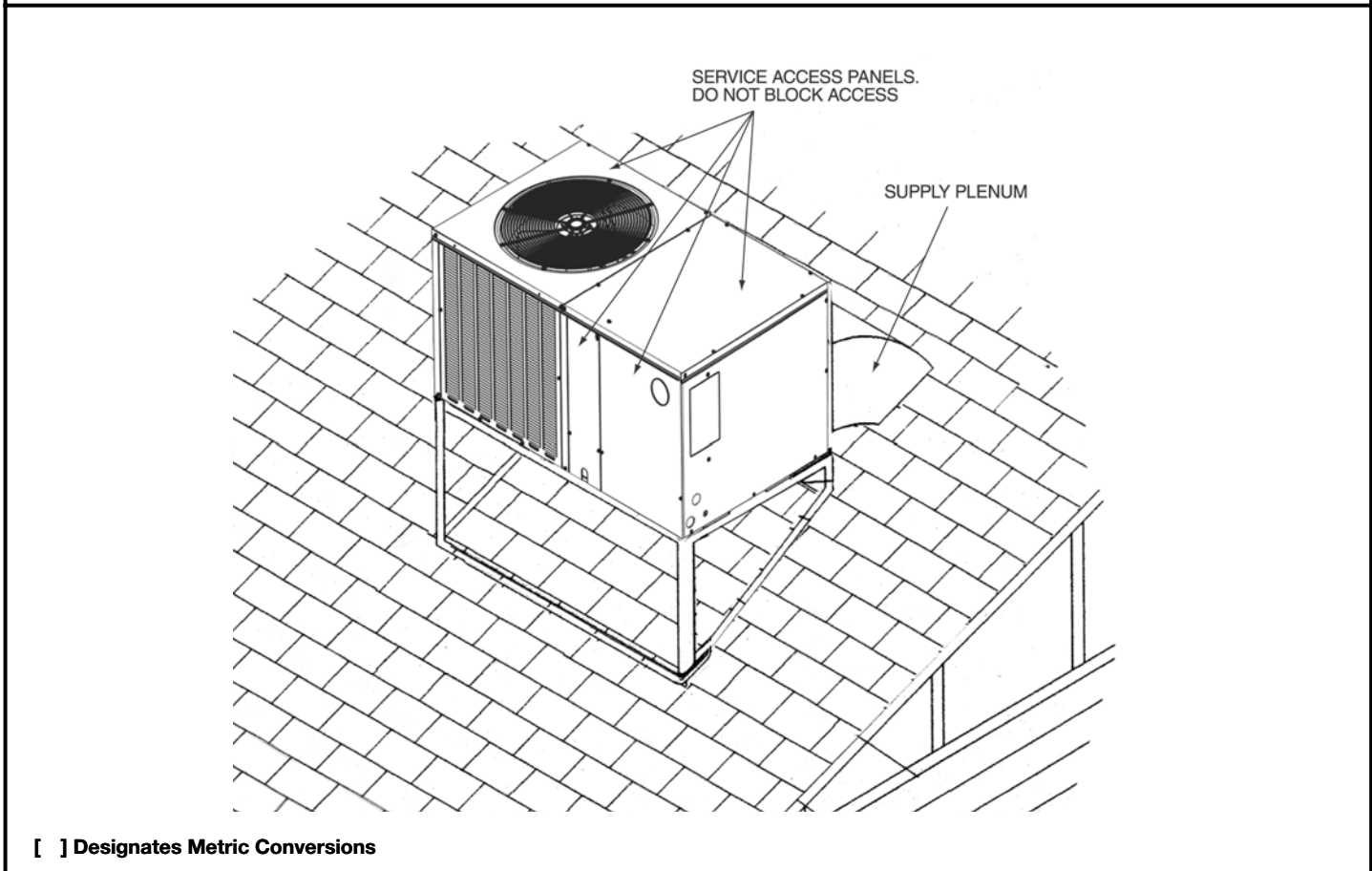
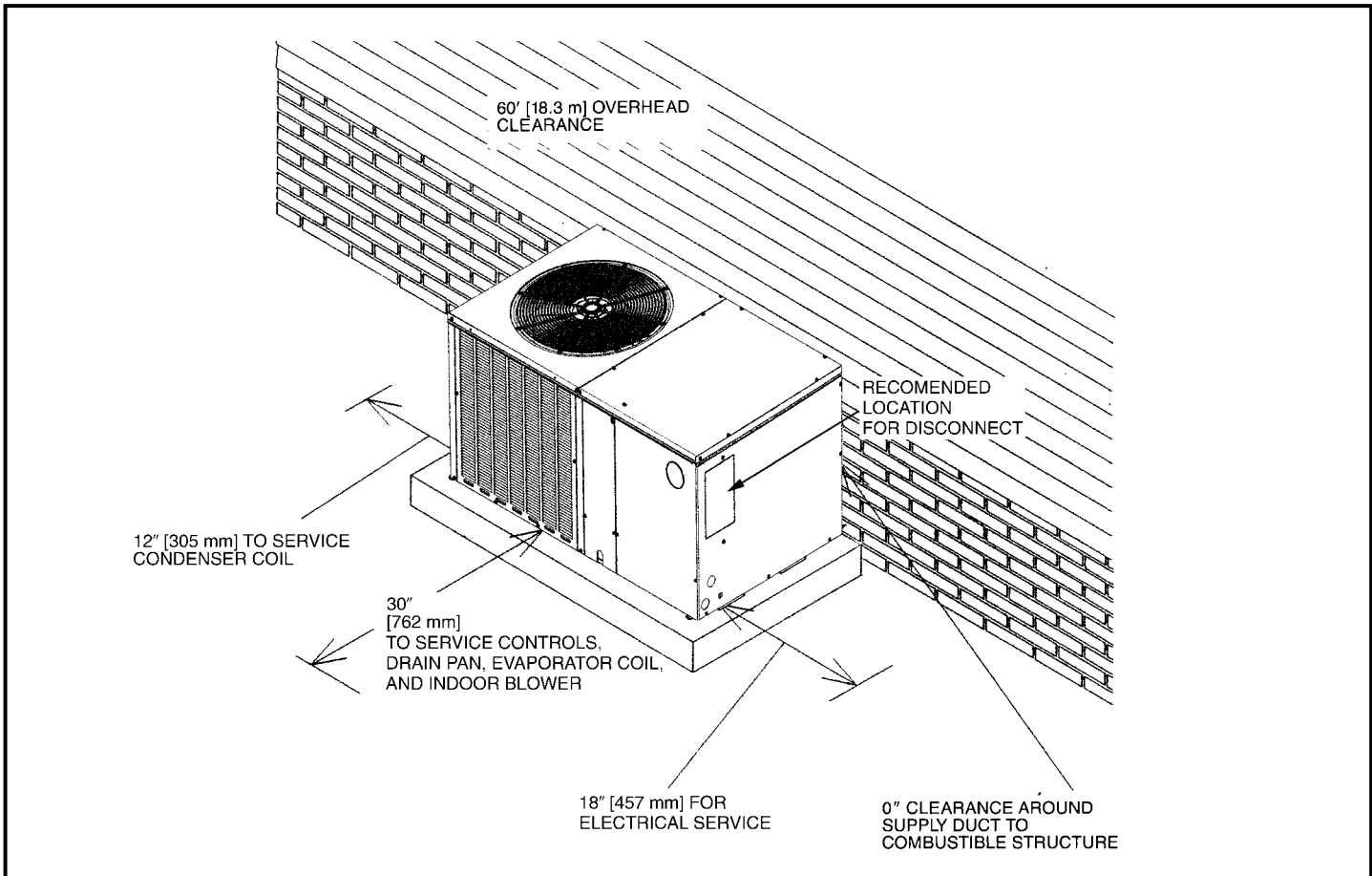
ELECTRICAL CONNECTIONS



BOTTOM VIEW



[] Designates Metric Conversions



[] Designates Metric Conversions



ACCESSORY EQUIPMENT

Accessory Description	Model Application	Accessory Model No.
Outdoor Thermostat	RQNM/RQPM/RQRM	RXPT-A01
Thermostats	RQNM/RQPM/RQRM	See Thermostat Specification Sheet (T11-001)

THERMOSTATS



200-Series *
Programmable



300-Series *
Deluxe Programmable

400-Series *
Special Applications/
Programmable



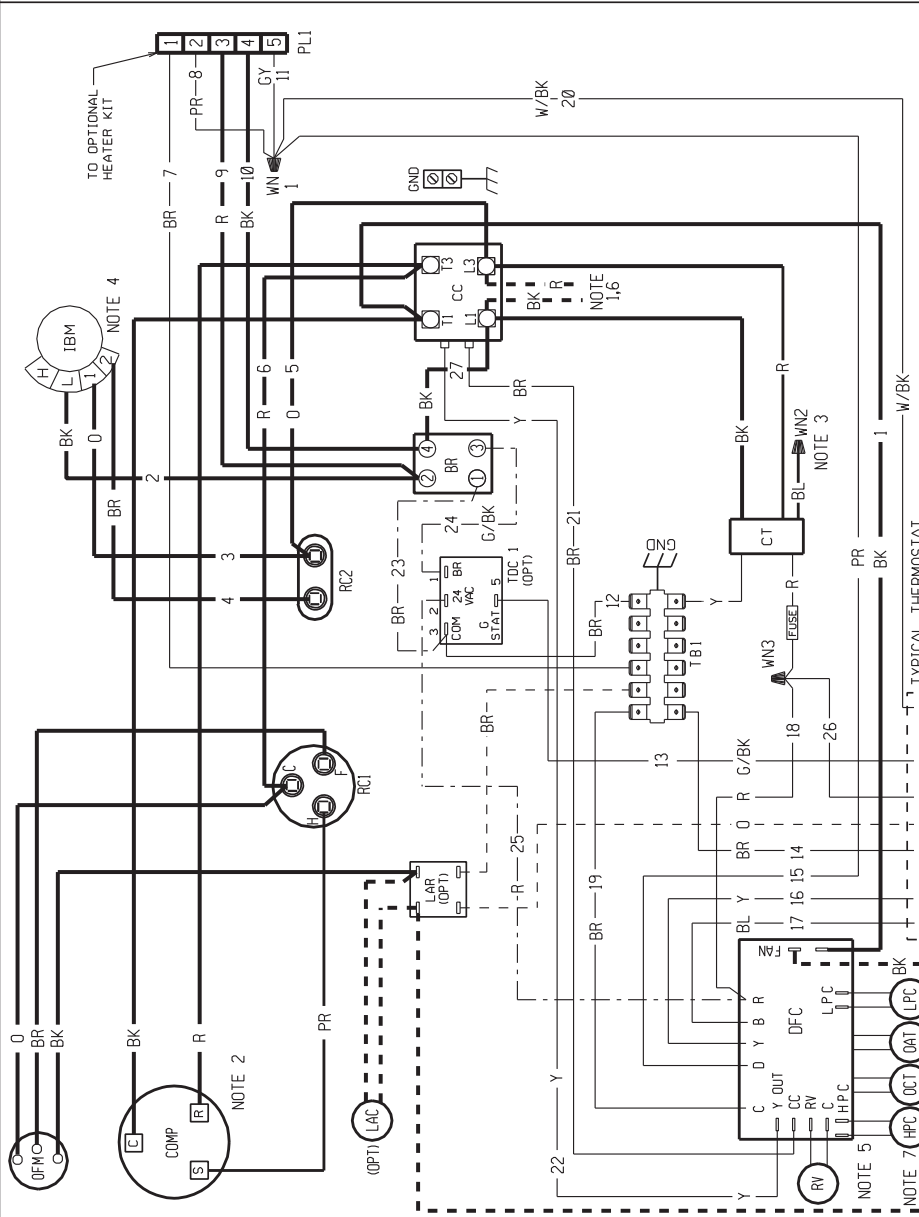
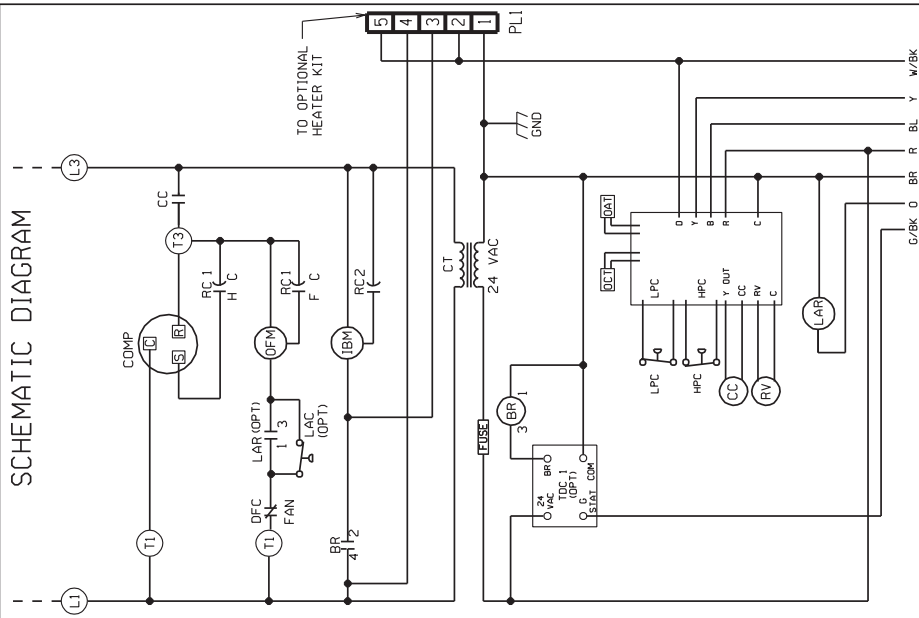
500-Series *
Communicating/
Programmable

Brand	Descriptor (3 Characters)	Series (3 Characters)	System (2 Characters)	Type (2 Characters)
RHC	TST	213	UN	MS
RHC=Rheem	TST=Thermostat	200=Programmable 300=Deluxe Programmable 400=Special Applications/ Programmable 500=Communicating/ Programmable	GE=Gas/Electric UN=Universal (AC/HP/GE) MD=Modulating Furnace DF=Dual Fuel CM=Communicating	SS=Single-Stage MS=Multi-Stage

* Photos are representative. Actual models may vary.

For detailed thermostat match-up information, see specification sheet form number T11-001.

SCHEMATIC DIAGRAM



WIRE COLOR CODE

BK	BLACK	GY	GRAY	R	RED
BR	BROWN	O	ORANGE	W	WHITE
BL	BLUE	PK	PINK	Y	YELLOW
G	GREEN	PR	PURPLE		

ELECTRICAL WIRING DIAGRAM

PACKAGE HEAT PUMP

1 PH, 208/230 VOLT - 60 HZ

DR. BY	APP. BY	DATE	DWG. NO.	REV
MCB		01-15-10	90-23621-25	00

WIRING INFORMATION

- LINE VOLTAGE
- FACTORY STANDARD
- FACTORY OPTION
- FIELD INSTALLED
- LOW VOLTAGE
- FACTORY STANDARD
- FACTORY OPTION
- FIELD INSTALLED
- REPLACEMENT WIRE
- MUST BE THE SAME SIZE AND TYPE OF INSULATION AS ORIGINAL (105 C° MIN.)
- WARNING
- CABINET MUST BE PERMANENTLY GROUNDED AND CONFORM TO I.E.C., N.E.C., C.E.C. AND LOCAL CODES AS APPLICABLE.

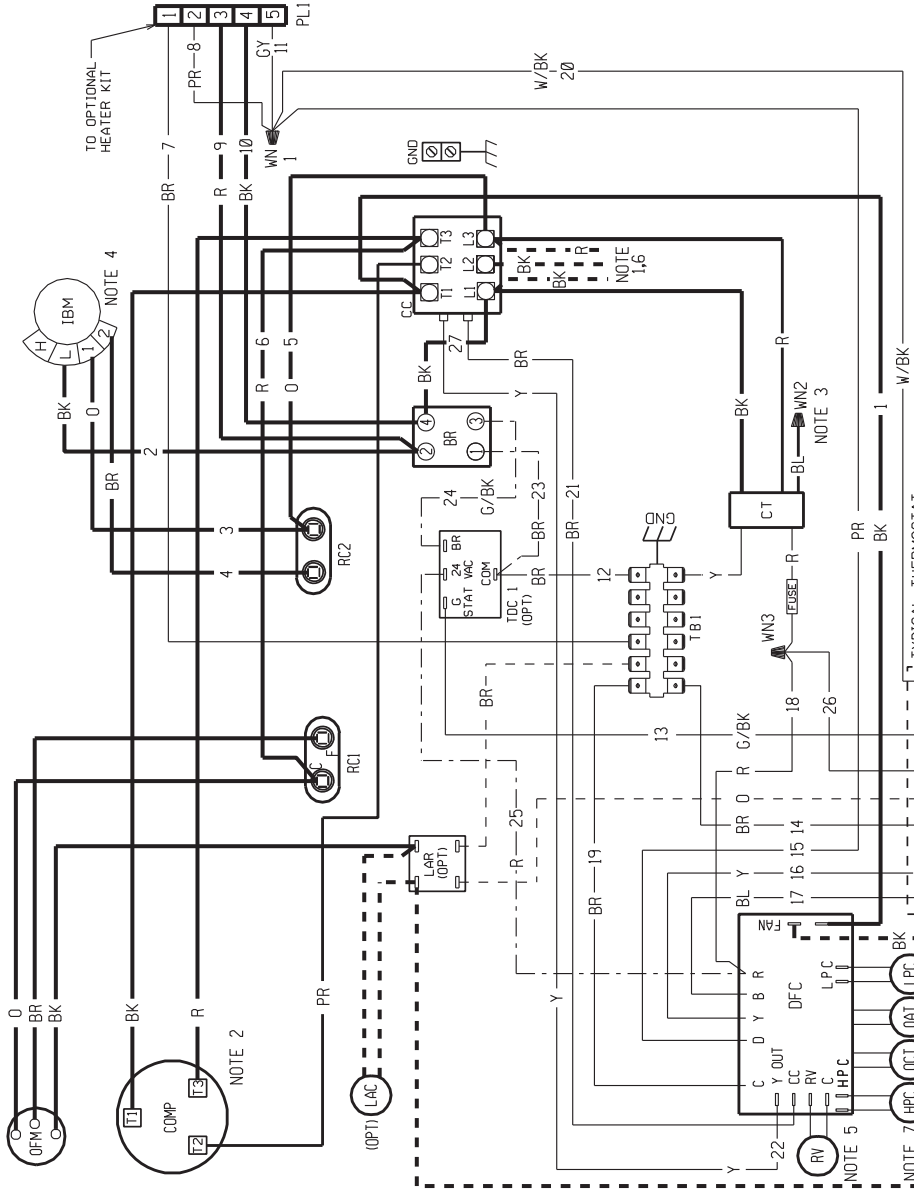
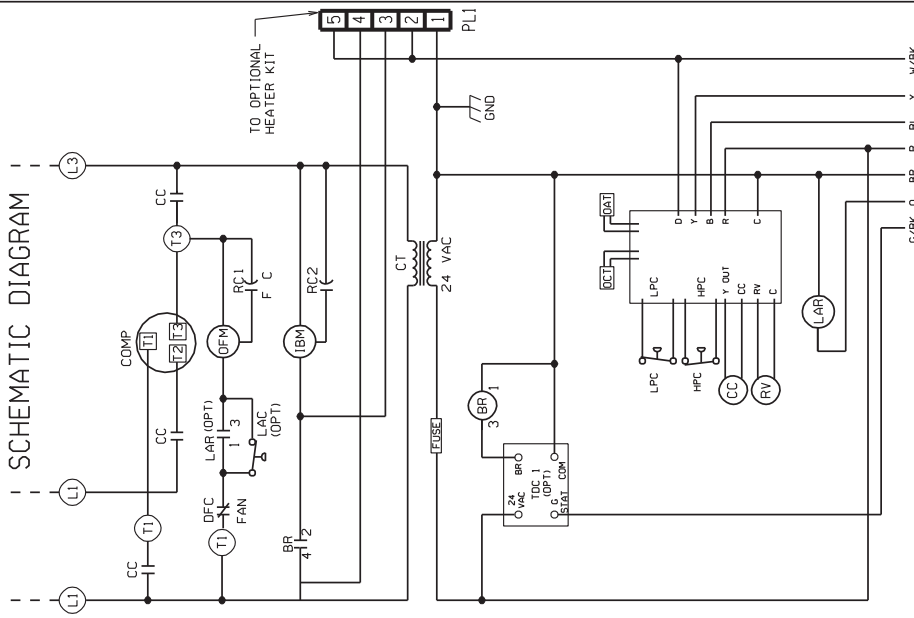
NOTES:

1. CONNECTORS SUITABLE FOR USE WITH COPPER CONDUCTORS ONLY.
2. COMPRESSOR MOTOR THERMALLY PROTECTED.
3. TRANSFORMER FACTORY WIRE FOR 230 VOLTS. USE RED AND BLUE LEADS FOR 208 VOLTS.
4. MOTOR FACTORY WIRE FOR LOW SPEED. SEE AIRFLOW TABLES IN INSTALLATION INSTRUCTIONS TO DETERMINE CORRECT SPEED FOR UNIT APPLICATION.
5. THIS COMPONENT ENERGIZED IN HEATING.
6. FIELD WIRING OR CONNECTION FROM HEATER KIT FUSE BLOCK.
7. HPC TERMINALS ON DFC ARE JUMPED IF HPC IS NOT PRESENT.

COMPONENT CODE

ALC	AUX. LIMIT CONTROL	LAC	LOW AMBIENT COOLING CONTROL
BR	BLOWER RELAY	LAR	LOW AMBIENT RELAY
CC	COMPRESSOR CONTACTOR	LPC	LOW PRESSURE CONTROL
CH	CRANKCASE HEATER	OAT	OUTDOOR AMBIENT TEMP CONTROL
COMP	COMPRESSOR	OC	OUTDOOR COIL TEMP CONTROL
CT	CONTROL TRANSFORMER	OFM	OUTDOOR FAN MOTOR
DFC	DEFROST CONTROL	OPT	OPTIONAL
DR	DEFROST RELAY	PL	PLUG
GND	GROUND	RC	RUN CAPACITOR
HGS	HOT GAS SENSOR	RV	REVERSING VALVE
HPC	HIGH PRESSURE CONTROL	TB	TERMINAL BLOCK
IBM	INDOOR BLOWER MOTOR	TDC	TIME DELAY CONTROL
		W	WIRE NUT

SCHEMATIC DIAGRAM



WIRE COLOR CODE

BK	BLACK	GY	GRAY	R	RED
BR	BROWN	O	ORANGE	W	WHITE
BL	BLUE	PK	PINK	Y	YELLOW
G	GREEN	PR	PURPLE		

WIRING INFORMATION

- LINE VOLTAGE
- FACTORY STANDARD
- FACTORY OPTION
- FIELD INSTALLED
- LOW VOLTAGE
- FACTORY STANDARD
- FACTORY OPTION
- FIELD INSTALLED
- REPLACEMENT WIRE
- MUST BE THE SAME SIZE AND TYPE OF INSULATION AS ORIGINAL (105 C° MIN.)
- WARNING
- CABINET MUST BE PERMANENTLY GROUNDED AND CONFORM TO I.E.C., N.E.C., C.E.C. AND LOCAL CODES AS APPLICABLE.

NOTES:

1. CONNECTORS SUITABLE FOR USE WITH COPPER CONDUCTORS ONLY.
2. COMPRESSOR MOTOR THERMALLY PROTECTED.
3. TRANSFORMER FACTORY WIRED FOR 230 VOLTS. USE RED AND BLUE LEADS FOR 208 VOLTS.
4. MOTOR FACTORY WIRED FOR LOW SPEED. SEE AIRFLOW CORRECT SPEED FOR UNIT APPLICATION.
5. THIS COMPONENT ENERGIZED IN HEATING.
6. FIELD WIRING OR CONNECTION FROM HEATER KIT FUSE BLOCK.
7. HPC TERMINALS ON DFC ARE JUMPED IF HPC IS NOT PRESENT.

COMPONENT CODE

ALC	AUX. LIMIT CONTROL	LAC	LOW AMBIENT COOLING CONTROL
BR	BLOWER RELAY	LAR	LOW AMBIENT RELAY
CC	COMPRESSOR CONTACTOR	LPC	LOW PRESSURE CONTROL
CCH	CRANKCASE HEATER	OAT	OUTDOOR AMBIENT TEMP
COMP	COMPRESSOR	OCF	OUTDOOR COIL TEMP
CT	CONTROL TRANSFORMER	OFM	OUTDOOR FAN MOTOR
DFC	DEFROST CONTROL	OPT	OPTIONAL
DR	DEFROST RELAY	PL	PLUG
GND	GROUND	RC	RUN CAPACITOR
HGS	HOT GAS SENSOR	RV	REVERSING VALVE
HPC	HIGH PRESSURE CONTROL	RB	REVERSING BLOCK
IBM	INDOOR BLOWER MOTOR	TD	TERMINAL BLOCK
		TDC	TIME DELAY CONTROL WIRE NOT

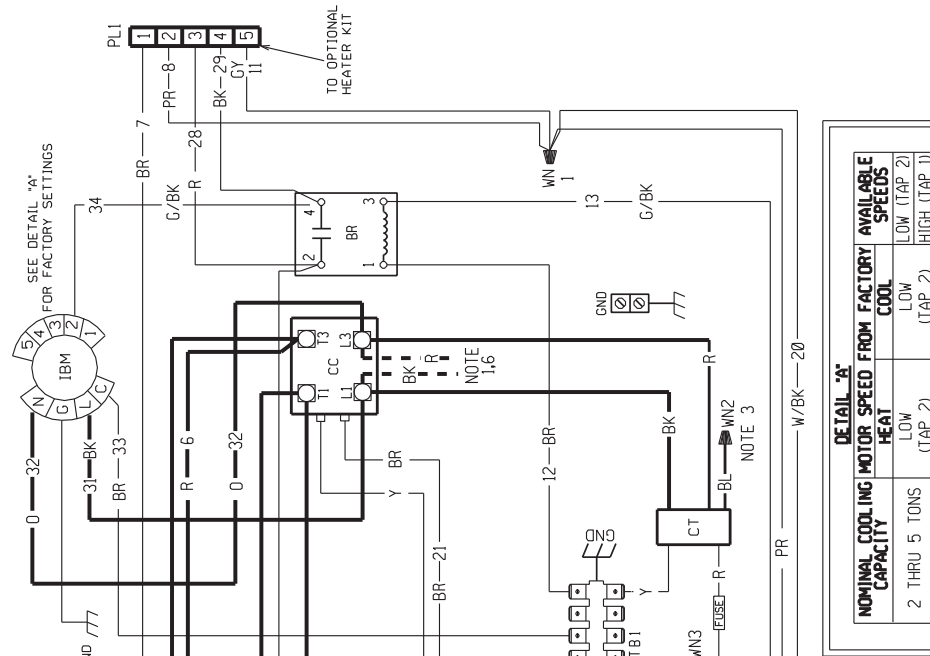
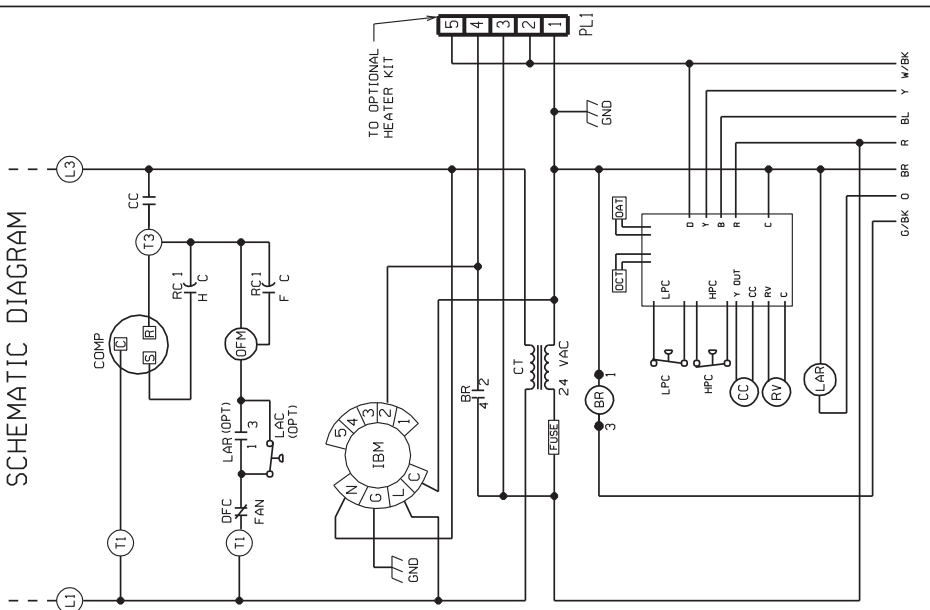
ELECTRICAL WIRING DIAGRAM

PACKAGE HEAT PUMP

3 PH, 208/230 VOLT - 60 HZ

DR. BY: [] DATE: [] DWG. NO.: []
 APP. BY: [] DATE: [] REV: []
 MCB [] 01-15-10 [] 90-23621-26 00

SCHEMATIC DIAGRAM



NOMINAL COOLING CAPACITY		MOTOR SPEED FROM FACTORY		AVAILABLE SPEEDS	
2 THRU 5 TONS	HEAT	LOW (TAP 2)	COOL	LOW (TAP 2)	HIGH (TAP 1)
	LOW (TAP 2)		LOW (TAP 2)		
	HIGH (TAP 1)		HIGH (TAP 1)		

WIRING INFORMATION

- LINE VOLTAGE
- FACTORY STANDARD
- FACTORY OPTION
- FIELD INSTALLED
- LOW VOLTAGE
- FACTORY STANDARD
- FACTORY OPTION
- FIELD INSTALLED
- REPLACEMENT WIRE
- MUST BE THE SAME SIZE AND TYPE OF INSULATION AS ORIGINAL (105 C MIN.)
- WARNING
- CABINET MUST BE PERMANENTLY GROUNDED AND CONFORM TO I.E.C. N.E.C. C.E.C. AND LOCAL CODES AS APPLICABLE.

WIRE COLOR CODE

BK	BLACK	GY	GRAY	R	RED
BR	BROWN	O	ORANGE	W	WHITE
BL	BLUE	PK	PINK	Y	YELLOW
G	GREEN	PR	PURPLE		

COMPONENT CODE

ALC	AUX. LIMIT CONTROL
BR	BLOWER RELAY
CC	COMPRESSOR CONTACTOR
CH	CHARGE HEATER
COMP	COMPRESSOR
CC	CONTROL CIRCUIT
DFC	DEFROST CONTROL
DS	DEFROST SENSOR
GND	GROUND
HGS	HOT GAS SENSOR
HPC	HIGH PRESSURE CONTROL
IBM	INDOOR BLOWER MOTOR
LAC	LOW AMBIENT COOLING CONTROL
LAR	LOW AMBIENT RELAY
OAC	OUTDOOR AMBIENT CONTROL
OCT	OUTDOOR AMBIENT TEMP CONTROL
OFM	OUTDOOR FAN MOTOR
OPT	OPTIONAL PLUG
PL	PLUG
RV	RUN CAPACITOR
RCV	REVERSING VALVE
TB	TERMINAL BLOCK
TDC	TIME DELAY CONTROL
W	WIRE NUT

ELECTRICAL WIRING DIAGRAM

PACKAGE HEAT PUMP

1 PH, 208/230 VOLT - 60 HZ

DR. BY MCB
APP. BY DATE 01-15-10
DWG. NO. 90-23621-27
REV. 00

- NOTES:**
- CONNECTORS SUITABLE FOR USE WITH COPPER CONDUCTORS ONLY.
 - COMPRESSOR MOTOR THERMALLY PROTECTED.
 - TRANSFORMER FACTORY WIRED FOR 230 VOLTS. USE RED AND BLUE LEADS FOR 208 VOLTS.
 - MOTOR FACTORY WIRED FOR LOW SPEED. SEE AIRFLOW TABLES IN INSTALLATION INSTRUCTIONS TO DETERMINE CORRECT SPEED FOR UNIT APPLICATION.
 - THIS COMPONENT ENERGIZED IN HEATING.
 - FIELD WIRING OR CONNECTION FROM HEATER KIT FUSE BLOCK.
 - HPC TERMINALS ON DFC ARE JUMPED IF HPC IS NOT PRESENT.

DETAIL "A"

NOMINAL COOLING CAPACITY

2 THRU 5 TONS

HEAT

LOW (TAP 2)

COOL

LOW (TAP 2)

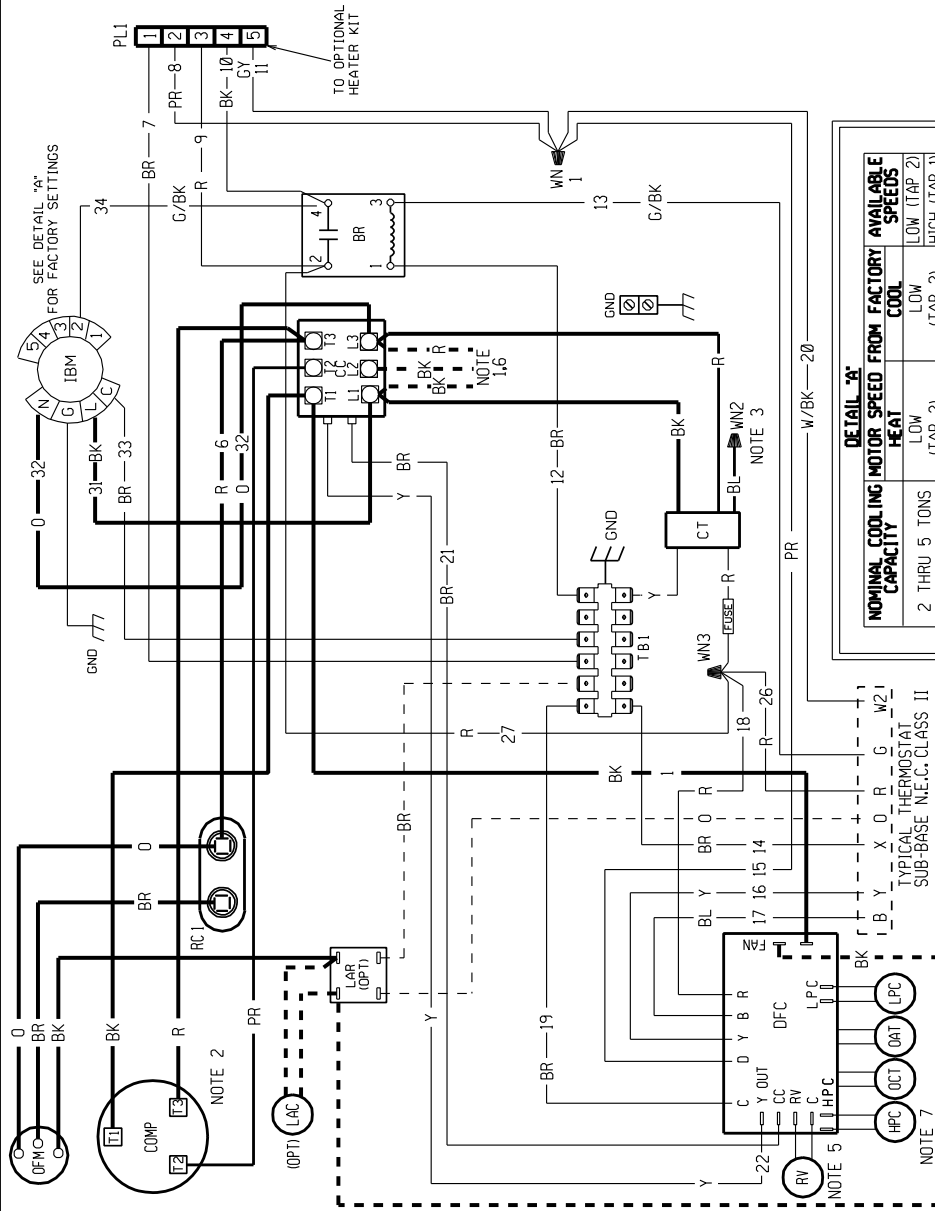
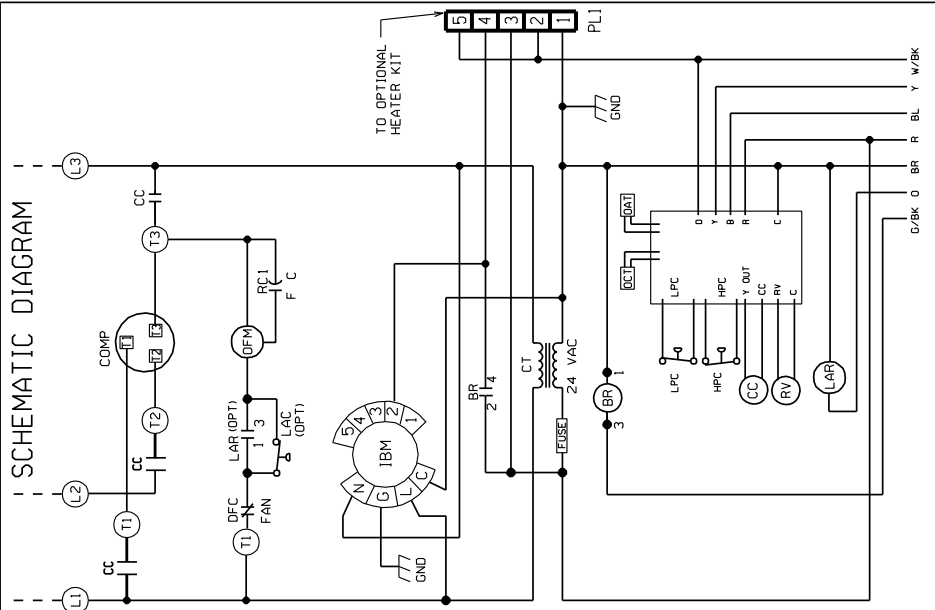
HIGH (TAP 1)

AVAILABLE SPEEDS

LOW (TAP 2)

HIGH (TAP 1)

SCHEMATIC DIAGRAM



DETAIL 'A'

NOMINAL COOLING CAPACITY	MOTOR SPEED FROM FACTORY		AVAILABLE SPEEDS	
	HEAT	COOL	LOW (TAP 2)	HIGH (TAP 1)
2 THRU 5 TONS	LOW (TAP 2)	LOW (TAP 2)	LOW (TAP 2)	HIGH (TAP 1)

COMPONENT CODE

- AUX. LIMIT CONTROL
- BLOWER RELAY
- COMPRESSOR CONTACTOR
- CRANKCASE HEATER
- COMPRESSOR
- CONTROL TRANSFORMER
- DEFROST CONTROL
- DEFROST RELAY
- GROUND SENSOR
- GROUND TERMINAL
- HIGH PRESSURE CONTROL
- INDOOR BLOWER MOTOR
- LAC LOW AMBIENT COOLING CONTROL
- LAR LOW AMBIENT RELAY
- LPC LOW PRESSURE CONTROL
- OPT OUTDOOR FAN MOTOR
- PL PLUG
- RC RUN CAPACITOR
- RV RISING VALVE
- TDC TIME DELAY CONTROL
- WIRE NUT

WIRING INFORMATION

- LINE VOLTAGE
- FACTORY STANDARD
- FACTORY OPTION
- FIELD INSTALLED
- LOW VOLTAGE
- FACTORY STANDARD
- FACTORY OPTION
- FIELD INSTALLED
- MUST BE THE SAME SIZE AND TYPE OF REPLACEMENT WIRE
- INSULATION AS ORIGINAL (105 C.MIN.)
- WARNING
- CABINET MUST BE PERMANENTLY GROUNDED AND CONFORM TO I.E.C., N.E.C., C.E.C., NATIONAL WIRING REGULATIONS, AND LOCAL CODES AS APPLICABLE.

WIRE COLOR CODE

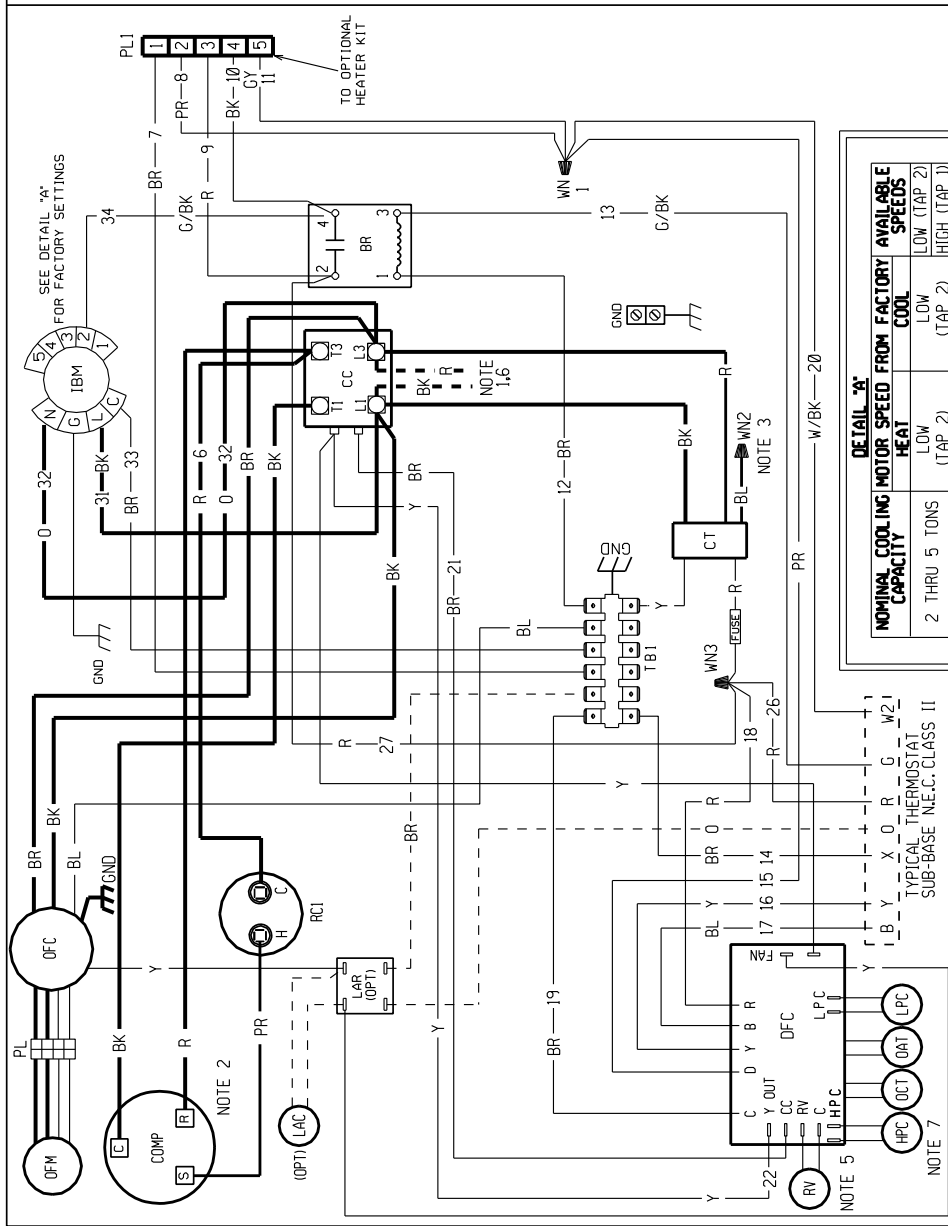
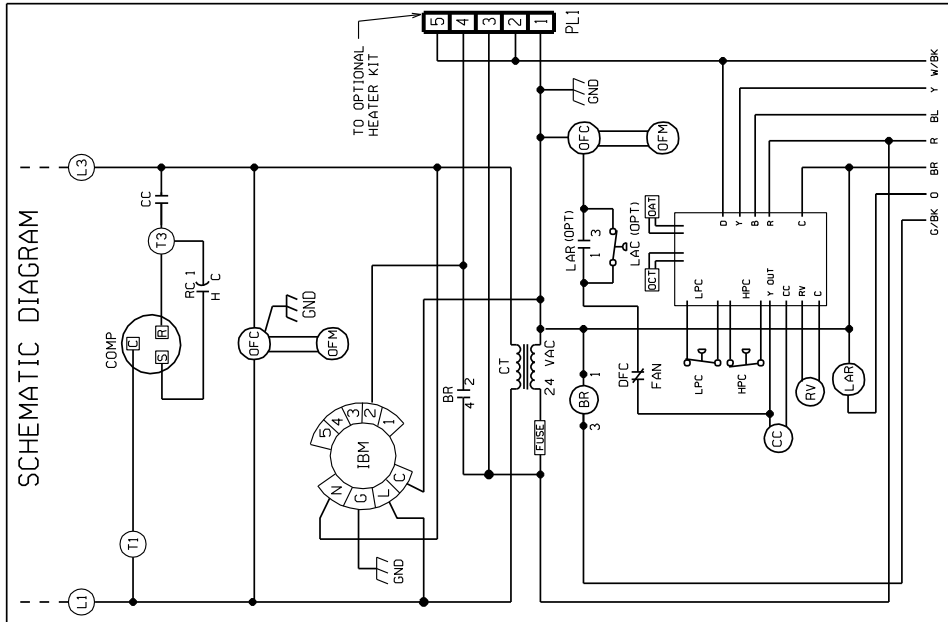
- BK. BLACK
- BR. BROWN
- BL. BLUE
- G. GREEN
- GY. GRAY
- O. ORANGE
- PR. PURPLE
- R. RED
- W. WHITE
- Y. YELLOW

ELECTRICAL WIRING DIAGRAM

PACKAGE HEAT PUMP

3 PH, 208/230 VOLT - 60 HZ

DR. BY DATE 01-15-10
APP. BY MCB
DWG. NO. 90-23621-28
REV 01



WIRE COLOR CODE

BK	BLACK
BR	BROWN
BL	BLUE
G	GREEN
GY	GRAY
O	ORANGE
PR	PURPLE
R	RED
W	WHITE
Y	YELLOW

WIRING INFORMATION

-FACTORY STANDARD
 -FACTORY OPTION
 -FIELD INSTALLED
 -LOW VOLTAGE
 -FACTORY STANDARD
 -FACTORY OPTION
 -REPLACEMENT WIRE
 -MUST BE THE SAME SIZE AND TYPE OF INSULATION AS ORIGINAL (1005 C.MIN.)
 -CABINET MUST BE PERMANENTLY GROUNDED AND CONFORM TO I.E.C., N.E.C., C.E.C. NATIONAL WIRING REGULATIONS, AND LOCAL CODES AS APPLICABLE.

DETAIL 'W'

NOMINAL COOLING CAPACITY	MOTOR SPEED FROM FACTORY	AVAILABLE SPEEDS
2 THRU 5 TONS	LOW HEAT (TAP 2)	LOW (TAP 2)
	HIGH HEAT (TAP 1)	HIGH (TAP 1)

- #### NOTES:
- CONNECTORS SUITABLE FOR USE WITH COPPER CONDUCTORS ONLY.
 - COMPRESSOR MOTOR THERMALLY PROTECTED.
 - TRANSFORMER FACTORY WIRED FOR 230 VOLTS. USE RED AND BLUE LEADS FOR 208 VOLTS.
 - MOTOR FACTORY WIRED FOR LOW SPEED. SEE AIRFLOW TABLES IN INSTALLATION INSTRUCTIONS TO DETERMINE CORRECT SPEED FOR UNIT APPLICATION.
 - THIS COMPONENT ENERGIZED IN HEATING.
 - FIELD WIRING OR CONNECTION FROM HEATER KIT FUSE BLOCK.
 - HPC IS NOT PRESENT.

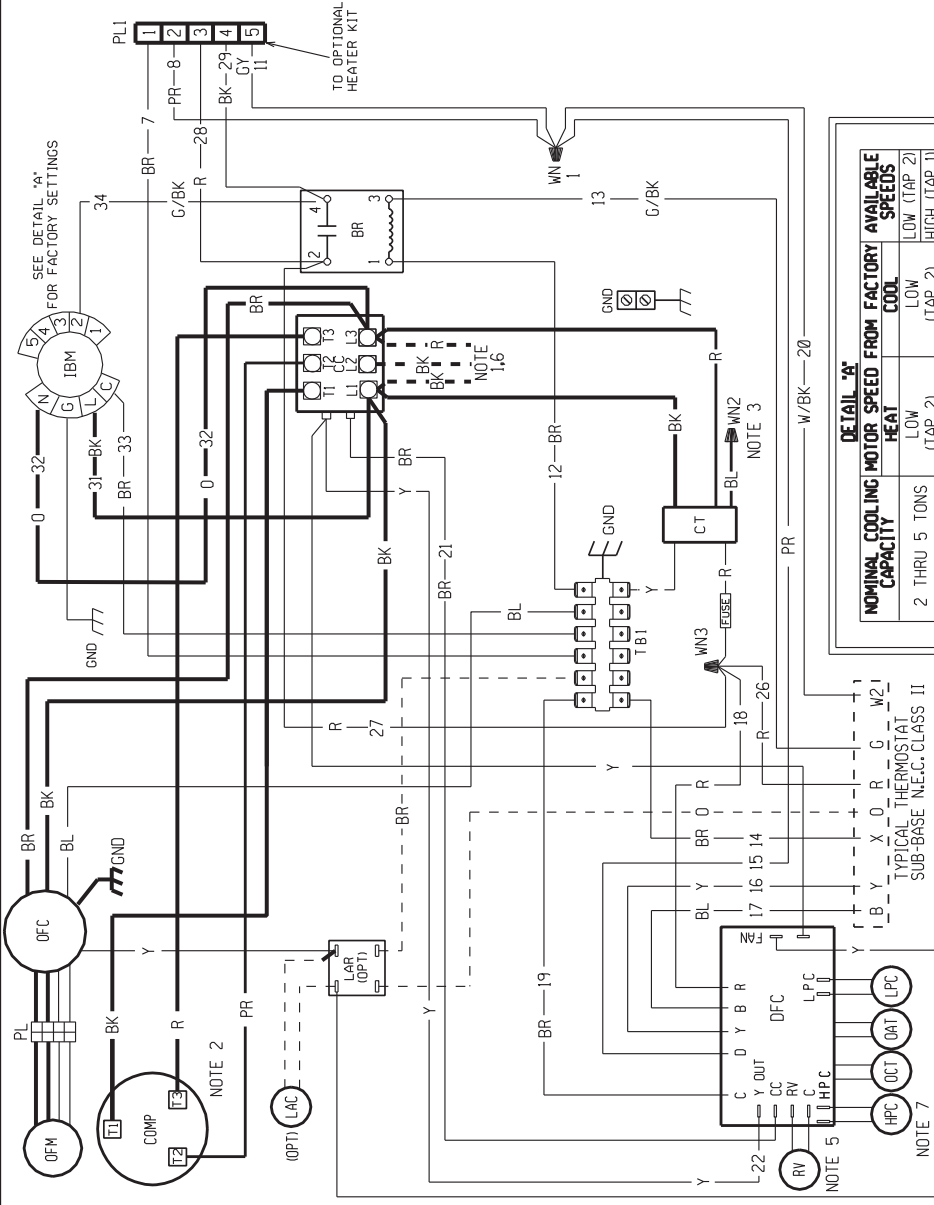
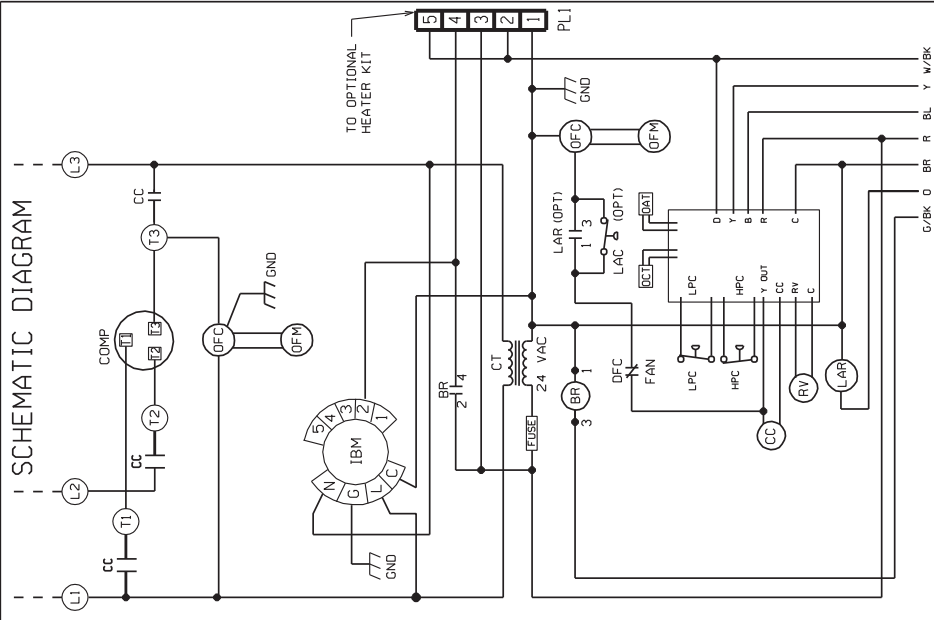
COMPONENT CODE

ALC	AUX. LIMIT CONTROL
BR	BLOWER RELAY
CC	COMPRESSOR CONTACTOR
CH	CRANKCASE HEATER
COMP	COMPRESSOR
CT	CONTROL TRANSFORMER
DFC	DEFROST CONTROL
DS	DEFROST SENSOR
GND	GROUND
HGS	HOT GAS SENSOR
HPC	HIGH PRESSURE CONTROL
IBM	INDOOR BLOWER MOTOR
LAC	LOW AMBIENT COOLING CONTROL
LAR	LOW AMBIENT RELAY
LAT	LOW AMBIENT WIRE CONTROL
LCT	LOAD SENSITIVE TEMP CONTROL
OCT	OUTDOOR COIL TEMP CONTROL
OFC	OUTDOOR FAN MOTOR
OPT	OPTIONAL
PL	PLUG
RC	RUN CAPACITOR
RV	REVERSING VALVE
TB	TERMINAL BLOCK
TDC	TIME DELAY CONTROL
W	WIRE NUT

ELECTRICAL WIRING DIAGRAM PACKAGE HEAT PUMP WITH INDOOR X-MOTOR AND OUTDOOR REMOTE CONTROL ECM

DR. BY	MCB
APP. BY	
DATE	01-15-10
DWG. NO.	90-23621-29
REV	01

SCHEMATIC DIAGRAM



WIRE COLOR CODE

BK	BLACK	GY	GRAY	R	RED
BR	BROWN	O	ORANGE	W	WHITE
BL	BLUE	PK	PINK	Y	YELLOW
G	GREEN	PR	PURPLE	CL	CLEAR

**ELECTRICAL WIRING DIAGRAM
PACKAGE HEAT PUMP
WITH INDOOR X-MOTOR AND
OUTDOOR REMOTE CONTROL ECM**

DR. BY: APP. BY: DATE: 01-15-10
3 PH, 208/230 VOLT - 60 HZ
MCB DWG. NO. 90-23621-30 00 REV

WIRING INFORMATION

LINE VOLTAGE
-FACTORY STANDARD
-FACTORY OPTION
-FIELD INSTALLED

LOW VOLTAGE
-FACTORY STANDARD
-FACTORY OPTION
-FIELD INSTALLED

-MUST BE THE SAME SIZE AND TYPE OF REPLACEMENT WIRE
-INSULATION AS ORIGINAL (105 C MIN.)
-CABINET MUST BE PERMANENTLY GROUNDED AND CONFORM TO I.E.C., N.E.C., C.E.C. AND LOCAL CODES AS APPLICABLE.

NOTES:

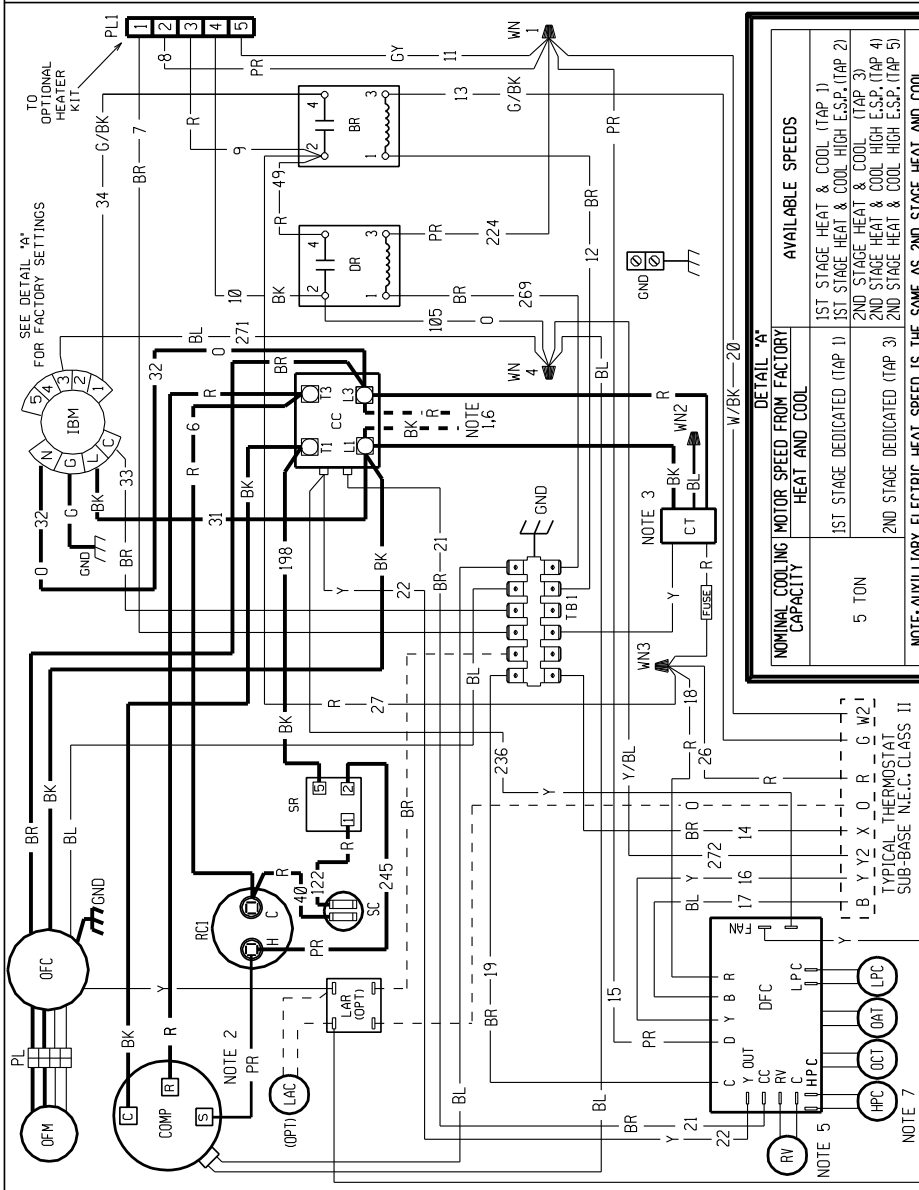
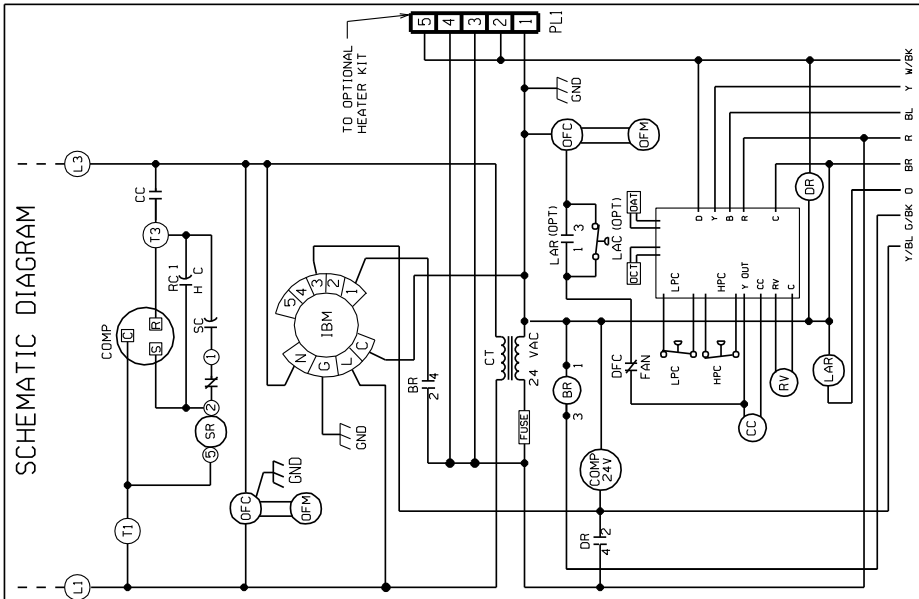
- CONNECTORS SUITABLE FOR USE WITH COPPER CONDUCTORS ONLY.
- COMPRESSOR MOTOR THERMALLY PROTECTED.
- TRANSFORMER FACTORY WIRED FOR 230 VOLTS. USE RED AND BLUE LEADS FOR 208 VOLTS.
- MOTOR FACTORY WIRED FOR LOW SPEED. SEE AIRFLOW TABLES IN INSTALLATION INSTRUCTIONS TO DETERMINE CORRECT SPEED FOR UNIT APPLICATION.
- THIS COMPONENT ENERGIZED IN HEATING.
- FIELD WIRING OR CONNECTION FROM HEATER KIT FUSE BLOCK.
- HPC TERMINALS ON DFC ARE JUMPERED IF HPC IS NOT PRESENT.

COMPONENT CODE

ALC	AUX. LIMIT CONTROL
BR	BLOWER RELAY
CC	COMPRESSOR CONTACTOR
CCH	CRANKCASE HEATER
COMP	COMPRESSOR TRANSFORMER
DFC	DEFROST CONTROL
DFC	DEFROST RELAY
DS	DEFROST SENSOR
GND	GROUND
HGS	HOT GAS SENSOR
HPC	HIGH PRESSURE CONTROL
IBM	INDOOR BLOWER MOTOR
LAC	LOW AMBIENT COOLING CONTROL
LAR	LOW AMBIENT RELAY
LPC	LOW PRESSURE CONTROL
DFC	OUTDOOR FAN CONTROL
DFC	OUTDOOR FAN MOTOR
DFC	OPTIONAL
PLC	PLUG CAPACITOR
RV	REVERSING VALVE
TB	TERMINAL BLOCK
TDC	TIME DELAY CONTROL
WIRE NUT	WIRE NUT

DETAIL 'A'

NOMINAL COOLING CAPACITY	MOTOR SPEED	FACTORY AVAILABLE SPEEDS
2 THRU 5 TONS	HEAT	LOW (TAP 2)
	COOL	LOW (TAP 2)
		HIGH (TAP 1)



WIRE COLOR CODE

BK	BLACK
BR	BROWN
BL	BLUE
R	RED
W	WHITE
Y	YELLOW
GY	GRAY
O	ORANGE
PR	PURPLE

ELECTRICAL WIRING DIAGRAM
2-STG PACKAGE HEAT PUMP WITH INDOOR X-MOTOR AND OUTDOOR REMOTE CONTROL ECM
1 PH, 208/230 VOLT - 60 HZ

DR. BY: MCR
APP. BY: DATE: 9-10-10
DWG. NO.: 90-23621-40
REV: 01

WIRING INFORMATION

- LINE VOLTAGE
- FACTORY STANDARD
- FACTORY OPTION
- FIELD INSTALLED
- LOW VOLTAGE
- FACTORY STANDARD
- FIELD INSTALLED
- REPLACEMENT WIRE
- MUST BE THE SAME SIZE AND TYPE OF INSULATION AS ORIGINAL (105 C-MIN.)

NOTES:

- CONNECTORS SUITABLE FOR USE WITH COPPER CONDUCTORS ONLY.
- COMPRESSOR MOTOR THERMALLY PROTECTED.
- TRANSFORMER FACTORY WIRED FOR 230 VOLTS. USE RED AND BLUE LEADS FOR 208 VOLTS.
- MOTOR FACTORY WIRED FOR LOW SPEED. SEE AIRFLOW TABLES IN INSTALLATION INSTRUCTIONS TO DETERMINE CORRECT SPEED FOR UNIT APPLICATION.
- THIS COMPONENT ENERGIZED IN HEATING.
- FIELD WIRING OR CONNECTION FROM HEATER KIT FUSE BLOCK.
- HPC TERMINALS ON DFC ARE JUMPERED IF HPC IS NOT PRESENT.

DETAIL "A"
NOMINAL COOLING MOTOR SPEED FROM FACTORY HEAT AND COOL

CAPACITY	AVAILABLE SPEEDS	
	HEAT	COOL
5 TON	1ST STAGE DEDICATED (TAP 1)	1ST STAGE HEAT & COOL (TAP 1)
	2ND STAGE DEDICATED (TAP 2)	1ST STAGE HEAT & COOL HIGH E.S.P. (TAP 2)
	2ND STAGE HEAT & COOL (TAP 3)	2ND STAGE HEAT & COOL (TAP 3)
	2ND STAGE HEAT & COOL HIGH E.S.P. (TAP 4)	2ND STAGE HEAT & COOL HIGH E.S.P. (TAP 4)
2ND STAGE DEDICATED (TAP 5)	2ND STAGE HEAT & COOL HIGH E.S.P. (TAP 5)	

NOTE: AUXILIARY ELECTRIC HEAT SPEED IS THE SAME AS 2ND STAGE HEAT AND COOL

COMPONENT CODE

ALC	AUX. LIMIT CONTROL
BR	BLOWER RELAY
CC	COMPRESSOR CONTACTOR
CCH	CRANKCASE HEATER
COMP	COMPRESSOR
CONTR	CONTROL TRANSFORMER
DFC	DEFROST RELAY
DS	DEFROST SENSOR
HCS	HOT GAS SENSOR
HPC	HIGH PRESSURE CONTROL
IBM	INDOOR BLOWER MOTOR
LAC	LOW AMBIENT COOLING CONTROL
LAR	LOW AMBIENT RELAY
LPC	LOW PRESSURE CONTROL
OAT	OUTDOOR AMBIENT TEMP
OCT	OUTDOOR COIL TEMP
OFC	OUTDOOR FAN CONTROL
OFC	OUTDOOR FAN MOTOR
OFC	OPTIONAL
PLC	PLUMBING CAPACITOR
RV	REVERSING VALVE
SC	START RELAY
SC	START CAPACITOR
TBC	TERMINAL BLOCK
TBC	TIME DELAY CONTROL
WIRE	WIRE NUT

TYPICAL THERMOSTAT SUB-BASE N.E.C. CLASS II

1	B	Y	2	X	0	R	G	W	1
2	1	7	1	6	1	4	1	1	7
3	1	7	1	6	1	4	1	1	7
4	1	7	1	6	1	4	1	1	7
5	1	7	1	6	1	4	1	1	7



BEFORE PURCHASING THIS APPLIANCE, READ IMPORTANT ENERGY COST AND EFFICIENCY INFORMATION AVAILABLE FROM YOUR RETAILER.

GENERAL TERMS OF LIMITED WARRANTY*

Rheem will furnish a replacement for any part of this product which fails in normal use and service within the applicable periods stated, in accordance with the terms of the limited warranty.

***For complete details of the Limited and Conditional Warranties, including applicable terms and conditions, contact your local contractor or the Manufacturer for a copy of the product warranty certificate.**

Conditional Parts (Registration Required)

1 Phase, Residential ApplicationsTen (10) Years

Compressor

1 Phase, Residential Applications.....Ten (10) Years

1 & 3 Phase, Commercial ApplicationsFive (5) Years

Parts

1 & 3 Phase, Commercial ApplicationsOne (1) Year





Air

Notes
RQNM/RQPM/RQRM Series



INTEGRATED AIR & WATER



The new degree of comfort.™

In keeping with its policy of continuous progress and product improvement, Rheem reserves the right to make changes without notice.

Rheem Heating, Cooling & Water Heating • P.O. Box 17010
Fort Smith, Arkansas 72917 • www.rheem.com

Rheem Canada Ltd./Ltée • 125 Edgeware Road, Unit 1
Brampton, Ontario • L6Y 0P5



INTEGRATED AIR & WATER

PRINTED IN U.S.A 04/14 QG FORM NO. P11-790 REV. 2