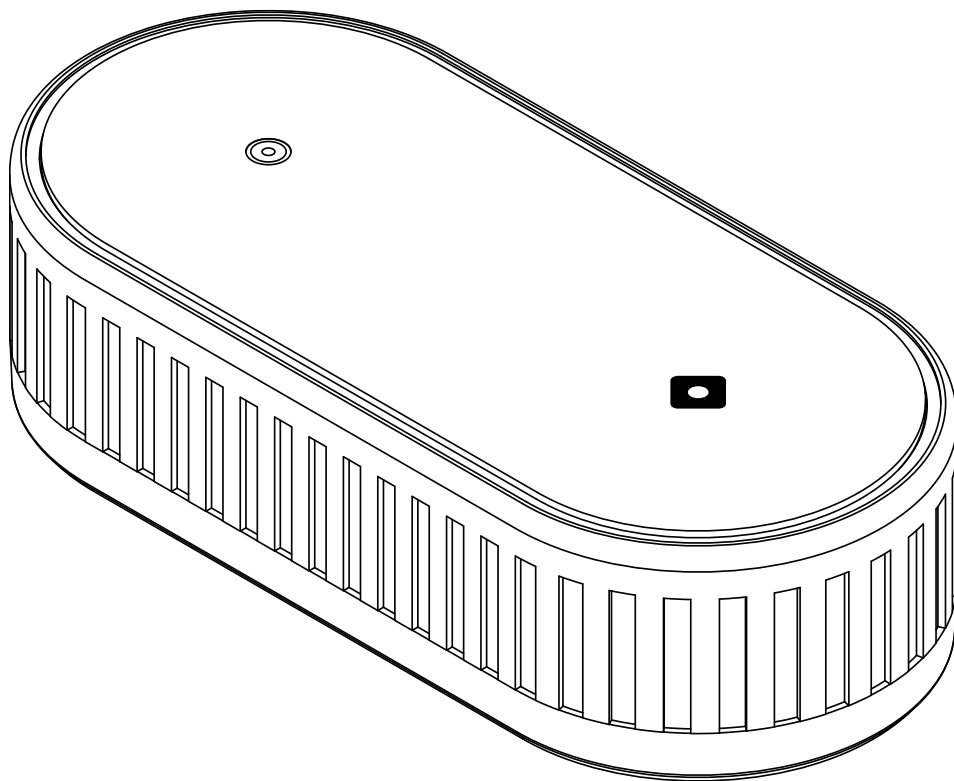




E15 Environmental Sensor

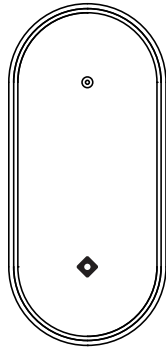
INSTALLATION MANUAL



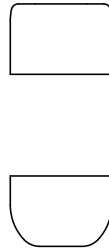
OVERVIEW

The Rhombus E15 proactively detects changes in temperature and humidity. With its long-lasting battery, the E15 broadcasts to all nearby BLE-enabled Rhombus devices and can monitor fluctuations in temperature and humidity in climate-controlled areas to protect valuable assets.

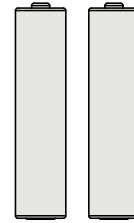
PACKAGE CONTENTS



E15 Environmental Sensor

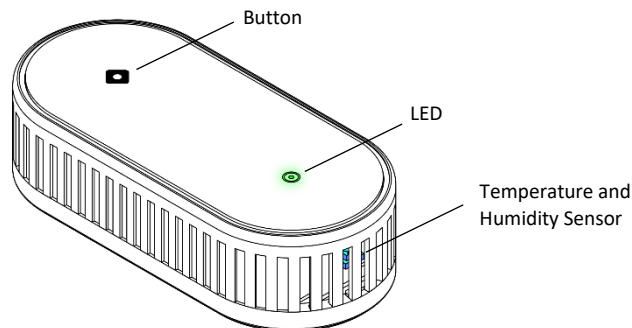


E15 Mounting Adhesive



2x 1.5VAAA Battery (Lithium)

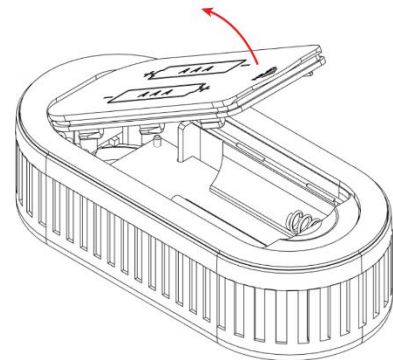
| Specifications | |
|-------------------------|--|
| Dimensions | 70x32.2x18.2mm (2.75x1.26x0.72in) |
| Power | 2x 1.5V AAA Lithium, replaceable (2x Lithium Batteries Included) |
| Temperature Measurement | ±0.3°C (0°C to 60 °C), ±0.5°C (-20°C to 0°C) |
| Humidity Measurement | ±4.5% (0% - 10% RH), ±3% (10% - 90% RH), ±3.8% (90% - 95% RH) |
| Estimated Battery Life | 5 years with typical medium-heavy use |
| Weather Resistance | IPX4 |



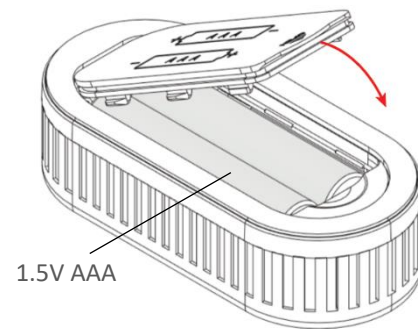
| LED Indicators | |
|----------------|---|
| Pulsing Green | E15 waiting to be registered |
| LED off | E15 registered and operating normally |
| Pulsing Red | Hard Reset required (remove and re-install battery) |
| Solid Red | Hardware Error (Contact Support) |

Installing the Battery

Remove the battery cover located on the back of the E15.



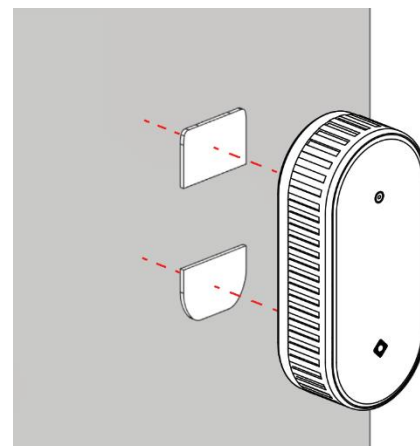
Insert the included 1.5V AAA Lithium batteries into the device and close the battery cover.



Mounting the E15

Fix the E15 to the desired surface using the mounting adhesives provided.

It is recommended that the E15 is installed in direct line of sight with a BLE-enabled Rhombus camera to reduce connectivity issues.

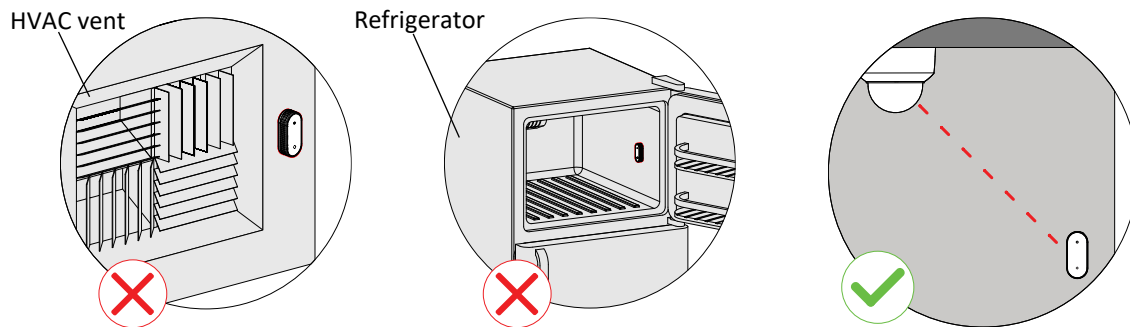


WARNING: Improper installation may result in inaccurate or faulty sensor responses.

Installation Best Practices

To reduce the likelihood of E15 sensing errors or connectivity issues, the following points must be followed:

- Have a BLE-enabled Rhombus device in direct line of sight with the E15 to increase signal strength.
- Avoid RF-blocking obstacles: This includes mounting the E15 inside a freezer, fridge, behind a metal door, etc.
- Avoid mounting the E15 near a source of heat (e.g., on the output vent of an AC/HVAC system, near exhaust vent, etc.).
- Ensure sensor intake panel is not covered or blocked by surrounding objects.

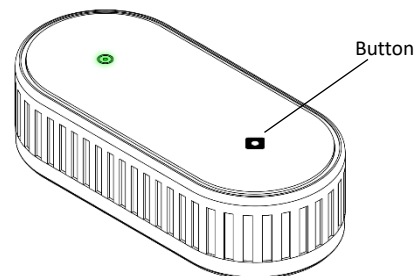


Registration

The E15 must be awakened from sleep mode to be registered into the rhombus console.

There are several ways to wake the device for registration:

- Press the button on the E15.
- Re-Insert battery into the E15.



The E15 LED will pulse green when waiting to be registered and will stay awake for two (2) minutes before going back into sleep mode.

Follow the instructions on the registration page to complete product registration.

For additional information on registering the E15 into the rhombus console, please visit: www.rhombus.com/setup/e15

Notes

Supplemental Info

For additional information and recommendations on setting up the E15, please visit:

<https://support.rhombussystems.com/hc/en-us/articles/14921970592141-Registering-the-E15>

For a product overview and additional E15 sensor specifications, please visit:

<https://www.rhombus.com/sensors/environmental-monitoring/e15>

Support

For questions or troubleshooting support, contact Rhombus support at help@rhombus.com or submit a request online at: <https://support.rhombussystems.com/hc/en-us/requests/new>

Notes

E15 Compliance

| |
|---|
| <p>FCC Compliance Statement FCC ID: 2AZ3J-B10</p> |
| <p>1. This device complies with Part 15 of the FCC Rules. Operation is subject to the following two conditions: (1) This device may not cause harmful interference. (2) This device must accept any interference received, including interference that may cause undesired operation.</p> <p>2. Changes or modifications not expressly approved by the party responsible for compliance could void the user's authority to operate the equipment.</p> <p>NOTE: This equipment has been tested and found to comply with the limits for a Class B digital device, pursuant to Part 15 of the FCC Rules. These limits are designed to provide reasonable protection against harmful interference in a residential installation.</p> <p>This equipment generates uses and can radiate radio frequency energy and, if not installed and used in accordance with the instructions, may cause harmful interference to radio communications. However, there is no guarantee that interference will not occur in a particular installation. If this equipment does cause harmful interference to radio or television reception, which can be determined by turning the equipment off and on, the user is encouraged to try to correct the interference by one or more of the following measures:</p> <ul style="list-style-type: none"> Reorient or relocate the receiving antenna. Increase the separation between the equipment and receiver. Connect the equipment into an outlet on a circuit different from that to which the receiver is connected. Consult the dealer or an experienced radio/TV technician for help. <p>RF warning statement: To maintain compliance with FCC ' s RF Exposure guidelines, This equipment should be installed and operated with minimum distance 20cm between the radiator and your body: Use only the supplied antenna.</p> |
| <p>IC Compliance Statement</p> |
| <p>This device contains license-exempt transmitter(s)/receiver(s) that comply with Innovation, Science and Economic Development Canada's license-exempt RSS(s). Operation is subject to the following two conditions:</p> <ul style="list-style-type: none"> (1) This device may not cause interference; and (2) This device must accept any interference, including interference that may cause undesired operation of the device. <p>Any changes or modifications not expressly approved by the party responsible for compliance could void the user's authority to operate the equipment.</p> <p>RF exposure statement: The equipment complies with IC Radiation exposure limit set forth for uncontrolled environment. This equipment should be installed and operated with minimum distance 20cm between the radiator and your body.</p> <p>Cet appareil contient des émetteurs / récepteurs exemptés de licence conformes aux RSS (RSS) d'Innovation, Sciences et Développement économique Canada. Le fonctionnement est soumis aux deux conditions suivantes:</p> <ul style="list-style-type: none"> (1) L'appareil ne doit pas produire de brouillage, et (2) l'utilisateur de l'appareil doit accepter tout brouillage radioélectrique subi, même si le brouillage est susceptible d'en compromettre le fonctionnement <p>Tout changement ou modification non expressément approuvé par la partie responsable de la conformité pourrait annuler l'autorité de l'utilisateur à utiliser l'équipement.</p> <p>Déclaration d'exposition RF: L'équipement est conforme à la limite d'exposition aux radiations de la IC établie pour un environnement non contrôlé. Cet équipement doit être installé et utilisé avec une distance minimale de 20cm entre le radiateur et votre corps.</p> |