

COMPACT DISC REWRITABLE DRIVE

MP7080A

SPECIFICATIONS

(Preliminary)

RICOH Company, Ltd.

Oct. 10, 1999

DRC – 60x - 2xx

NOTICE

This equipment has been tested and found to comply with the limits for a Class B digital device , pursuant to part 15 of the FCC Rules. These limits are designed to provide reasonable protection against harmful interference in a residential installation. This equipment generates , uses and can radiate radio frequency energy and , if not installed and used in accordance with the instructions , may cause harmful interference to radio communication.

However , there is no guarantee that interference will not occur in a particular installation. If this equipment does cause harmful interference to radio or television reception , which can be determined by turning the equipment off and on , the user is encouraged to try to correct the interference by one or more of the following measures :

- Reorient or relocate the receiving antenna.
- Increase the separation between the equipment and receiver.
- Connect the equipment into an outlet on a circuit different from that to which the receiver is connected.
- Consult the dealer or an experienced radio / TV technician for help.

FCC WARNING

Changes or modification not expressly approved by the party responsible for compliance could void the user's authority to operate the equipment.

CAUTION

Use of controls or adjustments or performance of procedures other than those specified herein may result in hazardous radiation exposure.

- a) Pay careful attention not to let the invisible laser beam emitted from the optical pickup enter into your eyes.
- b) When you find a troubled state of the component in the optical pickup containing the laser diode , change to the specified new optical pickup. Do not open the optical pickup housings.

Akustischer Geräuschpegel

Dieser Drucker überschreitet einen Geräuschpegel von 70 dB (A) während dem Betrieb nicht.



Declaration of Conformity

“The Product complies with the requirements of the EMC Directive 89/336/EEC and the **Low Voltage Directive 73/23/EEC.**”

Revision History

No.	Revised Data	Revision	Contents	Description	Page
	Oct. 10, 1999	Preliminary			

CONTENTS

I. OUTLINE-----

- 1. Overview I - 1
- 2. Features..... I - 1

II. CONSTRUCTION AND INSTALLATION -----

- 1. Basic Construction and Connectors..... II - 1

III. SPECIFICATIONS-----

- 1. Functionality III - 1
- 2. Basic Specification III - 2
- 3. Audio Specification III - 3
- 4. Performance Specification..... III - 3
- 5. Condition for use and Safety standard..... III - 3
- 6. Reliability and Usable Life III - 6
- 7. Safety Standards..... III - 6
- 8. Appearance..... III - 7
- 9. Storage Conditions III - 8
- 10. Emergency Eject III - 10
- 11. Disc III - 11
- 12. Packet Command..... III - 12

FIGURE

II - 1.	Front.....	II - 1
II - 2.	Back.....	II - 1
II - 3.	Device Configuration Jumper	II - 2
III - 1.	Installation Conditions	III - 5
III - 2.	CD-R/RW Drive Dimension	III - 7
III - 3.	Packing Arrangement.....	III - 9
III - 4.	Emergency Eject	III - 10

TABLE

III - 1.	Packet Command.....	II - 1
----------	---------------------	--------

I. OUTLINE

1. Overview

The Multimedia Printer Series Drive (the CD-R/RW Drive) can do much more than read and write the usual CD-R discs. When you load it with a rewritable CD-RW disc, you can record, read, and edit any kind of data, because these discs allow you to rewrite information that has already been recorded.

2. Features

- 1) Running OPC*1 gives a flatter writing signal that improves reliability.
- 2) An improved anti-heat design means that no cooling fan is needed.
- 3) Easy-to-use tray model.
- 4) Uses the world standard ATAPI interface.
- 5) Can read not only CD-R and CD-RW discs, but also video CDs, music CDs, and photo CDs.
- 6) Can read data at 32x speed and write data at 8x speed on CD-R, 4x speed on CD-RW discs.
- 7) The recorded CD-RW media can be played in a DVD player or multimedia CD-ROM player, maintaining future compatibility.
- 8) Supports packet write for easy writing to CD-R and CD-RW discs.

*1 Continuously monitors the signal level during recording and adjusts the laser power to compensate when the disc is dirty, insuring a flat signal.

II. CONSTRUCTION AND INSTALLATION

1. Basic construction and Connectors

The Connectors are located as shown below. The function of each parts are also described below.

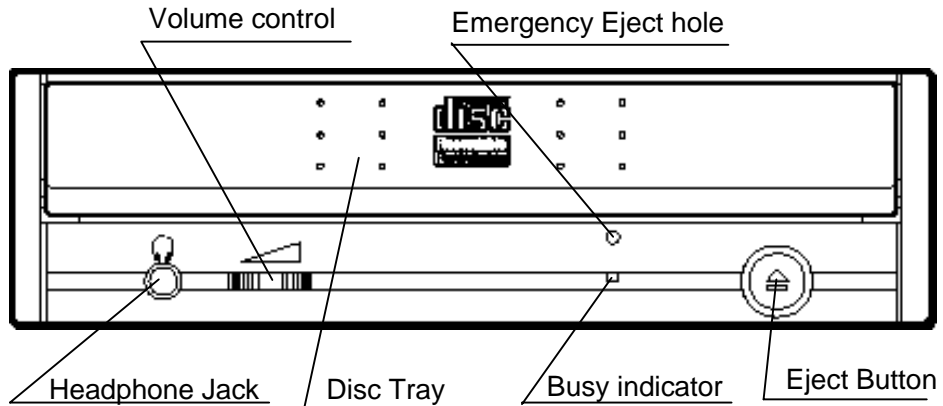


Fig. II - 1 Front

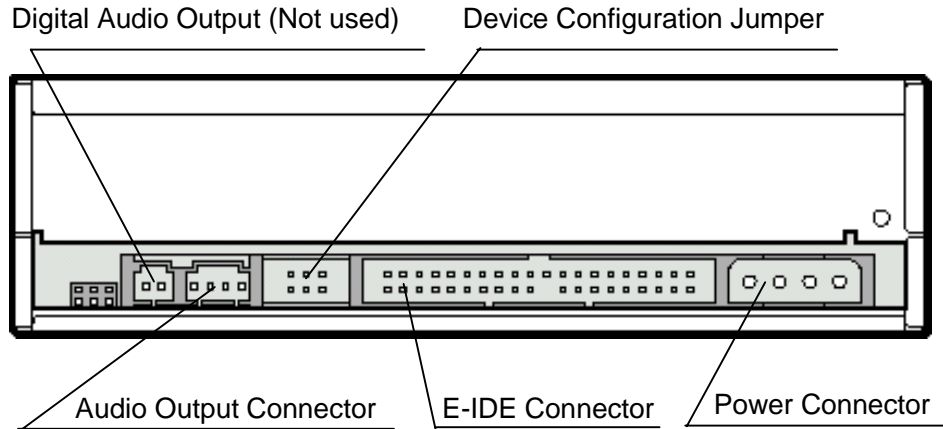


Fig. II - 2 Back

1.1. Disc Tray

This is the tray for the disc. Place the disc on the ejected disc tray, then lightly push the tray (or push the eject button) and the CD will be loaded.

! - Don't use force to pull out or push in the disc tray. This might cause damage to the loading section of the drive.

1.2. Eject Button

This is the button used to eject or bring in the disc tray.

1.3. Busy indicator

When the disc tray or disc is being accessed, the light shines or flashes orange. Even when a disc is loaded or a disc is not being accessed, the light goes out. When an illegal disc is loaded or some hardware trouble occurs, the indicator blinks.

1.4. Headphone Jack

This jack is for connecting headphones or mini-speakers.

1.5. Volume control

This is used to adjust the output volume of the headphone jack. It can't be used to adjust the output volume for the audio output connectors on the rear panel.

1.6. Emergency Eject hole

When the drive can not eject the Disc Tray because of power failure, pushing the Emergency Eject hole of the Front Panel by the thin pole makes the drive be able to eject the Disc Tray.

! - This function is only for emergency case. Do not use this function in usual case to prevent from mechanical damage.

1.7. Power Connector

Used to connect to the host computer's power supply (DC 5V / 12V)

! - Be careful not to reverse the power connector when attaching it. A reversed connection may cause damage to the equipment (not covered by the warranty).

1.8. E-IDE Connector

Use a 40 pin double-end flat E-IDE cable to connect to the E-IDE interface.

! - Connecting or disconnecting connectors while power is on may result in a short circuit, causing damage to the equipment. When connecting or disconnecting connectors, make sure to turn off the power beforehand.

1.9. Audio Output Connector

Used to connect to the sound card. (Analog signal.)

1.10. Digital Audio Output (Not used)

Used to connect to the sound card. (Digital signal.) It is not used with this drive.

1.11. Device Configuration Jumper

Used when selecting the Device Configuration of E-IDE. Don't use jumpers to change anything besides the Device Configuration, but keep the drive as initially set ("Master" position). Configuration changes become valid after power is turned off, then on again.

! - Installing jumper pins besides the ones for Device Configuration settings may be the cause of damage or abnormal drive operation.

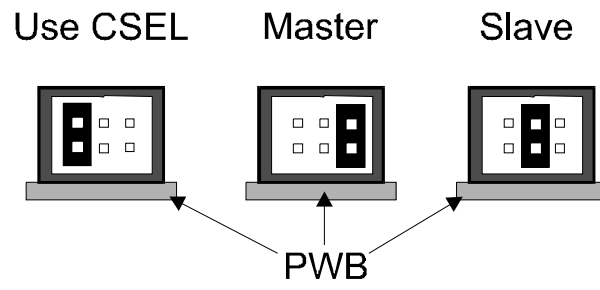


Fig. II - 3 Device Configuration Jumper

The Device Configuration Jumper will be set to Master as factory setting.