

TABLE OF CONTENTS

- How to Read the Manuals..... 2
 - Symbols Used in the Manuals..... 2
 - Disclaimer..... 2
 - Notes..... 3
 - Machine Types..... 3

1. Manuals Provided with This Machine

- Manuals for This Machine..... 5
 - Manuals List..... 7
- How to Use the Operating Instructions..... 8
 - Formats of the Operating Instructions..... 8
 - Reading the HTML Manuals on the CD-ROM..... 8
 - Installing and Opening the HTML Manuals..... 9
 - Reading the PDF Manuals on the CD-ROM..... 9

2. Safety Information for This Machine

- Safety Information..... 11
 - Safety During Operation..... 11
 - Safety Precautions to Be Followed..... 11
- Safety Labels of This Machine..... 18
 - Positions of WARNING and CAUTION labels..... 18
 - Power Switch Symbols..... 28

3. Other Information for This Machine

- Laws and Regulations..... 29
 - Duplication and Printing Prohibited..... 29
 - Laser Safety..... 29
 - Notes to USA Users of FCC Requirements..... 30
 - Notes to Canadian Users of IC Rules for Type 2 and 4..... 31

4. Appendix

- Trademarks..... 33

How to Read the Manuals

Symbols Used in the Manuals

This manual uses the following symbols:

 **Important**

Indicates points to pay attention to when using the machine, and explanations of likely causes of paper misfeeds, damage to originals, or loss of data. Be sure to read these explanations.

 **Note**

Indicates supplementary explanations of the machine's functions, and instructions on resolving user errors.

 **Reference**


This symbol is located at the end of sections. It indicates where you can find further relevant information.




Indicates the names of keys on the machine's display or control panels.



Indicates instructions stored in a file on a provided CD-ROM.

 **Region A** (mainly Europe and Asia), (mainly Europe), or (mainly Asia)

 **Region B** (mainly North America)

Differences in the functions of Region A and Region B models are indicated by two symbols. Read the information indicated by the symbol that corresponds to the region of the model you are using. For details about which symbol corresponds to the model you are using, see "Model-Specific Information", Getting Started .

Disclaimer

To the maximum extent permitted by applicable laws, in no event will the manufacturer be liable for any damages whatsoever arising out of failures of this machine, losses of the registered data, or the use or non-use of this product and operation manuals provided with it.

Make sure that you always copy or have backups of the data registered in this machine. Documents or data might be erased due to your operational errors or malfunctions of the machine.

In no event will the manufacturer be responsible for any documents created by you using this machine or any results from the data executed by you.

Notes

Contents of this manual are subject to change without prior notice.

The manufacturer shall not be responsible for any damage or expense that might result from the use of parts other than genuine parts from the manufacturer with your office products.

For good output quality, the manufacturer recommends that you use genuine toner from the manufacturer.

Some illustrations in this manual might be slightly different from the machine.

Colors on color keys or the color circle may differ slightly from the colors of actual copies.

The color samples in this manual may differ slightly from the colors of actual copies.

Machine Types

Check the type of your machine before reading the manuals.

- Type 1: Pro C7100S
- Type 2: Pro C7100SX
- Type 3: Pro C7110S
- Type 4: Pro C7110SX

Certain types might not be available in some countries. For details, please contact your local dealer.

Certain options might not be available in some countries. For details, please contact your local dealer.

Depending on which country you are in, certain units may be optional. For details, please contact your local dealer.



1. Manuals Provided with This Machine

This chapter explains manuals for this machine.

Manuals for This Machine

Read this manual carefully before you use this machine.

Refer to the manuals that are relevant to what you want to do with the machine.

★ Important

- Media differ according to manual.
- Adobe® Reader® must be installed in order to view the manuals as PDF files.
- A Web browser must be installed in order to view the html manuals.

User Guide

Regarding the basic usage of this machine, frequently used functions, troubleshooting when an error message appears, etc., summaries are provided below for each user manual.

Read This First

Before using the machine, be sure to read the section of this manual entitled Safety Information. It also describes each regulation and environmental conformance.

Easy Search

You can search for a description by what you want to do. Also, this machine's distinctive functions are explained.

Getting Started

Describes preparations for using the machine, operating instructions, and character input methods.

Paper Specifications and Adding Paper

Describes how to load originals and sheets and about their specifications.

Convenient Functions

Describes how to register frequently used settings, customize the Home Screen, and manage jobs.

Maintenance and Specifications

Describes how to replace supplies and how to install and clean this machine. It also describes the specifications of the main unit and options.

Troubleshooting

Provides a guide for resolving common usage-related problems.

Copy/ Document Server

Explains Copier and Document Server functions and operations. Also refer to this manual for explanations on how to specify the settings for originals.

Print

Describes how to print using the printer driver. It also describes the functions available for printing.

Scan

Describes how to scan paper data using this machine and how to send the scanned data to a computer and store the data.

Connecting the Machine/ System Settings

Explains how to connect the machine to a network, and configure and operate the machine in a network environment. Also explains how to change User Tools settings and how to register information in the Address Book.

PostScript 3

Explains how to set up and use PostScript® 3™.

Extended Feature Settings

Describes how to configure the extended features using the control panel or Web Image Monitor.

Paper Settings

Explains how to make paper settings for each tray using the paper library, which contains optimum printing conditions. It also explains how to manually specify a paper size and type for a paper tray.

Security Guide

This manual is for administrators of the machine. It explains security functions that you can use to prevent unauthorized use of the machine, data tampering, or information leakage. For enhanced security, we recommend that you first make the following settings:

- Install the Device Certificate.
- Enable SSL (Secure Sockets Layer) Encryption.
- Change the user name and password of the administrator.

For details, see "Before Using This Machine", Security Guide .

Be sure to read this manual when setting the enhanced security functions, or user and administrator authentication.

Scanner Driver Installation Guide

Describes how to install and configure the scanner driver. This manual is included in the supplied CD.

Printer Driver Installation Guide

Describes how to install and configure the printer driver. This manual is included in the supplied CD.

Guide to Paper

Explains paper characteristics and methods for handling paper.

Other Manuals

- Appendix

- DHCP Option 204

Manuals List

Manual Name	Printed Manuals Provided	HTML Manuals Provided	PDF Manuals Provided
User Guide	Yes	No	Yes
Read This First	Yes	No	Yes
Easy Search	No	Yes ^{*1}	Yes ^{*1 *2}
Getting Started	No	Yes ^{*1}	Yes ^{*1 *2}
Paper Specifications and Adding Paper	No	Yes ^{*1}	Yes ^{*1 *2}
Convenient Functions	No	Yes ^{*1}	Yes ^{*1 *2}
Maintenance and Specifications	No	Yes ^{*1}	Yes ^{*1 *2}
Troubleshooting	No	Yes ^{*1}	Yes ^{*1}
Copy/ Document Server	No	Yes ^{*1}	Yes ^{*1}
Print	No	Yes ^{*1}	Yes ^{*1}
Scan	No	Yes ^{*1}	Yes ^{*1}
Connecting the Machine/ System Settings	No	Yes ^{*1}	Yes ^{*1}
PostScript 3	No	Yes ^{*1}	Yes ^{*1}
Extended Feature Settings	No	Yes ^{*1}	Yes ^{*1}
Paper Settings	No	Yes ^{*1}	Yes ^{*1}
Security Guide	No	Yes	Yes
Guide to Paper	No	No	Yes ^{*1}
Scanner Driver Installation Guide	No	No	Yes ^{*1}
Printer Driver Installation Guide	No	No	Yes ^{*1}

*1 These manuals are available in English, German, French, Italian, Spanish, Dutch, and Russian.

*2 These manuals are gathered in "About This Machine".

How to Use the Operating Instructions

This chapter describes the operating instructions of this machine. The operating instructions are included in the supplied CD-ROM.

Formats of the Operating Instructions

The operating instructions of this machine are provided in the following formats:

- Printed manuals
- HTML manuals
- PDF manuals

For details about the contents of each manual, see page 5 "Manuals for This Machine". The various manuals are available in different formats. For details about availability, see page 7 "Manuals List".

Reading the HTML Manuals on the CD-ROM

This section describes how to read the HTML manuals on the supplied CD-ROM.

- 1. Insert the CD-ROM in the CD-ROM drive of your computer.**
- 2. Select a language, and then click [OK].**
- 3. Click [Read HTML manuals].**
- 4. Click the title of manual you want to read.**

The browser opens.

Note

- Recommended browsers:
 - Internet Explorer 8/9/10/11
 - Firefox 29
 - Safari 5.1.7
 - Chrome 35
- If you want to read the HTML manuals on a Macintosh, insert the CD-ROM in the CD-ROM drive, and then open "Manuals.htm".
- If JavaScript is disabled or unavailable in your browser, you will not be able to search or use certain buttons in the HTML documentation.
- HTML manuals are available in English, German, French, Italian, Spanish, Dutch, and Russian.

Installing and Opening the HTML Manuals

This section describes how to install and open the HTML manuals on your computer.

For your convenience, we recommend you install these manuals on your computer.

1. **Insert the CD-ROM in the CD-ROM drive of your computer.**
2. **Select a language, and then click [OK].**
3. **Click [Install manuals].**
4. **Install the HTML manuals by following the on-screen instructions.**
5. **When the installation is complete, click [Finish].**
6. **Click [Exit].**
7. **Open the HTML manuals that you installed.**

To open the manuals from an icon, double-click the icon on the desktop. To open the manuals from the [Start] menu, point to [All Programs], and then click [Product Name].

8. **Click the title of the manual you want to read.**

↓ Note

- You need administrator permissions to install the manuals. Log in as an Administrators group member.
- The system requirements for installing the manuals are as follows:
 - Operating system: Windows Vista/7/8/8.1, Windows Server 2003/2003 R2/2008/2008 R2/2012/2012 R2
 - Required display resolution is 1024 × 768 pixel or greater.
- If you cannot install a manual, copy the "MANUAL_HTML" folder to your computer's hard drive, and then run "setup.exe".
- To delete an installed manual, on the [Start] menu, point to [All Programs], click [Product Name], and then uninstall the data.
- Depending on the settings made during installation, menu folder names may differ.
- HTML manuals are available in English, German, French, Italian, Spanish, Dutch, and Russian.

Reading the PDF Manuals on the CD-ROM

This section describes how to read the PDF manuals on the supplied CD-ROM.

File path

The manuals are included in the following folder on the CD-ROM:

MANUAL_PDF*(1 language)*

1. Insert the CD-ROM in the CD-ROM drive of your computer.
2. Select a language, and then click [OK].
3. Click [Read PDF manuals].
4. Click the title of the manual you want to view.

 **Note**

- To view the PDF manuals, you need to have Adobe Reader installed on your computer.
- If you want to read the PDF manuals on a Macintosh, insert the CD-ROM in the CD-ROM drive, and then open "Manuals.htm".
- Scanner Driver Installation Guide and Printer Driver Installation Guide are available in English, German, French, Italian, Spanish, Dutch, and Russian.

2. Safety Information for This Machine

This chapter describes the safety precautions.

Safety Information

Safety During Operation

In this manual, the following important symbols are used:

- ⚠ WARNING**
Indicates a potentially hazardous situation which, if instructions are not followed, could result in death or serious injury.
- ⚠ CAUTION**
Indicates a potentially hazardous situation which, if instructions are not followed, may result in minor or moderate injury or damage to property.

Safety Precautions to Be Followed

This section explains safety precautions that should always be followed when using this machine.

Environments where the machine can be used

This section explains safety precautions about environments where the machine can be used.

- ⚠ WARNING**
 - Do not use flammable sprays or solvents in the vicinity of this machine. Also, avoid placing these items in the vicinity of this machine. Doing so could result in fire or electric shock.
 - Do not place vases, plant pots, cups, toiletries, medicines, small metal objects, or containers holding water or any other liquids, on or close to this machine. Fire or electric shock could result from spillage or if such objects or substances fall inside this machine.
- ⚠ CAUTION**
 - Keep the machine away from humidity and dust. Otherwise a fire or an electric shock might occur.
 - Do not place the machine on an unstable or tilted surface. If it topples over, an injury might occur.

CAUTION

- Do not place heavy objects on the machine. Doing so can cause the machine to topple over, possibly resulting in injury.
- Make sure the room where you are using the machine is well ventilated and spacious. Good ventilation is especially important when the machine is used heavily.
- Do not obstruct the machine's vents. Doing so risks fire caused by overheated internal components.

Handling power cords and power cord plugs

This section explains safety precautions about handling power cords and power cord plugs.

WARNING

- Do not use any power sources other than those that match the specifications shown. Doing so could result in fire or electric shock.
- Do not use any frequencies other than those that match the specifications shown. Doing so could result in fire or electric shock.
- Do not use multi-socket adaptors. Doing so could result in fire or electric shock.
- Do not use extension cords. Doing so could result in fire or electric shock.
- Do not use power cords that are damaged, broken, or modified. Also, do not use power cords that have been trapped under heavy objects, pulled hard, or bent severely. Doing so could result in fire or electric shock.
- Touching the prongs of the power cable's plug with anything metallic constitutes a fire and electric shock hazard.
- The supplied power cord is for use with this machine only. Do not use it with other appliances. Doing so could result in fire or electric shock.
- It is dangerous to handle the power cord plug with wet hands. Doing so could result in electric shock.
- If the power cord is damaged and its inner wires are exposed or broken, contact your service representative for a replacement. Use of damaged power cords could result in fire or electric shock.

⚠ WARNING

- Be sure to disconnect the plug from the wall outlet at least once a year and check for the following:
 - There are burn marks on the plug.
 - The prongs on the plug are deformed.
- If any of the above conditions exist, do not use the plug and consult your dealer or service representative. Use of the plug could result in fire or electric shock.

- Be sure to disconnect the power cord from the wall outlet at least once a year and check for the following:
 - The power cord's inner wires are exposed, broken, etc.
 - The power cord's coating has a crack or dent.
 - When bending the power cord, the power turns off and on.
 - Part of the power cord becomes hot.
 - The power cord is damaged.
- If any of the above conditions exist, do not use the power cord and consult your dealer or service representative. Use of the power cord could result in fire or electric shock.

- When this machine's circuit breaker is set to "Off", do not switch it to "On". Doing so could result in electric shock, fire, smoke, or tripping of the room's breakers.

⚠ CAUTION

- This machine uses two power cords. To stop the power supply of the machine completely, remove all power plugs. Unless all power plugs are removed, fire or electric shock may result.
- The capacity of power in this machine is 25 A and 5,000 W with both cords combined. Connect each cord to separate power sources with independent breakers. If you connect to an electrical outlet that is connected to the same breaker, the breaker may cut off power.
- Be sure to push the plug of the power cord fully into the wall outlet. Partially inserted plugs create an unstable connection that can result in unsafe buildup of heat.
- If this machine is not going to be used for several days or longer at a time, disconnect its power cord from the wall outlet.
- When disconnecting the power cord from the wall outlet, always pull the plug, not the cord. Pulling the cord can damage the power cord. Use of damaged power cords could result in fire or electric shock.

CAUTION

- Be sure to disconnect the plug from the wall outlet and clean the prongs and the area around the prongs at least once a year. Allowing dust to build up on the plug constitutes a fire hazard.
- When performing maintenance on the machine, always disconnect the power cord from the wall outlet.

Handling the main machine

This section explains safety precautions about handling the main machine.

WARNING

- Be sure to locate the machine as close as possible to a wall outlet. This will allow easy disconnection of the power cord in the event of an emergency.
- If the machine emits smoke or odours, or if it behaves unusually, you must turn off its power immediately. After turning off the power, be sure to disconnect the power cord plug from the wall outlet. Then contact your service representative and report the problem. Do not use the machine. Doing so could result in fire or electric shock.
- If metal objects, or water or other fluids fall inside this machine, you must turn off its power immediately. After turning off the power, be sure to disconnect the power cord plug from the wall outlet. Then contact your service representative and report the problem. Do not use the machine. Doing so could result in fire or electric shock.
- Do not touch this machine if a lightning strike occurs in the immediate vicinity. Doing so could result in electric shock.
- The following explains the warning messages on the plastic bag used in this product's packaging.
 - Keep the polythene materials (bags, etc.) supplied with this machine away from babies and small children at all times. Suffocation can result if polythene materials are brought into contact with the mouth or nose.

CAUTION

- Unplug the power cord from the wall outlet before you move the machine. While moving the machine, take care that the power cord is not damaged under the machine. Failing to take these precautions could result in fire or electric shock.
- After you move the machine, use the caster fixture to fix it in place. Otherwise the machine might move or come down to cause an injury.

⚠ CAUTION

- Contact your service representative if you need to lift the machine (such as when relocating it to another floor). Do not attempt to lift the machine without the assistance of your service representative. The machine will be damaged if it topples or is dropped, resulting in malfunction and risk of injury to users.
- Do not look into the lamp. It can damage your eyes.
- Do not hold the control panel while moving the machine. Doing so may damage the control panel, cause a malfunction, or result in injury.
- Keep your hands away from the hinges and exposure glass when lowering the ADF. Not doing so result in an injury if your hands or fingers are pinched.

Handling the machine's interior

This section explains safety precautions about handling the machine's interior.

⚠ WARNING

- Do not remove any covers or screws other than those explicitly mentioned in this manual. Inside this machine are high voltage components that are an electric shock hazard and laser components that could cause blindness. Contact your sales or service representative if any of the machine's internal components require maintenance, adjustment, or repair.
- Do not attempt to disassemble or modify this machine. Doing so risks burns and electric shock. Note again that exposure to the laser components inside this machine risks blindness.

⚠ CAUTION

- Some of this machine's internal components get very hot. For this reason, take care when removing misfed paper. Not doing so could result in burns.
- When removing jammed paper, make sure not to trap or injure your fingers.
- When loading paper, take care not to trap or injure your fingers.
- Keep your hands clear of the booklet finisher tray when removing misfed paper, pulling out or pushing in the finisher's staple unit. You can trap and injure your fingers if you do not.
- While safety measures have been installed to prevent accidents, you must not touch the machine's rollers while it is operating. Doing so could cause injury.

CAUTION

- If the machine's interior is not cleaned regularly, dust will accumulate. Fire and breakdown can result from heavy accumulation of dust inside this machine. Contact your sales or service representative for details about and charges for cleaning the machine's interior.
- Keep your hands clear of the inside of the ring binder and the space under the ring binder tray. You can trap your fingers if you do not.

Handling the machine's supplies

This section explains safety precautions about handling the machine's supplies.

WARNING

- Do not incinerate toner (new or used) or toner containers. Doing so risks burns. Toner will ignite on contact with naked flame.
- Do not store toner (new or used) or toner containers anywhere near naked flames. Doing so risks fire and burns. Toner will ignite on contact with naked flame.
- Do not use a vacuum cleaner to remove spilled toner (including used toner). Absorbed toner may cause a fire or explosion due to electrical contact flickering inside the vacuum cleaner. However, it is possible to use a vacuum cleaner that is explosion-proof and dust ignition-proof. If toner is spilled on the floor, remove the spilled toner slowly using a wet cloth, so that the toner is not scattered.
- The following explains the warning messages on the plastic bag used in this product's packaging.
 - Keep the polythene materials (bags, etc.) supplied with this machine away from babies and small children at all times. Suffocation can result if polythene materials are brought into contact with the mouth or nose.

CAUTION

- Do not crush or squeeze toner containers. Doing so can cause toner spillage, possibly resulting in dirtying of skin, clothing, and floor, and accidental ingestion.
- Store toner (new or used), toner containers, and components that have been in contact with toner out of reach of children.
- If toner or used toner is inhaled, gargle with plenty of water and move into a fresh air environment. Consult a doctor if necessary.

 CAUTION

- If toner or used toner gets into your eyes, flush immediately with large amounts of water. Consult a doctor if necessary.
- If toner or used toner is swallowed, dilute by drinking a large amount of water. Consult a doctor if necessary.
- When removing jammed paper or replacing toner, avoid getting toner (new or used) on your clothing. If toner comes into contact with your clothing, wash the stained area with cold water. Hot water will set the toner into the fabric and make removing the stain impossible.
- When removing jammed paper or replacing toner, avoid getting toner (new or used) on your skin. If toner comes into contact with your skin, wash the affected area thoroughly with soap and water.
- When replacing a toner or waste toner container or consumables with toner, make sure that the toner does not splatter. Put the waste consumables in a bag after they are removed. For consumables with a lid, make sure that the lid is shut.
- Do not attempt to print on stapled sheets, aluminum foil, carbon paper, or any kind of conductive paper. Doing so risks fire.
- Keep SD cards or USB flash memory devices out of reach of children. If a child accidentally swallows an SD card or USB flash memory device, consult a doctor immediately.
- When binding paper manually with ring opener, take care not to trap or injure fingers.

Safety Labels of This Machine

This section explains the machine's safety information labels.

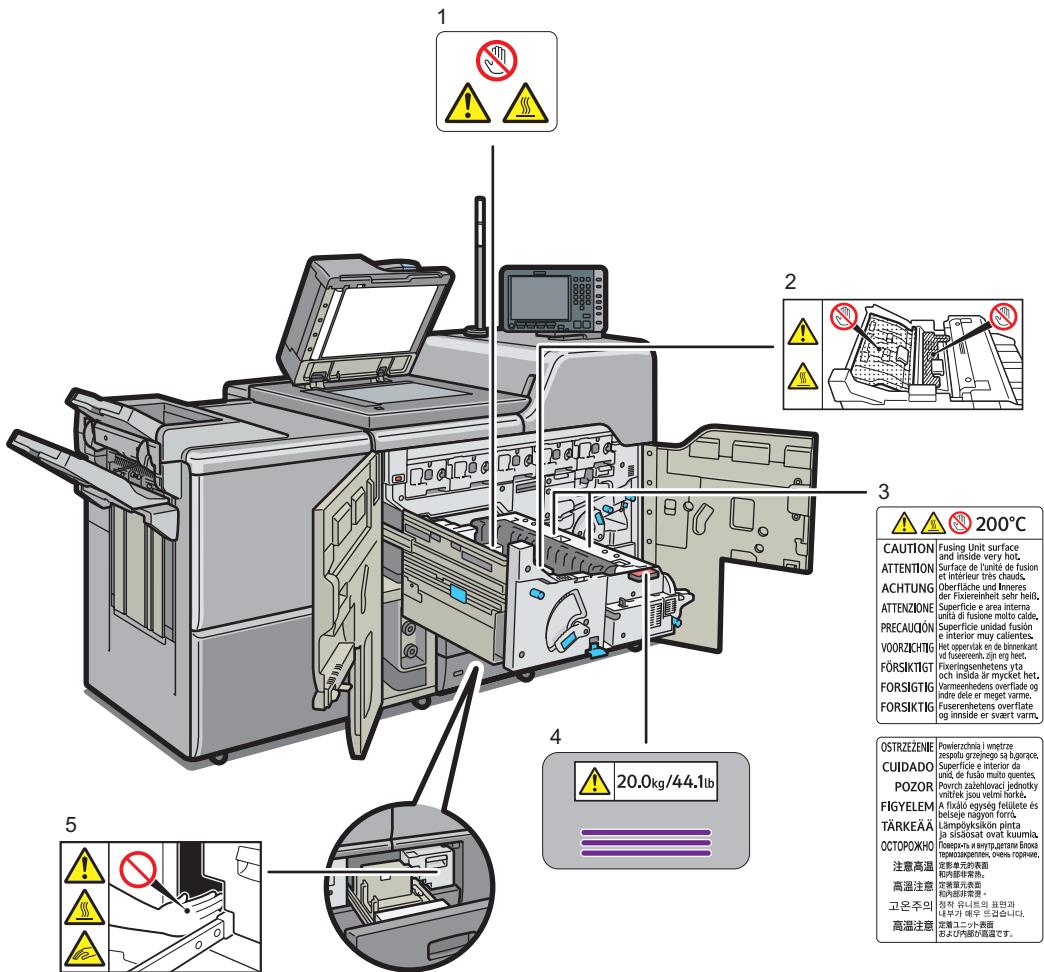
Positions of WARNING and CAUTION labels

2

This machine has labels for ⚠WARNING and ⚠CAUTION at the positions shown below. For safety, please follow the instructions and handle the machine as indicated.

Main unit

Front side



⚠ ⚠ ⚠ 200°C
CAUTION Fusing Unit surface and inside very hot.
ATTENTION Surface de l'unité de fusion et l'intérieur très chauds.
ACHTUNG Oberfläche und Inneres der Fixiereinheit sehr heiß.
ATTENZIONE Superficie e area interna unità di fusione molto calde.
PRECAUCIÓN Superficie unidad fusión e interior muy calientes.
VOORZICHTIG Het oppervlak en de binnenkant is fuserenheit zijn erg heet.
FÖRSIKTIG Fixeringsenhetens yta och insida är mycket het.
FORSIKTIG Fästmeehdens overflade og indre dele er meget varme.
FORSIKTIG Fuserenhetens overflata og insida är mycket varmt.

OSTRZEZENIE Powierzchnia i wnętrze zespołu grzejącego są bardzo gorące.
CUIDADO Superficie e interior da unidade de fusão muito quentes.
POZOR Povrch zařadňovací jednotky mívá vysokou teplotu.
FIGYELEM A fűző egység felülete és belsője nagyon forró.
TÄRKEÄÄ Lämpöyksikön pinta ja sisäosat ovat kuumia.
ОСТОРОЖНО Поверхность и внутренность блока термоагрегата очень горячие.
注意高温 定着單元表面及内部非常熱。
高温注意 定着單元表面及内部非常熱。
고온 주의 정착 유닛의 표면과 내부가 매우 뜨겁습니다.
高温注意 定着ユニット表面および内部が高温です。

⚠
20.0kg/44.1lb

1.

Do not touch the parts which a label is put on. The inside of the machine could be very hot. Caution should be taken when removing misfed paper.

2.

Do not touch the parts a label indicates. The inside of the machine could be very hot. Caution should be taken when removing misfed paper.

3.

Do not touch the parts a label indicates. The inside and surface of the fusing unit could be very hot. Caution should be taken when removing misfed paper.

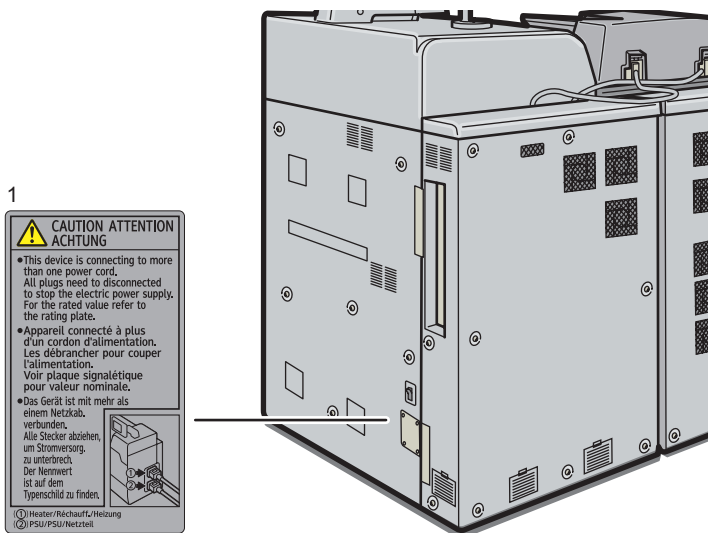
4.

This label indicates the weight of the unit. However, this label is meant for customer engineers and operators who have received training. Do not lift a unit that has this label.

5.

Keep your hands clear of the parts a label indicates. Otherwise, you might trap your fingers and an injury might occur.

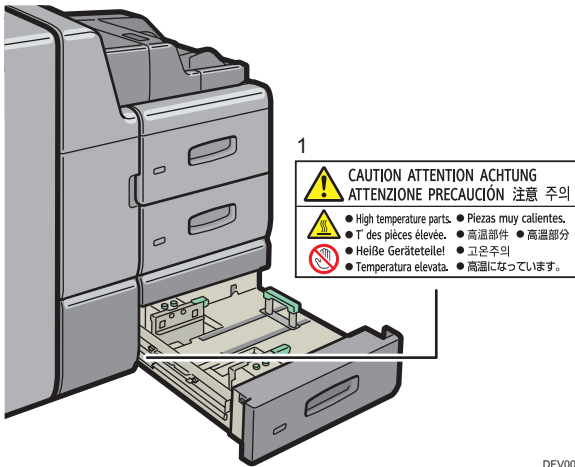
Right side



1.

This device is connecting to more than one power cord. All plugs need to be disconnected to stop the electric power supply. For the rated value refer to the rating plate.

Three-tray Wide LCT

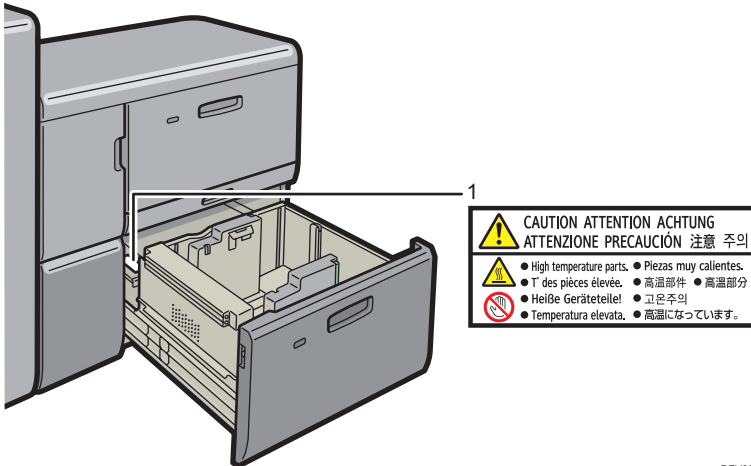


DFV008

1.

High temperature parts. Do not touch the parts which a label is put on. Otherwise, an injury might occur.

Two-tray Wide LCT

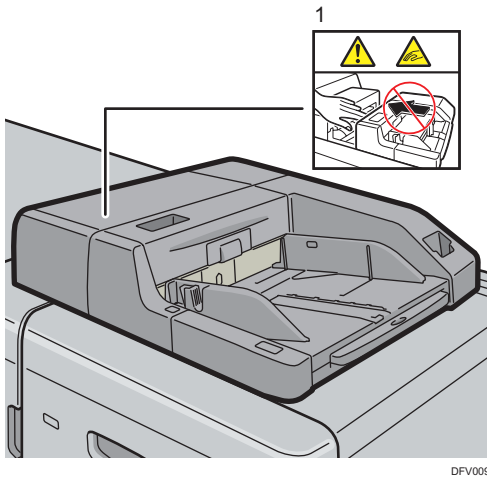


DFV003

1.

High temperature parts. Do not touch the parts which a label is put on. Otherwise, an injury might occur.

Multi bypass tray

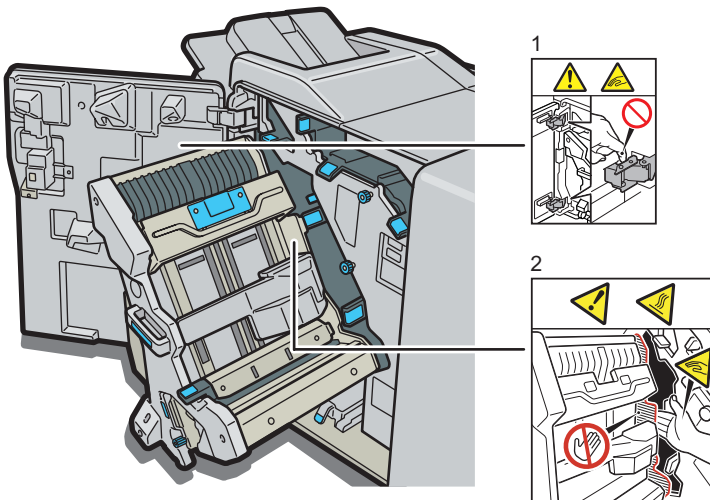


DFV009

1.

Keep your hands clear of the multi bypass tray when removing paper jam. You might trap your fingers if you do not.

Finisher SR5050



DFV010

1.

When opening and closing the front cover of Finisher SR5050, keep your hands clear of the hinges. The hinges are a hazard. You risk trapping your fingers if you do not keep your hands clear of them.

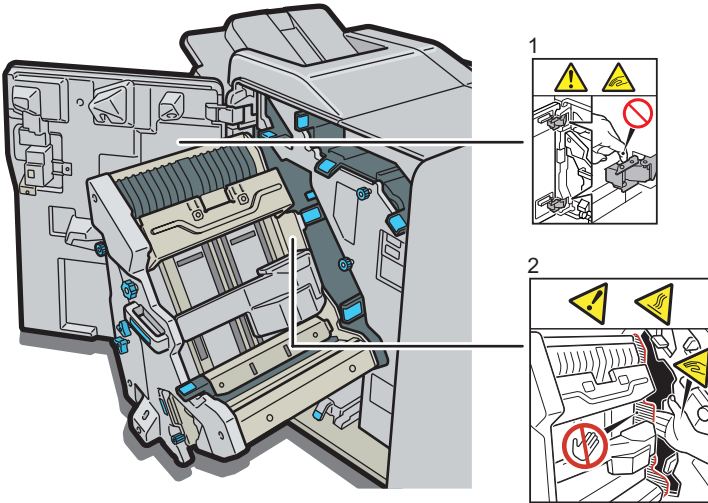
2.

The inside of Finisher SR5050 could be very hot. Keep your hands clear of the parts a label indicates. You might trap your fingers and an injury might occur.

Booklet Finisher SR5060

Right side

2



DFV011

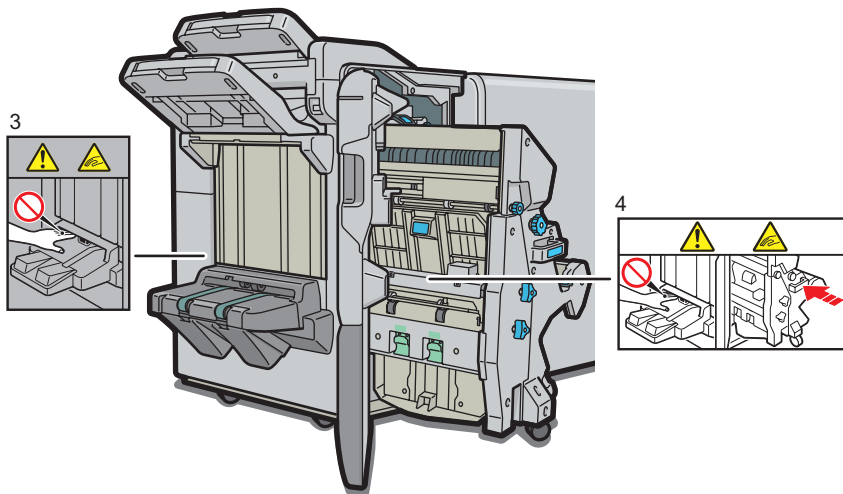
1.

When opening and closing the front cover of Booklet Finisher SR5060, keep your hands clear of the hinges. The hinges are a hazard. You risk trapping your fingers if you do not keep your hands clear of them.

2.

The inside of Booklet Finisher SR5060 could be very hot. Keep your hands clear of the parts a label indicates. You might trap your fingers and an injury might occur.

Left side



DFV012

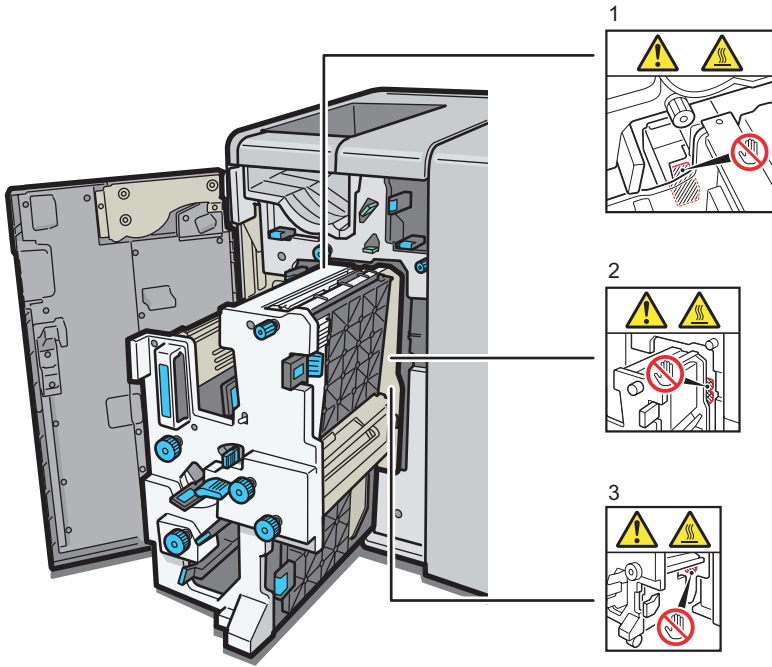
3.

Keep your hands clear of the booklet finisher tray when pulling out or pushing in the finisher's staple unit, or removing paper jam. You might trap your fingers if you do not. Take care not to touch the booklet finisher tray during operation. Otherwise, an injury might occur.

4.

Keep your hands clear of the booklet finisher tray when pulling out or pushing in the finisher's staple unit, or removing paper jam. You might trap your fingers if you do not.

Multi-Folding Unit

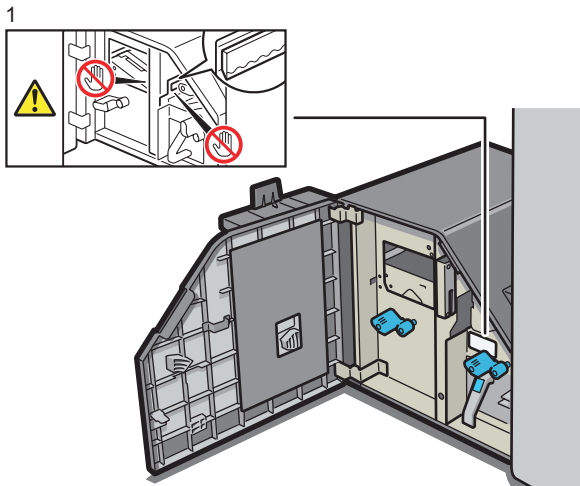


DFV013

1, 2, and 3.

Do not touch the parts a label indicates. The inside of the multi-folding unit could be very hot. Caution should be taken when removing misfed paper.

Trimmer Unit

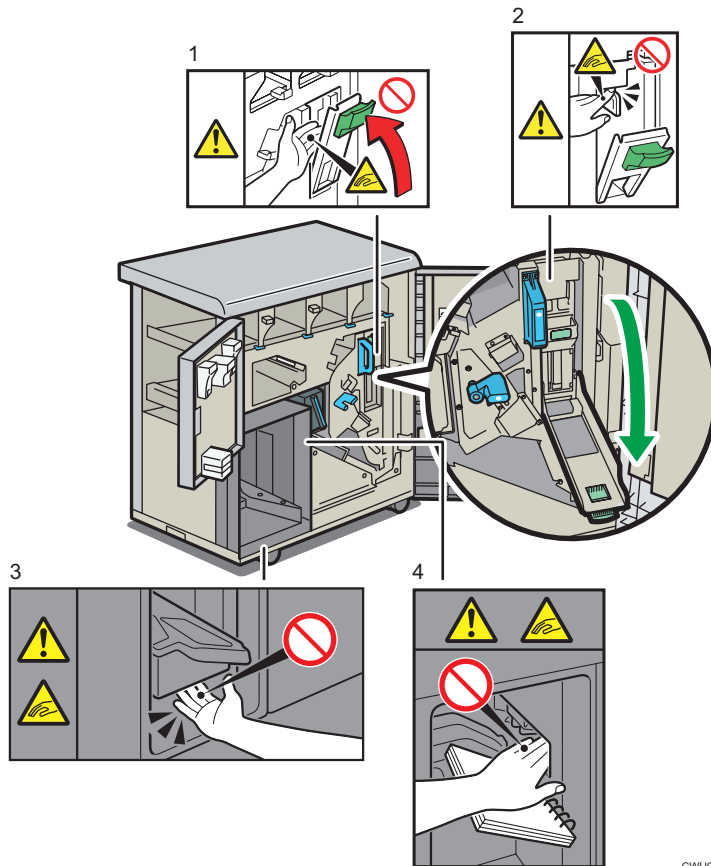


DFV014

1.

Keep your hands clear of the internal cutting blade when you are removing jammed paper. Not doing so risks injury to your fingers from the cutting blade.

Ring Binder



CWU008

1.

Keep your other hand clear when closing the cartridge cover. You might trap your fingers if you do not.

2.

Keep your hands clear of the parts a label indicates. Otherwise, you might trap your fingers and an injury might occur.

3.

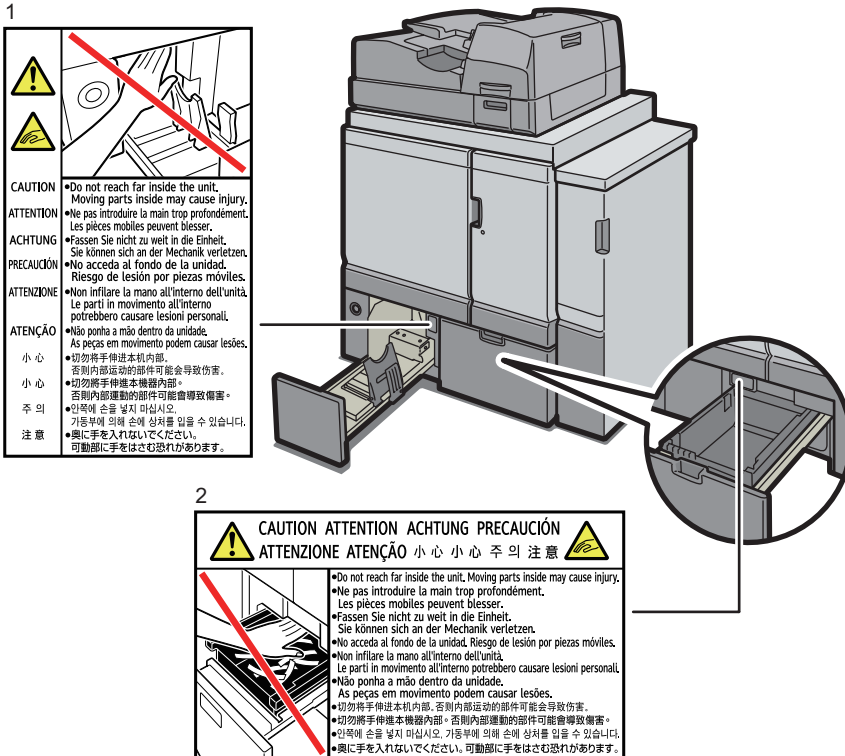
When the ring binder is in operation, keep your hands clear of the ring binder tray. You might trap your fingers if you do not.

4.

When removing bound booklets, keep your hands clear of the paper exit. You might trap your fingers if you do not.

Perfect Binder

2



CWU009

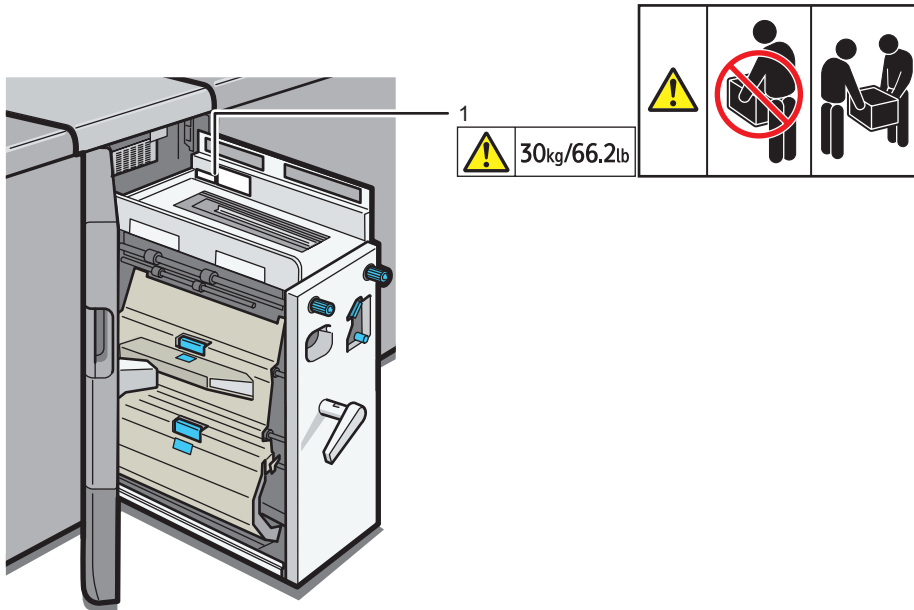
1.

When removing bound booklets, keep your hands clear of the perfect binder's lower left tray. You might trap your fingers if you do not.

2.

Do not reach far inside the unit. Moving parts inside may cause injury.

Buffer Pass Unit



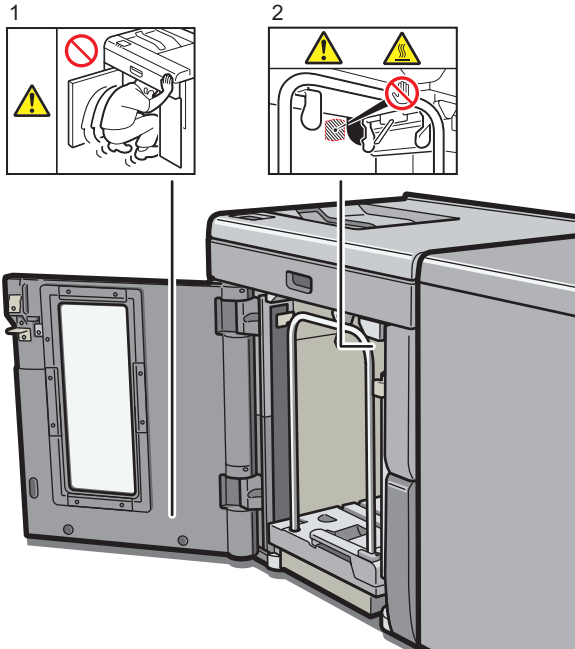
2

1.

These labels indicate the weight of the unit and describe how to lift the unit. However, these labels are meant for customer engineers. Do not lift a unit that has these labels.

DFV004

High Capacity Stacker



DFV005

1.

Do not attempt to get inside the high capacity stacker. Otherwise, an injury might occur.

2.

Do not touch the parts a label indicates. The inside of the high capacity stacker could be very hot. Caution should be taken when removing misfed paper.

Power Switch Symbols

The meanings of the symbols for the switches on this machine are as follows:

- I : POWER ON
- O : POWER OFF
- ⏻ : STANDBY

3. Other Information for This Machine

This chapter describes laws and regulations related to this machine.

Laws and Regulations

Duplication and Printing Prohibited

Do not copy or print any item for which reproduction is prohibited by law.

Copying or printing the following items is generally prohibited by local law:

bank notes, revenue stamps, bonds, stock certificates, bank drafts, checks, passports, driver's licenses.

The preceding list is meant as a guide only and is not inclusive. We assume no responsibility for its completeness or accuracy. If you have any questions concerning the legality of copying or printing certain items, consult with your legal advisor.

Laser Safety

Laser Safety for Type 1 and 3

CDRH Regulations

This equipment complies with requirements of 21 CFR Subchapter J for class I laser product. This equipment contains four VCSELs (Vertical Cavity Surface Emitting Laser), 772–792 nanometer wavelength. The beam divergence angle is 5.5 degrees (minimum) and 7.9 degrees (maximum) in the vertical direction, and 5.5 degrees (minimum) and 7.9 degrees (maximum) in the horizontal direction, and laser beams are generated in Continuous Wave (CW) mode. The VCSEL has forty light sources and the maximum output power of each light source is 1.23 milliwatt.

Caution

Use of controls or adjustments or performance of procedures other than those specified in this manual might result in hazardous radiation exposure.

Laser Safety for Type 2 and 4

CDRH Regulations

This equipment complies with requirements of 21 CFR Subchapter J for class I laser product. This equipment contains five VCSELs (Vertical Cavity Surface Emitting Laser), 772–792 nanometer wavelength. The beam divergence angle is 5.5 degrees (minimum) and 7.9 degrees (maximum) in the vertical direction, and 5.5 degrees (minimum) and 7.9 degrees (maximum) in the horizontal direction,

and laser beams are generated in Continuous Wave (CW) mode. The VCSEL has forty light sources and the maximum output power of each light source is 1.23 milliwatt.

Caution

Use of controls or adjustments or performance of procedures other than those specified in this manual might result in hazardous radiation exposure.

Laser Safety for Media Identification Unit Type S3

3

CDRH Regulations

Media Identification Unit (optional) complies with 21 CFR 1040.10 and 1040.11 except for deviations pursuant to Laser Notice No.50, dated June 24, 2007. Media Identification Unit contains one VCSEL (Vertical Cavity Surface Emitting Laser), 772–792 nanometer wavelength. The beam divergence angle is 5.3 degrees (minimum) and 7.9 degrees (maximum) in the vertical direction, and 5.3 degrees (minimum) and 7.9 degrees (maximum) in the horizontal direction, and laser beams are generated in Continuous Wave (CW) mode. The VCSEL has twelve light sources and the maximum total output power is 2.5 milliwatt.

Caution

Use of controls or adjustments or performance of procedures other than those specified in this manual might result in hazardous radiation exposure.

Notes to USA Users of FCC Requirements

Part 15 of the FCC Rules

This device complies with part 15 of the FCC Rules.

Operation is subject to the following two conditions:

- (1) This device may not cause harmful interference, and
- (2) This device must accept any interference received, including interference that may cause undesired operation.

Note:

This equipment has been tested and found to comply with the limits for a Class A digital device, pursuant to Part 15 of the FCC Rules. These limits are designed to provide reasonable protection against harmful interference when the equipment is operated in a commercial environment. This equipment generates, uses and can radiate radio frequency energy and, if not installed and used in accordance with the instruction manual, may cause harmful interference to radio communications. Operation of this equipment in a residential area is likely to cause harmful interference in which case the user will be required to correct the interference at his own expense.

Installing the Ferrite Core

The USB interface cable of the control panel with a ferrite core must be used for RF interference suppression. Install the ferrite core after looping the USB interface cable twice.

For Type 2 and 4

FCC CAUTION

Changes or modifications not expressly approved by the party responsible for compliance could void the user's authority to operate the equipment.

3

Notes to Canadian Users of IC Rules for Type 2 and 4

Notes to users in Canada

This device complies with Industry Canada licence-exempt RSS standard(s).

Operation is subject to the following two conditions:

- (1) this device may not cause interference, and
- (2) this device must accept any interference, including interference that may cause undesired operation of the device.

Remarques à l'attention des utilisateurs canadiens

Le présent appareil est conforme aux CNR d'Industrie Canada applicables aux appareils radio exempts de licence.

L'exploitation est autorisée aux deux conditions suivantes :

- (1) l'appareil ne doit pas produire de brouillage, et
- (2) l'utilisateur de l'appareil doit accepter tout brouillage radioélectrique subi, même si le brouillage est susceptible d'en compromettre le fonctionnement.

4. Appendix

This appendix describes trademarks for the machine.

Trademarks

Adobe, PostScript, PostScript 3, and Reader are either registered trademarks or trademarks of Adobe Systems Incorporated in the United States and/or other countries.

Firefox is a registered trademark of the Mozilla Foundation.

Google and Chrome™ browser are trademarks of Google Inc.

Microsoft, Windows, and Internet Explorer are either registered trademarks or trademarks of Microsoft Corporation in the United States and/or other countries.

Safari is a trademark of Apple Inc., registered in the United States and other countries.

The SD is a trademark of SD-3C, LLC.

The proper names of Internet Explorer 8, 9, 10 and 11 are as follows:

- Windows® Internet Explorer® 8
- Windows® Internet Explorer® 9
- Internet Explorer® 10
- Internet Explorer® 11

Other product names used herein are for identification purposes only and might be trademarks of their respective companies. We disclaim any and all rights to those marks.

MEMO

MEMO

MEMO