



CLP37DN/CLP42DN
SP C430DN/SP C431DN
LPI37CN/LPI42CN
Aficio SP C430DN/SP C431DN

Safety Information

English

Safety Information

English

Safety Information

English

Safety Information

English



Information

Introduction

This manual contains detailed instructions and notes on the operation and use of this machine. For your safety and benefit, read this manual carefully before using the machine. Keep this manual in a handy place for quick reference.

Important

Contents of this manual are subject to change without prior notice.

In no event will the company be liable for direct, indirect, special, incidental, or consequential damages as a result of handling or operating the machine.

.....

Notes:

Some illustrations in this manual might be slightly different from the machine.

Certain options might not be available in some countries. For details, please contact your local dealer.

Depending on which country you are in, certain units may be optional. For details, please contact your local dealer.

.....

Caution

For good print quality, the manufacturer recommends that you use genuine toner from the manufacturer.

The manufacturer shall not be responsible for any damage or expense that might result from the use of parts other than genuine parts from the manufacturer with your office products.



Notes

The model names of the machines do not appear in the following pages. Check the type of your machine before reading this manual. (For details, see "Machine Types", Hardware Guide in the CD-ROM.)

- Type 1: CLP37DN/SP C430DN/LP137CN/Aficio SP C430DN
- Type 2: CLP42DN/SP C431DN/LP142CN/Aficio SP C431DN

Certain types might not be available in some countries. For details, please contact your local dealer.

Two kinds of size notation are employed in this manual. With this machine refer to the inch version.

Power Source

120 - 127 V, 50/60 Hz, 12 A or more

Please be sure to connect the power cable to a power source as above.

Laws and Regulations

Legal Prohibition

Do not copy or print any item for which reproduction is prohibited by law.

Copying or printing the following items is generally prohibited by local law: bank notes, revenue stamps, bonds, stock certificates, bank drafts, checks, passports, driver's licenses.

The preceding list is meant as a guide only and is not inclusive. We assume no responsibility for its completeness or accuracy. If you have any questions concerning the legality of copying or printing certain items, consult with your legal advisor.

Laser Safety

CDRH Regulations

This equipment complies with requirements of 21 CFR subchapter J for class 1 laser products.

This equipment contains one AlGaInP laser diode, with 15 milliwatt, 657 - 663 nanometer wavelength.

This equipment does not emit hazardous light, since the beam is totally enclosed during all customer modes of operation and maintenance.

Caution:

Use of controls or adjustments or performance of procedures other than those specified in this manual might result in hazardous radiation exposure.

FCC Rules and IC Rules

Warning:

This device complies with part 15 of the FCC Rules and RSS-Gen of IC Rules.

Operation is subject to the following two conditions:

1. This device may not cause harmful interference, and
2. This device must accept any interference received, including interference that may cause undesired operation.

Changes or modifications not expressly approved by the party responsible for compliance could void the user's authority to operate the equipment.

This device must not be co-located or operated in conjunction with any other antenna or transmitter except for Wireless LAN module R-WL54CN (FCC ID: BBP-WLRWL541) which performed co-location testing.

Note to users in the United States of America

FCC Rules

❖ Declaration of Conformity

This device complies with Part 15 of the FCC Rules.

Operation is subject to the following two conditions:

- (1) This device may not cause harmful interference, and
- (2) this device must accept any interference received, including interference that may cause undesired operation.

Responsible party: Ricoh Americas Corporation.

Address: 5 Dedrick Place, West Caldwell, NJ 07006

Telephone number: 973-882-2000

Product Name: Laser Printer

Model Number: CLP37DN/SP C430DN/LP137CN/Aficio SP C430DN
CLP42DN/SP C431DN/LP142CN/Aficio SP C431DN

❖ Note

This equipment has been tested and found to comply with the limits for a Class B digital device, pursuant to Part 15 of the FCC Rules. These limits are designed to provide reasonable protection against harmful interference in a residential installation. This equipment generates, uses and can radiate radio frequency energy and, if not installed and used in accordance with the instructions, may cause harmful interference to radio communications. However, there is no guarantee that interference will not occur in a particular installation. If this equipment does cause harmful interference to radio or television reception, which can be determined by turning the equipment off and on, the user is encouraged to try to correct the interference by one or more of the following measures:

- Reorient or relocate the receiving antenna.
- Increase the separation between the equipment and receiver.
- Connect the equipment into an outlet on a circuit different from that to which the receiver is connected.
- Consult the dealer or an experienced radio /TV technician for help.

❖ Caution

Changes or modifications not expressly approved by the party responsible for compliance could void the user's authority to operate the equipment.



Notes on lamp(s) inside this machine

LAMP(S) INSIDE THIS PRODUCT CONTAIN MERCURY AND MUST BE RECYCLED OR DISPOSED OF ACCORDING TO LOCAL, STATE OR FEDERAL LAWS.

Notes to users in the state of California

Perchlorate Material - special handling may apply, See www.dtsc.ca.gov/hazardouswaste/perchlorate

Note to users in Canada

Note

This Class B digital apparatus complies with Canadian ICES- 003.

Remarque concernant les utilisateurs au Canada

Avertissement

Cet appareil numérique de la classe B est conforme à la norme NMB-003 du Canada.



Safety Information

When using this machine, the following safety precautions should always be followed.

Safety During Operation

In this manual, the following important symbols are used:

⚠ WARNING:

Indicates a potentially hazardous situation which, if instructions are not followed, could result in death or serious injury.

⚠ CAUTION:

Indicates a potentially hazardous situation which, if instructions are not followed, may result in minor or moderate injury or damage to property.

Safety Precautions to be Followed

This section explains safety precautions that should always be followed when using this machine.

Environments where the machine can be used

This section explains safety precautions about environments where the machine can be used.

⚠ WARNING:

- ***Do not use flammable sprays or solvents in the vicinity of this machine. Doing so could result in fire or electric shock.***
- ***Do not place vases, plant pots, cups, toiletries, medicines, small metal objects, or containers holding water or any other liquids, on or close to this machine. Fire or electric shock could result from spillage or if such objects or substances fall inside this machine.***

⚠ CAUTION:

- *Keep the machine away from humidity and dust. Otherwise a fire or an electric shock might occur.*
- *Do not place the machine on an unstable or tilted surface. If it topples over, an injury might occur.*
- *Do not place heavy objects on the machine. Doing so can cause the machine to topple over, possibly resulting in injury.*

• *Make sure the room where you are using the machine is well ventilated and spacious. Good ventilation is especially important when the machine is used heavily.*

• *Do not obstruct the machine's vents. Doing so risks fire caused by overheated internal components.*

• *When new, electrical devices containing volatile materials will normally release emissions into the air of their vicinity. For this reason, for the first few days after installation of a new device, strong ventilation inside the room where it is placed is necessary.*

• *Machine sound levels exceeding LWAd > 63 dB (A) are not suitable for desk work environments, so place the machine in another room.*

• *The tip-resistant caster table is required if the printer is to be used while placed on the floor with the optional paper feed unit installed. Not using the tip-resistant caster table risks injury to users and damage to the printer resulting from toppling. The tip-resistant caster table can only be installed by a service representative. Contact your service representative for details.*

 **Note**

- To avoid possible build-up of ozone, make sure to locate this machine in a large well ventilated room that has an air turnover of more than 30 m³/hr/person.

Handling power cords and power plugs

This section explains safety precautions about handling power cords and power plugs.

⚠ WARNING:

• *If the power cord is damaged and its inner wires are exposed or broken, contact your service representative for a replacement. Use of damaged power cords could result in fire or electric shock.*

• *Do not use any power sources other than those that matches the specifications shown in this manual. Doing so could result in fire or electric shock.*

• *Do not use any frequencies other than those that match the specifications shown. Doing so could result in fire or electric shock.*

• *Do not use multi-socket adaptors. Doing so could result in fire or electric shock.*

- ***Do not use extension cords. Doing so could result in fire or electric shock.***
- ***Do not use power cords that are damaged, broken, or modified. Also, do not use power cords that have been trapped under heavy objects, pulled hard, or bent severely. Doing so could result in fire or electric shock.***
- ***Touching the prongs of the power cable's plug with anything metallic constitutes a fire and electric shock hazard.***
- ***The supplied power cord is for use with this machine only. Do not use it with other appliances. Doing so could result in fire or electric shock.***
- ***It is dangerous to handle the power cord plug with wet hands. Doing so could result in electric shock.***

⚠ CAUTION:

- ***Be sure to push the plug of the power cord fully into the wall outlet. Partially inserted plugs create an unstable connection that can result in unsafe buildup of heat.***
- ***If this machine is not going to be used for several days or longer at a time, disconnect its power cord from the wall outlet.***
- ***When disconnecting the power cord from the wall outlet, always pull the plug, not the cord. Pulling the cord can damage the power cord. Use of damaged power cords could result in fire or electric shock.***
- ***Be sure to disconnect the plug from the wall outlet and clean the prongs and the area around the prongs at least once a year. Allowing dust to build up on the plug constitutes a fire hazard.***
- ***When performing maintenance on the machine, always disconnect the power cord from the wall outlet.***

Handling the main machine

This section explains safety precautions about handling the main machine.

⚠ WARNING:

- ***Be sure to locate the machine as close as possible to a wall outlet. This will allow easy disconnection of the power cord in the event of an emergency.***

• *If the machine emits smoke or odours, or if it behaves unusually, you must turn off its power immediately by pressing the power switch. After turning off the power, be sure to disconnect the power cord plug from the wall outlet. Then contact your service representative and report the problem. Do not use the machine. Doing so could result in fire or electric shock.*

• *If metal objects, or water or other fluids fall inside this machine, you must turn off its power immediately by pressing the power switch. After turning off the power, be sure to disconnect the power cord plug from the wall outlet. Then contact your sales or service representative and report the problem. Do not use the machine. Doing so could result in fire or electric shock.*

• *If the machine topples, or if a cover or other part gets broken, you must turn the power switch to off and disconnect the power cord plug from the wall outlet. Then contact your service representative and report the problem. Do not use the machine. Doing so could result in fire or electric shock.*

• *Do not touch this machine if a lightning strike occurs in the immediate vicinity. Doing so could result in electric shock.*

• *Keep the polythene materials (bags, etc.) supplied with this machine away from babies and small children at all times. Suffocation can result if polythene materials are brought into contact with the mouth or nose.*

⚠ CAUTION:

• *Unplug the power cord from the wall outlet before you move the machine. While moving the machine, take care that the power cord is not damaged under the machine. Failing to take these precautions could result in fire or electric shock.*

• *Before installing or removing options, always remove the power cords from the wall outlet and allow time for the main unit to fully cool. Failing to take these precautions could result in burns.*

• *For environmental reasons, do not dispose of the machine or expended supply waste at household waste collection points. Disposal can take place at an authorized dealer.*

• *When moving the machine, hold the inset grips at both sides, and then lift the printer slowly. Lifting it carelessly or dropping it may cause an injury.*

⚠ Important

- Rating voltage of the connector for options: Max. DC 24 V.
- Voltage must not fluctuate more than 10%.

Handling the machine's interior

This section explains safety precautions about handling the machine's interior.

⚠ WARNING:

- ***Do not remove any covers or screws other than those explicitly mentioned in this manual. Inside this machine are high voltage components that are an electric shock hazard and laser components that could cause blindness. Contact your sales or service representative if any of the machine's internal components require maintenance, adjustment, or repair.***
- ***Do not attempt to disassemble or modify this machine. Doing so risks burns and electric shock. Note again that exposure to the laser components inside this machine risks blindness.***

⚠ CAUTION:

- *Some of this machine's internal components get very hot. For this reason, take care when removing misfed paper. Not doing so could result in burns.*
- *The fusing section of this machine might be very hot. Caution should be taken when removing misfed paper.*
- *The inside of the machine could be very hot. Do not touch the parts with a label indicating the "hot surface". Otherwise, an injury might occur.*
- *When loading paper, take care not to trap or injure your fingers.*
- *During operation, rollers for transporting the paper and originals revolve. A safety device has been installed so that the machine can be operated safely. But take care not to touch the machine during operation. Otherwise, an injury might occur.*
- *If the machine's interior is not cleaned regularly, dust will accumulate. Fire and breakdown can result from heavy accumulation of dust inside this machine. Contact your sales or service representative for details about and charges for cleaning the machine's interior.*
- *Do not pull out the paper tray forcefully. If you do, the tray might fall and cause an injury.*
- *Do not touch the inside of the controller board compartment. It may cause a machine malfunction or a burn.*
- *Risk of explosion if battery is replaced by an incorrect type. Dispose of used batteries according to the instructions.*

Handling the machine's supplies

This section explains safety precautions about handling the machine's supplies.

WARNING:

- *Do not incinerate toner (new or used) or toner containers. Doing so risks burns. Toner will ignite on contact with naked flame.*
 - *Do not store toner (new or used) or toner containers anywhere near naked flames. Doing so risks fire and burns. Toner will ignite on contact with naked flame.*
 - *Keep the polythene materials (bags, gloves, etc.) supplied with this machine away from babies and small children at all times. Suffocation can result if polythene materials are brought into contact with the mouth or nose.*
-

CAUTION:

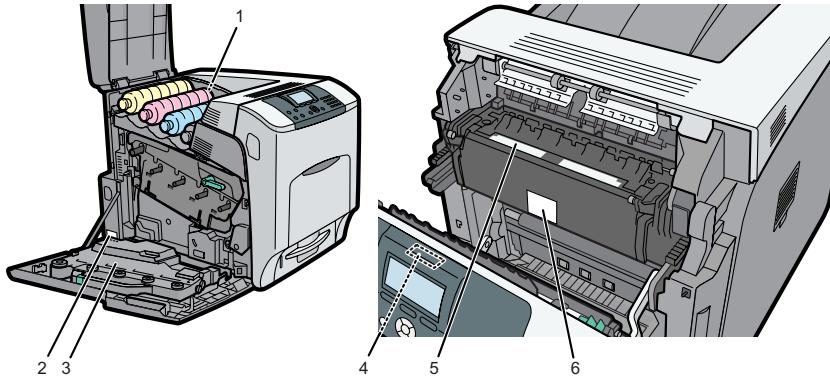
- *Do not crush or squeeze toner containers. Doing so can cause toner spillage, possibly resulting in dirtying of skin, clothing, and floor, and accidental ingestion.*
- *Keep toner (used or unused) and toner containers out of reach of children.*
- *If toner or used toner is inhaled, gargle with plenty of water and move into a fresh air environment. Consult a doctor if necessary.*
- *If toner or used toner gets into your eyes, flush immediately with large amounts of water. Consult a doctor if necessary.*
- *If toner or used toner is swallowed, dilute by drinking a large amount of water. Consult a doctor if necessary.*
- *When removing jammed paper or replacing toner, avoid getting toner (new or used) on your clothing. If toner comes into contact with your clothing, wash the stained area with cold water. Hot water will set the toner into the fabric and make removing the stain impossible.*
- *When removing jammed paper or replacing toner, avoid getting toner (new or used) on your skin. If toner comes into contact with your skin, wash the affected area thoroughly with soap and water.*
- *Do not use any other type of conductive paper. Doing so risks fire.*

Safety Labels of This Machine

This section explains the machine's safety information labels.

Positions of ⚠️ WARNING and ⚠️ CAUTION labels

This machine has labels for ⚠️ WARNING and ⚠️ CAUTION at the positions shown below. For safety, please follow the instructions and handle the machine as indicated.



1



BYK140

Do not incinerate spilled toner or used toner. Toner dust is flammable and might ignite when exposed to an open flame.

Disposal should take place at an authorized dealer or an appropriate collection site. If you dispose of the used toner containers yourself, dispose of them according to local regulations.

2



BYK144

The printer weights approximately 57 kg (126 lb.).

Four people are required to move the printer. Hold the inset grips located on both sides, and then lift it slowly. Lifting it carelessly or dropping it may cause an injury.

3



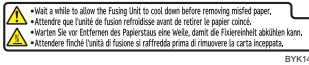
Do not incinerate used toner or toner containers. Toner dust might ignite when exposed to an open flame.

4



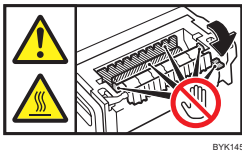
Some parts of the Transfer roller may be charged with high voltage, and pose electric shock hazard. Do not touch parts other than the ones specified in the maintenance guide.

5



High temperature parts. Turn off the main power and be careful when replacing fusing unit/removing misfed paper.

6



The inside of this printer becomes very hot. Do not touch parts labelled "△" (indicating a hot surface). Touching these parts will result in burns.

Power Switch Symbols

The meanings of the symbols for the switches on this machine are as follows:

- **I** :POWER ON.
- **O** :POWER OFF.
- **⏻** :STANDBY.

ENERGY STAR Program

ENERGY STAR® Program Requirements for Imaging Equipment



The ENERGY STAR® Program Requirements for Imaging Equipment encourage energy conservation by promoting energy efficient computers and other office equipment. The program backs the development and dissemination of products that feature energy saving functions.

It is an open program in which manufacturers participate voluntarily.

Targeted products are computers, monitors, printers, facsimiles, copiers, scanners, and multi-function devices. Energy Star standards and logos are internationally uniform.

This machine is equipped with the following Energy Saver modes: Panel Off Mode, Energy Saver Mode, and Auto Off Mode. The machine recovers from Energy Saver mode when it receives a print job, or when the any key is pressed. For more information about how to configure Energy Saver modes, see "Making Printer Settings Using the Control Panel", Software Guide as a HTML file on the CD-ROM.

❖ Panel Off Mode

The default delay time the machine waits before entering Panel Off Mode is 10 seconds. This default time can be changed.

❖ Energy Saver Mode (Low Power Mode)

If this machine remains idle for a specified period, it automatically reduces its electrical consumption.

The default delay time the machine waits before entering Energy Saver Mode is 1 minute. This default time can be changed.

❖ Auto Off Mode (Sleep Mode)

If this machine is already in Low Power mode and remains idle for a specified period, it automatically enters Sleep mode to further reduce its electrical consumption.

The default delay time the machine waits before entering Auto Off Mode is 11 minutes. This default time can be changed.

The machine can print jobs from computers while in Sleep mode.

❖ Specifications

| | | |
|---------------------------------------|-------------------|--|
| Panel Off Mode | Power Consumption | 150 W or less |
| | Default Time | 10 seconds |
| | Recovery Time | 10 seconds |
| Energy Saver Mode (Low Power Mode) | Power Consumption | 110 W or less |
| | Default Time | 1 minute |
| | Recovery Time | Type 1: 24 seconds or less Type 2: 26 seconds or less |
| Auto Off Mode (Sleep Mode) | Power Consumption | 6 W or less |
| | Default Time | 11 minutes |
| | Recovery Time | Type 1: 47 seconds or less Type 2: 50 seconds or less |

Recycled Paper

We recommend use of recycled paper which is environment friendly. Please contact your sales representative for recommended paper.

