



## INSTALLATION INSTRUCTIONS

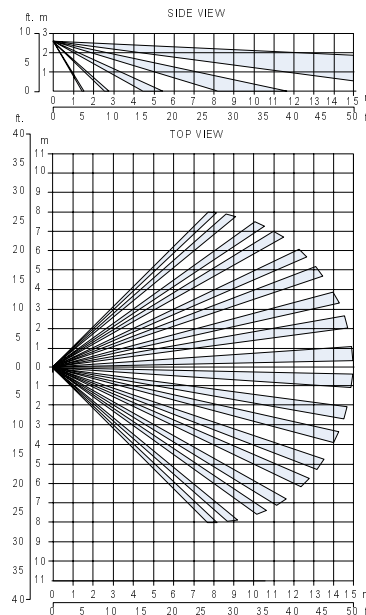
### DESCRIPTION

iWAVE Digital Wireless detectors are bidirectional detectors based on PIR technology. Being bi-directional enables the detectors to receive an acknowledgment from the panel for every transmission they send, and to perform Remote Control & Diagnostics of the detector from the panel keypad or Configuration software. These instructions refer both to the PIR model and to the PIR Pet Friendly model.

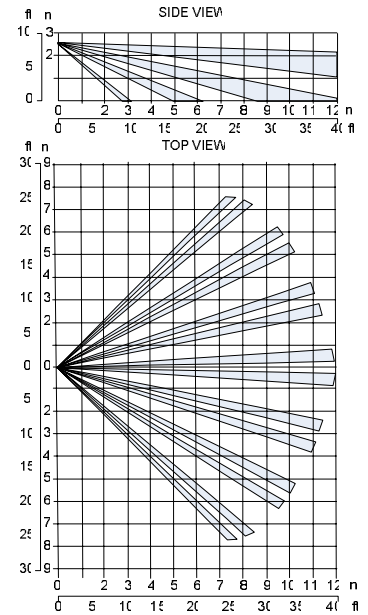
### Main Features

- Coverage:
  - PIR: 15m x 15m (50ft x 50ft)
  - Pet: 12m x 12m (40ft x 40ft)
- Mounting height: 2.2m to 2.5m (7ft to 8ft)
- True Temperature Compensation
- Detection Technology:
  - PIR: Intelligent Digital Signal Processing
  - Pet: Variable Pet Threshold Algorithm (VPT™)
- Long-life 3V lithium battery (Supplied)
- Protective sensor sleeve to prevent false alarm from insects
- Pigmented lens for white light protection to prevent false alarms
- Wall tamper
- Pet immunity: Up to a 36kg (80lb) dog (Pet model only)

*PIR Model Coverage Pattern*



*Pet Friendly Model Coverage Pattern*



### INSTALLATION

#### Step 1: Preliminary Considerations

1. Select the mounting location for best coverage of the area that is to be protected. (see Coverage Patterns)  
Pay attention to the following:
  - Do not mount the detector in direct sunlight or near heated sources and metal objects
  - Detection sectors should be pointed towards either the wall or the floor and not towards windows and curtains.
  - Select mounting height according to the coverage patterns.

#### Step 2: Registering the Detector into the system

The iWave must identify itself to the system receiver. This can be done by typing the 11 digit serial number of the detector into the system or using RF mode. To register the detectors using the serial number refer to the system installation manual.

#### Enrolling using RF communication

1. Set the receiver to Learn mode.
2. Insert the batteries and press the tamper switch for at least 3 seconds. The iWAVE will send a WRITE message. A successful learning will be indicated by:
  - The system will sound a confirmation message and indicate the detector allocation in the system.
  - The iWAVE will blink.

#### Step 3: Mounting the detector

1. Open the knockout holes of the mounting bracket, and use them as a template for mounting according to the following table (see Figure 1).

Knockout for	Mounting position		
	Left	Flat	Right
Bracket	7,8	1,2,3,4	5,6
Tamper	9	10	11

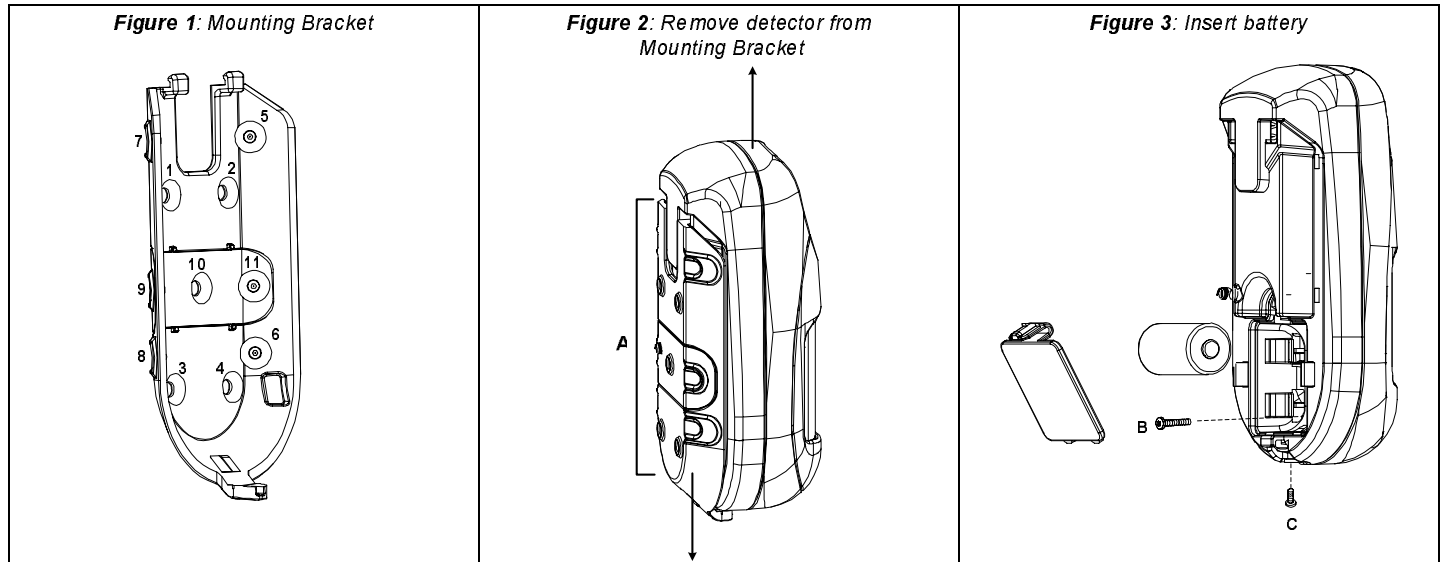
#### FOR Pet FRIENDLY MODEL:

In order to optimize pet immunity the following guide lines are recommended:

- Mount the detector vertically at right angles to the floor.
  - Make sure an animal cannot get above height of 1.5m (5') by climbing on furniture, shelving or stairs.
2. Once the bracket is installed, slide and lock the detector onto the mounting bracket in reverse sequence. (see Figure 2)
  3. Perform a Walk Test as described in the Walk Test section.
  4. Insert and fasten screw (C) into the hole located at the bottom of the detector to lock the detector to the mounting bracket.(see Figure 3)

## Step 4: Walk Test

After pressing the tamper, the detector goes into a Walk Test mode for 20 minutes and then automatically returns to Normal mode (To save battery power). During Walk Test Mode, the detector will transmit after each detection. Walk test the entire field view of the detector and observe the LED for confirmation. Verify that the receiver is properly receiving the signals.



## Changing Default Settings

Being bi-directional, the detectors parameters can be modified from the keypad or from the system configuration software according to your needs:

- PIR Sensitivity: High/Low (Default: Low)
- Supervision Time: 0-255 minutes (Default: 15 min)
- LED: On/Off (Default: On)
- Operation Mode:
  - Walk Test: The detector will transmit after each detection
  - Normal (Default): 2.5 minutes dead time between detections

For more information refer to the system installer guide.

## Diagnostics

You can perform diagnostic tests on your detector using the Agility 2 way keypad or the Agility configuration software. Diagnostics includes testing the detector battery status and the communication between the detector and the panel. For additional information refer to the *Agility Installer Manual*.

## Replace batteries

Low battery condition is detected by a blinking LED on each transmission. To replace the batteries:

1. Remove the detector from the mounting bracket.(Figure 2)
2. Open the battery cover.(Figure 3)
3. Replace the batteries. Pay attention to the right polarity.
4. Replace the battery cover.

**Note:** After replacing the batteries and closing the tamper, the detector will automatically go into in Walk Test mode for 20 minutes.

**Caution:** Risk of explosion if battery is replaced by an incorrect type. Dispose of used batteries according to local regulations

## Specifications

ELECTRICAL	
Battery Type:	2 x CR 123, 3V Lithium Battery
Current Consumption:	PIR model: 12 µA standby PET model: 16 µA standby
Frequency:	868.65MHz / 433.92MHz
Supervision:	0-255 minutes
Transmission:	
Modulation Type:	ASK
Battery Life:	2 batteries – 3 year typical lifetime
OPTICAL	
Filtering:	White Light Protection
PET	Up to a 36 kg (80lb) dog
PHYSICAL	
Size:	132 x 67.5 x 56 mm (5.1 x 2.6 x 2.2 in.)
ENVIRONMENTAL	
RF Immunity:	According to EN50130-4
Operating Temperature:	-10°C to 40°C (14°F to 104°F)
Storage Temperature:	-20°C to 60°C (-4°F to 140°F)

## Ordering Information

Part Number	Description
RWX95086800A	868.65 MHz 2-Way wireless PIR detector
RWX95P86800A	868.65 MHz 2-Way wireless Pet detector
RWX95043300A	433.92 MHz 2-Way wireless PIR detector
RWX95P43300A	433.92 MHz 2-Way wireless Pet detector

Specifications are subject to change without prior notice. Should any questions arise please contact your supplier.

## RISCO Group Limited Warranty

RISCO Group and its subsidiaries and affiliates ("Seller") warrants its products to be free from defects in materials and workmanship under normal use for 24 months from the date of production. Because Seller does not install or connect the product and because the product may be used in conjunction with products not manufactured by the Seller, Seller can not guarantee the performance of the security system which uses this product. Seller's obligation and liability under this warranty is expressly limited to repairing and replacing, at Seller's option, within a reasonable time after the date of delivery, any product not meeting the specifications. Seller makes no other warranty, expressed or implied, and makes no warranty of merchantability or of fitness for any particular purpose. In no case shall seller be liable for any consequential or incidental damages for breach of this or any other warranty, expressed or implied, or upon any other basis of liability whatsoever. Seller's obligation under this warranty shall not include any transportation charges or costs of installation or any liability for direct, indirect, or not be compromised or circumvented; that the product will prevent any person's injury or property loss by intruder, robbery, fire or otherwise; or that the product will in all cases provide adequate warning or protection. Buyer understands that a properly installed and maintained alarm may only reduce the risk of intruder, robbery or fire without warning, but is not insurance or a guaranty that such will not occur or that there will be no personal injury or property loss as a result. Consequently seller shall have no liability for any personal injury, property damage or loss based on a claim that the product fails to give warning. However, if seller is held liable, whether directly or indirectly, for any loss or damage arising from under this limited warranty or otherwise, regardless of cause or origin, seller's maximum liability shall not exceed the purchase price of the product, which shall be complete and exclusive remedy against seller. No employee or representative of Seller is authorized to change this warranty in any way or grant any other warranty.

**WARNING:** This product should be tested at least once a week.

**CAUTION:** Risk of explosion if battery is replaced by an incorrect type. Dispose of used batteries according to local regulations.

## FCC part 15 statement and warnings (RWX95x43300A)

**NOTE:** This equipment has been tested and found to comply with the limits for a Class B digital device, pursuant to Part 15 of the FCC Rules. These limits are designed to provide reasonable protection against harmful interference in a residential installation. This equipment generates, uses and can radiate radio frequency energy and, if not installed and used in accordance with the instructions, may cause harmful interference to radio communications. However, there is no guarantee that interference will not occur in a particular installation. If this equipment does cause harmful interference to radio or television reception, which can be determined by turning the equipment off and on, the user is encouraged to try to correct the interference by one or more of the following measures:

- Reorient or relocate the receiving antenna.
- Increase the separation between the equipment and receiver.
- Connect the equipment into an outlet on a circuit different from that to which the receiver is connected.
- Consult the dealer or an experienced radio/TV technician for help.

FCC ID: JE44GLITY Valid for P/N RWX95x43300A

IC: 6564A-AGILITY Valid for P/N RWX95x43300A

## FCC Warning:

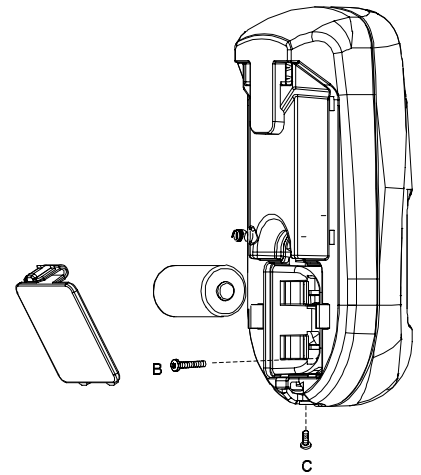
The manufacturer is not responsible for any radio or TV interference caused by unauthorized modifications to this equipment. Such modifications could void the user's authority to operate the equipment.

## Approvals (RWX95x86800A)

EN50131-1,  
EN50131-2-2 Grade 2  
EN50130-5 Environmental Class II  
EN50131-6 Type C  
EN50131-5-3 Grade 2

All rights reserved. No part of this document may be reproduced in any form without prior written permission from the publisher.

## Figure 3: Insert battery



## Contacting RISCO Group

RISCO Group is committed to customer service and product support. You can contact us through our website [www.riscogroup.com](http://www.riscogroup.com) or as follows:

### United Kingdom

Tel: +44-161-655-5500  
sales@riscogroup.co.uk  
technical@riscogroup.co.uk

### Italy

Tel: +39-02-66590054  
info@riscogroup.it  
support@riscogroup.it

### Spain

Tel: +34-91-490-2133  
sales-es@riscogroup.com  
support-es@riscogroup.com

### France

Tel: +33-1-64-73-28-50  
sales-fr@riscogroup.com  
support-fr@riscogroup.com

### Belgium

Tel: +32-2-522-7622  
sales-be@riscogroup.com  
support-be@riscogroup.com

### USA

Tel: +305-592-3820  
sales@riscogroupusa.com  
support@riscogroupusa.com

### Brazil

Tel: +55-11-3661-8767  
sales-br@riscogroup.com  
support-br@riscogroup.com

### China

Tel: +86-21-52-39-0066  
sales-cn@riscogroup.com  
support-cn@riscogroup.com

### Poland

Tel: +48-22-500-28-40  
Fax: +48-22-500-28-41  
support-pl@riscogroup.com

### Israel

Tel: +972-3963-7777  
info@riscogroup.com  
support@riscogroup.com



© RISCO Group 05/08

5IN1037