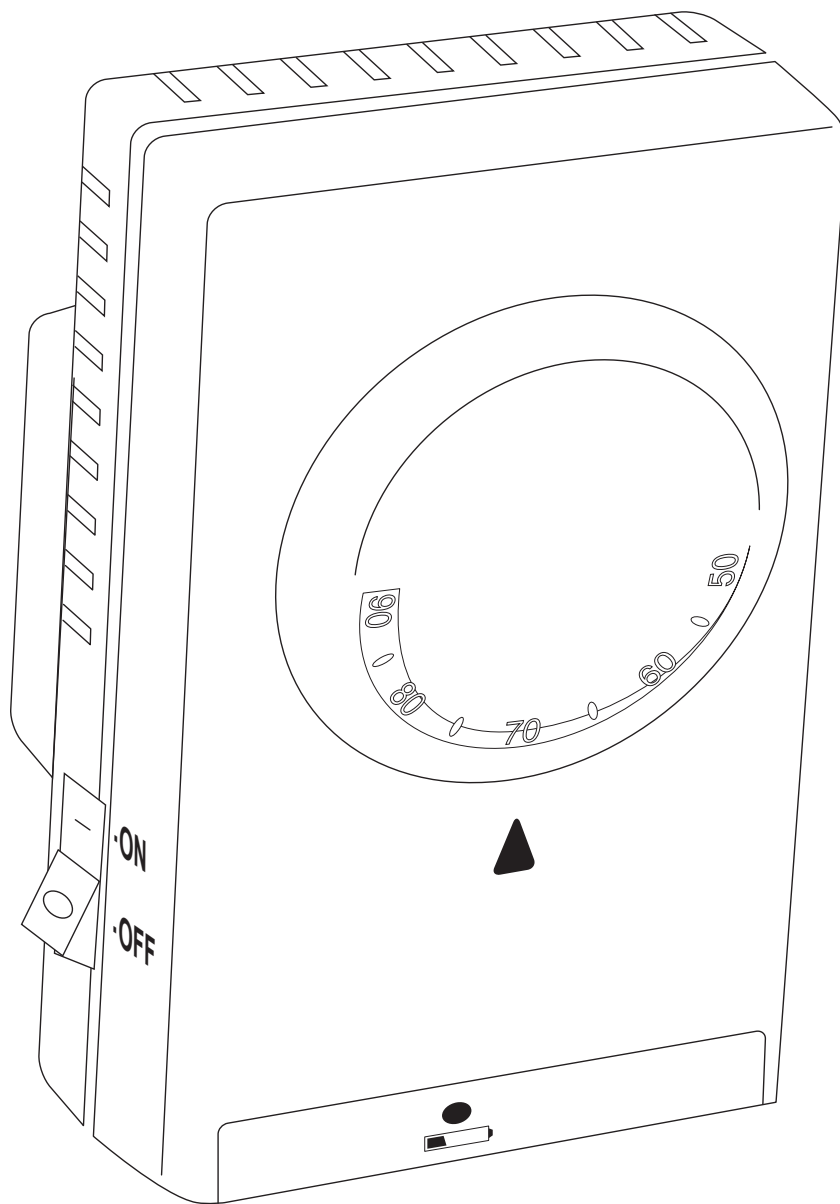

Install Guide 6004 ritētemp[®]



ENGLISH

Caution

To avoid electrical shock and to prevent damage to the heating system, and thermostat, disconnect the power supply before beginning work. This can be done at the circuit breaker, or at the appliance.

Tools

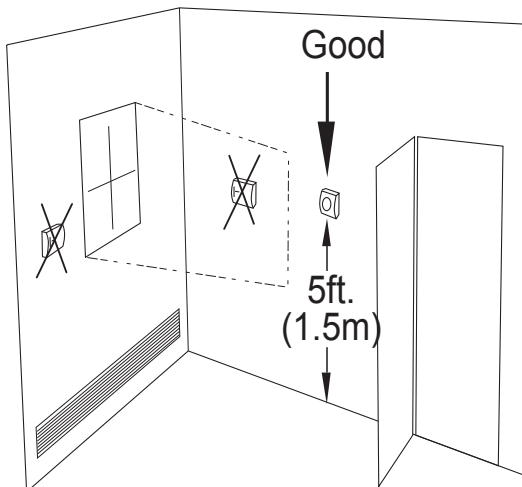
You will need #1 Phillips screwdriver (small)

Location

- On replacement installations, mount the new thermostat in place of the old one.
- On new installations, follow the guidelines listed below.
Locate the thermostat on an inside wall, about 5 ft. (1.5m) above the floor, and in the room where the heater is situated.
- Do not install where there are unusual heating conditions, such as: in direct sunlight; near a lamp, radio, television, or above the baseboard heater, or fireplace; near hot water pipes in a wall; or any other heat source.

PG 1

- Do not locate in unusual cooling conditions: in a draft from a stairwell, door, or window; or on the wall of an unheated room.
- Do not locate in a damp area. This can lead to corrosion that will shorten thermostat life.
- Do not locate where air circulation is poor, such as: in a corner or an alcove; or behind an open door.
- Do not install until completion of construction and painting.
- This thermostat does not require leveling.



CAUTION

- Your thermostat is a precise instrument. Please handle it with care.
- Turn off electricity to the appliance before installing or servicing thermostat or any part of the system. Do not turn electricity back on until work is completed.
- Do not short (jumper) across electric terminals at furnace control to test the system. This will damage the thermostat and void your warranty.
- All wiring must conform to local codes and ordinances. Wiring must come through, and the thermostat mounted on a standard approved electrical junction box.
- This thermostat is designed for use with 120-220 volt AC systems. The thermostat should be limited to a maximum of 16.0 amps; higher amperage may cause damage to the thermostat.

PG 2

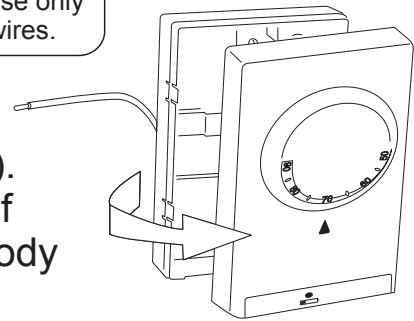
Remove old unit

- Switch electricity to the heater OFF at the circuit breaker; then proceed with the following steps.
- Remove cover from old thermostat. Most are snap-on types and simply pull off. Some have locking screws on the side or front. These must be loosened to remove cover.
- Remove the old unit from the terminal box, by unscrewing the captive screws.

Caution

Make sure you note which wire is which when you disconnect the old thermostat. Use only UBC approved wire nuts to connect wires.

- On your new thermostat, separate Control Unit (front) from Wall Unit (back).
- Grasp the front of the unit and the back of the unit and gently pull the thermostat body away from the base.

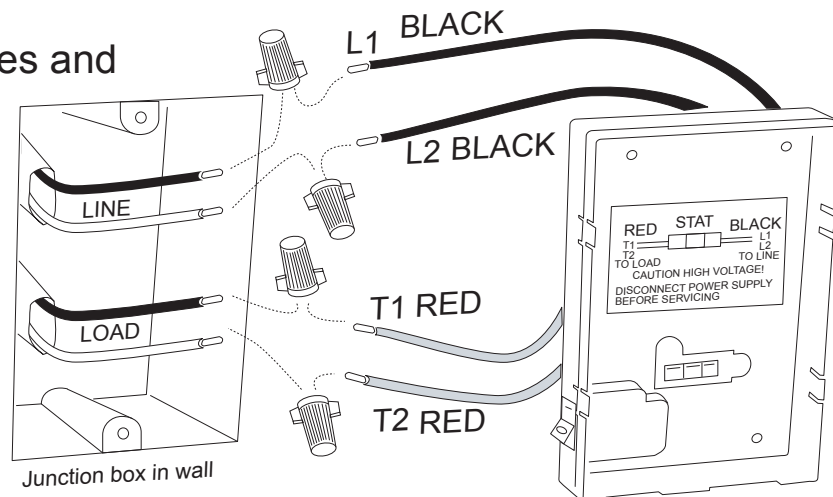


PG 3

Connect wires

If you have 4 wires (Double Pole), inside the wall box, follow these wiring instructions.

- Connect the LOAD to the RED wires (T1, T2) and the LINE to the BLACK wires (L1, L2).
- Twist wires together first, then secure by twisting wire nut on.
- Push the wires and wire nuts into the terminal box.

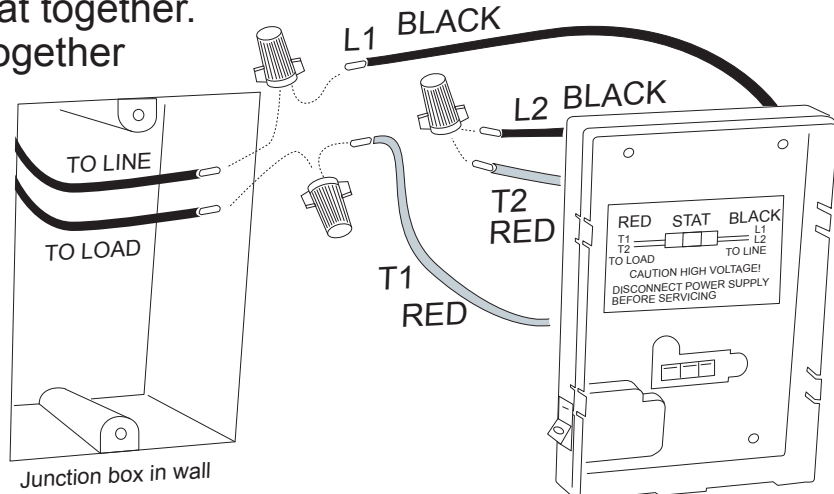


PG 4

Connect wires cont.

If you have 2 wires (Single Pole) inside the wall box, follow these wiring instructions.

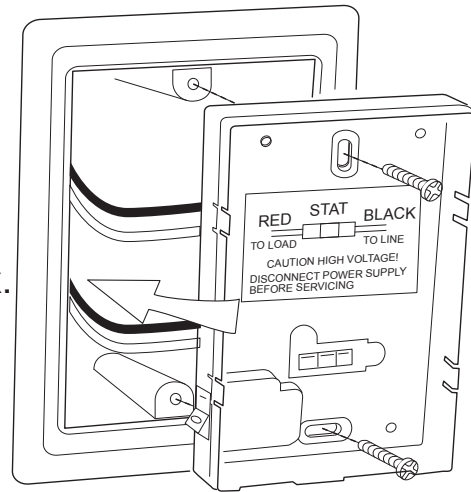
- Connect the LOAD to the RED wire (T1) and the LINE to the BLACK wire (L1).
- Connect BLACK-L2 and RED-T2 from the back of the thermostat together.
- Twist wires together first, then secure by twisting wire nut on.
- Push the wires and wire nuts into the terminal box.



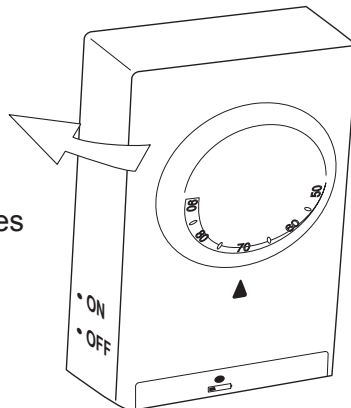
PG 5

Attach Unit

- Position (optional) wall plate over junction box.
- Align the 6-32 captive screws with the threaded holes in the junction box.
- Screw the wall unit to the junction box.



Note: Do not reattach control unit until batteries have been inserted.



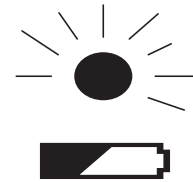
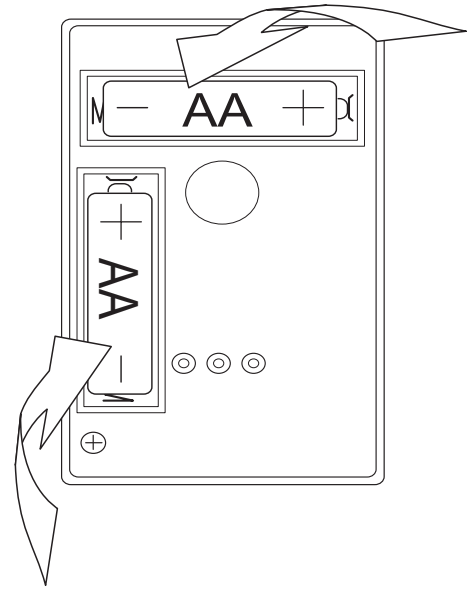
PG 6

Install Batteries

- The 6004 requires 2AA batteries.
- On the control unit, Switch AC POWER switch to OFF.
- Install 2 AA alkaline batteries according to the polarity noted in the compartment. DO NOT USE Rechargeable Batteries.

Caution: The thermostat will go "off" if the batteries die. This exposes your house to unexpected heat or cold and should be avoided.

NOTE: Replace the batteries when the red LOW battery LED indicator blinks or once a year.



PG 7

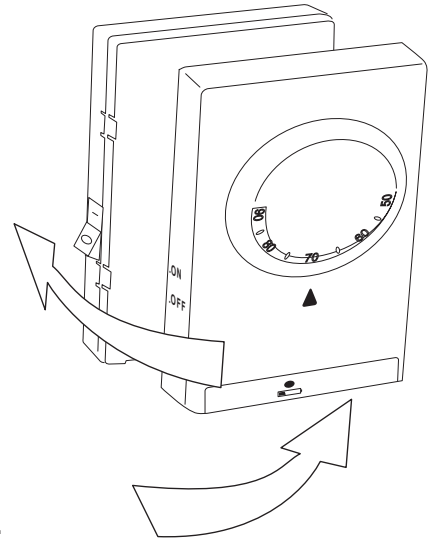
Install Batteries cont

- Replace front of control unit on the wall unit.

Check Unit

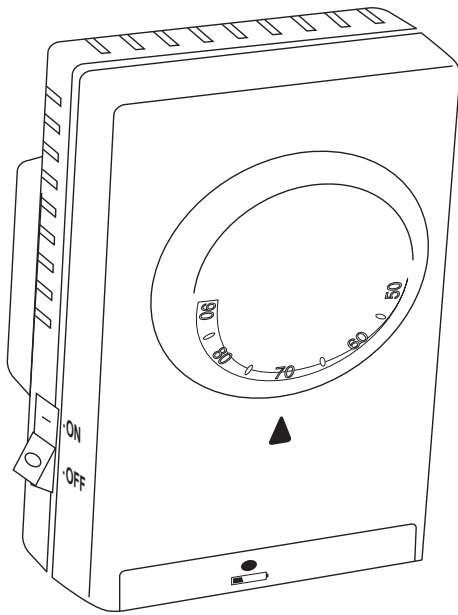
Follow these procedures to verify you have correctly installed the unit.

- To check HEAT mode:**
- Set the AC POWER switch to ON.
- Turn TEMP DIAL counter clockwise to its highest stop. This is the warmest setting. Allow the system 5 min to respond. Verify that heat is coming from the system.
- Return dial to comfortable setting.



PG 8

6004 Features



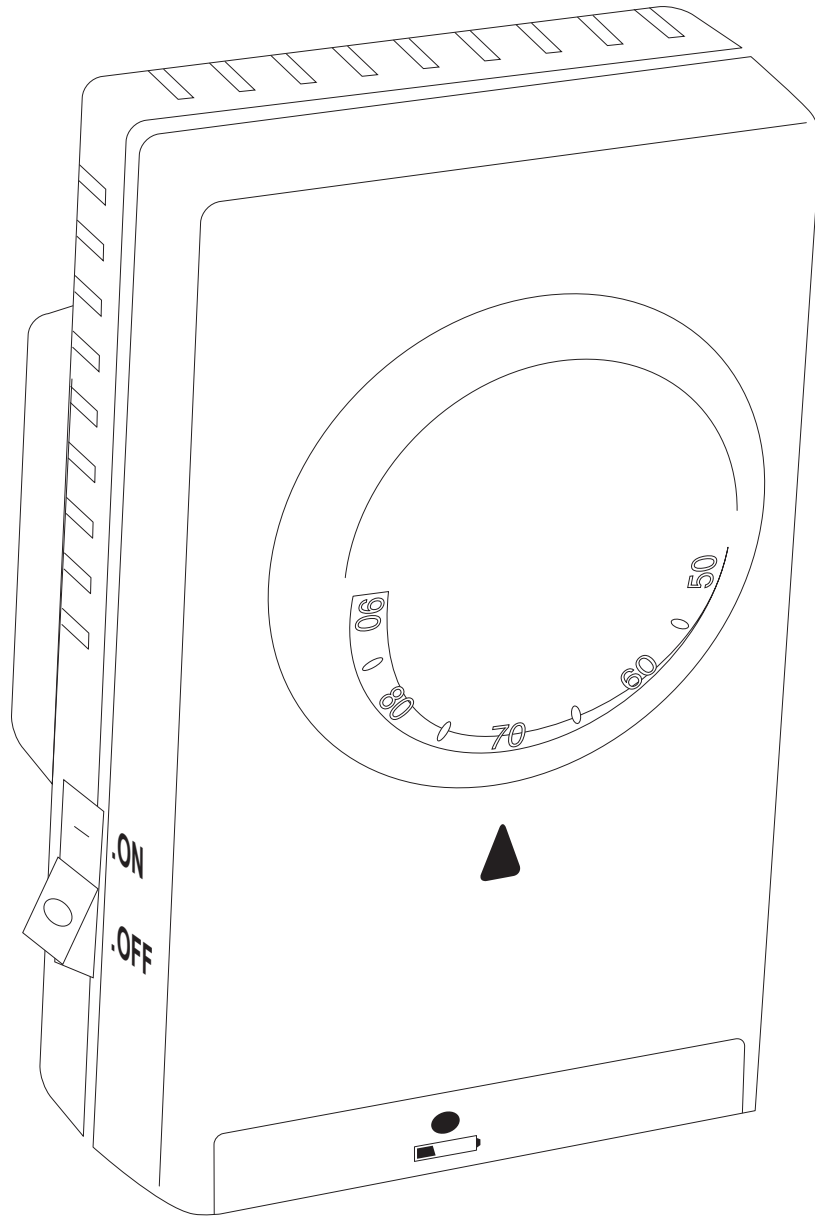
The 6004 can be used with most 120/208/240 volt electric heating devices. It provides Line voltage control for radiant cable, electric baseboard, and wall heaters within the ratings listed.

Electrical Rating -
120/208/240 Vac;
16A max load

PG 9

Notes

PG 10



Customer Support: 877-505-2353
or Visit our website www.ritetemp-thermostats.com
Printed in China