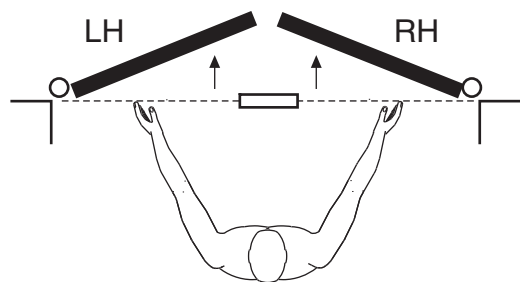
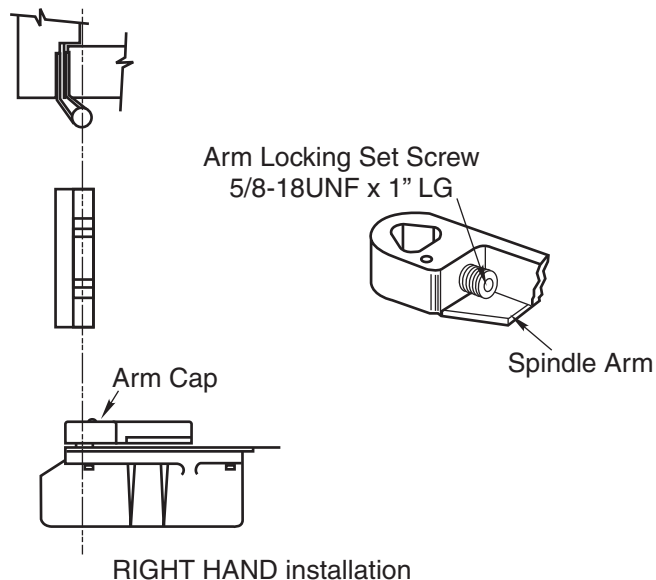


How To Determine Hand of Door

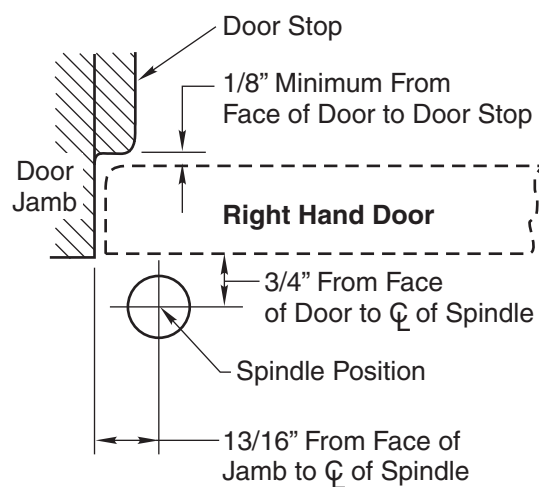


Face a door swinging open away from you. If it opens to the right, it is right hand. If it opens to the left, it is left hand.



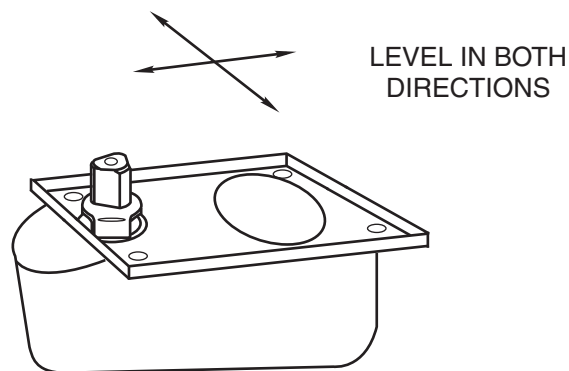
Installation Instructions

1. Install Closer



- A. Measure 13/16" out from door jamb.
- B. Allow 1/8" minimum clearance from door stop to door face. Measure door thickness. Add 3/4".
- C. Where lines meet determines center line of closer.

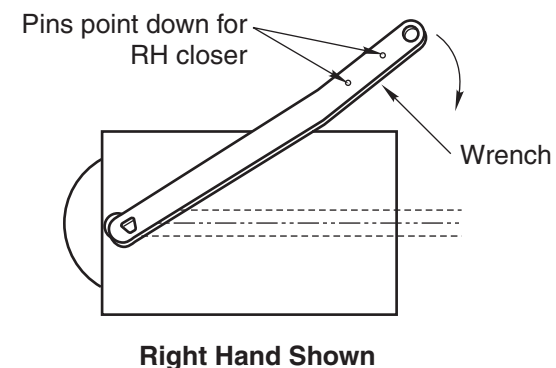
2. Install Cement Case in Floor



- A. For floor plate application: Cement case is set 1/8" (3.2mm) below floor level.
- B. For threshold application: Cement case is set flush with floor.
- C. Set cement case in floor and block in position.
- D. Case should be parallel with center line of door.
- E. Use Quick Spotter, furnished with closer, to locate closer.
- F. Grout in cement case with closer. Cement should not get between closer and case.

3. Hang Door

4. Attach Closer Arm



CAUTION: Closer is shipped with "Stroke" valve down. DO NOT FORCE VALVE DOWN.

- A. Turn spindle until wrench is parallel with center line of closer.
- B. Slip arm on spindle and spot arm mounting holes.
- C. Drill three (3) 3/8" diameter holes in door for arm mounting screws.
- D. Attach arm as shown.
- E. Open Closing Speed and Latch Speed valves (counterclockwise) one turn. Door will then close.

