



WWF ATTITUDE RADIO CONTROLLED RACER

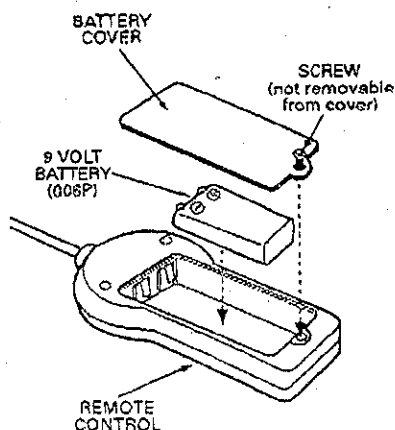
INSTRUCTION SHEET

For Ages 5 and Up
Asst. No. : 85990

Before starting, your toy requires (1) 9 volt battery, (3) "AAA" batteries and a Phillips screwdriver (not included) for assembly.

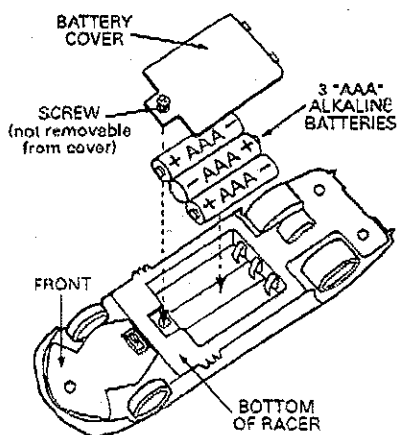
How to install the Batteries

Step 1 Remote Control



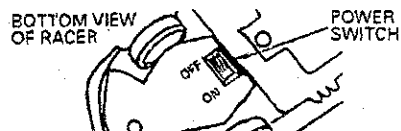
- Unscrew the battery cover on the back of the remote control, using a Phillips screwdriver and remove.
- Insert (1) 9 volt battery into the battery compartment carefully noting the direction of the (+) and (-) symbols as shown.
- Replace the cover and tighten the screw.

Step 2 Racer



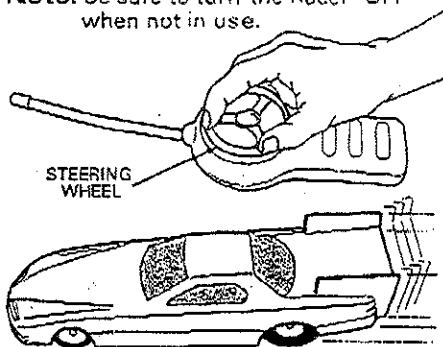
- Take the Racer and turn it upside down.
- Unscrew the battery cover on the bottom of the Racer and remove.
- Insert 3 "AAA" size alkaline type batteries into the battery compartment as shown, carefully noting the direction of the (+) and (-) symbol.
- Replace the cover and tighten the screw.

How the Racer works



- Place the Racer on a smooth, hard surface.
- Slide the Switch, in the bottom of the Racer to "ON" position. This will turn the Racer's power "ON" and Racer will start spinning around in circles.
- When the Racer faces the direction you want it to go in, switch and hold the steering wheel on the remote.
- The Racer will stop spinning, and go forward in a straight line.
- Release steering wheel and Racer will start spinning again.

Note: Be sure to turn the Racer "OFF" when not in use.



BATTERY SAFETY INFORMATION

CAUTION

- Take special care to ensure batteries are inserted correctly, observing (+) and (-) marks on battery and product.
- Removal and replacement of batteries should be carried out by an adult or under adult supervision.
- Do not attempt to recharge non-rechargeable batteries.
- Rechargeable batteries must be removed from toy before recharging.
- Removal and recharging of rechargeable batteries should be carried out by an adult or under adult supervision.
- Avoid short circuiting the contacts in the battery compartment or the battery terminals.
- Remove exhausted batteries from product.
- Do not mix old (used) and new batteries or batteries of different types, eg. rechargeable and alkaline.
- Do not attempt to power battery products by the introduction of mains supply or separate power supplies, and do not attempt to plug any part of this product into the mains supply.
- Dispose of exhausted batteries safely, and never dispose of batteries in a fire.
- Remove batteries from product after use or if storing for long periods.
- Periodically examine product for signs of damage to electrical parts and do not play with until damage has been properly examined.
- Only use batteries of the same or equivalent type to those recommended.
- Please retain the above information for future reference.

REMOTE CONTROL
DC $\equiv \equiv \equiv$
1 X 9V
22mA 200mW

RACER
DC $\equiv \equiv \equiv$
3 X 1.5V
500mA 2.25W

©1999 Road Champs Inc.,
a subsidiary of JAKKS Pacific, Inc.,
Malibu, CA 90265.
MADE IN CHINA

Warning:
Changes or modifications to this unit not expressly approved by the party responsible for compliance could void the user's authority to operate the equipment.

THIS TOY HAS BEEN TESTED TO SAFETY STANDARD FOR ELECTRIC TOYS EN50088. DO NOT USE RECHARGEABLE BATTERIES. Should this product cause local electrical interference we recommend moving it away from other equipment.