



WWF ATTITUDE RACING RADIO CONTROLLED CAR

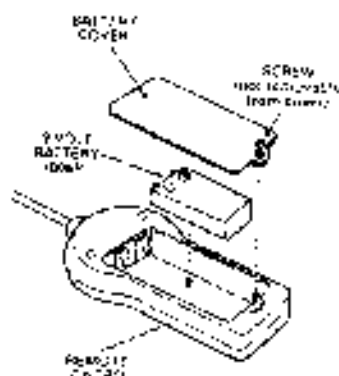
For Ages 6 and Up
Asst. No.: 05990

INSTRUCTION SHEET

Before starting, your toy requires (1) 9 volt battery, (3) "AA" batteries and a Phillips screwdriver (not included) for assembly.

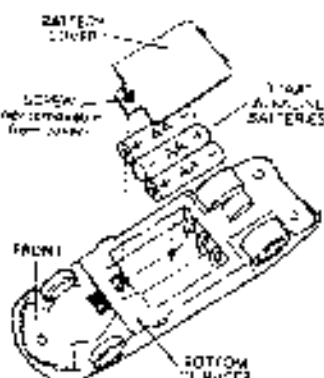
How to install the Batteries

Step 1 Remote Control



- Unscrew the battery cover on the back of the remote control, using a Phillips screwdriver and remove.
- Insert (1) 9 volt battery into the battery compartment carefully noting the direction of the (+) and (-) symbols as shown.
- Replace the cover and tighten the screw.

Step 2 Racer



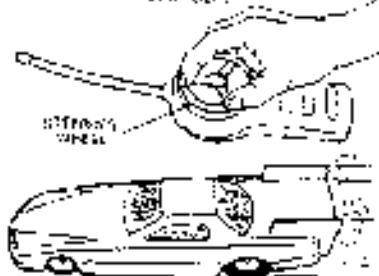
- Take the Racer and turn it upside down.
- Unscrew the battery cover on the bottom of the Racer and remove.
- Insert 3 "AA" size alkaline type batteries into the battery compartment as shown, carefully noting the direction of the (+) and (-) symbol.
- Replace the cover and tighten the screw.

How the Racer works



- Place the Racer on a smooth, hard surface.
- Slide the switch in the bottom of the Racer to "ON" position. This will turn the Racer's power "ON" and Racer will start spinning around in circles.
- When the Racer faces the direction you want it to go, switch and hold the steering wheel on the remote.
- The Racer will stop spinning, and go forward in a straight line.
- Release steering wheel and Racer will start spinning again.

Note: Be sure to turn the Racer "OFF" when not in use.



BATTERY SAFETY INFORMATION

CAUTION

- Take care of care of and use of batteries are detailed herein. The following information covers on battery and product.
- Removal and replacement of batteries should be carried out by an adult or under adult supervision.
- Do not attempt to recharge non-rechargeable batteries.
- Rechargeable batteries must be removed from the device before recharging.
- Batteries and the use of rechargeable batteries should be checked by an adult or under adult supervision.
- Avoid short-circuiting the contacts in the battery compartment in the battery assembly.
- Remove or insulate contacts from the circuit.
- Do not mix old, used and new batteries or different brands or different types, eg. alkaline and acid.
- Do not attempt to power battery devices by the introduction of the supply of rechargeable batteries, and do not attempt to plug any part of the product into the main supply of a device of unsealed batteries with and never dispose of batteries in a fire.
- Remove batteries from product after use and if the long storage period.
- Periodically inspect product for signs of damage or heat, odors and discoloration. If any damage has been properly exposed.
- Use the batteries of the battery of your device from the first until exhausted.
- Do not return the product to the manufacturer.

REMOTE CONTROL

DC 3V
1 X 3V
20mA, 200mW

RACER

DC 3V
3 X 1.5V
500mA, 2.25W

©1999 Road Champs Inc.,
subsidiary of JAKKS Pacific, Inc.,
Malibu, CA 90263.
MADE IN CHINA

WARNING
Changes or modifications to this unit not expressly approved by the party responsible for compliance with FCC rules may void the user's authority to operate the equipment.

THIS TOY HAS BEEN TESTED TO SAFELY
STANDARD FOR ELECTRIC TOYS (EN60084)
DO NOT USE RECHARGEABLE BATTERIES
Check the battery assembly instructions carefully
Do not connect any other toy to the power supply