

Contents



Precautions during use	GB.3
General information	GB.4
General description	GB.4
Introduction to the controls	GB.6
Switching on/off	GB.10
Volume	GB.10
Choosing the source	GB.10
Operating principles	GB.12
Radio/CD	GB.14
Listening to the radio	GB.14
Listening to a CD	GB.17
Audio settings	GB.19
Auxiliary audio sources	GB.21
Auxiliary audio sources	GB.21
Bluetooth® portable audio player	GB.22
	GB.1

Phone (depending on the vehicle)	GB.24
Pairing/unpairing a phone	GB.24
Connecting/disconnecting a phone	GB.26
Managing the mobile phonebook	GB.28
Managing the vehicle phonebook	GB.30
Making and receiving a call	GB.33
During a call	GB.36
Phone settings (depending on the vehicle)	GB.37
Using the voice command function (depending on the vehicle)	GB.38
System settings	GB.39
Operating faults	GB.40
Alphabetical index	GB.43

GB.2

PRECAUTIONS DURING USE

It is essential to follow the precautions below when using the system, both in the interest of safety and to prevent material damage. You must always comply with the laws of the country in which you are travelling.



Precautions when operating the system

- Operate the controls (on the dash or near the steering wheel) and read the information on the screen only when road conditions allow.
- Set the volume to a reasonable level so that outside noise can be heard.

Precautions concerning the equipment

- Do not attempt to dismantle or modify the audio system, as there is a risk of damage to equipment and fire.
- In the event of a malfunction and for all removal operations, please contact an approved manufacturer's dealer.
- Do not insert foreign objects or a damaged or dirty CD into the reader.
- Only use 12 cm diameter circular CDs.
- When handling discs, hold them by the inner or outer edges, without touching the non-printed face of the CD.
- Do not stick paper on the CD.
- After prolonged use, remove the CD from the player with care as it may be hot.

Precautions when using the phone

- Some laws govern the use of phones in vehicles. They do not necessarily authorise the use of hands-free phone systems under all driving conditions: drivers must be in control of their vehicles at all times.
- Using a phone whilst driving is a significant distraction and risk factor during all stages of use (dialling, communicating, searching for a number in the handset memory, etc.).

Maintenance of the fascia

- Use a soft cloth and, if necessary, a small amount of soapy water. Rinse with a soft, slightly damp cloth, then dry with a soft, dry cloth. Do not use alcohol-based products.

The description of the models given in this manual is based on the specifications at the time of writing. This manual covers all existing functions for the models described. Whether or not they are fitted depends on the equipment model, options selected and the country where it is sold. This manual may also contain information about functions to be introduced later in the year.

GENERAL DESCRIPTION (1/2)

Introduction

The audio system has the following functions:

- RDS radio;
- CD reader;
- management of auxiliary audio sources;
- hands-free, Bluetooth® telephone system (depending on vehicle);
- voice command (depending on vehicle).

Radio and CD functions

The radio enables radio stations to be played as well as audio CD, MP3, WMA.

Radio stations are classed by wavelength: FM (frequency modulation), LW (long wave) and MW (medium wave), or by preselecting program types FM (PTY).

The RDS system enables the names of certain stations to be displayed and special programmes (PTY) or information messages broadcast by FM radio stations to be heard:

- traffic bulletins;
- emergency messages.

Auxiliary audio function

You can listen to your personal stereo directly through your vehicle's speakers. There are several ways of connecting your personal stereo, depending on the type of device you have and the vehicle:

- RCA socket;
- audio multi-connection unit (USB and Jack sockets);
- Bluetooth® connection.

For more information on compatible devices, contact your approved manufacturer's dealer or visit the manufacturer's website, where available.

FCC Information

This device complies with Part 15 of the FCC Results. Operation is subject to the following two conditions:

1. This Device may not cause harmful interface, and
2. This device must accept any interference received, including interference that may cause undesired operation.

Note:

This equipment has been tested and found to comply with the limits for CLASS B digital device, pursuant to Part 15 of FCC Rules. These limits are designed to provide reasonable protection against harmful interference when the equipment is operated in a commercial environment. This equipment generates, uses and can radiate radio frequency energy and, if not installed and used in accordance with the instructions, may cause harmful interference to radio communications. However, there is no guarantee that interference will not occur in a particular installation. If this equipment does cause harmful interference to radio or television reception, which can be determined by turning the equipment off and on, the user is encouraged to try correct the interference by one or more of the following measures:

1. Reorient or relocate the receiving antenna.
2. Increase the separation between the equipment and receiver.
3. Connect the equipment into an outlet on a circuit different from that to which receiver is connected.
4. Consult the dealer or experienced radio/ TV technician for help

GENERAL DESCRIPTION (2/2)

Hands-free phone function

(depending on vehicle)

The hands-free Bluetooth® phone system makes the following functions possible without having to handle your phone:

- Pair up to 5 phones;
- send/receive/suspend a call;
- transfer the list of contacts from the phone memory and the SIM card (depending on the phone);
- access the call logs for calls which have come through the system;
- edit the vehicle phone memory;
- dial voicemail;
- dial emergency numbers.



Your hands-free phone system is only intended to facilitate communication by reducing the risk factors, without removing them completely. You must always comply with the laws of the country in which you are travelling.

Telephone compatibility

Some phones are not compatible with the hands-free system, and do not enable you to use all of the available functions or do not provide the best possible sound quality.

For more information on compatible telephones, contact your approved manufacturer's dealer or visit the manufacturer's website, where available.

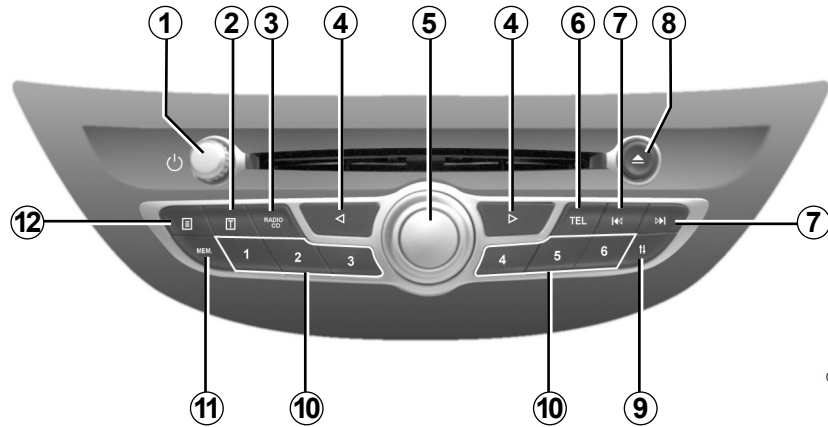
Voice command function

(depending on vehicle)

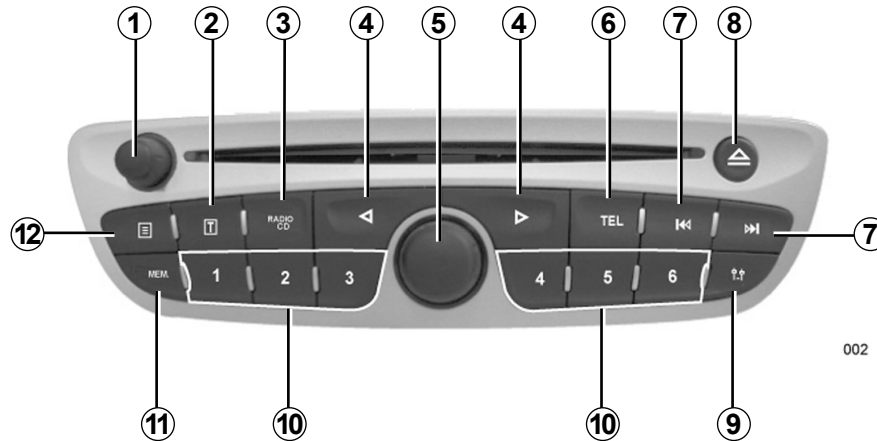
The voice command function allows you to vocally control some of the hands-free Bluetooth® phone system functions:

- allocate a voice tag to several contacts in the vehicle memory;
- call one of these contacts.

INTRODUCTION TO THE CONTROLS (1/4)



001



002

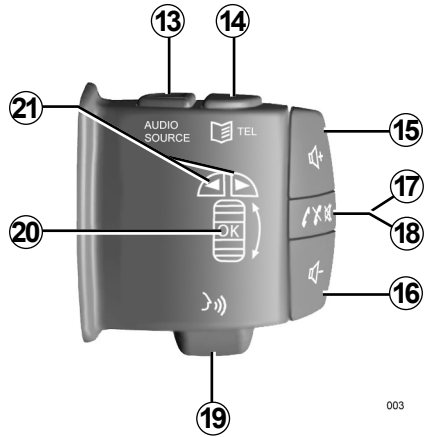
GB.6

INTRODUCTION TO THE CONTROLS (2/4)

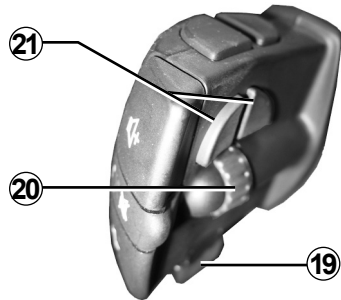
	AUDIO function	PHONE function (depending on the vehicle)
1	Short press: On/Off. Rotation: adjust the volume of the source currently in use.	
2	Short press: display text information.	
3	1st press: access functions for the source currently in use. Successive presses: select the audio source (Radio, CD, Auxiliary audio sources).	
4	Move horizontally within the displays. Move around the different areas of the screen.	
5	Short press: confirm an action/move to the right. Rotation: move vertically within the displays.	
	Rotation: search for radio stations or frequencies, change track on a CD.	
6		Access the phone menu (if phone connected).
7	Short press: change track (CD, some portable audio players) or change radio station automatically. Press and hold: fast forward/rewind a track (CD, some portable audio players) or change radio station manually.	
8	Eject a CD.	
9	Access the settings menu.	
10	Short press: recall a radio station. Press and hold: store a radio station.	
11	Short press: access the radio station storage function. Press and hold: update the list of radio stations (depending on the vehicle).	
12	Short press: display additional text information.	

GB.7

INTRODUCTION TO THE CONTROLS (3/4)

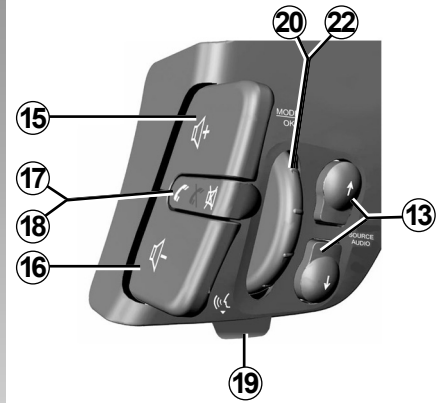
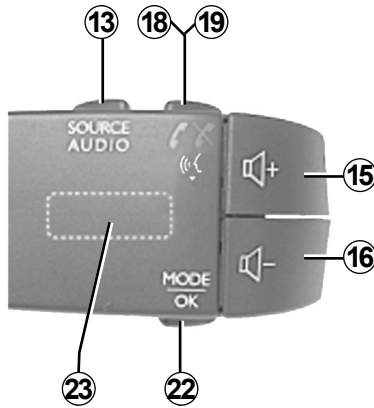


003



004

GB.8



INTRODUCTION TO THE CONTROLS (4/4)

	AUDIO function	PHONE function (depending on the vehicle)
13	1st press: access functions for the source in use. Successive presses: select the audio source (Radio, CD, Auxiliary audio sources).	
14		Access the phone menu (if phone connected).
15	Increase the volume of the source currently in use.	
16	Decrease the volume of the source currently in use.	
15+16, 17	Mute on/off	
18		Short press: answer/end call.
19		Pull towards the user or short press: activate/deactivate voice recognition (depending on the vehicle).
20	Rotation: move vertically within the displays. Pull towards the user: confirm an action.	
	Rotation: search for radio stations or frequencies, change track on a CD.	
21	Move horizontally within the displays. Move around the different areas of the screen.	
22	Confirm an action.	
	Change mode.	
23	Rotation: move vertically within the displays.	
	Rotation: search for radio stations or frequencies, change track on a CD.	

GB.9

SWITCHING ON/OFF

On and off

When the ignition is switched on, the system adopts the status that was active when the ignition was last switched off.

The system is switched off by pressing **1** or automatically when the ignition is switched off.

With the ignition off, switch on the audio system by pressing **1**. The audio system switches off after an hour.

Choosing the source

Scroll through the different sources by repeatedly pressing **3** or **13**.

When scrolling, the sources activated appear in the following order:

- “Radio” (FM/PTY/LW/MW);
- “CD audio” (if inserted);
- “CD player”;
- “Auxiliary audio sources”.

A CD will play automatically when inserted, interrupting the current source.

VOLUME

Manual adjustment

When a message is received (i Traffic, voice recognition or alarm) the source currently in use is suspended.

Adjust the volume to listen to the various sources and messages:

- by turning **1**;
- by pressing **15** or **16**.

You can also set the default volume for:

- voice recognition messages;
- ringtones and phone communications.

Refer to the information on “Adjusting the ringtone, voice recognition and call volume” in the section entitled “Phone settings”.

Automatic adjustment

When this function is activated, the volume of the audio system varies according to the vehicle speed.

To adjust this function, refer to the information on “Volume adjustment according to speed” of the section on “Audio settings”.

Mute

Press **17** or **15** and **16** simultaneously to briefly cut the sound.

This function is automatically deactivated when the volume is adjusted, the source is changed or automatic information messages are issued.

Audio volume

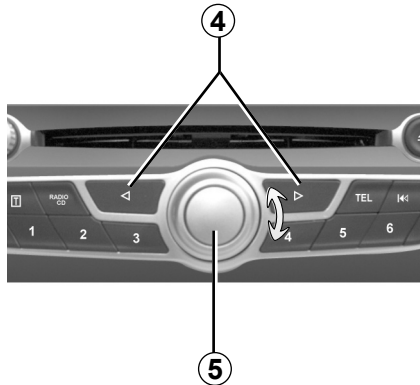
When the system is switched off, the respective volume levels for the radio/CD sources and messages are stored.

Note: any volume greater than 15 will be reduced to this value when the system is started.



Set the volume to a reasonable level so that outside noise can be heard.

OPERATING PRINCIPLES (1/2)

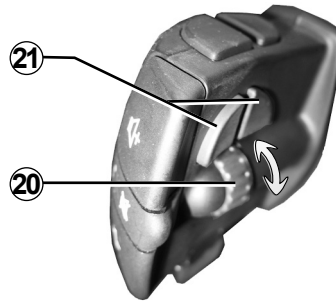


005

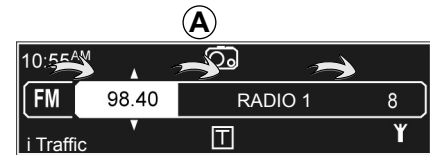
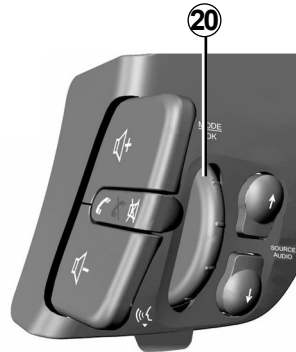
Move within the displays

To move:

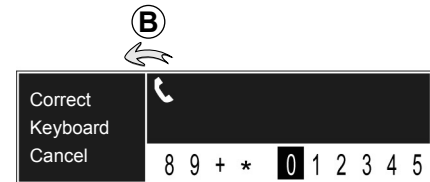
- by turning **5** or **20** to move vertically;
- by pressing **4** or **21** to move horizontally (movement **A** and **B**);
- by pressing **5** or **20** to move horizontally to the right (movement **A**).



004



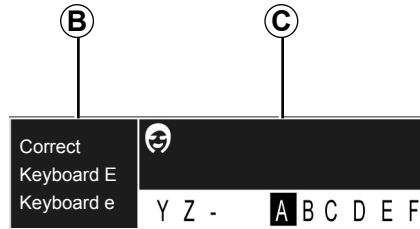
006



007

GB.12

OPERATING PRINCIPLES (2/2)



008

Using an alphabetical keyboard

When entering a heading using an alphabetical keyboard, choose each letter by turning then pressing **20** or **5**.

To move the cursor between edit zone **B** and alphabetical zone **C**, press **4**, **5** or **21**.

To scroll through the headings, turn **5**, **20** or **23**.

Select "Correct" to modify your entry.

Select "Keyboard E" to use the upper case alphabet.

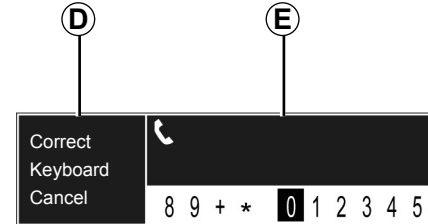
Select "Keyboard e" to use the lower case alphabet.

Select "Keyboard Ê" to display the upper case list of accented vowels.

Select "Keyboard ê" to display the lower case list of accented vowels.

Select "Cancel" to stop entering and return to the previous screen.

Select "Memorise" to save your heading entry.



007

Using a numerical keypad

When entering a heading using a numerical keypad, choose each digit by turning then pressing **20** or **5**.

Press **4**, **5** or **21** to move between edit zone **D** and numerical zone **E**.

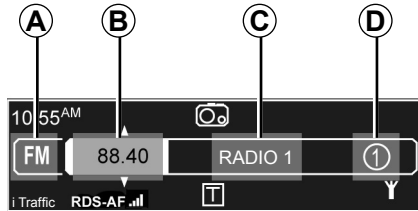
Select "Correct" to correct the entry.

Select "Keyboard" to return to numerical zone **E**.

Select "Cancel" to stop entering and return to the previous screen.

GB.13

LISTENING TO THE RADIO (1/3)



Selecting a wavelength

Select the radio source by pressing **3** or **13**, then press **4**, **5** or **21** to access waveband selection (zone **A**).

Refer to the information on “Moving within the displays” in the section entitled “Operating principles” to move horizontally across the screen.

Turn **5**, **20** or **23** to select FM, LW or MW.

Selecting a radio station

There are various search modes.

To access each mode, first press **3**, then press **4**, **5** or **21** to select:

- frequency search **B**;
- station name search **C**;
- stored station search **D**.

Frequency search

Automatic search

This mode allows stations to be searched by automatically scanning the selected band. Every time a search is activated, the system stops on an audible radio station.

Select zone **B** to run an automatic search. Then start the search by turning **20** or pressing **7**.

Manual search

This mode allows the available radio stations to be searched for by manually scanning the selected band.

To access a particular frequency, select zone **B**, then turn **5** or keep **7** pressed in until you reach the desired frequency.

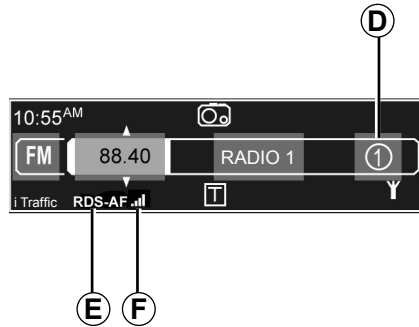
Station name search (FM only)

This mode allows a radio station to be searched for easily from an alphabetical list.

This list contains up to 50 radio stations with the best reception in the area the vehicle is currently in. The system continually updates the list automatically (depending on the vehicle). To make sure you have the most up-to-date list of stations, you can also activate the update manually. Refer to the information on “Manually updating the radio list” in the section entitled “Audio settings”.

Select zone **C**, then turn **5**, **20** or **23** to scroll through the list of radio stations.

LISTENING TO THE RADIO (2/3)



009

Stored station search

This mode allows you to recall on demand radio stations that you have previously stored.

To store a station, select the station then press **11**, select a digit by turning and pressing **5** or **20**. You can store 12 stations in this way.

Note: you can also directly press one of the keys on keyboard **10** until a beep sounds. This beep confirms that the station has been stored. Six stations per waveband can be stored.

To recall a station, briefly press one of the keys on keyboard **10**. You can also press **3** or **13** then **4**, **5** or **21** to select the stored station zone **D**. Turn **5**, **20** or **23** to select a station from the list of stored stations.

Retuning an FM station (RDS - AF)

The frequency of an FM radio station may change depending on the geographical area. In order to keep listening to the same radio station when driving, activate the RDS - AF function so that your audio system can automatically retune the frequency.

Note: not all radio stations have transmitters that cover the entire region; retuning is not available for some stations.

Poor reception can sometimes cause erratic and annoying changes in frequency. In this case you should deactivate the automatic frequency retuning.

When automatic retuning is active, the **E** indicator is displayed at the bottom of the audio screen. If automatic retuning is available for the station selected, pictogram **F** is displayed

To activate the RDS - AF function, refer to the information on "Activating the RDS - AF function" in the section entitled "Audio settings".

LISTENING TO THE RADIO (3/3)

Traffic information (i Traffic)

When this function is activated, your audio system allows you to automatically search for and listen to traffic information when it is broadcast from certain FM radio stations.

To activate the i Traffic function, refer to the information on “Activating the i Traffic function” in the section entitled “Audio settings”.

Once the function is activated, select the news station then choose if you require another playback source.

Traffic information is broadcast automatically and has priority over the source being listened to at the time. The automatic broadcasts will not operate when you are listening to radio stations on the LW and MW wavelengths.

To stop traffic information from being broadcast, press **5** or **20** at any time.

Program type search (PTY)

Select the radio source by pressing **3** or **13**. Access the waveband by pressing **4** or **21**. Select the heading PTY by turning **5**, **20** or **23**.

Display the list of program types by pressing **4**, **5** or **21**, then select a program from the following options:

- “News”;
- “Pop music”;
- “Sport”;
- “Serious classics”;
- “Varied speech”.

Select a station from the list.

The system automatically suggests a program that corresponds to the initial selection.

Text information (Radio text)

Certain FM radio stations issue text information relating to the broadcast program (e.g. song name).

To see this information, briefly press **2**.

Note: this information is only available for some radio stations.

Note: to return to the original screen, press **2** or change the source.

LISTENING TO A CD (1/2)

Specifications of readable formats

Only files with an MP3/WMA extension will be read; other files (compressed files, WAV files, etc.) will not be recognised.

Note: some protected files (copyright) cannot be read.

Note: to ensure that folder and file names are easy to read, we recommend that you use names with fewer than 32 characters, and avoid the use of special characters.

CD maintenance

To protect its readability, never expose a CD to heat or direct sunlight.

To clean a CD, use a soft cloth and clean from the centre towards the edge of the CD.

As a general rule, refer to the CD manufacturer's advice concerning maintenance and storage.

Note: some scratched or dirty CDs cannot be read.

Inserting a CD

Refer to the Section entitled "Precautions during use".

Check that there is no CD in the player, then insert the CD with the printed side upwards.

To listen to a CD that is already in the player, press **3** or **13** to select the CD player source.

Ejecting a CD

Eject a CD from the front of the player by pressing **8**.

Note: if an ejected disc is not removed within 20 seconds, it will automatically be reinserted into the CD player

LISTENING TO A CD (2/2)

Selecting a track or an album

After a CD is inserted into the player, and after a short delay whose duration depends on the type of CD, the display indicates the following information:

- CD audio: track number;
- CD MP3/WMA: name of the first track played.

Turn **5**, **20** or **23** to select an album or track from the list. Press **7** to go to the previous or next track on the CD.

The albums can be scrolled through depending on the disc's file tree.

Press **4** or **21** (right) to access the sub-folders or track. Press **4** or **21** (left) to return to the parent folder. Press and hold **4** or **21** (left) to return to the root folder. Press and hold **4** or **21** (right) to display the name of the track being played.

After selecting an album, press **4**, **5** or **21** to display the track list then turn **5**, **20** or **23** to select a track to be played.

Fast winding

Press and hold **7** to search forwards or backwards. Playback resumes when the button is released.

Pause

Press **17**, or **15** and **16** simultaneously to briefly cut the sound.

This function is automatically deactivated when the volume is adjusted, the source is changed or automatic information messages are issued.

Playing time

Display the settings menu by pressing **9**. Access the "Audio settings" menu. Select the heading "Balance" by turning and pressing **5** or **20**. Choose between "Elapsed time" and "Remaining time" for a track.

Displaying text information (if available) (CD-Text or ID3 tag)

After selecting a track or album, press **2** to access the text information (artist name, album name or song name) available on the CD. To exit the corresponding display, press **2** or **5**.

Press **12** to display the full name of the album or track playing. To exit the display, press **12** or **5**.

AUDIO SETTINGS (1/2)

Display the settings menu by pressing **9**. Select “Audio settings”.

To move around the menu and select the various headings, refer to the information on “Moving within the displays” in the section entitled “Operating principles”.

Note: the system exits the settings mode automatically without the need for any action on the part of the user. You can also exit the settings mode by pressing **9**. To return to the settings mode, press and hold **4**.

Note: setting 0 means the function is deactivated.

Sound levels

Loudness activation

Access the “Other audio settings” menu and check “Loudness” by pressing **5** or **20**. This setting is stored.

Musical atmosphere

(depending on the vehicle)

Access the “Musical atmosphere” menu then turn and press **5** or **20** to select the desired musical atmosphere (Voice, Classical, Jazz, Neutral, Pop, Rock).

Tonality (bass/treble)

Access the “Musical atmosphere” menu, turn **5**, **20** or **23** to select “Bass/treble” then press **4** or **21** to select the bass or treble area. Once the area has been selected, adjust the tone by turning **5**, **20** or **23**.

Balance

Optimising the sound distribution (depending on the vehicle)

Access the “Sound optimisation” menu.

Turn **5**, **20** or **23** to select the heading “Vehicle” or “Driver” in order to optimise the sound distribution for all the vehicle occupants or for the driver alone. To confirm, press **5** or **20**.

Moderate volume in the front (depending on the vehicle)

Access the “Sound optimisation” menu.

Turn **5**, **20** or **23** to select the heading “Rear OFF”. This setting is designed so that passengers in the back of the vehicle can rest (suppression of the sound in the rear and moderate volume in the front of the vehicle). To confirm, press **5** or **20**.

Right/left and front/rear balance

Access the “Sound optimisation” or “Balance/fader” menu (depending on the vehicle).

Turn **5**, **20** or **23** to select the heading “Balance”. Press **4**, **5** or **21** to display the “Balance” setting, then turn **5**, **20** or **23** to adjust the left/right balance. Press **5** or **20** to confirm and display the “Fader” setting, turn **5**, **20** or **23** to adjust the front/rear balance.

AUDIO SETTINGS (2/2)

Volume adjustment according to speed

Access the “Other audio settings” menu and check “Adaptation volume km/h”.

Adjust the volume/speed ratio by turning **5**, **20** or **23**.

Manually updating the radio list

To update the list of stations and obtain the most recent ones, activate the update manually.

Access the “Radio functions” menu and select “Update FM list” and confirm.

Activating the RDS - AF function

Access the “Radio functions” menu and check “RDS - AF”. This setting is stored.

Activating the Random function

Access the “Other audio settings” menu and check “Random” by pressing **5** or **20**. This setting is stored. The “Random” indicator is displayed at the bottom of the screen when the function is activated.

Note: on a CD MP3/WMA, this function applies to the current album, then moves on to the next album.

Activating the i Traffic function

Access the “Radio functions” menu and check “i Traffic” to store the setting.

Default settings

Select “Default settings” by pressing **5** or **20**.

All the audio settings return to their default values.

Audio multiconnection unit software version

(depending on the vehicle)

If your vehicle is fitted with an audio multiconnection unit with a USB socket and a Jack socket, you can display the equipment's software version and update it.

Access the audio multiconnection unit software version menu. Choose between the following headings by turning and pressing **5** or **20**:

- “Display software version”;
- “Update software”.

Note: to update the software, connect a USB key containing the update program (available on the manufacturer's website) to the USB socket.

AUXILIARY AUDIO SOURCES (depending on the vehicle)

Your audio system has an auxiliary input to connect an external audio source (portable audio player, MP3 player, USB key, etc.). Refer to the vehicle handbook to find out its location.

There are several ways to connect your portable audio player, depending on the type of device and the vehicle:

- RCA socket;
- audio multiconnection unit (USB and Jacksockets);
- Bluetooth® connection.

Auxiliary inputs: RCA socket

Connection

Use a special cable (not supplied), to connect the portable audio player headphone socket (usually a 3.5 mm Jack) to the auxiliary input socket.

Use

To activate the audio system auxiliary input, select Auxiliary audio sources by pressing **13** or **3**, then switch on the portable audio player. Adjust the volume of your portable audio player so that the track being played is audible.

Note: the portable audio player functions cannot be controlled by the audio system.

Auxiliary input: USB socket and Jack socket

Connection

Connect the socket of your portable audio player to the USB socket of the auxiliary input:

- either directly (for USB keys);
- or using a special cable (not supplied).

The audio system automatically switches to the external source when it is connected.

Note: there is a delay before the audio source starts, depending on the recording volume.

Use

Depending on the type of portable audio player, select a folder (MP3 player, USB key) or a playlist (portable digital music player).

You can also refine your selection:

- either a search using criteria (artist, musical style, etc.);
- or a tree-type search with up to 5 levels.

Note: your system's auxiliary input can read MP3, WMA and OGG formats.

Some portable digital music players allow you to create playlists from the device itself.

Note: refer to your portable player's user guide.



Only handle the personal stereo when traffic conditions permit.

Store the portable audio player safely while driving (risk of being thrown in the event of sudden braking or impact).

BLUETOOTH® PORTABLE AUDIO PLAYER (1/2)

Pairing a Bluetooth® portable audio player

To use your Bluetooth® portable audio player, you must pair it to the vehicle the first time you use it.

Pairing allows the audio system to recognise and store a portable audio player.

Up to 5 portable audio players may be stored by the audio system, however only one may be connected at a time.

The audio system and your portable audio player must be switched on.

Note: if your Bluetooth® digital device has telephone and portable audio player functions, pairing one of these functions will automatically pair the other.

To pair a Bluetooth® portable audio player, proceed as follows:

- activate the portable audio player's Bluetooth® connection (refer to your portable audio player's manual);
- display the settings menu by pressing **9** then select the "Bluetooth connection" menu.



011

- select an "(Empty)" location by turning **5**, **20** or **23**;
- press **4**, **5** or **21**, then select "Pair audio device" by turning and pressing **5** or **20**;
- run the Bluetooth® equipment search from your portable audio player, then select "My_Radiosat" from the list of suggested devices. If your portable audio player does not have a screen, enter its pairing code in the audio system (refer to your portable audio player's manual for the pairing code, which is usually "0000");

- depending on the type of portable audio player:
 - enter your chosen code on your portable audio player, then on your audio system;
 - or carry out the operation in the reverse order;
- a message is displayed on the audio system screen to confirm that your portable audio player has been paired.

Unpairing a Bluetooth® portable audio player

Unpairing allows a portable audio player to be deleted from the audio system memory.

Display the settings menu by pressing **9** then select the "Bluetooth connection" menu. Select the portable audio player to be unpaired from the list, press **4**, **5** or **21** then select "Delete this device".



Only handle the personal stereo when traffic conditions permit.

Store the portable audio player safely while driving (risk of being thrown in the event of sudden braking or impact).

BLUETOOTH® PORTABLE AUDIO PLAYER (2/2)

Using a Bluetooth® portable audio player

Your portable audio player must be connected to the system to enable all its functions to be accessed.

No portable audio player can be connected to the system unless it has previously been paired.

To connect your portable audio player, select Auxiliary audio sources by pressing **3** or **13** then select your device and confirm by pressing **5** or **4**. Once the Bluetooth® digital portable audio player is connected, you can control the function from your audio system.

Press **7** to go to the previous or next track on the portable audio player.

Note: the number of accessible functions varies depending on the type of portable audio player and its compatibility with the audio system.

Note: in some cases, you will need to refer to your device's manual to finalise the connection procedure.

Connection failure

If connection fails, check that:

- your portable audio player is switched on;
- your portable audio player battery is not flat;
- your portable audio player has already been paired to the system;
- the Bluetooth® function on your portable audio player and on the audio system are active;
- the portable audio player is configured to accept the system's connection request;
- depending on your portable audio player's degree of compatibility, music may need to be played from your portable audio player.

Note: using your system for prolonged periods will discharge your portable audio player's battery more quickly.

Note: for a phone with an audio player function, the phone function remains active while a track is playing. The audio player function is suspended when a call is received.

Disconnecting a Bluetooth® portable audio player

Display the settings menu by pressing **9** then select the "Bluetooth connection" menu.

Select the portable audio player to be disconnected from the list then select "Disconnect the device" by turning and pressing **5** or **20**.

Switching off or deactivating the Bluetooth® function on your portable audio player also disconnects the device.

A message is then displayed on your screen to confirm that the portable audio player is disconnected.

PAIRING/UNPAIRING A PHONE (1/2)

Pairing a phone

In order to use your hands-free phone system, you must pair your Bluetooth® mobile to the vehicle before using it for the first time.

Pairing will enable the hands-free phone system to recognise and store a phone.

Up to 5 phones can be stored by the hands-free phone system, but only one can be connected to the hands-free phone system at any one time.

Pairing is carried out on the system and on your phone. Your navigation system and your phone must both be switched on.

Note: if a phone is connected during a new pairing procedure, it will automatically be disconnected.

To pair a phone, carry out the following operations:

- activate the phone's Bluetooth® connection (refer to your phone's manual);



011

- display the settings menu by pressing **9** then select the “Bluetooth connection” menu.
- choose an “(Empty)” location by turning **5**, **20** or **23**, then press **4**, **5** or **21** to display the next menu;
- select “Pair phone” by turning and pressing **5** or **20**;
- from your phone, run a search for Bluetooth® equipment in the vicinity of the phone;

- from the phone, select “My_Radiosat” (name of hands-free phone system) from the list;
- on the phone's keypad, enter the pairing code displayed on the radio screen.

For more information, refer to your phone's user guide.



Your hands-free phone system is only intended to facilitate communication by reducing the risk factors, without removing them completely. You must always comply with the laws of the country in which you are travelling.

PAIRING/UNPAIRING A PHONE (2/2)

Once pairing is completed:

- a message with the name of the phone that has been paired is displayed;
- the phone is automatically connected to the vehicle.

If pairing fails, the message “Connection has failed.” is displayed and a beep sounds.

If the list of paired phones is full, a new phone can only be paired if an existing phone is unpaired.

Unpairing a phone

Unpairing deletes a phone from the hands-free phone system memory.

Display the settings menu by pressing **9** then select the “Bluetooth connection” menu. Select the phone to be unpaired from the list, press **4**, **5** or **21** then select “Delete this device”.

Note: unpairing a phone erases all the contacts from the mobile phonebook downloaded to the system, as well as the associated history.

CONNECTING/DISCONNECTING A PHONE (1/2)

Connecting a paired phone

Your phone must be connected to the hands-free phone system in order to use all its functions.

No phone can be connected to the hands-free phone system if it has not first been paired. Refer to the information on “Pairing a phone” in the “Pairing/unpairing a phone” section.

Automatic connection

Once the ignition is switched on, the hands-free phone system searches for paired phones in the vicinity (if the Bluetooth® connection is activated).

The search starts with the priority phone if it has been defined (refer to the information on “Defining the priority phone” in the same section).

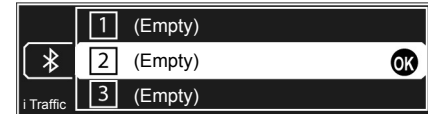
Searching will continue until a paired phone is found (this may take up to a minute).

A message will indicate that the phone is connected.

Note:

- for your phone to connect automatically when the vehicle ignition is switched on, it may be necessary to activate the automatic Bluetooth® connection function on your phone's hands-free system. To do this, refer to your phone's user manual;
- when reconnecting, and when two paired phones are within range of the hands-free system, the last phone previously connected will take priority, even if this phone is outside the vehicle but within range of the hands-free system.

Note: if a call is already in progress when your hands-free phone system is connected, the phone will automatically be connected and the conversation will switch to the vehicle speakers.



011

Manual connection (changing the phone connected)

Display the settings menu by pressing **9** then select the “Bluetooth connection” menu. You will find the list of phones already paired.

Select the phone to be connected from the list. Select “Connect the device” and confirm by pressing **5** or **20**. A message will indicate that the phone is connected.

CONNECTING/DISCONNECTING A PHONE (2/2)

Connection failure

If connection fails, check that:

- your phone is switched on;
- your phone battery is not flat;
- your phone has already been paired to the hands-free phone system;
- Bluetooth® is active on your phone and on the system;
- the phone is configured to accept the system's connection request.

Note: using your hands-free phone system for prolonged periods will discharge your phone's battery more quickly.

Disconnect a phone

Display the settings menu by pressing **9** then select the "Bluetooth connection" menu.

Select the phone to be disconnected from the list then select "Disconnect the device" by turning and pressing **5** or **20**.

If the phone is switched off, the telephone will be disconnected.

A message is then displayed on your screen to confirm that the phone is disconnected.

Note: if a call is in progress when the phone is disconnected, the call will automatically be transferred to your phone.

Defining the priority phone

Display the settings menu by pressing **9** then select the "Bluetooth connection" menu.

Select the desired phone then select "Define priority (number)" by turning and pressing **5** or **20**.

MANAGING THE MOBILE PHONEBOOK (1/2)



012

Displaying the mobile phonebook

When a phone is paired, its phonebook is automatically downloaded to the system.

Display the “Phone” menu by pressing **6** or **14** then select “Mobile phonebook”.

Select “List of contacts” to display the phonebook for your phone.



013

Selecting a contact in the mobile phonebook

To display the list of contacts, press **6** or **14**, select the heading “Mobile phonebook”, then “List of contacts”.

Select the first letter of the name by turning **5**, **20** or **23**, then press **4**, **5** or **21** to display the corresponding contact(s).

Select the desired contact then press **4**, **5** or **21** to display the details for this contact. You can assign up to 4 numbers per contact (home, work, mobile, other).

Updating the phone memory

The mobile phonebook is updated automatically in the system each time it is connected.

You can also update the mobile phonebook manually:

- display the “Phone” menu by pressing **6** or **14** then select “Mobile phonebook”;
- access the “Update” menu then select “Update”.

The maximum memory capacity is 1,000 contacts. If the memory capacity is exceeded, the system will warn you and suggest that you clear one of the contacts.

MANAGING THE MOBILE PHONEBOOK (2/2)

Deleting the mobile phonebook

Display the “Phone” menu by pressing **6** or **14** then select “Mobile phonebook”. Access the “Update” menu then select “Delete phonebook”.

Note: the contact is only deleted from the system (it remains in your phone).

Adding a contact to the mobile phonebook

Display the “Phone” menu by pressing **6** or **14** then select “Mobile phonebook”. Access the “Update” menu then select “Add contact”.

Create a new entry in the mobile phonebook by entering a name and 4 numbers. Refer to the information on “Using an alphabetical keyboard” and “Using a numerical keyboard” in the section entitled “Operating principles”.

Deleting a contact from the mobile phonebook

Display the “Phone” menu by pressing **6** or **14** then select “Mobile phonebook”. Access the “Update” menu then select “Delete contacts”.

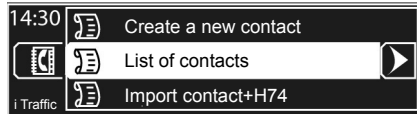
Note: the contact is only deleted from the system (it remains in your phone).

Confidentiality

The list of contacts for each phone is stored in the memory by the hands-free phone system.

For reasons of confidentiality, each downloaded contacts list can only be viewed when the corresponding phone is connected.

MANAGING THE VEHICLE PHONEBOOK (1/3)

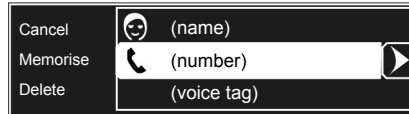


016

Displaying the vehicle phonebook

Display the "Phone" menu by pressing **6** or **14** then select "Vehicle phonebook".

Select "List of contacts" to display the vehicle phonebook. The list of contacts is in alphabetical order; it is shared by all the vehicle's users. A maximum of 40 contacts can be stored in the vehicle phonebook. You can store a name, a number and a voice tag for each contact.



015

Adding a contact to the vehicle phonebook

Display the "Phone" menu by pressing **6** or **14** then select "Vehicle phonebook". Select "Create a new contact".

Select "(name)", then "Enter/change the name" to create or modify the contact name.

Select "(number)", then "Enter/change number" to create or modify the contact number.

To use the alphabetical and numerical keyboards, refer to the information on "Using an alphabetical keyboard" and "Using a numerical keyboard" in the section entitled "Operating principles".

You can still delete your entry by selecting "Delete name" or "Delete number".

Depending on the vehicle, select "(voice tag)" to record a voice tag; refer to the information on "Using the voice command function".

After completing the various headings (name, number and voice tag), you can:

- store the contact by selecting "Memorise";
- cancel your entry by selecting "Cancel";
- delete all information you have entered by selecting "Delete".

MANAGING THE VEHICLE PHONEBOOK (2/3)

Importing a contact

You can import a contact into the vehicle phonebook from the mobile phonebook or the call history list.

Display the “Phone” menu by pressing **6** or **14** then select “Vehicle phonebook”. Select “Import contact+H74”. Select one of the following headings to import your contact:

- “Mobile phonebook”;
- “Dialled numbers”;
- “Received calls”;
- “Missed calls”.

Select the contact or number to be imported from the list displayed on the screen.

Select “Memorise” to store the contact in the vehicle phonebook.

A message is displayed on the screen asking if you wish to modify this contact; select “No” to store the contact, or “Yes” to modify it.

Modifying a contact

After the list of contacts is displayed, select the contact to be modified, then select “Modify this contact”.

You can modify the contact name and number using the alphabetical and numerical keyboards. Refer to the information on “Using an alphabetical keyboard” and “Using a numerical keyboard” in the section entitled “Operating principles”.

To modify the voice tag, refer to the section entitled “Using the voice command function”.

Deleting a contact

After the list of contacts is displayed, select the contact to be deleted, then select “Delete this contact”.

A message is displayed on the screen requesting confirmation of the deletion; select “Confirm” to confirm.

Deleting the vehicle phonebook

Display the “Phone” menu by pressing **6** or **14** then select “Vehicle phonebook”. Select “Delete phonebook”.

A message is displayed on the screen requesting confirmation of the deletion; select “Confirm” to confirm.

MANAGING THE VEHICLE PHONEBOOK (3/3)

Storing a contact in the vehicle phonebook

You can also store a contact directly in the vehicle phonebook from the mobile phonebook or the call history list.

Select a contact from the mobile phonebook (refer to the information on “Selecting a contact from the mobile phonebook” in the section entitled “Managing the mobile phonebook”). Select “Memorise” to store this contact in the vehicle phonebook.

To store a contact from the call history list, press **6** or **14** to display the “Phone” menu. Access the “Call history list” menu then select the source of the desired contact (“Dialled numbers”, “Received calls” or “Missed calls”). The call history list is displayed on the screen; select the contact or number to be sent, then the heading “Copy this contact” to store the contact in the vehicle phonebook.

GB.32

MAKING AND RECEIVING A CALL (1/3)

Calling a contact from a phonebook

Calling a contact from the mobile phonebook

Select a contact from the mobile phonebook (refer to the information on “Selecting a contact from the mobile phonebook” in the section entitled “Managing the mobile phonebook”). Select “Call” to make the call.

Calling a contact from the vehicle phonebook

Display the “Phone” menu by pressing **6** or **14** then select “Vehicle phonebook”. Select “List of contacts” to display the vehicle phonebook. Select a contact to call from the list then select “Call” to make the call.



It is recommended that you stop your vehicle before entering a number or searching for a contact.



017

Call from a contact stored in the call log

Display the “Phone” menu by pressing **6** or **14** then access the “Call history list” menu. Select the “Dialled numbers”, “Received calls” or “Missed calls” menu. The call history list is displayed on the screen; select the contact or number to call then select “Call this contact” to make the call.

Updating the call history list

Display the “Phone” menu by pressing **6** or **14**. Access the “Call history list” menu and select “Update”.

Calling a contact using the voice command function (depending on the vehicle)

Refer to the Section entitled “Using voice command”.

MAKING AND RECEIVING A CALL (2/3)

Making a call by dialling a number

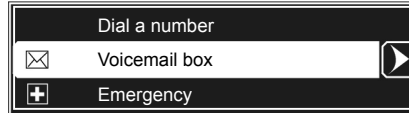
Display the “Phone” menu by pressing **6** or **14** then select the “Dial a number” menu.

Dial the desired number using the numerical keyboard (refer to the information on “Using a numerical keyboard” in the section entitled “Operating principles”) and select “Call”.

Calling the voicemail box

Display the “Phone” menu by pressing **6** or **14**. Access the “Voicemail box” menu then select “Call” to make the call.

The voicemail box number varies depending on the service provider. You can modify the number by selecting “Enter/change number”.



018

Dialling emergency services

Display the “Phone” menu by pressing **6** or **14**. Access the “Emergency” menu then select “Call” to make the call.

Emergency numbers vary depending on the country. You can modify the number by selecting “Enter/change number”.

Receiving a call

When receiving a call, the caller’s number is displayed on the screen (this function depends on the options you have subscribed to with your service provider).

If the caller’s number is in one of the memories, the name of the caller is displayed instead of the number.

If the caller number cannot be displayed, the message “Private number” is displayed on the screen.

Note: the hands-free system ringtone depends on the phone model and its mode (silent, vibrate, etc.).



It is recommended that you stop your vehicle before entering a number or searching for a contact.

MAKING AND RECEIVING A CALL (3/3)

Automatic call waiting

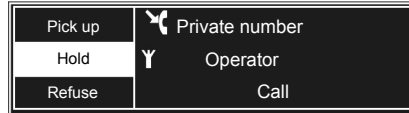
In order to make your hands-free phone system as safe as possible, the call waiting function is automatically activated.

When an incoming call arrives, a message alerts your caller to the fact that you are driving.

Note: the call starts and your caller's phone counter records the length of the message.

To deactivate automatic call waiting, refer to the information on "Automatic/manual call waiting" in the section entitled "Phone settings".

The automatic call waiting function allows the user to answer a call when it is safe to do so. We recommend that you activate this function.



019

Automatic call waiting deactivated

When receiving a call, you can:

- reject the call by selecting "Refuse" or pressing and holding **18**;
- place your caller on hold by selecting "Hold". A "caller on hold" message is then sent to your caller;
- pick up by selecting "Pick up" or pressing **18**;
- adjust the volume of the ringtone by using buttons **15** and **16** or **1** when the ringtone is active.

DURING A CALL

Handset	Private number	
Hang up	Operator	001:11
Hold	Call in progress	

020

During a call

During a call you can:

- **adjust the volume** by pressing **15** or **16**, or by turning **1**;
- **enter a number on the keyboard** (so that you can control a voice server such as your voicemail box).

To do this, select the heading “Keyboard” in the call management zone;

- **put a call on hold:** the person you are speaking to will then hear a voice message asking them to wait.

To do this, select the heading “Pause” (once the heading “Pause” is selected, it is replaced by “Pick up”). When a call is placed on hold your phone is considered to be receiving a call;

- **picking up a call on hold:** you may continue the communication at any moment.

To do this, select the heading “Pick up” in the call management zone;

- **hang up** by pressing **18** or selecting the heading “Hang up” in the call management zone;

- **switch the call to the phone** by selecting the heading “Handset” in the call management zone.

Note: some phones disconnect from the system during the switch to “Handset” mode.

PHONE SETTINGS (depending on the vehicle)

Display the settings menu by pressing **9**. Select "Phone settings".

The system exits the settings mode automatically without the need for any action on the part of the user. You can also exit the settings mode by pressing **9**.

Adjusting the ringtone, voice recognition and call volumes

Access the "Volume" menu, then select from the following headings:

- "Voice prompt volume";
- "Ringing volume";
- "Communication volume".

Adjust the volume by turning **5**, **20** or **23**.

Vehicle/phone ringtone

You can select the type of ringtone activated for an incoming call: either the vehicle or phone ringtone. Access the "Ring tone" menu then check "Vehicle" or "Phone".

Note: your phone may not have the ringtone transfer function; please refer to the compatibility list.

Manual/automatic call waiting

Access the "Put on hold" list then check "Automatic" (default setting) or "Manual".

In automatic mode, a beep will sound to indicate that a call is on hold.

The automatic call waiting function allows the user to answer a call when it is safe to do so. We recommend that you activate this function.

Software version

To display the software version, select "Display software version" by turning and pressing **5** or **20**.

Default settings

Select "Default settings" by turning and pressing **5** or **20**. A message is displayed on the screen requesting confirmation of your selection. Select "Confirm" to confirm.

All the system settings return to their default values.

USING THE VOICE COMMAND FUNCTION (depending on the vehicle)

Recording a voice tag

You can record a voice tag when creating or modifying a contact in the vehicle phonebook; refer to the section entitled "Managing the vehicle phonebook".

Select "(voice tag)" by turning **5**, **20** or **23**, press **4**, **5** or **21**, then select "Launch voice tag recording" by pressing **5** or **20**.

A message asks you to record your voice tag. Speak after the beep. A message asks you to repeat the voice tag.

If the system does not recognise the voice tag you have repeated, a message asks you to repeat it again.

At the end, a message confirms that your voice tag has been recorded.

Note: be sure to store your contact so that the recording operates correctly.

Modifying, listening to or deleting a voice tag

After recording a voice tag, you can still modify, listen to or delete it.

Select a contact to be modified from the vehicle phonebook (refer to the section entitled "Managing the vehicle phonebook"). Select "Modify this contact" then "(voice tag)", then "Modify the recorded voice tag", "Listen to the recorded voice tag" or "Delete the recorded voice tag".

Dialling a voice tag

Press **19** to activate voice recognition. Record your voice tag after the beep.

If the system does not recognise the voice tag, a message asks you to repeat it.

If the system still does not recognise the voice tag, it plays the list of recorded voice tags. Repeat the voice tag.

If the system still does not recognise your voice tag, the voice recognition function is automatically deactivated.

Note: say the voice tag directly. Do not say "Call" before the voice tag.

SYSTEM SETTINGS

Display the settings menu by pressing **9**. Select “System settings”.

The system exits the settings mode automatically without the need for any action on the part of the user. You can also exit the settings mode by pressing **9**.

Setting the time

(depending on vehicle)

Access the “Clock” menu.

Press **4** or **21** to select the “Time” headings, then turn **5**, **20** or **23** to adjust the time. Click on **4** to select the “Minutes” heading, then turn **5**, **20** or **23** to adjust the time.

Choosing the language

Access the “Language” menu.

Select a language for the text and voice recognition from the 9 available.

Note: the voice recognition and phone functions are not available when the language is being changed.

Default settings

Select “Default settings” by turning and pressing **5** or **20**. A message is displayed on the screen requesting confirmation of your selection. Select “Confirm” to confirm.

All the system settings return to their default values.

OPERATING FAULTS (1/3)

Description	Possible causes	Solutions
No sound can be heard.	The volume is set to minimum or pause.	Increase the volume or deactivate pause.
The audio system does not work and the display does not light up.	The audio system is not switched on.	Switch the audio system on.
	The audio system fuse has blown.	Replace the fuse (see information on "Fuses" in the vehicle Driver's Handbook).
The audio system does not work but the display lights up.	The volume is set to minimum.	Turn 1 or press 15 .
	Speaker short circuit.	Contact a representative from the manufacturer.
No sound comes out of the left- or right-hand speakers when using the radio or a CD.	The sound balance setting (left/right) is incorrect.	Correct the sound balance setting.
	Speaker disconnected.	Contact a representative from the manufacturer.
Poor radio reception or no reception.	The vehicle is too far from the transmitter to which the radio is tuned (background noise and interference).	Find another transmitter with better reception in your area or deactivate the "RDS-AF" function.
	The reception is disrupted by interference from the engine.	Contact a representative from the manufacturer.
	The aerial is damaged or not connected.	Contact a representative from the manufacturer.

GB.40

OPERATING FAULTS (2/3)

Description	Possible causes	Solutions
The initial read time of a CD seems long.	CD soiled.	Eject and clean the CD.
	CD MP3.	Wait: the CD MP3 requires a long time to be read.
“Error CD” is displayed or the CD is ejected by the audio system.	CD incorrectly inserted or dirty, damaged or incompatible.	Eject the CD. Correctly insert a clean, undamaged or compatible CD.
Some CD MP3 files cannot be read.	Audio and non-audio files have been saved on the same CD.	Save audio and non-audio files on different CDs.
The audio system cannot read the CD MP3.	The CD has been written at a speed of less than 8x or more than 16x.	Write your CD at a speed of 8x.
	The CD has been written in multi-session mode.	Write your CD in Disc at Once mode or write the CD in Track At Once mode, and finalise the CD after the last session.
The CD MP3 playback quality is poor	The CD is black or of a colour with a lower reflective capacity, which reduces the playback quality.	Copy your CD to a white or light-coloured CD.

OPERATING FAULTS (3/3)

Description	Possible causes	Solutions
Voice recognition does not operate.	The microphone does not work.	Contact a representative from the manufacturer.
	No phone is connected.	Connect your phone and try again.
Voice recognition operates incorrectly.	The area it is used in is too noisy.	Try to speak in a less noisy area which is suitable for voice recognition (close the windows and turn down the heating and air conditioning system) then try again.
You have not managed to record your voice tag.	Noise interference.	Try again in a quieter location (stop the windscreen wipers, etc.).
The phone does not connect to the system.	Refer to the information on “Connection failure” in the section entitled “Connecting/disconnecting a phone”.	Refer to the information on “Connection failure” in the section entitled “Connecting/disconnecting a phone”.
The Bluetooth® portable audio player does not connect to the system.	Refer to the information on “Connection failure” in the section entitled “Bluetooth® portable audio player”.	Refer to the information on “Connection failure” in the section entitled “Bluetooth® portable audio player”.

GB.42

ALPHABETICAL INDEX

A

album GB.18
 auxiliary input GB.21

B

background/on-hold music GB.19
 balance GB.19
 Balance GB.19
 bass GB.19
 Bluetooth connection GB.21 – GB.22
 Bluetooth® GB.4 – GB.5, GB.22 – GB.23
 Bluetooth® portable audio player GB.22 – GB.23
 connecting GB.23
 disconnecting GB.23
 pairing GB.22
 unpairing GB.22

C

call GB.33 – GB.34
 call history GB.33 – GB.34
 call volume GB.11, GB.36 – GB.37
 call waiting GB.35 → GB.37
 CD/MP3 CD
 changing a WMA CD album GB.18
 eject GB.17
 fast winding GB.18
 insert GB.17
 listen GB.17 – GB.18
 maintenance GB.17 – GB.18
 MP3 CD specifications GB.17
 random playback GB.18
 select GB.18
 CD text GB.18
 choosing the source GB.10
 clock
 setting GB.39

communication GB.36
 connect a telephone GB.26
 connection
 failure GB.23, GB.25, GB.27
 contacts GB.28 → GB.32
 contacts list GB.28 → GB.32
 controls GB.6 → GB.9

D

default settings GB.39
 dialling GB.34
 dialling a number GB.34
 disconnect a telephone GB.27

E

emergency call GB.34

F

fast winding GB.18
 FM/LW/MW bandwidths GB.4, GB.14
 FM station tracking GB.15

H

hands-free phone kit GB.5
 hands-free telephone system GB.33 → GB.35

I

ID3 tag GB.18
 i Traffic GB.16, GB.20
 inserting a CD GB.17

J

Jack socket GB.21

L

languages GB.39

GB.43

ALPHABETICAL INDEX (continued)**M**

mobile
 See portable audio player..... GB.22 – GB.23
 MP3..... GB.17 – GB.18
 mute..... GB.11

O

operating faults..... GB.40 → GB.42
 operation..... GB.10 – GB.11

P

pairing a telephone..... GB.24 – GB.25
 pause..... GB.9, GB.11, GB.18, GB.35, GB.37
 portable audio player..... GB.21
 precautions during use..... GB.3
 priority phone..... GB.27
 PTY..... GB.4, GB.16

R

radio
 automatic mode..... GB.14
 automatic station storage..... GB.15
 choosing a station..... GB.14
 manual mode..... GB.14
 radio station..... GB.14 → GB.16
 radio stations list
 update..... GB.20
 radio-text..... GB.16
 range of wavelengths..... GB.14
 RCA socket..... GB.21
 RDS..... GB.4 – GB.5
 RDS-AF..... GB.15, GB.20
 RDS-AF frequency tracking..... GB.15, GB.20
 receiving a call..... GB.34
 ringtone..... GB.37
 ringtone volume..... GB.37

GB.44

S

select
 range of wavelengths..... GB.14 → GB.16
 settings
 audio..... GB.11, GB.19 – GB.20
 balance..... GB.19
 fader..... GB.19
 software
 audio connection box..... GB.20
 telephone compatibility..... GB.37
 sound optimisation..... GB.19
 storing a radio station..... GB.15
 switching off..... GB.10

T

telephone contacts list..... GB.28 – GB.29, GB.33
 tone..... GB.19
 treble..... GB.19

U

unpairing a telephone..... GB.25
 USB socket..... GB.21

V

vehicle list..... GB.30 → GB.33
 voice control..... GB.5, GB.38
 voice marker..... GB.30 – GB.31, GB.38
 voice recognition..... GB.9, GB.37 – GB.38
 voice recognition assistance..... GB.38
 volume..... GB.9, GB.11
 volume: adapted to speed..... GB.11, GB.20

W

WMA..... GB.17 – GB.18