



To whom it may concern

Robert Bosch GmbH  
Postfach 10 01 56  
70745 Leinfelden-  
Echterdingen  
Visitors:  
Max-Lang-Straße 40-46  
70771 Leinfelden  
Tel 0711 758-0  
www.bosch.com

**Applicant / Manufacturer Hardware**

Robert Bosch GmbH  
70745 Leinfelden-Echterdingen  
Germany

22 June 2016

**Content**

Regulatory information for FCC for US and IC for Canada for

Device name: GCY Idefix  
Manufacturer part number: 1600A00H6H  
FCC ID: TXTIDX01  
IC: 909H-IDX01

**Preamble**

By purchase of any products described in this document the customer accepts the document's validity and declares their agreement and understanding of its contents and recommendations. Robert Bosch GmbH and Robert Bosch Power Tools GmbH reserve the right to make changes as required without notification.

**Notice**

This device complies with Part 15 of the FCC Rules and with Industry Canada licence-exempt RSS standard(s).

Operation is subject to the following two conditions:

- (1) This device may not cause harmful interference, and
- (2) This device must accept any interference received, including interference that may cause undesired operation.

Le présent appareil est conforme aux CNR d'Industrie Canada applicables aux appareils radio exempts de licence. L'exploitation est autorisée aux



deux conditions suivantes:

- (1) l'appareil ne doit pas produire de brouillage, et
- (2) l'appareil doit accepter tout brouillage radioélectrique subi, même si le brouillage est susceptible d'en compromettre le fonctionnement.

22 June 2016

Page 2 of 5

### **Caution & Requirements**

The FCC requires the user to be notified that changes or modifications made to the equipment not expressly approved by Robert Bosch GmbH and Robert Bosch Power Tools GmbH may void the FCC / IC authorization to operate this equipment.

The use of the transceiver module is authorized in mobile or fixed host devices taking into account the conditions listed below:

- OEM Integrator must ensure that the end user manual may not contain any information about the way to install or remove the module from the final product.
- Depending on the final host device additional authorization requirements for the non-transmitter functions of the transmitter module may be required (i.e., Verification, or Declaration of Conformity) The OEM integrator is responsible for ensuring that after the module is installed and operational the host continues to be compliant with the Part 15B unintentional radiator requirements.
- The information on the label and in the user manual is required to be incorporated in the user manual of the final host. see 47 CFR15 requirements for more details (e.g. 15.19 / 15.21 / 15.101 / 15.105 / RSS-GEN / ICES)
- Additional label with the words '**Contains FCC ID:TXTIDX01**' and '**Contains IC:909H-IDX01**' shall be applied and visible from the outside of the host product.
- The module must be installed and used in strict accordance with the manufacturer's instructions as described in the user documentation that comes with the module.
- The end user manual for the final host product operating with this transmitter must include operating instructions to satisfy RF exposure compliance requirements, e.g

### **Radiofrequency radiation exposure Information:**

This equipment complies with FCC radiation exposure limits set forth for an uncontrolled environment. This equipment should be installed and operated with minimum distance of 20 cm between the radiator



and your body. This transmitter must not be co-located or operating in conjunction with any other antenna or transmitter.

22 June 2016

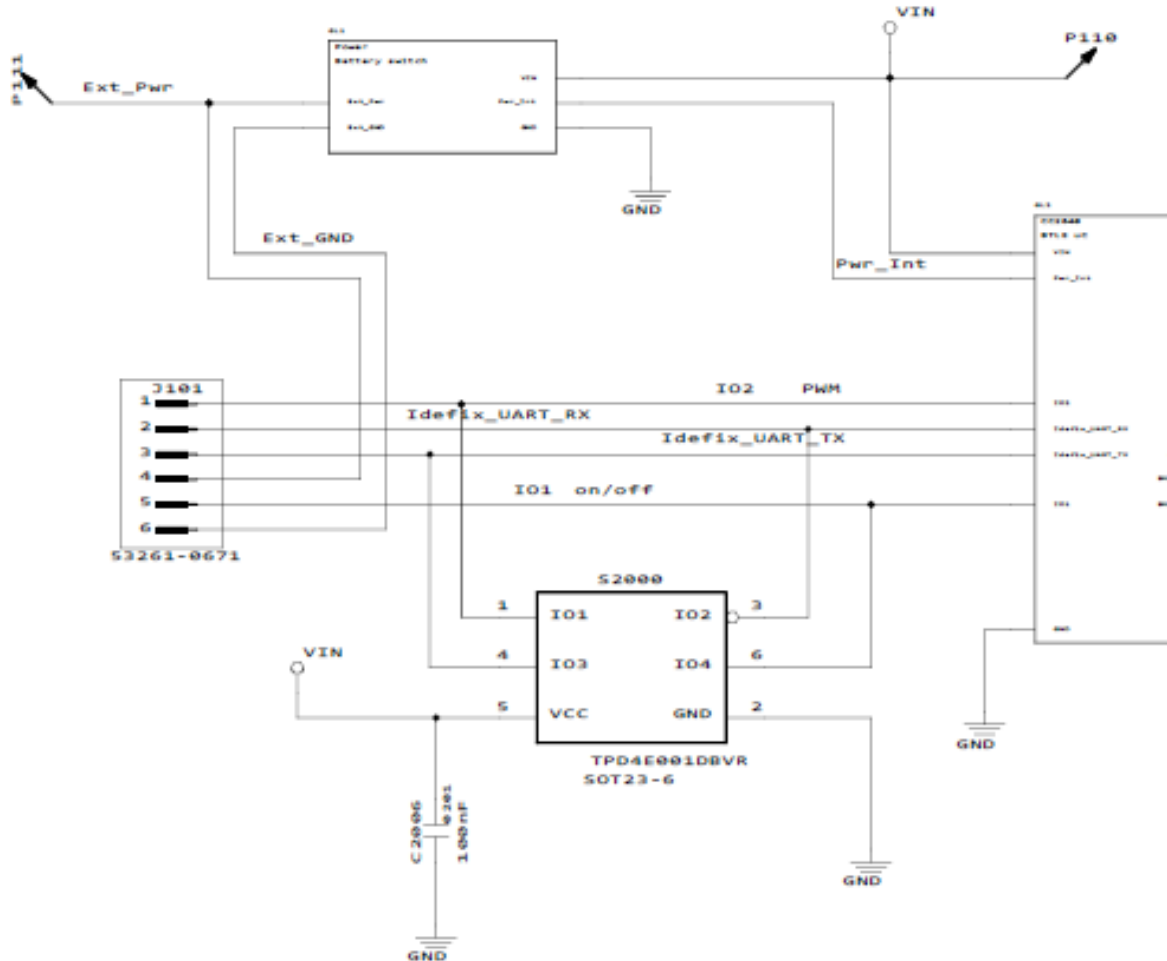
Page 3 of 5

Cet équipement est conforme aux limites d'exposition aux rayonnements IC établies pour un environnement non contrôlé. Cet équipement doit être installé et utilisé avec un minimum de 20 cm de distance entre la source de rayonnement et votre corps.

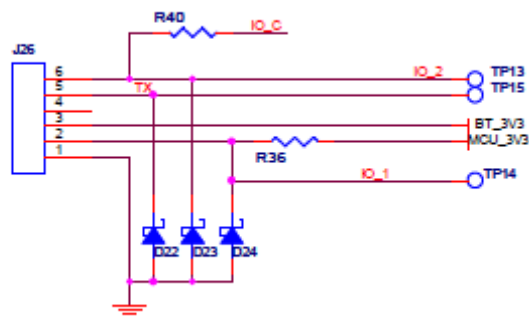
- The antenna of the module may not be removed, replaced nor modified. The antenna must not be co-located or operating in conjunction with any other antenna or transmitter. No additional antenna must be used.
- When the final host product operating with this transmitter deviate from above, installation of this module into specific final hosts may require the submission of a Class II permissive change application containing data pertinent to RF Exposure, spurious emissions, ERP/EIRP, and host/module authentication, or new application if appropriate.

### **Device Power Supply**

The transmitter described in this document is intended to be supplied by an external voltage supply: Either directly with nominal 3V by a CR2032 coin cell via the corresponding “coin cell +/-” pins and/or with nominal 3.3.V indirectly by a host device via the “ext\_pwr” pins.



Exemplary block diagram of interface at host device (“BT\_3V3” corresponds to “ext\_pwr”):



Feel free to contact us if additional guidance is required.

Yours sincerely

Robert Bosch GmbH

