

**Multifunction Electronic Modules - Body Control Module (BCM)**

B-MAX 2012.75 (01/2012-)

[Print](#) [Report An Error](#)**Removal and Installation****General Equipment**

Ford approved diagnostic tool
-------------------------------

**Removal**

**NOTICE:** Modules are not interchangeable between vehicles.

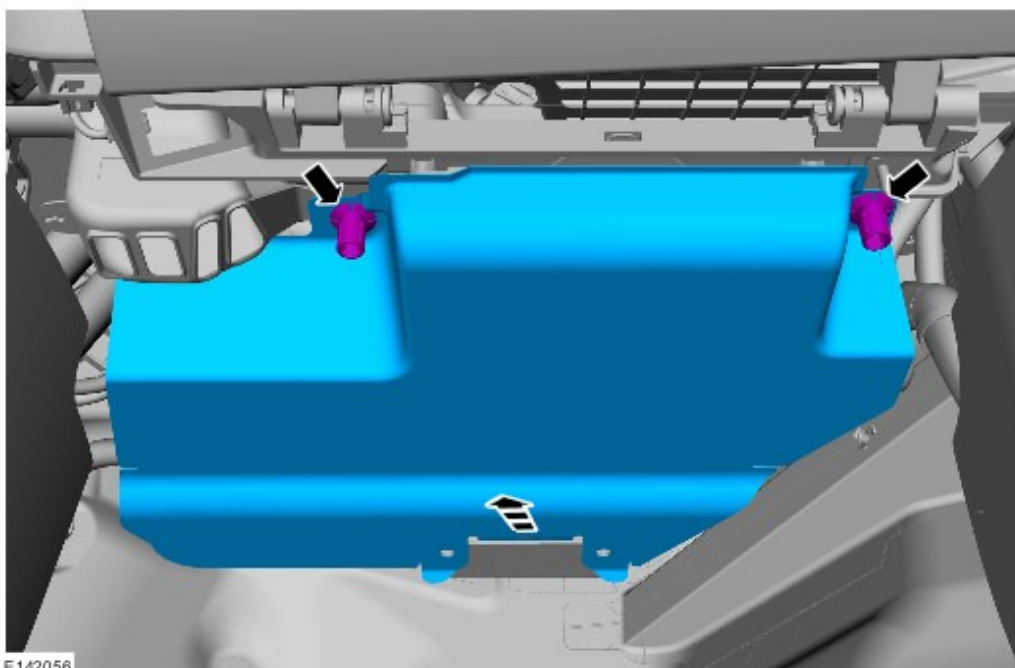
**NOTE:** Removal steps in this procedure may contain installation details.

1. **NOTE:** This step is only necessary when installing a new component.

Upload the module information from the diagnostic tool to the module using the Programmable Modules Installation routine.

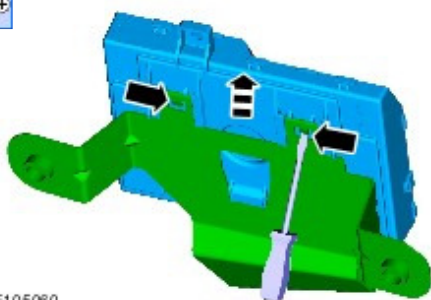
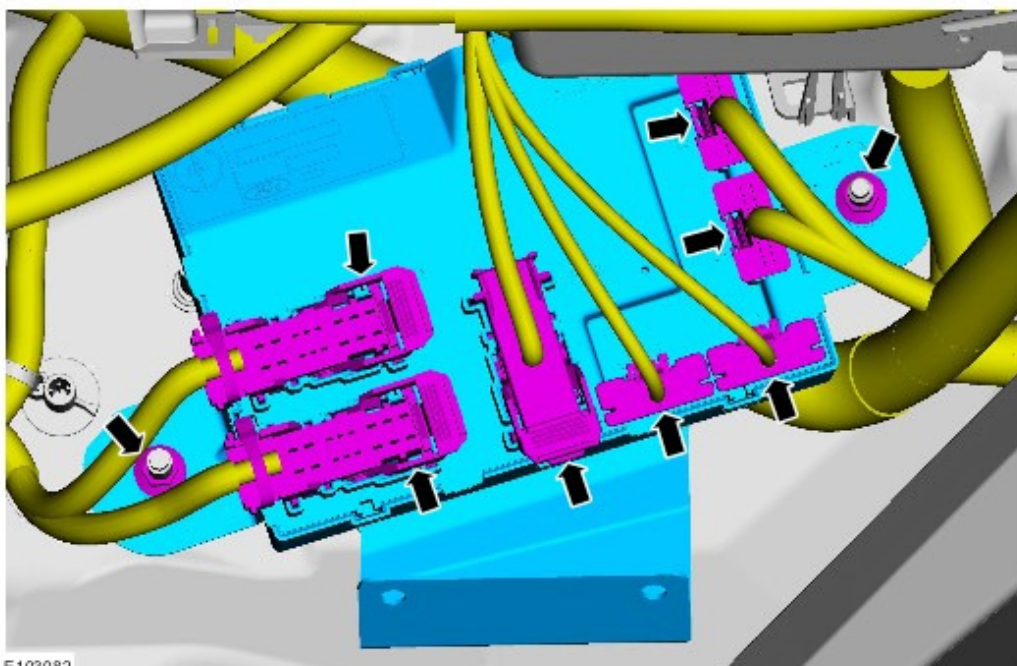
*Use the General Equipment:* [Ford approved diagnostic tool](#)

2. Refer to: [Battery Disconnect and Connect](#) (414-01 Battery, Mounting and Cables, General Procedures).



3.

4. *Torque:*  
3 Nm



5.

### Installation

1. To install, reverse the removal procedure.
2. **NOTE:** This step is only necessary when installing a new component.  
Download the module information to the diagnostic tool using the Programmable Modules Installation routine.