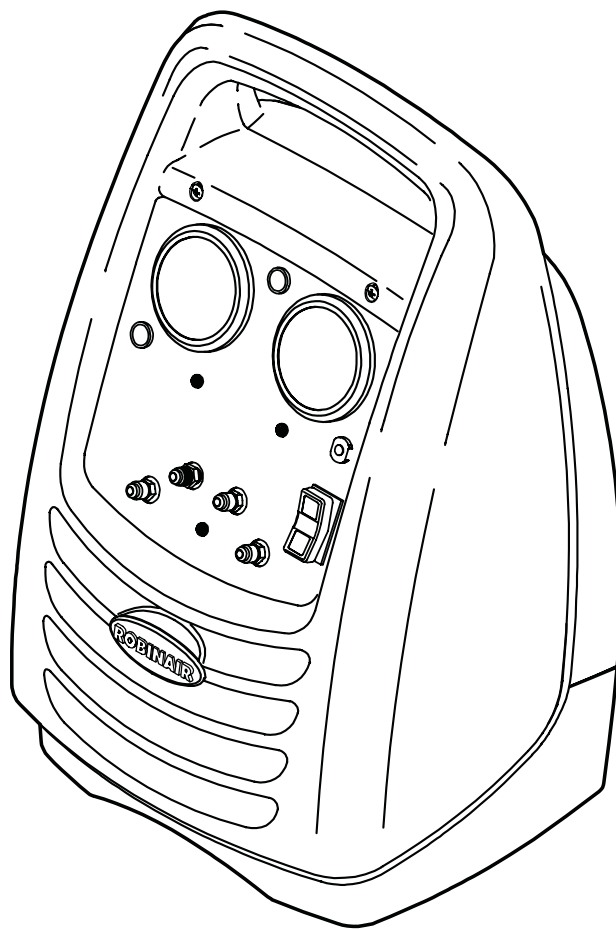


ROBINAIR[®]

AN SPX BRAND

*Operating Manual
Manual de funcionamiento
Manuel d'utilisation*



*Not for use in automotive
R-134a applications.*

Model 25200B

Refrigerant Recovery Unit

SAFETY DEFINITIONS: Follow all **WARNING**, **CAUTION**, **IMPORTANT**, and **NOTE** messages in this manual. These messages are defined as follows: **WARNING** means you may risk serious personal injury or death; **CAUTION** means you may risk personal injury, property damage, or unit damage; **IMPORTANT** means you may risk unit damage; and **NOTES** and **OPERATING TIPS** provide clarity and helpful information. These safety messages cover situations ROBINAIR is aware of. ROBINAIR cannot know, evaluate, and advise you as to all possible hazards. You must verify that conditions and procedures do not jeopardize your personal safety.

DISCLAIMER: Information, illustrations, and specifications contained in this manual are based on the latest information available at the time of publication. The right is reserved to make changes at any time without obligation to notify any person or organization of such revisions or changes. Further, ROBINAIR shall not be liable for errors contained herein or for incidental or consequential damages (including lost profits) in connection with the furnishing, performance, or use of this material. If necessary, obtain additional health and safety information from the appropriate government agencies and the vehicle, refrigerant, and lubricant manufacturers.

WARNINGS



ALLOW ONLY QUALIFIED PERSONNEL TO OPERATE THE UNIT. Before operating the unit, read and follow the instructions and warnings in this manual. The operator must be familiar with air conditioning and refrigeration systems, refrigerants, and the dangers of pressurized components. If the operator cannot read this manual, operating instructions and safety precautions must be read and discussed in the operator's native language.



PRESSURIZED TANK CONTAINS LIQUID REFRIGERANT. Do not overfill the internal storage vessel, because overfilling may cause explosion and personal injury or death. Do not recover refrigerants into nonrefillable containers; use only federally authorized refillable containers (DOT spec. 4BW or 4BA).



HOSES MAY CONTAIN LIQUID REFRIGERANT UNDER PRESSURE. Contact with refrigerant may cause personal injury. Wear protective equipment, including safety goggles. Disconnect hoses using extreme caution.



DO NOT BREATHE REFRIGERANT AND LUBRICANT VAPOR OR MIST. Exposure may cause personal injury, especially to the eyes, nose, throat, and lungs. Use the unit in locations with mechanical ventilation that provides at least four air changes per hour, or position the unit 18 inches above the floor. If accidental system discharge occurs, ventilate the work area before resuming service.



DO NOT USE AN EXTENSION CORD. An extension cord may overheat and cause fire. If you must use an extension cord, use the shortest possible cord with a minimum size of 14 AWG.

TO REDUCE THE RISK OF FIRE, do not use the unit in the vicinity of spilled or open containers of gasoline or other flammable substances.



DO NOT USE COMPRESSED AIR TO PRESSURE TEST OR LEAK TEST THE UNIT OR HVAC/R SYSTEM. Some mixtures of air and refrigerant are combustible at elevated pressures. These mixtures are potentially dangerous and may result in fire or explosion causing personal injury or property damage.

USE THIS UNIT WITH ONLY THE FOLLOWING REFRIGERANTS: R-12, R-22, R-134a, R-401A, R-401B, R-402A, R-402B, R-404A, R-407A, R-407B, R-407C, R-408A, R-409A, R-410A, R-500, R-502, R-507. The unit is designed to only recover refrigerant. Do not attempt to adapt the unit for refrigerant that is not in this list. Do not mix refrigerant types through a system or in the same container; mixing of refrigerants will cause severe damage to the unit and the air conditioning system.



HIGH VOLTAGE ELECTRICITY INSIDE THE UNIT HAS A RISK OF ELECTRICAL SHOCK. Exposure may cause personal injury. Disconnect the power before servicing the unit.

ADDITIONAL HEALTH AND SAFETY INFORMATION MAY BE OBTAINED FROM THE REFRIGERANT AND LUBRICANT MANUFACTURERS.

This equipment has been certified by ARI to meet the EPA minimum requirements for recovery equipment intended for use with all HCFC appliances and other high pressure appliances.

OPERATING NOTE: At temperatures exceeding 120° F / 49° C, wait 10 minutes between recovery jobs.

TABLE OF CONTENTS

Glossary of Terms 1

Operating Guidelines 2

Setup Instructions 2

Operating Instructions 4

 Recovery Procedure 4

 Tank-to-Tank Transfer 5

 High Pressure 5

 Self-Clearing Procedure 6

Maintenance. 7

 Replacement Parts 7

Troubleshooting Tips 8

Flow Diagram 9

Wiring Diagram 10

Conversion Chart 11

Warranty Statement 12

Safety Precautions inside front cover

GLOSSARY OF TERMS

- A/C-R** Air conditioning or refrigeration.
- A/C-R System** The air conditioning or refrigeration system being serviced.
- Unit** The refrigerant recovery unit.
- Tank** The refillable refrigerant tank.

Setup Instructions

OPERATING GUIDELINES

- The voltage at the unit must be $\pm 10\%$ of the unit's rated voltage.
- Extension cords must be a minimum of 14 AWG and kept as short as possible.
- To minimize mixing of refrigerants, the self-clearing procedure must be performed after each recovery operation.
- The low-side gauge on the unit allows you to monitor system pressure and stop recovery when a deep enough vacuum has been reached. The high-side gauge allows you to monitor the refillable tank pressure.
- When changing from liquid to vapor, the unit may switch back and forth several times before staying on vapor. You may notice the liquid light switching and hear the solenoids opening and closing. This is normal and does not affect the unit or its operation.

SET-UP INSTRUCTIONS

The unit comes with four 60-inch Enviro-Guard hoses with ball valves. Either blue hose may be used where blue hose connections are called for, and either red hose may be used for red hose connections.

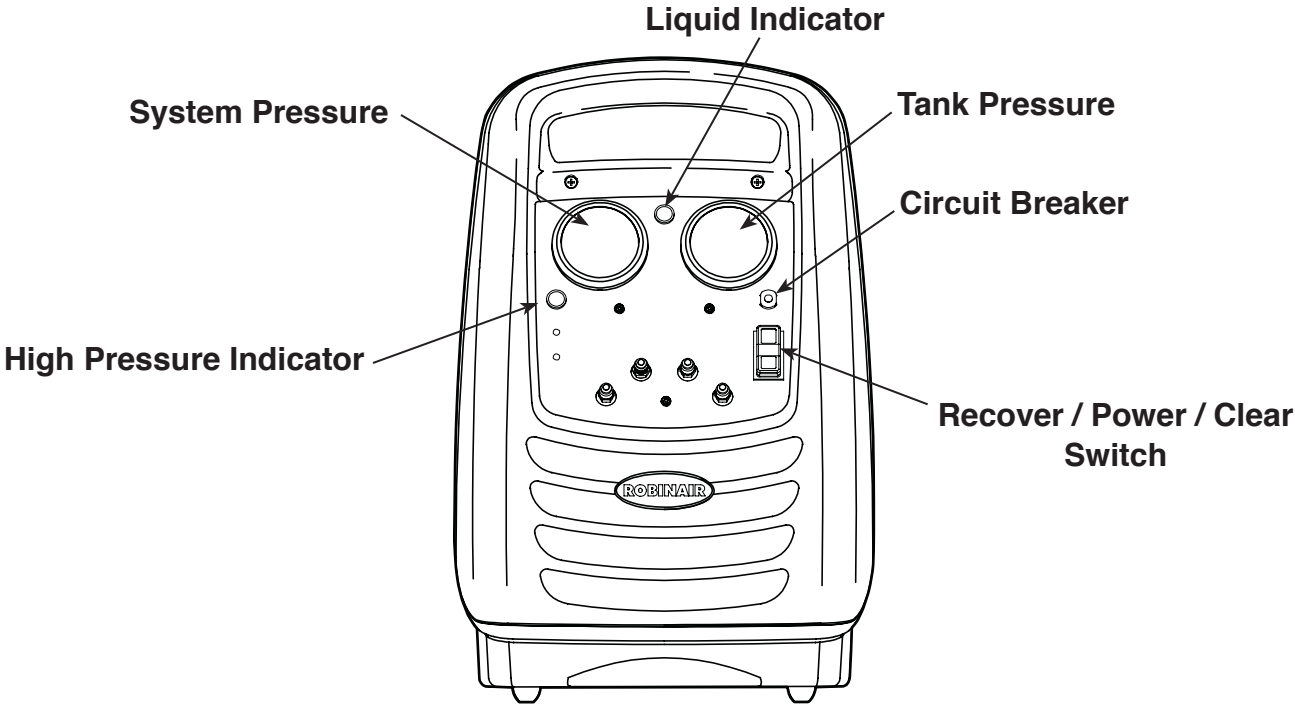
CAUTION: To prevent personal injury, all valves on hoses must be in the closed position before making connections.

1. Connect the hoses as follows:

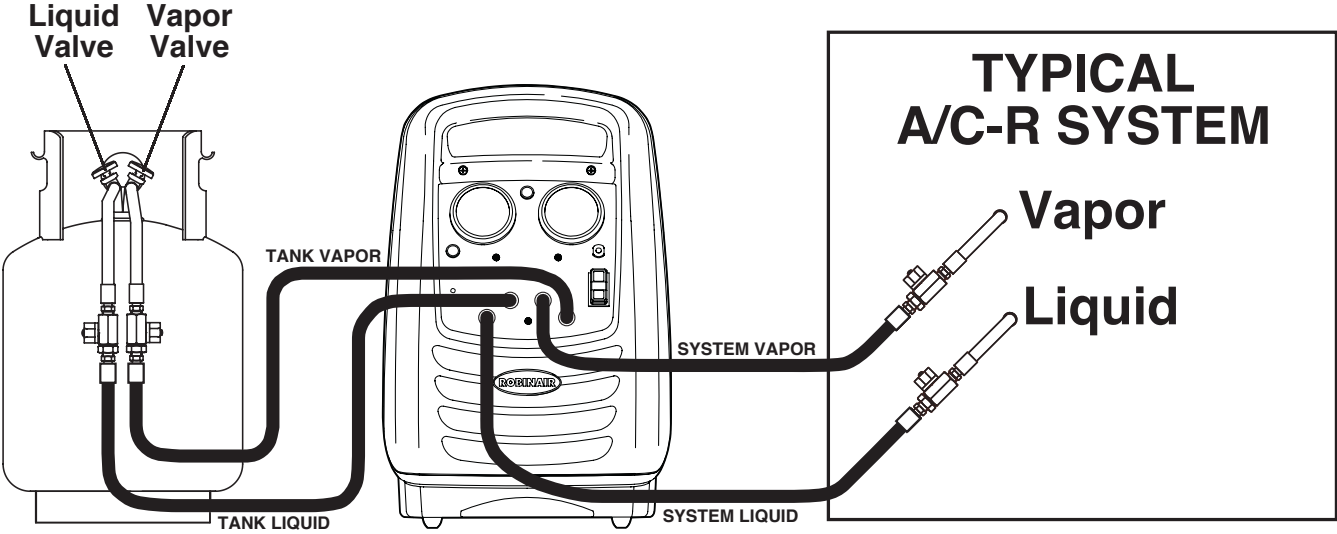
Hose	Connect Standard End To:	Connect Ball Valve End To:
Blue Hose	TANK LIQUID fitting on unit	LIQUID port on tank
Red Hose	TANK VAPOR fitting on unit	VAPOR port on tank
Blue Hose	SYSTEM VAPOR fitting on unit	SYSTEM VAPOR port
Red Hose	SYSTEM LIQUID fitting on unit	SYSTEM LIQUID port

2. Plug the unit into a correct voltage electrical outlet. The fan starts running immediately and the unit is ready for operation.

Setup Instructions



Front View of Unit



Hose Connections

Operating Instructions

RECOVERY PROCEDURE



WARNING



To prevent personal injury,

Read and follow all warnings at the beginning of this manual before operating the unit. Wear safety goggles when working with refrigerants. Use only authorized refillable refrigerant tanks.

Disconnect hoses using extreme caution. All hoses may contain refrigerant under pressure.

1. Connect hoses as described in the *Setup Instructions*.
2. Open the LIQUID and VAPOR valves on the recovery tank. Open the ball valves on all four hoses.

NOTE: To prevent overfilling, monitor the tank capacity/weight during recovery. During liquid recovery, refrigerant transfers rapidly. Monitor tank weight using the appropriate weight scale.

3. Look at the system pressure gauge on the unit to confirm there is refrigerant pressure in the system. If there is no pressure, there is no refrigerant to be recovered.

NOTE: By taking the ambient temperature and using a pressure/temperature chart, you can use this pressure to determine the type of refrigerant in the system.

4. Turn the switch to RECOVER. The light on the switch illuminates and you will hear the compressor start.

A float chamber monitors the refrigerant being recovered and automatically adjusts the unit to handle either liquid or vapor refrigerant. This provides for the most efficient recovery. The amber light on the control panel indicates when liquid is entering the unit.

5. The blue gauge labeled SYSTEM PRESSURE shows the current system pressure throughout the recovery process. When the system pressure reaches an adequate vacuum level, turn the RECOVERY switch OFF.

The recovery process is complete, but the unit must be cleared before disconnecting all hoses. (Refer to the *Self-Clearing Procedure*.)

TANK CAPACITY CHART

Refrigerants	30 lb. Tank	50 lb. Tank
R-12	22 lbs.	40 lbs.
R-22	22 lbs.	40 lbs.
R-134a	22 lbs.	41 lbs.
R-407C	21 lbs.	39 lbs.
R-410A	19 lbs.	36 lbs.



WARNING



The refrigerant level in the tank must not exceed 80% of the tank volume. Failure to monitor the level could result in excessive hydrostatic pressures, causing physical injury or death.

TANK-TO-TANK TRANSFER

When recovering refrigerant from one refillable tank into another, the color of the hoses used for SYSTEM LIQUID and SYSTEM VAPOR may not match the color of the liquid and vapor valves on the tank you are pulling the refrigerant from. Confirm the hose for SYSTEM LIQUID is connected to the liquid valve of the tank, and the hose for SYSTEM VAPOR is connected to the vapor valve of the tank.

1. Connect the hoses in the following manner.

Standard End connects to:	Ball Valve End connects to:
TANK LIQUID fitting on unit	LIQUID port on tank refrigerant is being transferred into
TANK VAPOR fitting on unit	VAPOR port on tank refrigerant is being transferred into
SYSTEM VAPOR fitting on unit	VAPOR port on tank refrigerant is being transferred from
SYSTEM LIQUID fitting on unit	LIQUID port on tank refrigerant is being transferred from

2. Follow Steps 1 through 5 in the *Recovery Procedure* on the previous page.

NOTE: Remember to monitor tank weight.

HIGH PRESSURE

If, during the recovery or self-clearing process, the HIGH PRESSURE light comes on, verify all appropriate valves are open. If the valves are open and the light is still on, there is an excessive amount of air or the tank is full. Follow these steps:

1. Press the COMPRESSOR switch to OFF.
2. Close both valves on the refillable tank, and close both valves on the red and blue hoses connected to the tank.
3. Disconnect the red hose and the blue hose from the refillable tank.
4. Replace this tank with an empty refillable tank.
5. Reconnect the hoses as described in the *Setup Instructions*. Then follow the steps in either the *Recovery Procedure* or the *Self-Clearing Procedure*.

If, after completing the above steps, either light is still on, call the Technical Support Line at (800) 822-5561.

Operating Instructions

SELF-CLEARING PROCEDURE

CAUTION! Do not mix refrigerant types. Always perform the self-clearing procedure after each recovery. Beginning each job with a “clean” unit will help eliminate mixing of different refrigerant types.

1. Close the ball valves on the red and blue hoses connected to the A/C-R system. Disconnect these hoses from the system’s access ports.
2. Close the blue LIQUID valve on the tank and the ball valve on the blue TANK LIQUID hose. Disconnect the TANK LIQUID hose from the tank.
3. Verify the red TANK VAPOR hose is still connected to the red VAPOR fitting on the tank. Both the tank’s red VAPOR valve and the ball valve on the red TANK VAPOR hose should be open.
4. Press the switch to SELF-CLEAR. You will hear the compressor start and the switch will illuminate.
5. Let the compressor run until the system pressure gauge reaches the appropriate vacuum level. The system pressure gauge will return to VACUUM. Press the COMPRESSOR switch to OFF. Unplug the unit from the electrical source.
6. Close the red VAPOR valve on the tank and the ball valve on the red TANK VAPOR hose. Disconnect the TANK VAPOR hose from the tank.



WARNING



To prevent personal injury, disconnect hoses using extreme caution. All hoses may contain refrigerant under pressure.

7. While the hoses are still connected to the unit, *slowly* open the ball valve on each hose to relieve any pressure in the hose. Close the ball valves, then disconnect the hoses from the unit.

This unit has been designed for minimal maintenance. The compressor should be evaluated for wear after 2,500 hours of use. Call Robinair's Technical Support Line, (800) 822-5561, for the location of an authorized Robinair service center near you.

REPLACEMENT PARTS

System Pressure Gauge	551196
Tank Pressure Gauge	551197
Switch—Compressor	19813
High Pressure Cut-Out	19720
Ball Valve Hose—60" Red	65360
Ball Valve Hose—60" Blue	65260
Compressor	19652
Indicator Light, Red	111029
Indicator Light, Amber	111030
Fan	109820
Float Chamber	19685
Relay Board	19699
Case Bottom	121840
Case Back	121839
Case Front	121838

CAUTION!

Use only standard soap and water to clean the shroud and/or base. Industrial solvents found in most cleaners and degreasers can cause the plastic to crystallize and become brittle.

Troubleshooting Tips

Compressor does not start

Problem: Compressor circuit breaker has tripped.

Solution: *Depress the circuit breaker switch.*

Problem: HIGH PRESSURE light is ON.

Solution: *The high side pressure switch has tripped; verify the tank and hose ball valves are open. Check tank and verify it is not full.*

Problem: COMPRESSOR switch is not ON.

Solution: *Press the COMPRESSOR switch to ON.*

Compressor runs but does not move refrigerant

Problem: The ball valves on the hoses are not open.

Solution: *Open the ball valves.*

Problem: The tank valves are not open.

Solution: *Open the valves.*

During recovery, unit shuts off on high pressure

Problem: The refillable tank valves are not open.

Solution: *Open the tank valves.*

Problem: Valves on hoses are shut.

Solution: *Open valves.*

Unit will not pull down to appropriate vacuum level

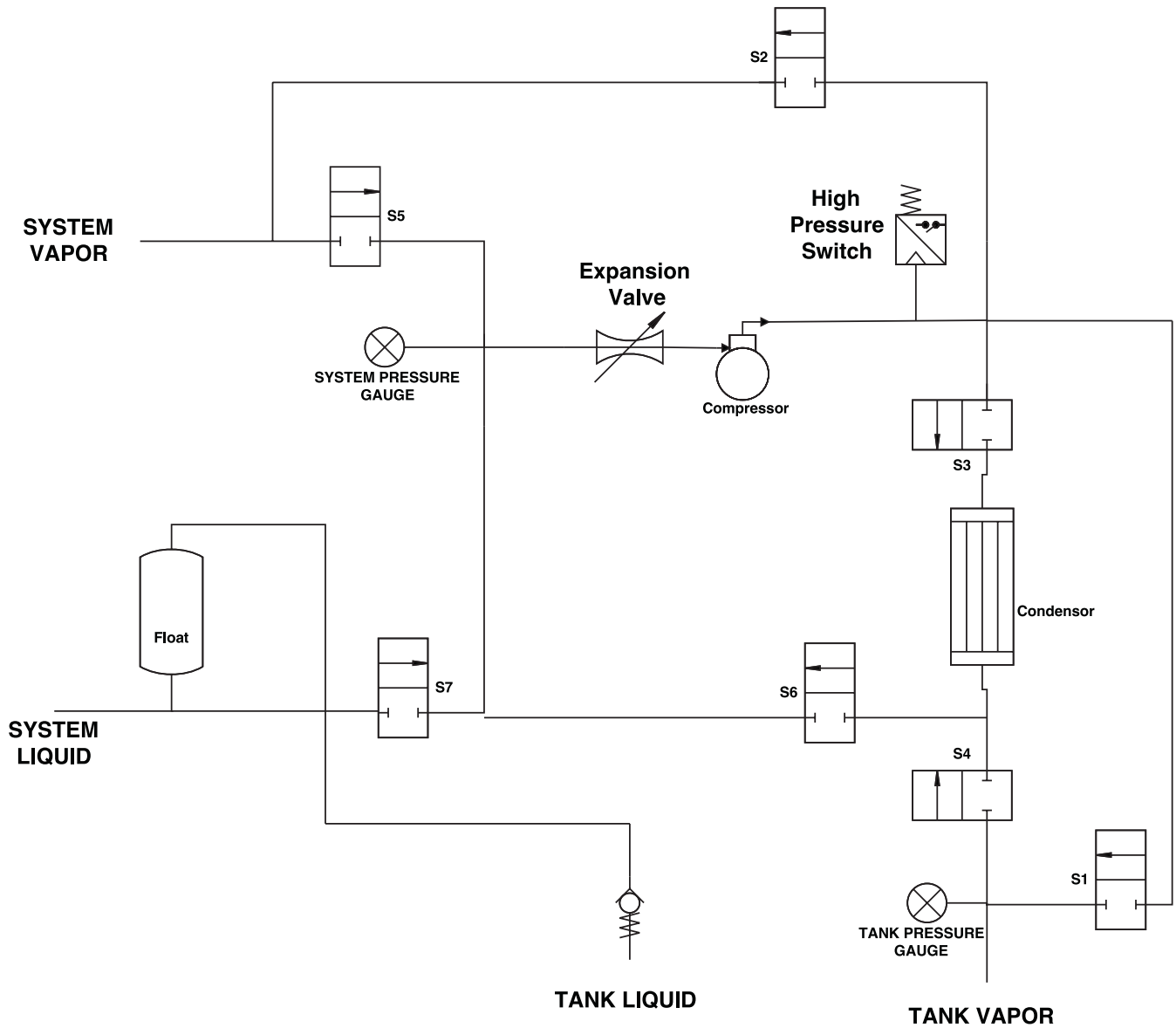
Problem: There is a leak in the A/C system.

Solution: *Fix the leak.*

Problem: Trapped pockets of refrigerant.

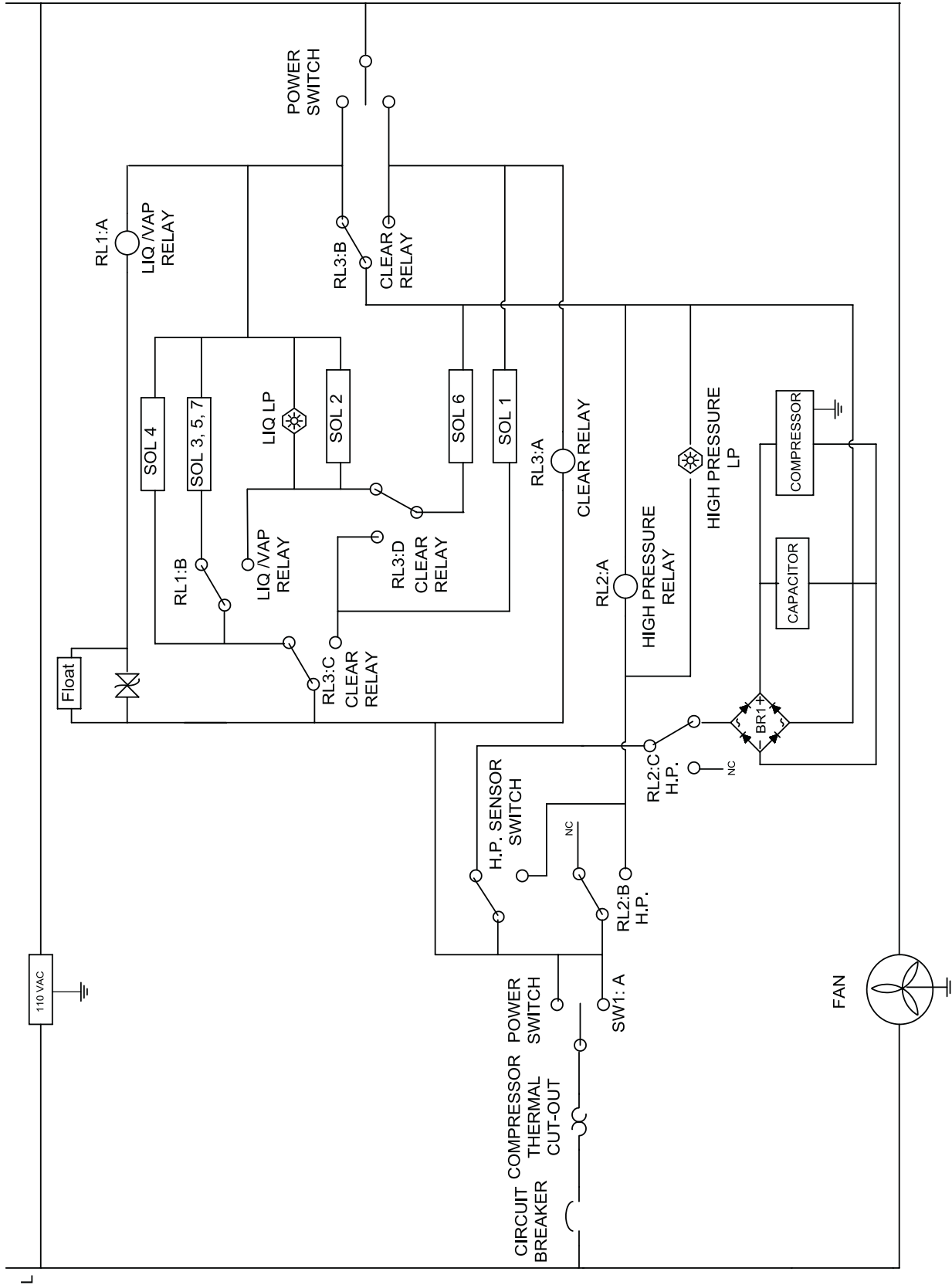
Solution: *Allow system to stabilize then heat with a heat gun.*

Flow Diagram



Wiring Diagram

N



CONVERSION TABLE

OZ.	LBS.
0.5	0.03
1.0	0.06
1.5	0.09
2.0	0.13
2.5	0.16
3.0	0.19
3.5	0.22
4.0	0.25
4.5	0.28
5.0	0.31
5.5	0.34
6.0	0.38
6.5	0.41
7.0	0.44
7.5	0.47
8.0	0.50
8.5	0.53
9.0	0.56
9.5	0.59
10.0	0.63
10.5	0.66
11.0	0.69
11.5	0.72
12.0	0.75
12.5	0.78
13.0	0.81
13.5	0.84
14.0	0.88
14.5	0.91
15.0	0.94
15.5	0.97
16.0	1 lb.

Warranty

Robinair Limited Warranty Statement

Rev. November 1, 2005

This product is warranted to be free from defects in workmanship, materials, and components for a period of one year from date of purchase. All parts and labor required to repair defective products covered under the warranty will be at no charge. The following restrictions apply:

1. The limited warranty applies to the original purchaser only.
2. The warranty applies to the product in normal usage situations only, as described in the Operating Manual. The product must be serviced and maintained as specified.
3. If the product fails, it will be repaired or replaced at the option of the manufacturer.
4. Transportation charges for warranty service will be reimbursed by the factory upon verification of the warranty claim and submission of a freight bill for normal ground service. Approval from the manufacturer must be obtained prior to shipping to an authorized service center.
5. Warranty service claims are subject to authorized inspection for product defect(s).
6. The manufacturer shall not be responsible for any additional costs associated with a product failure including, but not limited to, loss of work time, loss of refrigerant, cross-contamination of refrigerant, and unauthorized shipping and/or labor charges.
7. All warranty service claims must be made within the specified warranty period. Proof-of-purchase date must be supplied to the manufacturer.
8. Use of recovery/recycling equipment with unauthorized refrigerants or sealants will void warranty.
 - Authorized refrigerants are listed on the equipment or are available through the Technical Service Department.
 - The manufacturer prohibits the use of the recovery/recycling equipment on air conditioning (A/C) systems containing leak sealants, either of a seal-swelling or aerobic nature.

This Limited Warranty does NOT apply if:

- The product, or product part, is broken by accident.
- The product is misused, tampered with, or modified.
- The product is used for recovering or recycling any substance other than the specified refrigerant type. This includes, but is not limited to, materials and chemicals used to seal leaks in A/C systems.

**Visit our web site at www.robinair.com or call our toll-free
Technical Support Line at 800-822-5561
in the continental U.S. or Canada.**

In all other locations, contact your local distributor. To help us serve you better, please be prepared to provide the model number, serial number, and date of purchase of your unit. To validate your warranty, complete the warranty card attached to the unit, and return it within ten days from date of purchase.

NATIONWIDE NETWORK OF AUTHORIZED SERVICE CENTERS

If your unit needs repair or replacement parts, contact the service center in your area. For help in locating a service center, call the toll-free technical support line or visit www.robinair.com.

**Visite nuestro sitio web en www.robinair.com o llame sin costo a
la línea de Asistencia técnica al 800-822-5561
en EE.UU. continental o Canadá.**

En todas las demás ubicaciones, comuníquese con su distribuidor local. Para ayudarnos a servirle mejor, tenga a mano el número de modelo, número de serie y fecha de compra de su unidad. Para validar la garantía, complete la tarjeta de garantía anexa a su unidad y envíela dentro de los diez días siguientes a la fecha de compra.

RED NACIONAL DE CENTROS DE SERVICIO AUTORIZADOS

Si su unidad necesita reparaciones o partes de reemplazo, comuníquese con el centro de servicio de su área. Para obtener ayuda para ubicar un centro de servicio, llame sin costo a la línea de asistencia técnica o visite www.robinair.com.

**Visitez notre site Web à www.robinair.com ou appelez sans frais
le soutien technique au 800-822-5561
sur le territoire continental des États-Unis ou au Canada.**

Pour tout autre endroit, contactez votre distributeur local. Afin de nous aider à mieux vous servir, soyez prêt à nous donner le numéro de modèle, le numéro de série et la date d'achat de votre unité. Afin de valider votre garantie, remplissez la carte de garantie jointe à votre système et renvoyez-la dans les dix jours suivant la date d'achat.

RÉSEAU NATIONAL DES CENTRES DE SERVICE AUTORISÉS

Si votre unité doit être réparée ou à besoin de pièces de remplacement, contactez le centre de service de votre région. Pour vous aider à localiser un centre de service, appelez sans frais la ligne de soutien technique ou visitez www.robinair.com.

Due to ongoing product improvements, we reserve the right to change design, specifications, and materials without notice.

Debido a las constantes mejoras del producto, nos reservamos el derecho de cambiar diseño, especificaciones y materiales sin aviso.

En raison des améliorations constantes apportées à nos produits, nous nous réservons le droit de changer de concept, de spécifications et de matériaux sans préavis.



SERVICE SOLUTIONS

655 EISENHOWER DRIVE
OWATONNA, MN 55060-0995 USA

TECH SERVICES	800	822	5561
FAX	412	690	2001
CUSTOMER SERVICE	800	533	6127
FAX	800	322	2890

www.robinair.com