

User manual

Qoopers is a cool app-enabled edutainment robot. By its modularized electronics, sensors and mechanical parts, it can be easily setup within 30 minutes and transformed to more than 15 different varieties like Dozer, Captain Alloy and Scorpoid.

Using your smart devices to program Qoopers to move, light up, make sounds, avoid obstacles, and even perform based on your special program. Kids are immersed in cool robots to learn STEAM knowledge, which empowers kids and students hands-on ability and coding skills to bring their innovative ideas into reality.

Parts list:



Ultrasonic Sensor



LED Matrix 14x10

Box1



Qmind plus



Battery holder

Box2



2xTyre
75x25mm

2xDriving Wheel
56x34.2mm

2xDriven Wheel
56x25mm

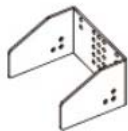
2x520 encoder
motor

Box3



Rectangle Plate 11x15hole U-Bracket 11x4x4hole 2xRectangle Plate 11x3hole 2xAngular Plate 3x2/4x2/3x2hole 2xAngular Plate 7x2/3x2hole 4xTriangle Plate 3x5hole 2xTriangle L Bracket 3x3x3hole

Box4



Large U
shaped bracket

Tail fin bracket

Large front
guard

Small front
guard

Bent guard B

Bent guard A

Small U-shaped
bracket

Fork-shaped
connector



2xTrack
136x30mm

Screwdriver

Wrench

Ball caster

2xSquareBeam
10hole

2xSquare Beam
6hole

Square Beam
2hole

Box5



8xScrew
M4x42mm

8xScrew
M4x30mm

7xScrew
M4x20mm

22xScrew
M4x15mm

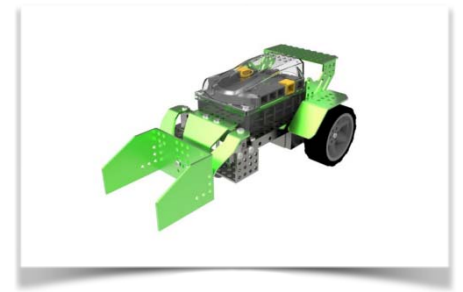
26xScrew
M4x9mm

55x Nut
M4

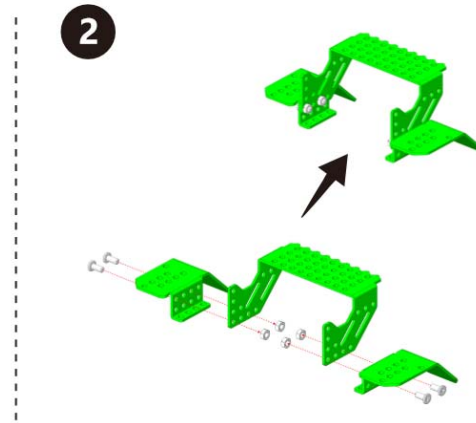
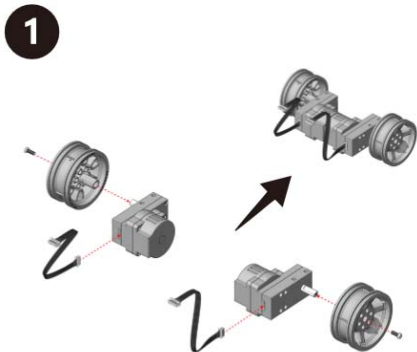
2xLock nut
M4

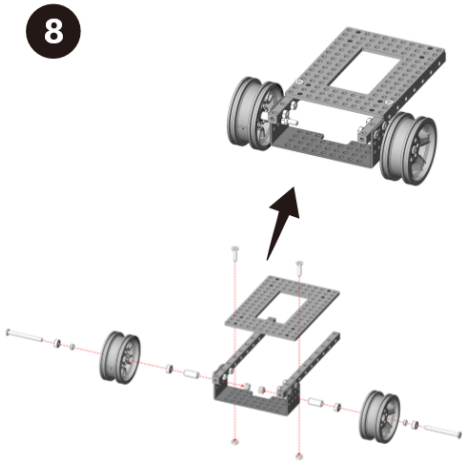
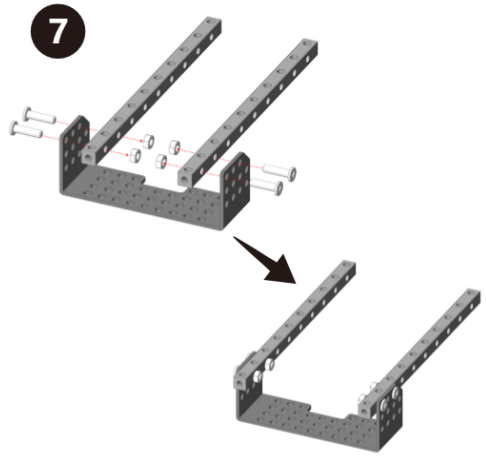
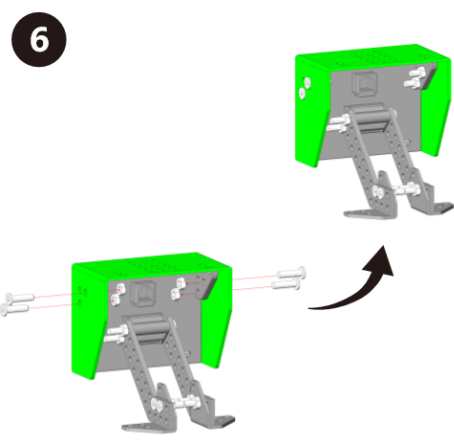
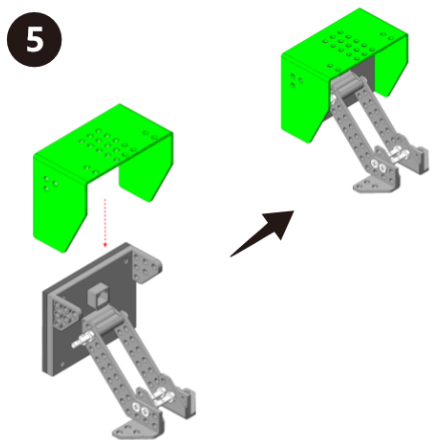
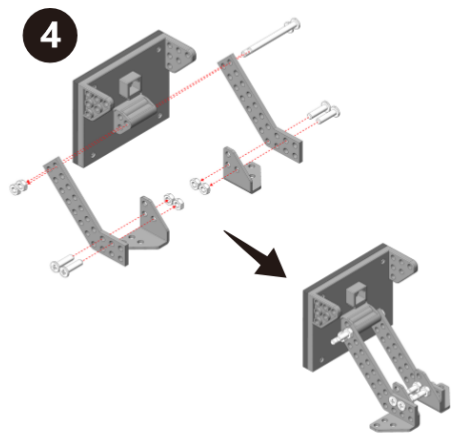
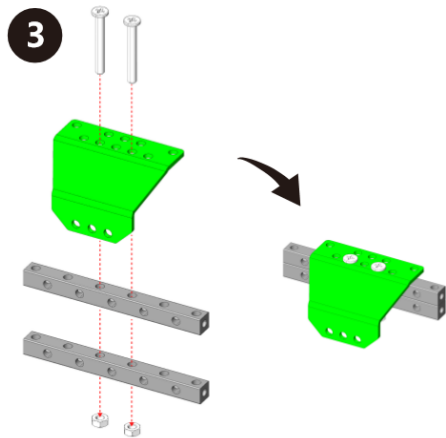
2xScrew
M3x8mm

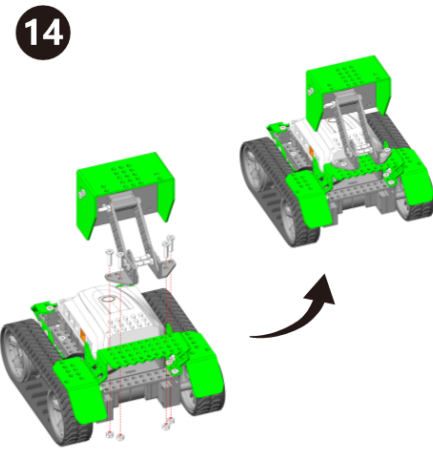
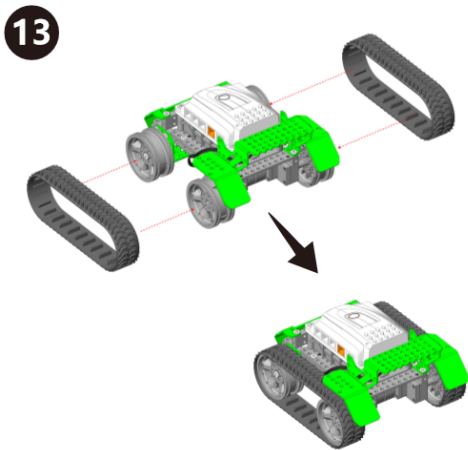
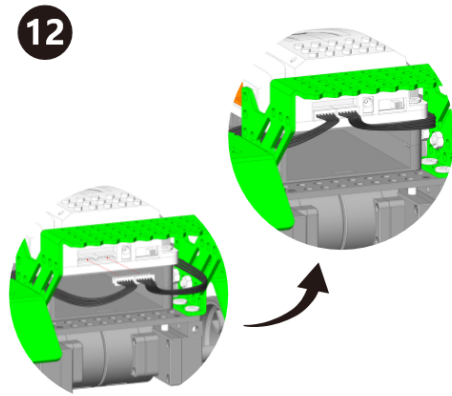
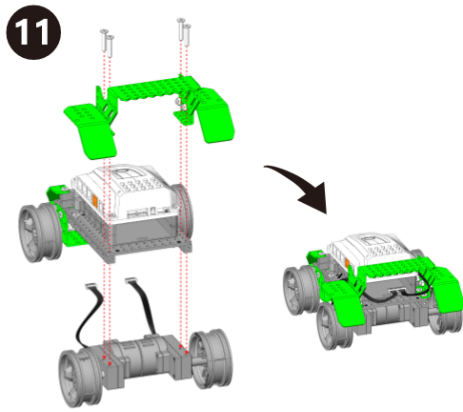
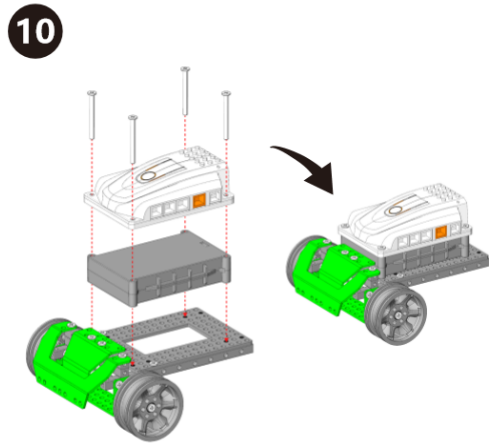
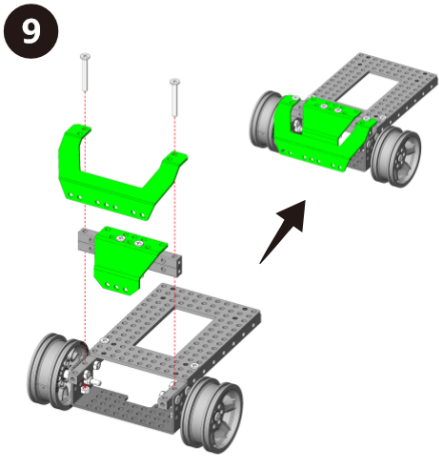
Six different forms

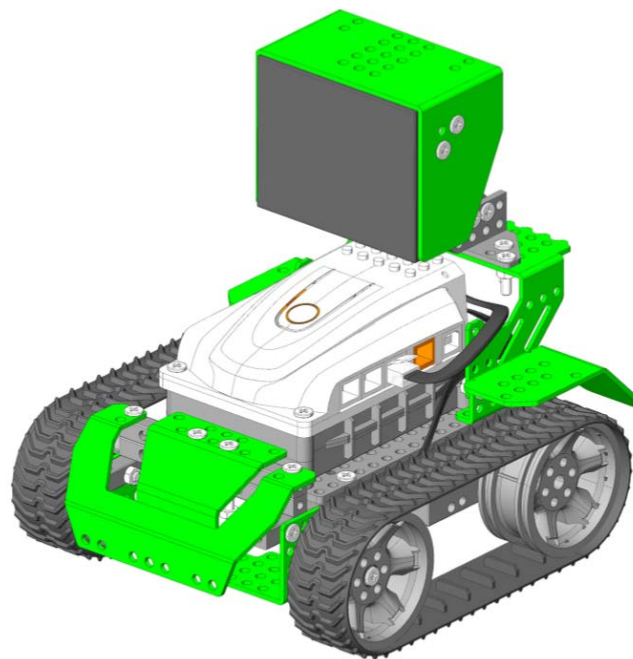
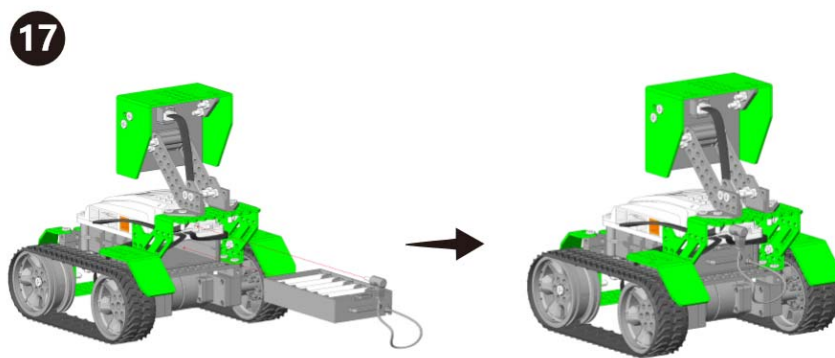
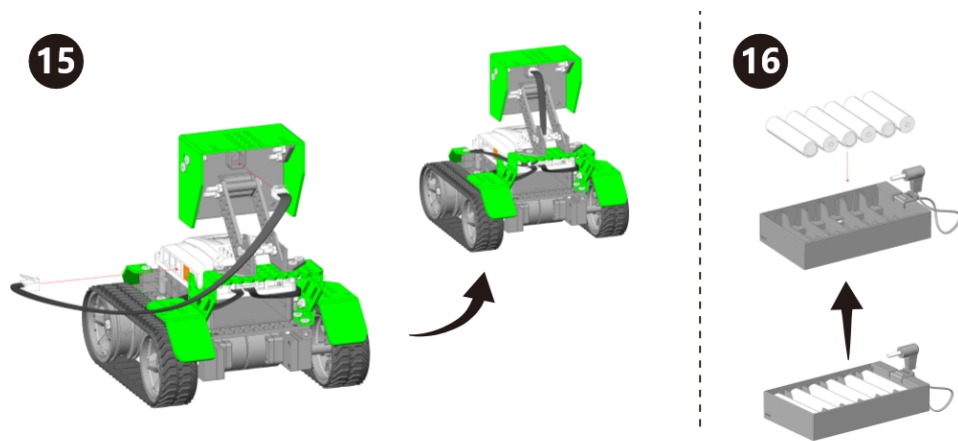


How to Build









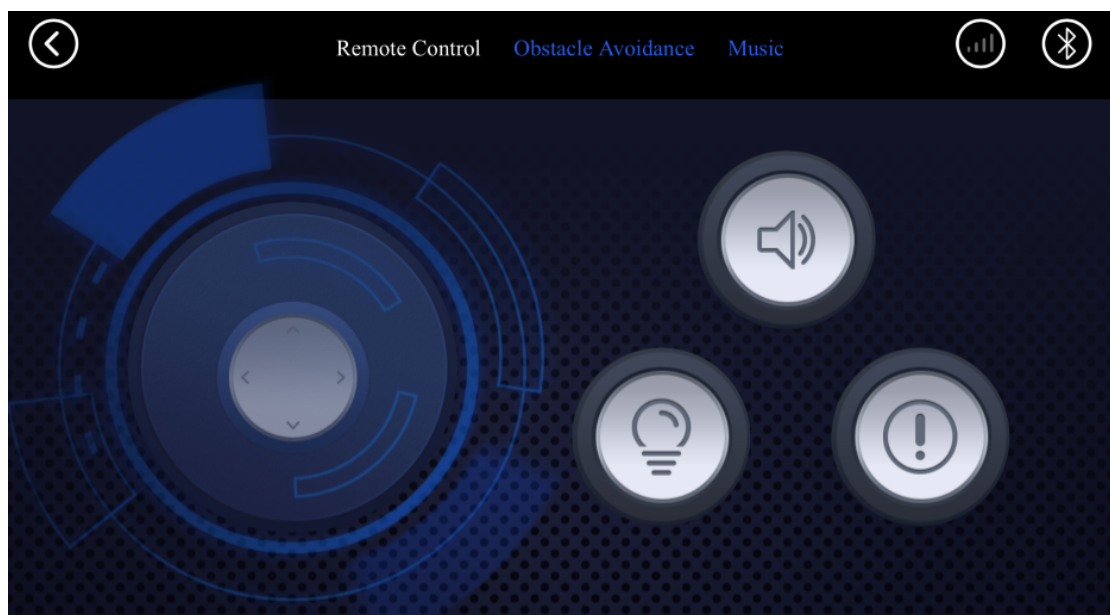
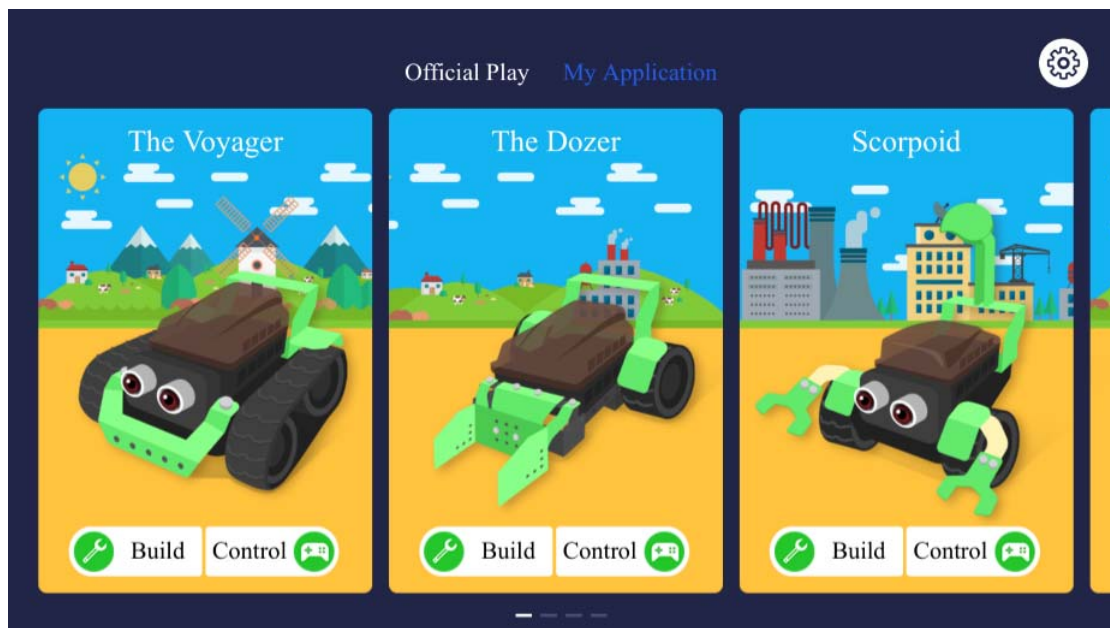
How to use App

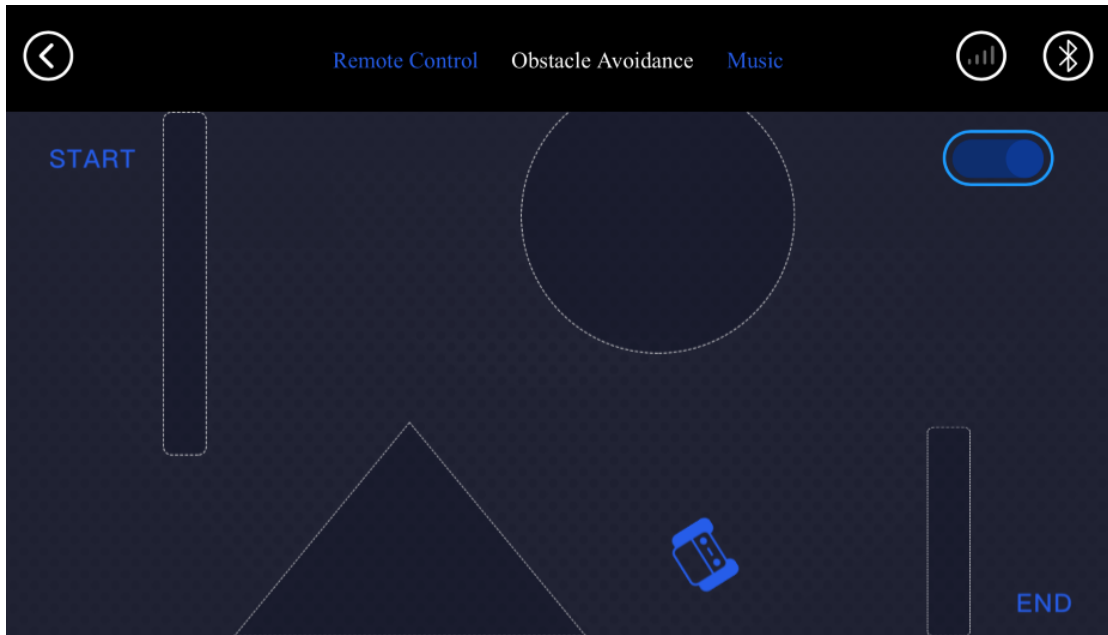
1. Download app. Search robobloq on APP store or Google Play. Then download.

2. Follow instruction in the app, choose one forms you like to build the robot.

3. Turn on the robot and connect the bluetooth.

4. Try different play mode on the app including controlling mode, distance avoid, LED mode, music mode.





5. Try graphical programming in my application. You can build your own actions by graphical programming.



Compliance Information

FCC Compliance Statement

This equipment has been tested and found to comply with the limits for a Class B digital device, pursuant to part 15 of the FCC Rules. These limits are designed to provide reasonable protection against harmful interference in a residential installation. This equipment generates, uses and can radiate radio frequency energy and, if not installed and used in accordance with the instructions, may cause harmful interference to radio communications. However, there is no guarantee that interference will not occur in a particular installation. If this equipment does cause harmful interference to radio or television reception, which can be determined by turning the equipment off and on, the user is encouraged to try to correct the interference by one or more of the following measures:

- Reorient or relocate the receiving antenna.
- Increase the separation between the equipment and receiver.
- Connect the equipment into an outlet on a circuit different from that to which the receiver is connected.
- Consult the dealer or an experienced radio/TV technician for help.

This device complies with part 15 of the FCC Rules. Operation is subject to the following two conditions: (1) This device may not cause harmful interference, and (2) this device must accept any interference received, including interference that may cause undesired operation.

Changes or modifications not expressly approved by the party responsible for compliance could void the user's authority to operate the equipment

The shielded USB Type-B Plug cable must be used with this unit to ensure compliance with the Class B FCC limits.

EU Compliance Statement

1. Simplified EU Declaration of Conformity

The simplified EU declaration of conformity referred to in Article 10(9) shall be provided as follows: Hereby, [RoboBloq Co., Ltd.](#) declares that the radio equipment type [RB-00001](#) is in compliance with Directive 2014/53/EU. The full text of the EU declaration of conformity is available at the following internet address: <http://www.robobloq.com/app/cert>

2. Version Information

Software Version: V1.0

Hardware Version: V1.0

3. Radio Frequency Information

Radio Frequency Information	
Frequency Range:	2400 MHz to 2483.5 MHz
Bluetooth Version:	Bluetooth V4.0 LE
Type of Modulation:	GFSK
Number of Channels:	40
Channel Separation:	2 MHz
Antenna Type:	PCB Antenna
Antenna Gain:	0 dBi
Maximum EIRP:	0 dBm



Manufacturer: RoboBloq Co.,Ltd.

Address: Room 202, 2nd Floor, Building A17, Jiyue City, Nanshan District,
Shenzhen, Guangdong Province, China, 518000

Tel: (86)075526926929