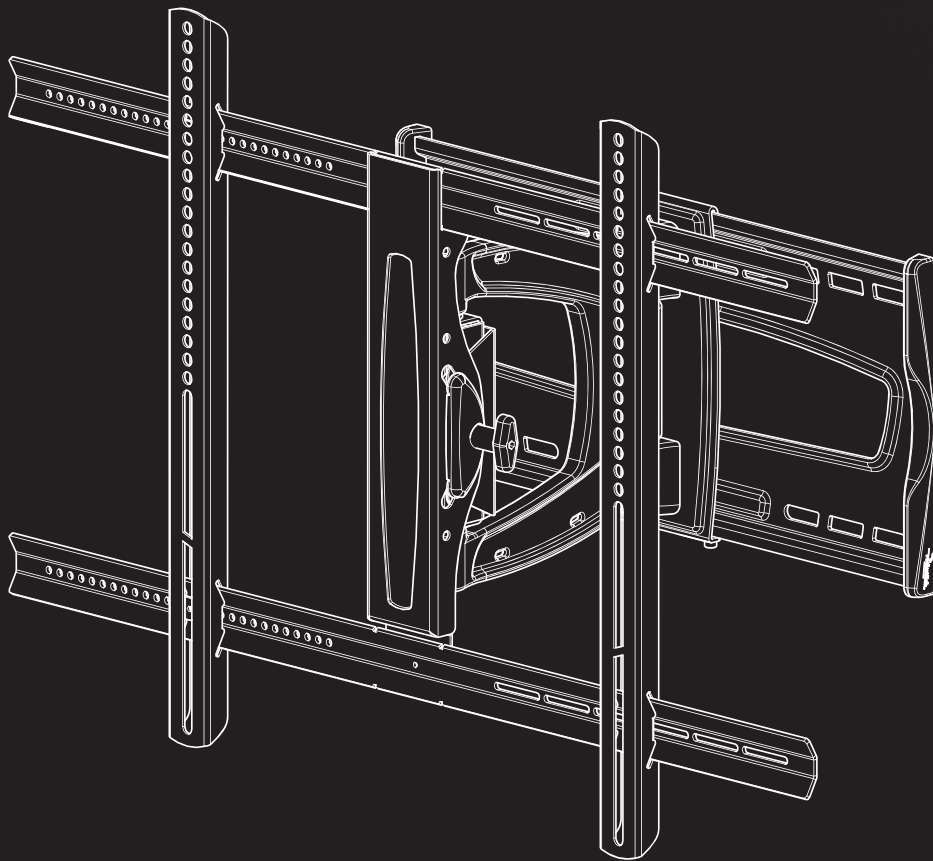




RF-TVMFM03V2

TV Wall Mount



For wood-stud
installation only

Safety information and specifications	2
Tools needed	3
Package contents: parts	4
Package contents: hardware	5
Assembly instructions.....	6

Assembly Guide

Before using your new product, please read these instructions to prevent any damage.

Safety information and specifications



IMPORTANT SAFETY INSTRUCTIONS - SAVE THESE INSTRUCTIONS

CAUTION: Do not use this product for any purpose not explicitly specified by Rocketfish.

Improper installation may cause property damage or personal injury. If you do not understand these directions, or have doubts about the safety of the installation, contact Customer Service or call a qualified contractor. Rocketfish is not responsible for damage or injury caused by incorrect installation or use.

The weight of your TV must not exceed 130 lbs. (58.9 kg). The wall must be capable of supporting five times the weight of your TV and wall mount combined.

This product contains small items that could be a choking hazard if swallowed. Keep these items away from young children!

Maximum TV weight: 130 lbs. (58.9 kg)

Screen size: 40" to 60" diagonal

Overall dimensions (H x W x D):

19.5 x 29.5 x 3 in. (50 x 75 x 7.6 cm)

Wall-mount weight: 17 lbs. (7.7 kg)

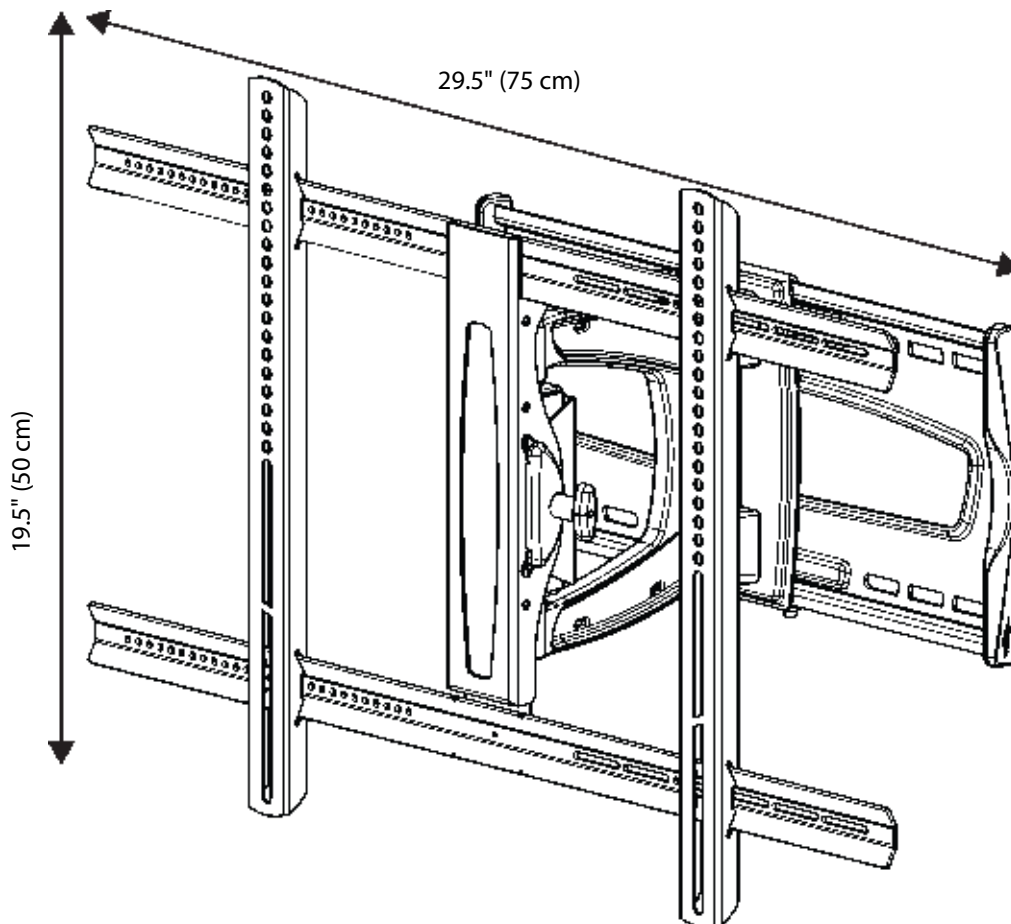
We're here for you

www.rocketfishproducts.com

For customer service, call:

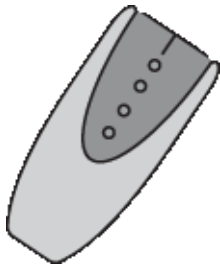
1-800-620-2790 (U.S. and Canada) or

01-800-926-3010 (Mexico)



Tools needed

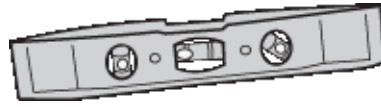
You will need the following tools to assemble your new TV wall mount:



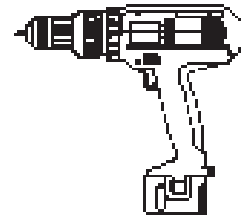
Edge-to-edge
stud finder



Pencil



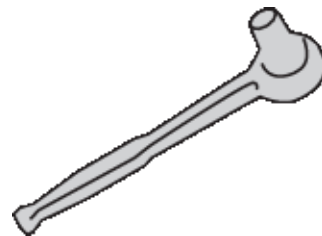
Level



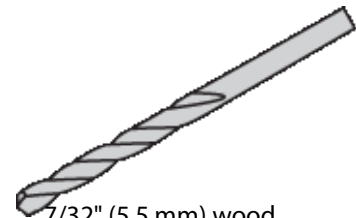
Drill



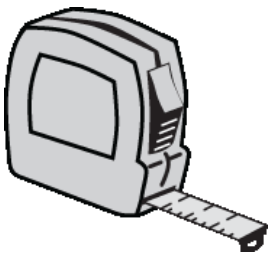
Phillips screwdriver



Socket wrench with
1/2" (13 mm) socket or
adjustable wrench



7/32" (5.5 mm) wood
drill bit for wood stud
wall



Measuring tape

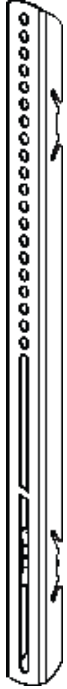


Tape

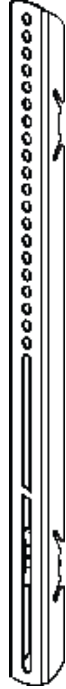
Package contents: parts

Make sure that you have all the parts necessary to assemble your new TV wall mount:

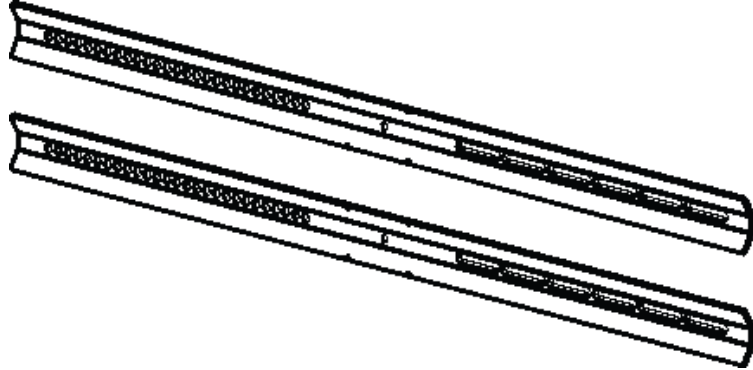
A Right vertical TV bracket (1)



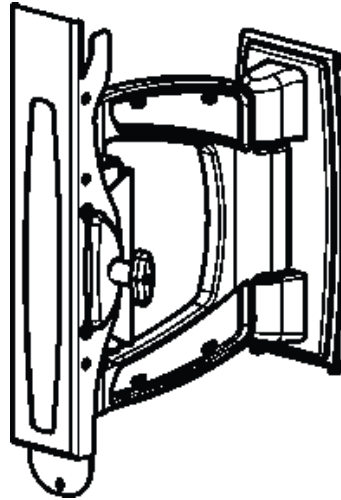
B Left vertical TV bracket (1)



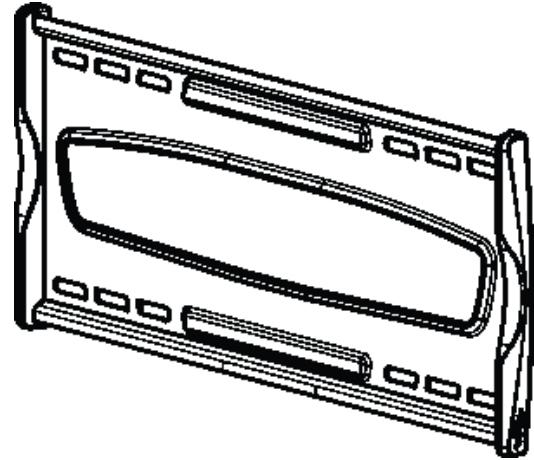
C Horizontal TV bracket (2)



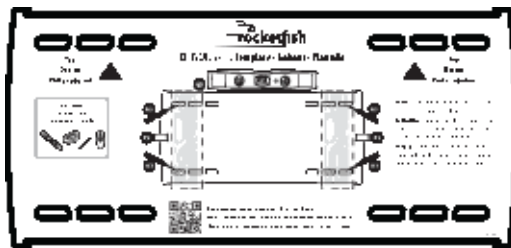
D Arm assembly (1)



E Wall plate (1)



F Template (1)














G Cable cover (1)



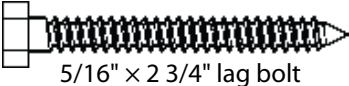


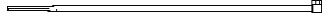
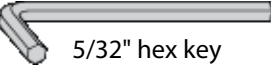
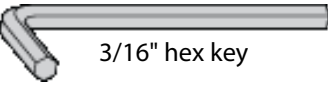



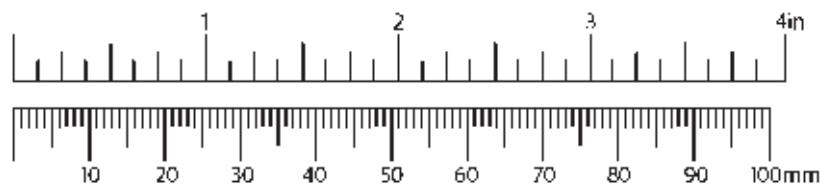
Package contents: hardware

Make sure that you have all the hardware necessary to assemble your new TV wall mount:

TV Hardware Bag

Label	Hardware	Qty.
H	 M4 x 12 mm screw	4
I	 M4 x 35 mm screw	4
J	 M4/M5 washer	4
K	 M6/M8 washers	4
L	 Universal spacers	4
M	 M5 x 12 mm screw	4
N	 M5 x 35 mm screw	4
O	 M6 x 12 mm screw	4
P	 M6 x 35 mm screw	4
Q	 M8 x 16 mm screw	4
R	 M8 x 20 mm screw	4

Label	Hardware	Qty.
S	 M8 x 35 mm screw	4
T	 Lag bolt washer	4
U	 5/16" x 2 3/4" lag bolt	4
V	 8-32 x 9/16" Phillips head screw	4
W	 8-32 x 3/8" Phillips head screw	1
X	 Cable ties (8"/20.5 cm nylon)	5
Y	 5/32" hex key	1
Z	 3/16" hex key	1
Zz	 Cap screw	2

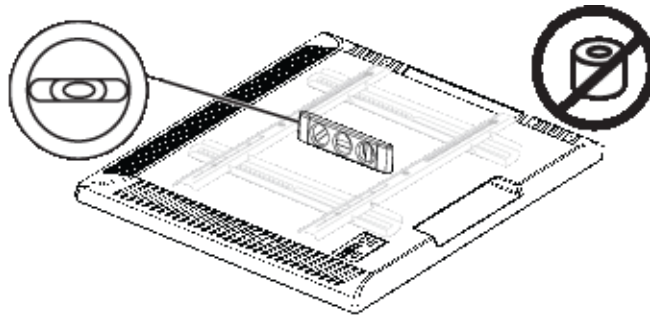


Assembly instructions

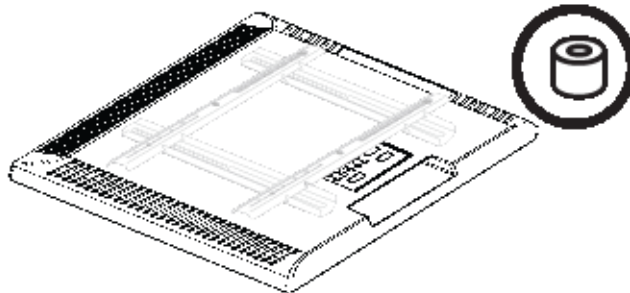
Step 1 Determine whether your TV has a flat back or an irregular or obstructed back

- 1 Carefully place your TV screen face-down on a cushioned, clean surface to protect the screen from damages and scratches.
- 2 If your TV has a table-top stand attached, remove the stand. See the documentation that came with your TV for instructions.
- 3 Temporarily lay the vertical mounting TV brackets (**A** and **B**) on the back of your TV.
- 4 Temporarily slide the horizontal brackets (**C**) through the vertical brackets (**A** and **B**).
- 5 Align the screw holes in the brackets with the mounting screw holes on your TV.
- 6 Position the brackets so they do not extend above or below your TV and do not cover any connectors or jacks. Make note of which bracket screw holes you will use.
 - If the brackets lay flush against the back of your TV and do not block any jacks, your TV has a *flat back* and you do not need spacers.
 - If a bracket blocks any jacks, your TV has an *obstructed back*. In that case, you need spacers.
 - If there is a gap between a bracket and some part of the back of your TV, your TV has an *irregularly-shaped back*. In that case, you need spacers.

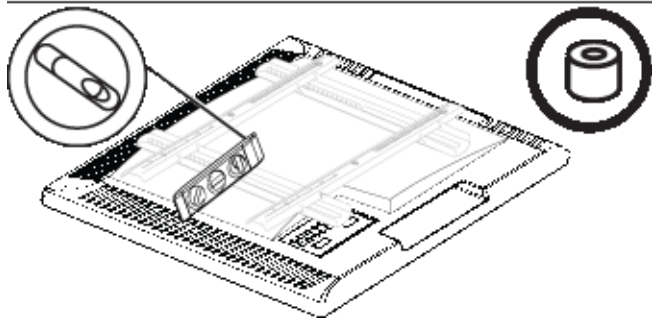
Flat back (no spacers needed)



Obstructed back (spacers needed)



Irregular back (spacers needed)



- 7 Remove the brackets, then separate the horizontal brackets from the vertical brackets.

Step 2 Select screws, washers, and spacers

- 1 Select the hardware for your TV (screws, washers, and spacers). A limited number of TVs come with mounting hardware included. (If there are screws that came with the TV, they are almost always in the holes on the back of the TV.) If you don't know the correct length and diameter of the mounting screws your TV requires, test various sizes by hand threading the screws.

Select one of the following types of screws:

M4 × 12 mm screws (H)	M6 × 12 mm screws (O)
M4 × 35 mm screws (I)	M6 × 35 mm screws (P)
M5 × 12 mm screws (M)	M8 × 16 mm screws (Q)
M5 × 35 mm screws (N)	M8 × 20 mm screws (R)
	M8 × 35 mm screws (S)

Select one of the following types of washers:

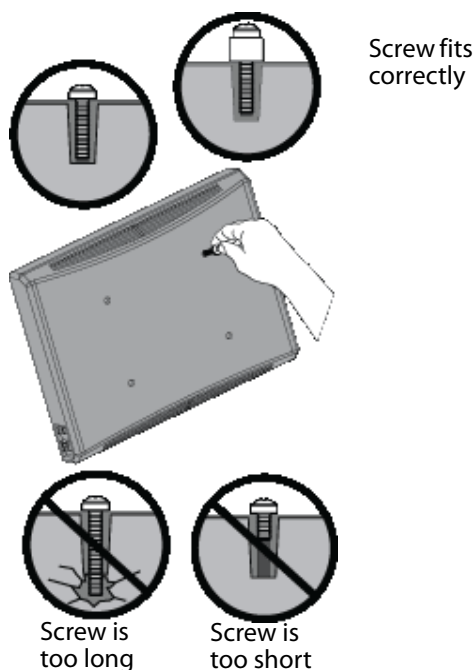
M4/M5 washers (J)	M6/M8 washers (K)
----------------------------	----------------------------

For an irregular or obstructed TV back, use the following spacers:

Universal spacers (**L**)



CAUTION: To avoid potential personal injuries and property damage, make sure that there are adequate threads to secure the brackets to your TV. If you encounter resistance, stop immediately and contact customer service. Use the shortest screw and spacer combination to accommodate your TV. Using hardware that is too long may damage your TV. However, using a screw that is too short may cause your TV to fall from the mount.

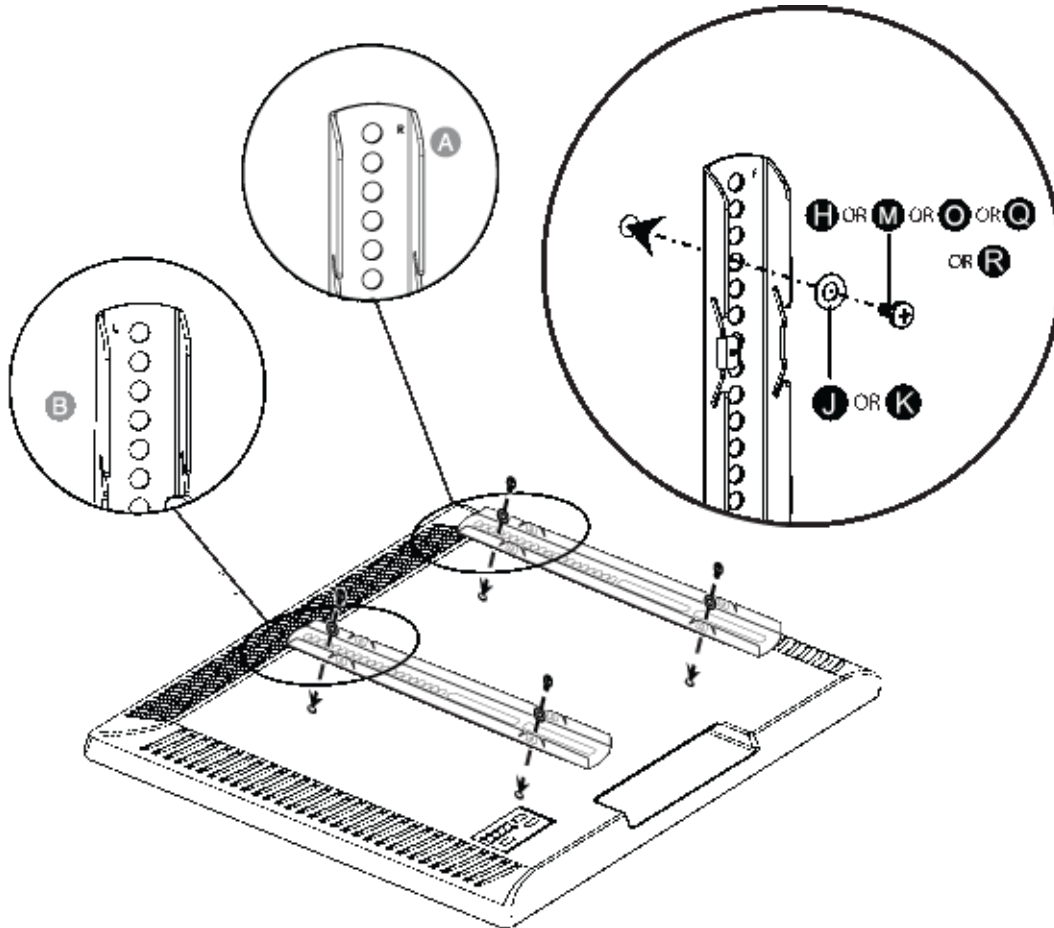


- 2 Remove the screws.
- 3 For a flat back TV, go to "Step 3 - Option 1: Attaching the mounting hardware to TVs with a flat back" on page 8.
-OR-

For an irregular or obstructed back, go to "Step 3 - Option 2: Attaching the hardware to TVs with an irregular or obstructed back" on page 9.

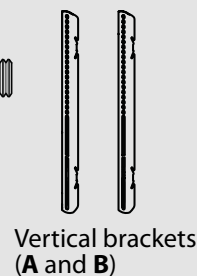
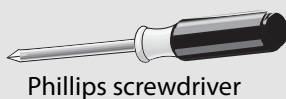
Step 3 - Option 1: Attaching the mounting hardware to TVs with a flat back

- 1 Center the brackets vertically on the back of your TV, then align the holes you noted on the right vertical TV bracket (**A**) and left vertical TV bracket (**B**) with the screw holes on the back of your TV. The brackets are marked "R" for the right bracket and "L" for the left bracket.
- 2 Place the M4/M5 washers (**J**) or M6/M8 washers (**K**) over the holes in the TV brackets that align with the screw holes on the back of your TV, then insert the M4 screws (**H**), M5 screw (**M**), M6 screws (**O**), or M8 screws (**Q** or **R**) through the washers. Make sure that the brackets are level.
- 3 Tighten the screws until they are snug against the TV bracket. Do not over tighten.

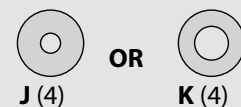


You'll need

Screws

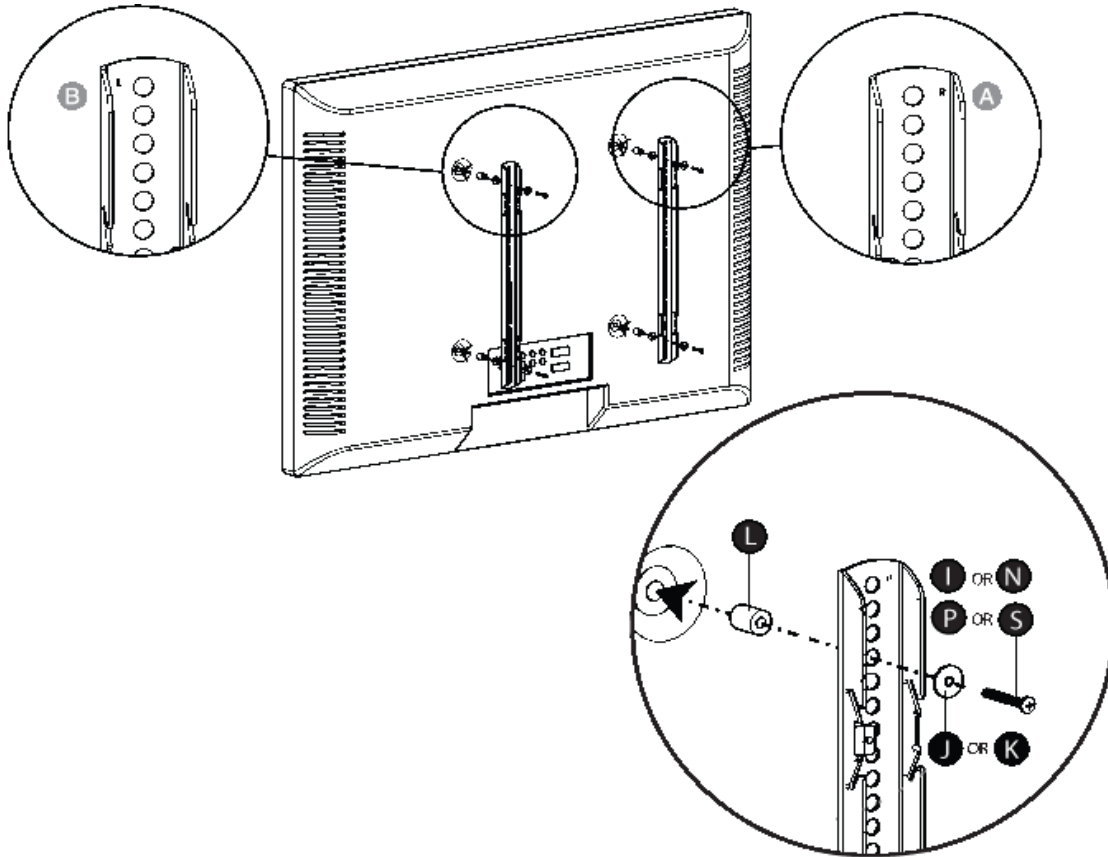


Washers



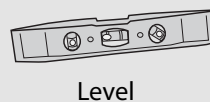
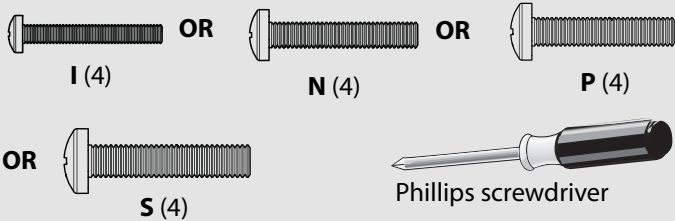
Step 3 - Option 2: Attaching the hardware to TVs with an irregular or obstructed back

- 1 Place the spacers (L) into the screw holes on the back of your TV.
- 2 Align the holes you noted on the right vertical TV bracket (A) and left vertical TV bracket (B) with the spacers and washers on the back of your TV. The brackets are marked "R" for the right bracket and "L" for the left bracket.
- 3 Place the M4/M5 washers (J) or M6/M8 washers (K) over the holes in the TV brackets that align with the screw holes on the back of your TV, then insert the M4 screws (I), M5 screws (N), M6 screws (P), or M8 screws (S) through the washers. Make sure that the brackets are level.
- 4 Tighten the screws until they are snug against the TV bracket. Do not over tighten.

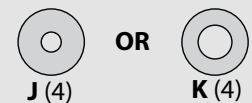


You'll need

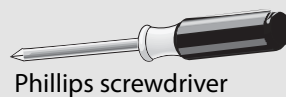
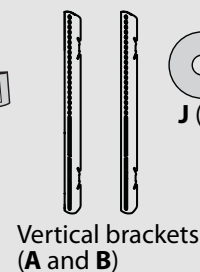
Screws



Washers



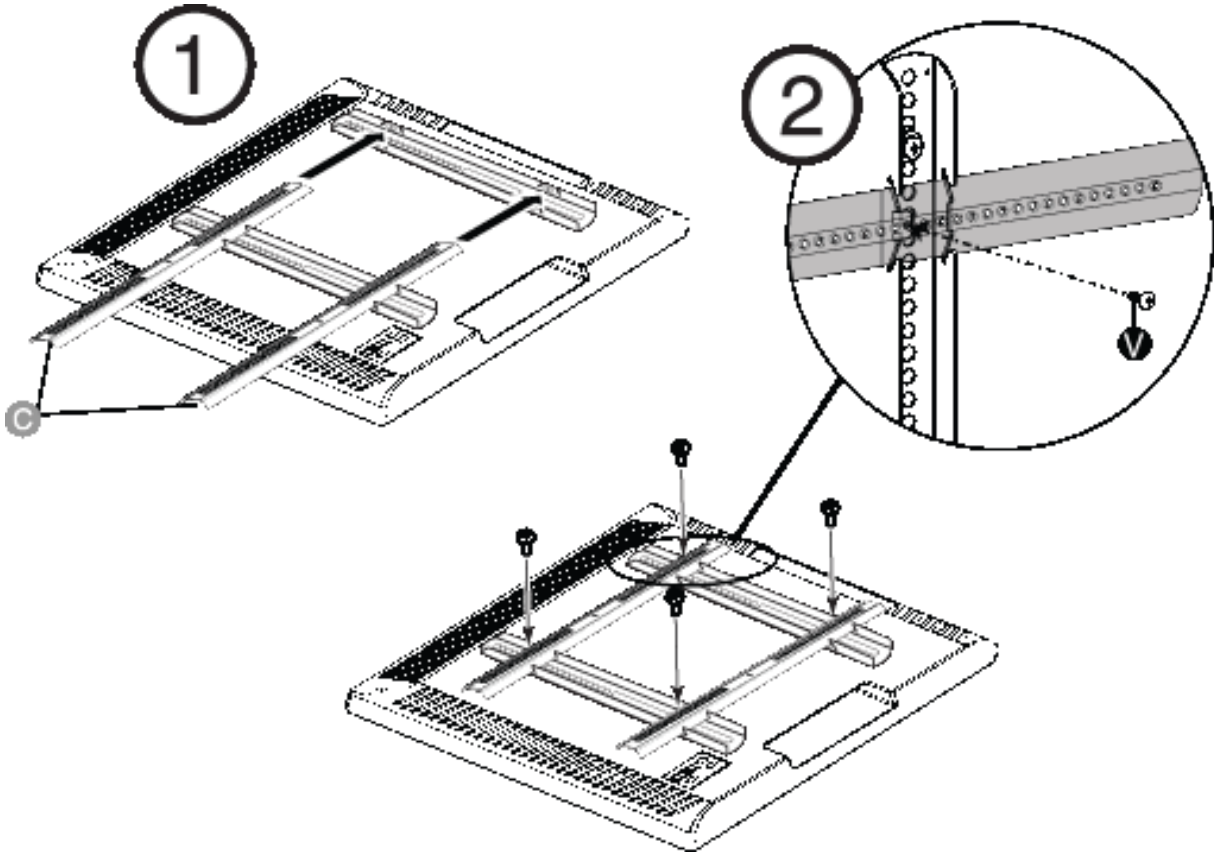
Spacers



Step 4 Install the horizontal TV brackets

- 1 Slide the horizontal brackets (C) through the metal guides on the vertical TV brackets until they are centered.
- 2 Secure the horizontal TV brackets to the vertical TV brackets using the 8-32 x 9/16" Phillips head screws (V). Tighten the screws until they are snug, but do not over tighten.

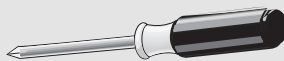
Note: Make sure that the brackets are not covering any jacks or connectors.



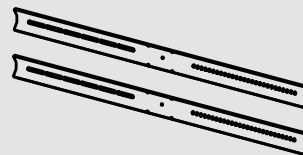
You'll need



V (4)



Phillips screwdriver



Horizontal brackets (C)

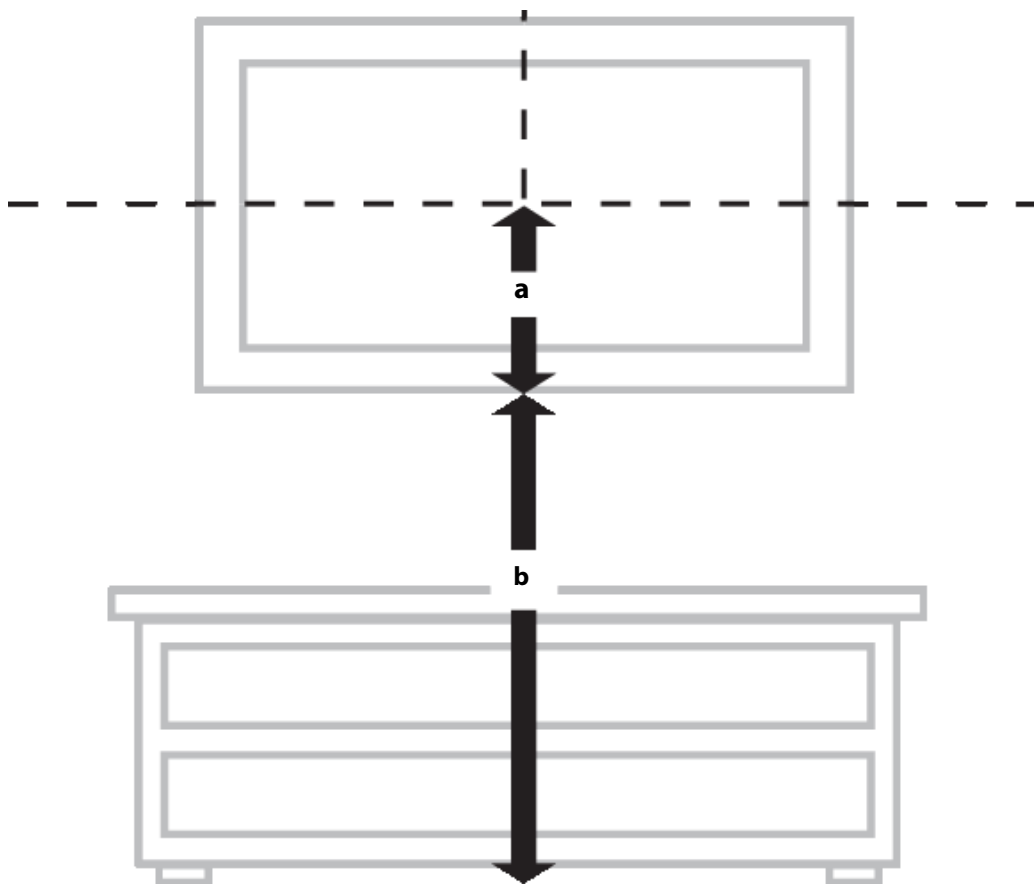
Step 5 Determine wall-mount location

Note:

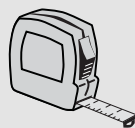
- For more detailed information on determining where to drill your holes, visit our online height-finder at: <http://mf1.bestbuy.selectionassistant.com/index.php/heightfinder>
- Your TV should be high enough so your eyes are level with the middle of the screen. Normally, 40 to 60 inches from the ground.

The center of your TV will match the center of the wall plate (**E**). Before you drill holes in the wall:

- 1 Measure the distance from the bottom of your TV to the middle (half of the height of the TV). This is measurement **a**.
- 2 Measure the distance from the floor to where you want the bottom of the TV to be placed on the wall. Keep in mind that the bottom of the TV should be placed above any furniture (such as entertainment centers or TV stands). The TV should also be above items placed on top of the furniture (like a Blu-ray player or cable box). This measurement is **b**.
- 3 Add **a + b**. The total measurement is the height where you want the center of the arm assembly to be on the wall.
- 4 Use a pencil to mark this spot on the wall.



You'll need



Measuring tape



Pencil

Step 6 Install the wall plate to a wood stud wall

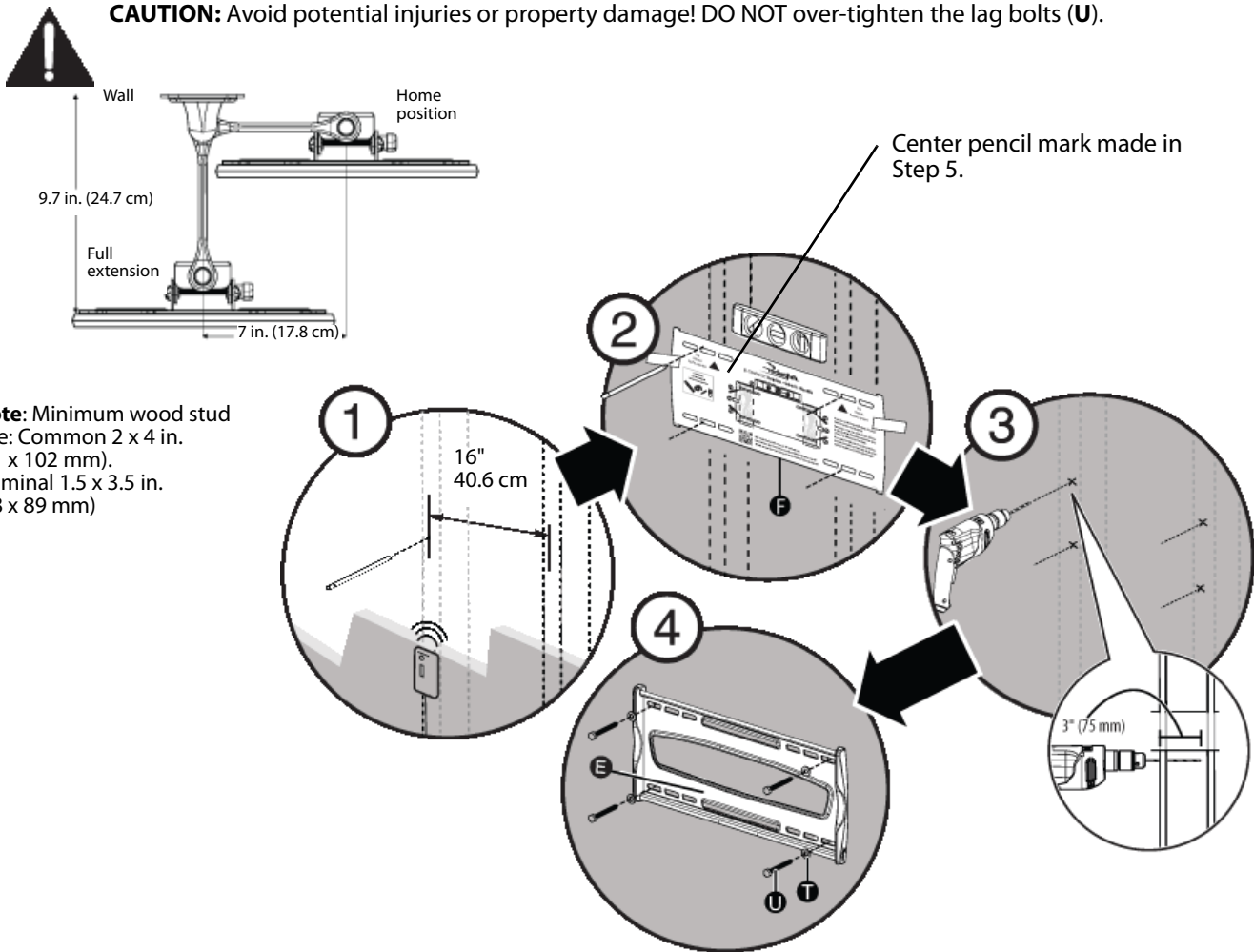
Note: Drywall covering the wall must not exceed 5/8" (16 mm).

- 1 Locate the studs. Verify the centers of the studs with an edge-to-edge stud finder and mark the centers.
- 2 Vertically center the wall plate template (F) at the wall height you determined in the previous step, then align the wall plate template (F) against the wall and make sure that it is level. Tape the wall plate template (F) to the wall, then use a pencil to mark the lag bolt hole locations (4) on the stud centers. Remove the wall plate template (F).

Note: Your TV shifts left or right 7" (17.8 cm) from the home position to full extension.

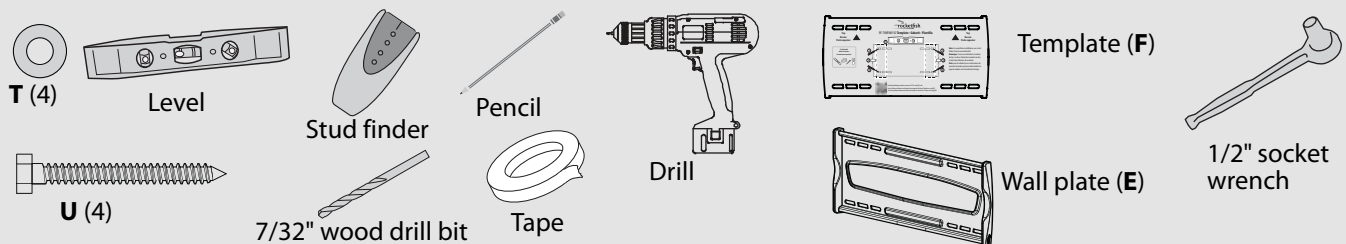
- 3 Drill pilot holes to a depth of 3" using a 7/32" diameter drill bit.
- 4 Align the wall plate (E) with the pilot holes, then place the lag bolt washers (T) over the holes in the wall plate (E). Insert the lag bolts (U) through the washers, then tighten the lag bolts with the socket wrench only until the washers (T) are firm against the wall plate.

CAUTION: Avoid potential injuries or property damage! DO NOT over-tighten the lag bolts (U).



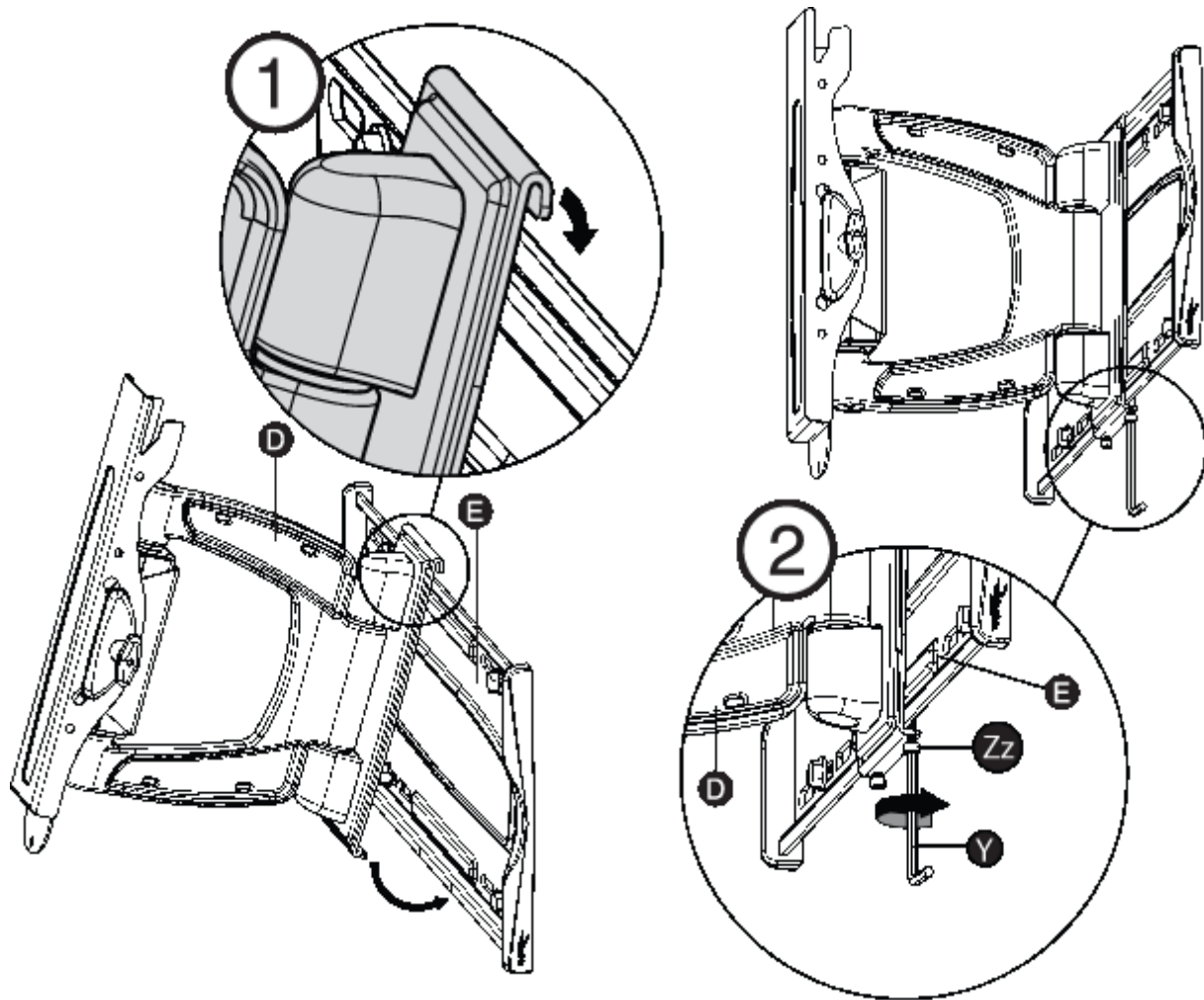
Note: Minimum wood stud size: Common 2 x 4 in. (51 x 102 mm). Nominal 1.5 x 3.5 in. (38 x 89 mm)

You'll need

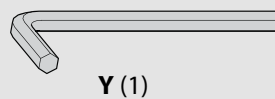
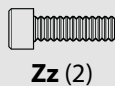
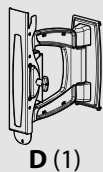


Step 7 Attach the arm assembly

- 1 Hang the upper lip of the arm assembly (D) over the top edge on the wall plate (E), then lower the bottom lip of the arm assembly into the bottom edge on the wall plate.
- 2 Slide the arm assembly left or right on the wall plate to the location where you want the TV to be mounted.
- 3 Secure the arm assembly (D) with the two cap screws (Zz) using the 5/32" hex key (Y). Do not overtighten the screws.

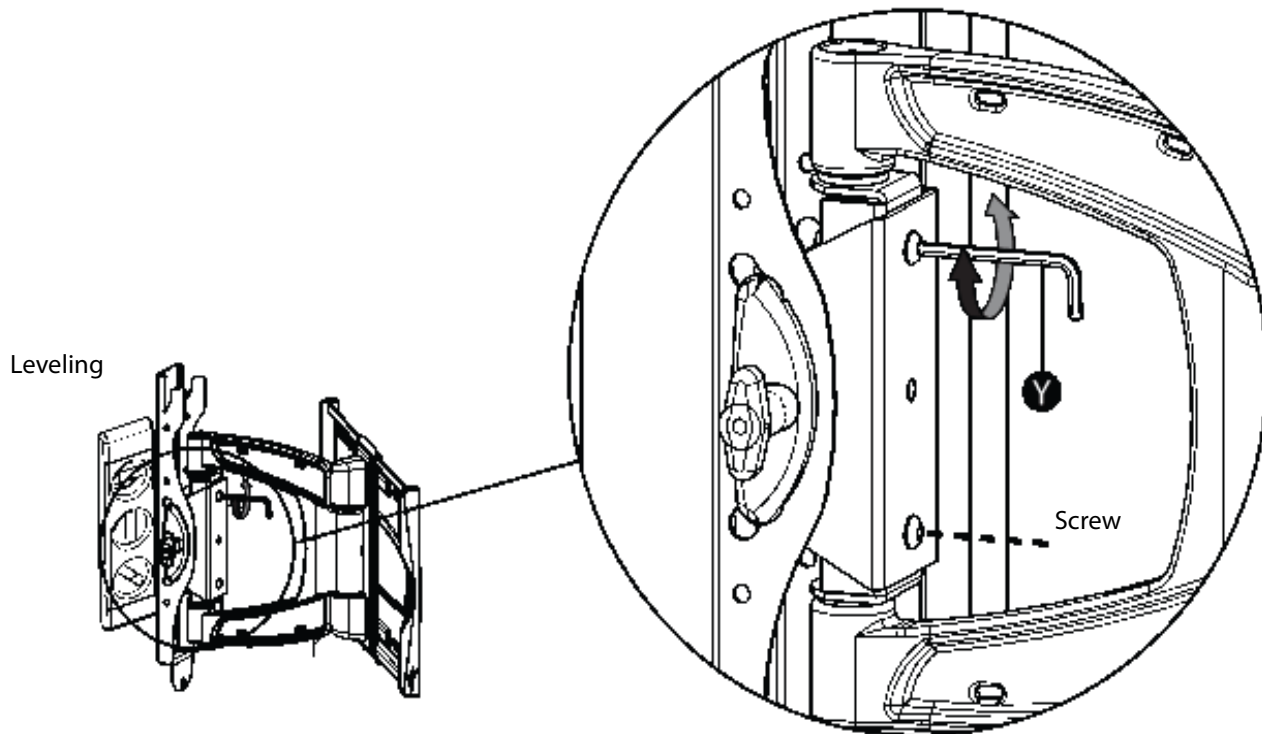


You'll need

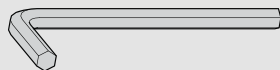


Step 8 Leveling the arm assembly

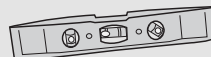
- 1 Loosen the two screws on the arm assembly using the 5/32" hex key (Y).
- 2 Using a level, adjust the arm assembly $\pm 6^\circ$ either clockwise or counter-clockwise to level it.
- 3 Retighten the screws. Do not overtighten.



You'll need



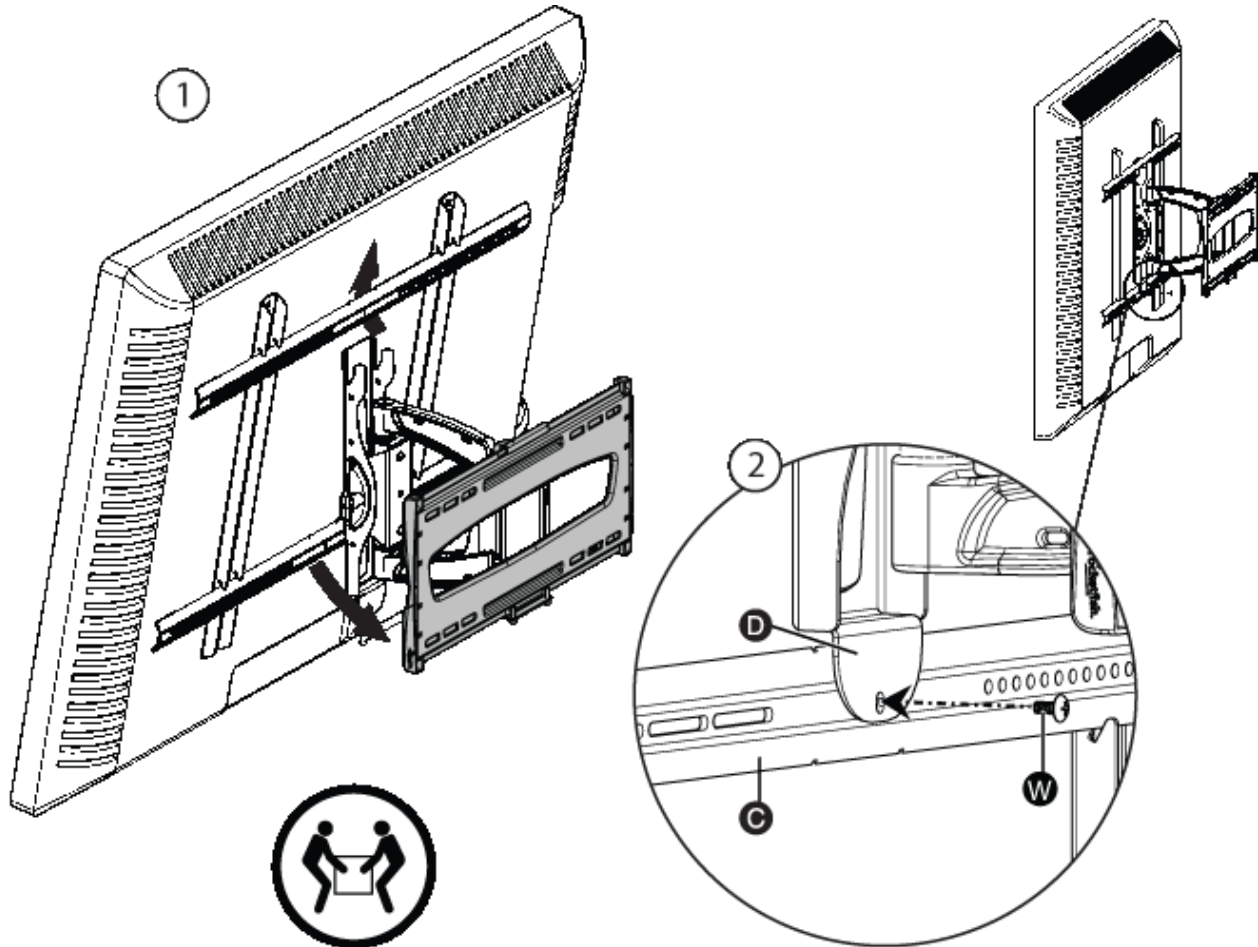
Y (1)



Level

Step 9 Attach your TV to the wall mount

- 1 Slide the top edge of the arm assembly under the upper horizontal bracket.
- 2 Pivot the TV/bracket assembly down to align it with the bottom edge of the arm assembly (D).
- 3 Align the center hole in the lower horizontal bracket (C) with the hole in the face of the arm assembly (D) and secure your TV with the bracket screw (W). Do not overtighten the screw.

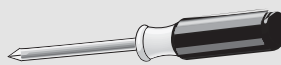


HEAVY! You will need assistance with this step.

You'll need



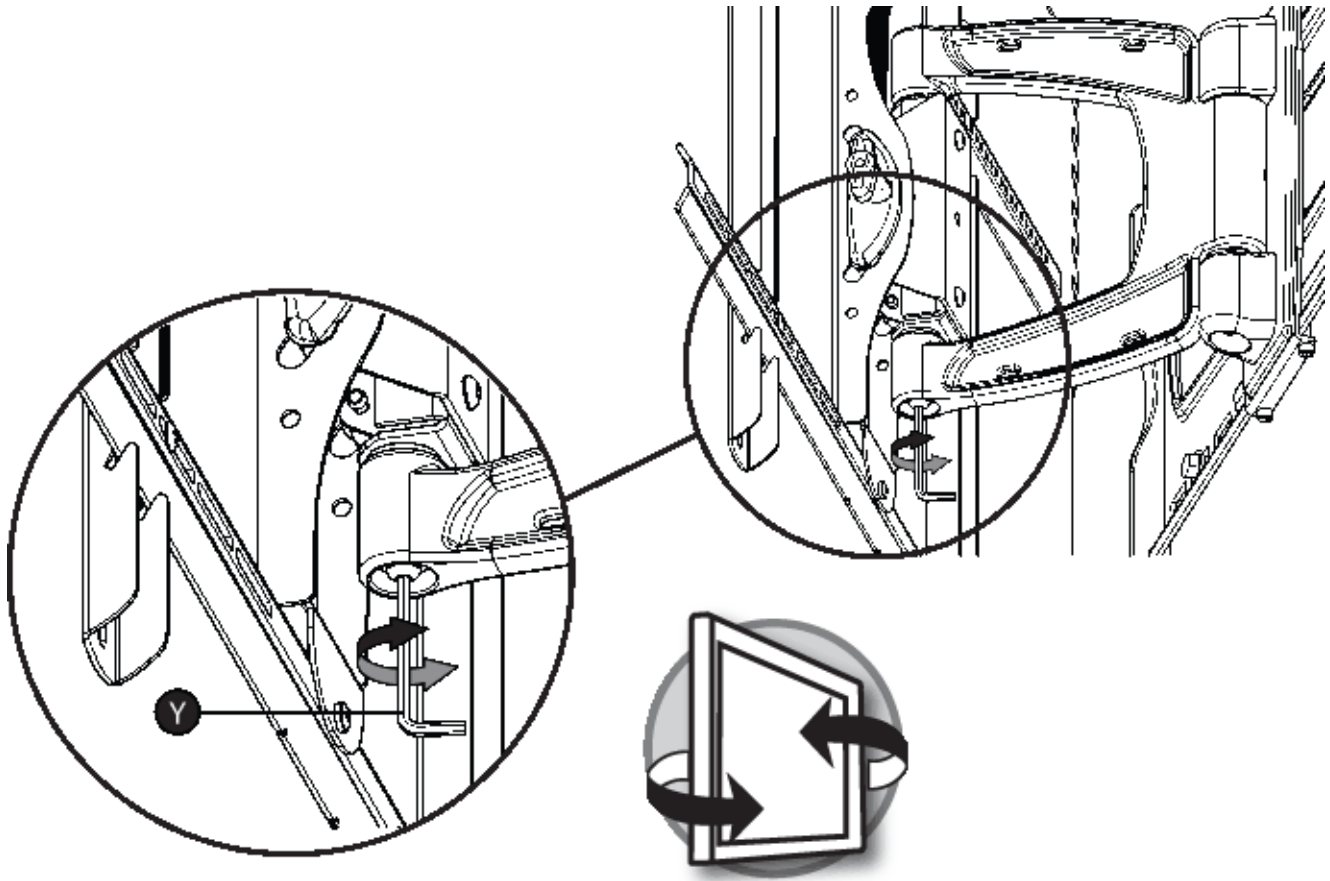
W (1)



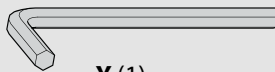
Phillips screwdriver

Step 10 Adjusting the swivel tension

Adjust the swivel tension using the 5/32" hex key (Y). When you are done adjusting the swivel, tighten the screw, but do not overtighten.



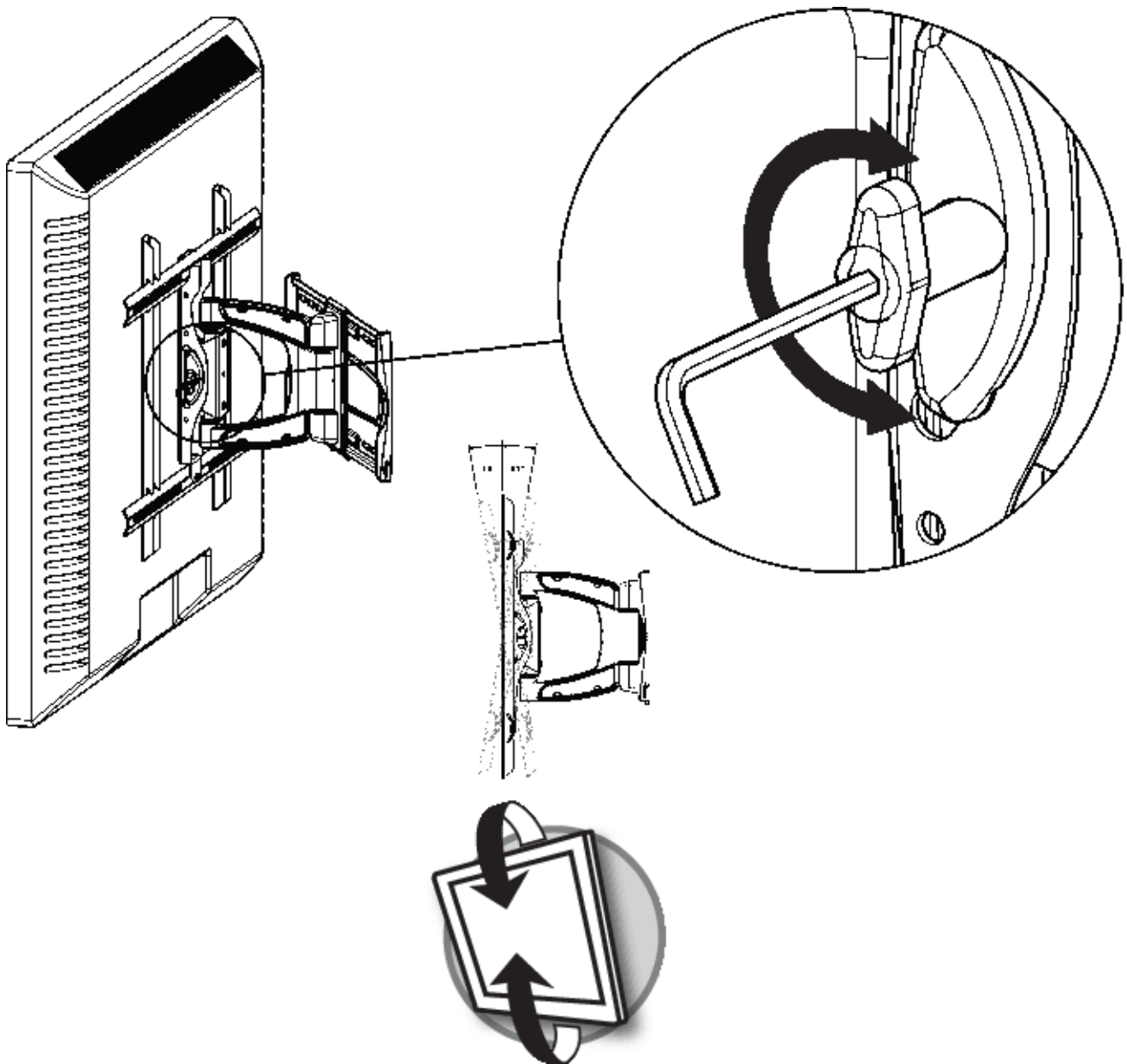
You'll need



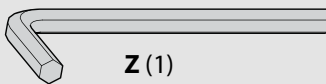
Y (1)

Step 11 Adjusting the forward or backward tilt

Adjust the tilt of your TV forward or backward 11° using your fingers or a 3/16" hex key (Z). When you are done adjusting the tilt tension, retighten the knob, but do not overtighten.



You'll need

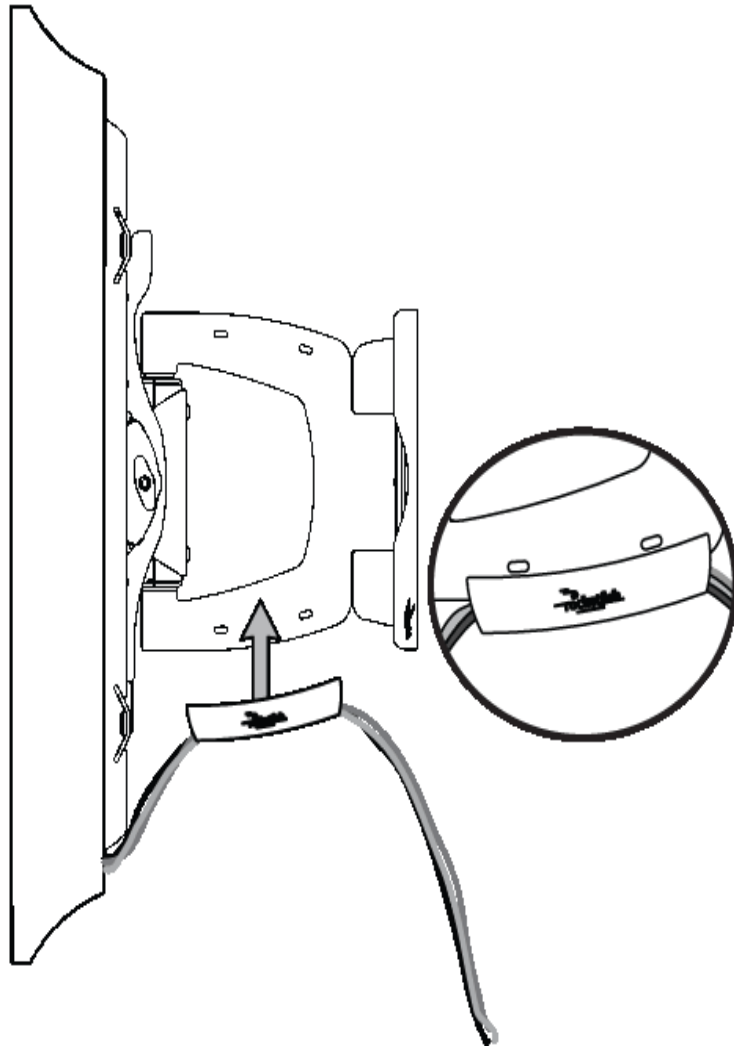


Z (1)

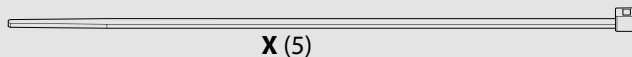
Step 12 Managing cables

- Use the cable cover (**G**) to bundle the cables together, then attach to the arm assembly (**D**).
OR
- Use cable ties (**X**) to secure the cables to the arm assembly (**D**).

Note: You may have to readjust the forward or backward tilt after you bundle the cables.



You'll need



X (5)



G (1)

For customer service, call: 1-800-620-2790 (U.S. and Canada) or 01-800-926-3010 (Mexico)



www.rocketfishproducts.com 1-800-620-2790 (U.S. and Canada) or 01-800-926-3010 (Mexico)

Distributed by Best Buy Purchasing, LLC

7601 Penn Avenue South, Richfield, MN 55423-3645 USA

© 2013 BBY Solutions, Inc.

All rights reserved. ROCKETFISH is a trademark of BBY Solutions, Inc.

All other products and brand names are trademarks of their respective owners.

Part number: 6907-002044 01