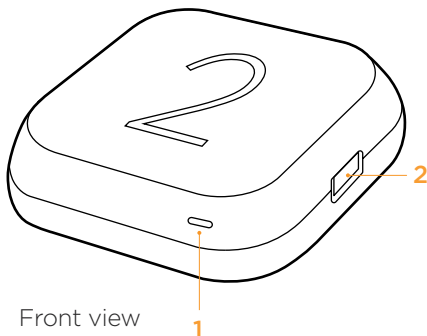


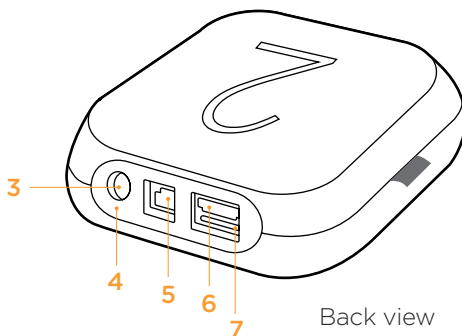
Hi! Let's get you started.

Roku 2

Get to know your Roku 2



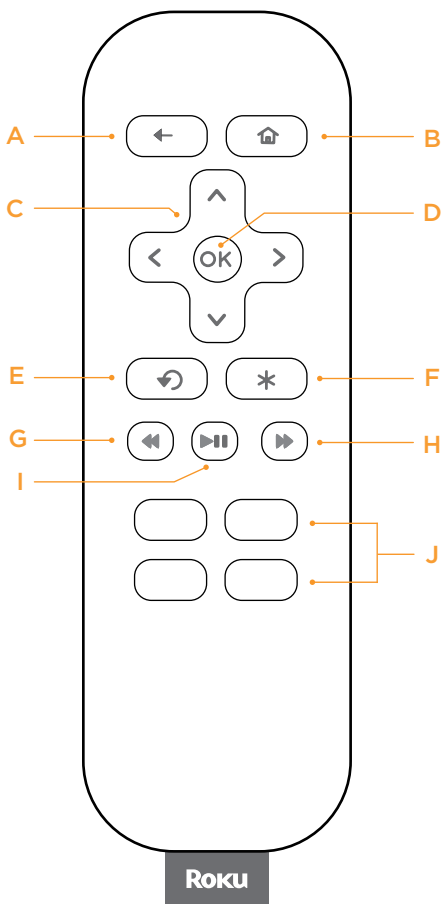
Front view



Back view

- 1 Status light** - Flashes slowly when the Roku player starts up. Glows when it's on. Flashes once with each press of the remote control.
- 2 USB port** - Connect a compatible USB device for browsing photos, music and movies.
- 3 Power port** - Connect your player to the power source with the included power cable.
- 4 Reset Button** - Reset your Roku player (you probably won't ever have to use this)
- 5 Ethernet port** - Connect your Roku player to a wired network with an Ethernet cable (not included).
- 6 HDMI port** - Connect your player to an HDTV with an HDMI cable (not included).
- 7 Storage expansion slot** - Connect a microSD card (not included) to expand internal storage for channels and games.

Get to know your **Remote**

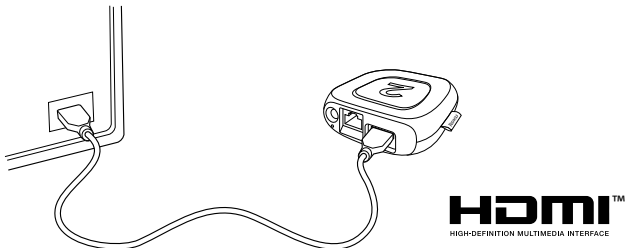


- A** **[BACK]** Return to previous screen
- B** **[HOME]** Return to Roku home screen
- C** **[UP]** or **[DOWN]** Move up or down; **[LEFT]** or **[RIGHT]** Move left or right
- D** **[OK]** Select an option from a menu
- E** **[INSTANT REPLAY]** Replay last 7 seconds of video
- F** **[OPTIONS]** View more options
- G** **[REV SCAN]** Rewind, scroll left one page at a time
- H** **[FWD SCAN]** Fast forward, scroll right one page at a time
- I** **[PLAY/PAUSE]** Start or pause playback
- J** **[CHANNEL SHORTCUT]** Instant access to favorite channels

What to do **Step 1**

Connect your player

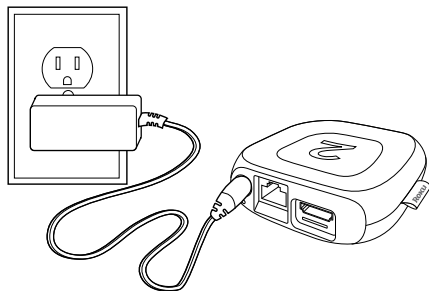
Connect your Roku player to your HDTV with the HDMI cable.



What to do **Step 2**

Next, connect your included power adapter to your Roku player, and then plug the adapter into an outlet.

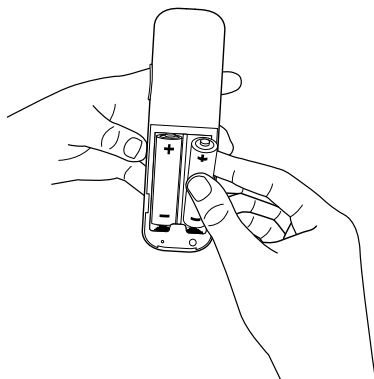
Finally, power on your TV and look for a Roku message to fill the screen.



What to do **Step 3**

Power up your remote

- Power your Roku remote by inserting the included batteries.
- Insert each battery, negative (-) side first, pushing it into the coil and then into the compartment. **DO NOT** insert batteries positive (+) side first. Place the battery door back over the compartment and press it gently down until the latch snaps securely into place.



Never use damaged batteries. If your remote gets warm/hot during use, discontinue use and contact Roku Customer Support immediately at <http://support.roku.com>.

What to do **Step 4**

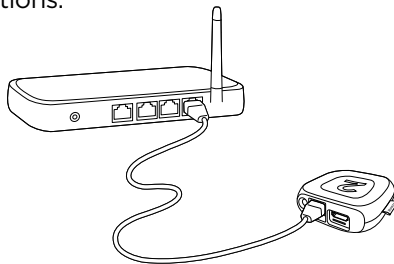
Connect to your network

Step 4 establishes your network connection. You can do it! Just choose either wireless or wired and read on for instructions:

Wireless: If you use a wireless network, grab that Roku remote and jump right into Guided Setup. When prompted, select “Wireless” as your network connection and have your network name and password ready. Then:

- Select your network from the list of available networks.
- Enter your network password, if you use one. Remember that network passwords are case sensitive.

Wired: If you use a wired network, this step is a snap. Simply connect the Ethernet port on the back of your Roku player to the back of your router with an Ethernet cable (not included), and then use your Roku remote to select “Wired” from the on-screen network options.



- Connect one end to the Ethernet port on the back of your Roku player.
- Connect the other end to an open Ethernet port on your router.

What to do **Step 5**

Complete guided setup

It's the final stretch. Continue following the on-screen instructions and you'll:

- Get the latest software.
- Link the Roku player to your Roku account on your computer.
 - During Guided Setup, you'll be prompted to create your Roku account online at <http://roku.com/link>
 - Your Roku player will generate a unique code that links your player to your new account.

Setup is done. Congratulations! Continue using your Roku remote to personalize your channel line-up, stream movies or play games. The fun has just begun, we promise.



Your Roku account: Roku accounts are free. And while a valid credit card number is required to create your account, rest assured you will only be charged if you authorize purchases of channels and games from the Roku Channel Store.

Get the most out of your **Roku player**



Choose & Personalize

Your homescreen is yours to personalize. Select your favorite channels from over 2000 choices* in the Roku Channel store. Then, arrange the channels in the order that's best for you.



Search

Find what you want to watch by searching across top streaming channels. Then, choose the best option or value. Follow movies, actors, TV shows & episodes, to get updates when your favorites are ready to watch.



Control with Ease

Both our simple remote and our mobile app let you navigate with ease. Here's a hint: Try the star button on any screen or channel to access an options menu.



Cast Media

Cast and mirror videos, music, photos, and more from your mobile devices** to your TV. Use the Roku app, Netflix and YouTube apps, or built in screen mirroring capabilities.

*Subscription or other payment may be required to access certain content. Channel availability subject to change.

**Applies to select iOS®, Android™ and Windows® devices only.

For more information, please visit <http://support.roku.com>.

Troubleshooting

Having trouble completing Guided Setup? Don't worry. It's usually an easy fix. For detailed trouble-shooting, visit <http://support.roku.com>.

If you cannot see a picture on your TV:

- If you are using HDMI with a home theater receiver, make sure the HDMI cable from your Roku player is connected to an HDMI-in port on your receiver and your receiver is connected to your TV via an HDMI input.
- Make sure the video input on your TV or home theater receiver is set to match the output used with the Roku player. Most TVs have an Input button on the remote control to change video inputs.

If you cannot connect to your wireless home network during guided setup:

- If you are not getting 3 or more signal-strength bars above your wireless network, adjust the location of your Roku player and/or wireless router.
- Try to avoid obstructions, like cement walls, between your Roku player and your wireless router.
- If you have turned off SSID broadcasting on your wireless router, you can add your network by selecting "My network is not shown" from the "Select wireless network" screen.



Dos and don'ts on where to place your Roku player:

- DO place your player within range of your wireless network.
- DON'T place your player in an enclosed cabinet; it may interfere with the wireless signal.
- DON'T place anything on top of your player; it may cause the player to overheat. Eeeeks.

Need more **help?**

Visit: <http://support.roku.com>

Get the most out of your Roku player.

Check out our FAQs, instructional videos and user forums.

ROKU[®]

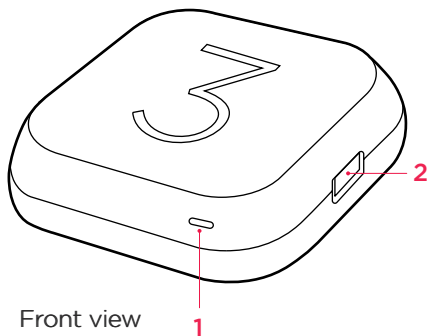


© 2015 Roku, Inc. All rights reserved. Roku[®] and Happy Streaming[™] are the trademarks of Roku, Inc.
All other logos and trademarks herein not owned by Roku, Inc. are the property of their respective owners.

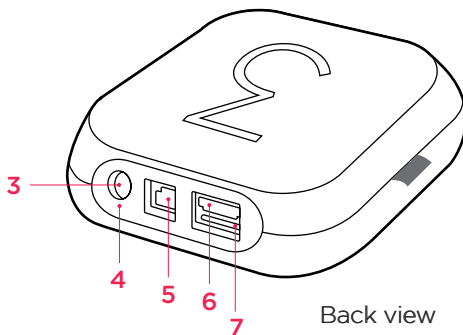
Hi! Let's get you started.

Roku 3

Get to know your Roku 3



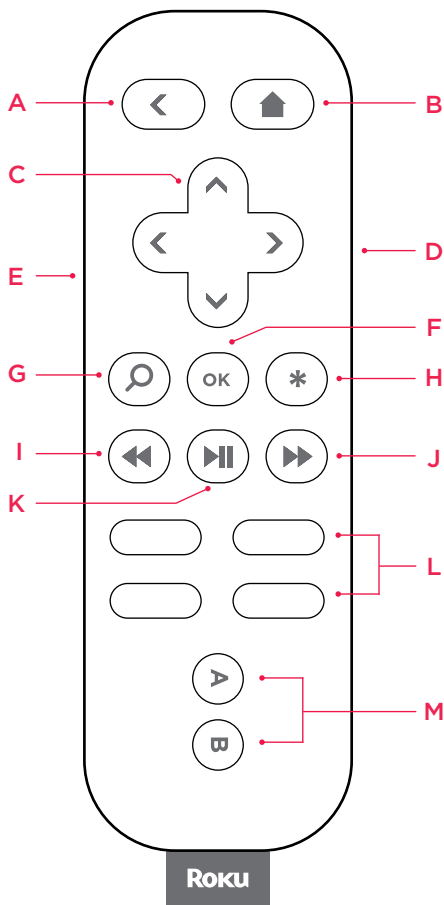
Front view



Back view

- 1 Status light** - Flashes slowly when the Roku player starts up. Glows when it's on. Flashes once with each press of the remote control.
- 2 USB port** - Connect a compatible USB device for browsing photos, music and movies.
- 3 Power port** - Connect your player to the power source with the included power cable.
- 4 Reset Button** - Reset your player (you probably won't ever have to use this)
- 5 Ethernet port** - Connect your player to a wired network with an Ethernet cable (not included).
- 6 HDMI port** - Connect your player to an HDTV with an HDMI cable (not included).
- 7 Storage expansion slot** - Add a microSD card (not included) to expand internal storage for channels and games.

Get to know your **Remote**



- A** **[BACK]** Return to previous screen
- B** **[HOME]** Return to Roku home screen
- C** **[UP]** or **[DOWN]** Move up or down;
[LEFT] or **[RIGHT]** Move left or right
- D** **[VOLUME +/-]** Increase/Decrease the volume of your headphones
- E** **[HEADPHONE JACK]** Plug in headphones here
- F** **[OK]** Select an option from a menu
- G** **[VOICE SEARCH]** Use your voice to search across top channels
- H** **[OPTIONS]** View more options
- I** **[REV SCAN]** Rewind, scroll left one page at a time
- J** **[FWD SCAN]** Fast forward, scroll right one page at a time
- K** **[PLAY/PAUSE]** Start or pause playback
- L** **[CHANNEL SHORTCUT]** Instant access to favorite channels
- M** **[A & B]** Action buttons for gaming

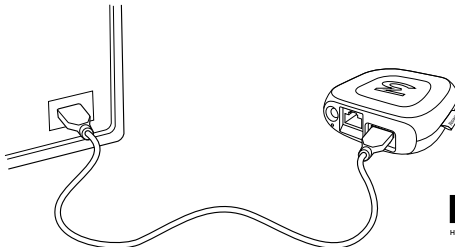


To prevent possible hearing damage, do not listen at high volume levels for long periods.

What to do **Step 1**

Connect your player

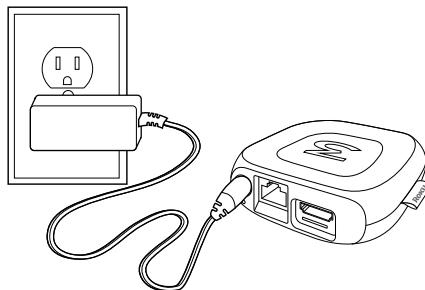
Connect your Roku player to your HDTV with the HDMI cable.



What to do **Step 2**

Next, connect your included power adapter to your Roku player, and then plug the adapter into an outlet.

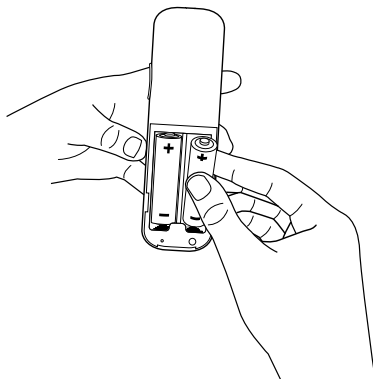
Finally, power on your TV and look for a Roku message to fill the screen.



What to do **Step 3**

Power up your remote

- Power your Roku remote by inserting the included batteries.
- Insert each battery, negative (-) side first, pushing it into the coil and then into the compartment. DO NOT insert batteries positive (+) side first. Place the battery door back over the compartment and press it gently down until the latch snaps securely into place.



Never use damaged batteries. If your remote gets warm/hot during use, discontinue use and contact Roku Customer Support immediately at <http://support.roku.com>.

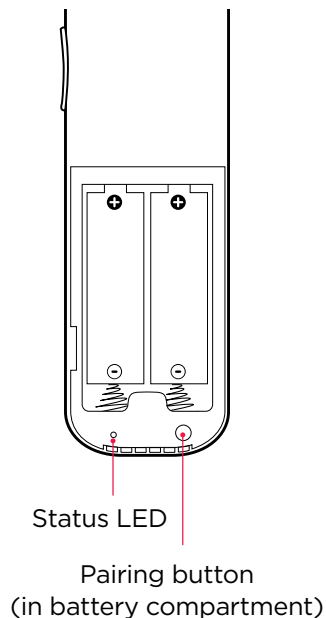
Do not operate the Roku remote using any vigorous motions or gestures.

What to do **Step 3** (continued)

Pairing your remote control

The Roku remote should automatically pair with your Roku player at the beginning of Guided Setup. If you are not able to use the remote to navigate through Guided Setup, you can manually pair the Roku remote by following these steps:

- Open the Roku remote battery compartment and press and hold the pairing button until the LED begins to flash.
- A pairing dialog should appear on your TV screen. Once the dialog disappears, try using your remote to continue setup.



For more information on pairing your remote, see <http://support.roku.com>.

What to do **Step 4**

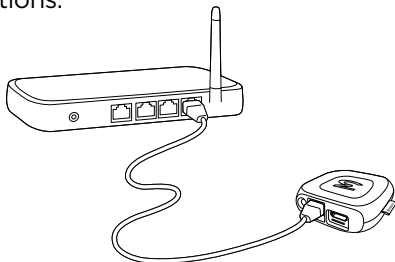
Connect to your network

Step 4 establishes your network connection. Just choose either wireless or wired and read on for instructions:

Wireless: If you use a wireless network, grab that Roku remote and jump right into Guided Setup. When prompted, select “Wireless” as your network connection and have your network name and password ready. Then:

- Select your network from the list of available networks.
- Enter your network password, if you use one. Remember that network passwords are case sensitive.

Wired: If you use a wired network, this step is a snap. Simply connect the Ethernet port on the back of your Roku player to the back of your router with an Ethernet cable (not included), and then use your Roku remote to select “Wired” from the on-screen network options.



- Connect one end to the Ethernet port on the back of your Roku player.
- Connect the other end to an open Ethernet port on your router.

What to do **Step 5**

Complete guided setup

It's the final stretch! Continue following the on-screen instructions and you'll:

- Get the latest software.
- Link the Roku player to your Roku account on your computer.
 - During Guided Setup, you'll be prompted to create your Roku account online at <http://roku.com/link>
 - Your Roku player will generate a unique code that links your player to your new account.

Setup is done. Congratulations! Continue using your Roku remote to personalize your channel line-up, stream movies, TV shows, and music, or play games. The fun has just begun, we promise.



Your Roku account: Roku accounts are free. And while a valid credit card number is required to create your account, rest assured you will only be charged if you authorize purchases of channels and games from the Roku Channel Store.

Get the most out of your Roku player



Choose & Personalize

Your homescreen is yours to personalize. Select your favorite channels from over 2000 choices* in the Roku Channel store. Then, arrange the channels in the order that's best for you.



Search

Find what you want to watch by searching across top streaming channels. Then, choose the best option or value. Follow movies, actors, TV shows & episodes, to get updates when your favorites are ready to watch.



Control with Ease

Both our simple remote and our mobile app let you navigate with ease. Here's a hint: Try the star button on any screen or channel to access an options menu.



Cast Media

Cast and mirror videos, music, photos, and more from your mobile devices** to your TV. Use the Roku app, Netflix and YouTube apps, or built in screen mirroring capabilities.

*Subscription or other payment may be required to access certain content. Channel availability subject to change.

**Applies to select iOS®, Android™ and Windows® devices only.

For more information on how Roku works with your other connected devices, please visit <http://support.roku.com>.

Troubleshooting

Having trouble completing Guided Setup? Don't worry. It's usually an easy fix. For detailed trouble-shooting, visit <http://support.roku.com>.

If you cannot see a picture on your TV:

- If you are using HDMI with a home theater receiver, make sure the HDMI cable from your Roku player is connected to an HDMI-in port on your receiver and your receiver is connected to your TV via an HDMI input.
- Make sure the video input on your TV or home theater receiver is set to match the output used with the Roku player. Most TVs have an Input button on the remote control to change video inputs.

If you cannot connect to your wireless home network during guided setup:

- If you are not getting 3 or more signal-strength bars above your wireless network, adjust the location of your Roku player and/or wireless router.
- Try to avoid obstructions, like cement walls, between your Roku player and your wireless router.
- If you have turned off SSID broadcasting on your wireless router, you can add your network by selecting "My network is not shown" from the "Select wireless network" screen.



Do's and don'ts on where to place your Roku player:

- DO place your player within range of your wireless network.
- DON'T place your player in an enclosed cabinet; it may interfere with the wireless signal.
- DON'T place anything on top of your player; it may cause the player to overheat. Eeeeks.

Need more **help?**

Visit: <http://support.roku.com>

Get the most out of your Roku player.

Check out our FAQs, instructional videos and user forums.

ROKU[®]



© 2015 Roku, Inc. All rights reserved. Roku[®] and Happy Streaming[™] are the trademarks of Roku, Inc.
All other logos and trademarks herein not owned by Roku, Inc. are the property of their respective owners.



Roku Player

Important Product Information

The License Agreement

The Roku and third-party software license terms can be found at: www.roku.com/license. Use of the Roku player constitutes acceptance of as well as agreement to those license terms. If you do not agree to the software license terms and conditions and you are within the allowable time period for returns under the applicable return policy, you may return the Player (defined below) to the place where you obtained it for a refund, in accordance with the terms of such return policy.

Limited Hardware Warranty

Subject to the additional terms and conditions set forth below, Roku provides this Limited Warranty:

- Only to the person or entity that originally purchased the Player from Roku or from one of its authorized resellers or distributors; and
- One (1) year limited hardware warranty for Players purchased and delivered to the end user within the United States.

Limited Warranty

Roku warrants the Roku Player (“**Player**”) hardware against defects in materials and workmanship under normal use for a period of one (1) year from the date of purchase (“**Warranty Period**”). If Roku determines that the Player’s hardware is defective, Roku will either repair the unit or replace the unit with either a new or rebuilt Player, at its option. If the Warranty Period has expired or is otherwise not applicable (see **Scope and Limitation on Warranty** below), we will return the Player to you. More information about this warranty can be found at www.roku.com/support. THE FOREGOING SETS FORTH ROKU’S SOLE OBLIGATION AND YOUR EXCLUSIVE REMEDY IN THE EVENT OF ANY BREACH OF THIS LIMITED WARRANTY.

Return and Warranty Service Process

Please access and review Roku Support online help resources at support.roku.com before seeking warranty service. Returns or warranty service requests for your new Player must be within the 30-day return period, or within the original product warranty period. You must first obtain a Return Merchandise Authorization (RMA) number from Roku Customer Support. RMA numbers expire thirty days from issuance. Roku may attempt to troubleshoot a warranty-related problem prior to issuing a RMA number. Please be prepared to provide additional information upon request. Once a RMA number is obtained, you must ship your Player, freight prepaid, together with proof of purchase and all accessories, in either the original packaging or packaging affording an equal degree of protection, to the Roku authorized distribution facility identified by Roku Customer Support. Failure to return any of the accessories could result in a delay and/or result in an invoice to you or credit to Roku for the missing accessories.

Important: When submitting a RMA, please provide the following information with your request: (a) model number, (b) serial number, (c) problem description, (d) software version (located in the Settings menu), (e) date of purchase, (f) place of purchase (reseller or online place of purchase), and (g) return shipping address (P.O. boxes are not accepted).

Additional Roku troubleshooting and online help resources can be found at support.roku.com

Scope of and Limitation on Warranty

The warranty on the Player is limited to the repair or replacement of defective units as described in the Limited Warranty section above. This warranty does not cover customer training or education, installation, set up adjustments, or signal reception problems. This warranty also does not cover any issue related to the service provided by your Internet service provider or content providers, including but not limited to service disruption, changes in service terms, changes in offerings, changes in format, or technical problems. This warranty does not cover damage due to acts of God, accident, misuse, abuse, negligence, commercial use or modification of, or to any part of, your Player. This warranty does not

cover damage caused by other devices, improper operation or maintenance, connection to improper voltage supply or attempted repair by anyone other than a facility authorized by Roku to service your Player. This warranty does not cover consumables (such as fuses and batteries).

Legal Notices

Federal Communication Commission Interference Statement

This equipment has been tested and found to comply with the limits for a Class B digital device, pursuant to Part 15 of the FCC Rules. These limits are designed to provide reasonable protection against harmful interference in a residential installation. This equipment generates, uses and can radiate radio frequency energy and, if not installed and used in accordance with the instructions, may cause harmful interference to radio communications. However, there is no guarantee that interference will not occur in a particular installation. If this equipment does cause harmful interference to radio or television reception, which can be determined by turning the equipment off and on, the user is encouraged to try to correct the interference by one of the following measures:

- Reorient or relocate the receiving antenna.
- Increase the separation between the equipment and receiver.
- Connect the equipment into an outlet on a circuit different from that to which the receiver is connected.
- Consult the dealer or an experienced radio/TV technician for help.

This device complies with Part 15 of the FCC Rules. Operation is subject to the following two conditions: (1) This device may not cause harmful interference, and (2) this device must accept any interference received, including interference that may cause undesired operation.

FCC Caution: Any changes or modifications not expressly approved by the party responsible for compliance could void the user's authority to operate this equipment.

IEEE 802.11b or 802.11g operation of this product in the U.S.A. is firmware-limited to channels 1 through 11. Wireless Radio Use:

This device is restricted to indoor use when operating in the 5.15 to 5.25 GHz frequency band.

IMPORTANT NOTE:

FCC Radiation Exposure Statement:

This equipment complies with FCC radiation exposure limits set forth for an uncontrolled environment. This equipment should be installed and operated with minimum distance 20cm between the radiator and your body.

This transmitter must not be co-located or operating in conjunction with any other antenna or transmitter.

Note to US model owner:

To comply with US FCC regulation, the country selection function has been completely removed from all US models.

The availability of some specific channels and/or operational frequency bands are country dependent and are firmware programmed at the factory to match the intended destination. The firmware setting is not accessible by the end user.

Safety Precautions

This product has been designed with the highest concern for safety. However, any electrical device, if used improperly, has the potential for causing fire, electrical shock or personal injury. To help ensure accident-free operation, follow these guidelines:

- Observe all warnings, precautions and instructions.
- Regularly inspect the AC power adapter for damage.
- Stop use, unplug the AC power adapter from the electrical outlet and disconnect any other cables immediately if the Player functions in an abnormal manner, produces unusual sounds or smells or becomes too hot to touch.
- For more information on product safety and troubleshooting, please go to www.roku.com/support.

Use and Handling

- Do not operate the Roku remote using any vigorous motions or gestures.
- Keep the Player and accessories, including cable ties and fasteners, out of the reach of small children.
- Do not touch the Player or connected cables during an electrical storm.
- Do not allow liquid, small particles or other foreign objects to get into the Player or accessories.
- Do not expose the Player to smoke or steam.
- Do not expose the Player or accessories to high temperatures, high humidity or direct sunlight.
- Do not place the Player or the remote on the floor or in a place where they may cause someone to trip or stumble.
- To prevent possible hearing damage, do not listen at high volume levels for long periods.



IMPORTANT tips about battery handling!

Inserting batteries: When inserting batteries, be sure to insert each battery negative (-) side first, pushing it into the coil and then into the compartment. Never insert batteries positive (+) side first.

Replacing batteries: Always replace dead batteries with two brand-new batteries from the same manufacturer. Never use damaged batteries.

Disposal of batteries: Always dispose of batteries following federal guidelines or local ordinances. Do not dispose of used batteries in an open fire.

Warning: If your remote gets warm/hot during use, discontinue use and contact Roku Customer Support immediately at roku.com/support. There is a risk of explosion if battery is replaced by an incorrect type.

www.roku.com

Copyright © 2015 Roku, Inc. All rights reserved. Roku and the

Roku logo are registered trademarks of Roku, Inc. HDMI, the HDMI logo and High-Definition Multimedia Interface are trademarks or registered trademarks of HDMI Licensing LLC.



4 1 0 0 0 0 1 3 0 - 1