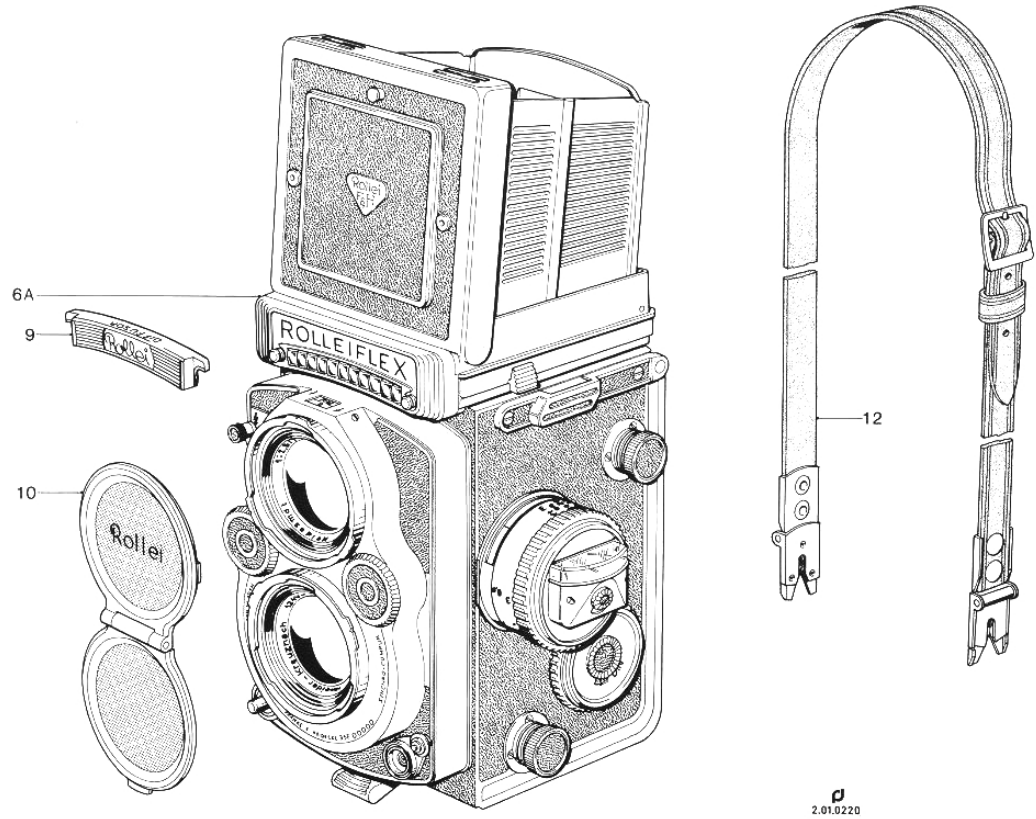


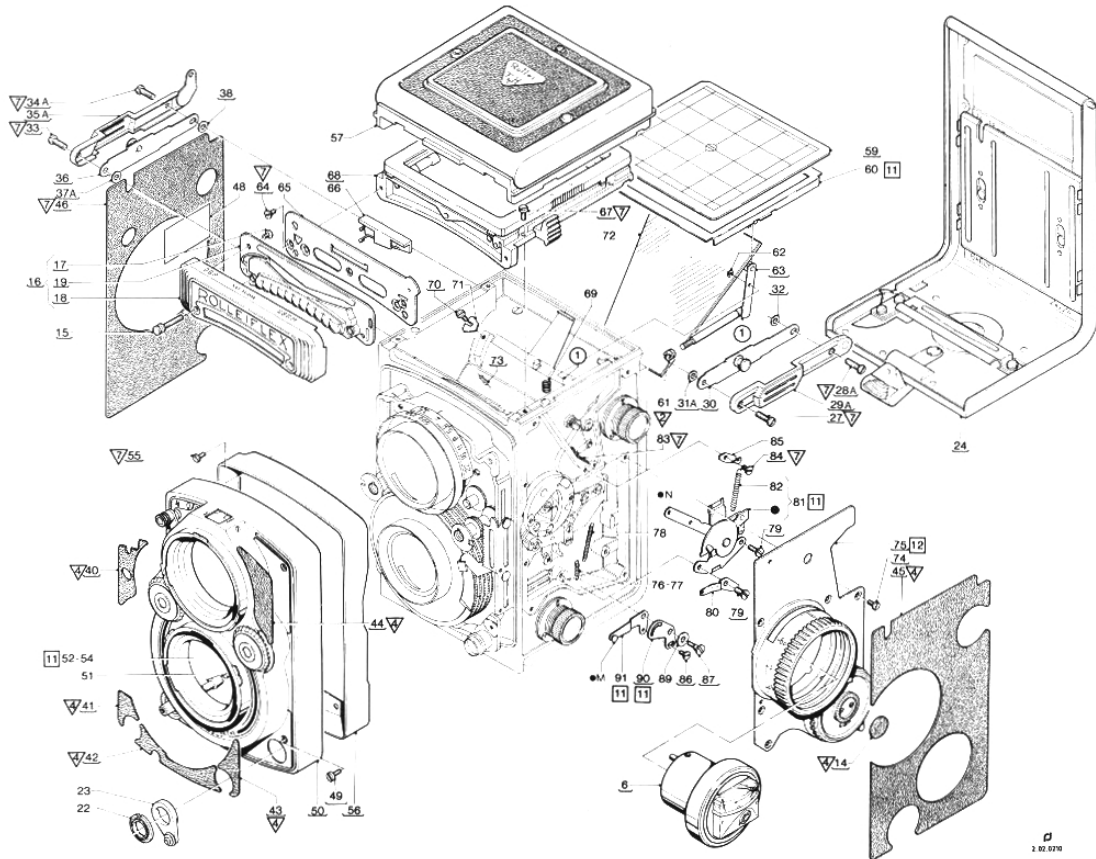
2.01.0210

| POS.<br>ITEM<br>POS. | X R<br>K ● | SACH-NR.<br>PART-NR.<br>NO. DE PIÈCES | BENENNUNG<br>DESCRIPTION<br>DÉSIGNATION | STÜCK PRO<br>VARIANTE<br>QTY-TYPE<br>PIÈCES PAR<br>VARIANTE |    |    |    |    | BEMERKUNG<br>REMARK<br>OBSERVATION |
|----------------------|------------|---------------------------------------|---|---|----|----|----|----|------------------------------------|
|                      |            |                                       |   | 00  | 01 | 02 | 03 | 04 |                                    |
| 1                    | ●          | 04560.99.0                            | ROLLEIFLEX 3,5F KPL.                    | -   |    |    |    |    | 1958 → 1960                        |
| 2                    | ●          | 04560.99.1                            | ROLLEIFLEX 3,5F CPL.                    | -   |    |    |    |    | 1960 → 1960                        |
| 3                    | ●          | 04560.41.0                            | ROLLEIFLEX 3,5F FL-GLASS CPL.           | 1   |    |    |    |    | SIEHE / SEE 2.02.0210              |
| 4                    | ●          | 04560.41.1                            | ROLLEIFLEX 3,5F PLAN                    |   | 1  |    |    |    | SIEHE / SEE 2.02.0210              |
| 5                    |            | 04689.00.1                            | DIFFUSOR                                | 1   |    |    |    |    |                                    |
| 6                    | ●          | 04880.41.0                            | OBJEKTIVDECKEL, CHROM                   | 1   |    |    |    |    |                                    |
| 7                    | ●          | 92700.41.0                            | LENS CAP, CHROMIUM                      | 1   |    |    |    |    |                                    |
|                      |            |                                       | TRAGRIEMEN                              | 1   |    |    |    |    |                                    |
| 8                    | ●          | 94550.41.0                            | NECK STRAP                              |   |    |    |    |    | (NB)                               |
|                      |            |                                       | BEREITSCHAFTSTASCHE                     | -   | -  |    |    |    |                                    |
|                      |            |                                       | EVERREADY CASE                          |   |    |    |    |    |                                    |
| 9                    | ●          | 94490.99.0                            | BEREITSCHAFTSTASCHE PLAN                |   |    |    |    |    | (NB) 1960 →                        |
|                      |            |                                       | EVERREADY CASE FLAT                     |   |    |    |    |    |                                    |



 2.01.0220

| Rollei<br>Service    |            | ERSATZTEILLISTE<br>PARTSBOOK<br>LISTE DE PIÈCES |  |   |    |    | 12-74                                   | 2.01.0220 |                                    |                       |
|----------------------|------------|---|--|---|----|----|---|-----------|------------------------------------|-----------------------|
|                      |            |   |  |   |    |    | ROLLEIFLEX 3,5 F 220 KPL.<br>14000.99.1 |           |                                    |                       |
| POS.<br>ITEM<br>POS. | X R<br>K ● | SACH-NR.<br>PART-NR.<br>NO. DE PIÈCES           | BENENNUNG<br>DESCRIPTION<br>DÉSIGNATION  | STÜCK PRO<br>VARIANTE<br>QTY-TYPE<br>PIÈCES PAR<br>VARIANTE |    |    |   |           | BEMERKUNG<br>REMARK<br>OBSERVATION |                       |
|                      |            |   |  | 00  | 01 | 02 | 03                                      | 04        | 05                                 |                       |
| 1                    | ●          | 14000.99.0 01                                   | ROLLEIFLEX 3,5F PLAN KPL.  | -   |    |    |   |           |                                    | 1960 → 1966           |
| 1A                   | ●          | 14000.99.1 01                                   | ROLLEIFLEX 3,5F FL-GLASS CPL.<br>ROLLEIFLEX 3,5F KPL.<br>ROLLEIFLEX 3,5F CPL.          | -   |    |    |   |           |                                    | 1966 →                |
| 2                    | ●          | 14000.99.0 02                                   | ROLLEIFLEX 3,5F PLAN/220 KPL.  | -   |    |    |   |           |                                    | 1965 → 1966           |
| 2A                   | ●          | 14000.99.1 02                                   | ROLLEIFLEX 3,5F FL-GL/220 CPL.<br>ROLLEIFLEX 3,5F 220 KPL.<br>ROLLEIFLEX 3,5F 220 CPL. | -   |    |    |   |           |                                    | 1966 →                |
| 3                    | ●          | 14000.99.1 04                                   | ROLLEIFLEX 3,5F OHNE BELI KPL.<br>ROLLEIFLEX 3,5F W/O METER CPL.                       |   |    |    |   | -         |                                    | 1966 →                |
| 4                    | ●          | 14000.99.1 05                                   | ROLLEIFLEX 3,5F 220 O. BELI KPL.<br>ROLLEIFLEX 3,5F 220 W/O M. CPL.                    |   |    |    |   |           |                                    | - 1966 →              |
| 5                    | ●          | 14000.41.0 01                                   | ROLLEIFLEX 3,5F PLAN<br>ROLLEIFLEX 3,5F FL-GLASS                                       | 1   |    |    |   |           |                                    | SIEHE / SEE 2.02.0220 |
| 5A                   | ●          | 14000.41.1 01                                   | ROLLEIFLEX 3,5F<br>ROLLEIFLEX 3,5F   | 1   |    |    |   |           |                                    | SIEHE / SEE 2.02.0220 |
| 6                    | ●          | 14000.41.0 02                                   | ROLLEIFLEX 3,5F PLAN/220<br>ROLLEIFLEX 3,5F FL-GL/220                                  | 1   |    |    |   |           |                                    | SIEHE / SEE 2.02.0220 |
| 6A                   | ●          | 14000.41.1 02                                   | ROLLEIFLEX 3,5F 220<br>ROLLEIFLEX 3,5F 220   | 1   |    |    |   |           |                                    | SIEHE / SEE 2.02.0220 |
| 7                    | ●          | 14000.41.1 04                                   | ROLLEIFLEX 3,5F OHNE BELI<br>ROLLEIFLEX 3,5F W/O METER                                 |   |    |    |   | 1         |                                    | SIEHE / SEE 2.02.0220 |
| 8                    | ●          | 14000.41.1 05                                   | ROLLEIFLEX 3,5F 220 OHNE BELI<br>ROLLEIFLEX 3,5F 220 W/O METER                         |   |    |    |   |           | 1                                  | SIEHE / SEE 2.02.0220 |
| 9                    |            | 04689.00.1                                      | DIFFUSOR<br>DIFFUSOR   | 1   | 1  |    |   |           |                                    |                       |
| 10                   | ●          | 04876.41.0                                      | OBJEKTIVDECKEL, PLASTIK<br>LENS CAP, PLASTIC   | 1   |    |    |   |           |                                    | (WW)1966 →            |
| 11                   | ●          | 04880.41.0                                      | OBJEKTIVDECKEL, CHROM<br>LENS CAP, CHROMIUM  | -   |    |    |   |           |                                    | (WW)                  |
| 12                   | ●          | 92700.41.0                                      | TRAGRIEMEN<br>NECK STRAP   | 1   |    |    |   |           |                                    |                       |
| 13                   | ●          | 94490.41.0 01                                   | BEREITSCHAFTSTASCHE PLAN<br>EVERREADY CASE PLAN  | -   |    |    |   |           |                                    | (NB)                  |
| 14                   | ●          | 94550.41.0 01                                   | BEREITSCHAFTSTASCHE<br>EVERREADY CASE  | -   |    |    |   |           |                                    | (NB)                  |
| 15                   | ●          | 94490.41.0 02                                   | BER-TASCHE PLAN/220<br>EVERREADY CASE FL-GL/220  | -   |    |    |   |           |                                    | (NB)1965 → 1966       |
| 16                   | ●          | 94550.41.0 02                                   | BEREITSCHAFTSTASCHE 220<br>EVERREADY CASE 220  | -   |    |    |   |           |                                    | (NB)1965 →            |



**REPARATUR-HINWEISE, JUSTIERANGABEN, SCHMIERPUNKTE**

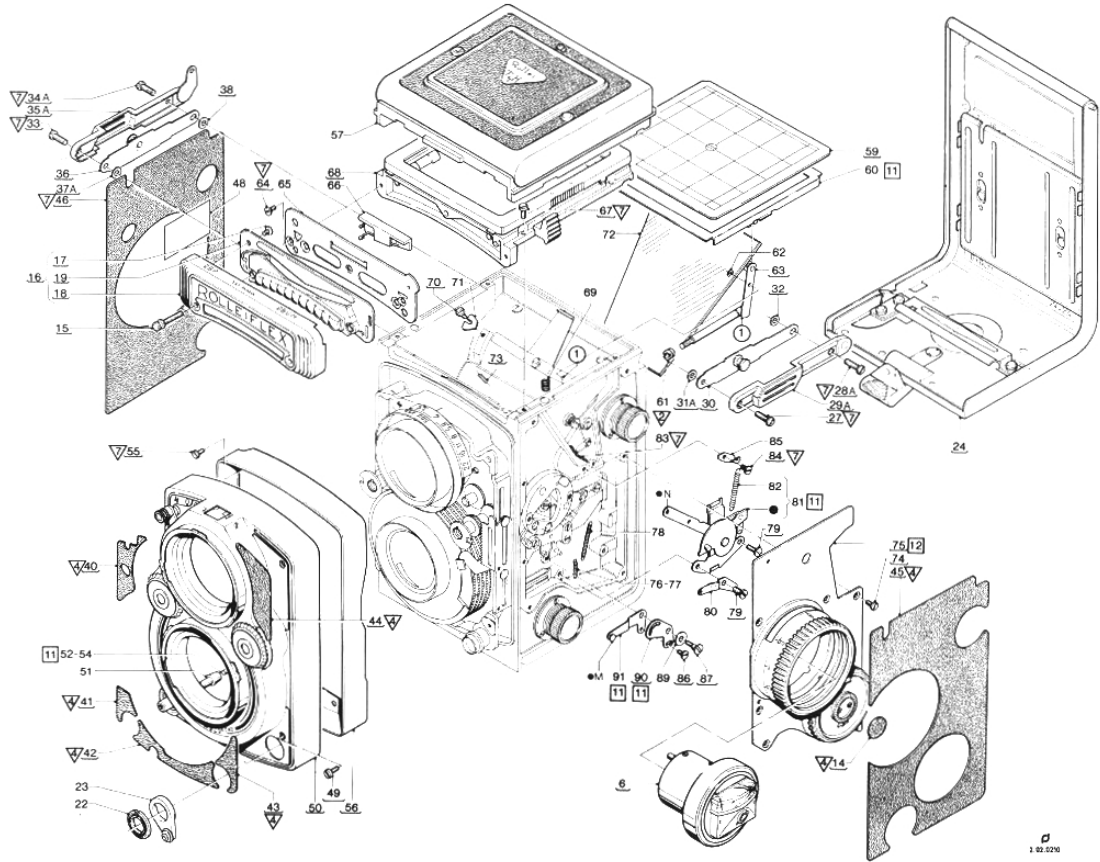
**REPAIR AND ADJUSTMENT INSTRUCTIONS, LUBRICATION POINTS**

- Beachte:**
- Die **Positionen mit ▽** sind in den **umseitigen Ersatzteillisten angegeben. Alle übrigen Positionen siehe Ersatzteilliste Blatt 2.02.0220-0228.**
  - Reparatur-Hinweise ähnlich Rolleiflex 3,5 F (Blatt 2.02.0220-0229).**

- Note:**
- Positions marked ▽ are indicated on the overleaf partsbook. All other positions see partsbook sheet 2.02.0220-0228.**
  - Repair instructions similar Rolleiflex 3,5 F (sheet 2.02.0220-0229).**

| Rollei<br>Service    |            | ERSATZTEILLISTE<br>PARTSBOOK<br>LISTE DE PIÈCES |   |  |   | 12-74                          | 2.02.0210 |  |   |
|----------------------|------------|---|---|--|---|--------------------------------|-----------|--|---|
|                      |            |   |   |  |   | ROLLEIFLEX 3,5 F<br>04560.41.0 |           |  |   |
| POS.<br>ITEM<br>POS. | X R<br>K ● | SACH-NR.<br>PART-NR.<br>NO. DE PIÈCES           | BENENNUNG<br>DESCRIPTION<br>DÉSIGNATION                             | STÜCK PRO<br>VARIANTE<br>QTY-TYPE<br>PIÈCES PAR<br>VARIANTE<br>00 01 02 03 04 05 |   |                                |           |  | BEMERKUNG<br>REMARK<br>OBSERVATION  |
| 1                    | ●          | 04560.41.0                                      | ROLLEIFLEX 3,5 F  | -  |   |                                |           |  | 1958 → 1960 (K4D)   |
| 2                    | ●          | 04560.41.1                                      | ROLLEIFLEX 3,5 F<br>ROLLEIFLEX 3,5 F PLAN<br>ROLLEIFLEX 3,5 F FL-GL | -  |   |                                |           |  | 1960 → 1960 (K4E)<br>11.136 + 11.269  |
| 5                    | ●          |   | FILMSPULE B2-8<br>FILMSPOOL B2-8                                    | 1  |   |                                |           |  |   |
| 6                    | K          | 04895.41.0                                      | MESSGERAET<br>★<br>METER MOVEMENT                                   | 1  |   |                                |           |  | PAARIG ZU / PAIRED TO<br>POS. 19<br>25.009 + 75310.41.0-W001                        |
| 7                    |            | 01124.82.0                                      | -SENKSCHRAUBE<br>COUNTERSUNK SCREW                                  | 3  |   |                                |           |  |   |
| 8                    |            | 04895.01.0                                      | -GEHAEUSEKAPPE<br>METER COVER                                       | 1  |   |                                |           |  |   |
| 9                    |            | 75043.00.0                                      | -BELI-SCHRAUBE<br>LIGHT-METER SCREW                                 | 2  |   |                                |           |  |   |
| 14                   | X          | 04737.00.1                                      | BELEDERUNG<br>LEATHER COVERING                                      | 1  |   |                                |           |  |   |
| 15                   |            | 08052.00.0                                      | FORMSCHRAUBE<br>SHAPED SCREW  | 2  |   |                                |           |  | 04000.48.2-W003   |
| 16                   | ●          | 04560.13.1                                      | KAMERASCHILD<br>NAME PLATE  | 1  |   |                                |           |  |   |
| 17                   |            | 01069.82.0                                      | -LINSENSCHRAUBE<br>OVAL-HEAD SCREW                                  | 1  |   |                                |           |  |   |
| 18                   | ●          | 04745.00.1                                      | -KAMERASCHILD<br>NAME PLATE   | 1  |   |                                |           |  | DAFUER / FOR THAT POS. 18L  |
| 18L                  |            | 75042.00.0                                      | -KAMERASCHILD DBP/DBGM<br>NAME PLATE DBP/DBGM                       | 1  |   |                                |           |  |   |
| 19                   | K          | 04746.00.0                                      | -FOTOELEMENT<br>PHOTO CELL  | 1  |   |                                |           |  | PAARIG ZU / PAIRED TO POS.6   |
| 24                   | ●          | 04595.41.0                                      | KAMERARUECKWAND<br>BACK COVER                                       | 1  |   |                                |           |  | SIEHE / SEE 2.09.0200   |
| 24A                  |            | 14800.41.0                                      | KAMERARUECKWAND<br>★<br>★<br>BACK COVER                             | 1  | 1 |                                |           |  | (WW)<br>11.072-HS + 11.258<br>11.072-005 + 04550.41.0-W010<br>SIEHE / SEE 2.09.0200 |
| 25                   |            | 94800.41.0                                      | PLANGLASRUECKWAND<br>FL. GLASS PLATE BACK                           | 1  |   |                                |           |  | (WW)<br>SIEHE / SEE 2.09.0210   |
| 26                   |            | 07002.00.0                                      | PLANGLAS<br>OPTICAL FLAT GLASS                                      | 1  |   |                                |           |  | (NB)  |
| 27                   |            | 02024.84.0                                      | LINSENSCHRAUBE<br>OVAL-HEAD SCREW                                   | 1  |   |                                |           |  | → 1966  |
| 28                   |            | 02025.84.0                                      | LINSENSCHRAUBE<br>OVAL-HEAD SCREW                                   | 1  |   |                                |           |  | → 1966  |
| 28A                  |            | 02024.84.0                                      | LINSENSCHRAUBE<br>OVAL-HEAD SCREW                                   | 2  |   |                                |           |  | 1966 →  |
| 29                   | ●          | 07000.37.1                                      | RIEMENHALTER LINKS<br>★<br>NECK STRAP HOLDER LEFT                   | 1  |   |                                |           |  | → 1966<br>DAFUER / FOR THAT POS. 29A +<br>30  |
| 29A                  | X          | 07000.37.2                                      | RIEMENHALTER LINKS<br>NECK STRAP HOLDER                             | 1  |   |                                |           |  | 1966 →  |
| 30                   |            | 07391.01.1                                      | STEGPLATTE LINKS<br>WEB PLATE LEFT                                  | 1  |   |                                |           |  | 1966 →  |
| 31                   |            | 08036.00.0                                      | BUCHSE<br>BUSHING   | 1  |   |                                |           |  | → 1966  |
| 31A                  |            | 03408.00.0                                      | UNTERLEGSCHNEIBE 0,8<br>WASHER 0,8                                  | 1  |   |                                |           |  | 1966 →  |
| 32                   |            | 03408.00.0                                      | UNTERLEGSCHNEIBE 0,8<br>WASHER 0,8                                  | 1  |   |                                |           |  |   |
| 33                   |            | 02024.84.0                                      | LINSENSCHRAUBE<br>OVAL-HEAD SCREW                                   | 1  |   |                                |           |  | → 1966  |
| 34                   |            | 02025.84.0                                      | LINSENSCHRAUBE<br>OVAL-HEAD SCREW                                   | 1  |   |                                |           |  | → 1966  |
| 34A                  |            | 02024.84.0                                      | LINSENSCHRAUBE<br>OVAL-HEAD SCREW                                   | 2  |   |                                |           |  | 1966 →  |
| 35                   | ●          | 07000.36.1                                      | RIEMENHALTER RECHTS<br>★<br>NECK STRAP HOLDER RIGHT                 | 1  |   |                                |           |  | → 1966<br>DAFUER / FOR THAT POS. 35A +<br>36  |
| 35A                  | X          | 07000.36.2                                      | RIEMENHALTER RECHTS<br>NECK STRAP HOLDER RIGHT                      | 1  |   |                                |           |  | 1966 →  |
| 36                   |            | 07390.01.1                                      | STEGPLATTE RECHTS<br>WEB PLATE RIGHT                                | 1  |   |                                |           |  | 1966 →  |
| 37                   |            | 08036.00.0                                      | BUCHSE<br>BUSHING   | 1  |   |                                |           |  | → 1966  |
| 37A                  |            | 03408.00.0                                      | UNTERLEGSCHNEIBE 0,8<br>WASHER 0,8                                  | 1  |   |                                |           |  | 1966 →  |
| 38                   |            | 03408.00.0                                      | UNTERLEGSCHNEIBE 0,8<br>WASHER 0,8                                  | 1  |   |                                |           |  |   |

FORTSETZUNG 1  
CONTINUED 1

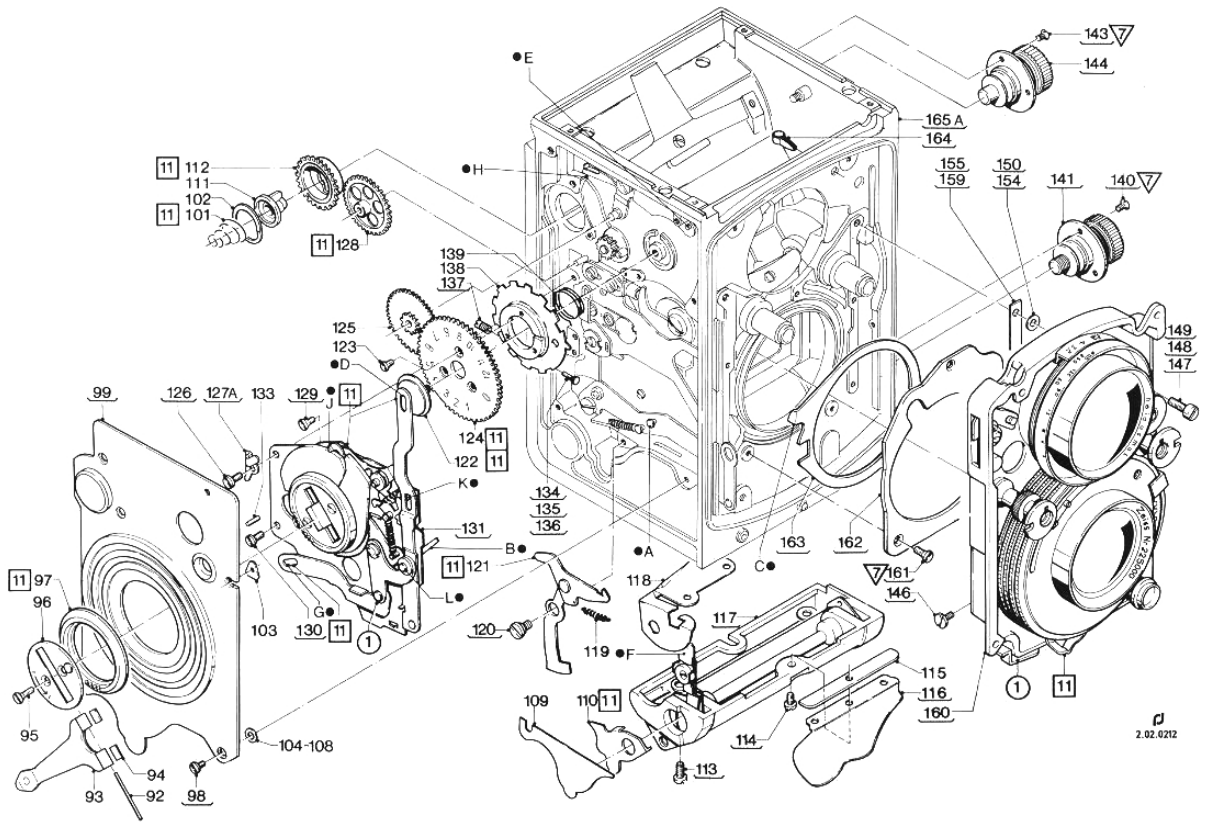


REPARATUR-HINWEISE, JUSTIERANGABEN, SCHMIERPUNKTE

REPAIR AND ADJUSTMENT INSTRUCTIONS, LUBRICATION POINTS

| Rollei<br>Service    |            | ERSATZTEILLISTE<br>PARTSBOOK<br>LISTE DE PIÈCES |   |   |    | 12-74                          | 2.02.0211 |    |                                    |  |
|----------------------|------------|---|---|---|----|--------------------------------|-----------|----|------------------------------------|--|
|                      |            |   |   |   |    | ROLLEIFLEX 3,5 F<br>04560.41.0 |           |    |                                    |  |
| POS.<br>ITEM<br>POS. | X R<br>K ● | SACH-NR.<br>PART-NR.<br>NO. DE PIÈCES           | BENENNUNG<br>DESCRIPTION<br>DÉSIGNATION       | STÜCK PRO<br>VARIANTE<br>QTY-TYPE<br>PIÈCES PAR<br>VARIANTE |    |                                |           |    | BEMERKUNG<br>REMARK<br>OBSERVATION |  |
|                      |            |   |   | 00  | 01 | 02                             | 03        | 04 | 05                                 |  |
|                      |            |   | FORTSETZUNG 1<br>CONTINUED 1                  |   |    |                                |           |    |                                    |  |
| 40                   |            | 04871.00.0                                      | LEDERFOLIE<br>LEATHERETTE                     | 1   |    |                                |           |    |                                    |  |
| 41                   |            | 04874.00.0                                      | LEDERFOLIE<br>LEATHERETTE                     | 1   |    |                                |           |    |                                    |  |
| 42                   |            | 04873.00.0                                      | LEDERFOLIE<br>LEATHERETTE                     | 1   |    |                                |           |    |                                    |  |
| 43                   |            | 04875.00.0                                      | LEDERFOLIE<br>LEATHERETTE                     | 1   |    |                                |           |    |                                    |  |
| 44                   |            | 04872.00.0                                      | LEDERFOLIE<br>LEATHERETTE                     | 1   |    |                                |           |    |                                    |  |
| 45                   | X          | 04736.00.1                                      | LEDERFOLIE<br>LEATHERETTE                     | 1   |    |                                |           |    |                                    |  |
| 46                   | A          | 04242.00.2                                      | LEDERFOLIE<br>LEATHERETTE                     | 1   |    |                                |           |    |                                    |  |
| 49                   |            | 02091.82.0                                      | ZYLINDERSCHRAUBE<br>CHEESE-HEAD SCREW         | 4   |    |                                |           |    |                                    |  |
| 50                   |            | 04850.41.0                                      | ABSCHLUSSKASTEN KPL.<br>★<br>FRONT COVER CPL. | 1   |    |                                |           |    |                                    | SIEHE / SEE 2.06.0210<br>04560.49.0-W001   |
| 50A                  |            | 04850.41.1                                      | ABSCHLUSSKASTEN KPL.<br>FRONT COVER CPL.      | 1   |    | 1                              |           |    |                                    | W-SK 315 + W-SK 477<br>SIEHE / SEE 2.06.0210                                       |
| 55                   |            | 02004.82.0                                      | LINSENSCHRAUBE<br>OVAL-HEAD SCREW             | 4   |    |                                |           |    |                                    |  |
| 56                   |            | 04590.00.0                                      | ABDECKKRAHMEN 12,2 MM<br>COVER FRAME 12,2 MM  | 1   |    |                                |           |    |                                    |  |
| 56A                  |            | 04590.00.1                                      | ABDECKKRAHMEN 12,8 MM<br>COVER FRAME 12,8 MM  | 1   |    | 1                              |           |    |                                    |  |
| 58                   | ●          | 08016.00.0                                      | STREUSCHEIBE<br>FOCUSING SCREEN               | 1   |    |                                |           |    |                                    | DAFUER / FOR THAT POS. 59  |
| 59                   | ●          | 08047.00.0                                      | STREUSCHEIBE<br>★<br>FOCUSING SCREEN          | 1   |    |                                |           |    |                                    | DAFUER / FOR THAT 90164.41.1<br>11.072-HS + 11.258<br>11.072-009A                  |
| 63                   |            | 04560.07.0                                      | SCHUBSTANGE<br>PUSH ROD                       | 1   |    |                                |           |    |                                    |  |
| 64                   |            | 02085.82.0                                      | ZYLINDERSCHRAUBE<br>CHEESE-HEAD SCREW         | 3   |    |                                |           |    |                                    |  |
| 67                   |            | 02090.87.0                                      | ZYLINDERSCHRAUBE<br>CHEESE-HEAD SCREW         | 4   |    |                                |           |    |                                    |  |
| 68                   | ●          | 07700.01.0                                      | MATTSCHIEBENRAHMEN<br>★<br>FOCUSING SCREEN    | 1   |    |                                |           |    |                                    | SIEHE / SEE 2.08.0300<br>DAFUER / FOR THAT 17000.08.0<br>+ 01036.82.0 + 17019.00.0 |
| 70                   |            | 02053.85.0                                      | ZYLINDERSCHRAUBE<br>CHEESE-HEAD SCREW         | 2   |    |                                |           |    |                                    |  |
| 73                   |            | 04266.00.0                                      | DRUCKFEDER<br>SPRING                          | 1   |    |                                |           |    |                                    | DAFUER / FOR THAT 08014.00.0   |
| 74                   |            | 02020.85.0                                      | FLACHKOPFSCHRAUBE<br>PAN-HEAD SCREW           | 6   |    |                                |           |    |                                    |  |
| 75                   | ●          | 04740.41.0                                      | EINSTELLSEITENWAND<br>FOCUSING SIDE PANELL    | 1   |    |                                |           |    |                                    | SIEHE / SEE 2.07.0210  |
| 79                   |            | 02003.82.0                                      | ZYLINDERSCHRAUBE<br>CHEESE-HEAD SCREW         | 2   |    |                                |           |    |                                    |  |
| 84                   |            | 02004.82.0                                      | ZYLINDERSCHRAUBE<br>CHEESE-HEAD SCREW         | 1   |    |                                |           |    |                                    |  |
| 86                   | ●          | 01060.82.1                                      | ZYLINDERSCHRAUBE<br>CHEESE-HEAD SCREW         | 1   |    |                                |           |    |                                    | DAFUER / FOR THAT 01055.82.1   |
| 87                   |            | 02089.82.0                                      | ANSATZSCHRAUBE<br>SHOULDER SCREW              | 1   |    |                                |           |    |                                    |  |
| 90                   | X          | 04711.00.1                                      | KURVE<br>CAM                                  | 1   |    |                                |           |    |                                    |  |
|                      |            |   | FORTSETZUNG 2<br>CONTINUED 2                  |   |    |                                |           |    |                                    |  |

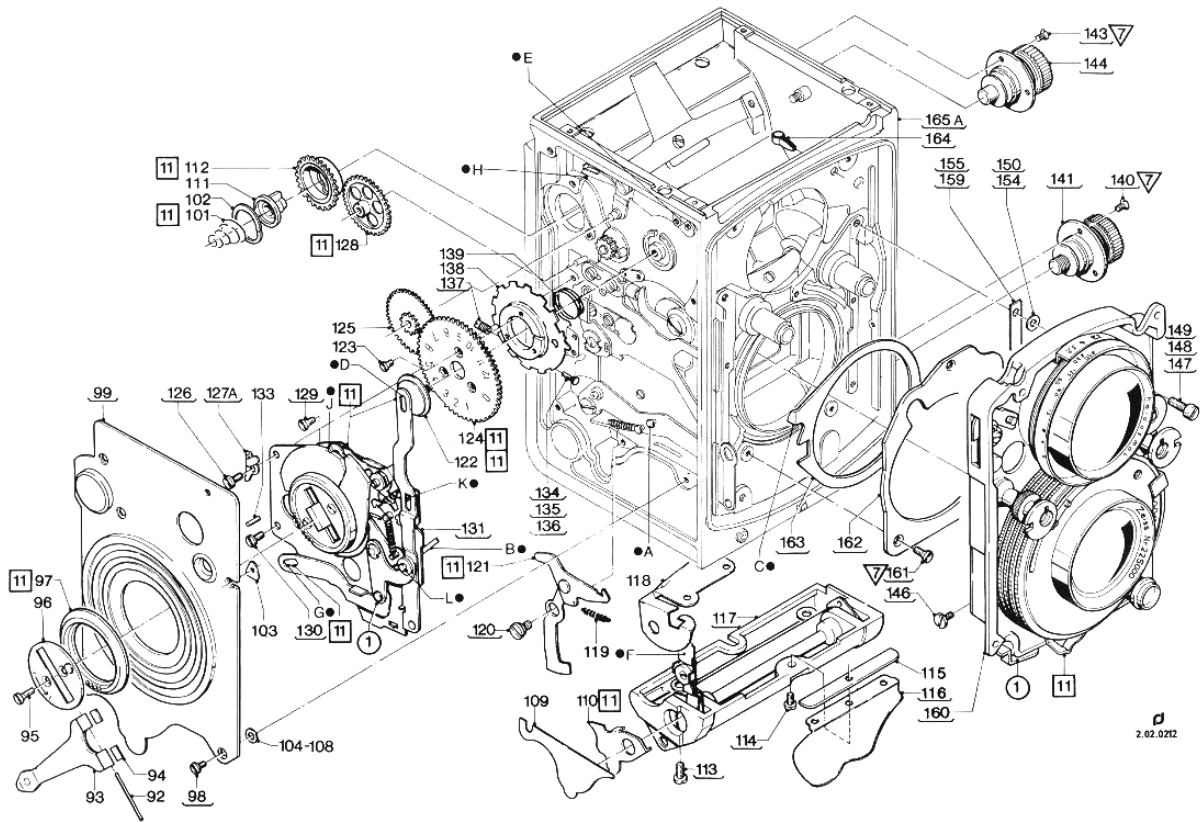




REPARATUR-HINWEISE, JUSTIERANGABEN, SCHMIERPUNKTE

REPAIR AND ADJUSTMENT INSTRUCTIONS, LUBRICATION POINTS

| Rollei<br>Service    |            | ERSATZTEILLISTE<br>PARTSBOOK<br>LISTE DE PIÈCES |   |   |    | 12-74                          | 2.02.0212 |    |                                    |   |
|----------------------|------------|---|---|---|----|--------------------------------|-----------|----|------------------------------------|---|
|                      |            |   |   |   |    | ROLLEIFLEX 3,5 F<br>04560.41.0 |           |    |                                    |   |
| POS.<br>ITEM<br>POS. | X R<br>K ● | SACH-NR.<br>PART-NR.<br>NO. DE PIÈCES           | BENENNUNG<br>DESCRIPTION<br>DÉSIGNATION                   | STÜCK PRO<br>VARIANTE<br>QTY·TYPE<br>PIÈCES PAR<br>VARIANTE |    |                                |           |    | BEMERKUNG<br>REMARK<br>OBSERVATION |   |
|                      |            |   |   | 00  | 01 | 02                             | 03        | 04 | 05                                 |   |
|                      |            |   | FORTSETZUNG 2<br>CONTINUED 2                              |   |    |                                |           |    |                                    |   |
| 98                   |            | 02005.82.0                                      | FLACHKOPFSCHRAUBE<br>PAN-HEAD SCREW                       | 5   |    |                                |           |    |                                    |   |
| 99                   |            | 07000.18.2                                      | KURBELSEITENWAND<br>FILM TRANSPORT. SIDE PANEL            | 1   |    |                                |           |    |                                    | SIEHE / SEE 2.07.0200                                       |
| 113                  |            | 02052.87.0                                      | ZYLINDERSCHRAUBE<br>CHEESE-HEAD SCREW                     | 2   |    |                                |           |    |                                    |   |
| 114                  |            | 02010.87.0                                      | LINSENSCHRAUBE<br>OVAL-HEAD SCREW                         | 1   |    |                                |           |    |                                    |   |
| 116                  |            | 04223.01.0                                      | DRUCKFEDER<br>SPRING                                      | 1   |    |                                |           |    |                                    |   |
| 117                  | ●          | 04000.28.0                                      | TASTWERK<br>★   | 1   |    |                                |           |    |                                    | SIEHE / SEE 2.11.0220<br>L-1949 + 4205-W010                 |
| 117A                 | A          | 07000.28.2                                      | FILM FEELER MECHANISM<br>TASTWERK (PLANGLAS)              |   |    |                                |           | 1  |                                    | DAFUER / FOR THAT 07000.28.3<br>SIEHE / SEE 2.11.0220       |
| 120                  |            | 02057.82.0                                      | FEEL. MECH. OPT. FLAT GLASS<br>ANSATZSCHRAUBE             | 1   |    |                                |           |    |                                    |   |
| 126                  |            | 02003.82.0                                      | SHOULDER SCREW<br>ZYLINDERSCHRAUBE                        | 1   |    |                                |           |    |                                    |   |
| 127                  | ●          | 04194.00.0                                      | CHEESE HEAD SCREW<br>HALTEWINKEL                          | 1   |    |                                |           |    |                                    | DAFUER / FOR THAT POS. 127A                                 |
| 127A                 |            | 07155.00.0                                      | BRACKET<br>HALTEWINKEL                                    |   |    |                                |           | 1  |                                    |   |
| 129                  |            | 02044.82.0                                      | BRACKET<br>SENKSCHRAUBE                                   | 1   |    |                                |           |    |                                    |   |
| 130                  |            | 02003.82.0                                      | COUNTERSUNK SCREW<br>LINSENSCHRAUBE                       | 1   | 1  |                                |           |    |                                    | → 1960  |
| 130A                 |            | 02010.82.0                                      | OVAL-HEAD SCREW<br>LINSENSCHRAUBE                         |   |    |                                |           | 1  |                                    | 1960 →  |
| 131                  | ●          | 07100.42.1                                      | OVAL-HEAD SCREW<br>MONTAGEPLATTE,KPL.                     | 1   |    |                                |           |    |                                    | DAFUER / FOR THAT<br>07150.41.2 01                          |
| 131A                 | ●          | 07150.41.0                                      | ★<br>MECHANISM PLATE PLAN,CPL.<br>MONTAGEPLATTE PLAN,KPL. |   |    |                                |           | 1  |                                    | SIEHE / SEE 2.04.0220<br>DAFUER / FOR THAT<br>07150.41.1 01 |
| 134                  |            | 07157.00.0                                      | ★<br>MECHANISM PLATE PLAN,CPL.<br>DRUCKSTIFT 7,8          | 1   |    |                                |           |    |                                    | (WW)  |
| 135                  |            | 07157.68.0                                      | PIN 7,8<br>DRUCKSTIFT 7,95                                | 1   |    |                                |           |    |                                    | (WW)  |
| 136                  |            | 07157.69.0                                      | PIN 7,95<br>DRUCKSTIFT 8,1                                | 1   |    |                                |           |    |                                    | (WW)  |
| 137                  |            | 07156.00.0                                      | PIN 8,1<br>FUEHRUNGSBUCHSE                                |   |    |                                |           | 1  |                                    |   |
| 140                  |            | 02022.84.0                                      | GUIDE BUSHING<br>LINSENSENKSCHRAUBE                       | 3   |    |                                |           |    |                                    |   |
| 141                  | ●          | 03500.12.1                                      | RAISED-CSK SCREW<br>RUECKSPULKNOPF                        | 1   |    |                                |           |    |                                    | DAFUER / FOR THAT 17000.11.0                                |
| 141A                 | ●          | 14000.11.0                                      | REWIND KNOB<br>RUECKSPULKNOPF                             |   |    |                                |           | 1  |                                    | DAFUER / FOR THAT 17000.11.0                                |
| 142                  | X          | 07058.00.1                                      | REWIND KNOB<br>-BELEDERUNG                                | 1   |    |                                |           |    |                                    |   |
| 143                  |            | 02022.84.0                                      | LEATHER COVERING<br>LINSENSENKSCHRAUBE                    | 3   |    |                                |           |    |                                    |   |
| 144                  | ●          | 03500.14.1                                      | RAISED-CSK. SCREW<br>FEDERKNOPF                           | 1   |    |                                |           |    |                                    | DAFUER / FOR THAT 17000.10.0                                |
| 144A                 | ●          | 14000.10.0                                      | SPOOL KNOB<br>FEDERKNOPF                                  |   |    |                                |           | 1  |                                    | DAFUER / FOR THAT 17000.10.0                                |
| 145                  | X          | 07058.00.1                                      | SPOOL KNOB<br>-BELEDERUNG                                 | 1   |    |                                |           |    |                                    |   |
|                      |            |   | LEATHER COVERING<br><br>FORTSETZUNG 3<br>CONTINUED 3      |   |    |                                |           |    |                                    |   |

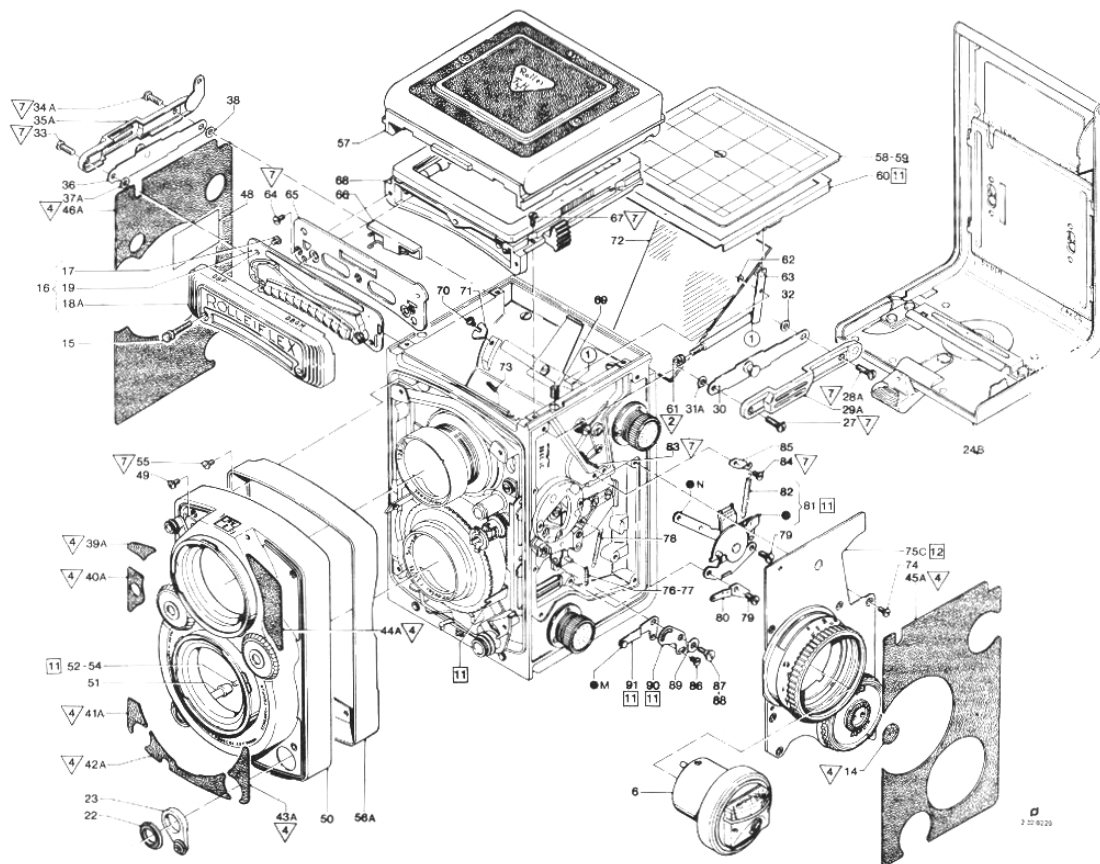


2.02.0212

REPARATUR-HINWEISE, JUSTIERANGABEN, SCHMIERPUNKTE

REPAIR AND ADJUSTMENT INSTRUCTIONS, LUBRICATION POINTS

| POS.<br>ITEM<br>POS. | X R<br>K ● | SACH-NR.<br>PART-NR.<br>NO. DE PIÈCES | BENENNUNG<br>DESCRIPTION<br>DÉSIGNATION                  | STÜCK PRO<br>VARIANTE<br>QTY-TYPE<br>PIÈCES PAR<br>VARIANTE |    |    |    |    | BEMERKUNG<br>REMARK<br>OBSERVATION  |
|----------------------|------------|---------------------------------------|--|---|----|----|----|----|---|
|                      |            |                                       |  | 00  | 01 | 02 | 03 | 04 |   |
|                      |            |                                       | FORTSETZUNG 3<br>CONTINUED 3                             |   |    |    |    |    |   |
| 146                  | X          | 01152.82.1                            | FORMSCHRAUBE<br>SHAPED SCREW                             | 1   |    |    |    |    |   |
| 147                  |            | 01139.82.0                            | ZYLINDERSCHRAUBE M2X4,8<br>CHEESE-HEAD SCREW M2X4,8      | 6   |    |    |    |    | (WW)  |
| 148                  |            | 01146.82.0                            | ZYLINDERSCHRAUBE M2X5,8<br>CHEESE-HEAD SCREW M2X5,8      | 6   |    |    |    |    | (WW)  |
| 149                  |            | 01160.82.0                            | ZYLINDERSCHRAUBE M2,3X5,8<br>CHEESE-HEAD SCREW M2,3X5,8  | -   |    |    |    |    | (NB)  |
| 150                  |            | 03404.00.0                            | UNTERLEGSCHIEBE 0,4<br>WASHER 0,4                        | -   |    |    |    |    | (NB)  |
| 151                  |            | 03403.00.0                            | UNTERLEGSCHIEBE 0,3<br>WASHER 0,3                        | -   |    |    |    |    | (NB)  |
| 152                  |            | 03402.00.0                            | UNTERLEGSCHIEBE 0,2<br>WASHER 0,2                        | -   |    |    |    |    | (NB)  |
| 153                  |            | 03401.00.0                            | UNTERLEGSCHIEBE 0,1<br>WASHER 0,1                        | -   |    |    |    |    | (NB)  |
| 154                  |            | 03400.00.0                            | UNTERLEGSCHIEBE 0,05<br>WASHER 0,05                      | -   |    |    |    |    | (NB)  |
| 155                  |            | 04585.00.0                            | AUSGLEICHLEISTE 0,8<br>ADJUSTING SHIM 0,8                | -   |    |    |    |    | (NB)  |
| 156                  |            | 04586.00.0                            | AUSGLEICHLEISTE 0,4<br>ADJUSTING SHIM 0,4                | -   |    |    |    |    | (NB)  |
| 157                  |            | 04587.00.0                            | AUSGLEICHLEISTE 0,3<br>ADJUSTING SHIM 0,3                | -   |    |    |    |    | (NB)  |
| 158                  |            | 04588.00.0                            | AUSGLEICHLEISTE 0,2<br>ADJUSTING SHIM 0,2                | -   |    |    |    |    | (NB)  |
| 159                  |            | 04589.00.0                            | AUSGLEICHLEISTE 0,1<br>ADJUSTING SHIM 0,1                | -   |    |    |    |    | (NB)  |
| 160                  | ●          | 04790.41.0                            | OBJEKTIVTRAEGER<br>* u μ μ<br>*<br>*<br>*<br>*<br>*<br>* | 1   |    |    |    |    | SIEHE / SEE 2.05.0210<br>04000.44.2-W002<br>04790.41.0-W013<br>04000.50.0-W001<br>04700.47.0-W001<br>L-5074 + 75030.41.0-W002<br>11.072-HS + 11.256<br>20.021 + 20.083<br>20.006 + 20.502 |
| 160A                 | ●          | 04790.41.1                            | LENS CARRIER<br>OBJEKTIVTRAEGER<br>LENS CARRIER          |   | 1  |    |    |    | SIEHE / SEE 2.05.0210   |
| 161                  |            | 02006.82.0                            | SENKSCHRAUBE<br>COUNTERSUNK SCREW                        | 3   |    |    |    |    |   |
| 162                  |            | 04581.00.0                            | LAGERBLECH<br>BEARING PLATE                              | 1   |    |    |    |    |   |
| 163                  | X          | 04580.00.1                            | KOERPERRING<br>HOUSING RING 1,0                          | 1   |    |    |    |    |   |
| 164                  |            | 04584.00.0                            | KABELSCHELLE<br>CLAMP                                    | 1   |    |    |    |    |   |
| 165                  | ●          | 04560.70.0                            | ROLLEIFLEX TEILM.<br>ROLLEIFLEX PREASSY                  | 1   |    |    |    |    | SIEHE / SEE 2.03.0210   |
| 165A                 | ●          | 04560.70.1                            | ROLLEIFLEX TEILM.<br>ROLLEIFLEX PREASSY                  | 1   |    |    |    |    | SIEHE / SEE 2.03.0210   |



REPARATUR-HINWEISE, JUSTIERANGABEN, SCHMIERPUNKTE

REPAIR AND ADJUSTMENT INSTRUCTIONS, LUBRICATION POINTS

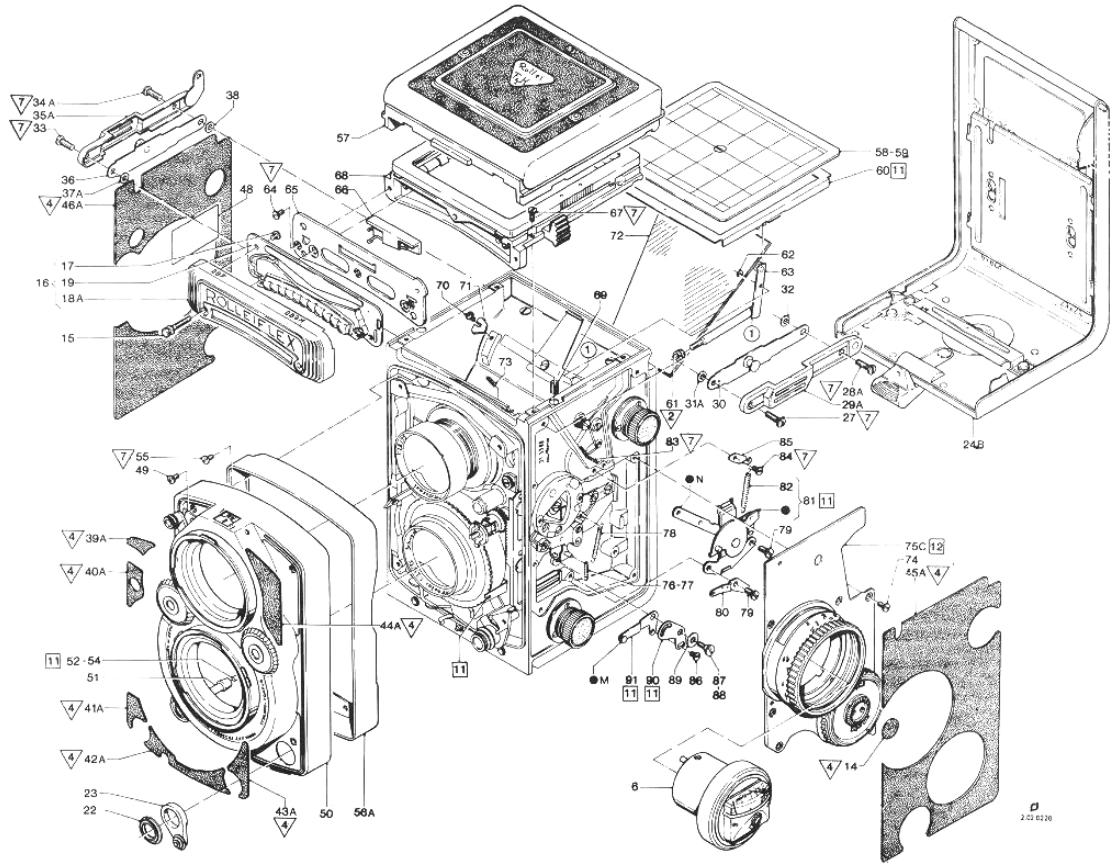
1. Einbau und Prüfung des Messgerätes Pos. 6 sowie Justierung des Filmempfindlichkeitseinstellers Pos. 3 (2.07.0210).
  1. Messgerät in Gebrauchslage halten; Messgerätezeiger muss vor Justiermarke des roten Feldes stehen. Bei Bedarf: An Justierschraube (mit Sicherungsscheibe) nachstellen.
  2. Zeit 1/500 sec., Blende 22, Filmempfindlichkeit auf 15 DIN und Filterfaktor 0 einstellen. Messgerät in Triebknopf einsetzen und mit den Beli-Schrauben Pos. 9 befestigen.
  3. Zeit 1/2 sec., Blende 8, Filmempfindlichkeit auf 15 DIN und Filterfaktor 0 einstellen. Der Folgezeiger vom Messgerät muss jetzt auf der Einstellmarke (kleiner Punkt oder roter Strich) in der vorderen Hälfte des Anzeigebereiches stehen. Bei Bedarf: 2 Schrauben unter Beleuderung Pos. 14 lösen und durch Verdrehen des Rändelringes den Folgezeiger auf Einstellmarke justieren. Blende 8 von 3,5 und 22 aus mehrmals einstellen. Der innere Kreis des Folgezeigers muss immer über der Einstellmarke des Einstellbereiches liegen.
  4. Filmempfindlichkeitseinsteller prüfen. Filterfaktor 0 einstellen: Die Filmempfindlichkeit muss sich am Rändelring mit Sicherheit auf 33 DIN einstellen lassen. Filterfaktor 3 einstellen: Die Filmempfindlichkeit muss sich am Rändelring mit Sicherheit auf 12 DIN einstellen lassen.
  5. Zeit 1/500 sec., Blende 22, Filterfaktor 0 und Filmempfindlichkeit 33 DIN einstellen.
 

**Beachte:** In dieser Stellung darf bei Betätigung der Blendeneinstellung kein toter Gang des Folgezeigers bemerkbar sein. Bei Bedarf Abschlusskasten abnehmen und Differential in anderer Stellung wieder einsetzen.

1. Fitment and testing of meter item 6 as well as adjustment of film speed adjuster item 3 (2.07.0210).
  1. Hold meter in normal position of use; meter pointer must stop before the adjustment mark of the red panel. If necessary: Adjust with adjusting screw (with lock washer).
  2. Set shutter speed 1/500 sec. f/22 film speed to 15 DIN and filter factor to 0. Insert meter in drive knob and secure with exposure meter screws item 9.
  3. Set shutter speed 1/2 sec., f/8, film speed to 15 DIN and filter factor to 0. The follow-up pointer of the meter must now stop at the adjustment mark (small dot or red line) in the front half of the indicator range. If necessary: Slacken 2 screws under leatherette item 14 and adjust follow-up pointer to adjustment mark by turning the knurled ring. Set several times to f/8 from f/3.5 and f/22. The inner circle of the follow-up pointer must always be over the adjustment mark of the adjustment range.
  4. Check film speed adjuster. Set filter factor 0: It must be possible to set the film speed positively to 33 DIN with the knurled ring. Set filter factor 3: It must be possible to set the film speed positively to 12 DIN with the knurled ring.
  5. Set shutter speed 1/500 sec., f/22, filter factor 0 and film speed 33 DIN.
 

**Note:** In this position no dead travel of the follow-up pointer should be perceptible on operating the aperture setting. If necessary: Remove terminal box and refit differential in different position.

| Rollei<br>Service            |            | ERSATZTEILLISTE<br>PARTSBOOK<br>LISTE DE PIÈCES |   |   |    |    | 12-74                          | 2.02.0220 |                                    |                             |
|------------------------------|------------|---|---|---|----|----|--------------------------------|-----------|------------------------------------|-----------------------------|
|                              |            |   |   |   |    |    | ROLLEIFLEX 3,5 F<br>14000.41.1 |           |                                    |                             |
| POS.<br>ITEM<br>POS.         | X R<br>K ● | SACH-NR.<br>PART-NR.<br>NO. DE PIÈCES           | BENENNUNG<br>DESCRIPTION<br>DÉSIGNATION | STÜCK PRO<br>VARIANTE<br>QTY-TYPE<br>PIÈCES PAR<br>VARIANTE |    |    |                                |           | BEMERKUNG<br>REMARK<br>OBSERVATION |                             |
|                              |            |   |   | 00  | 01 | 02 | 03                             | 04        | 05                                 |                             |
| 1                            | ●          | 14000.41.0 01                                   | ROLLEIFLEX 3.5 F PLAN                   | -   |    |    |                                |           |                                    | 1960 → 1966                 |
| 1A                           | ●          | 14000.41.1 01                                   | ROLLEIFLEX 3.5 F FLAT GLASS             | -   |    |    |                                |           |                                    | 1966 →                      |
| 2                            | ●          | 14000.41.0 02                                   | ROLLEIFLEX 3.5 F PLAN/220               | -   |    |    |                                |           |                                    | 1965 → 1966                 |
| 2A                           | ●          | 14000.41.1 02                                   | ROLLEIFLEX 3.5 F FL-GL / 220            | -   |    |    |                                |           |                                    | 1966 →                      |
| 3                            | ●          | 14000.41.1 04                                   | ROLLEIFLEX 3.5 F 220                    | -   |    |    |                                |           |                                    | 1966 →                      |
| 4                            | ●          | 14000.41.1 05                                   | ROLLEIFLEX 3.5 F OHNE BELI.             | -   |    |    |                                |           |                                    | 1966 → 11.136 + 11.269      |
| 5                            | ●          |   | ROLLEIFLEX 3,5 F W/O METER              |   |    |    |                                |           |                                    |                             |
| 6                            | K          | 04895.41.0                                      | ROLLEIFLEX 3,5 F W/O METER              | 1   |    |    |                                |           |                                    |                             |
|                              |            |   | FILMSPULE B2-8                          |   |    |    |                                |           |                                    |                             |
|                              |            |   | FILM SPOOL B2-8                         |   |    |    |                                |           |                                    |                             |
|                              |            |   | MESSGERÄT                               | 1   | 1  |    |                                |           |                                    | PAARIG ZU / PAIRED TO       |
|                              |            |   | *                                       |   |    |    |                                |           |                                    | POS.19                      |
|                              |            |   | METER MOVEMENT                          |   |    |    |                                |           |                                    | 25.009 75310.41.0-W001      |
| 7                            |            | 01124.82.0                                      | -SENKSCHRAUBE                           | 3   | 3  |    |                                |           |                                    |                             |
|                              |            |   | COUNTERSUNK SCREW                       |   |    |    |                                |           |                                    |                             |
| 8                            |            | 04895.01.0                                      | -GEHÄUSEKAPPE                           | 1   | 1  |    |                                |           |                                    |                             |
|                              |            |   | METER COVER                             |   |    |    |                                |           |                                    |                             |
| 9                            |            | 75043.00.0                                      | -BELI-SCHRAUBE                          | 2   | 2  |    |                                |           |                                    |                             |
|                              |            |   | LIGHT-METER SCREW                       |   |    |    |                                |           |                                    |                             |
| 10                           |            | 01088.85.0                                      | ZYLINDERSCHRAUBE                        |   |    | 3  | 3                              |           |                                    |                             |
|                              |            |   | CHEESE-HEAD SCREW                       |   |    |    |                                |           |                                    |                             |
| 11                           | X          | 04776.00.1                                      | DRUCKRING                               |   |    | 1  | 1                              |           |                                    |                             |
|                              |            |   | PRESSURE RING                           |   |    |    |                                |           |                                    |                             |
| 12                           | X          | 07000.26.2                                      | FILM-EINSTELLSCHEIBE                    |   |    | 1  | 1                              |           |                                    |                             |
|                              |            |   | FILM INDEX DIAL                         |   |    |    |                                |           |                                    |                             |
| 13                           |            | 04775.00.0                                      | SCHEIBE                                 |   |    | 1  | 1                              |           |                                    |                             |
|                              |            |   | WASHER                                  |   |    |    |                                |           |                                    |                             |
| 14                           | X          | 04737.00.1                                      | BELEDERUNG                              | 1   | 1  |    |                                |           |                                    |                             |
|                              |            |   | LEATHER COVERING                        |   |    |    |                                |           |                                    |                             |
| 15                           |            | 17019.00.0                                      | FORMSCHRAUBE                            | 2   |    |    |                                |           |                                    | 04000.48.2-W003             |
|                              |            |   | SHAPED SCREW                            |   |    |    |                                |           |                                    |                             |
| 16                           | ●          | 04560.13.1                                      | KAMERASCHILD                            | 1   | 1  |    |                                |           |                                    | → 1970                      |
|                              |            |   | NAME PLATE                              |   |    |    |                                |           |                                    |                             |
| 16A                          | ●          | 17000.07.2                                      | KAMERASCHILD                            | 1   | 1  |    |                                |           |                                    | 1970 →                      |
|                              |            |   | NAME PLATE                              |   |    |    |                                |           |                                    |                             |
| 17                           |            | 01069.82.0                                      | -LINSENSCHRAUBE                         | 2   | 2  |    |                                |           |                                    |                             |
|                              |            |   | OVAL-HEAD SCREW                         |   |    |    |                                |           |                                    |                             |
| 18                           | ●          | 04745.00.1                                      | -KAMERASCHILD                           | 1   | 1  |    |                                |           |                                    | → 1970                      |
|                              |            |   | NAME PLATE                              |   |    |    |                                |           |                                    | DAFUER / FOR THAT POS. 18L  |
| 18A                          | ●          | 17018.00.2                                      | -KAMERASCHILD                           | 1   | 1  |    |                                |           |                                    | 1970 →                      |
|                              |            |   | NAME PLATE                              |   |    |    |                                |           |                                    | DAFUER / FOR THAT POS. 18L  |
| 18L                          |            | 75042.00.0                                      | -KAMERASCHILD DBP/DBGM                  | 1   | 1  |    |                                |           |                                    |                             |
|                              |            |   | NAME PLATE DBP/DBGM                     |   |    |    |                                |           |                                    |                             |
| 19                           | K          | 04746.00.0                                      | -FOTOELEMENT                            | 1   | 1  |    |                                |           |                                    | PAARIG ZU / PAIRED TO POS.6 |
|                              |            |   | PHOTO CELL                              |   |    |    |                                |           |                                    |                             |
| 20                           | ●          | 04745.00.1                                      | KAMERASCHILD                            | 1   | 1  |    |                                |           |                                    | → 1970                      |
|                              |            |   | NAME SCHILD                             |   |    |    |                                |           |                                    | DAFUER / FOR THAT POS. 20L  |
| 20A                          | ●          | 17018.00.2                                      | KAMERASCHILD                            |   |    | 1  | 1                              |           |                                    | 1970 →                      |
|                              |            |   | NAME PLATE                              |   |    |    |                                |           |                                    | DAFUER/ FOR THAT POS. 20L   |
| 20L                          |            | 75042.00.0                                      | KAMERASCHILD DBP/DBGM                   |   |    | 1  | 1                              |           |                                    |                             |
|                              |            |   | NAME PLATE DBP/DBGM                     |   |    |    |                                |           |                                    |                             |
| 21                           |            | 08051.00.0                                      | ZIERLEISTE                              |   |    | 1  | 1                              |           |                                    |                             |
|                              |            |   | EDGE TRIM                               |   |    |    |                                |           |                                    |                             |
| 22                           | X          | 04474.00.2                                      | KONTAKTVORSCHRAUBRING                   | 1   |    |    |                                |           |                                    | 04000.47.1-W001             |
|                              |            |   | CONTACT RETAINING RING                  |   |    |    |                                |           |                                    |                             |
| 23                           | X          | 07485.01.2                                      | KONTAKTSPERRHEBEL                       | 1   |    |    |                                |           |                                    |                             |
|                              |            |   | SYNC. CONTACT LOCK LEVER                |   |    |    |                                |           |                                    |                             |
| FORTSETZUNG 1<br>CONTINUED 1 |            |   |   |   |    |    |                                |           |                                    |                             |



**REPARATUR-HINWEISE, JUSTIERANGABEN, SCHMIERPUNKTE**

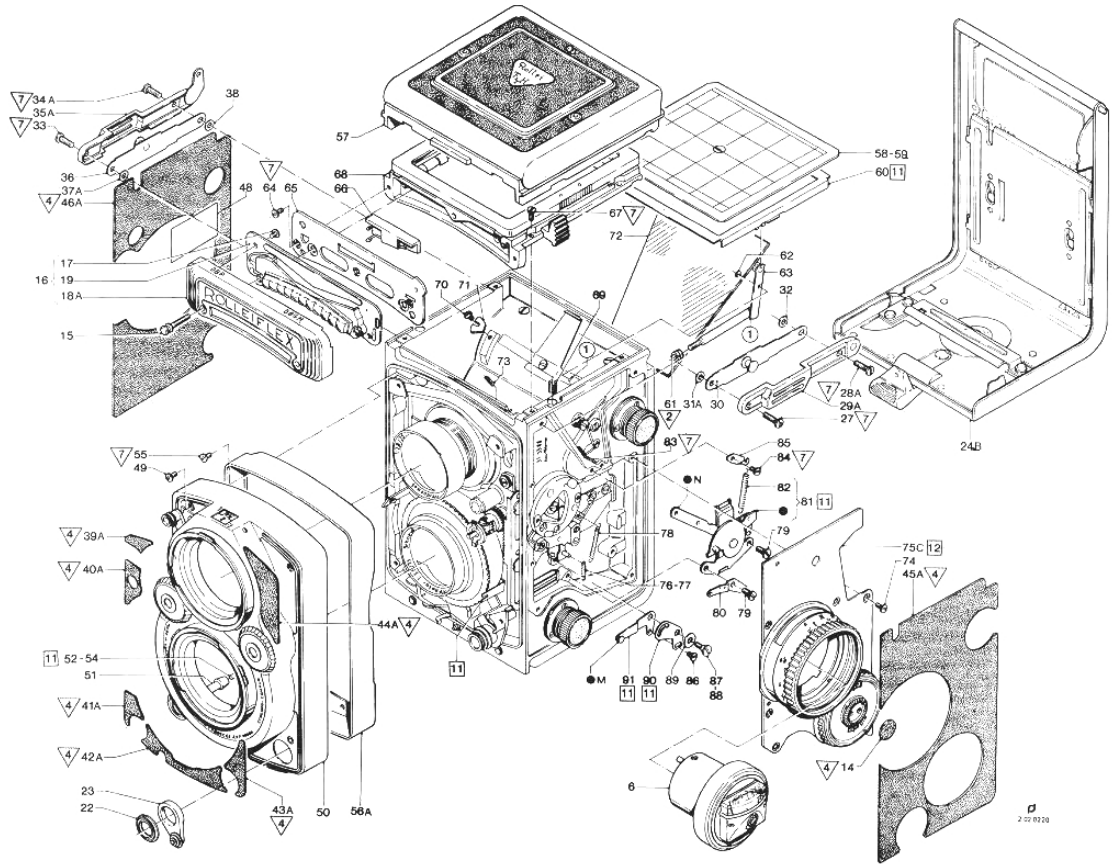
**REPAIR AND ADJUSTMENT INSTRUCTIONS, LUBRICATION POINTS**

2. Kamerarückwand Pos. 24 B an Kamera ansetzen und Verriegelung prüfen.  
Bei Bedarf: Formschraube Pos. 68 (2.03.0222) erneuern.  
Filmkanal mit Kollimator prüfen:  
 $0,45 \pm 0,03 \text{ mm} \triangleq \pm 3$  Teilstriche (75/80 Skala)
3. Aufsetzen des Abschlusskastens Pos. 50 auf Kamerakörper.
  1. Differential Pos. 4 (2.05.0220) aus Objektivträger entnehmen und Lichtwert- sowie Blendenschieber Pos. 8 und Pos. 10 (2.05.0220) auf unteren Anschlag bringen.  
Verschluss auf 1/500 sec. und Blende 22 einstellen sowie Schaltstange Pos. 23 (2.05.0220) bei abgelaufenem Verschluss auf Mitte zwischen Sucherobjektiv und Rand vom Objektivträger ausrichten.
  2. Funktion vom Abschlusskasten nachprüfen.  
Differential in Blendenknopf einsetzen und Gang prüfen. Abschlusskasten auf 1/500 sec. und Blende 22 einstellen. Differential entnehmen und in gleicher Stellung in Objektivträger bei Stellung 0,9 m einsetzen.
  3. Am Abschlusskasten den MXV-Hebel auf Stellung Elektronenblitz schalten sowie Schlitz vom Auslösebolzen Pos. 51 waagrecht ausrichten. Abschlusskasten aufsetzen.  
**Beachte:**
    1. Richtigen Eingriff vom MXV-Hebel, Blendenhebel, Differential, Niet vom Verschlusseinstellring sowie Auslösehebel.
    2. Auslösebolzen Pos. 51 darf kein Höhenspiel haben. Bei Bedarf mit Zylinderstift Pos. 52-54 ausgleichen.
    3. Gleichmässigen Spalt zwischen Abschlusskasten und Abdeckrahmen Pos. 56 A.

2. Fit camera back item 24B on camera and check latch.  
If necessary: Renew shaped screw item 68 (2.03.0222).  
Check film channel with Collimator:  
 $0,45 \pm 0,03 \text{ mm} \triangleq \pm 3$  graduations (75/80 scale)
3. Fit terminal box item 50 on camera body.
  1. Remove differential item 4 (2.05.0220) from lens carrier and set exposure value and aperture slides item 8 and item 10 (2.05.0220) to bottom stop.  
Set shutter to 1/500 sec. and f/22 and align control rod item 23 (2.05.0220) with shutter released to the center between viewfinder lens and edge of lens carrier.
  2. Check function of terminal box.  
Fit differential in aperture knob and check travel.  
Set terminal box to 1/500 sec. and f/22. Remove differential and insert in the same position in lens carrier at 0,9 m setting.
  3. Move the MXV-lever on the terminal box to electronic flash position and align slot of release pin item 51 horizontally. Fit terminal box.  
**Note:**
    1. Correct engagement of MXV-lever, aperture lever, differential, rivet of shutter setting ring and release lever.
    2. Release pin item 51 should have no vertical play. If necessary correct with cylindrical pin item 52-54.
    3. Uniform gap between terminal box and masking frame item 56A.

| POS.<br>ITEM<br>POS. | X R<br>K ● | SACH-NR.<br>PART-NR.<br>NO. DE PIÈCES | BENENNUNG<br>DESCRIPTION<br>DÉSIGNATION        | STÜCK PRO<br>VARIANTE<br>QTY-TYPE<br>PIÈCES PAR<br>VARIANTE |    |    |    |    | BEMERKUNG<br>REMARK<br>OBSERVATION  |
|----------------------|------------|---------------------------------------|--|---|----|----|----|----|---|
|                      |            |                                       |  | 00  | 01 | 02 | 03 | 04 |   |
|                      |            |                                       | FORTSETZUNG 1<br>CONTINUED 1                   |   |    |    |    |    |   |
| 24                   |            | 14800.41.0                            | KAMERARUECKWAND<br>BACK COVER                  | 1   | 1  |    |    |    | (WW) → 1966   |
| 24A                  |            | 14800.41.0                            | KAMERARUECKWAND<br>BACK COVER                  | 1   |    |    |    |    | SIEHE / SEE 2.09.0200<br>→ 1971   |
| 24B                  |            | 14800.41.1                            | KAMERARUECKWAND<br>★<br>★<br>★                 | 1   |    |    |    |    | SIEHE / SEE 2.09.0200<br>1971 →<br>11.072-HS + 11.258<br>11.259 + 11.072-005<br>04550.41.0-W010 |
| 25                   |            | 94800.41.0                            | BACK COVER<br>PLANGLASRUECKWAND                |   |    | 1  |    |    | SIEHE / SEE 2.09.0220<br>(WW) → 1966  |
| 26                   |            | 07002.00.0                            | FL. GLASS PLATE BACK<br>PLANGLAS               |   |    | 1  |    |    | SIEHE / SEE 2.09.0210<br>(NB) → 1966  |
| 27                   | X          | 01243.84.1                            | OPTICAL FLAT GLASS<br>LINSENSCHRAUBE           | 1   | 1  |    |    |    | → 1966  |
| 28                   |            | 01244.84.0                            | OVAL-HEAD SCREW<br>LINSENSCHRAUBE              | 1   | 1  |    |    |    | → 1966  |
| 28A                  | X          | 01243.84.1                            | OVAL-HEAD SCREW<br>LINSENSCHRAUBE              | 2   |    |    |    |    | 1966 →  |
| 29                   | ●          | 07000.37.1                            | OVAL-HEAD SCREW<br>RIEMENHALTER LINKS<br>★     | 1   |    |    |    |    | → 1966<br>DAFUER / FOR THAT<br>POS. 29A+30  |
| 29A                  | X          | 07000.37.2                            | NECK STRAP HOLDER LEFT<br>RIEMENHALTER LINKS   | 1   |    |    |    |    | 1966 →  |
| 30                   |            | 07391.01.1                            | NECK STRAP HOLDER LEFT<br>STEGPLATTE LINKS     | 1   |    |    |    |    | 1966 →  |
| 31                   |            | 08036.00.0                            | WEB PLATE LEFT<br>BUCHSE                       | 1   | 1  |    |    |    | → 1966  |
| 31A                  |            | 03408.00.0                            | BUSHING<br>UNTERLEGSCHIEBE 0,8                 | 1   |    |    |    |    | 1966 →  |
| 32                   |            | 03408.00.0                            | WASHER 0,8<br>UNTERLEGSCHIEBE 0,8              | 1   |    |    |    |    |   |
| 33                   | X          | 01243.84.1                            | WASHER 0,8<br>LINSENSCHRAUBE                   | 1   | 1  |    |    |    | → 1966  |
| 34                   |            | 01244.84.0                            | OVAL-HEAD SCREW<br>LINSENSCHRAUBE              | 1   | 1  |    |    |    | → 1966  |
| 34A                  | X          | 01243.84.1                            | OVAL-HEAD SCREW<br>LINSENSCHRAUBE              | 2   |    |    |    |    | 1966 →  |
| 35                   | ●          | 07000.36.1                            | OVAL-HEAD SCREW<br>RIEMENHALTER RECHTS<br>★    | 1   |    |    |    |    | → 1966<br>DAFUER / FOR THAT<br>POS. 35A+36  |
| 35A                  | X          | 07000.36.2                            | NECK STRAP HOLDER RIGHT<br>RIEMENHALTER RECHTS | 1   |    |    |    |    | 1966 →  |
| 36                   |            | 07390.01.1                            | NECK STRAP HOLDER RIGHT<br>STEGPLATTE RECHTS   | 1   |    |    |    |    | 1966 →  |
| 37                   |            | 08036.00.0                            | WEB PLATE RIGHT<br>BUCHSE                      | 1   | 1  |    |    |    | → 1966  |
| 37A                  |            | 03408.00.0                            | BUSHING<br>UNTERLEGSCHIEBE 0,8                 | 1   |    |    |    |    | 1966 →  |
| 38                   |            | 03408.00.0                            | WASHER 0,8<br>UNTERLEGSCHIEBE 0,8              | 1   |    |    |    |    |   |
|                      |            |                                       | FORTSETZUNG 2<br>CONTINUED 2                   |   |    |    |    |    |   |





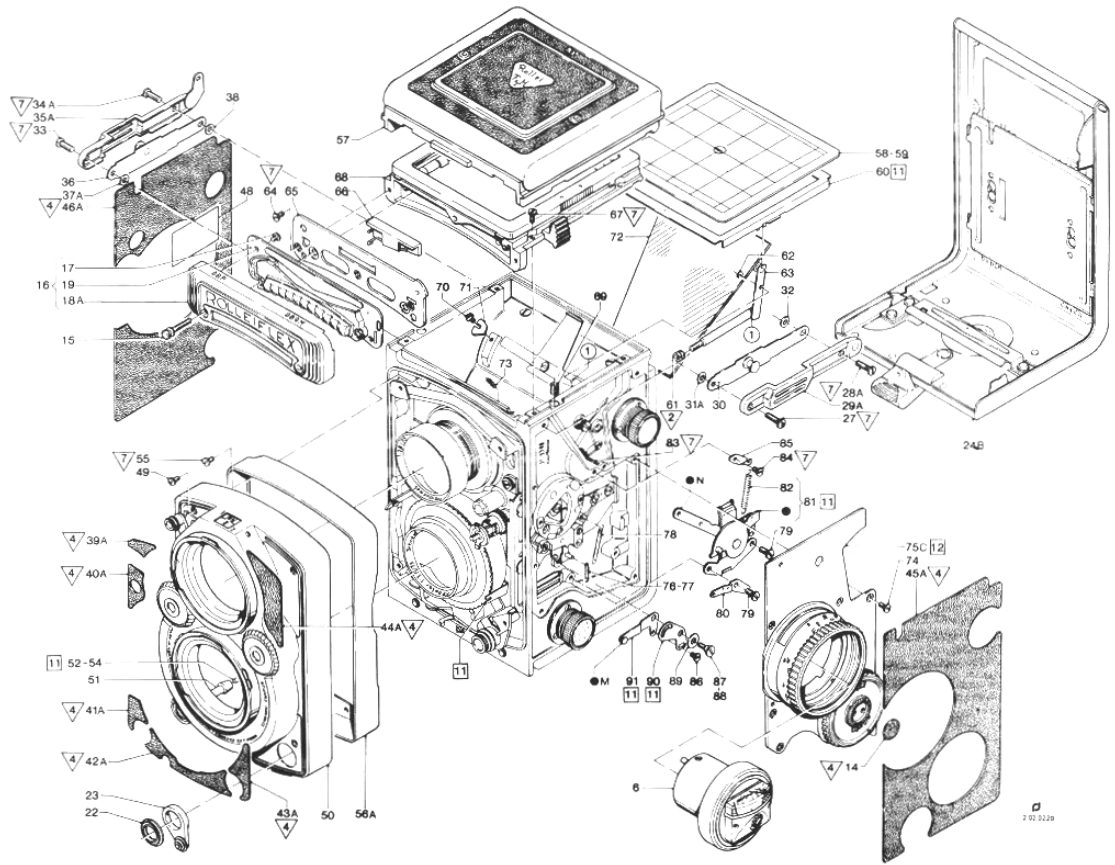
**REPARATUR-HINWEISE, JUSTIERANGABEN, SCHMIERPUNKTE**

**REPAIR AND ADJUSTMENT INSTRUCTIONS, LUBRICATION POINTS**

4. In  $\infty$  - Stellung soll der Abstand zwischen Abschlusskasten und Kamerakörper ca. 0,4 mm betragen.  
Bei Bedarf: Abschlusskasten auf Höhe abschlagen. Gleichmässigen Abstand mit Unterscheiben Pos. 104-108 ausgleichen.
4. Funktion des Abschlusskastens prüfen.  
Gang und Rastung der Einstellräder sowie Stellung der Zahlen im Blickfenster prüfen.  
**Beachte:** Zeiteinstellung 60 sec., Blende von 22 auf 16 verstellen; Blende muss bei Zeitverstellung stehenbleiben. Blendenring muss bei Zeitverstellung im grünen Bereich mitgenommen werden.  
Laufzeit und Ablauf vom Vorlaufwerk prüfen.
4. Sucherobjektiv mit Spiegeleinsatz auf  $\infty$  einstellen:  $\pm 4$  Teilstriche (75/80 Skala)  
**Beachte:** → 1972 Konterring Pos. 13 (2.05.0220) am Sucherobjektiv fest anziehen.
5. Maske 12 Pos. 60 mit Nutmutter Pos. 61 so justieren, dass Maske 12 in  $\infty$ - und 0,9 m-Stellung im Mattscheibenrahmen nicht anschlägt. Nutmutter mit  $\nabla$  sichern.
6. Schildplatte Pos. 65 montieren. Mit Lehre Schildplatte sowie Rastung vom Sperrgriff Pos. 8 (2.08.0300) justieren bzw. prüfen.
7. Beim Einbau der Einstellseitenwand Pos. 75C auf richtigen Eingriff des Triebhebels Pos. 17A (2.03.0220), der Schwenkarme Pos. 18 und Pos. 19 (2.03.0220) und des Filmempfindlichkeitseinstellers Pos. 3 (2.07.0210) achten.  
**Beachte:**
  1. Gleichmässige Öffnung der Schärfentiefeanzeige. Bei Bedarf an den Schwenkarmen durch Biegen justieren.

4. In  $\infty$  position the distance between terminal box and camera body should be approximately 0,4 mm.  
If necessary: Correct terminal box for height. Ensure uniform distance with shims items 104 to 108.
4. Check function of terminal box.  
Check travel and engagement of setting wheels as well as position of the figures in the window.  
**Note:** Set time exposure 60 sec., aperture from f/22 to f/16; aperture must remain stationary during shutter setting. Aperture ring must move in the green area during shutter setting.  
Check running time and operation of self timer.
4. Set viewfinder lens to  $\infty$  with reflector insert:  $\pm 4$  graduations (75/80 scale)  
**Note:** → 1972 secure lock ring item 13 (2.05.0220) on viewfinder lens.
5. Adjust mask 12 item 60 with slotted nut item 61 so that mask 12 in  $\infty$  and 0.9 m setting does not touch focusing screen frame. Lock slotted nut with  $\nabla$ .
6. Fit plate item 65. Adjust and check plate and engagement of locking handle item 8 (2.08.0300) with gauge.
7. When fitting adjustment side panel item 75C ensure correct engagement of drive lever item 17A (2.03.0220), of swivel arms item 18 and item 19 (2.03.0220) and of the film speed adjuster item 3 (2.07.0210).  
**Note:**
  1. Adjust uniform opening of depth of field indicator. If necessary, at the swivel arms by bending.

| Rollei<br>Service    |            | ERSATZTEILLISTE<br>PARTSBOOK<br>LISTE DE PIÈCES |   |   |    |    | 12-74            | 2.02.0222 |                                    |   |
|----------------------|------------|---|---|---|----|----|------------------|-----------|------------------------------------|---|
|                      |            |   |   |   |    |    | ROLLEIFLEX 3,5 F |           | 14000.41.1                         |   |
| POS.<br>ITEM<br>POS. | X R<br>K ● | SACH-NR.<br>PART-NR.<br>NO. DE PIÈCES           | BENENNUNG<br>DESCRIPTION<br>DÉSIGNATION           | STÜCK PRO<br>VARIANTE<br>QTY-TYPE<br>PIÈCES PAR<br>VARIANTE |    |    |                  |           | BEMERKUNG<br>REMARK<br>OBSERVATION |   |
|                      |            |   |   | 00  | 01 | 02 | 03               | 04        | 05                                 |   |
|                      |            |   | FORTSETZUNG 2<br>CONTINUED 2                      |   |    |    |                  |           |                                    |   |
| 39                   |            | 17631.00.0                                      | LEDERFOLIE<br>LEATHERETTE                         | 1   | 1  |    |                  |           |                                    | → 1966  |
| 39A                  |            | 17631.00.1                                      | BELEDERUNG<br>LEATHER COVERING                    | 1   |    |    |                  |           |                                    | 1966 →  |
| 40                   |            | 17630.00.0                                      | LEDERFOLIE<br>LEATHERETTE                         | 1   | 1  |    |                  |           |                                    | → 1966  |
| 40A                  |            | 17630.00.1                                      | BELEDERUNG<br>LEATHER COVERING                    | 1   |    |    |                  |           |                                    | 1966 →  |
| 41                   |            | 04874.00.0                                      | LEDERFOLIE<br>LEATHERETTE                         | 1   | 1  |    |                  |           |                                    | → 1966  |
| 41A                  |            | 04874.00.1                                      | BELEDERUNG<br>LEATHER COVERING                    | 1   |    |    |                  |           |                                    | 1966 →  |
| 42                   |            | 04873.00.0                                      | LEDERFOLIE<br>LEATHERETTE                         | 1   | 1  |    |                  |           |                                    | → 1966  |
| 42A                  |            | 04873.00.1                                      | BELEDERUNG<br>LEATHER COVERING                    | 1   |    |    |                  |           |                                    | 1966 →  |
| 43                   |            | 04875.00.0                                      | LEDERFOLIE<br>LEATHERETTE                         | 1   | 1  |    |                  |           |                                    | → 1966  |
| 43A                  |            | 04875.00.1                                      | BELEDERUNG<br>LEATHER COVERING                    | 1   |    |    |                  |           |                                    | 1966 →  |
| 44                   |            | 17632.00.0                                      | LEDERFOLIE<br>LEATHERETTE                         | 1   | 1  |    |                  |           |                                    | → 1966  |
| 44A                  |            | 17632.00.1                                      | BELEDERUNG<br>LEATHER COVERING                    | 1   |    |    |                  |           |                                    | 1966 →  |
| 45                   | X          | 04738.00.1                                      | LEDERFOLIE<br>LEATHERETTE                         | 1   | 1  |    |                  |           |                                    | → 1966  |
| 45A                  |            | 04738.00.2                                      | BELEDERUNG<br>LEATHER COVERING                    | 1   |    |    |                  |           |                                    | 1966 →  |
| 46                   | X          | 04242.00.2                                      | LEDERFOLIE<br>LEATHERETTE                         | 1   |    |    |                  |           |                                    | → 1966  |
| 46A                  |            | 04289.00.1                                      | BELEDERUNG<br>LEATHER COVERING                    | 1   |    |    |                  |           |                                    | 1966 →  |
| 47                   |            | 04289.00.0                                      | LEDERFOLIE<br>LEATHERETTE                         |   |    | 1  |                  |           |                                    | 1965 → 1966   |
| 48                   |            | 03157.00.0                                      | DECKSCHEIBE<br>COVER PLATE                        | 1   |    |    |                  |           |                                    |   |
| 49                   |            | 01036.82.0                                      | ZYLINDERSCHRAUBE<br>CHEESE-HEAD SCREW             | 4   |    |    |                  |           |                                    |   |
| 50                   | X          | 14600.41.1                                      | ABSCHLUSSKASTEN KPL.<br>★                         | 1   |    |    |                  |           |                                    | SIEHE / SEE 2.06.0220<br>W-SK315 + 04560.49.0-W001<br>W-SK477 |
| 51                   | X          | 07519.00.2                                      | FRONT COVER CPL.<br>AUSLOESEBOLZEN<br>RELEASE PIN | 1   |    |    |                  |           |                                    |   |
| 52                   |            | 00773.82.0                                      | ZYLINDERSTIFT 7,8<br>PIN 7,8                      | 1   |    |    |                  |           |                                    | (WW)  |
| 53                   |            | 00774.82.0                                      | ZYLINDERSTIFT 8,0<br>PIN 8,0                      | 1   |    |    |                  |           |                                    | (WW)  |
| 54                   |            | 00775.82.0                                      | ZYLINDERSTIFT 8,3<br>PIN 8,3                      | 1   |    |    |                  |           |                                    | (WW)  |
| 55                   |            | 01087.82.0                                      | LINSENSCHRAUBE<br>OVAL-HEAD SCREW                 | 4   |    |    |                  |           |                                    |   |
| 56                   | ●          | 04590.00.1                                      | ABDECKRAHMEN 12,8 MM<br>COVER FRAME 12,8 MM       | 1   |    |    |                  |           |                                    | → 1967  |
| 56A                  |            | 04590.00.2                                      | ABDECKRAHMEN 13,3 MM<br>COVER FRAME 13,3 MM       | 1   |    |    |                  |           |                                    | DAFUER / FOR THAT POS.56A<br>1967 →                           |
|                      |            |   | FORTSETZUNG 3<br>CONTINUED 3                      |   |    |    |                  |           |                                    |   |



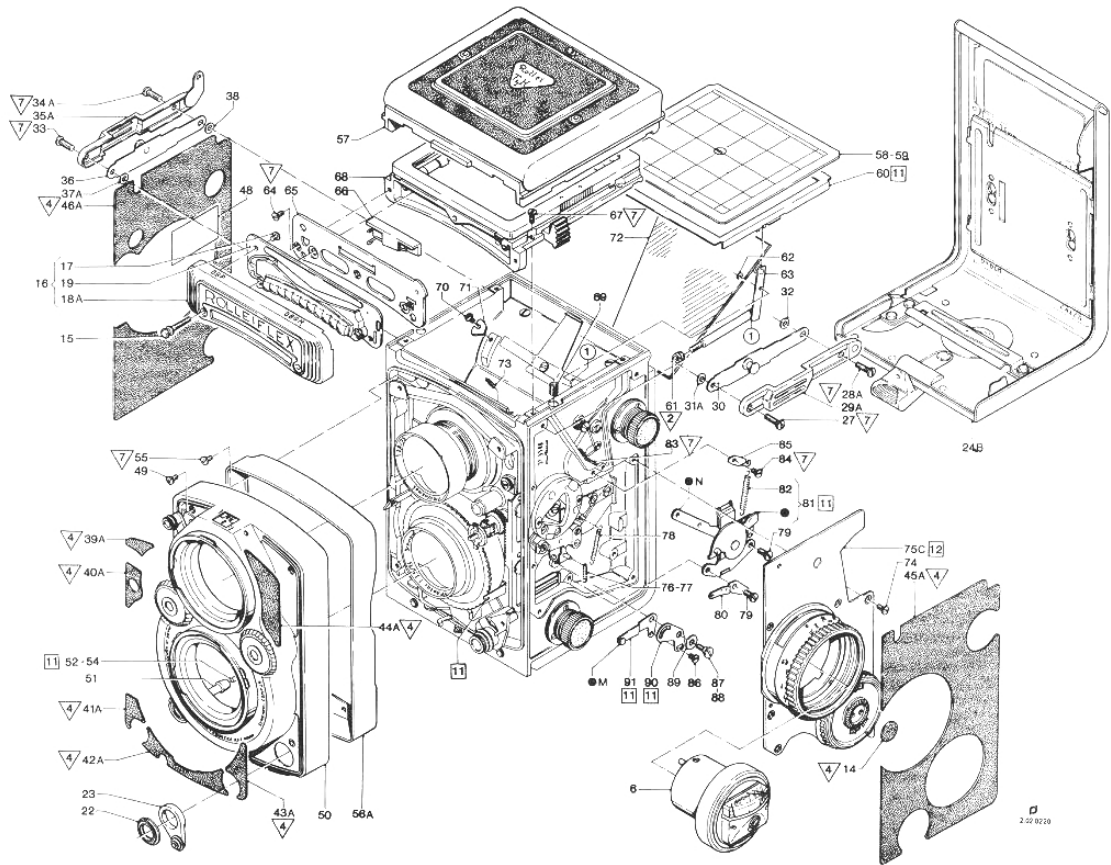
REPARATUR-HINWEISE, JUSTIERANGABEN, SCHMIERPUNKTE

REPAIR AND ADJUSTMENT INSTRUCTIONS, LUBRICATION POINTS

2. Bei aufgesetztem Abschlusskasten Pos. 50 Spaltbreite (Blende 3,5  $\Delta$  4,6 mm) prüfen.  
Bei Bedarf: An Kurve Pos. 90 justieren.
3. Bei Weiterrutschen der Blende durch Zeitverstellung nach Bedarf Scheibe Pos. 89 und Ansatzschraube Pos. 88 montieren.
8. Ansatzniet  $\bullet$  M vom Hebel Pos. 91 in Blendenschieber Pos. 10 (2.05.0220) und Ansatzniet  $\bullet$  N vom Kurventräger Pos. 81 in Lichtwertschieber Pos. 8 (2.05.0220) einsetzen. Leichtgängigkeit der Hebel prüfen.
9. Mit Testfilm Funktion des Filmtransportes nachprüfen.  
**Beachte:** Bei eingebauter Kurbelseitenwand 220 Pos. 100 mit Rollfilm 120 und 220 prüfen.
10. Hilfsscheibe und Hilfsauslösering Pos. 4 und Pos. 7 (2.04.0220) demontieren und Auslösering Pos. 97 sowie Kurbelabdeckscheibe Pos. 96 montieren.
11. Kurbelseitenwand anschrauben und das Federn des Filmschlüssels Pos. 111 prüfen.
12. Beim Aufsetzen der Kurbelseitenwand 220 Pos. 100 muss folgendes beachtet werden:
  1. Reglerknopf Pos. 6 (2.07.0220) auf Bildzahl „12“ stellen.
  2. Druckhebel Pos. 4 (2.07.0220) in Führungsnut vom Niet  $\bullet$  L der Zählerrückstange Pos. 39 A (2.04.0221) einsetzen.
  3. Reglerknopf mehrmals betätigen, bis Kurbelseitenwand einwandfrei aufliegt.  
**Beachte:** Schalt Nase vom Regler Pos. 48 (2.04.0221) muss an Reglerscheibe Pos. 5 (2.07.0220) anliegen.

2. With terminal box item 50 in position check slit width (f/3.5  $\Delta$  4.6 mm).  
If necessary: Adjust at cam item 90.
3. If diaphragm slips during shutter setting if necessary fit washer item 89 and shoulder screw item 88.
8. Insert shoulder rivet  $\bullet$  M of lever item 91 in aperture slide item 10 (2.05.0220) and shoulder rivet  $\bullet$  N of cam bracket item 81 in exposure value slide item 8 (2.05.0220). Check freedom of movement of levers.
9. Check function of film advance with test film.  
**Note:** Check item 100 with 120 and 220 roll film with 220 crank side panel fitted.
10. Disassemble auxiliary plate and auxiliary release ring item 4 and item 7 (2.04.0220) and assemble release ring item 97 together with crank cover plate item 96.
11. Screw on crank side panel and check spring action of film key item 111.
12. When fitting the 220 crank side panel item 100 the following must be observed:
  1. Set control knob item 6 (2.07.0220) to frame reading "12".
  2. Insert thrust lever item 4 (2.07.0220) in guide slot of rivet  $\bullet$  L of the counter disengagement rod item 39 A (2.04.0221).
  3. Operate control knob several times until crank side panel locates satisfactorily.  
**Note:** Control lug of control item 48 (2.04.0221) must rest on control plate item 5 (2.07.0220).

| Rollei<br>Service    |            | ERSATZTEILLISTE<br>PARTSBOOK<br>LISTE DE PIÈCES |   |   |    |    | 12-74                         | 2.02.0223 |   |
|----------------------|------------|---|---|---|----|----|-------------------------------|-----------|---|
|                      |            |   |   |   |    |    | ROLLEIFLEX 3,5F<br>14000.41.1 |           |   |
| POS.<br>ITEM<br>POS. | X R<br>K ● | SACH-NR.<br>PART-NR.<br>NO. DE PIÈCES           | BENENNUNG<br>DESCRIPTION<br>DÉSIGNATION   | STÜCK PRO<br>VARIANTE<br>QTY-TYPE<br>PIÈCES PAR<br>VARIANTE |    |    |                               |           | BEMERKUNG<br>REMARK<br>OBSERVATION  |
|                      |            |   |   | 00  | 01 | 02 | 03                            | 04        |   |
|                      |            |   | FORTSETZUNG 3<br>CONTINUED 3              |   |    |    |                               |           |   |
| 57                   | X          | 07850.41.1                                      | LICHTSCHACHT<br>FOCUS HOOD                | 1   |    |    |                               |           | SIEHE / SEE 2.08.0210   |
| 58                   | ●          | 08047.00.0                                      | STREUSCHEIBE<br>★<br>★                    |   | 1  | 1  |                               | 1         | (WW)<br>DAFUER / FOR THAT 90164.41.1<br>11.072-HS + 11.258<br>11.072-009A |
| 59                   | ●          | 08048.00.0                                      | FOCUSING SCREEN<br>STREUSCHEIBE           |   |    | 1  |                               | 1         | (WW)  |
| 60                   | X          | 08012.00.2                                      | FOCUSING SCREEN<br>MASKE 12               | 1   |    |    |                               |           |   |
| 61                   |            | 08013.00.0                                      | MASK 12<br>NUTMUTTER                      | 1   |    |    |                               |           | 08000.41.0-W008   |
| 62                   |            | 10002.00.0                                      | SLOTTED NUT<br>SICHERUNGSSCHEIBE 1,5      | 1   |    |    |                               |           |   |
| 63                   |            | 14000.02.0                                      | C-CLAMP 1,5<br>SCHUBSTANGE                | 1   |    |    |                               |           |   |
| 64                   |            | 01036.82.0                                      | PUSH ROD<br>ZYLINDERSCHRAUBE              | 3   |    |    |                               |           |   |
| 65                   | X          | 08031.00.2                                      | CHEESE-HEAD SCREW<br>SCHILDPLATTE         | 1   |    |    |                               |           | L-8678  |
| 66                   | X          | 08000.13.2                                      | NAME PLATE CARRIER<br>KONTAKT             | 1   |    |    |                               |           |   |
| 67                   |            | 01138.87.1                                      | CONTACT<br>ZYLINDERSCHRAUBE               | 4   |    |    |                               |           |   |
| 68                   |            | 17000.08.0                                      | CHEESE-HEAD SCREW<br>MATTSCHEIBENRAHMEN   | 1   |    |    |                               |           | SIEHE / SEE 2.08.0300   |
| 69                   |            | 08014.00.0                                      | FOCUSING SCREEN FRAME<br>DRUCKFEDER       | 2   |    |    |                               |           |   |
| 70                   |            | 01256.85.0                                      | SPRING<br>ZYLINDERSCHRAUBE                | 2   |    |    |                               |           |   |
| 71                   |            | 04268.00.0                                      | CHEESE-HEAD SCREW<br>SPIEGELKLAMMER       | 2   |    |    |                               |           |   |
| 72                   |            | 04265.00.0                                      | MIRROR CLAMP<br>SUCHERSPIEGEL             | 1   |    |    |                               |           |   |
| 73                   |            | 08014.00.0                                      | VIEW FINDER MIRROR<br>DRUCKFEDER          | 1   |    |    |                               |           |   |
| 74                   |            | 01246.85.0                                      | SPRING<br>FLACHKOPFSCHRAUBE               | 6   |    |    |                               |           |   |
| 75                   | ●          | 14000.03.0                                      | PAN-HEAD SCREW<br>EINSTELLSEITENWAND      | 1   |    |    |                               |           | SIEHE / SEE 2.07.0210<br>→ 1963   |
| 75A                  | ●          | 14000.03.1                                      | FOCUSING SIDE PANEL<br>EINSTELLSEITENWAND | 1   |    |    |                               |           | SIEHE / SEE 2.07.0210<br>1963 → 1965                                      |
| 75B                  | ●          | 14000.03.2                                      | FOCUSING SIDE PANEL<br>EINSTELLSEITENWAND | 1   |    |    |                               |           | 1965 → 1966<br>SIEHE / SEE 2.07.0210                                      |
| 75C                  | ●          | 14000.03.3                                      | FOCUSING SIDE PANEL<br>EINSTELLSEITENWAND | 1   |    |    |                               |           | 1966 →<br>SIEHE / SEE 2.07.0210   |
| 76                   |            | 04715.00.0                                      | FOCUSING SIDE PANEL<br>ZUGFEDER           | 1   |    |    |                               |           | (WW)  |
| 77                   |            | 17017.00.0                                      | SPRING<br>ZUGFEDER                        | 1   |    |    |                               |           | (WW)  |
| 78                   |            | 04714.00.0                                      | SPRING<br>ZUGFEDER                        | 2   |    |    |                               |           |   |
|                      |            |   | FORTSETZUNG 4<br>CONTINUED 4              |   |    |    |                               |           |   |



**REPARATUR-HINWEISE, JUSTIERANGABEN, SCHMIERPUNKTE**

**REPAIR AND ADJUSTMENT INSTRUCTIONS, LUBRICATION POINTS**

**13. → 1966; Justierung der Planglaseinrichtung:**

1. Planglas Pos. 26 einsetzen. Planglasrückwand Pos. 25 ansetzen. Druckplatte Pos. 23 (2.09.0210) in Stellung Planglas verstellen. Probefilm einlegen.
2. Rückwand schließen. Filmtransport betätigen, bis der Zählersperrhebel Pos. 42 (2.04.0221) bei Bild 1 in das Nockenrad Pos. 138 einfällt. Gleichzeitig muss der Sperrhebel Pos. 51 (2.04.0221) vom Zählersperrhebel betätigt werden, der jetzt den Abheber Pos. 50 (2.04.0221) freigibt. Der Druckstift Pos. 134-136 gibt nach und die Druckplatte kommt in Aufnahmestellung.
3. Rückwand öffnen und Prüfvorgang Punkt 2 mehrfach wiederholen.  
Bei Bedarf: Sperrhebel Pos. 51 (2.04.0221) am langen Schenkel nachbiegen.
4. **Beachte:** Bei eingerastetem Abheber muss der Druckstift 0,7 mm unter der Filmgleitfläche liegen.  
Bei Bedarf: Druckstift Pos. 134-136 mit anderer Länge verwenden.

**14. Tastwerk justieren.**

Ausrücker Pos. 121 in Fangstellung bringen. Tastwerklehre zwischen Fest- und Tastrolle schieben. Die erste Zunge darf das Tastwerk nicht auslösen. Der Zahn des Ausrückers muss einwandfrei hinter der Nase der Zugstange Pos. 37 (2.04.0221) liegen und darf bei Druck auf die Festrolle nicht abspringen.  
Bei weiterem Einschieben der Tastwerklehre (zweite Zunge) muss das Tastwerk auslösen, dadurch wird das Zählwerk freigegeben.  
Parallelität beider Rollen mit Zunge der Tastwerklehre prüfen.  
Bei Bedarf: Tastwerkauslösung durch Verdrehen der Exzentrerscheibe Pos. 8 (2.11.0220) justieren. Tastwerkauslösung mehrmals prüfen.

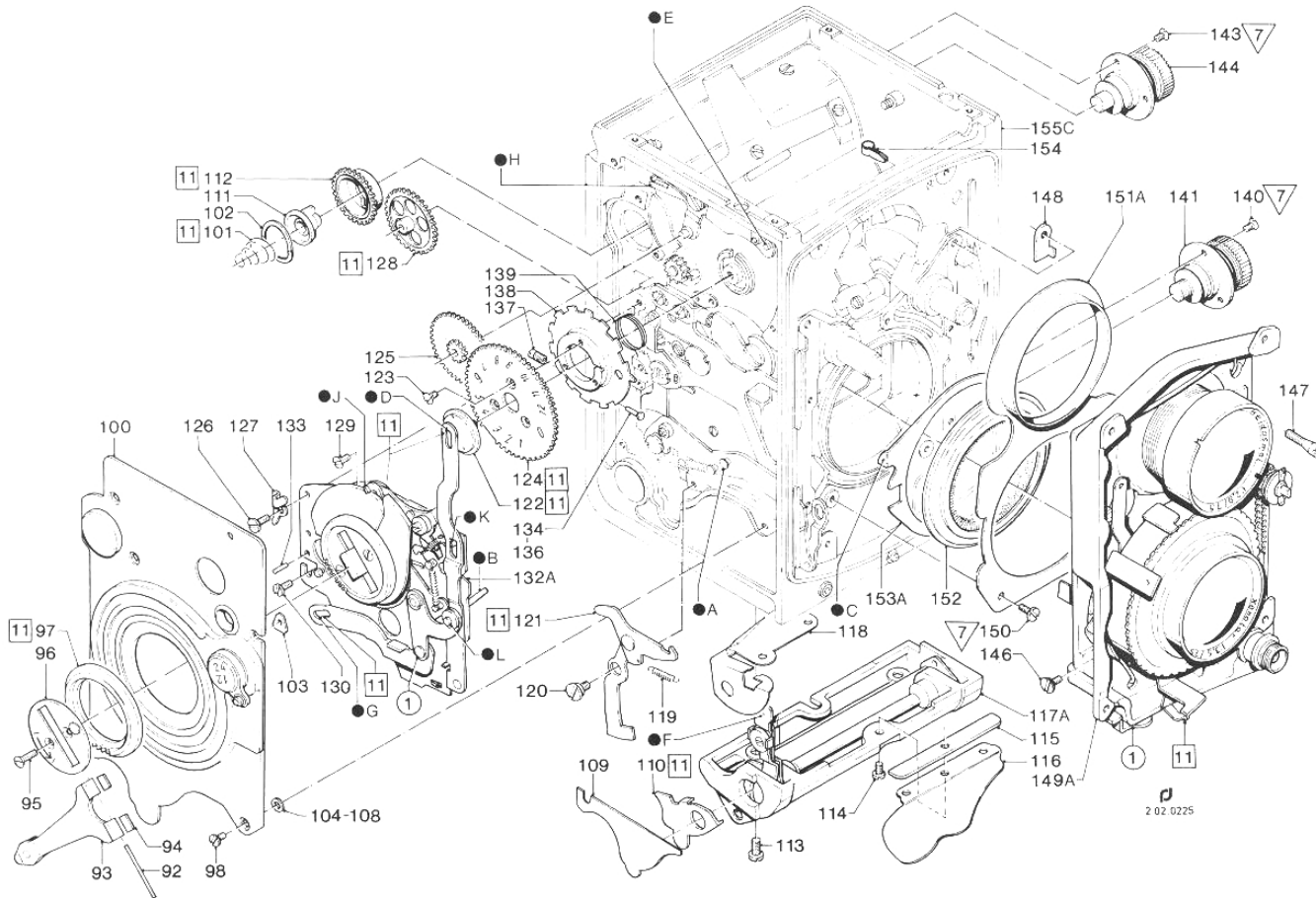
**13. → 1966; Adjustment of Plane Glass Device:**

1. Insert plane glass item 26. Fit plane glass back item 25, adjust pressure plate item 23 (2.09.0210) to plane glass position. Load with trial film.
2. Close back. Operate film advance until counter locking lever item 42 (2.04.0221) engages in cam-wheel item 138 at frame 1. At the same time locking lever item 51 (2.04.0221) of the counter locking lever must be actuated; it now releases lifting pawl item 50 (2.04.0221). Thrust pin item 134-136 gives way and the pressure plate moves into position of engagement.
3. Open back and repeat test operation point 2 several times.  
If necessary: Bend the long limb of locking lever item 51 (2.04.0221).
4. **Note:** With lifting pawl engaged the thrust pin must lie 0.7 mm below the film slide-face.  
If necessary: Use thrust pin item 134-136 of different length.

**14. Adjusting film feeler mechanism.**

Move disengagement member 121 to engagement position. Push film feeler mechanism gauge between fixed and film feeler roller. The first lug should not release the film feeler mechanism. The tooth of the disengagement member must rest properly behind the lug of the pull rod item 37 (2.04.0221) and should not spring off when the fixed roller is pressed. On further insertion of the film feeler mechanism gauge (second lug) the film feeler mechanism must release as a result of which the counter mechanism is released. Check parallelism of the two rollers with the lug of the film feeler mechanism gauge.  
If necessary: Adjust film feeler mechanism release by rotating the eccentric plate item 8 (2.11.0220). Check film feeler mechanism release several times.

| Rollei<br>Service    |            | ERSATZTEILLISTE<br>PARTSBOOK<br>LISTE DE PIÈCES |   |   |    | 12-74                          | 2.02.0224 |    |                                    |      |
|----------------------|------------|---|---|---|----|--------------------------------|-----------|----|------------------------------------|------|
|                      |            |   |   |   |    | ROLLEIFLEX 3,5 F<br>14000.41.1 |           |    |                                    |      |
| POS.<br>ITEM<br>POS. | X R<br>K ● | SACH-NR.<br>PART-NR.<br>NO. DE PIÈCES           | BENENNUNG<br>DESCRIPTION<br>DÉSIGNATION | STÜCK PRO<br>VARIANTE<br>QTY-TYPE<br>PIÈCES PAR<br>VARIANTE |    |                                |           |    | BEMERKUNG<br>REMARK<br>OBSERVATION |      |
|                      |            |   |   | 00  | 01 | 02                             | 03        | 04 | 05                                 |      |
|                      |            |   | FORTSETZUNG 4<br>CONTINUED 4            |   |    |                                |           |    |                                    |      |
| 79                   |            | 01139.82.0                                      | ZYLINDERSCHRAUBE<br>CHEESE-HEAD SCREW   | 2   |    |                                |           |    |                                    |      |
| 80                   | X          | 04567.00.1                                      | HALTEWINKEL<br>BRACKET                  | 1   |    |                                |           |    |                                    |      |
| 81                   |            | 04885.41.0                                      | KURVENTRAEGER<br>CAM CARRIER            | 1   |    |                                |           |    |                                    |      |
| 82                   | X          | 04887.00.1                                      | -ZUGFEDER<br>SPRING                     | 1   |    |                                |           |    |                                    |      |
| 83                   |            | 04639.00.0                                      | DICHTUNGSSTREIFEN<br>SEALING STRIP      | 1   |    |                                |           |    |                                    |      |
| 84                   |            | 01036.82.0                                      | ZYLINDERSCHRAUBE<br>CHEESE-HEAD SCREW   | 1   |    |                                |           |    |                                    |      |
| 85                   |            | 04713.00.0                                      | HALTEWINKEL<br>BRACKET                  | 1   |    |                                |           |    |                                    |      |
| 86                   | X          | 01055.82.1                                      | ZYLINDERSCHRAUBE<br>CHEESE-HEAD SCREW   | 1   |    |                                |           |    |                                    |      |
| 87                   |            | 01255.82.0                                      | ANSATZSCHRAUBE<br>SHOULDER SCREW        | 1   |    |                                |           |    |                                    | (WW) |
| 88                   |            | 01375.82.0                                      | ANSATZSCHRAUBE<br>SHOULDER SCREW        | 1   |    |                                |           |    |                                    | (WW) |
| 89                   |            | 10242.00.0                                      | SCHEIBE<br>WASHER                       | 1   |    |                                |           |    |                                    | (NB) |
| 90                   |            | 17012.00.0                                      | KURVE<br>CAM                            | 1   |    |                                |           |    |                                    |      |
| 91                   |            | 04560.12.0                                      | HEBEL M. ANSATZNIET<br>LEVER WITH STUD  | 1   |    |                                |           |    |                                    |      |
|                      |            |   | FORTSETZUNG 5<br>CONTINUED 5            |   |    |                                |           |    |                                    |      |



**REPARATUR-HINWEISE, JUSTIERANGABEN, SCHMIERPUNKTE**

**REPAIR AND ADJUSTMENT INSTRUCTIONS, LUBRICATION POINTS**

**15. Justieren und Prüfen von Verschlussaufzug und Filmtransport.**

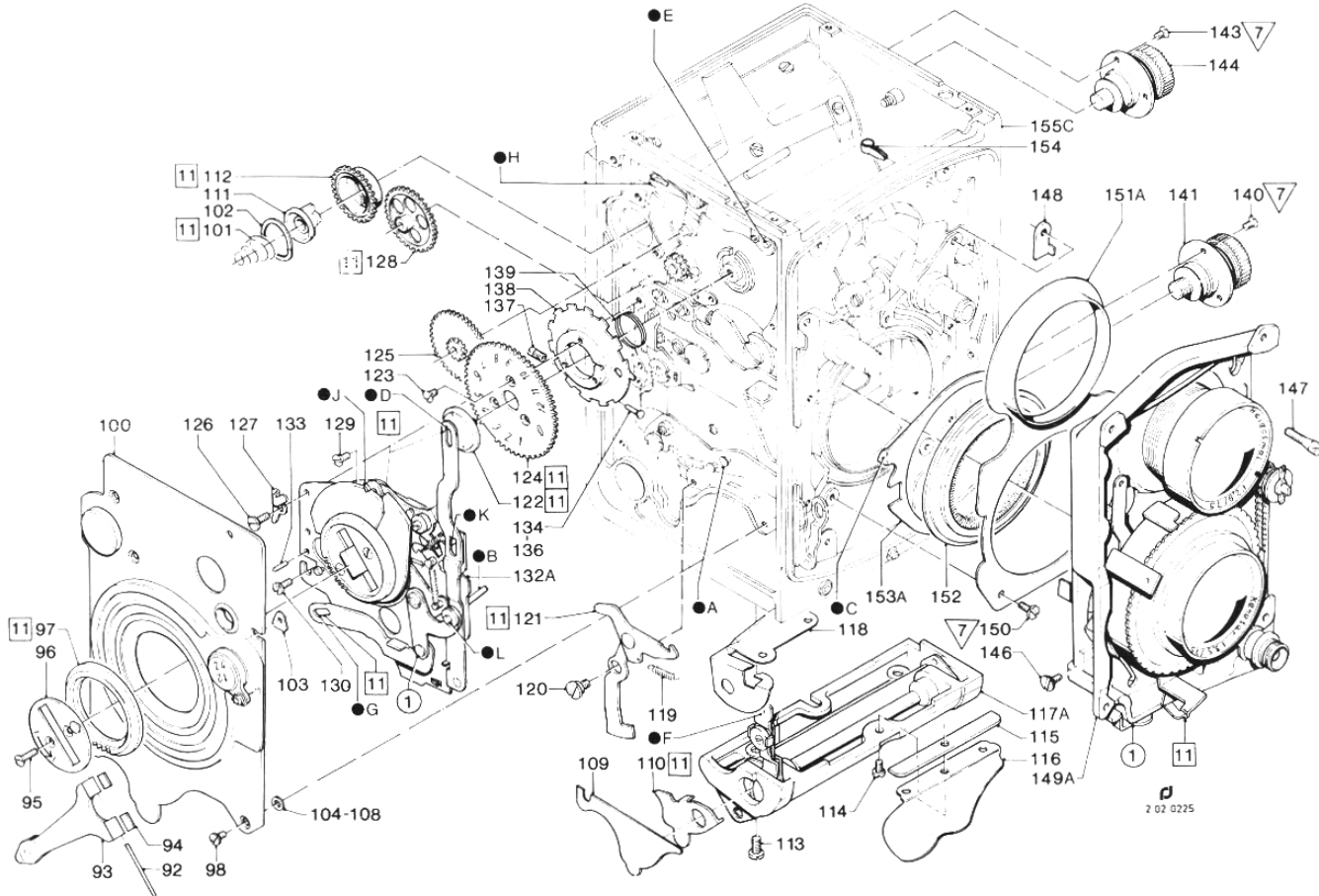
1. **Verschlussaufzug justieren.**  
Bei  $\infty$ -Einstellung die Filmtransportkurbel drehen. Hierbei wird über die Verschlussaufzugscheibe Pos. 24 (2.04.0220), Aufzugbügel mit Stütze Pos. 24 (2.03.0220) und Aufzugring Pos. 24 (2.05.0221) der Verschluss gespannt. Filmtransportkurbel langsam soweit drehen, bis das Einfallen der Sperren im Verschluss deutlich zu hören ist. Der Aufzugring Pos. 24 (2.05.0221) muss sich jetzt noch um den „Verschlussüberzug“ weiterbewegen lassen.  
**Beachte:** Verschlussüberzug ca. 0,5 mm. Der Spannring vom Verschluss darf jedoch das Verschlussgehäuse nicht berühren bzw. quetschen.  
Bei Bedarf: Aufzugring an Ausgleichkurve Pos. 9 (2.03.0220) durch Verstellen der Exzenterbuchse Pos. 8 (2.03.0220) justieren.  
Justierung in beiden Anschlagstellungen ( $\infty$  u. 0,9 m) prüfen.
2. Schlüsselrad Pos. 112, Zwischenrad Pos. 128 und Antriebsrad Pos. 21 (2.04.0220) auf einwandfreien Gang prüfen.  
Bei Bedarf: Exzenterstift Pos. 71 (2.03.0220) einsetzen und Zahnspiel einstellen.
3. Reibrad Pos. 62 (2.03.0222) justieren.  
Leerspule in obere Spulenkammer einlegen, Justierscheibe Pos. 59 (2.03.0222) so verstellen, dass beim Betätigen des Filmtransportes das Reibrad erst mitgenommen wird, wenn man leicht gegen die Leerspule drückt.

**15. Adjusting and checking shutter cocking mechanism and film advance**

1. **Adjusting shutter cocking mechanism.** Turn the film advance crank at  $\infty$  setting. On doing so the shutter will be cocked by means of the shutter cocking plate item 24 (2.04.0220), cocking bar with support item 24 (2.03.0220) and cocking ring item 24 (2.05.0221). Turn film advance crank slowly until engagement of the locks in the shutter can clearly be heard. It must now be possible to move cocking ring item 24 (2.05.0221) on by the „additional shutter travel“.  
**Note:** Additional shutter travel approx. 0.5 mm. The tension ring of the shutter should not, however, touch or squash the shutter housing.  
If necessary: Adjust cocking ring at correction cam item 9 (2.03.0220) by adjusting eccentric bush item 8 (2.03.0220).  
Check adjustment in both end positions ( $\infty$  and 0.9 m).
2. Check key gear item 112, intermediate gear item 128 and drive gear item 21 (2.04.0220) for proper travel.  
If necessary: Insert eccentric pin item 71 (2.03.0220) and adjust tooth backlash).
3. Adjust friction wheel item 62 (2.03.0222).  
Insert empty spool in top spool compartment, adjust adjusting plate item 59 (2.03.0222) so that on operating the film advance the friction wheel is only driven when light pressure is exerted on the empty spool.

| Rollei<br>Service    |            | ERSATZTEILLISTE<br>PARTSBOOK<br>LISTE DE PIÈCES |   |   |    | 12-74                          | 2.02.0225 |    |                                    |                                 |
|----------------------|------------|---|---|---|----|--------------------------------|-----------|----|------------------------------------|---------------------------------|
|                      |            |   |   |   |    | ROLLEIFLEX 3,5 F<br>14000.41.1 |           |    |                                    |                                 |
| POS.<br>ITEM<br>POS. | X R<br>K ● | SACH-NR.<br>PART-NR.<br>NO. DE PIÈCES           | BENENNUNG<br>DESCRIPTION<br>DÉSIGNATION             | STÜCK PRO<br>VARIANTE<br>QTY-TYPE<br>PIÈCES PAR<br>VARIANTE |    |                                |           |    | BEMERKUNG<br>REMARK<br>OBSERVATION |                                 |
|                      |            |   |   | 00  | 01 | 02                             | 03        | 04 | 05                                 |                                 |
|                      |            |   | FORTSETZUNG 5<br>CONTINUED 5                        |   |    |                                |           |    |                                    |                                 |
| 92                   |            | 00754.82.0                                      | ZYLINDERSTIFT<br>PIN                                | 1   |    |                                |           |    |                                    |                                 |
| 93                   | X          | 07000.29.1                                      | FILMTRANSPORTKURBEL<br>FILM TRANSPORT CRANK         | 1   |    |                                |           |    |                                    |                                 |
| 94                   | X          | 07126.00.1                                      | BREMSPLAETTCHEN, KORK<br>BRAKE WASHER, CORK         | 2   |    |                                |           |    |                                    |                                 |
| 95                   | X          | 01012.84.1                                      | LINSENENKSCHEIBE<br>RAISED-CSK. SCREW               | 2   |    |                                |           |    |                                    |                                 |
| 96                   | X          | 07100.01.1                                      | KURBELABDECKSCHEIBE<br>CRANK COVER PLATE            | 1   |    |                                |           |    |                                    |                                 |
| 97                   |            | 07128.00.0                                      | AUSLOESERING<br>RELEASE RING                        | 1   |    |                                |           |    |                                    |                                 |
| 98                   |            | 01246.85.0                                      | FLACHKOPFSCHRAUBE<br>PAN-HEAD SCREW                 | 5   |    |                                |           |    |                                    |                                 |
| 99                   |            | 07000.18.2                                      | KURBELSEITENWAND<br>FILM TRANSPORT. SIDE PANEL      | 1   |    |                                |           |    |                                    | → 1966<br>SIEHE / SEE 2.07.0200 |
| 99A                  |            | 07000.18.3                                      | KURBELSEITENWAND<br>FILM TRANSPORT. SIDE PANEL      | 1   |    | 1                              |           |    |                                    | 1966 →<br>SIEHE / SEE 2.07.0200 |
| 100                  |            | 07279.41.0                                      | KURBELSEITENWAND 220<br>FILM TRANSP. SIDE PANEL 220 |   | 1  |                                |           | 1  |                                    | 1965 →<br>SIEHE / SEE 2.07.0220 |
| 101                  |            | 08075.00.0                                      | KEGELFEDER<br>SPRING                                | 1   |    |                                |           |    |                                    |                                 |
| 102                  |            | 04196.00.0                                      | FEDERSCHEIBE<br>SPRING WASHER                       | 1   |    |                                |           |    |                                    |                                 |
| 103                  |            | 07241.00.0                                      | UNTERLEGPLAETTCHEN<br>PLATE                         | -   |    |                                |           |    |                                    | (NB)                            |
| 104                  |            | 03400.00.0                                      | UNTERLEGSCHLEIBE 0,05<br>WASHER 0,05                | -   |    |                                |           |    |                                    | (NB)                            |
| 105                  |            | 03401.00.0                                      | UNTERLEGSCHLEIBE 0,1<br>WASHER 0,1                  | -   |    |                                |           |    |                                    | (NB)                            |
| 106                  |            | 03402.00.0                                      | UNTERLEGSCHLEIBE 0,2<br>WASHER 0,2                  | -   |    |                                |           |    |                                    | (NB)                            |
| 107                  |            | 03403.00.0                                      | UNTERLEGSCHLEIBE 0,3<br>WASHER 0,3                  | -   |    |                                |           |    |                                    | (NB)                            |
| 108                  |            | 03404.00.0                                      | UNTERLEGSCHLEIBE 0,4<br>WASHER 0,4                  | -   |    |                                |           |    |                                    | (NB)                            |
| 109                  |            | 04249.00.0                                      | DICHTUNGSBLECH<br>SEAL PLATE                        | 1   |    |                                |           |    |                                    |                                 |
| 110                  | X          | 04225.00.1                                      | LICHTSCHUTZPLATTE<br>LIGHT SEAL                     | 1   |    |                                |           |    |                                    |                                 |
| 111                  |            | 08000.18.0                                      | FILMSCHLUESSEL<br>FILM KEY                          | 1   |    |                                |           |    |                                    |                                 |
| 112                  |            | 04195.00.0                                      | SCHLUESSELRAD<br>KEY GEAR                           | 1   |    |                                |           |    |                                    |                                 |
|                      |            |   | FORTSETZUNG 6<br>CONTINUED 6                        |   |    |                                |           |    |                                    |                                 |





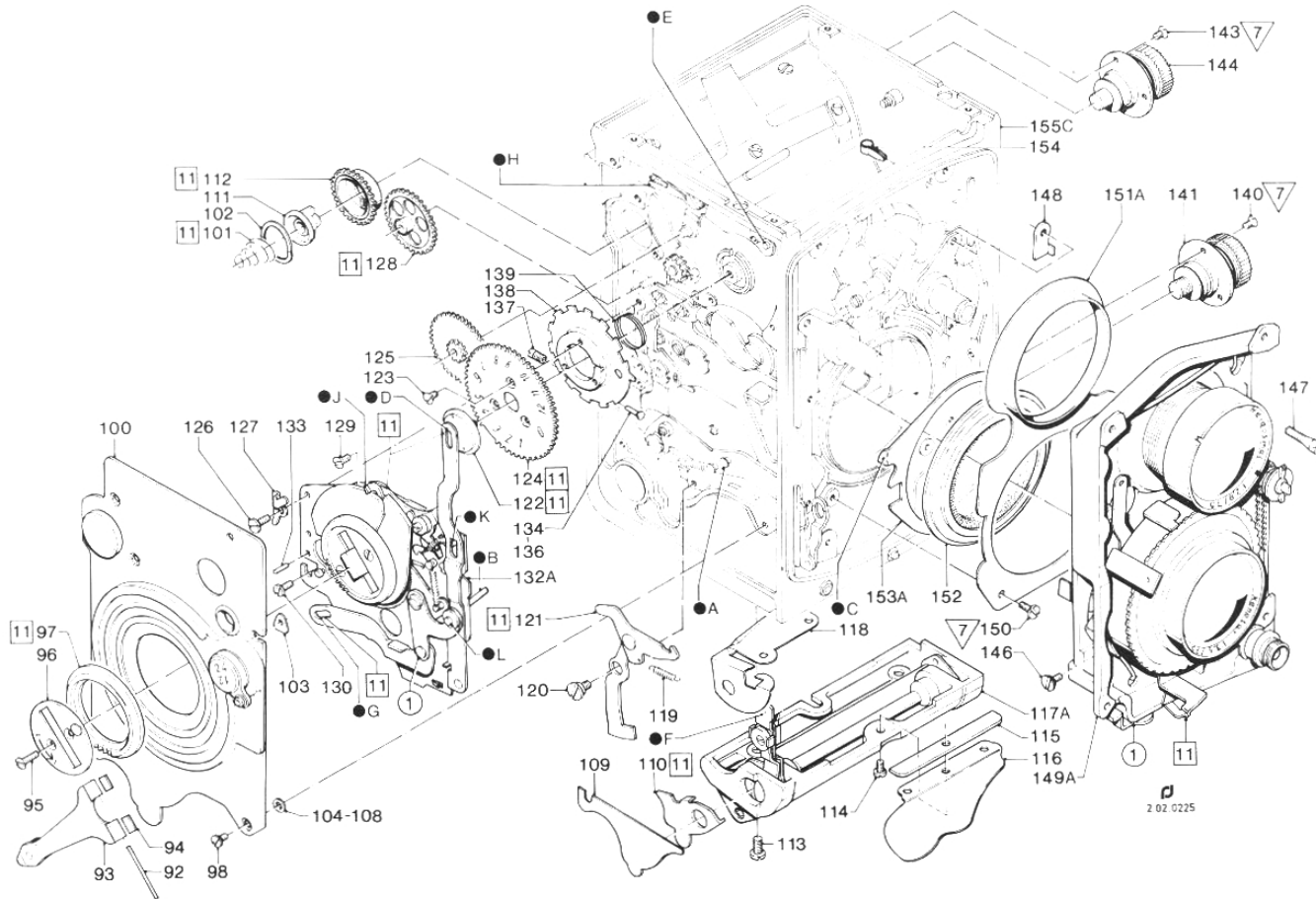
**REPARATUR-HINWEISE, JUSTIERANGABEN, SCHMIERPUNKTE**

**REPAIR AND ADJUSTMENT INSTRUCTIONS, LUBRICATION POINTS**

4. Eingriff des Gr.-Zwischenrades Pos. 125 in Zählrad Pos. 124 justieren.  
Die Zähne des kleinen Ritzels vom Gr.-Zwischenrad müssen gut in die Zähne vom Zählrad eingreifen. Bei Bedarf am Stützschenkel ● H des Schwenkhebels justieren.
5. Funktion des Zählrades Pos. 124 prüfen.  
In Anschlagstellung der Filmtransportkurbel das Gr.-Zwischenrad Pos. 125 ausheben, Zählrad bis Anschlag "12" drehen und wieder loslassen. Das Zählrad muss einwandfrei auf "0" zurückspringen.  
**Beachte:** Höhenspiel zwischen Lagerschraube Pos. 122 und Zählrad darf nur gering sein.
6. Zählersperrhebel Pos. 42 (2.04.0221) justieren.  
Rückwand ansetzen. Zählersperrhebel wird jetzt von Zählerausrückstange Pos. 39 A (2.04.0220) über Zugstange Pos. 37 (2.04.0221) und Ausrücker Pos. 121 angehoben, gleichzeitig kommt das Gr.-Zwischenrad Pos. 125 und das Zählrad Pos. 124 ausser Eingriff.  
Die Nase ● J am Anschlaghebel des Zählersperrhebels muss jetzt ca. 0,2 mm über Lauffläche der Segmentscheibe Pos. 10 (2.04.0220) stehen.  
Bei Bedarf: Nase ● K vom Zählersperrhebel biegen. Filmtransportkurbel drehen und prüfen, ob Nase ● J des Anschlaghebels unter Anschlagsscheibe Pos. 11 (2.04.0220) hindurchgeht.  
Bei Bedarf: Nase ● J entsprechend abfeilen oder Anschlag biegen.
7. Filmtransportkurbel soweit drehen, bis die Segmentscheibe den Blick auf den Eingriff von Sicherungshebel Pos. 40 (2.04.0221) und Sperrhaltehebel Pos. 44 (2.04.0221) freigibt.  
Der Zählersperrhebel liegt jetzt am Nockenrad Pos. 138 an und hebt den Sperrhaltehebel max. 0,2 mm an.

4. Adjust engagement of the large intermediate gear item 125 in counter wheel item 124.  
The teeth of the small pinion of the large intermediate gear must engage properly in the teeth of the counter wheel. If necessary, adjust at the support limb ● H of the swivel lever.
5. Check function of counter wheel 124.  
With the film advance crank in end position lift out the large intermediate gear item 125, turn counter wheel to "12" stop and release again. The counter wheel must spring back to "0" properly.  
**Note:** Vertical play between bearing screw item 122 and counter wheel should be minimal.
6. Adjust counter locking lever item 42 (2.04.0221).  
Fit back. Counter locking lever will now be raised by counter disengagement rod item 39 A (2.04.0220) by means of pull rod item 37 (2.04.0221) and disengagement member item 121, at the same time the large intermediate gear item 125 and the counter wheel item 124 will be disengaged.  
The lug ● J on the stop lever of the counter locking lever must now be approximately 0.2 mm above the contact face of the segment plate item 10 (2.04.0220).  
If necessary: Bend lug ● K of counter locking lever.  
Turn film advance crank and check that lug ● J of the stop lever passes under stop plate item 11 (2.04.0220).  
If necessary: File down lug ● J as required or bend stop.
7. Turn film advance crank until the segment plate exposes the engagement of locking lever item 40 (2.04.0221) and lock retainer lever item 44 (2.04.0221).  
The counter locking lever will now rest on cam wheel item 138 and will raise the lock retainer lever by a maximum of 0.2 mm.

| POS.<br>ITEM<br>POS. | X R<br>K ● | SACH-NR.<br>PART-NR.<br>NO. DE PIÈCES | BENENNUNG<br>DESCRIPTION<br>DÉSIGNATION         | STÜCK PRO<br>VARIANTE<br>QTY-TYPE<br>PIÈCES PAR<br>VARIANTE |    |    |    |    | BEMERKUNG<br>REMARK<br>OBSERVATION                    |
|----------------------|------------|---------------------------------------|---|---|----|----|----|----|---|
|                      |            |                                       |   | 00  | 01 | 02 | 03 | 04 |   |
|                      |            |                                       | FORTSETZUNG 6<br>CONTINUED 6                    |   |    |    |    |    |   |
| 113                  |            | 01277.87.0                            | ZYLINDERSCHRAUBE<br>CHEESE-HEAD SCREW           | 2   |    |    |    |    |   |
| 114                  |            | 01241.87.0                            | LINSENSCHRAUBE<br>OVAL-HEAD SCREW               | 1   |    |    |    |    |   |
| 115                  |            | 04224.00.0                            | UNTERLAGE<br>SHIM                               | -   |    |    |    |    | (NB)  |
| 116                  |            | 04223.01.0                            | DRUCKFEDER<br>SPRING                            | 1   |    |    |    |    |   |
| 117                  | A          | 07000.28.2                            | TASTWERK (PLANGLAS)<br>FEEL.MECH.OPT.FLAT GLASS |   | 1  | 1  |    |    | → 1966<br>SIEHE / SEE 2.11.0220                       |
| 117A                 |            | 07000.28.3                            | TASTWERK<br>★<br>FILM FEELER MECHANISM          | 1   |    |    |    |    | 1966 →<br>SIEHE / SEE 2.11.0220<br>L-1949 + 4205-W010 |
| 118                  | X          | 04226.00.1                            | LICHTSCHUTZBLECH<br>LIGHT SEAL                  | 1   |    |    |    |    |   |
| 119                  |            | 04185.00.0                            | FEDER<br>SPRING                                 | 1   |    |    |    |    |   |
| 120                  |            | 01250.82.0                            | ANSATZSCHRAUBE<br>SHOULDER SCREW                | 1   |    |    |    |    |   |
| 121                  |            | 04000.31.0                            | AUSRUECKER<br>TRIP LEVER                        | 1   |    |    |    |    |   |
| 122                  |            | 04168.00.0                            | LAGERSCHRAUBE<br>BEARING SCREW                  | 1   |    |    |    |    | 4168-W010M  |
| 123                  |            | 01007.82.0                            | SENKSCHEIBE<br>COUNTERSUNK SCREW                | 3   |    |    |    |    |   |
| 124                  |            | 04167.00.0                            | ZAEHLRAD<br>COUNTER DISC                        | 1   |    |    |    |    |   |
| 125                  |            | 04000.30.0                            | GROSSES ZWISCHENRAD<br>INTERM. GEAR             | 1   |    |    |    |    |   |
| 126                  |            | 01139.82.0                            | ZYLINDERSCHRAUBE<br>CHEESE-HEAD SCREW           | 1   |    |    |    |    |   |
| 127                  |            | 07155.00.0                            | HALTEWINKEL<br>BRACKET                          | 1   |    |    |    |    |   |
| 128                  |            | 04190.00.0                            | ZWISCHENRAD<br>INTERMEDIATE GEAR                | 1   |    |    |    |    |   |
|                      |            |                                       | FORTSETZUNG 7<br>CONTINUED 7                    |   |    |    |    |    |   |



**REPARATUR-HINWEISE, JUSTIERANGABEN, SCHMIERPUNKTE**

**REPAIR AND ADJUSTMENT INSTRUCTIONS, LUBRICATION POINTS**

Den Zählersperrhebel jetzt mehrmals springen lassen, der Sperrhaltehebel darf dabei den Sicherungshebel nicht freigeben.

Bei Bedarf: An Übertragungsnase des Zählersperrhebels zum Sperrhaltehebel justieren.

- Justieren der Filmtransportfreigabe zur Verschlussauslösung.

Filmtransportkurbel und Zählrad Pos. 124 bei abgenommener Rückwand drehen, bis der Zählersperrhebel Pos. 42 (2.04.0221) in die erste Nocke des Nockenrades Pos. 138 einfällt. Dadurch wird das Antriebsrad Pos. 21 (2.04.0220) gesperrt. Gleichzeitig muss der Sicherungshebel Pos. 40 (2.04.0221) in die Sperrverzahnung des Antriebsrades einfallen. Filmtransportkurbel auf Anschlag zurückdrehen; dabei wird der Zählersperrhebel durch die Kurve der Segmentscheibe Pos. 10 (2.04.0220) aus der Sperrverzahnung ausgehoben. Verschluss langsam über den Auslösering Pos. 26 (2.05.0221) auslösen.

Der Sicherungshebel muss bis unmittelbar vor Auslösung des Verschlusses vom Sperrhaltehebel gehalten werden.

Bei Bedarf: Am Justierschlitz vom Sperrhaltehebel justieren.

Nach Verschlussauslösung den Auslösering weiter bis zum Anschlag drücken.

Dabei darf der Niet vom Auslösesperrhebel Pos. 34 (2.04.0221) nicht am Langloch der Montageplatte anliegen.

Bei Bedarf: Am Auslösering justieren. Justierung in beiden Anschlagstellungen ( $\infty$  u. 0,9 m) prüfen.

- Die Segmentscheibe Pos. 10 (2.04.0220) muss einwandfrei federn.

Bei Bedarf: Ringfeder Pos. 8 (2.04.0220) richten oder zusätzliche Zwischenlegscheibe Pos. 6 (2.04.0220) auflegen.

Now allow counter locking lever to spring several times; the lock retainer lever should not release the locking lever when this happens.

If necessary: Adjust at the transmission lug of the counter locking lever in relation to the lock retainer lever.

- Adjustment of film advance release in relation to shutter release.

Turn film advance crank and counter wheel item 124 with back removed until the counter locking lever item 42 (2.04.0221) engages in the first cam of the cam wheel item 138. As a result the drive gear item 21 (2.04.0220) will be locked. At the same time the locking lever item 40 (2.04.0221) must engage in the locking teeth of the drive gear. Turn film advance crank back to stop; in doing so the counter locking lever will be lifted out of the locking teeth by the cam of the segment plate item 10 (2.04.0220). Release shutter slowly by means of release ring item 26 (2.05.0221).

The locking lever must be held in position by the lock retainer lever until immediately before release of the shutter.

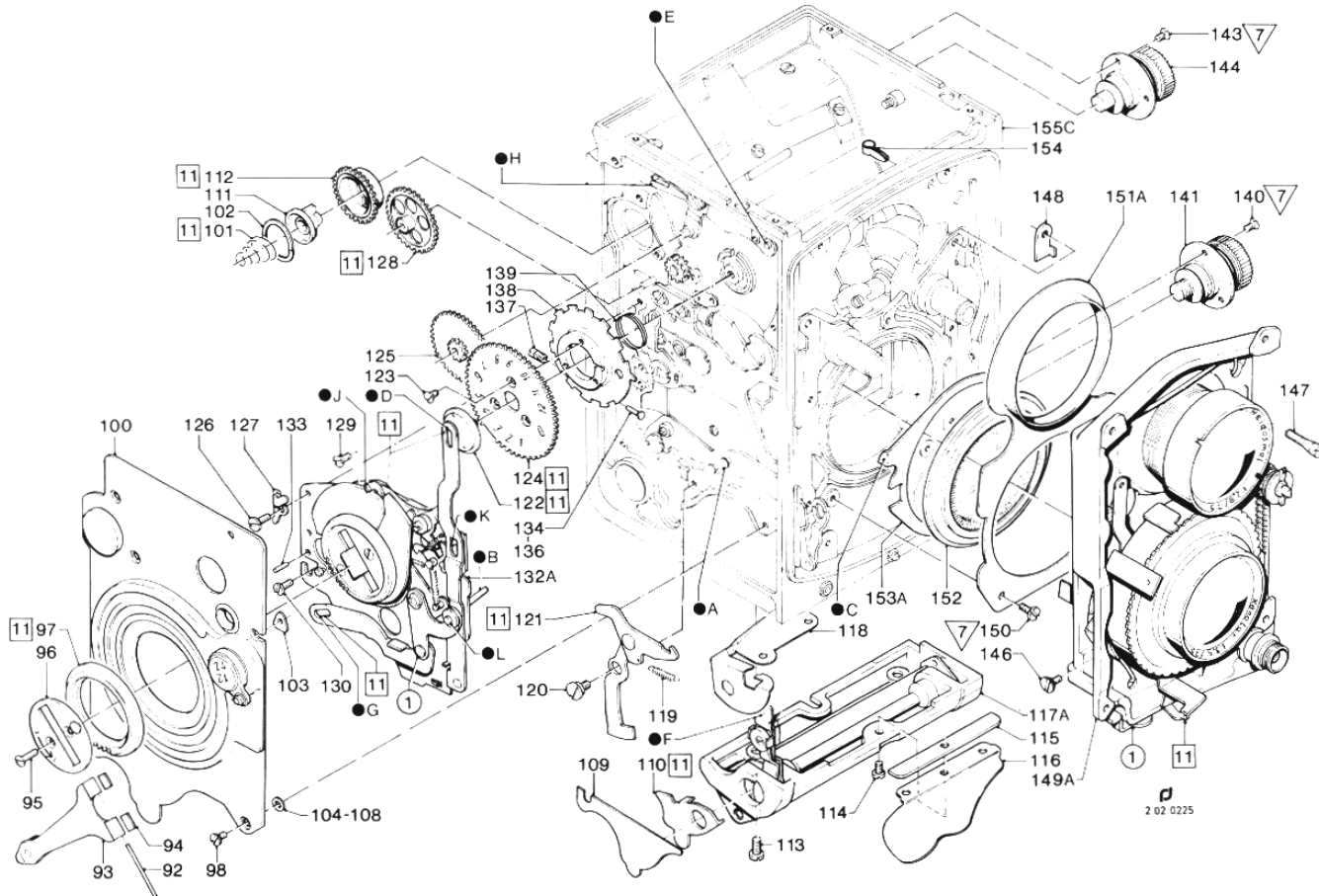
If necessary: Adjust at adjusting slot of lock retainer lever.

After shutter release push release ring onto stop. In doing so the rivet of the release locking lever item 34 (2.04.0221) should not rest on the slot of the mounting plate.

If necessary: Adjust at release ring. Check adjustment in both end positions ( $\infty$  and 0.9 m).

- The segment plate item 10 (2.04.0220) must spring properly.

If necessary: Rectify annular spring item 8 (2.04.0220) or fit additional shim item 6 (2.04.0220).



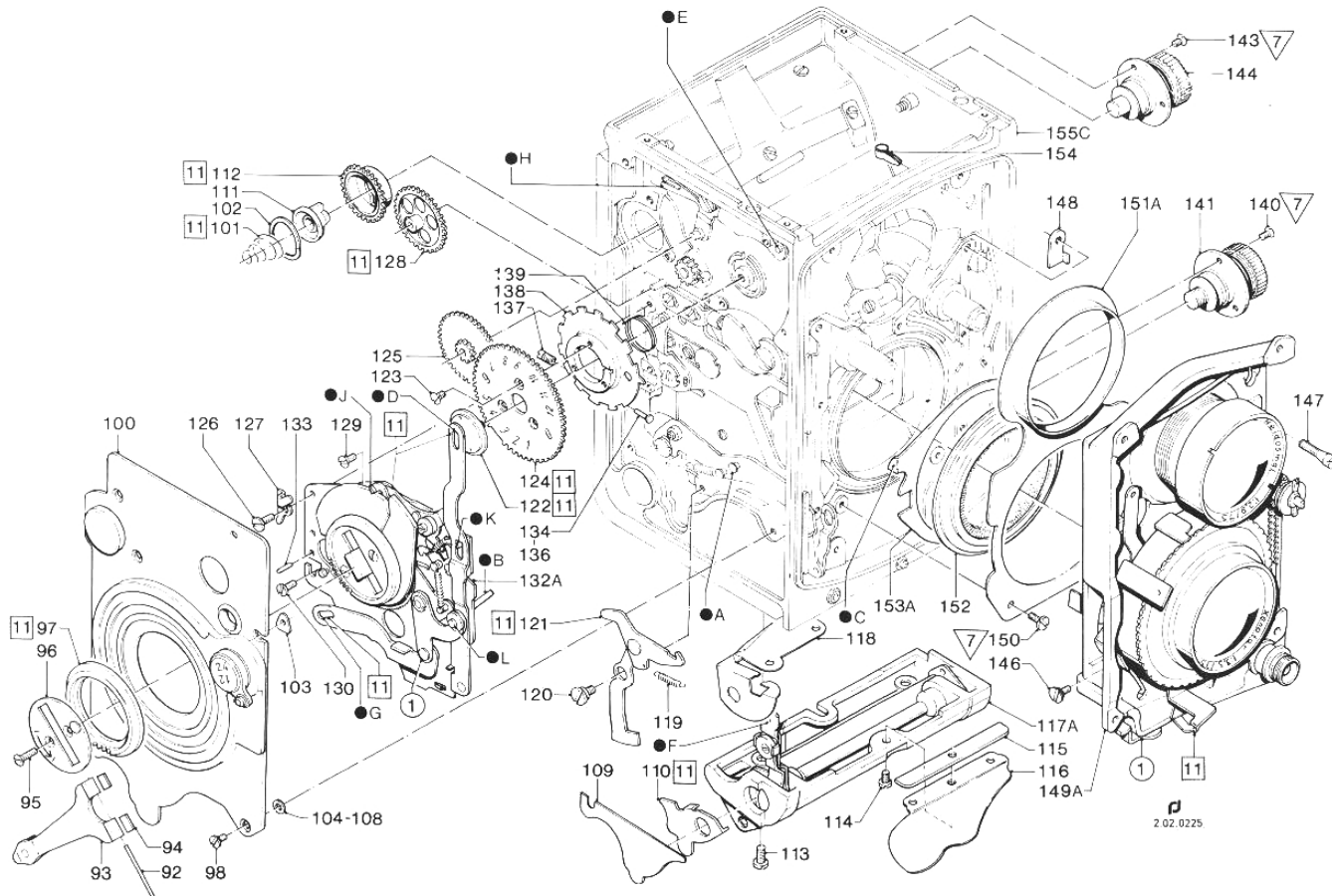
**REPARATUR-HINWEISE, JUSTIERANGABEN, SCHMIERPUNKTE**

**REPAIR AND ADJUSTMENT INSTRUCTIONS, LUBRICATION POINTS**

10. Auslösering Pos. 97 betätigen, Zählersperrhebel Pos. 42 (2.04.0221) muss in Antriebsrad Pos. 21 (2.04.0220) einfallen.  
Die Filmtransportkurbel muss sich rückwärts drehen lassen, hierbei schiebt sich die Nase ● J vom Anschlaghebel unter der Anschlagscheibe Pos. 11 (2.02.0220) durch.
16. Einbau vom Tastwerk Pos. 117A.
1. Lichtschutzblech Pos. 118 an Tastwerk ansetzen, Ausrücker Pos. 121 unter Lichtschutzblech schieben, Teile gemeinsam in Kamerakörper einsetzen.  
→ 1966: Mit Tastwerk Pos. 117 wird gleichzeitig der Gleitrollenhalter Pos. 54 (2.03.0222) und Blattfeder Pos. 53 (2.03.0222) eingesetzt.
  2. Mitnehmerstift vom Tasthebel ● F in Langloch ● G der Zugstange einsetzen.
  3. Tastwerk muss gleichmäßigen Seitenabstand im Kamerakörper haben.
  4. → 1966: Gleitrollenhalter Pos. 54 (2.03.0222) muss 0,5 mm unter Filmgleitfläche liegen.  
Hub vom Gleitrollenhalter mit Planglas Pos. 26 prüfen.
17. Beim Einsetzen der Montageplatte Pos. 132 A muss folgendes beachtet werden:
1. Aufzugarm der Verschlussaufzugscheibe Pos. 24 (2.04.0220) in Niet ● A vom Aufzugbügel einhängen.
  2. Der Stift ● B vom Auslösesperrhebel muss unter Nase ● C vom Körperring Pos. 153 A eingesetzt werden.
  3. Langloch ● D der Zählerrückstange muss über Niet ● E vom Schwenkhebel gesetzt werden.

10. Operate release ring item 97, counter locking lever item 42 (2.04.0221) must engage in drive gear item 21 (2.04.0220). It must be possible to turn the film advance crank backwards; on doing so lug ● J of the stop lever will be pushed under stop plate item 11 (2.02.0220).
16. Fitment of film feeler mechanism item 117 A.
1. Place light protection plate item 118 on feeler mechanism, push disengagement member item 121 under light protection plate. Insert units together in camera body.  
→ 1966: With film feeler mechanism item 117 simultaneously insert guide roller item 54 (2.03.0222) and leaf spring item 53 (2.03.0222).
  2. Insert driver pin of film feeler lever ● F in slot ● G of pull rod.
  3. Film feeler mechanism must have uniform lateral clearance in the camera body.
  4. → 1966: Guide roller bracket item 54 (2.03.0222) must locate 0.5 mm below film slide-face. Check travel of guide roller bracket with plane glass item 26.
17. When inserting mounting plate item 132A note the following:
1. Engage cocking arm of shutter cocking plate item 24 (2.04.0220) in rivet ● A of the cocking bar.
  2. Pin ● B of the release locking lever must be inserted under lug ● C of the body ring item 153 A.
  3. Slot ● D of the counter disengagement rod must be placed over rivet ● E of the swivel lever.

| POS.<br>ITEM<br>POS. | X R<br>K ● | SACH-NR.<br>PART-NR.<br>NO. DE PIÈCES | BENENNUNG<br>DESCRIPTION<br>DÉSIGNATION                                 | STÜCK PRO<br>VARIANTE<br>QTY-TYPE<br>PIÈCES PAR<br>VARIANTE |    |    |    |    | BEMERKUNG<br>REMARK<br>OBSERVATION  |
|----------------------|------------|---------------------------------------|---|---|----|----|----|----|---|
|                      |            |                                       |   | 00  | 01 | 02 | 03 | 04 |   |
|                      |            |                                       | FORTSETZUNG 8<br>CONTINUED 8  |   |    |    |    |    |   |
| 146                  | X          | 01152.82.1                            | FORMSCHRAUBE<br>SHAPED SCREW  | 1   |    |    |    |    |   |
| 147                  | X          | 01204.82.2                            | SENKSCHRAUBE<br>COUNTERSUNK SCREW                                       | 4   |    |    |    |    |   |
| 148                  |            | 17426.00.0                            | GEWINDEBLECH<br>BRACKET   | 1   |    |    |    |    |   |
| 149                  | ●          | 14400.41.0                            | OBJEKTIVTRAEGER<br>★<br>★   | 1   |    |    |    |    | → 1961<br>SIEHE / SEE 2.05.0220<br>04000.44.2-W002<br>04790.41.0-W013   |
| 149A                 | ●          | 14400.41.1                            | LENS CARRIER<br>OBJEKTIVTRAEGER<br>★<br>★<br>★<br>★<br>★<br>★<br>★<br>★ | 1   |    |    |    |    | 1961 →<br>SIEHE / SEE 2.05.0220<br>04000.50.0-W001<br>04700.47.0-W001<br>14000.99.1-W021<br>17000.41.0-W002<br>L-5074 + 75030.41.0-W002<br>11.072-HS + 11.258<br>20.021 + 20.083<br>20.006 + 20.502 |
| 150                  |            | 01087.82.0                            | LENS CARRIER<br>LINSENSCHRAUBE<br>OVAL-HEAD SCREW                       | 3   |    |    |    |    |   |
| 151                  | ●          | 17011.00.0                            | LAGERBLECH<br>BEARING PLATE   | 1   |    |    |    |    | → 1961  |
| 151A                 | A          | 17011.00.2                            | LAGERBLECH<br>BEARING PLATE   | 1   |    |    |    |    | 1961 →  |
| 152                  |            | 14000.04.0                            | DICHTUNGSRING<br>LIGHT SEAL RING  | 1   |    |    |    |    | 1961 →  |
| 153                  | X          | 04580.00.1                            | KOERPERRING 1,0 ●<br>HOUSING RING 1,0                                   | 1   |    |    |    |    | → 1961  |
| 153A                 | A          | 04580.00.3                            | KOERPERRING 0,6<br>HOUSING RING 0,6                                     | 1   |    |    |    |    | 1961 →  |
| 154                  |            | 04584.00.0                            | KABELSCHELLE<br>CABLE CLAMP   | 1   |    |    |    |    |   |
| 155                  | ●          | 14000.70.0                            | ROLLEIFLEX, TEILMONTIERT<br>ROLLEIFLEX, PREASSY                         | 1   |    |    |    |    | → 1961<br>SIEHE / SEE 2.03.0220   |
| 155A                 | ●          | 14000.70.1                            | ROLLEIFLEX, TEILMONTIERT<br>ROLLEIFLEX, PREASSY                         | 1   | 1  |    |    |    | 1961 → 1966<br>SIEHE / SEE 2.03.0220  |
| 155B                 | ●          | 14000.70.2                            | ROLLEIFLEX, TEILMONTIERT<br>ROLLEIFLEX, PREASSY                         | 1   |    |    |    |    | 1966 → 1971<br>SIEHE / SEE 2.03.0220  |
| 155C                 | ●          | 14000.70.3                            | ROLLEIFLEX, TEILMONTIERT<br>ROLLEIFLEX, PREASSY                         | 1   |    |    |    |    | 1971 →<br>SIEHE / SEE 2.03.0220   |



**REPARATUR-HINWEISE, JUSTIERANGABEN, SCHMIERPUNKTE**

**REPAIR AND ADJUSTMENT INSTRUCTIONS, LUBRICATION POINTS**

18. Abnehmen bzw. Aufsetzen des Objektivträgers.  
**Beachte:** Lage der Schlitzbuchsen Pos. 30 (2.05.0221) nicht verändern, da sonst die Auszugslänge völlig neu justiert werden muss.
- Objektivträger Pos. 149 A auf Gleitschienen setzen.  
**Beachte:** Objektivträger darf nicht kippen, bei Bedarf Schlitzbuchsen nachstellen.  
Objektivträger mit Senkschrauben Pos. 147 festschrauben und Triebgang prüfen.
  - Optische Achse** mit Messtisch **prüfen:**  
Toleranz: 0,05 mm diagonal über Filmgleitfläche gemessen.  
Bei Bedarf: Gewinde buchsen nachstellen
  - $\infty$ -Einstellung des Aufnahmeobjektives am Kollimator bei Blende 4 **prüfen:**  
 $\pm 2$  Teilstriche (75/80 Skala)  
Bei kleineren Abweichungen kann der Anschlag der Einstellkurven nachgestellt werden.  
Bei grösseren Abweichungen müssen die Schlitzbuchsen nachgestellt und die „Optische Achse“ sowie der Triebgang nachgeprüft werden.
19. Körpering Pos. 153 A auf Ebenheit und leichten Gang prüfen.

18. Removing or fitting lens carrier.  
**Note:** Do not alter position of slotted bushes item 30 (2.05.0221) as otherwise the extension will have to be completely readjusted.
- Place lens carrier item 149A on sliding rails.  
**Note:** Lens carrier should not tilt, if necessary adjust slotted bushes.  
Secure lens carrier with countersunk screws item 147 and check rack and pinion.
  - Check optical axis** with test bench:  
Tolerance: 0.05 mm measured diagonally across film slide face.  
If necessary: Adjust threaded bushes.
  - Check  $\infty$  setting** of the taking lens on the Collimator at f/4:  
 $\pm 2$  graduations (75/80 scale)  
With lesser deviations the stop of the adjusting cams can be adjusted.  
In the case of major deviations the slotted bushes must be adjusted and the „optical axis“ plus the rack and pinion must be checked.
19. Check body ring item 153 A for flatness and freedom of movement.

| POS.<br>ITEM<br>POS. | X R<br>K ● | SACH-NR.<br>PART-NR.<br>NO. DE PIÈCES | BENENNUNG<br>DESCRIPTION<br>DÉSIGNATION | STÜCK PRO<br>VARIANTE<br>QTY-TYPE<br>PIECES PAR<br>VARIANTE |    |    |    |    | BEMERKUNG<br>REMARK<br>OBSERVATION |
|----------------------|------------|---------------------------------------|---|---|----|----|----|----|------------------------------------|
|                      |            |                                       |   | 00  | 01 | 02 | 03 | 04 |                                    |
|                      |            |                                       |   |   |    |    |    |    |                                    |