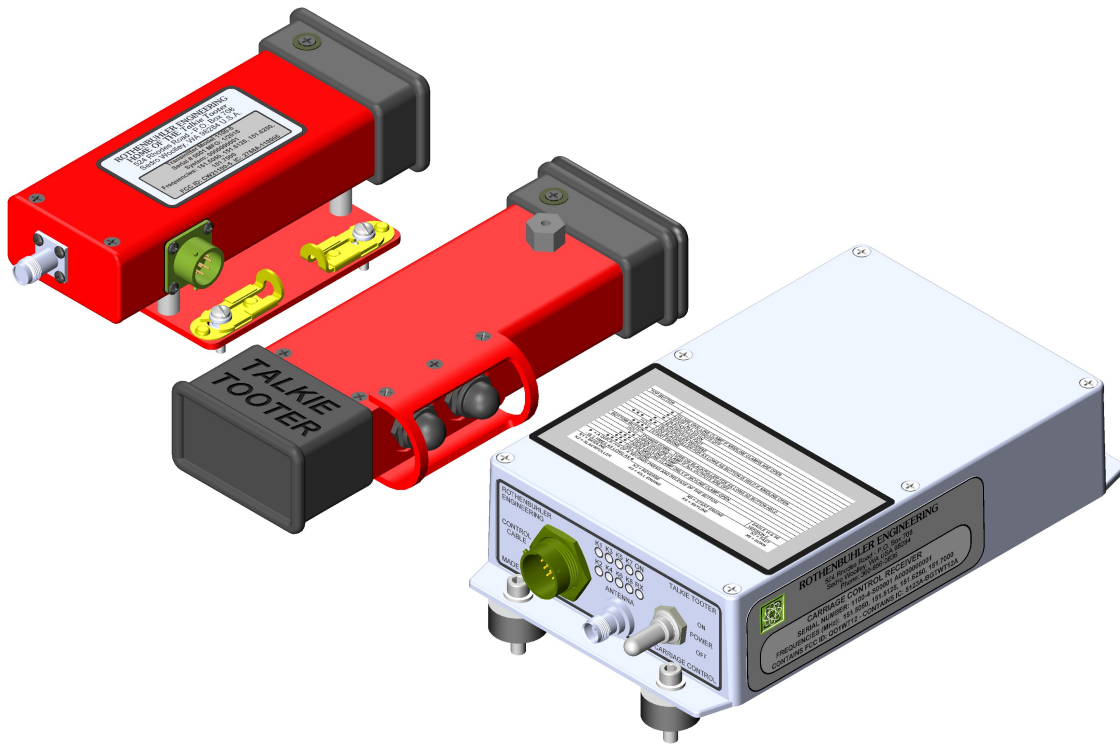




ROTHENBUHLER ENGINEERING®

TALKIE TOOTER 1100 USER MANUAL



The information contained in this document is subject to change without notice. In no event shall Rothenbuhler Engineering Company be liable for errors contained herein or for special, indirect, or consequential damages or injuries of any nature resulting from use of information in this document.

ROTHENBUHLER ENGINEERING
P.O. BOX 708
524 RHODES ROAD
SEDRO WOOLLEY, WA 98284

1100-A19
2/12/2015

©2015 Rothenbuhler Engineering
All Rights reserved

TABLE OF CONTENTS

TABLE OF CONTENTS	2
SAFETY WARNINGS	3
LIMITED WARRANTY.....	4
REGULATORY INFORMATION	5
FCC Notice	5
RADIATION HAZARD WARNING.....	5
TRANSMITTER OPERATION.....	7
<i>EAGLE VI HYDRAULIC OR SUPER EAGLET SLACKPULLER</i>	7
<i>EAGLE SLACKPULLER</i>	8
<i>EAGLE V & D7 DRUM CARRIAGE</i>	9
<i>EAGLE VI WINCH</i>	10
<i>ACME 3 SPEED SLACKPULLER</i>	11
BATTERY CHARGING.....	12
TRANSMITTER SPECIFICATIONS.....	13
AUTHORIZED TALKIE TOOTER SALES AND SERVICE CENTERS	14
<i>CALIFORNIA</i>	14
<i>IDAHO</i>	14
<i>MONTANA</i>	14
<i>OREGON</i>	14
<i>WASHINGTON</i>	15
<i>AUSTRALIA</i>	15
<i>CANADA</i>	15
<i>CANADA (continued)</i>	16
<i>CHILE</i>	16
<i>NEW ZEALAND</i>	16

SAFETY WARNINGS

- 1) Always follow your local safety regulations. This manual and its procedures are secondary to governmental regulations, local regulations or company safety regulations and procedures. The operation procedures in this manual are only suggestions and should be checked against the above safety regulations and procedures. Company training should include the proper use of this equipment and only trained personnel should use it.
- 2) Never rely on this equipment or any equipment totally for your safety. All mechanical and electronic equipment can fail. Always have a safety procedure that will protect you and minimize hazards of such failure.
- 3) This Talkie Tooter® Radio Equipment should be installed by a Factory Authorized installer. Improper installation may result in Safety Hazards, Poor Performance and/or Damage to Equipment, which may not be covered by warranty.
- 4) The 1059-4 Battery Chargers is for dry indoor use only. Only use a manufacturer authorized battery charger. Attempting to use an unauthorized battery charger may result in a safety hazard and equipment damage may occur. Disconnect the battery charger from the unit when charging has completed.
- 5) Do not connect the 1100-5 Yarder Transmitter to a battery charger. The Yarder Transmitter does not have a battery and may be damaged if connected to a battery charger.
- 6) This equipment does not include any internal user serviceable items. Opening the internal cases is strictly prohibited and may result in safety hazards and equipment damage.
- 7) Return the equipment to the manufacturer or authorized service center if has been damaged or is not operating correctly.
- 8) Do not operate the equipment if it has been damaged, is suspected of being damaged, or does not operate correctly.
- 9) Only manufacturer authorized parts and accessories are allowed to be used with this equipment.
- 10) The internal battery is not user replaceable. When battery replacement is necessary, the replacement must be conducted by trained personnel of a manufacturer authorized service center using only factory approved batteries. Use of an unauthorized battery may result in equipment damage and / or a hazardous condition.
- 11) If this equipment is used in a manner not specified by the manufacturer, the protection provided by the equipment may be impaired.

LIMITED WARRANTY

Your *Talkie Tooter*® Radio Equipment is guaranteed for 2 years (batteries - 1 year) against defects and workmanship. If your *Talkie Tooter* equipment should break down during this period, we will repair it at our factory or at the nearest authorized service shop. Only an authorized dealer may perform warranty service on your *Talkie Tooter* equipment. Unauthorized service procedures or parts will void and cancel your warranty, and may cause radio equipment to fail, resulting in accidents and personal injury.

This is a limited warranty and is given in place of legally implied warranties of merchantability and fitness for a particular purpose. Our liability is expressly limited to the cost of repair or replacement of the *Talkie Tooter* under this guarantee, and does not extend to additional or consequential damages resulting from operation of the *Talkie Tooter* equipment.

REGULATORY INFORMATION

UNITED STATES

FCC Notice

This device complies with Part 15 of the FCC regulations. Operation is subject to the following two conditions: (1) That this device may not cause harmful interference, and (2) This device must accept any interference received, including interference that may cause undesired operation.

The radio contained in this device operates in FCC regulated frequency bands. This device must be licensed by the FCC before use. Because this device contains a transmitter, federal law prohibits unauthorized use or adjustments of this radio.

RADIATION HAZARD WARNING

This equipment's radiation levels in combination with its output power, antenna gain, and maximum duty cycle are below the safe level limits for general population as specified by Industry Canada. Although the equipment's radiation levels are below the safe level limits, it is a good general practice to minimize any radiation exposure to only that which is necessary.

Les niveaux de rayonnement de cet équipement en combinaison avec sa puissance de sortie , gain d'antenne , et le cycle de service maximal sont inférieures aux limites de niveau de sécurité pour la population générale comme spécifié par Industrie Canada . Bien que les niveaux de radiation de l'équipement sont inférieures aux limites de niveau de sécurité , ce est une bonne pratique générale pour minimiser toute exposition aux rayonnements que ce qui est.

CANADA

******This Class B digital apparatus meets all requirements of the Canadian Interference-Causing Equipment Regulations.

Cet appareil numérique de la classe B respecte toutes les exigences du Règlement sur le matériel brouilleur du Canada.

Under Industry Canada regulations, these radio transmitter models may only operate using an antenna of a type and maximum (or lesser) gain approved for the transmitters by Industry Canada. To reduce potential radio interference to other users, the antenna type and its gain should be so chosen that the equivalent isotropically radiated power (e.i.r.p.) is not more than that necessary for successful communication.

These radio transmitter models 1100-3, 1100-3D & 1100-5 have been approved by Industry Canada (IC 2758A-110005) to operate with the antenna types listed below with the maximum permissible gain and required antenna impedance for each antenna type

indicated. Antenna types not included in this list, having a gain greater than the maximum gain indicated for that type, are strictly prohibited for use with this device.

1100-3 Carriage Transmitter – Integral Antenna: gain -9dBi

1100-3D Carriage Transmitter – Antenna: ¼ wave whip, gain 0dBi

1100-5 Yarder Transmitter - Antenna: ¼ wave whip, gain 2.15 dBi

Only Factory accessories are approved for use with this device – e.g. third party holsters, belt clips etc. are not approved for use.

Contact information where the user can obtain Canadian information on RF exposure and compliance.

1. Health Canada Safety Code 6:

http://www.hc-sc.gc.ca/ewh-semt/pubs/radiation/radio_guide-lignes_direct-eng.php

2. RSS-102:

<http://www.ic.gc.ca/eic/site/smt-gst.nsf/eng/sf01904.html>

En vertu des règlements d'Industrie Canada , ces modèles d'émetteurs de radio ne peuvent fonctionner en utilisant une antenne d'un type et maximale (ou moins) Gain approuvé pour les émetteurs par Industrie Canada . Pour réduire les interférences radio potentielles aux autres utilisateurs , le type d'antenne et son gain doivent être choisis afin que la puissance isotrope rayonnée équivalente (PIRE) ne est pas plus de ce qui est nécessaire pour une communication réussie .

Ces modèles d'émetteurs radio 1100-3 et 1100-5 ont été approuvés par Industrie Canada (IC 2758A - 110005) pour fonctionner avec les types d'antenne énumérés ci-dessous avec le gain maximal admissible et l'impédance d'antenne requise pour chaque type d'antenne indiqué . Types d'antennes ne figurant pas dans cette liste , ayant un gain supérieur au gain maximum indiqué pour ce type , sont strictement interdits pour une utilisation avec cet appareil .

1100-3 transport émetteur - antenne intégrée : gagner -9dBi

1100-3D transport émetteur - Antenne: ¼ fouet d'onde , gagner 0 dBi

1100-5 Yarder émetteur - Antenne: ¼ fouet d'onde , gagner 2,15 dBi

Seuls les accessoires d'usine sont approuvés pour une utilisation avec cet appareil - par exemple étuis de tiers, ceinture clips, etc ne sont pas approuvés pour l'utilisation.

Les coordonnées où l'utilisateur peut obtenir de l'information canadienne sur l'exposition aux radiofréquences et la conformité.

1. Santé Canada Code de sécurité 6:

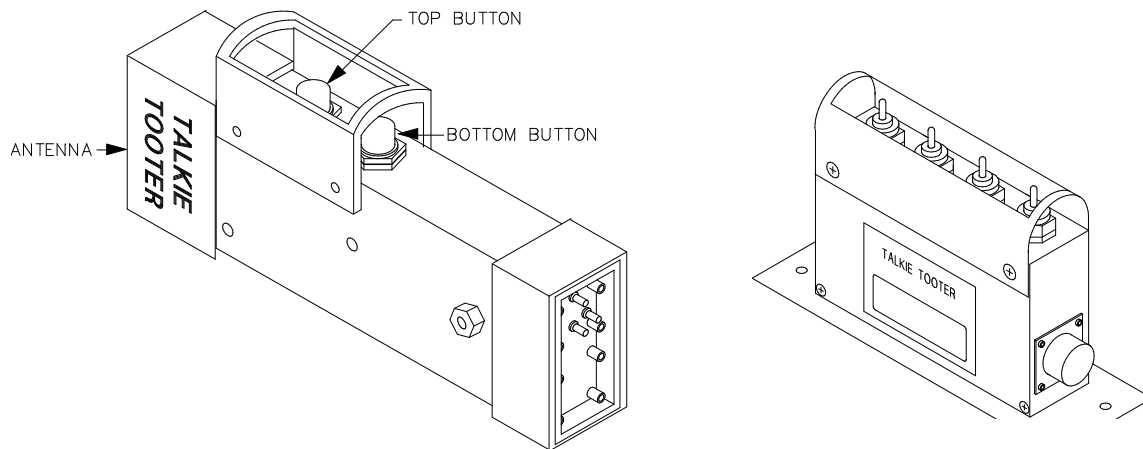
http://www.hc-sc.gc.ca/ewh-semt/pubs/radiation/radio_guide-lignes_direct-eng.php

2. RSS-102:

<http://www.ic.gc.ca/eic/site/smt-gst.nsf/eng/sf01904.html>

TRANSMITTER OPERATION

EAGLE VI HYDRAULIC OR SUPER EAGLET SLACKPULLER



The transmitter is worn around the waist using the attached belt. To operate the transmitter it must be tilted so the antenna end is pointing up. The transmitter has two push buttons. The button closest to the antenna is the UP or TOP button. The other button is the DOWN or BOTTOM button. Send a signal by pressing either button for at least 1/10 of a second, but less than 1 second.

TOP BUTTON	
●	CLOSE SKIDLINE CLAMP IF SKIDLINE CLAMP AND SKYLINE CLAMP OPEN
●	STOP / ALL OUTPUTS OFF
●	SLACKPULLER
● —	SLACKPULLER FAST
●●● ●●	SLACKPULLER REVERSE
HOLD	PULSE SLACKPULLER IF SKIDLINE CLAMP OPEN
●●●●	START ENGINE
BOTTOM BUTTON	
HOLD	POWER DOWN
●●	OPEN SKIDLINE CLAMP IF ALL OUTPUTS ARE OFF
●●●	OPEN SKYLINE CLAMP
●●●	OPEN SKIDLINE CLAMP ONLY IF SKYLINE CLAMP OPEN
●●●●	KILL ENGINE

● Is a quick (1/4 of a second) press and release of the button.

— Is three times as long as a ●.

Transmitter antenna must be pointed up to send signal!

DISCONNECT RADIO WHEN JUMP STARTING OR WELDING ON MACHINE.

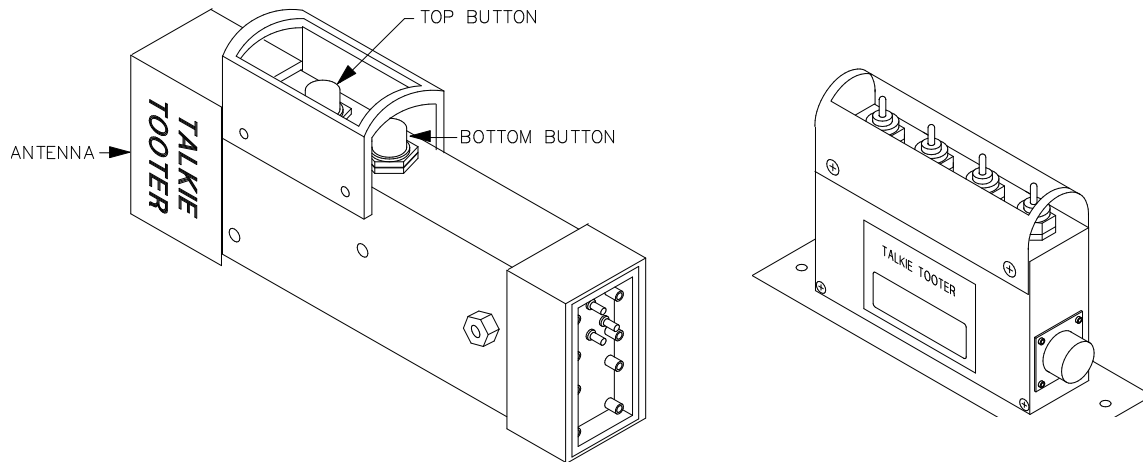
CAUTION!!

WIRING INFORMATION FOR THE YARDER TRANSMITTER

CONNECTING WIRES INCORRECTLY WILL CAUSE DAMAGE TO TRANSMITTER

- **24 Volt System:** Connect the **white** wire **ONLY** to 24 volts and the **black** wire to battery ground.
- **12 Volt System:** Connect the **red** wire **ONLY** to 12 volts and the **black** wire to battery ground.
- **Note:** Green wire is not used.

EAGLE SLACKPULLER



The transmitter is worn around the waist using the attached belt. To operate the transmitter it must be tilted so the antenna end is pointing up. The transmitter has two push buttons. The button closest to the antenna is the UP or TOP button. The other button is the DOWN or BOTTOM button. Send a signal by pressing either button for at least 1/10 of a second, but less than 1 second.

TOP BUTTON	
●	SLACKPULLER / STOP
● —	SLACKPULLER FAST
●●	PULSE SLACKPULLER IF SLACK IS OFF AND SKIDLINE IS OPEN
●●●●	START ENGINE
BOTTOM BUTTON	
●	STOP
●	CLOSE SKIDLINE CLAMP IF BOTH CLAMPS ARE OPEN
●●	OPEN SKIDLINE CLAMP IF ALL OUTPUTS ARE OFF
●●●	OPEN SKYLINE CLAMP
●●●	LANDING BRAKE ON ONLY IF SKYLINE CLAMP OPEN
●●●●	KILL ENGINE
Version PB4	

- Is a quick (1/4 of a second) press and release of the button.
- Is three times as long as a ●.

Transmitter antenna must be pointed up to send signal!

DISCONNECT RADIO WHEN JUMP STARTING OR WELDING ON MACHINE.

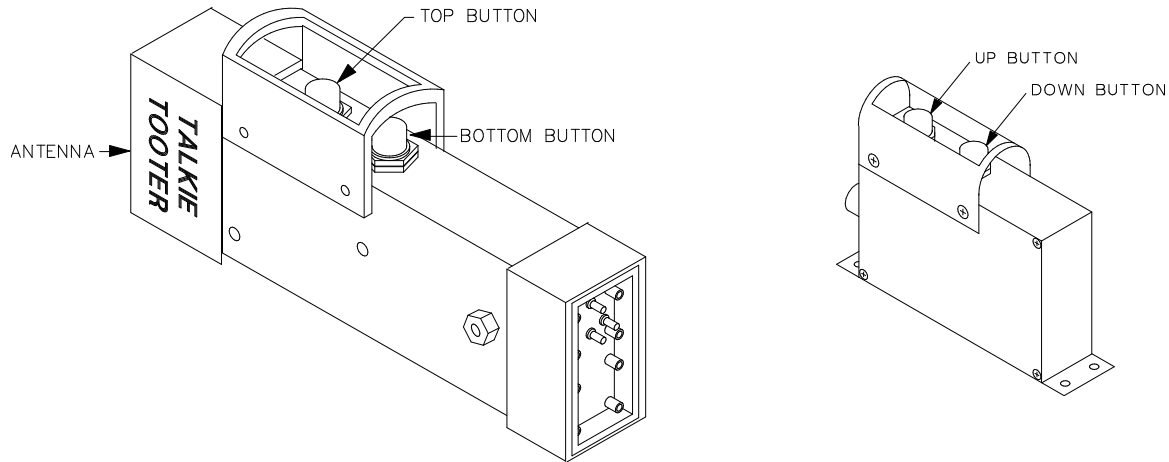
CAUTION!!

WIRING INFORMATION FOR THE YARDER TRANSMITTER

CONNECTING WIRES INCORRECTLY WILL CAUSE DAMAGE TO TRANSMITTER

- **24 Volt System:** Connect the **white** wire **ONLY** to 24 volts and the **black** wire to battery ground.
- **12 Volt System:** Connect the **red** wire **ONLY** to 12 volts and the **black** wire to battery ground.
- **Note:** Green wire is not used.

EAGLE V & D7 DRUM CARRIAGE



WHISTLE CODES

UP BUTTON	FUNCTION		HORN
#	STOP		●
HOLD	UP SLOW	FROM STOP	●●● ●●●
# HOLD	UP FAST	FROM STOP	●●●
# HOLD	SLOW TO FAST	FROM UP SLOW	●●●
# HOLD	FAST TO SLOW	FROM UP FAST	●●● ●●●
####	START ENGINE	FROM STOP	— ●

UP WILL STOP WHEN UP BUTTON IS RELEASED.

DOWN BUTTON	FUNCTION		HORN
#	DOWN SLOW	FROM STOP	●●●● ●●●●
##	DOWN FAST	FROM STOP	●●●●
##	DOWN SLOW TO FAST	FROM DOWN SLOW	●●●●
##	DOWN FAST TO SLOW	FROM DOWN FAST	●●●● ●●●●
## ##	CLOSE SKY CLAMP		●● ●●
###	OPEN SKYLINE CLAMP		●●●
####	KILL ENGINE	FROM STOP	● —
#	STOP		●

= A QUICK (1/4 OF A SECOND) PRESS AND RELEASE OF THE BUTTON.

TRANSMITTER ANTENNA MUST BE POINTED UP TO SEND SIGNAL!

START ENGINE AND KILL ENGINE **MUST** BE FROM A STOP!

DISCONNECT RADIO WHEN JUMP STARTING OR WELDING ON MACHINE.

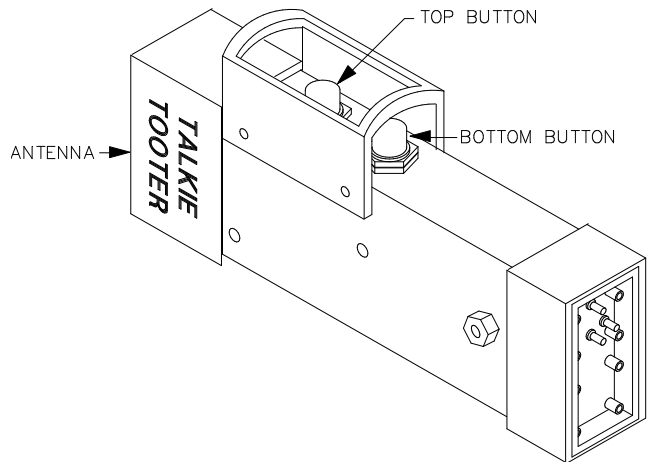
CAUTION!!

WIRING INFORMATION FOR THE YARDER TRANSMITTER

CONNECTING WIRES INCORRECTLY WILL CAUSE DAMAGE TO TRANSMITTER

- **24 Volt System:** Connect the **white** wire **ONLY** to 24 volts and the **black** wire to battery ground.
- **12 Volt System:** Connect the **red** wire **ONLY** to 12 volts and the **black** wire to battery ground.
- **Note:** Green wire is not used.

EAGLE VI WINCH



The transmitter is worn around the waist using the attached belt. To operate the transmitter it must be tilted so the antenna end is pointing up. The transmitter has two push buttons. The button closest to the antenna is the UP or TOP button. The other button is the DOWN or BOTTOM button. Send a signal by pressing either button for at least 1/10 of a second, but less than 1 second.

TOP BUTTON	
●	/STOP / ALL OUTPUTS OFF
HOLD	UP SLOW
●●	UP FAST
●●●	OPEN SKYLINE CLAMP
●●●●	START ENGINE
BOTTOM BUTTON	
HOLD	DOWN SLOW
●●	DOWN FAST
● —	CLOSE SKYLINE CLAMP
●●●●	KILL ENGINE
EAGLE VI WINCH	

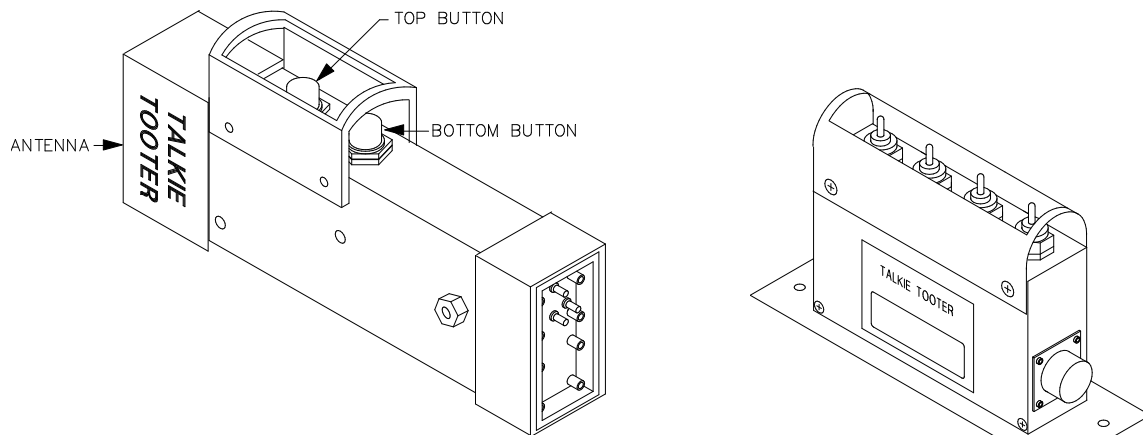
● Is a quick (1/4 of a second) press and release of the button.

— Is three times as long as a ●.

Transmitter antenna must be *pointed up* to send signal!

DISCONNECT RADIO WHEN JUMP STARTING OR WELDING ON MACHINE.

ACME 3 SPEED SLACKPULLER



The transmitter is worn around the waist using the attached belt. To operate the transmitter it must be tilted so the antenna end is pointing up. The transmitter has two push buttons. The button closest to the antenna is the UP or TOP button. The other button is the DOWN or BOTTOM button. Send a signal by pressing either button for at least 1/10 of a second, but less than 1 second.

TOP BUTTON	
●	TOGGLE SLACKPULLER SLOW / STOP / CLOSE SKYLINE CLAMP
●●	TOGGLE SLACKPULLER MEDIUM
●●	PULSE SLACKPULLER MEDIUM IF SLACK IS OFF AND SKIDLINE IS OPEN
●●	SLACKPULLER SLOW IF SLACKPULLER FAST ON
●●●	TOGGLE SLACKPULLER FAST
●●●	PULSE SLACKPULLER FAST IF SLACK IS OFF AND SKIDLINE IS OPEN
●● —	YARD/HAUL
●●●●	START ENGINE
BOTTOM BUTTON	
●	STOP
●	CLOSE SKIDLINE CLAMP IF BOTH CLAMPS ARE OPEN
●●	OPEN SKIDLINE CLAMP IF ALL OUTPUTS ARE OFF
●●	CLOSE SKYLINE CLAMP IF BOTH CLAMPS ARE OPEN
— ●●	TOGGLE SKIDLINE CLAMP
●● —	TOGGLE SKYLINE CLAMP
●●●	OPEN SKYLINE CLAMP
●●●	OPEN SKIDLINE IF SKYLINE CLAMP OPEN
●●●●	KILL ENGINE
ACME – VER. 6	

● Is a quick (1/4 of a second) press and release of the button.

— Is three times as long as a ●.

Transmitter antenna must be pointed **up** to send signal!

DISCONNECT RADIO WHEN JUMP STARTING OR WELDING ON MACHINE.

CAUTION!!

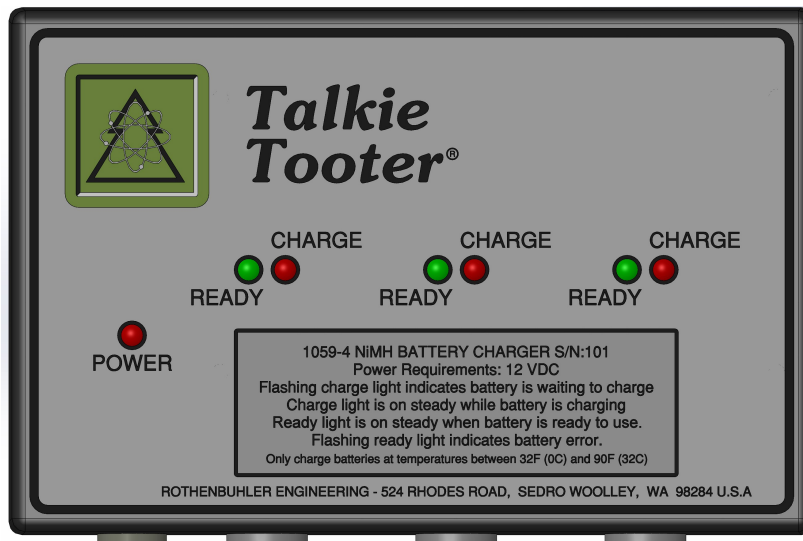
WIRING INFORMATION FOR THE YARDER TRANSMITTER

CONNECTING WIRES INCORRECTLY WILL CAUSE DAMAGE TO TRANSMITTER

- **24 Volt System:** Connect the **white** wire **ONLY** to 24 volts and the **black** wire to battery ground.
- **12 Volt System:** Connect the **red** wire **ONLY** to 12 volts and the **black** wire to battery ground.
- **Note: Green wire is not used.**

BATTERY CHARGING

The 1059-4 Battery Charger is manufacturer authorized for charging 1100-3 Carriage Transmitters. Only use a manufacturer authorized battery charger. Attempting to use an unauthorized battery charger may result in a safety hazard and equipment damage may occur.



Picture 1 1059-4 Battery Charger

The 1059-4 Battery Charger is for dry indoor use within temperature range of 32F (0C) to 90F (32C) only.

The 1059-4 Battery Charger is powered by the supplied 12VDC wall adapter or optional vehicle accessory power cord. Only use the manufacturer authorized supplied wall adapter or vehicle accessory power cord to power the 1059-4 Battery Charger.

The 1059-4 Battery Charger can charge up to (3) transmitters at a time. Connect a charge cord to the charge pins of a Carriage Transmitter. The red charge light for that charge station will begin flashing. When the charger detects the battery conditions are correct for rapid charging, the red charge light will turn on solid. When charging has completed, the green ready light for that charge station will turn on solid. If the green ready light flashes, it typically means the charging terminated because the battery temperature reached its upper limit – which is normal. Typical time for a complete recharge is 3 hours. Disconnect the battery charger from the unit when charging has completed

Do not connect the 1100-5 Yarder Transmitter to a battery charger. The Yarder Transmitter does not have a battery and may be damaged if connected to a battery charger.

TRANSMITTER SPECIFICATIONS

GENERAL

CARRIER FREQUENCY: VHF 150 – 174 MHz
 FCC: CW21100-5
 IC: VHF2758A-110005

Max. Operating Temp** -22°F to 140°F (-30 to 60°C)
 Rec. Operating Temp** -4°F to 122°F (-20 to 50°C)
 Storage Temp** -4°F to 95°F (-20 to 35°C)
 Charge Temp 32°F to 90°F (0 to 32°C)

CARRIAGE TRANSMITTERS

FREQUENCY STABILITY ± 2.5 PPM
 MODULATION 9K00F2D
 TRANSMIT POWER 0.45 Watts
 OPERATING VOLTAGE 14.4 VDC
 TRANSMISSION RANGE 1/2 mile*
 SIZE 9 x 3.8 x 1.8 in
 23 x 9.7 x 4.6 cm
 WEIGHT 1.9 lbs
 0.9 kg
 CASE Aluminum
 INGRESS PROTECTION Water Tight
 COLOR Red or Yellow
 BATTERY PACK Rechargeable NiMH
 BATTERY RUN TIME AT 68°F (20°C)
 Actual Transmit Time ~1 hour
 Complete Recharge ~3 hours
 CURRENT DRAW
 Transmitting 0.35 Amps
 Standby 0.05 Amp

YARDER TRANSMITTER

FREQUENCY STABILITY ± 2.5 PPM
 MODULATION 9K00F2D
 TRANSMIT POWER 0.45 Watts
 OPERATING VOLTAGE 12 VDC / 24 VDC
 TRANSMISSION RANGE 1/2 mile*
 SIZE 7.8 x 4.5 x 2.5 in
 20 x 11.4 x 6.4 cm
 WEIGHT 1.7 lbs
 0.8 kg
 CASE Aluminum
 INGRESS PROTECTION Water Tight
 COLOR Red or Yellow
 CURRENT DRAW
 Transmitting 1/2 Amp
 Standby 0.02 Amp

NOTES:

***Line-of-sight. Typical transmission range based on transmit power, frequency, terrain, and local interference.**

****Exceeding the recommended temperature range may result in reduced battery life or damage to battery.**

AUTHORIZED *TALKIE TOOTER* SALES AND SERVICE CENTERS

CALIFORNIA

DON'S COMMUNICATIONS
1263 Piñon Avenue
Anderson, CA 96007
530-364-3218

FISHER WIRELESS
2081 Wellmar Drive
Ukiah, CA 95482
707-462-9736

RWS SERVICES
165 S. Fortuna Boulevard
Fortuna, CA 95540
707-725-9702

SIX RIVERS COMMUNICATIONS
4060 Broadway Street
Eureka, CA 95503
707-443-4448

IDAHO

CLARK COMMUNICATIONS
2200 8th Avenue
Lewiston, ID 83501
208-746-9671

TRI-PEAKS TELEMObILE
135 North 9th Street
St. Maries, ID 83861
208-245-3472

MONTANA

KAL-COMM / PAGE NW / MOBILE FONE
15 – 18th Street East
Kalispell, MT 59901
406-752-5373

OREGON

ACME MANUFACTURING
90099 Prairie Road
Eugene, OR 97402
541-741-2200

BILLMEYER 2-WAY COMMUNICATIONS
287 South 7th Street
COOS BAY, OR 97420
541-267-8354

CAGLE COMMUNICATIONS
2141 N.E. Airport Road #9
Roseburg, OR 97470
541-672-1233

DAY WIRELESS SYSTEMS
4350 Old Melrose Road
Roseburg, OR 97471
541-672-2074

RACOM
301 Cherry Street
La Grande, OR 97850
541-963-5232

RADIO COMMUNICATIONS
Aka COMPLETE WIRELESS
1245 Washington Street S.W.
Albany, OR 97321
541-928-1631
1-800-394-4404

SILKE COMMUNICATIONS
680 Tyler Street
Eugene, OR 97402
541-687-1611

TELETRON COMMUNICATIONS &
ELECTRONICS
1072 S. 2nd Street
Coos Bay, OR 97420
541-269-2337

Authorized Talkie Tooter Sales and Service Centers (continued)

WASHINGTON

CSI COMMUNICATIONS dba
DAY WIRELESS SYSTEMS
39 International Way
Longview, WA 98632
360-423-3690

CSI COMMUNICATIONS dba
DAY WIRELESS SYSTEMS
1506 Wishkah Drive
Aberdeen, WA 98520
360-533-5857

CASCADE COMMUNICATIONS
1540 Industrial Way
Longview, WA 98632
360-425-6720

HOWARD SHAFER
159 BROCKWAY ROAD
CHEHALIS, WA 98532
360-748-1000

NORRIS HERRON'S RADIO SHOP
301 Lincoln Street
Hoquiam, WA 98550
360-532-1482

RICHMOND 2-WAY RADIO
1246 W. Highway 101
Port Angeles, WA 98362
360-460-0293

ROTHENBUHLER ENGINEERING/
TALKIE TOOTER
524 Rhodes Road
Sedro Woolley, WA 98284
360-856-0836

WENTZ ELECTRONICS
38523 S.E. King Street
Snoqualmie, WA 98065
425-888-0939

WASHINGTON (continued)

WHISLER COMMUNICATIONS
2875 R.W. JOHNSON BLVD. S.W.
OLYMPIA, WA 98512
360-352-8777

AUSTRALIA

MARCOM-WATSON GROUP
47-49 McKenzie Street
Mowbray, Tasmania 7248
613-6323-8800

CANADA

ALBERNI COMMUNICATIONS & ELECT.
4570 – 10th Avenue
Port Alberni, B.C. V9Y 4G1
250-724-0655

CANYON COMMUNICATIONS
1405 – 7th Avenue South
GOLDEN, B.C. V0A 1H0
250-344-2504

CENTRAL INTERIOR COMMUNICATION
3663 Opie Crescent
Prince George, B.C. V2N 1B9
250-564-5517

GREENDALE MOBILE RADIO
15-43915 Industry Way
Chilliwack, B.C. V2R 3A4
604-793-6115

ISLAND COMMUNICATIONS LTD.
2540 Bowen Road
Nanaimo, B.C. V9T 3L3
250-758-7301

QUINSAM RADIO COMMUNICATIONS
1437B – 16th Avenue
Campbell River, B.C. V9W 2E4
250-287-4541

Authorized Talkie Tooter Sales and Service Centers (continued)

CANADA (continued)

COAST MOUNTAIN WIRELESS
COMMUNICATIONS LTD.
2809 Kalum Street
TERRACE, B.C. V8G 2M4
250-638-0577

VELLA RADIOLINKS LTD.
810A Trans-Canada Hwy. S.W.
Salmon Arm, B.C. V1E 1S9
250-803-0539

VICTORIA MOBILE RADIO LTD.
3300 Tennyson Avenue
Victoria, B.C. V8Z 3P3
250-475-2425

WIDEBAND RADIO PRODUCTS
274 Westwood Road
Nanaimo, B.C. V9R 6S4
250-754-2887

CHILE

TELECOMUNICACIONES Y REDES
PO Box 1601
Concepcion
56-41-246465

NEW ZEALAND

ALCOM COMMUNICATIONS
295 Tengae Road
Rotorua
647 347-6655

COLVINS LTD.
19 Hirini Street
Gisborne
646-868-7225

FOREST COMMUNICATIONS, LTD.
Hillcrest, Kinleith
Tokoroa
647-886-0441

NEW ZEALAND (continued)

INTEMANN ELECTRONICS
22 Hikutaria Road
Opotiki
647-315-6945

J. V. ELECTRONICS
Stafford Loop Road
Hokitika
643-755-6296

COMMUNICATION NETWORKS MGT.,
LTD.
65 Riri Street
Rotorua
0274 / 875225

TERRAIN
6 Miro Street
Taupo
647-378-4754

STEELCOM ELECTRONICS
225 Lower Port Road
Whangarei
649-438-4644

1/9/2015