

Description	Assembly Letter	Quantity	Required Tools
Floor	J-5H51	1	Safety Glasses Rubber Mallet Phillips Screw Driver Liquid Soap (2) Step Stools/Stepladders
Left Side Panel	C	1	
Right Side Panel	D	1	
Left Back Panel	E	1	
Right Door Panel	F	1	
Right Back Panel	G	1	
Left Front Panel	H	1	
Right Front Panel	J	1	
Left Door Panel	K	1	
Gable	M	2	
Left Roof Panel	N	1	
Right Roof Panel	P	1	
Wall Connector	Q	4	
Ridge Beam	R	1	
Lock Hasp	X	1	
#14 x 1.0" Combo Pan Head Screw	AA	24	
1/4-20 x 0.5" Combo Round Head Bolt	BB	2	
1/4-20 Flat Washer	CC	2	
1/4-Hex Nut	DD	2	
Roof Pin	EE	4	

## 1S85

### RUBBERMAID

#### 7' x 3'6" RESIN STORAGE BUILDING

#### ASSEMBLY INSTRUCTIONS

**Pre-Assembly:**

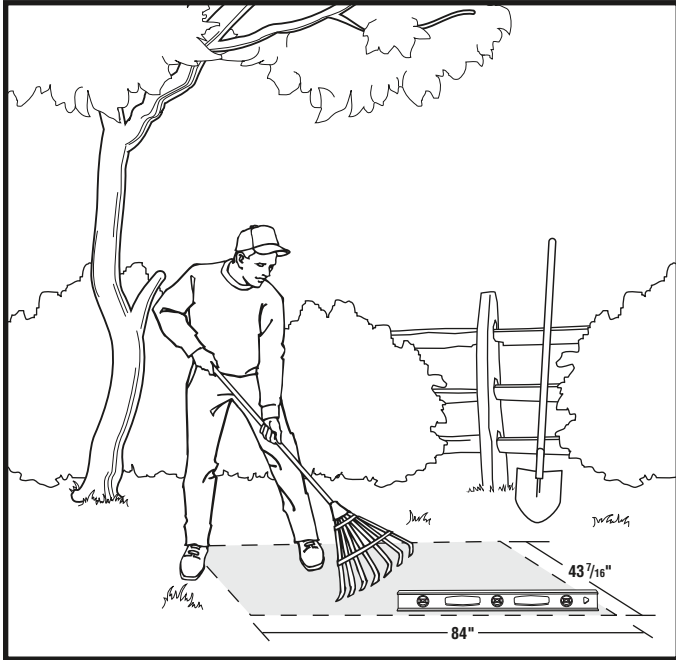
- Review the parts list and make sure that no parts are missing.
- Level the area where the shed will be located.
- Areas of "fill dirt" should be tamped/compacted to prevent settling/sinking.
- If a foundation is desired, it should be constructed before assembly.

**NOTE:**  
To simplify assembly and to ensure proper engagement of all components, apply a mild detergent to dovetail and snap fits before assembling.

**Two Person Assembly**

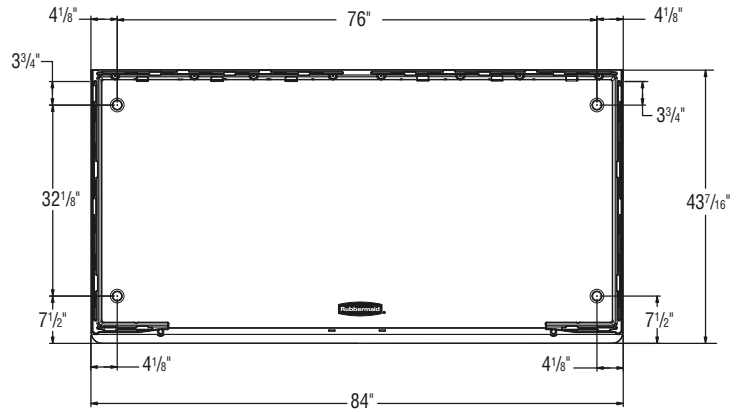
# 1

Level construction site before beginning assembly of shed. A foundation may be constructed if desired.



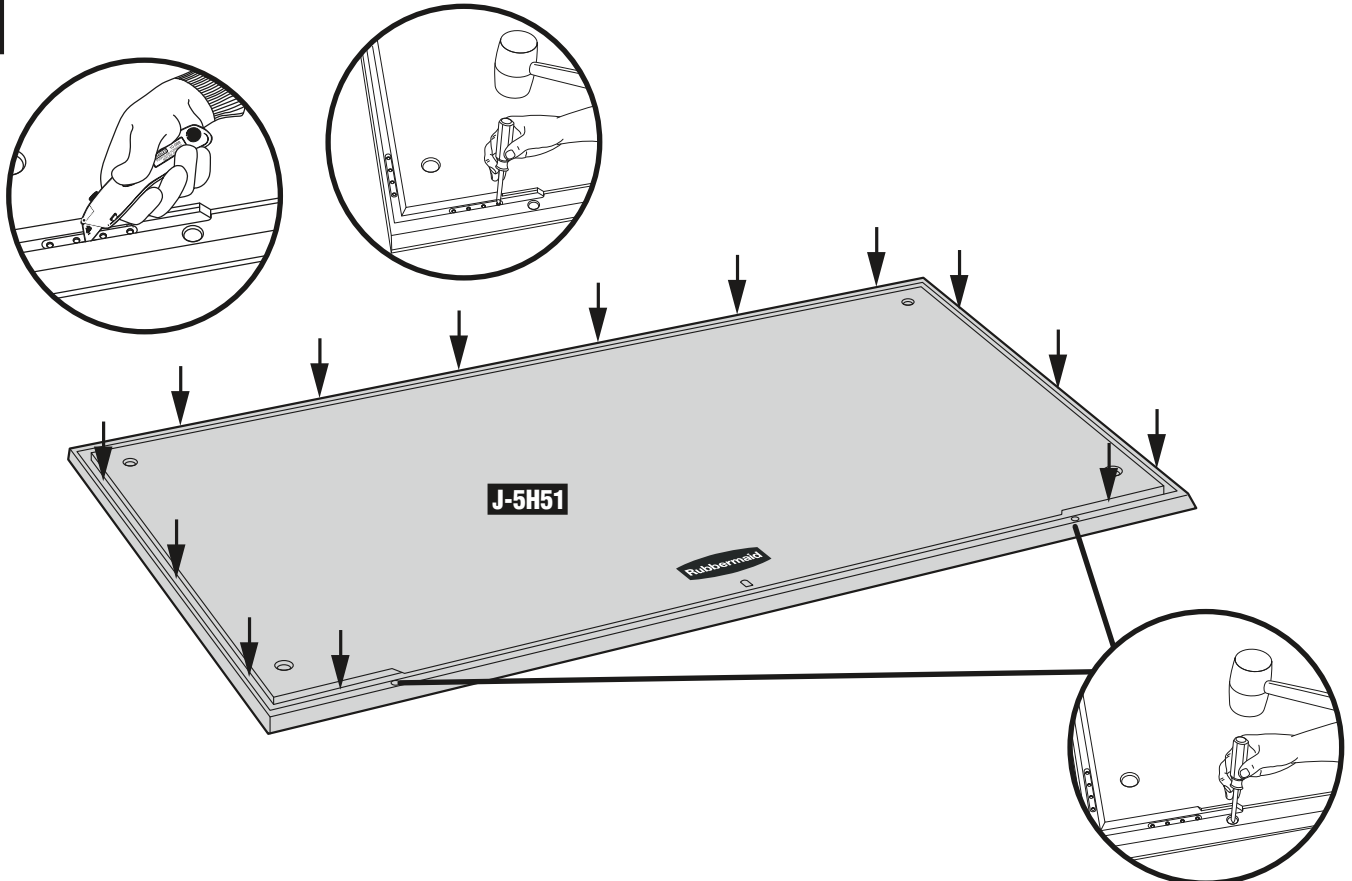
## OPTIONAL STEP:

If desired, recessed anchor locations (4 places) can be used to anchor the shed floor to a foundation.



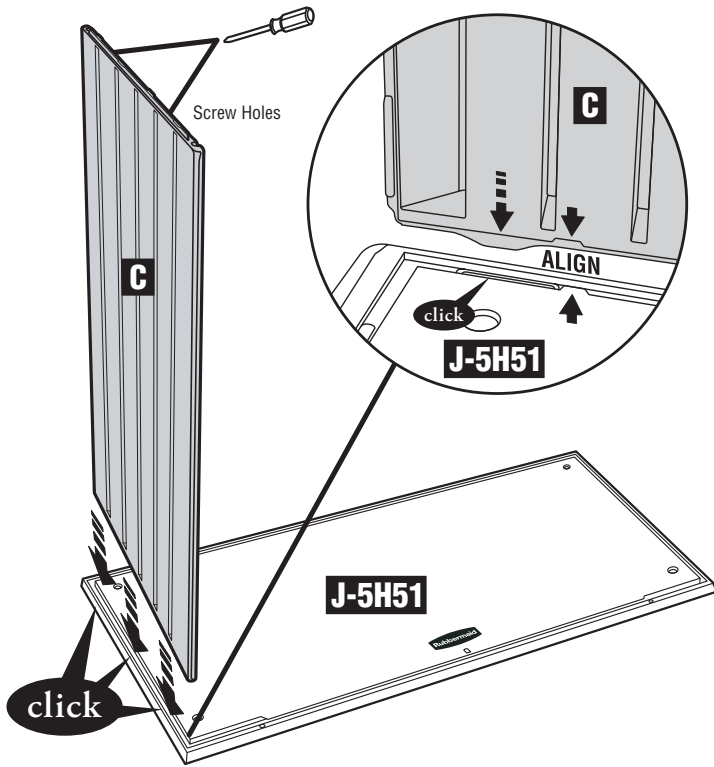
# 2

Using a utility knife, cut the long sides of each wall slot tab and then use a screwdriver to knock it out 14 places on Floor (J-5H51). Open hinge holes 2 places.

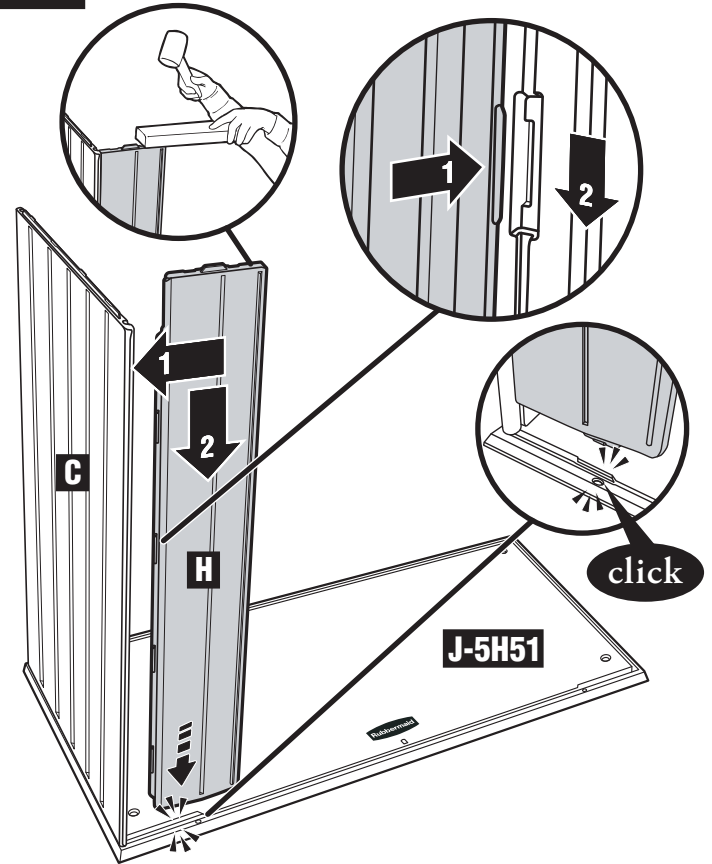


**3**

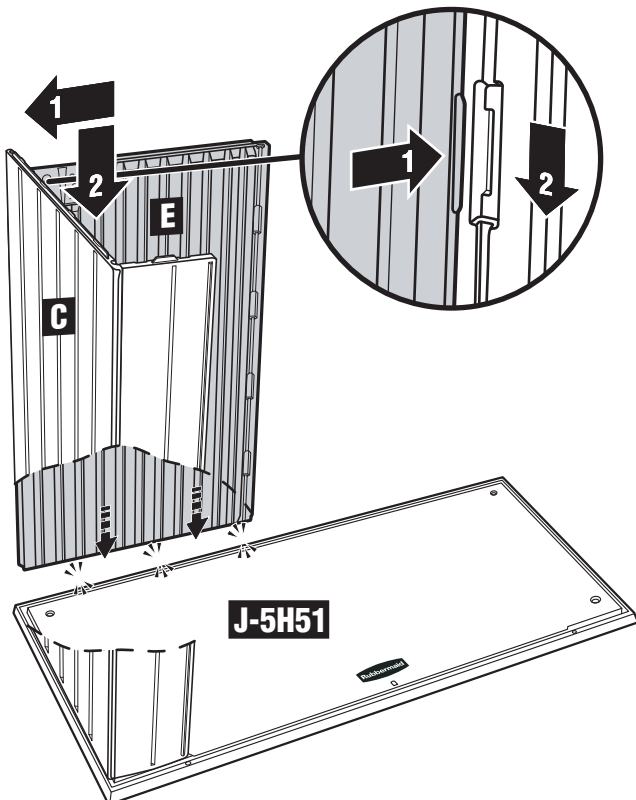
Using a screwdriver, punch out the screw holes on the top of Left Side Panel (C) 2 Places.  
Connect Left Side Panel (C) into Floor (J-5H51).

**4**

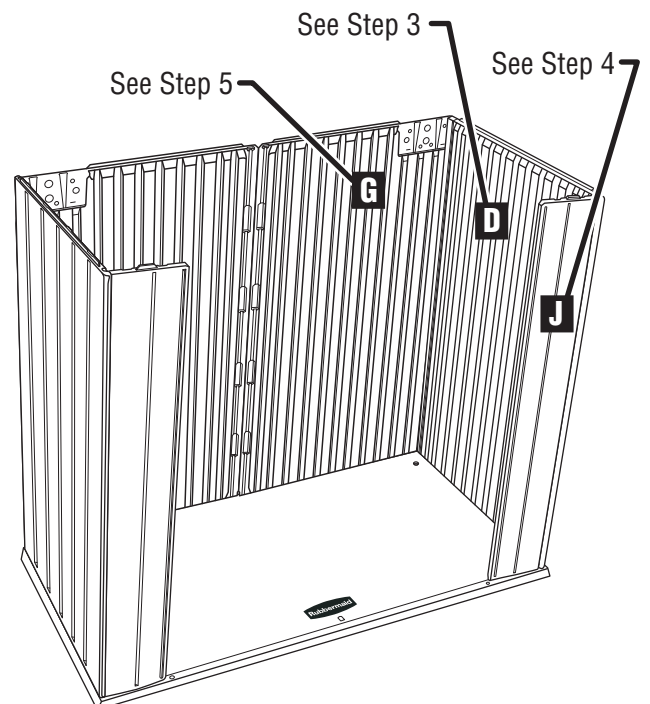
Lubricate dovetails on Left Front Panel (H) 4 places with liquid soap.  
Connect Left Front Panel (H) into dovetails of Left Side Panel (C), engage snaps on bottom of Left Front Panel (H) into Floor (J-5H51).

**5**

Lubricate dovetails on Left Back Panel (E) 4 places with liquid soap.  
Connect Left Back Panel (E) into dovetails of Left Side Panel (C), engage snaps on bottom of Left Back Panel (E) into Floor (J-5H51).

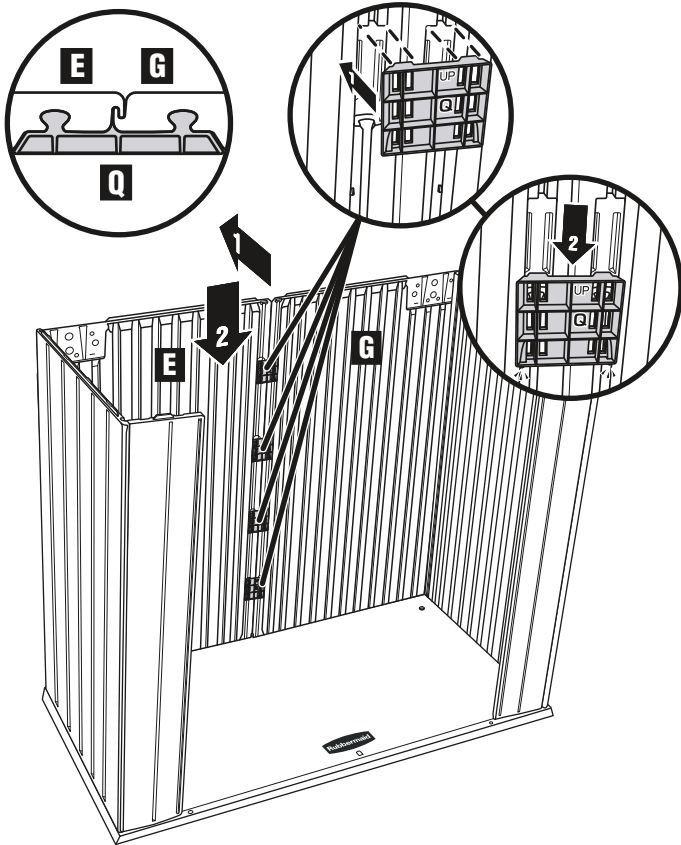
**6**

Repeat Steps 3-5 to assemble right side of shed.  
Continue to Step 7.

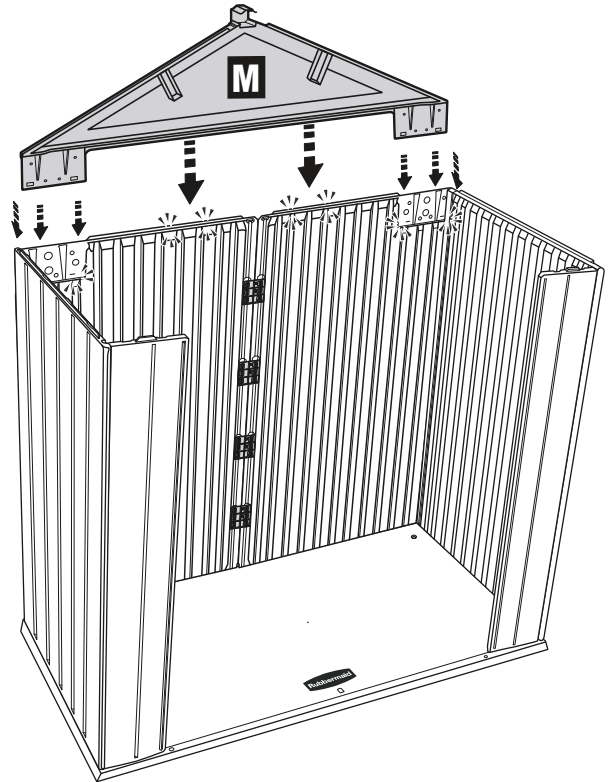


**7**

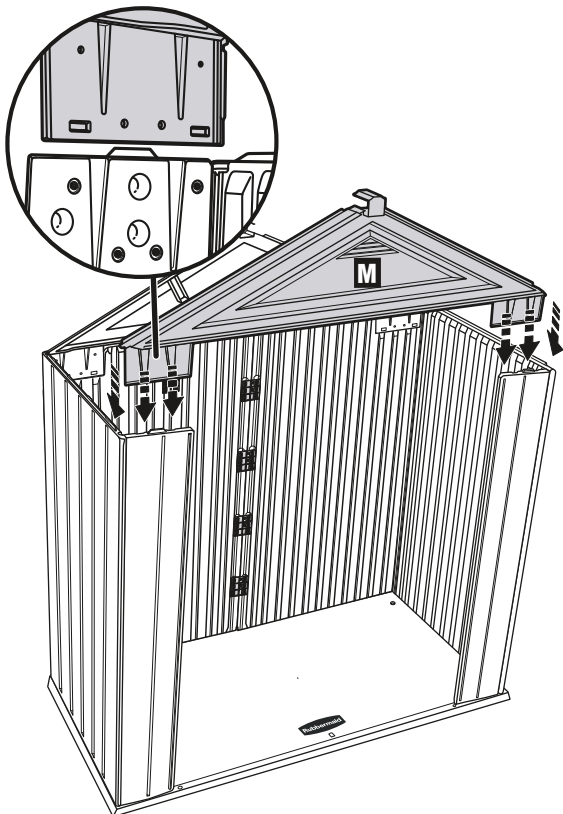
Repeat Steps 3–5 to assemble right side of shed.  
Continue to Step 7.

**8**

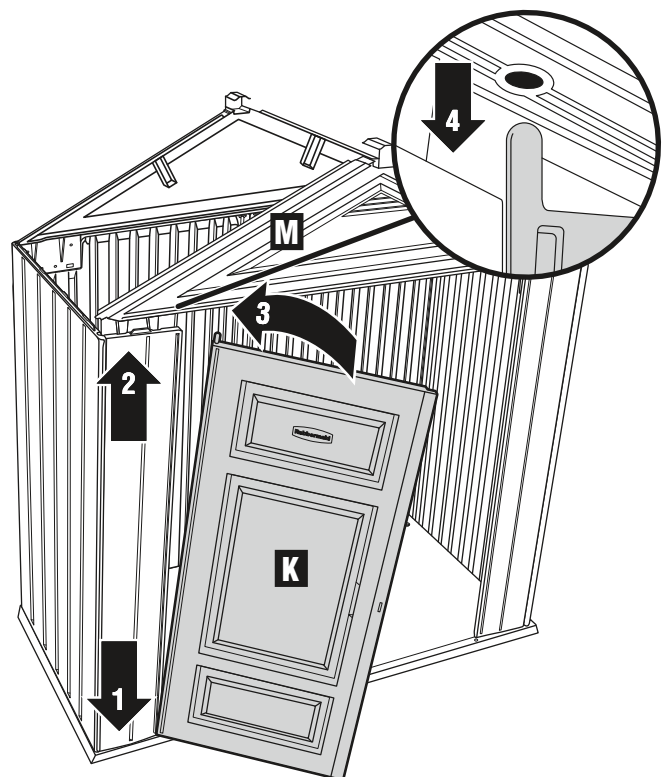
Install Gable (M) onto top of back wall engaging the 2 dovetails and snaps on the back panel and the dovetail on the side panel on both the left and right sides of the shed.

**9**

Install Gable (M) onto top of front wall engaging the 2 dovetails on the front panel and the dovetail on the side panel on both the left and right sides of the shed.  
**DO NOT ENGAGE THE SNAPS.**

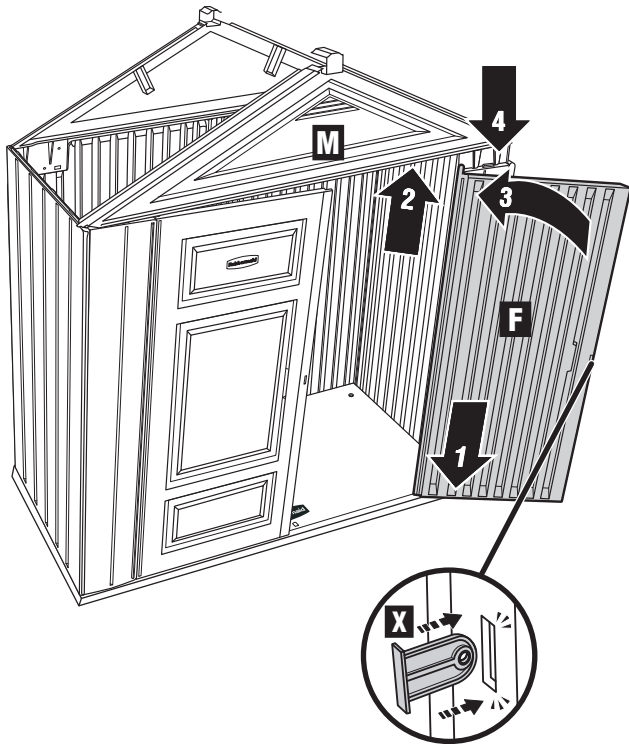
**10**

Install Left Door Panel (K) inserting the lower hinge pin into Left Floor (A) socket, lift the left end of the Gable (M) enough to insert the top hinge pin on Left Door Panel (K) into the Gable (M) socket.



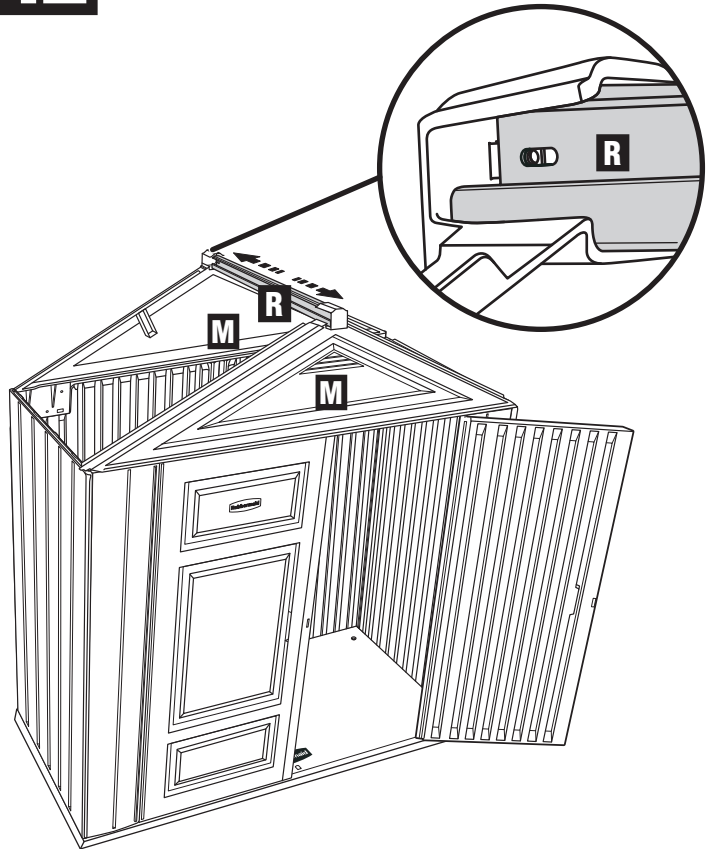
# 11

Install Right Door Panel (F) inserting the lower hinge pin into Right Floor (U) socket, lift the right end of the Gable (M) enough to insert the top hinge pin on Right Door Panel (F) into the Gable (M) socket.  
 Install Lock Hasp (X) into back side of Right Door Panel (F).  
 Engage Gable (M) snaps on front wall.



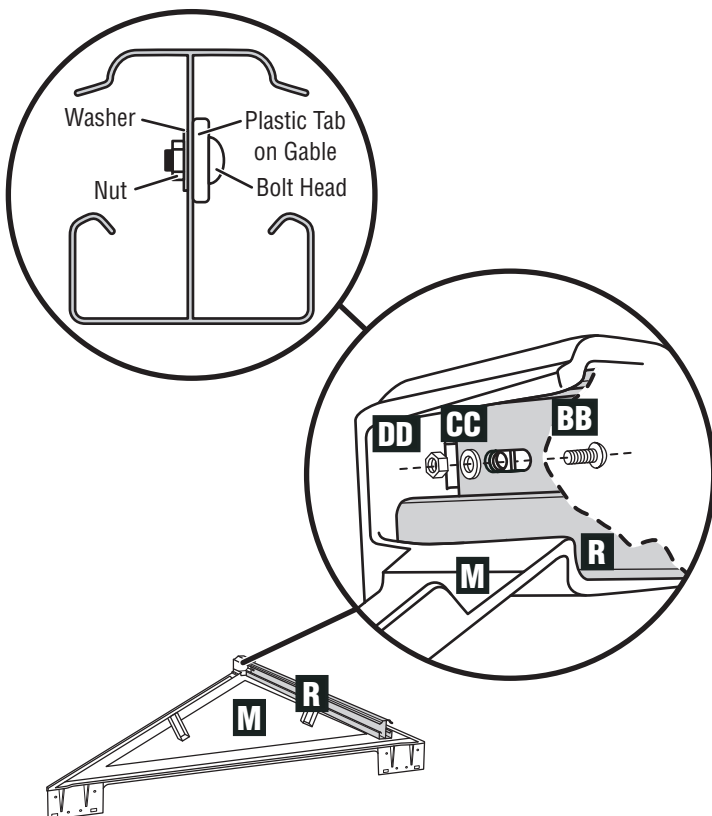
# 12

Place Ridge Beam (R) into cups at the top of each Gable (M).



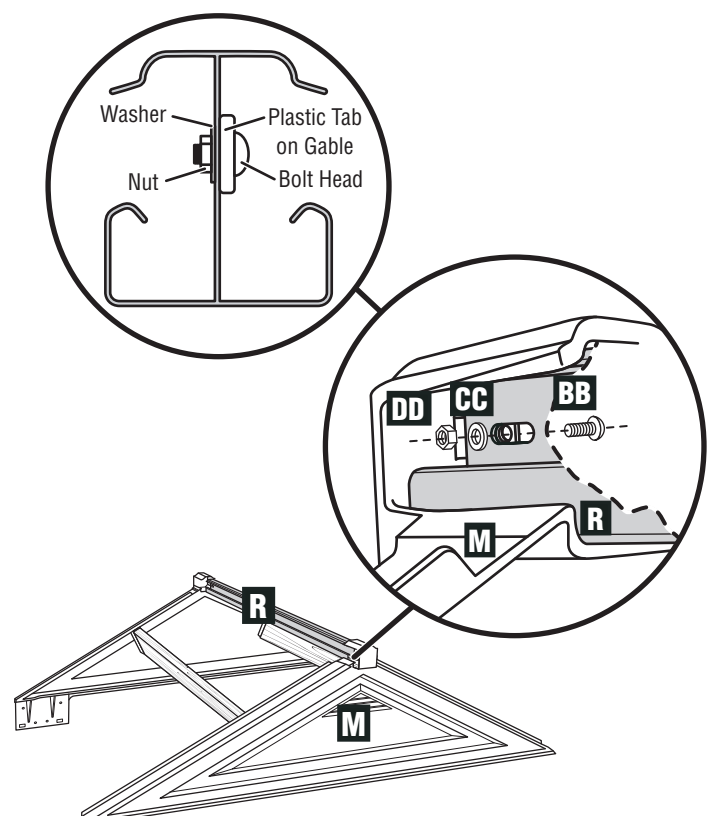
# 13

Align slots in Ridge Beam (R) with holes in Gable (M) tabs, install Bolt (BB), Washer (CC), and Nut (DD) 1 place.  
**ONLY TIGHTEN NUT 'FINGER' TIGHT.**



# 14

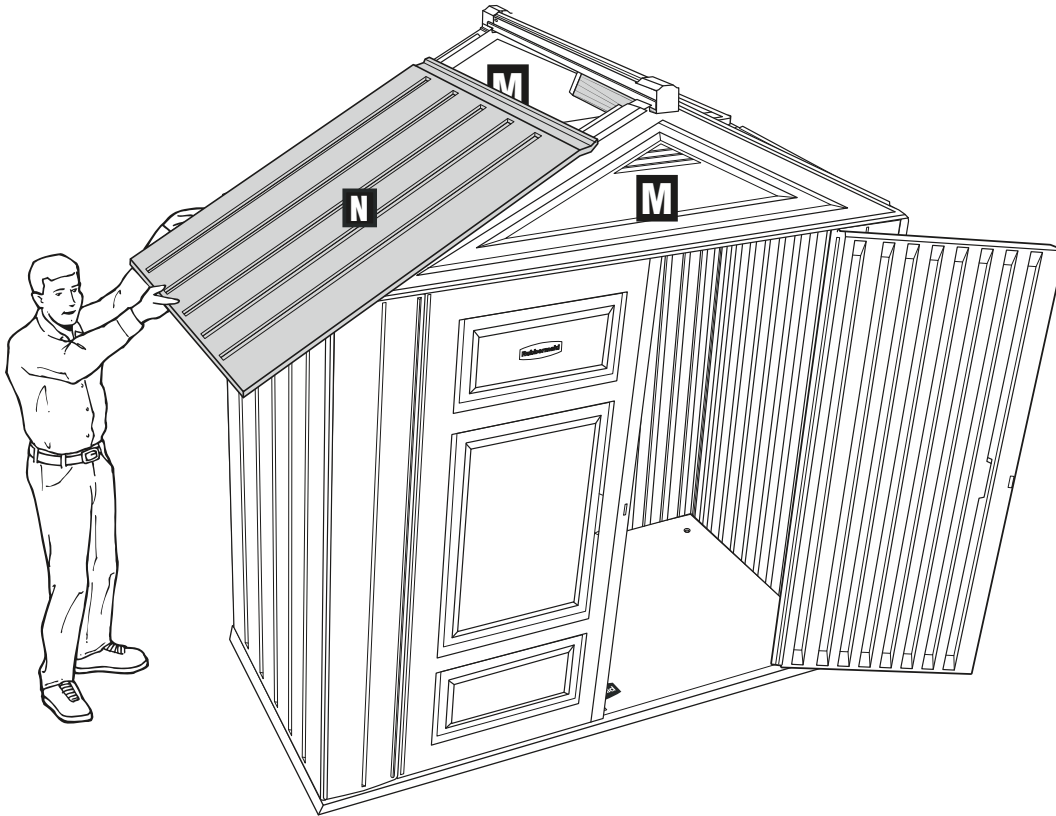
Align slots in Ridge Beam (R) with holes in Gable (M) tabs, install Bolt (BB), Washer (CC), and Nut (DD) 1 place.  
**ONLY TIGHTEN NUT 'FINGER' TIGHT.**



# 15

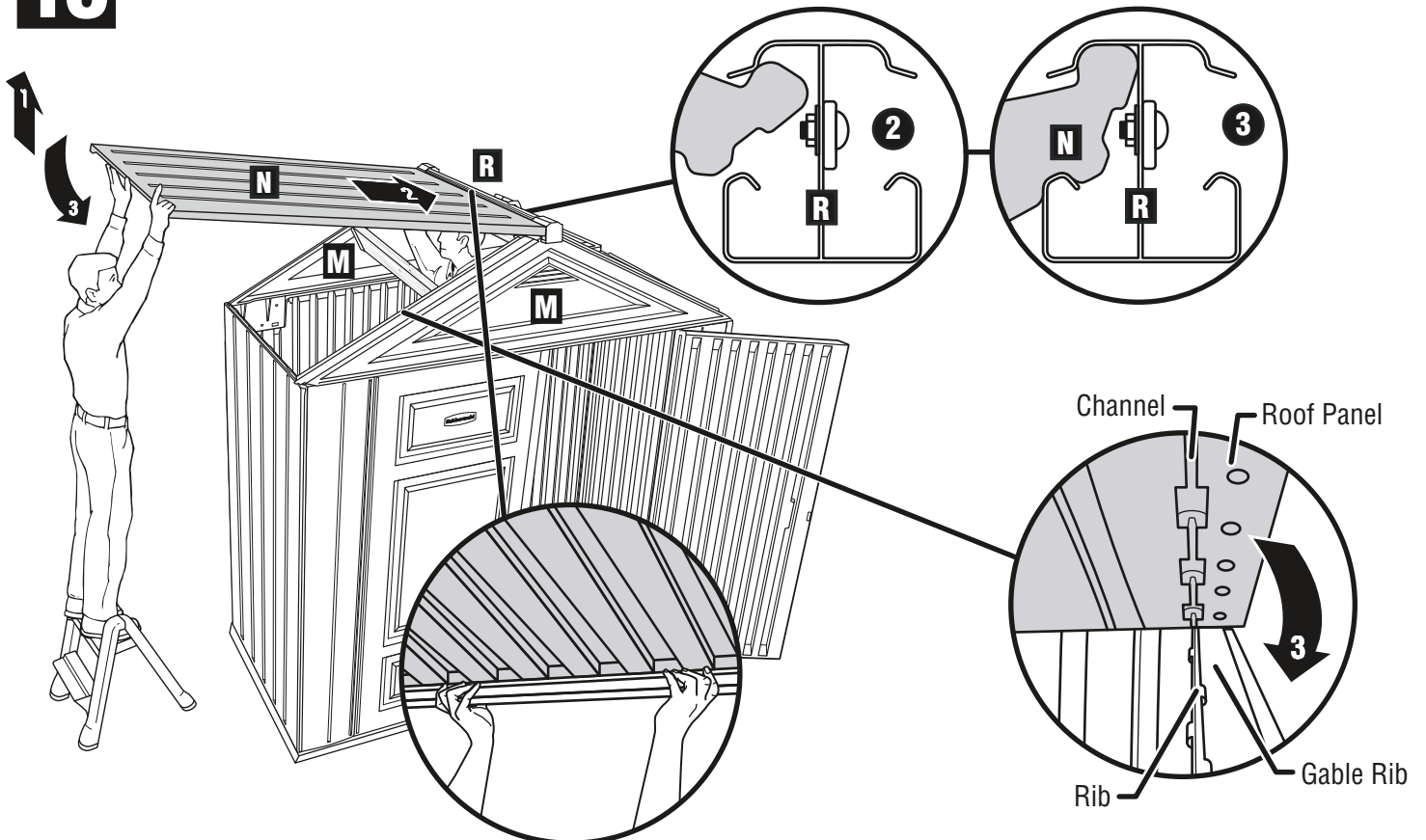
Lubricate roof snaps on Gable (M) 8 places on each Gable (M).

Raise the Left Roof Panel (N) onto the left side of the shed assembly, the arrows on the roof panel should face the inside of the shed and point towards the Ridge Beam (R).



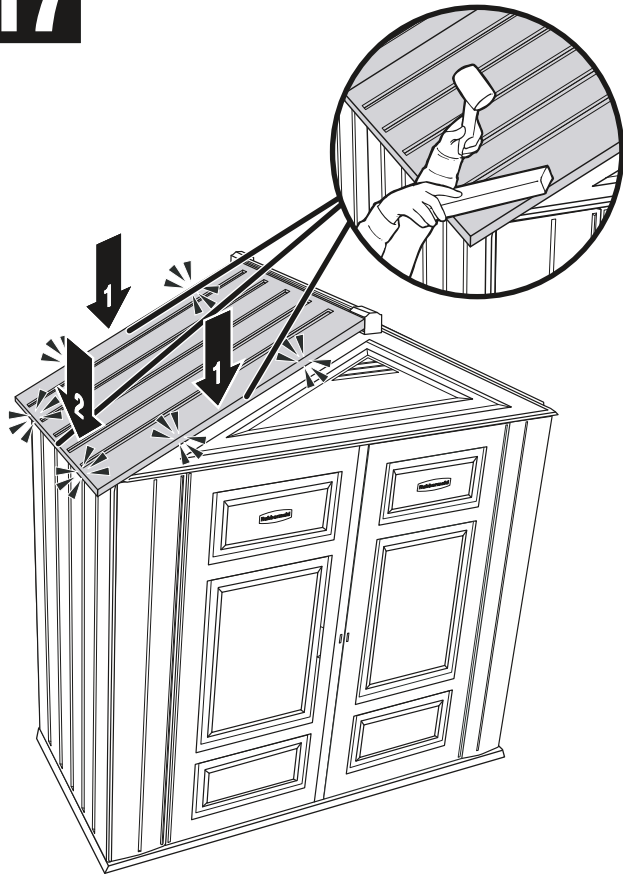
# 16

Using (2) step stools (1 inside shed, 1 outside shed), lift the bottom of the roof panel above horizontal, guide the roof panel into the Ridge Beam (R), align both Gable (M) ribs with the channels in Left Roof Panel (N), engage Left Roof Panel (N) in Ridge Beam (R) by lowering the bottom of the roof panel onto the shed assembly (hold Ridge Beam (R) to prevent twisting).



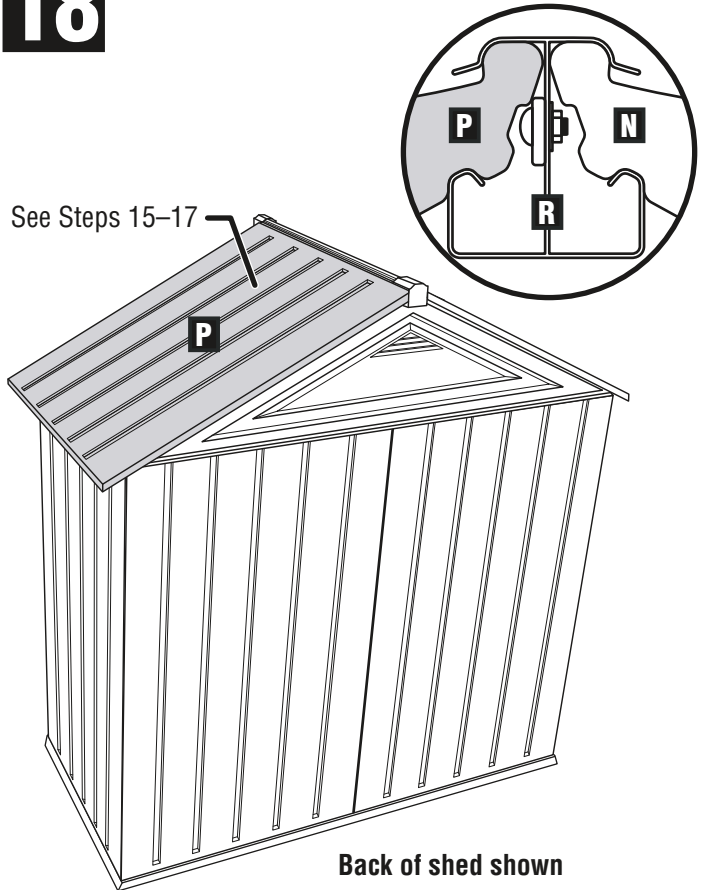
# 17

Engage all snaps between the roof panel and gable, then roof panel and wall panel.



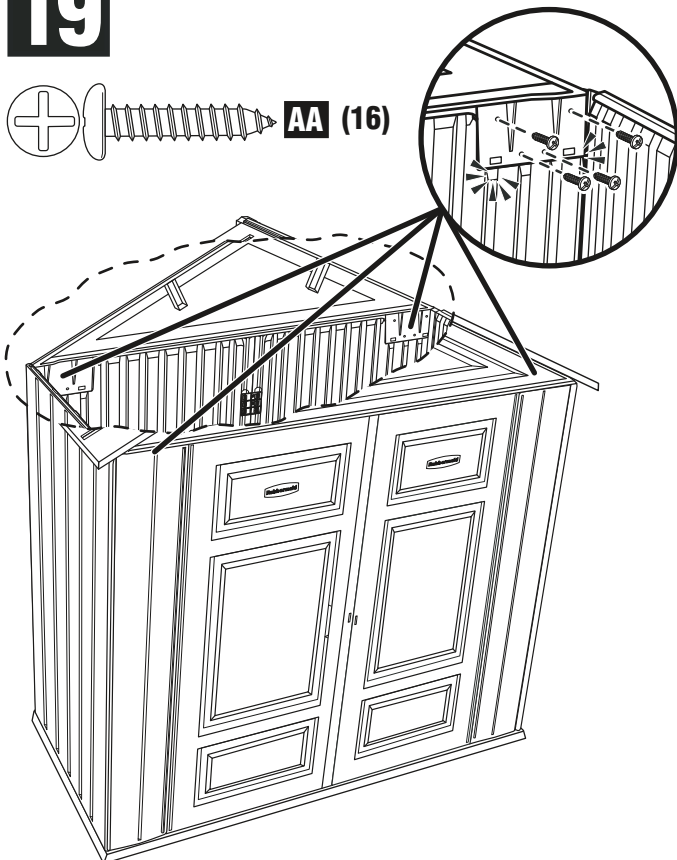
# 18

Repeat Steps 15–17 for right roof of shed.



# 19

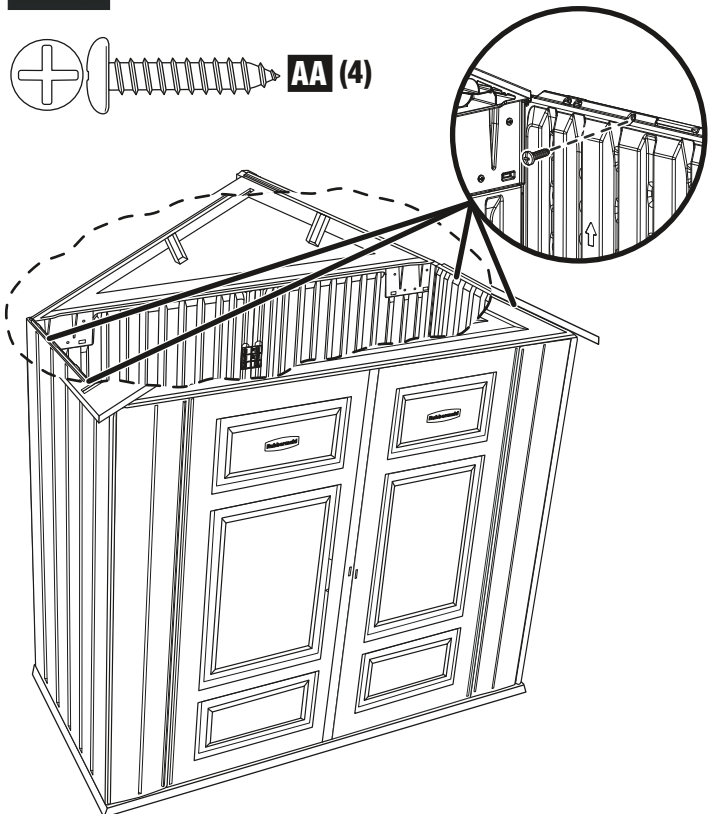
Install Screws (AA) 16 places in Gable (M).



Caution: When installing screws do not overtighten.

# 20

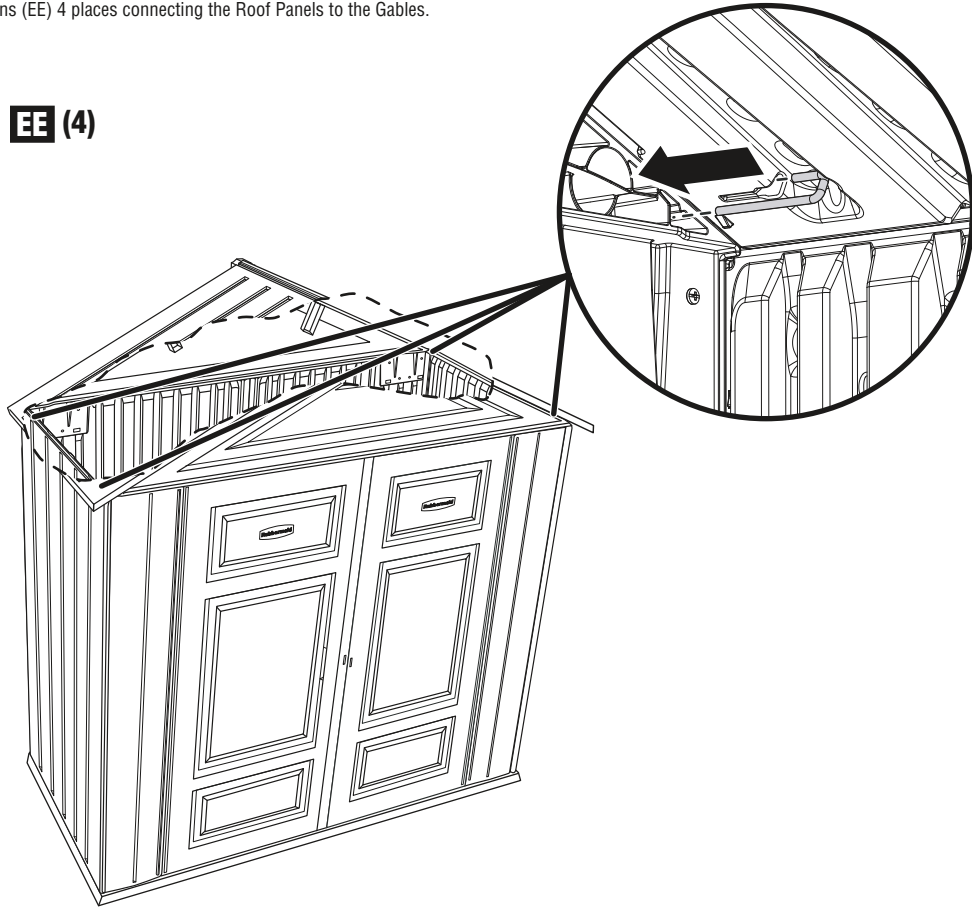
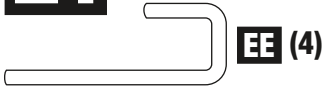
While one person holds down the bottom of the roof, install screws (AA) 4 places in screw holes on the top of the Side Panels (C&D). Screws connect the Side Panels to the Roof Panels.



Caution: When installing screws do not overtighten.

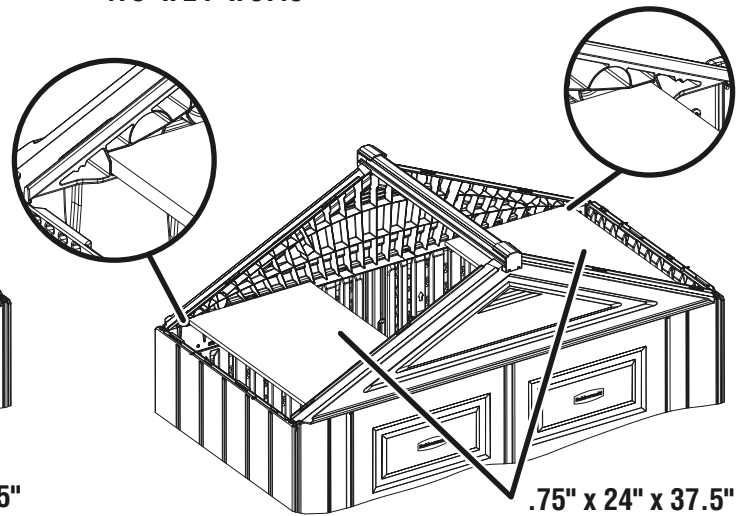
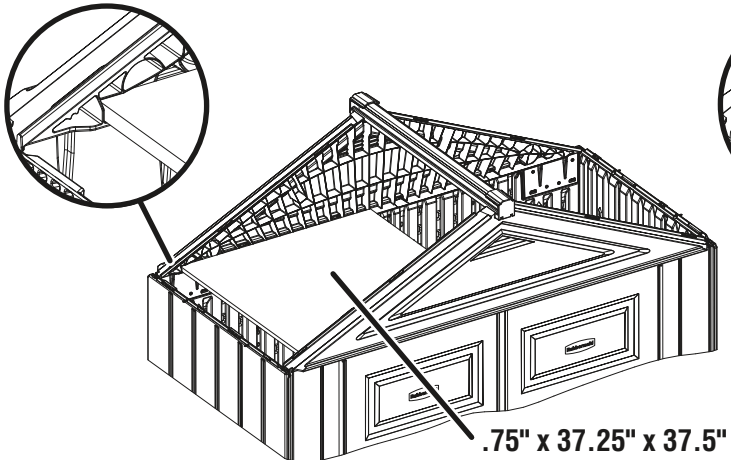
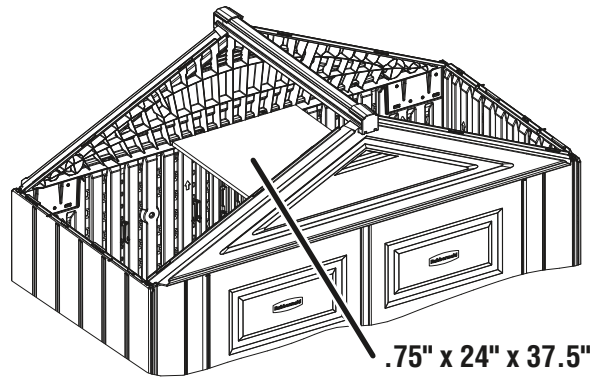
# 21

Install Roof Pins (EE) 4 places connecting the Roof Panels to the Gables.

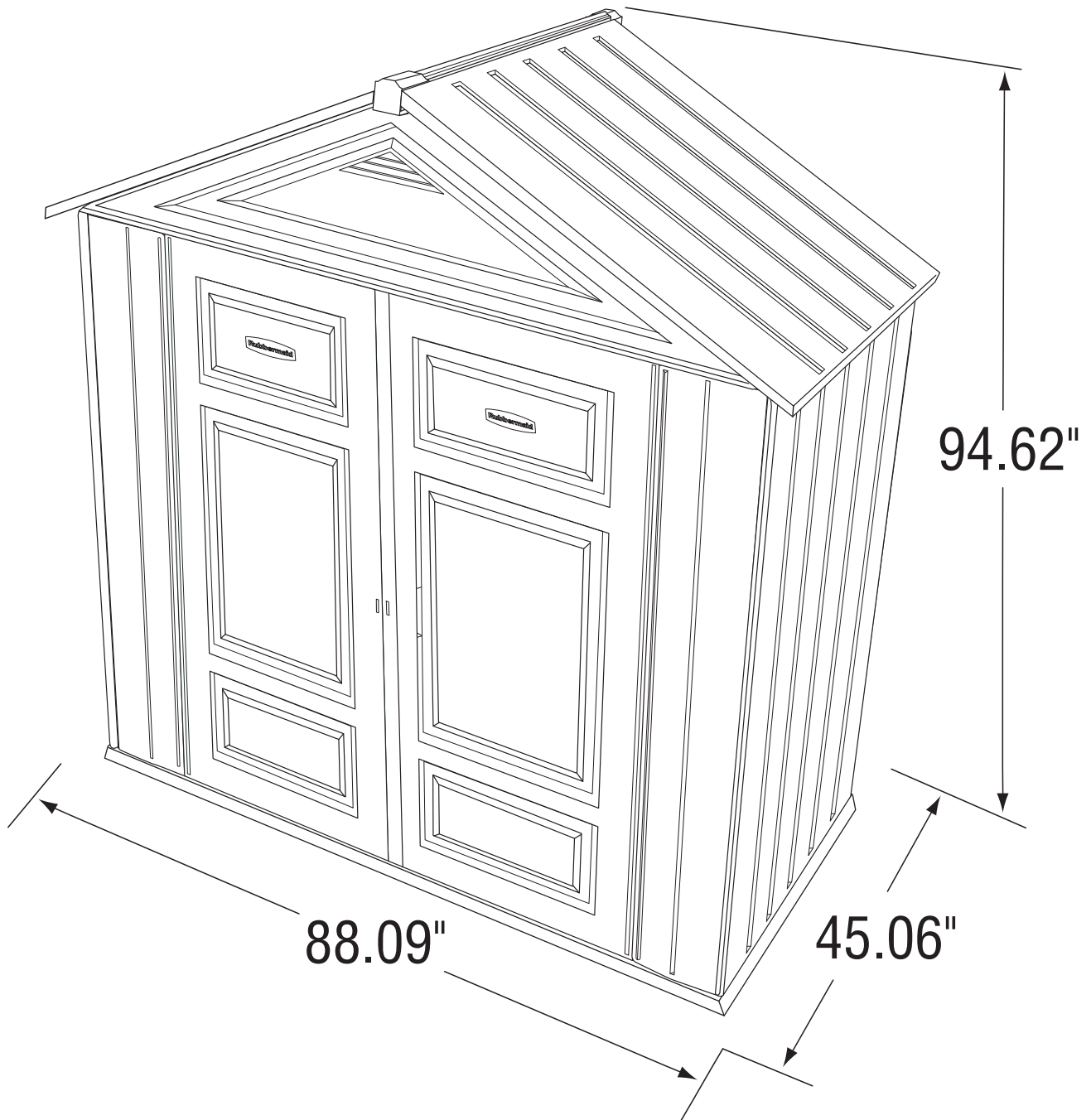


## OPTIONAL STEP:

If desired, add wood to create a loft (wood not included).







Printed in U.S.A.  
© 2012 Rubbermaid Incorporated  
Huntersville, NC U.S.A. 28078-1801  
[www.rubbermaid.com](http://www.rubbermaid.com)  
A **NewellRubbermaid** Brand

**Customer Service**  
Toll Free: 1-888-895-2110  
M-F 8:30 AM to 5:00 PM EST  
or visit us at [www.rubbermaid.com](http://www.rubbermaid.com)