



ZoneFlex 7982 Dual Band 802.11n Multimedia Wi-Fi Access Point

Quick Setup Guide

This *Quick Setup Guide* provides step-by-step instructions on how to set up your Ruckus Wireless ZoneFlex Access Point. After completing the steps described in this Guide, you will be able to place the Access Point (AP) at your site and provide wireless network access to users.

NOTE: The ZoneFlex 7982 requires a minimum of ZoneFlex firmware version 9.4 and above to operate.

THIS GUIDE IN OTHER LANGUAGES

请从以下网站获得该指南的简体中文版

<https://support.ruckuswireless.com>.

Vous trouverez la version française de ce guide à l'adresse suivante <https://support.ruckuswireless.com>.

このガイドの日本語版は <https://support.ruckuswireless.com> をご覧ください。

이 가이드의 한국어 버전은 웹 사이트

(<https://support.ruckuswireless.com>) 에서 확인하시기 바랍니다.

Veja a versão em português (Brasil) deste guia em

<https://support.ruckuswireless.com>.

Puede ver la versión en español (América Latina) de esta guía en

<https://support.ruckuswireless.com>

BEFORE YOU BEGIN

Before deploying Ruckus Wireless products, please check for the latest software and the release documentation.

- User Guides and Release Notes are available at <http://support.ruckuswireless.com/documents>.
- Software Upgrades are available at <http://support.ruckuswireless.com/software>.
- Open Source information is available at <http://opensource.ruckuswireless.com>.
- Software License and Limited Warranty are available at <http://support.ruckuswireless.com/warranty>.

PACKAGE CONTENTS

- ZoneFlex 7982 Access Point
- Mounting screws and anchors (2)
- T-Bar clips and alignment spacer
- Regulatory flyer
- This *Quick Setup Guide*

SETUP REQUIREMENTS

- A computer running Windows 7 (procedures for other OS's are similar)
- One or more of the following:
 - A modem (DSL or cable), broadband router, or other device provided by your Internet Service Provider that brings Internet access to your site.
 - A network switch or a DSL/Internet gateway device.
- Two Cat 5e Ethernet cables
- An AC power adapter (sold separately), or
- An 802.3af or 802.3at -compliant Power over Ethernet (PoE) switch or PoE injector

IMPORTANT!

If the AP is deployed with a ZoneDirector, follow the *ZoneDirector Quick Setup Guide* and connect the AP to your local network.

STEP 1: CONNECT THE AP TO YOUR COMPUTER



- 1 After removing your Ruckus Wireless AP from its package, place it next to your computer.
- 2 Using an Ethernet cable, connect your computer's network port to one of the two ports on the AP.
- 3 Using an AC adapter (sold separately), connect the AP to a convenient (and protected) power source.
 - Alternatively, connect the 10/100/1000 POE port to a PoE injector or switch for both power and network connectivity.

- 4 Verify that the Power LED on the external enclosure is a steady green.



STEP 2: PREPARE YOUR COMPUTER FOR AP SETUP

NOTE:

The following procedures assume Windows 7 as the operating system. Procedures for other OS's are similar.

- 1 On your Windows 7 computer, configure your network adapter from the *Local Area Connection* settings as follows:
 - **Start > Control Panel > Network and Sharing Center > Change Adapter Settings**
- 2 Edit the TCP/IPv4 address settings as follows:
 - **Local Area Connection > Properties > Internet Protocol Version 4 (TCP/IPv4) > Properties**The *TCP/IPv4 Properties* dialog box appears.

IMPORTANT!

Write down all of the currently active settings so you can restore your computer to its current configuration later (when this process is complete).

- 3 Select **Use the following IP address** (if it is not already selected) and then make the following entries:
 - **IP address:** 192.168.0.22 (or any address in the 192.168.0.x network)
 - **Subnet mask:** 255.255.255.0
 - **Default gateway:** 192.168.0.1Leave the **DNS server** fields empty.
 - 4 Click **OK** to save your changes.
- Your changes are put into effect immediately.

STEP 3: LOG INTO THE AP

As specified earlier, the AP should be directly connected to your computer (through one of the Ethernet ports) and powered on, ready for setup.

- 1 On your computer, open a Web browser window.
- 2 In the browser, type this URL to connect to the AP:
<https://192.168.0.1>
- 3 Press <Enter> to initiate the connection. When a security alert dialog box appears, click **OK/Yes** to proceed.
- 4 When the *Ruckus Wireless Admin* login page appears, enter the following:
 - **Username:** super
 - **Password:** sp-admin
- 5 Click **Login**.

Default AP Settings (For Your Reference)

Network Names (SSIDs)	Wireless1—Wireless8 (2.4GHz radio) Wireless9—Wireless16 (5GHz radio)
Security (Encryption method)	Disabled for each wireless interface
Default Management IP Address	192.168.0.1

STEP 4: CUSTOMIZE THE WIRELESS SETTINGS

- 1 On the Web interface menu, click **Configuration** > **Radio 2.4G** or **Configuration** > **Radio 5G**. The Configuration :: Wireless :: Common options appear.
- 2 Verify that the following options are active:
 - **Channel:** SmartSelect
 - **Country Code:** If you are not located in the United States, select your current country.
- 3 Click **Update Settings** if you made any changes.
- 4 Click any of the “Wireless #” tabs at the top of the page.
- 5 In *Wireless Availability*, click **Enabled**.
- 6 Delete the text in the **SSID** field, then type a name for your network that will help your users identify the AP in their wireless network connection application.
- 7 Click **Update Settings** to save your changes.
- 8 Repeat Steps 4-7 for each Wireless # interface that you want to enable.

- 9 Click **Logout** to exit the Web interface.

OPTIONAL: IF YOU WANT TO SWITCH FROM DHCP (DEFAULT)

If you anticipate logging into the AP regularly to perform monitoring or maintenance (once it is in place), you may want to consider assigning a static IP address to the AP. In a default AP configuration, the AP uses a DHCP-assigned IP address.

- A. On the menu, click **Configuration** > **Internet**.
- B. Click the **Static IP** option.
- C. Fill in the **IP Address** and **Mask** fields.
- D. Click **Update Settings** to save your changes.

- 10 When the *Ruckus Wireless Admin* login page reappears, you can exit your browser.
- 11 Disconnect the AP from the computer and from the current power source, and then restore your computer to its original network connection configuration.

STEP 5: PLACE THE AP IN YOUR SITE

- 1 Disconnect the AP’s power adapter from the power outlet.
- 2 Move the AP to its permanent location (accessible to both power and network connections). See enclosed Mounting Instructions for physical installation.
- 3 Use an Ethernet cable to connect the 10/100/1000 port to your network.

NOTE: If you will be using PoE, you will need a Cat 5e (or better) Ethernet cable to connect the AP to the PoE injector or switch.

- 4 Connect the AP power adapter (or PoE power supply) to the AP, then to a convenient power source.
- 5 Verify that the 10/100/1000 port LED is lit.

After a short pause to re-establish the Internet connection, you can test the AP.

STEP 6: VERIFY THE INSTALLATION

- 1 Using any wireless-enabled computer or mobile device, search for and select the wireless network you previously configured.
- 2 If you can connect, open a browser and link to any public Web site.

Congratulations! Your wireless network is active and ready for use.

For More Information

You can now use the wireless network to log into the AP’s Web interface. For information on how to configure the AP from the Web interface, refer to the *Ruckus Wireless ZoneFlex Access Point User Guide* or the Online Help, available from within the Web interface.

(OPTIONAL) MOUNTING INSTRUCTIONS

The ZoneFlex 7982 can be mounted to a wall, ceiling or to a T-bar using the enclosed mounting kit.

Mounting to Acoustical Drop-Ceiling T-Bar

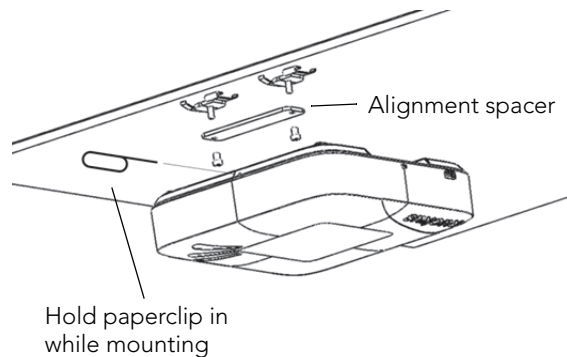
The enclosed T-bar clips support mounting to flush tile and recessed frame drop ceiling T-bars.

- 1 Fasten T-Bar clips (included) to the T-Bar.

Note: if the T-bar clips slide easily along the T-bar, use a piece of Scotch tape or similar to secure them in place while mounting the AP. The tape may be removed once the AP is mounted.

- 2 Fit the screws protruding from the T-Bar clips through the holes in the alignment spacer, and then thread the included anchor sleeves onto the screws. For recessed frame drop ceiling, adjust the height of the anchor sleeves such that the anchor heads extend just below the ceiling tile surface. Anchor sleeves can be adjusted to accommodate frame recess depths up to 6mm.
- 3 Insert a straightened paperclip (or similar) into the pin-hole on the side of the AP and hold in place while mounting (see [Figure 1](#)).
- 4 Place the AP over the anchor sleeves such that the heads enter the mounting holes on the AP enclosure, and slide the AP to lock in place.
- 5 Remove the paperclip to release the lock mechanism and secure the AP.
- 6 To remove the AP, insert a straightened paperclip into the hole on the side of the AP to unlock, and then slide the AP to release the AP enclosure from the mounting screws.

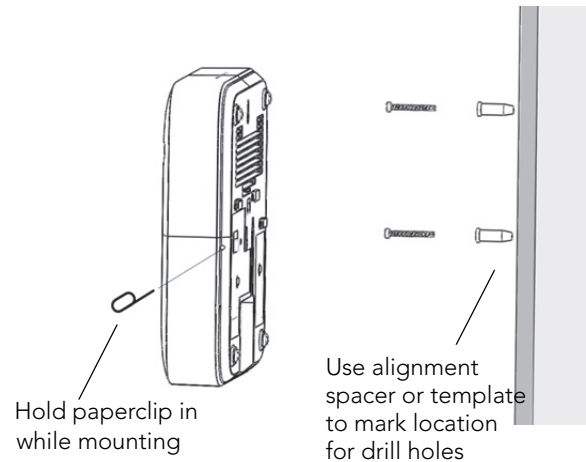
Figure 1. Recessed frame T-bar mounting



Mounting to a Flat Surface

- 1 Use the Mounting Template on the reverse side of this *Quick Setup Guide* (or the included alignment spacer) as a template to mark the locations for drill holes on the mounting surface. There are two sets of keyholes available on the AP. One allows the AP to be mounted to a wall or ceiling. The other allows the ZoneFlex 7982 to be mounted to an accessory bracket (not included).
- 2 Use a 5mm drill bit to drill holes approximately 25mm into the mounting surface.
- 3 Insert the anchors and mounting screws into the mounting surface, leaving approximately 1/4" (6 mm) of the screw heads protruding for the AP enclosure.
- 4 Insert a straightened paperclip (or similar) into the hole on the side of the AP to release the locking mechanism.
- 5 Place the AP onto the mounting screws so that the screw heads enter the mounting holes on the AP enclosure, and push the AP down to lock in place.
- 6 Remove the paperclip to release the locking mechanism and secure the AP.
- 7 To remove the AP, insert a straightened paperclip into the hole on the side of the AP to unlock, then push the AP up to release the AP enclosure from the mounting screws.

Figure 2. Wall mounting



WALL / CEILING MOUNTING TEMPLATE

