



ZoneFlex 7352/7372 802.11n Multimedia Wi-Fi Access Point

Quick Setup Guide

This *Quick Setup Guide* provides step-by-step instructions on how to set up your Ruckus Wireless ZoneFlex Access Point. After completing the steps described in this Guide, you will be able to place the Access Point (AP) at your site and provide wireless network access to users.

NOTE: The ZoneFlex 7352/7372 requires a minimum of ZoneFlex firmware version 9.6 and above to operate.

THIS GUIDE IN OTHER LANGUAGES

请从以下网站获得该指南的简体中文版

<https://support.ruckuswireless.com>.

請造訪以下網址·取得此手冊的繁體中文版本

<https://support.ruckuswireless.com>.

Vous trouverez la version française de ce guide à l'adresse

suivante <https://support.ruckuswireless.com>.

このガイドの日本語版は <https://support.ruckuswireless.com>

をご覧ください。

이 가이드의 한국어 버전은 웹 사이트

(<https://support.ruckuswireless.com>) 에서 확인하시기 바랍니다 .

Veja a versão em português (Brasil) deste guia em

<https://support.ruckuswireless.com>.

Puede ver la versión en español (América Latina) de esta guía en

<https://support.ruckuswireless.com>.

BEFORE YOU BEGIN

Before deploying Ruckus Wireless products, please check for the latest software and the release documentation.

- User Guides and Release Notes are available at <http://support.ruckuswireless.com/documents>.
- Software Upgrades are available at <http://support.ruckuswireless.com/software>.
- Open Source information is available at <http://opensource.ruckuswireless.com>.
- Software License and Limited Warranty available at <http://support.ruckuswireless.com/warranty>.

PACKAGE CONTENTS

- ZoneFlex 7352/7372 Access Point
- Mounting screws and anchors (2)
- Security screw (1)
- 15/16-inch T-bar clips (2)
- Alignment spacer (1)
- Regulatory flyer
- Declaration of Conformity (country-dependent)
- Product Warranty Statement
- This *Quick Setup Guide*

SETUP REQUIREMENTS

- A computer running Windows 7 (procedures for other OS's are similar)
- One or more of the following:
 - A modem (DSL or cable), broadband router, or other device provided by your Internet Service Provider that brings Internet access to your site.
 - A network switch or a DSL/Internet gateway device.
- Two Ethernet cables (Cat5e or better for PoE in)
- An AC power adapter (sold separately), or
- An 802.3af or 802.3at -compliant Power over Ethernet (PoE) switch or PoE injector

IMPORTANT!

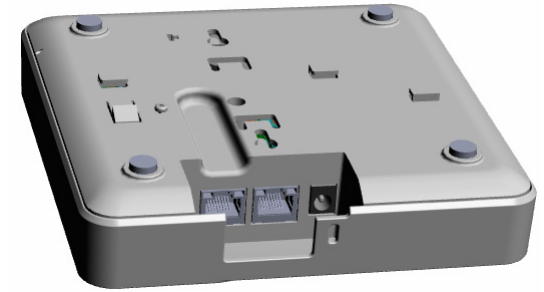
If the AP is deployed with a ZoneDirector, follow the *ZoneDirector Quick Setup Guide*, and connect the AP to your local network.

STEP 1: CONNECT THE AP TO YOUR COMPUTER



- 1 After removing your Ruckus Wireless AP from its package, place it next to your computer.
- 2 Using an Ethernet cable, connect your computer's network port to the 10/100/1000 port on the AP.
- 3 Using the AC adapter (sold separately), connect the AP to a convenient (and protected) power source.

- Alternatively, connect the 10/100/1000 port to a PoE injector or PoE switch for both power and network connectivity.



- 4 Verify that the Power LED on the external enclosure is a steady green.

STEP 2: PREPARE YOUR COMPUTER FOR AP SETUP

NOTE:

The following procedures assume Windows 7 as the operating system. Procedures for other OS's are similar.

- 1 On your Windows 7 computer, configure your network adapter from the *Local Area Connection* settings as follows:
 - **Start > Control Panel > Network and Sharing Center > Change Adapter Settings**
- 2 Edit the TCP/IPv4 address settings as follows:
 - **Local Area Connection > Properties > Internet Protocol Version 4 (TCP/IPv4) > Properties**The *TCP/IPv4 Properties* dialog box appears.

IMPORTANT!

Write down all of the currently active settings so you can restore your computer to its current configuration later (when this process is complete).

- 3 Select **Use the following IP address** (if it is not already selected) and then make the following entries:
 - **IP address:** 192.168.0.22 (or any address in the 192.168.0.x network)
 - **Subnet mask:** 255.255.255.0
 - **Default gateway:** 192.168.0.1Leave the **DNS server** fields empty.
- 4 Click **OK** to save your changes.
Your changes are put into effect immediately.

STEP 3: LOG INTO THE AP

As specified earlier, the AP should be directly connected to your computer (through the Ethernet port) and powered on, ready for setup.

- 1 On your computer, open a Web browser window.
- 2 In the browser, type this URL to connect to the AP:
<https://192.168.0.1>
- 3 Press <Enter> to initiate the connection. When a security alert dialog box appears, click **OK/Yes** to proceed.
- 4 When the *Ruckus Wireless Admin* login page appears, enter the following:
 - **Username:** super
 - **Password:** sp-admin
- 5 Click **Login**.

Default AP Settings (For Your Reference)

Network Names (SSIDs)	Wireless1—Wireless8 (2.4GHz radio) Wireless9—Wireless16 (5GHz radio, ZoneFlex 7372 only)
Security (Encryption method)	Disabled for each wireless interface
Default Management IP Address	192.168.0.1

STEP 4: CUSTOMIZE THE WIRELESS SETTINGS

- 1 On the Web interface menu, click **Configuration > Wireless** (*Configuration > Radio 2.4G* or *Configuration > Radio 5G* for the ZoneFlex 7372). The Configure :: Wireless :: Common options appear.
- 2 Verify that the following options are active:
 - **Channel:** SmartSelect
 - **Country Code:** If you are not located in the United States, select your current country.
- 3 Click **Update Settings** if you made any changes.
- 4 Click any of the eight "Wireless #" tabs at the top of the page.
- 5 In *Wireless Availability*, click **Enabled**.
- 6 Delete the text in the **SSID** field, and then type a name for your network that will help your users identify the AP in their wireless network connection application.
- 7 Click **Update Settings** to save your changes.
- 8 Repeat Steps 4-7 for each Wireless # interface that you want to enable.
- 9 Click **Logout** to exit the Web interface.

- 10 Disconnect the AP from the computer and from the current power source, and then restore your computer to its original network connection configuration.

STEP 5: PLACE THE AP IN YOUR SITE

- 1 Move the AP to its permanent location (accessible to both AC power and network connection).
- 2 Use an Ethernet cable to connect the 10/100/1000 port of the AP to your network.

NOTE:

If you will be using PoE, you will need a Cat5e (or better) Ethernet cable to connect the AP to the PoE injector or switch.

- 3 Connect the AC power adapter (or PoE power supply) to the AP, then to a convenient power source.
- 4 Verify that the 10/100/1000 port LED is lit.

After a short pause to re-establish the Internet connection, you can test the AP.

STEP 6: VERIFY THE INSTALLATION

- 1 Using any wireless-enabled computer or mobile device, search for and select the wireless network you previously configured.
- 2 If you can connect, open a browser and link to any public Web site.

Congratulations! Your wireless network is active and ready for use.

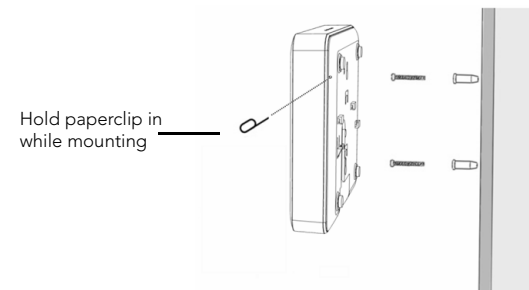
(OPTIONAL) MOUNTING INSTRUCTIONS

The ZoneFlex 7352/7372 can be mounted to a wall, ceiling or to a T-bar using the supplied mounting screws or the T-bar clips built into the bottom of the AP enclosure.

Mounting to a Flat Surface

- 1 Use this *Quick Start Guide* template or the alignment spacer to mark the locations for screw holes on the mounting surface. Use a 5mm drill bit to drill approximately 25mm into the mounting surface.
- 2 Insert the anchors and mounting screws into the mounting surface, leaving approximately 0.28" (7 mm) of the screw heads protruding for the AP enclosure. The screws should be approximately 3.25" (82.6 mm) apart per the template.
- 3 Insert a straightened paperclip (or similar) into the hole on the side of the AP ([Figure 1.](#)), to release the locking mechanism.

Figure 1. Insert a paperclip into the pinhole



- 4 Place the AP onto the mounting screws so that the screw heads enter the mounting holes on the AP enclosure, and push the AP downward to lock in place.
- 5 Remove the paperclip to release the lock mechanism and secure the AP.
- 6 To unmount, insert a straightened paperclip into the hole on the side of the AP to unlock, then push the AP upward to release the AP enclosure from the mounting screws.

Mounting to a T-Bar

The ZoneFlex 7352/7372 provides mounting options for flush tile and recessed frame T-bars in acoustical ceiling tiles.

Flush Tile

- 1 Orient the AP so that the T-bar is positioned between the T-bar clips as shown in [Figure 2.](#), then rotate the AP until the third T-bar clip catches the T-bar and the latch locks the T-bar in place ([Figure 3.](#)).

Figure 2.

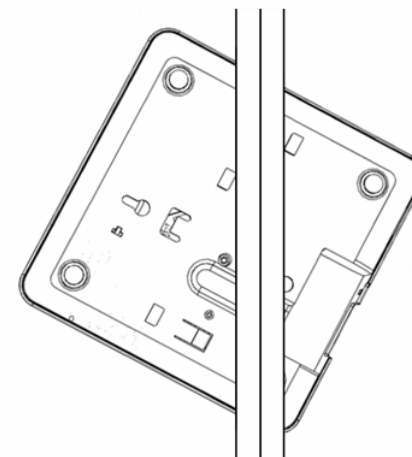
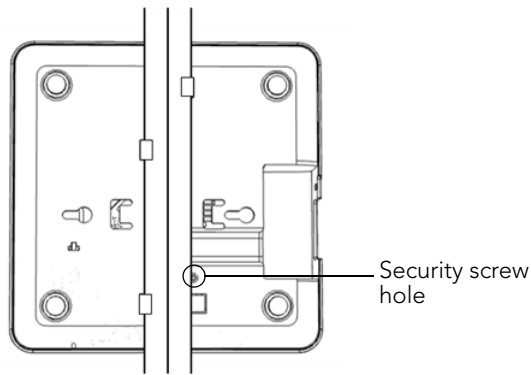


Figure 3.



- 2 Insert the Torx-head security screw into the hole near the latch to lock in place.
- 3 To remove the unit, first remove the security screw, then depress the latch while rotating the AP so that the T-bar clips disengage the T-bar.

Recessed Frame

The enclosed T-bar clips support mounting to recessed frame drop ceiling T-bars.

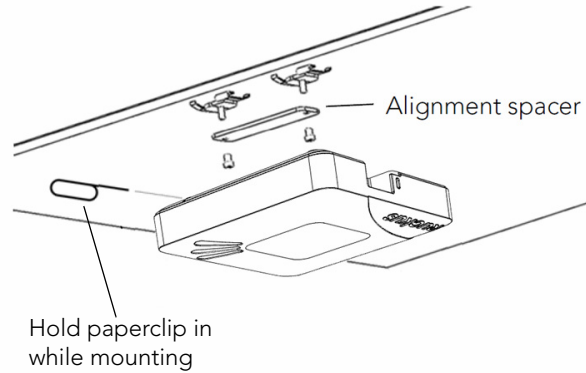
- 1 Fasten T-Bar clips (included) to the T-Bar.
- 2 Twist the two T-bar clips onto the acoustical ceiling T-bar. Adjust the height of the anchor sleeves such that the anchor heads extend just below the ceiling tile surface. Anchor sleeves can be adjusted to accommodate frame recess depths up to 6mm.
- 3 Clip the alignment spacer between the two T-bar clip/anchor sleeve assemblies.
- 4 Insert a straightened paperclip (or similar) into the pinhole on the side of the AP and hold in place while mounting (see [Figure 4](#)).

NOTE:

If the T-bar clips slide easily along the T-bar, use a piece of Scotch tape or similar to secure them in place while mounting the AP. The tape may be removed once the AP is mounted.

- 5 Place the AP over the anchor sleeves such that the heads enter the mounting holes on the AP enclosure, and slide the AP to lock in place.
- 6 Remove the paperclip to release the lock mechanism and secure the AP.
- 7 To remove the AP, insert a straightened paperclip into the hole on the side of the AP to unlock, and then slide the AP to release the AP enclosure from the mounting screws.

Figure 4. Recessed frame T-bar mounting



FOR MORE INFORMATION

You can now use the wireless network to log into the AP's Web interface. Use the Web interface to review and fine-tune a wide range of AP settings. For information on how to configure the AP from the Web interface, refer to the *Ruckus Wireless ZoneFlex Indoor Access Point User Guide* or the Online Help, available from within the Web interface.

