

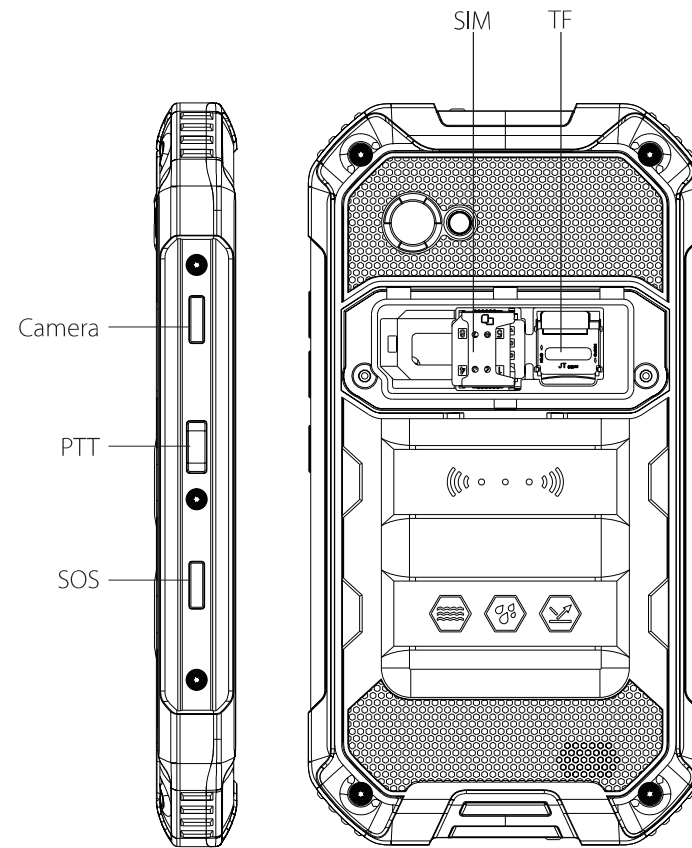


Follow Blackview community where you
can share and discuss with Blackview users.
And we will keep you posted on
most up-to-day news here.

Blackview
Smartphone for everyone

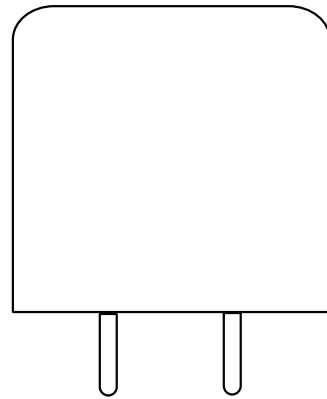
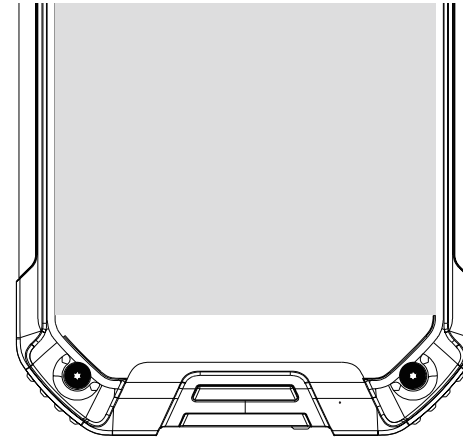
BV6000

<http://www.blackview.hk>

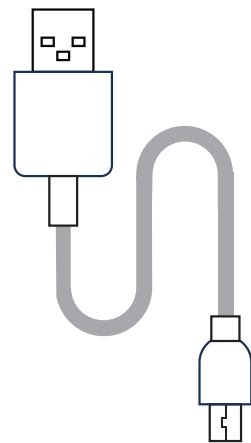


Charge the Phone

- ① Connect the USB cable to your phone



Power Adapter



cable

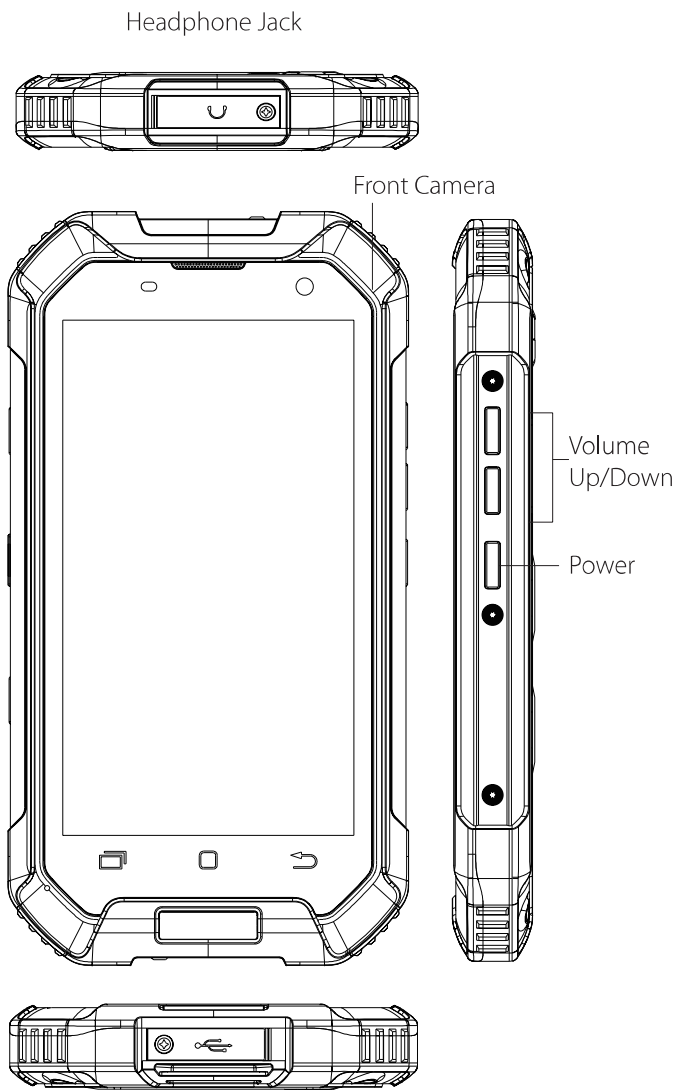
- ② Plug in the power adapter to an electrical outlet to start charging.

Important:

Please use the power adapter and USB cable that packaged in the box for optimum battery performance.

Make sure you charge the battery fully for over 5 hours for the first time.

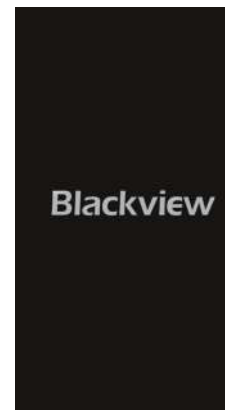
Let the battery drain completely for the first time, thereafter, repeat the charging step until the battery icon stop blinking.



Welcome Screen

For the first time you turn on your device, you will be welcomed by the Welcome Screen.

- ① Tap OK to create more screens for apps and folders.
- ② Follow the onscreen instructions to complete your phone setup.



Get Started

- ① Press and hold the power button on the right side of the panel to turn the phone on or off.

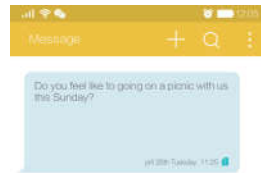


- ② To lock, briefly press the power button.
- ③ To unlock, press the power button briefly, then pull the onscreen lock down to unlock.

Text Messaging

Send a Text Message

- ① Open the Messages app.
- ② Tap to compose a new message.
- ③ Enter a number or tap to browse your contacts.
- ④ Tap the add text field to enter your message.
- ⑤ Tap to send.



Tap to browse
your contacts

Tap to attach a file



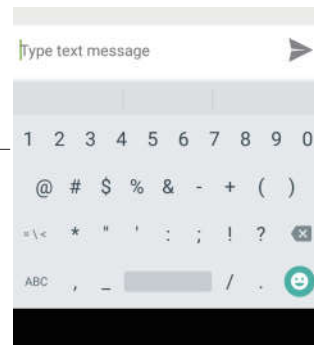
Tap to send



Attach a Picture or Video

- ① While composing a text message, tap
- ② Select Picture, video or other files you want to attach, even make a new one right now.
- ③ Tap ➤ to send.

Record voice message



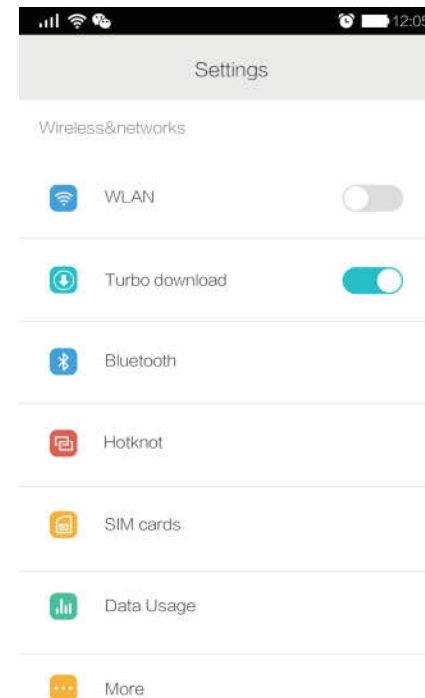
Wi-Fi & Bluetooth

Connect to a Wi-Fi Network

- ① Settings
- ② Under Wireless & networks, turn on Wi-Fi using the On/Off option.
- ③ Tap Wi-Fi, and then choose a Wi-Fi network to connect to (secured networks require password).

Pair with another Bluetooth Device

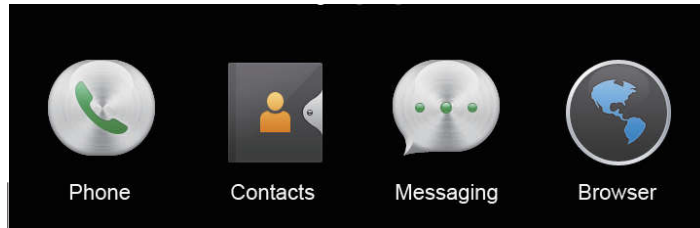
- ① Settings
- ② Under Wireless & networks, turn on Bluetooth using the On/Off option.
- ③ Tap Bluetooth, and then tap Scan for devices.
- ④ Tap an available device to pair.



Contacts & Phone Calls

Add a new contact

The Contacts app preset on the tray at the bottom of the panel, tap it into Set Up My Profile, then click at the right bottom to access Phone Contact page and click Done to save.



Contacts App

Make a Phone Call

- ① Open the Phone app.
- ② Enter a phone number or tap a contact from your contact list.
- ③ Tap call.
- ④ To hang up, tap End Call.



Personalization

Customize Your Phone

Customize your phone with wallpapers, widgets, ringtones, and more.

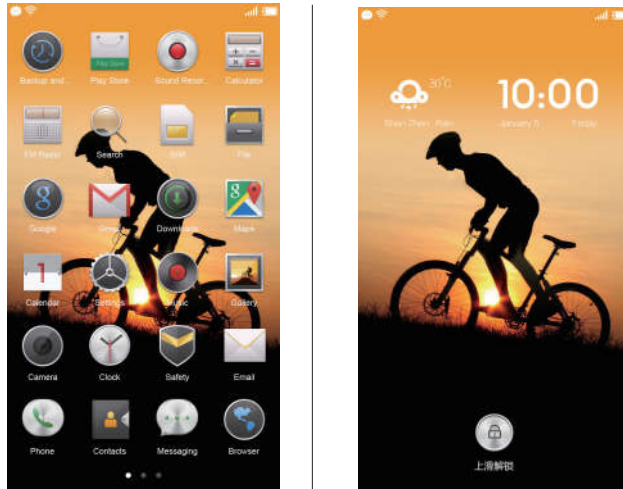
- ① Settings → Personalize to access customization options.
- ② Choose what you want to change, such as sound preferences, display or language.
- ③ Select from the options, and then tap Apply.



Touch Screen & Navigation

Navigate Your Phone

Use your fingertip to lightly tap the screen and select options, and use quick flick of your finger to scroll up/down and left/right. Slide your finger horizontally to the left or right and you'll discover additional space for adding icons, widgets, and more.



- ① Menu Key: In standby mode, touch the key to set wallpaper, view settings, manage apps and view notifications.
- ② Home Key: Touch the key to take you back to the main Home Screen. In idle screen, touch and hold the key to view recently accessed features.
- ③ Back Key: Touch the key to return to the previous menu.



Music & Google Play Store

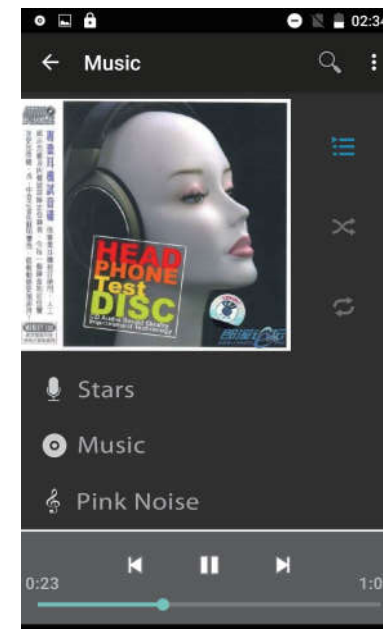
Listen to Music

- ① Settings → Music
- ② Tap to browse a category, such as Artists, Albums, Songs or Playlists.
- ③ While browsing your music collection, tap a song to play it.
- ④ Tap the onscreen icons to control music playback, repeat songs, and more.

Find & Install an App

Google Play Store is the place to go to find a variety of apps for your phone.

- ① Open the Play Store app.
- ② Browse by featured apps or by category, or search for the app you want.
- ③ Tap the app to select it.
- ④ To download or purchase, tap Install (for free apps) or the price button.
- ⑤ If you agree to the conditions, tap Accept & download or Accept & buy.



Other Cool Features

Maps

You can view satellite images or street map with detailed route instructions just as you are walking in the street. The map app can be used to locate yourself, view real-time traffic conditions or public transit.

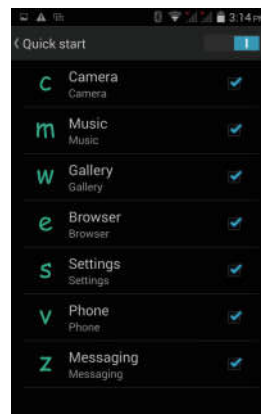
Security Settings

You can lock your phone for security purpose by selecting

Settings → Security → Screen Lock

Screen Gesture

Your smartphone allows quick access to several functions in Standby Mode with a certain gesture functions selected open in your device, such as drawing C to quick access Dial, and slide like an M for playing Music, etc.



Intelligent Dialing

With Proximity Sensor, your smartphone is smart enough to know what you want to do without tapping on it.



Swing to answer

Nearing the ear
to call and answer

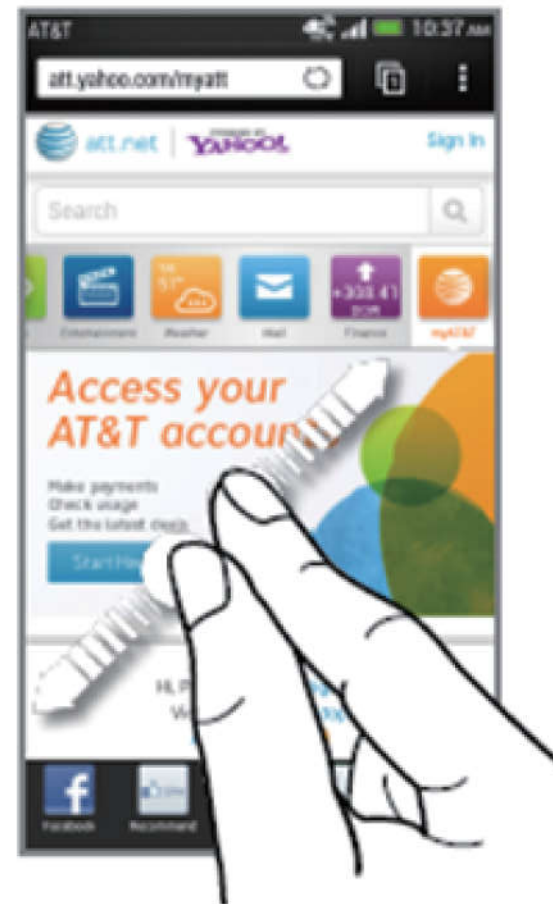
Flip over to mute

Internet

Browse the Web



Once you successfully connect Wifi or select 3G, WCDMA you just need to tap on the browser icon on the apps screen or the shortcut icon on home screen to launch this application.

- ① open the Internet app.
- ② Slide two fingers apart to zoom in or together to zoom out.
- ③ To visit another website, tap the address bar, enter the web address, tap go start surfing on the internet.






Camera

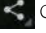
Take a picture

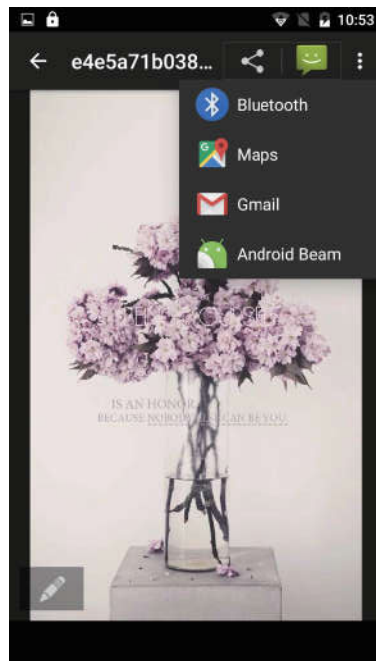
- ① Open the Camera app. 
- ② To zoom in and out, slide your finger on the zoom bar.
- ③ Tap  to take the picture.

Record a video

- ① Open the Camera app. 
- ② Tap  to start record video.
- ③ Slide your finger on the zoom bar to zoom in and out while recording.
- ④ Tap  on the left top of panel to stop recording.

Send a Picture or Video

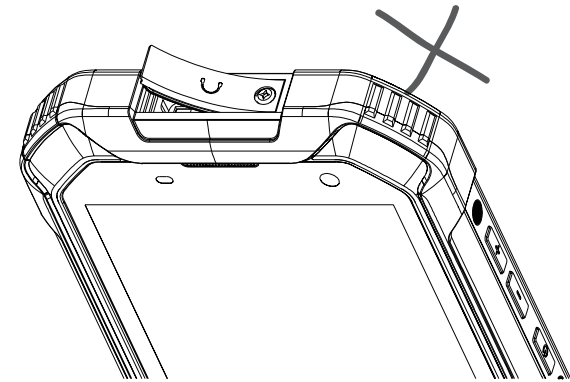
- ① Open the Gallery app.
- ② Browse an album, and then tap a picture or video.
- ③ Tap  on the right top of the panel to share via Bluetooth, send by email, send as a message, or upload to a social network.



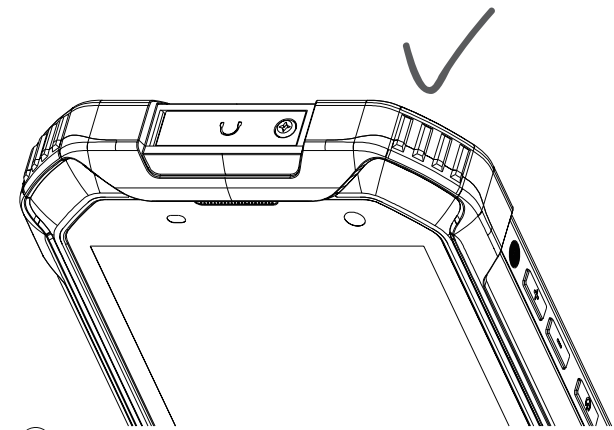
Attention

In order to insure your smartphone can survive after soaking in water, please make sure the several things as follow:

1. Plug the USB rubber;

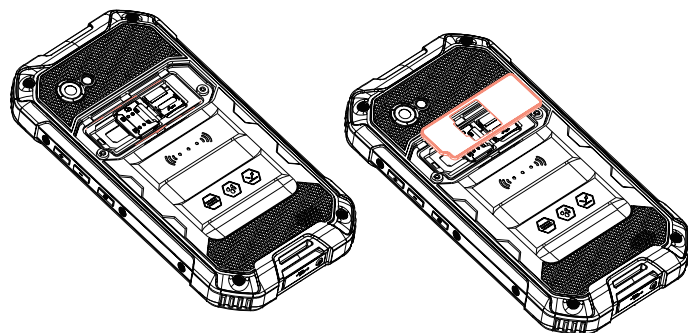


①



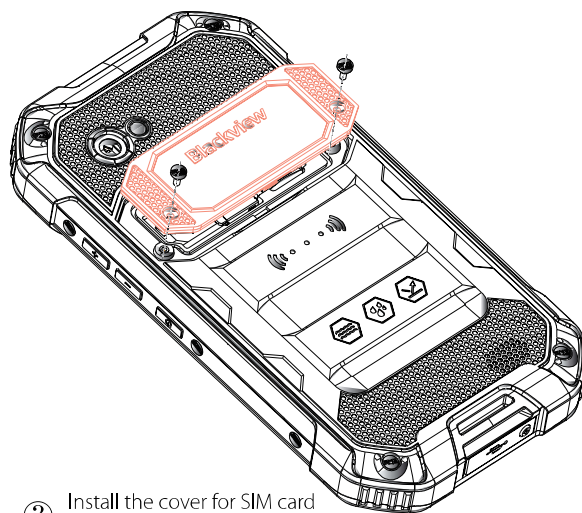
②

2. Flatten the rubber mat and the SIM card cover, as well as tighten the screws;



① Insert the SIM card

② Add the rubber mat



③ Install the cover for SIM card and tighten the screws

Color Option



Sunshine Yellow

Violet Black

Army Green

Dimension

152.3mm x 81mm x 16.6mm



Weight



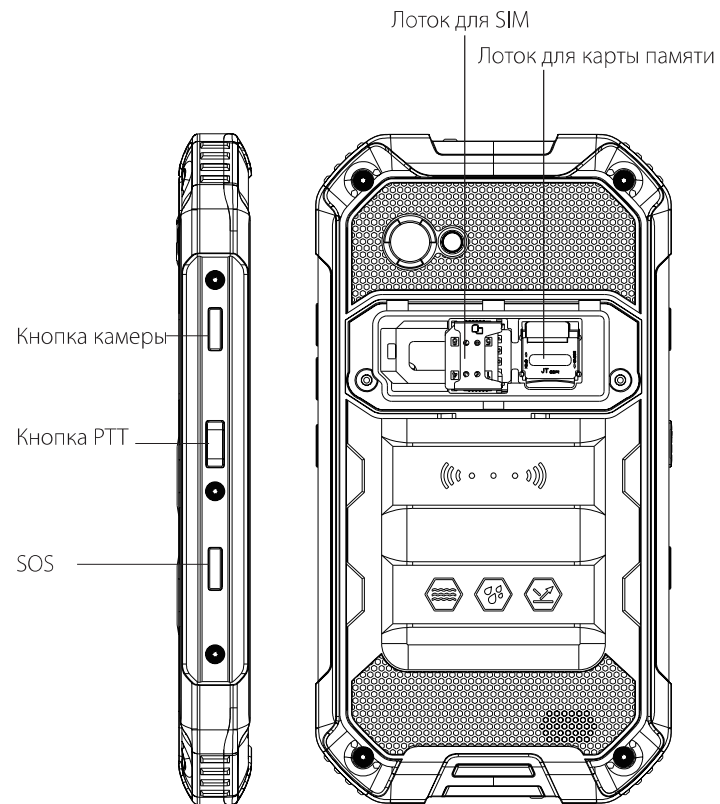
247g

+



560g

4200mAh, Li-Polymer	
Talk Time	About 24h
Web-surfing	About 14.5h
HD Video-playing	About 7.5h
Standby	About 20.5day
*Standby and charging time depend on daily usage habits and network situation	
CPU	Mt6755 ARM Cortex – A53 2.0GHz Octa-core
GPU	Mali T860
Memory	3GB RAM + 32GB ROM (TF 32GB)
Display	4.7" HD 720*1280
OS	Android 6.0
Camera	OV13853 Software 13.0MP Rear Camera Software 5.0MP Front Camera
Network	2G: GSM 850 / 900 / 1800 / 1900 3G: WCDMA 850 / 900 / 1900 / 2100 4G: LTE band 2,4,5,7,12,17
SIM Card	Dual SIM Card, Dual Standby, One Talk Micro SIM Card, TF Card
Sensors	Light Sensor Proximity Sensor Accelerometer Sensor
Multi-media	MP4, 3GP, MOV, MKV, AVI, FLV, MPEG Audio FLAC, APE, AC, MKA, OGG, MIDI, M4A, AMR Image JPEG, PNG, GIF, BMP
NOTE	* The actual size and weight of the phone may vary due to different specifications and assembly tolerance. * The above data were gathered in tests in a lab environment. To avoid phone damage or malfunctioning, please avoid using your phone under extreme conditions.



FCC Warning:

This equipment has been tested and found to comply with the limits for a Class B digital device, pursuant to part 15 of the FCC Rules. These limits are designed to provide reasonable protection against harmful interference in a residential installation. This equipment generates, uses and can radiate radio frequency energy and, if not installed and used in accordance with the instructions, may cause harmful interference to radio communications. However, there is no guarantee that interference will not occur in a particular installation. If this equipment does cause harmful interference to radio or television reception, which can be determined by turning the equipment off and on, the user is encouraged to try to correct the interference by one or more of the following measures:

- Reorient or relocate the receiving antenna.
- Increase the separation between the equipment and receiver.
- Connect the equipment into an outlet on a circuit different from that to which the receiver is connected.
- Consult the dealer or an experienced radio/TV technician for help.

Caution: Any changes or modifications to this device not explicitly approved by manufacturer could void your authority to operate this equipment.

This device complies with part 15 of the FCC Rules. Operation is subject to the following two conditions: (1) This device may not cause harmful interference, and (2) this device must accept any interference received, including interference that may cause undesired operation.

Specific Absorption Rate (SAR)

Information

SAR tests are conducted using standard operating positions accepted by the FCC with the Phone transmitting at its highest certified power level in all tested frequency bands, although the SAR is determined at the highest certified power level, the actual SAR level of the phone While operating can be well below the maximum value, in general, the closer you are to a Wireless base station antenna, the lower the power output. Before a new model phone is an available for sale to the public, it must be tested and certified to the FCC that it does not exceed the exposure limit established by the FCC, Tests for each the FCC that it does not exceed the exposure limit established by the FCC, Tests for each required by the FCC. For body worn operation, this model phone has been tested and meets the FCC RF exposure guidelines when used with an accessory designated for this product or when used with an accessory that contains no metal and that positions the handset a minimum of 10 mm from the body. Non-compliance with the above restrictions may result in violation of RF exposure guidelines.

