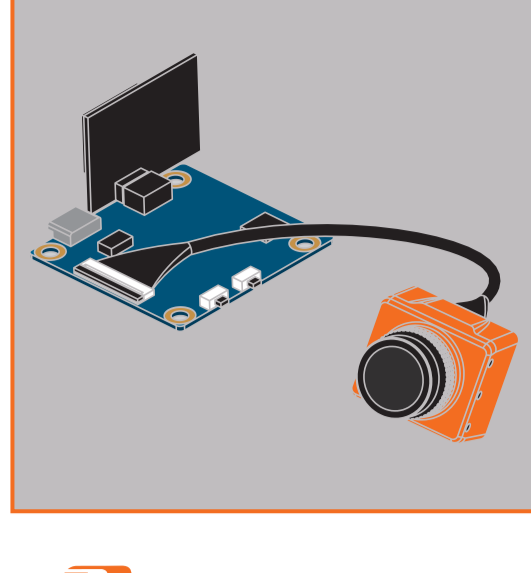
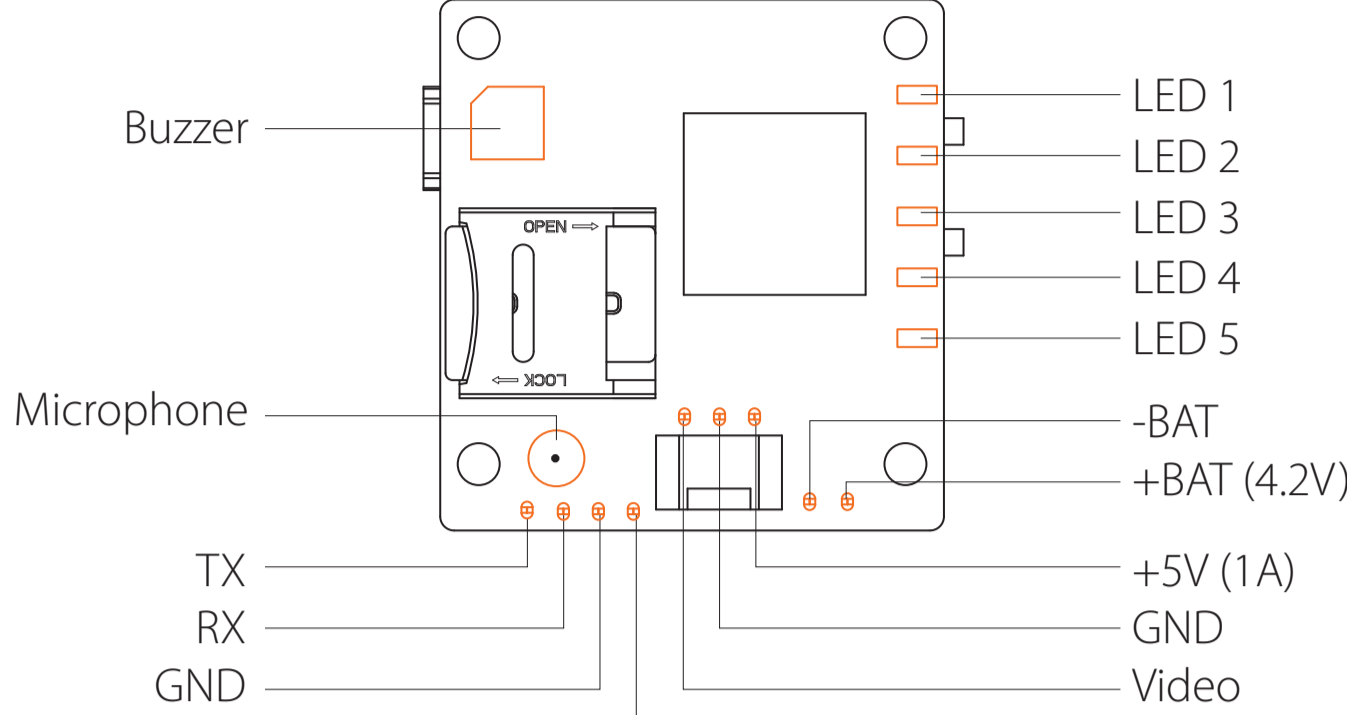


RunCam Split

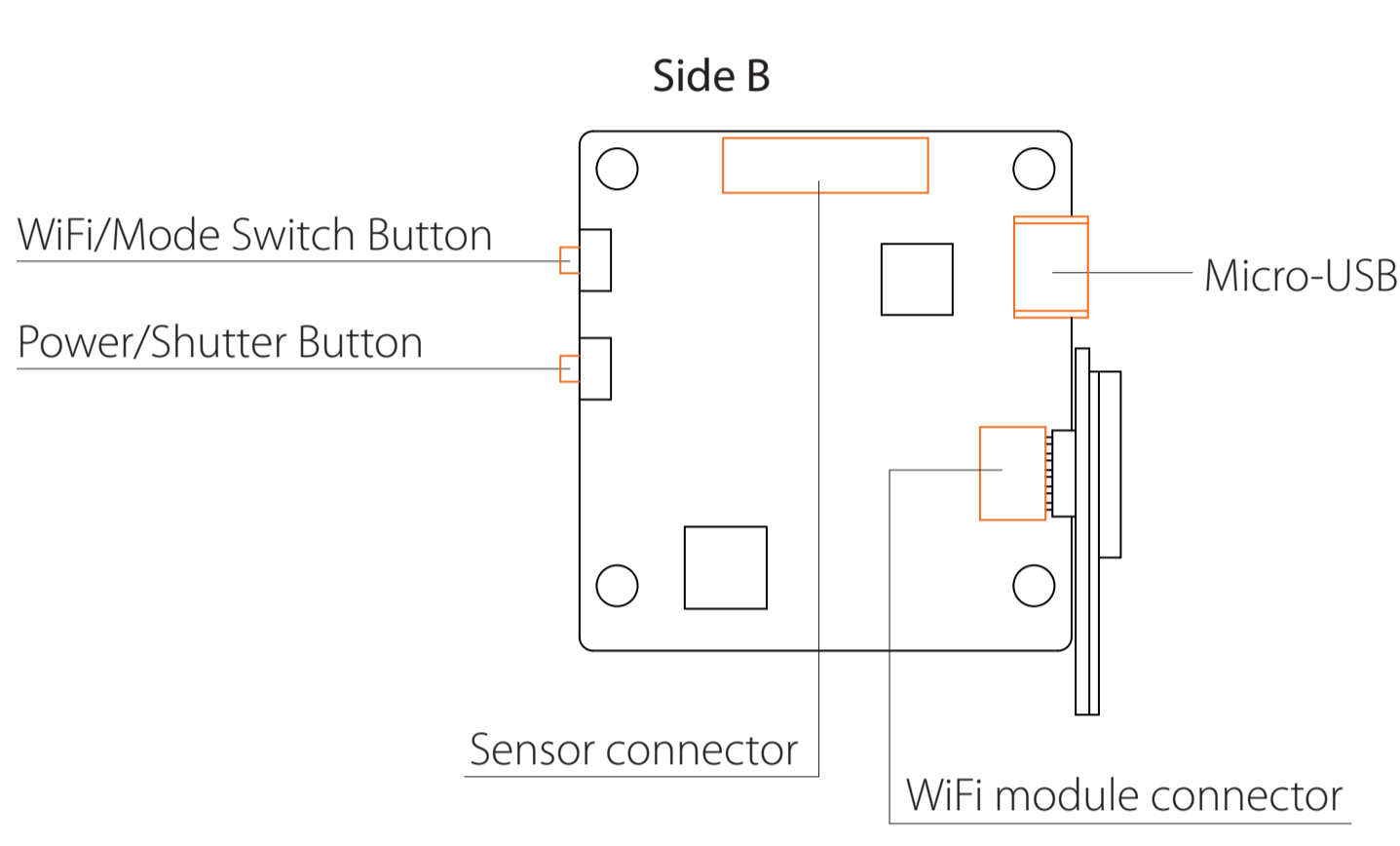
User Manual



Instruction diagram

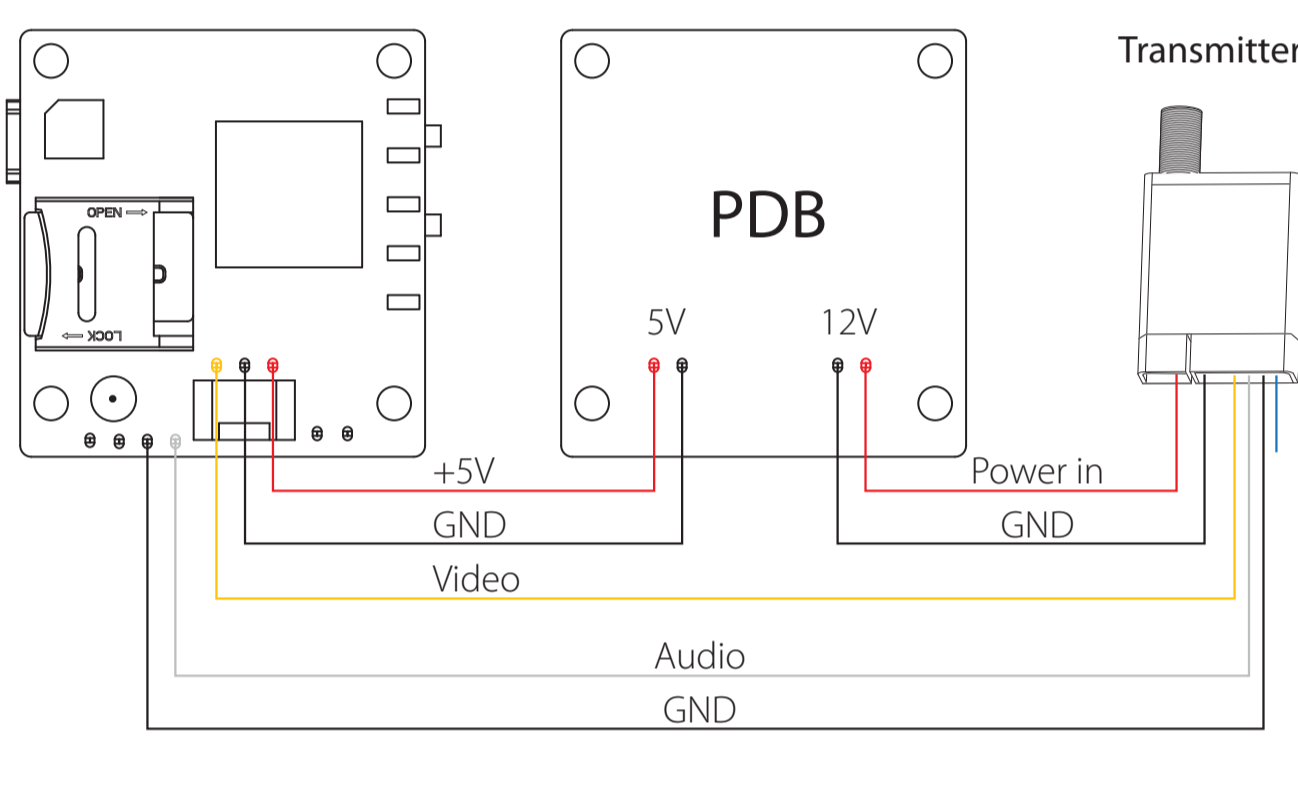


- LED 1: Blue — WiFi status light
- LED 2: Green — Photo mode status light
- LED 3: Blue — Video mode status light
- LED 4: Orange — OSD Setup status light
- LED 5: Red — Power Status Light: Blinking during operation (solid red while charging)

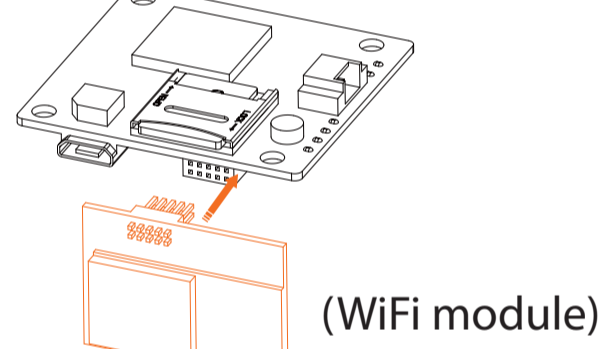


Warning: When connecting to a computer via USB, please cut off the power of the drone firstly.
 USB or 3 pin power interface only supports DC 5V power supply.
 Battery solder joints only support 4.2V lithium-ion battery.

5.8G Transmitter connection diagram



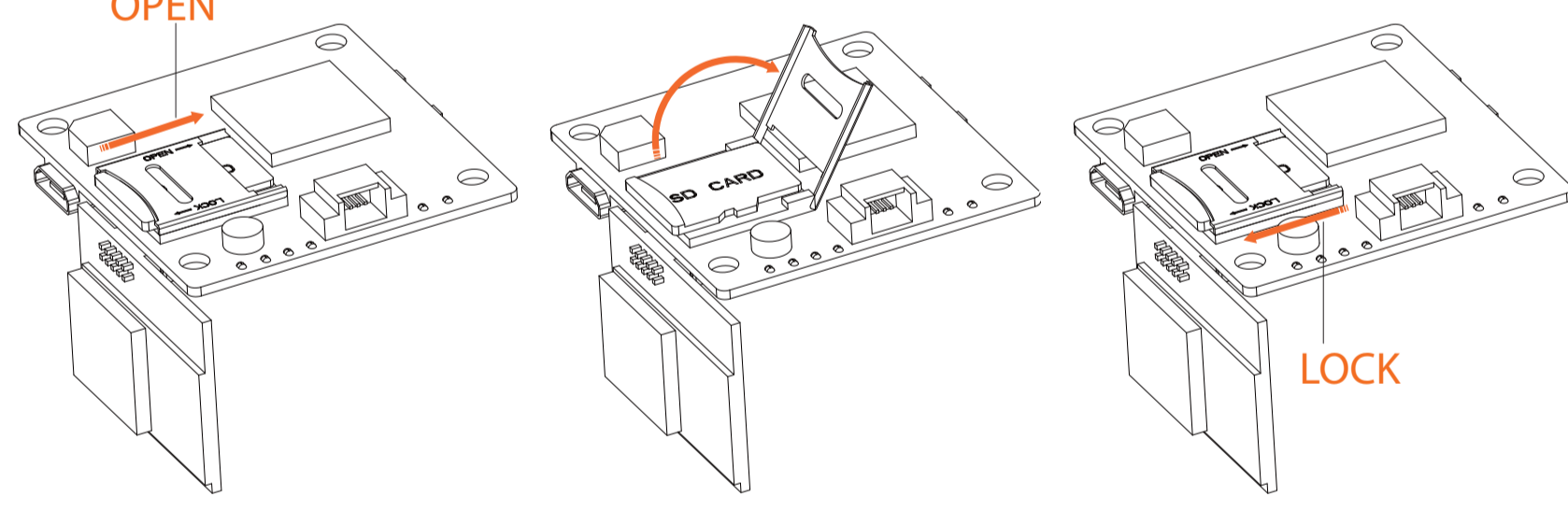
WiFi module connection diagram



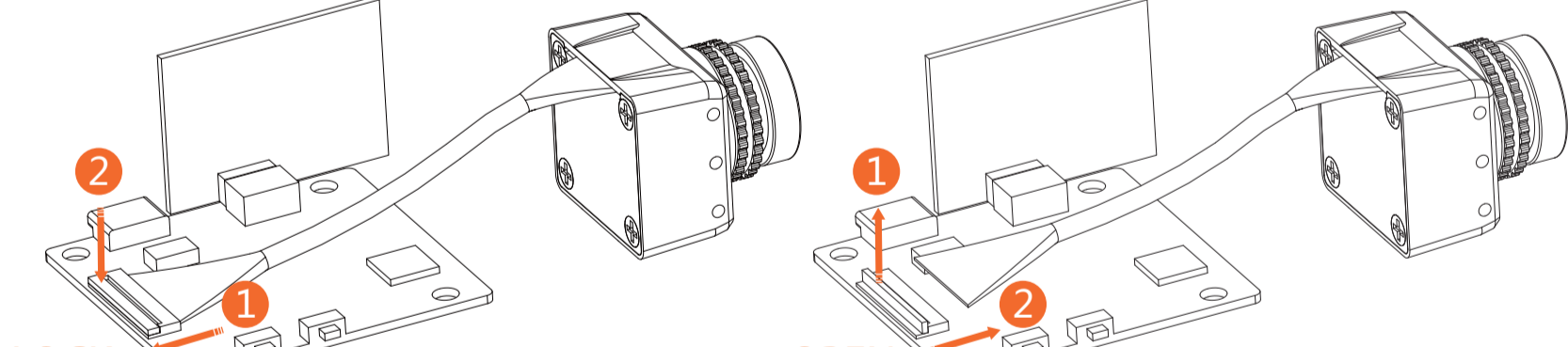
Warning: WiFi module is removable. Please insert the WiFi module in the correct direction! Otherwise the module could be damaged.

MicroSD Card

Capacity up to 64GB; Please use high speed cards(Class10/UHS-I/UHS-II).



Lens module connection diagram



Basic Camera Operation

Powering On/Off	Long press the Power/Shutter button
WiFi On/Off	Short press the WiFi/Mode Switch button
Mode Switching	After powering on, long press the WiFi/Mode Switch button to cycle through the three modes: Video/Photos/OSD settings.
Video Mode	Camera Status Light: Blue (LED 3) • Press the Power/Shutter button to start/stop recording.
Photo Mode	Camera Status Light: Green (LED 2) • Press the Power/Shutter button to capture photos.
OSD Setup Mode	Camera Status Light: Orange (LED 4) • Press the Power/Shutter button to move to a setting. • Press the WiFi/Mode Switch button to select. • Long press the WiFi/Mode Switch button to exit the menu.
Forced Shutdown	Simultaneously press the Power/Shutter button and WiFi/Mode Switch button.
Reset	In standby mode, press the WiFi/Mode Switch button three times in rapid succession (within 2 seconds). When resetting is complete, the status light (orange) blinks twice, and the camera automatically shuts down.

The module is designed to comply with the FCC statements. FCC ID: XXXXXX
 the final device should contain the following text: "Contains FCC ID:XXXXXX"

App(Android | iOS)

Search 'RunCam App' on Google Play/Apple Store, or download on our website:

runcam.com/download/runcamSplit

Default SSID: RCSplit_***** (* for letters or numbers)

Default WiFi password: 1234567890

Check Complete User Manual

Please visit: runcam.com/download/runcamSplit

FCC Statement

This equipment has been tested and found to comply with the limits for a Class B digital device, pursuant to part 15 of the FCC rules. These limits are designed to provide reasonable protection against harmful interference in a residential installation. This equipment generates, uses and can radiate radio frequency energy and, if not installed and used in accordance with the instructions, may cause harmful interference to radio communications. However, there is no guarantee that interference will not occur in a particular installation. If this equipment does cause harmful interference to radio or television reception, which can be determined by turning the equipment off and on, the user is encouraged to try to correct the interference by one or more of the following measures:

- Reorient or relocate the receiving antenna.
- Increase the separation between the equipment and receiver.
- Connect the equipment into an outlet on a circuit different from that to which the receiver is connected.
- Consult the dealer or an experienced radio/TV technician for help.

To assure continued compliance, any changes or modifications not expressly approved by the party.

Responsible for compliance could void the user's authority to operate this equipment. (Example- use only shielded interface cables when connecting to computer or peripheral devices).

This equipment complies with Part 15 of the FCC Rules. Operation is subject to the following two conditions:

- (1) This device may not cause harmful interference, and
- (2) This device must accept any interference received, including interference that may cause undesired operation.

RF warning statement:

This equipment complies with FCC radiation exposure limits set forth for an uncontrolled environment.

This equipment should be installed and operated with minimum distance 20cm between the radiator & your body.