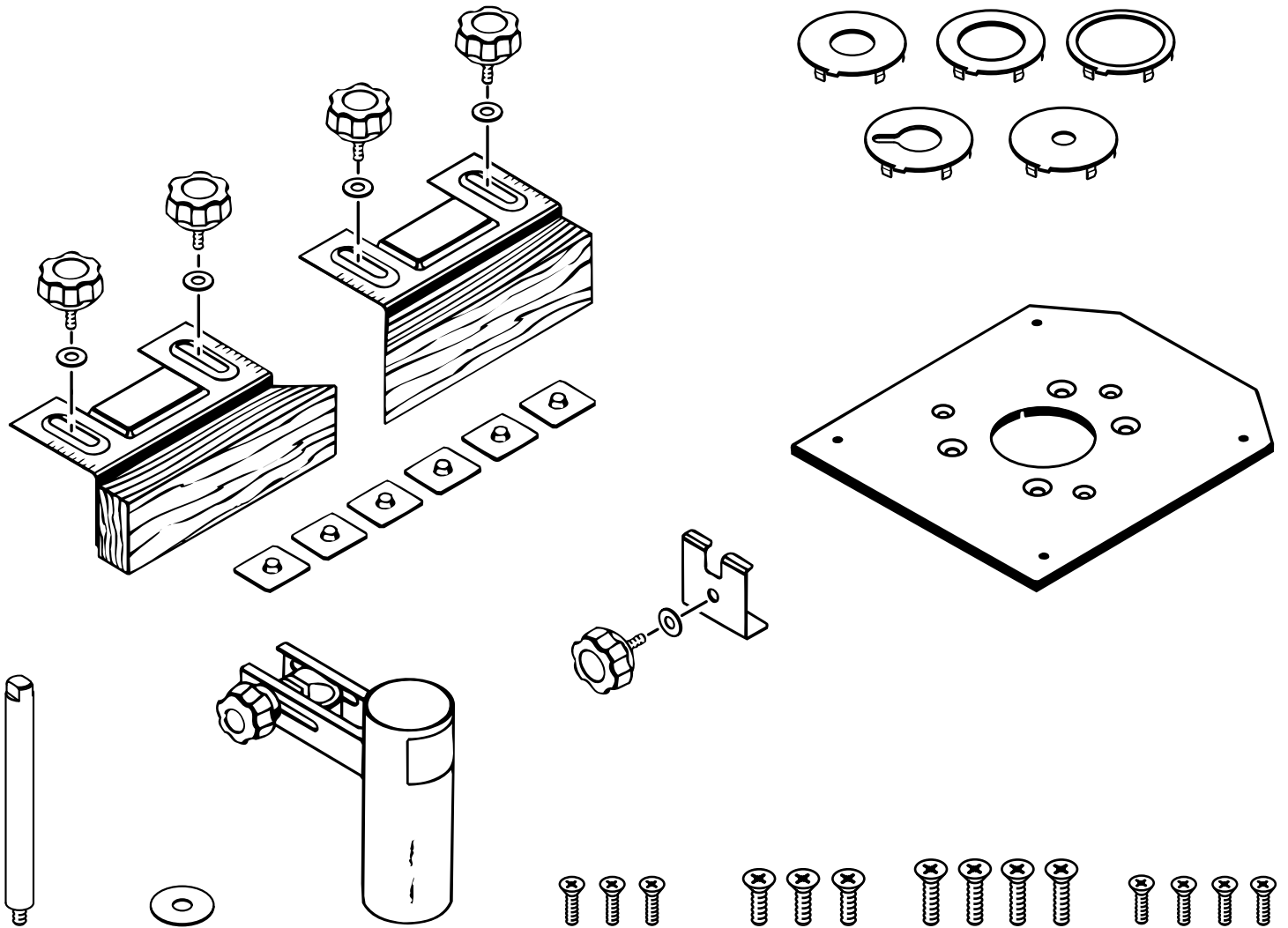




# OPERATOR'S MANUAL

## #4950300 ROUTER MOUNTING KIT

(FOR USE WITH THE BT3000 TABLE SAW)



### CONGRATULATIONS AND THANK YOU FOR BUYING THIS RYOBI ROUTER MOUNTING KIT.

Your new **#4950300 Router Mounting Kit** has been designed for use with the **RYOBI BT3000 Table Saw**. It has been engineered and manufactured to Ryobi's high standards for dependability, ease of operation, and operator safety. This kit gives you the capability of mounting a router on the accessory table of your BT3000. Properly cared for, it will provide years of dependable, trouble-free performance.

**SAVE THIS MANUAL FOR FUTURE REFERENCE**

# RULES FOR SAFE OPERATION

- **READ THESE INSTRUCTIONS THOROUGHLY** before assembling or using this router mounting kit.
- **READ THE INSTRUCTIONS AND RULES OF SAFE OPERATION FOR THE BT3000 TABLE SAW** before operating your saw with this kit.
- **KEEP ASSEMBLY AREA AND WORK AREA CLEAN.** Cluttered areas and benches invite accidents.
- **ALWAYS WEAR SAFETY GLASSES.** Everyday eyeglasses have only impact-resistant lenses; they are **NOT** safety glasses.
- **DO NOT USE THIS PRODUCT WITH OTHER EQUIPMENT OR FOR OTHER PURPOSES.**
- **ALWAYS DISCONNECT SAW FROM POWER SUPPLY BEFORE ASSEMBLING THIS KIT.** Make sure switch is off when reconnecting saw to power supply.
- **DO NOT MAKE ADJUSTMENTS** until cutter has come to a complete stop and tool has been disconnected from power source.
- **FEED WORKPIECE AGAINST ROTATION OF CUTTER.**
- **DO NOT USE AWKWARD HAND POSITIONS.**
- **KEEP FINGERS** away from revolving cutter, use fixtures when necessary.
- **WHENEVER POSSIBLE,** always use dust cover for overhead guarding.
- **DO NOT REMOVE JAMMED CUT OFF PIECES UNTIL** cutter has stopped and tool has been disconnected from power source.
- **HOLD WORKPIECE FIRMLY AGAINST THE TABLE.**
- **UNUSED SAW MAY CAUSE PERSONAL INJURY.** Disconnect motor cord from the receptacle on your saw and plug accessory power cord into the receptacle. Always use the saw's master switch to turn the accessory **ON** and **OFF**.
- **NEVER USE A ROUTER BIT** larger in diameter than the opening in the router mounting plate.
- **SAVE THESE INSTRUCTIONS.** Refer to them frequently and use to instruct other users. If you loan someone this accessory, loan them these instructions also.

The purpose of safety symbols is to attract your attention to possible dangers. The safety symbols, and the explanations with them, deserve your careful attention and understanding. The safety warnings do not by themselves eliminate any danger. The instructions or warnings they give are not substitutes for proper accident prevention measures.

## SYMBOL

## MEANING



**SAFETY ALERT SYMBOL:** Indicates danger, warning, or caution. May be used in conjunction with other symbols or pictographs.



**DANGER:** Failure to obey a safety warning will result in serious injury to yourself or to others. Always follow the safety precautions to reduce the risk of fire, electric shock, and personal injury.



**WARNING:** Failure to obey a safety warning can result in serious injury to yourself or to others. Always follow the safety precautions to reduce the risk of fire, electric shock, and personal injury.



**CAUTION:** Failure to obey a safety warning may result in property damage or personal injury. Always follow the safety precautions to reduce the risk of fire, electric shock and personal injury.

**NOTE:** Advises you of information or instructions vital to the operation or maintenance of the equipment.

# UNPACKING

## **WARNING:**

Do not attempt to operate this tool until you have read thoroughly and understand completely all instructions, safety rules, etc. contained in this manual. Failure to comply can result in accidents involving fire, electric shock, or serious personal injury. Save this operator's manual and review frequently for continuing safe operation and instructing others who may use this tool.

Your new Router Mounting kit includes one mounting plate, two guide fences with guide blocks, a guard/dust cover with pivot assembly, five throat plates, plus the necessary brackets and connecting hardware required to mount a **Ryobi Router** to the accessory table of your BT3000 table saw.

## **INTRODUCTION**

As mentioned previously, this kit gives you the capability of mounting a router on the accessory table of your BT3000. A router mounted on the accessory table will provide expanded capabilities for making rabbets, grooves, chamfers, dovetails, and mortise and tenon joints.

The additional versatility gained from use of this kit will turn your BT3000 table saw into a remarkable wood-shaping center.

### **Note:**

This router kit has been specifically designed for use with **Ryobi Routers Only**. The hole pattern on the mounting plate has **not** been drilled to accommodate other routers on the market.

## **CHECKING PARTS**

Separate all parts from packing materials. Check your parts with the parts list on page 4. Refer to Figure 1 if you are unsure about the description of any part. If any parts are missing, delay assembly of this kit until you have obtained the missing part(s).

## **WARNING:**

Attempting to assemble the Router Mounting kit or to use in any way without obtaining any missing parts and installing them correctly, could result in an accident resulting in possible serious injury.

## **TOOLS NEEDED**

Tools needed for assembly of this kit are a phillips screwdriver, two slotted screwdrivers, and an adjustable wrench.

**Note:** The adjustable wrench will be used to tighten the threaded post into one of the special 5/16 in. T-nuts provided.

## **WARNING:**

Unplug the power supply cord of your BT3000 from the electrical outlet before you begin mounting this kit. It should remain disconnected until the mounting operation is complete, all attachments are installed properly, and they have been checked to make sure they are secure. Failure to unplug your saw could result in accidental starting causing possible serious personal injury.

# LOOSE PARTS

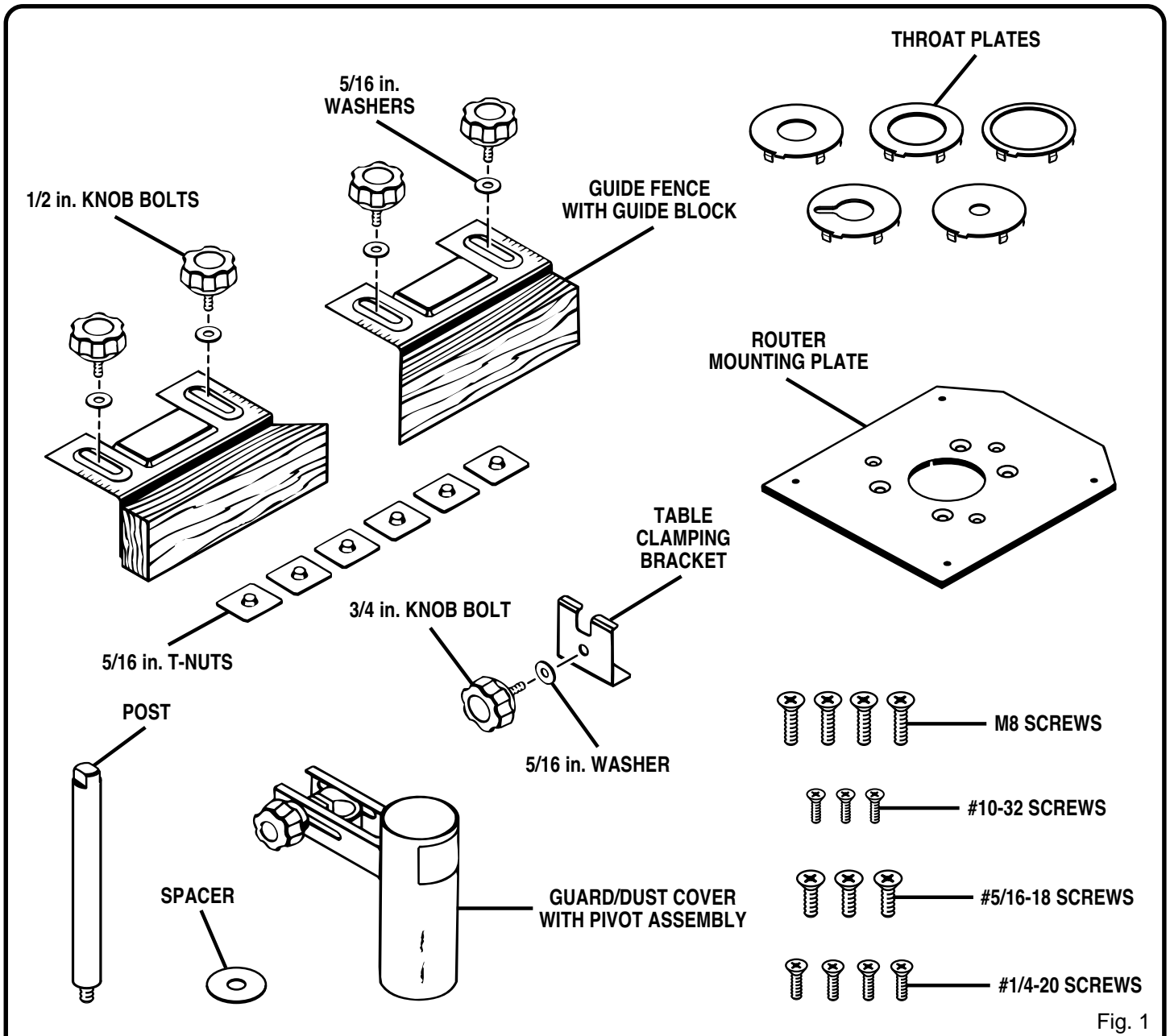


Fig. 1

## LIST OF LOOSE PARTS

Your #4950300 Router Mounting Kit includes the following parts:

DESCRIPTION	QUANTITY	DESCRIPTION	QUANTITY
Guide Fence with Guide Block .....	2	Router Mounting Plate .....	1
Knob Bolt (5/16-18 x 1/2 in. for Guide Fence) .....	4	Table Clamping Bracket .....	1
5/16 in. Washer .....	5	Knob Bolt (#5/16-18 x 3/4 in. for Table Clamp) .....	1
5/16 in. T-Nut (Special) .....	6	Screw (M8 x 24 mm flat head) .....	4
Spacer .....	1	Screw (#10-32 x 1/2 in. flat head) .....	3
Post .....	1	Screw (#5/16-18 x 3/4 in. flat head) .....	3
Guard/Dust Cover with Pivot Assembly .....	1	Screw (#1/4-20 x 1/2 in. flat head) .....	4
Throat Plates .....	5		

# ASSEMBLY

Read these instructions completely before beginning assembly of this kit.

## ROUTER MOUNTING



### WARNING:

The saw's motor cord must be disconnected from the receptacle on the saw when using this kit. The power cord of the router must be plugged into the receptacle on the saw. The saw's master switch must be used to turn the router **ON** and **OFF**. Failure to do so could result in serious injury.

### IMPORTANT

This router kit has been specifically designed for use with **Ryobi Routers**. The hole pattern on the mounting plate has **not** been drilled to accommodate other routers on the market.

**Note:** Mounting screws for Ryobi routers, model numbers R160, R165, RE170, RE170VS, R175, RE175, R180, RE185, RE600, and RE601 are provided in this kit. Model R175 must also use #4830175 depth control kit.

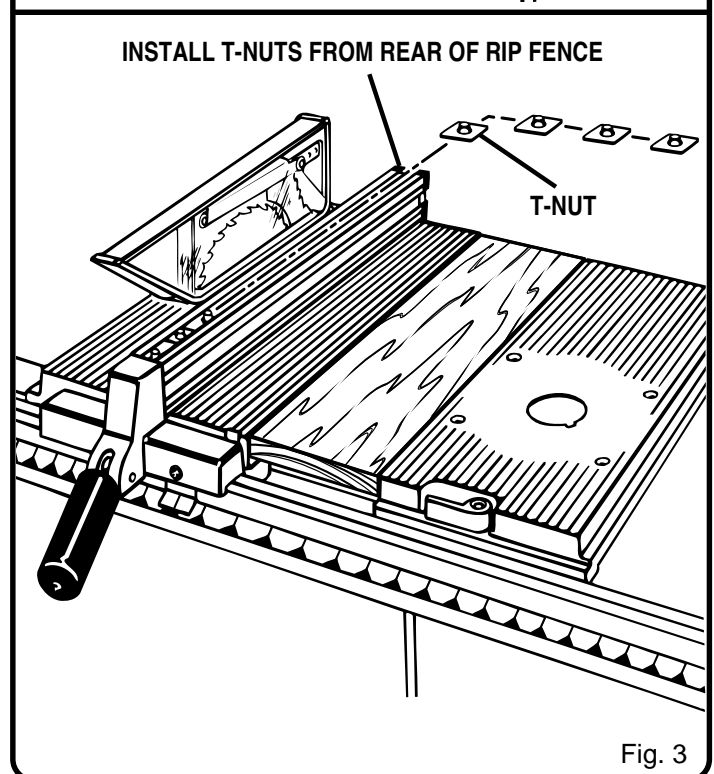
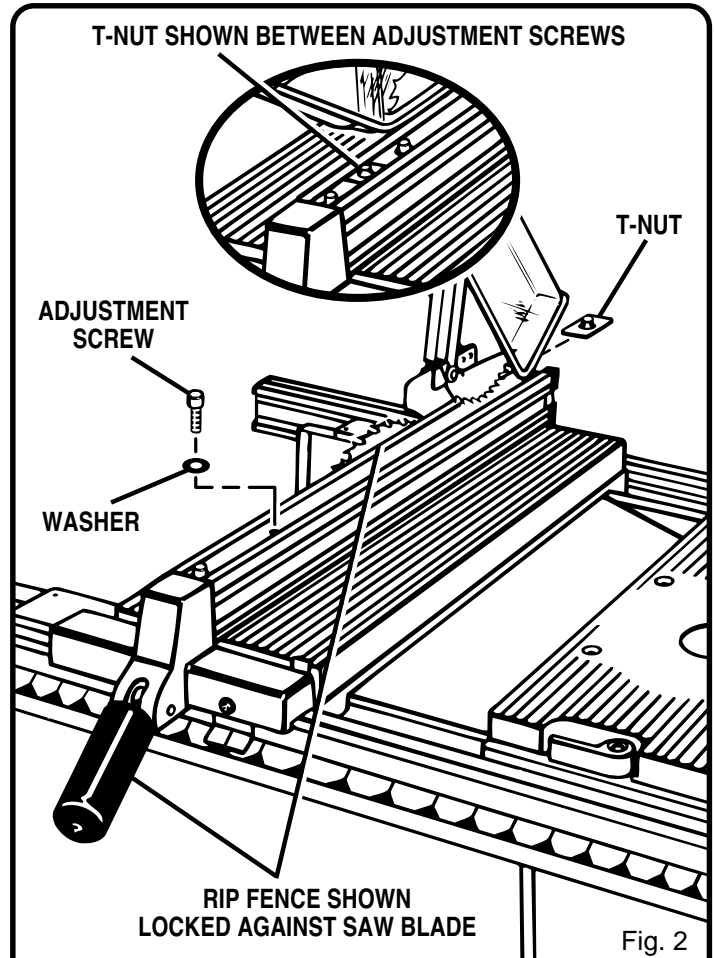
### TO INSTALL T-NUTS FOR GUIDE FENCE BRACKETS:

See Figure 2.

This kit requires that five of the six special 5/16 in. T-nuts provided fit in the top channel of the rip fence on your BT3000 table saw.

- Using the appropriate allen wrench supplied with your BT3000 table saw, remove the rear adjustment screw and washer on top of the rip fence.
- Slide one of the T-nuts into the top channel of rip fence and place between the two adjustment screws.
- Note:** T-nuts install from the rear of the rip fence.
- Replace the washer and the rear adjustment screw and tighten securely.
- Check the rip fence for squareness with the saw blade.
- Unlock the rip fence, slide it away from the saw blade, and lock it in place.
- Slide the four remaining T-nuts into the top channel of rip fence. See Figure 3.

**Note:** Five T-nuts should be in the top channel of the rip fence with only one of them between the adjustment screws on the rip fence.



# ROUTER MOUNTING

## TO INSTALL GUIDE FENCE BRACKETS:

- To install the guide fence brackets, align each bracket with two of the T-nuts on top of the rip fence. See *Figure 4*.

**Note:** Use the front two T-nuts and the back two T-nuts leaving the one in the middle empty.

- Secure the guide fence brackets to the rip fence with 5/16 in. washers and the 5/16 in. x 1/2 in. knob bolts.

## TO INSTALL POST, GUARD/DUST COVER WITH PIVOT ASSEMBLY:

- Place the spacer on the threaded end of the post and thread the post into the remaining T-nut. See *Figure 4*.
- Tighten the post securely with an adjustable wrench on the flats on the top of the post.
- Place the guard/dust cover with pivot assembly on the post. See *Figure 4*.
- The assembly will slide up and down on the post as needed. Secure at the desired location by tightening the knob nut attached to the carriage bolt.

## TO ASSEMBLE ROUTERS WITH 2-HOLE PATTERN TO ROUTER MOUNTING PLATE:

See *Figures 5 and 6*.

**Note:** For Ryobi routers, model numbers R175 and RE175. Model R175 must also use #4830175 depth control kit.

- Unplug the router.



**WARNING:** Unplug the router to avoid possible injury.

- The black plastic subbase is glued to the router base. Do not remove. Make sure the router switch is **OFF** and the router is not connected to a power source.
- Place the router upside down on a workbench and align mounting holes of the mounting plate with the two threaded holes in the router base.
- The switch handle of the router should be facing the squared end of the mounting plate. See *Figure 5*.

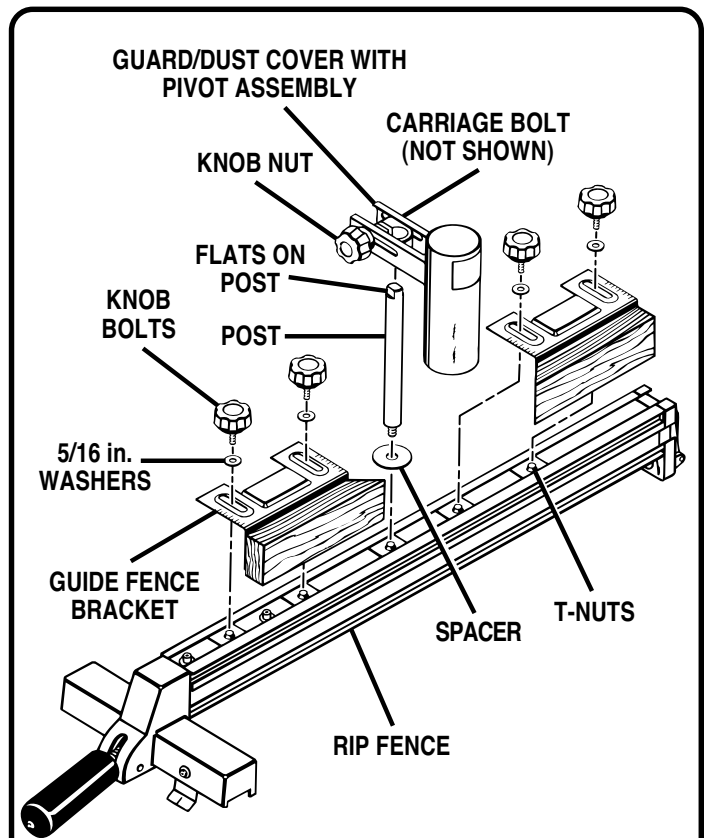


Fig. 4

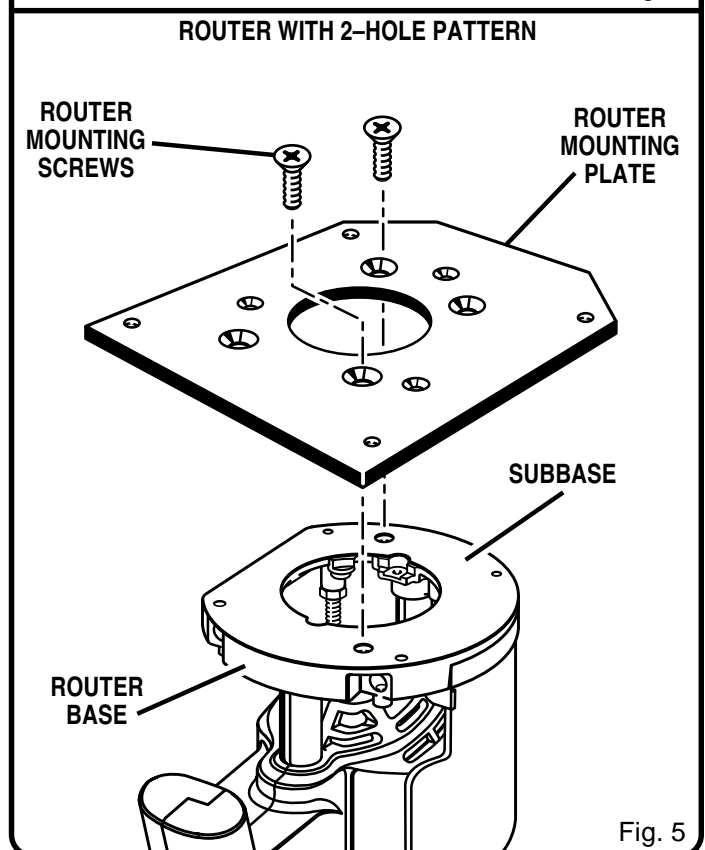


Fig. 5

# ROUTER MOUNTING

## TO ASSEMBLE ROUTERS WITH 2-HOLE PATTERN TO ROUTER MOUNTING PLATE (cont'd):

See Figures 5 and 6.

- Secure the router mounting plate to the router using two 5/16-18 x 3/4 in. bolts provided in the router mounting kit.
- Properly installed, the mounting plate will be securely attached to the router.  
See Figure 6.
- Tighten screws securely.

## TO ASSEMBLE ROUTERS WITH 3-HOLE PATTERN TO ROUTER MOUNTING PLATE:

See Figures 7 and 8.

**Note:** For Ryobi routers, model numbers R160, R165, RE170, RE170VS, R180, and RE185.

- Unplug the router.



**WARNING:** Unplug the router to avoid possible injury.

- Make sure the router switch is **OFF** and the router is not connected to a power source.
- Place the router upside down on a workbench and remove the subbase screws and subbase from the router.
- Align mounting holes of the mounting plate with the three threaded holes in router base.
- The switch handle of the router should be facing the squared end of the mounting plate.  
See Figure 7.

- Secure the router mounting plate to the router using three 5/16-18 x 3/4 in. bolts provided in the router mounting kit.
- Properly installed, the mounting plate will be securely attached to the router.  
See Figure 8.
- Tighten screws securely.

2-HOLE ROUTER WITH MOUNTING PLATE ATTACHED

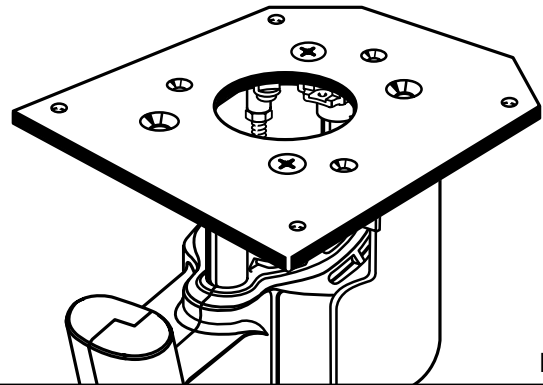


Fig. 6

ROUTER WITH 3-HOLE PATTERN

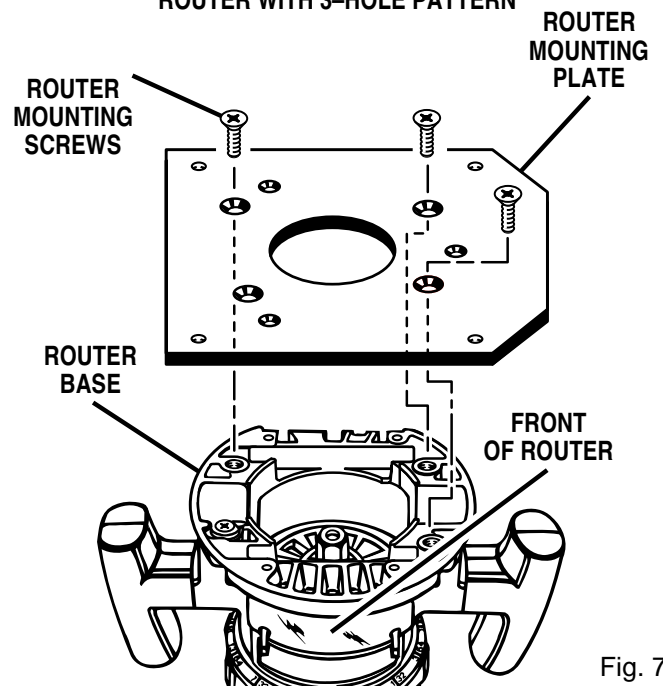


Fig. 7

3-HOLE ROUTER WITH MOUNTING PLATE ATTACHED

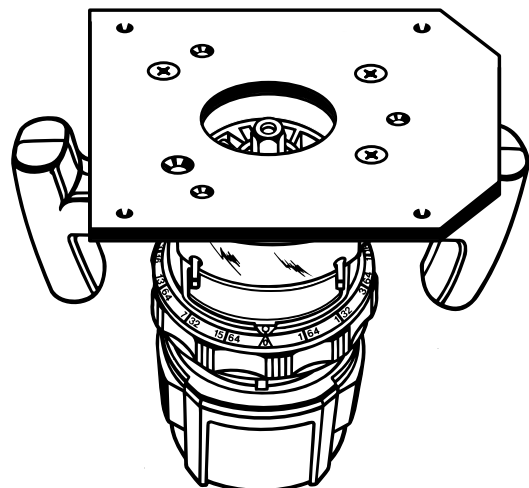


Fig. 8

# ROUTER MOUNTING

## TO ASSEMBLE ROUTERS WITH 4-HOLE PATTERN TO ROUTER MOUNTING PLATE:

See Figures 9 and 10.

**Note:** For Ryobi routers, model numbers RE600 and RE601.

- Unplug the router.



**WARNING:** Unplug the router to avoid possible injury.

- Make sure the router switch is **OFF** and the router is not connected to a power source.
- Place the router upside down on a workbench and remove the subbase screws and subbase from the router.
- Align mounting holes of the mounting plate with the four threaded holes in the router base.
- The switch handle of the router should be facing the squared end of the mounting plate.  
See Figure 9.
- Secure the router mounting plate to the router using four M8 flat head screws provided in the router mounting kit.
- Properly installed, the mounting plate will be securely attached to the router.  
See Figure 10.
- **Tighten screws securely.**

## TO ASSEMBLE MOUNTING PLATE WITH ROUTER ATTACHED TO ACCESSORY TABLE:

- Place the router and the mounting plate under the accessory table. See Figure 11.
- Secure the mounting plate to accessory table using the four #1/4-20 x 1/2 in. flat head screws provided.

**Note:** The accessory table can be removed from the table saw to attach the router and mounting plate. Follow instructions in the table saw operator's manual for removing and reattaching the accessory table.

- **Tighten screws securely.**

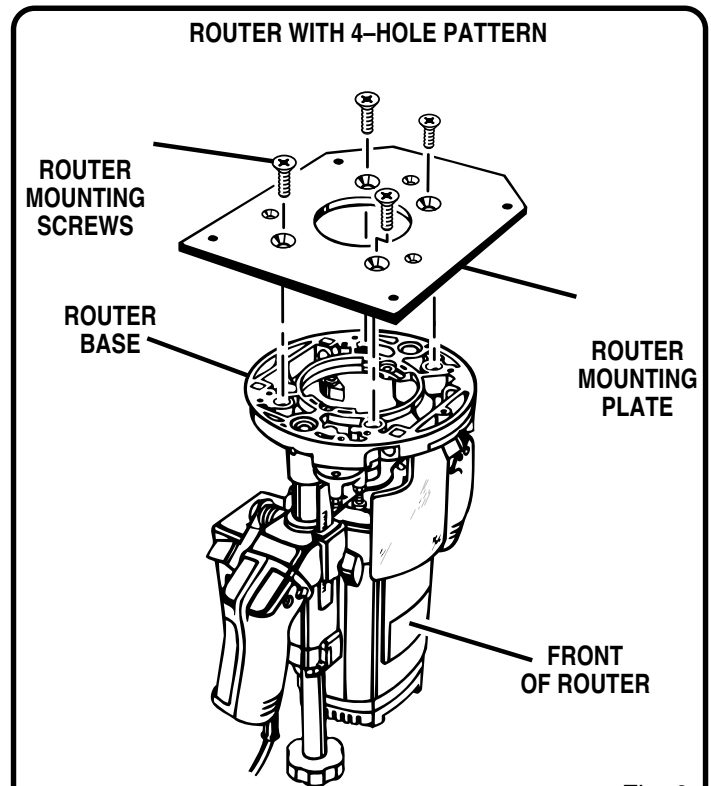


Fig. 9

## 4-HOLE ROUTER WITH MOUNTING PLATE ATTACHED

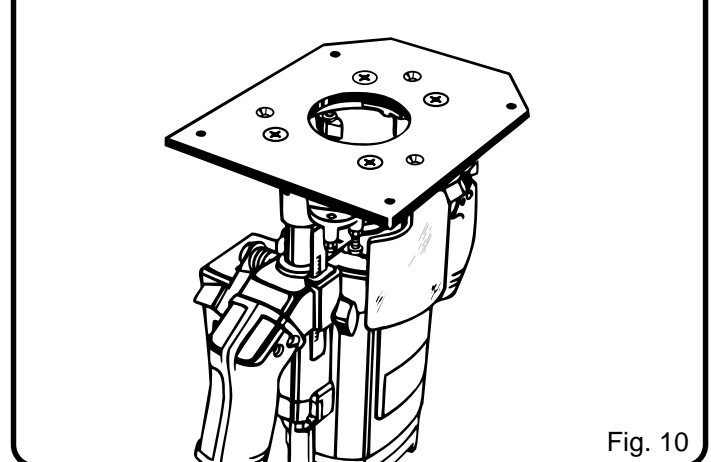


Fig. 10



# ROUTER MOUNTING

## INSTALLING ROUTER BIT AND THROAT PLATE:

- Follow the instructions in the operator's manual of your router for this procedure. Install router bit and securely tighten in collet.

### **CAUTION:**

Make sure the router bit will not strike the accessory table or any metal surface.

- Select the correct size throat plate for the size of the router bit. Align the tab on the throat plate with the slot in the accessory table and snap in place. Make sure the throat plate is firmly seated below the table surface. Recheck the router bit to make sure it will not strike the throat plate.

### **WARNING:**

The router throat plates are included to assure no more than 1/4 in. (6.4 mm) clearance between the cutter and the opening in the throat plate. Use correct throat plate. Do not use a router bit smaller than 1/4 in. (6.4 mm) or larger than 2 in. (50 mm) in diameter.

## TO ASSEMBLE TABLE CLAMPING BRACKET:

The lever on the accessory table will tighten the table securely to the front rail. The weight of the router and mounting plate may cause the accessory table to loosen or have movement at the rear of the table. To avoid this, install the table clamping bracket supplied with this kit.

- Remove end plug from rear rail as shown in *Figure 12*.
- Slide one of the T-nuts into the front channel of the rear rail and under the accessory table.
- The table clamping bracket fits in the bottom slot of the rear rail. The slotted top of this bracket wraps around the raised portion on the underside of the accessory table clamping it tightly against the rear rail.
- Secure with a 5/16 in. washer and 5/16-18 x 3/4 in. knob bolt.
- **Tighten knob bolt securely.**

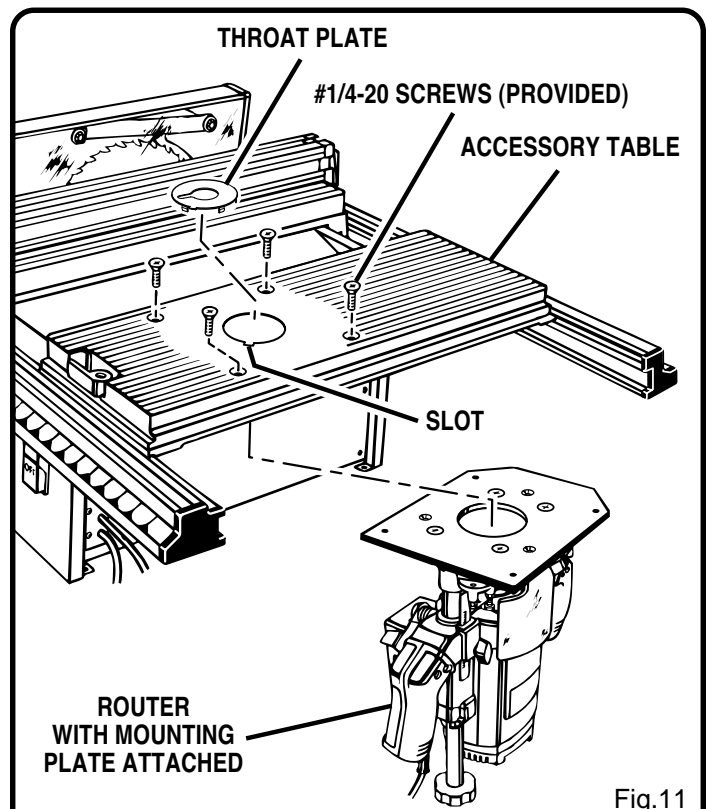


Fig.11

## TABLE CLAMPING BRACKET SHOWN COMPLETELY ASSEMBLED

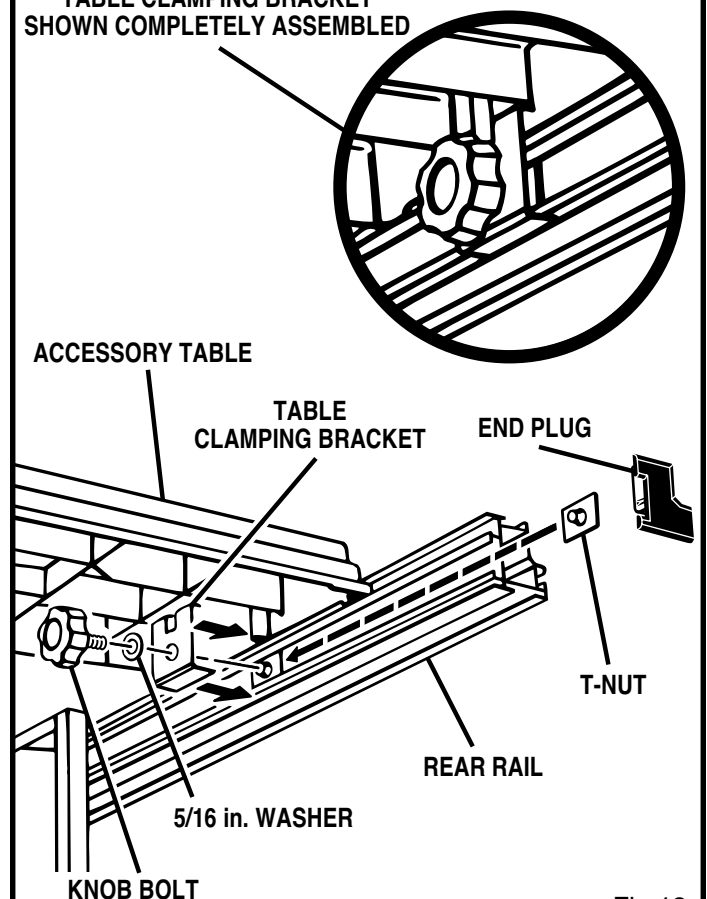


Fig.12

# ROUTER MOUNTING

## FINAL ASSEMBLY:

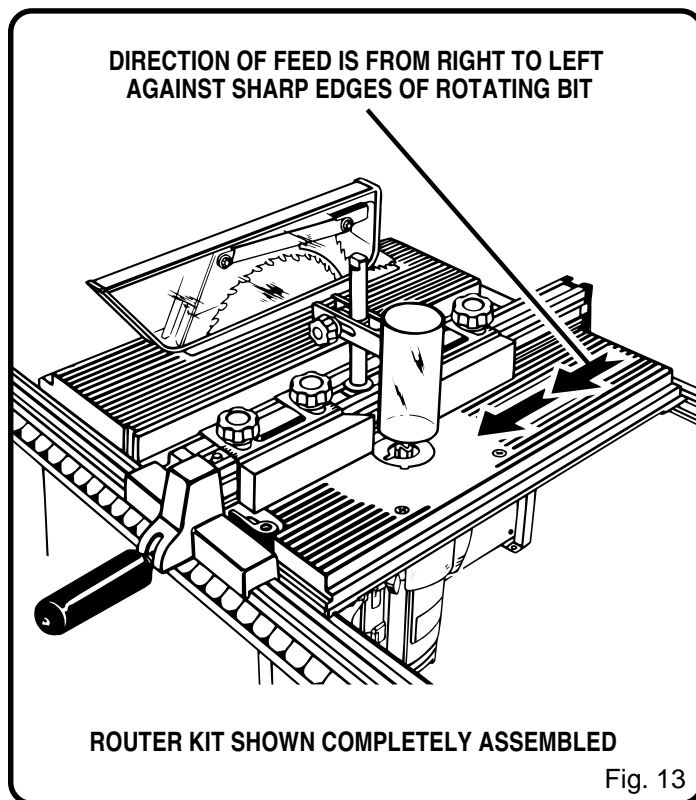
After the router mounting parts have been assembled, your setup should be similar to *Figure 13*.

- Compare your setup and make any necessary adjustments.
- Recheck all knob bolts, attachments, etc., and **securely tighten if necessary**.

## FINAL PREPARATION FOR OPERATION

See *Figure 13*.

- Adjust dust cover so that it will not come in contact with workpiece during a cutting operation.
- Direction of feed of workpiece is from right to left or from the back of the saw toward the front with the bit located in the fence opening. See *Figure 13*.
- Direction of feed of workpiece is from right to left as shown by the arrows in figure 13.
- The workpiece must always be tight against the guide fence, unless a ball bearing piloted bit is being used. The infeed fence should be adjusted to support the uncut workpiece while the outfeed fence should be adjusted to properly support the workpiece after the cut passes the router bit, compensating for the removed stock.



### **WARNING:**

The direction of feed for the workpiece is always against the sharp edges of the bit and into the rotation of the cutter. Failure to heed this warning can result in serious personal injury.

### **WARNING:**

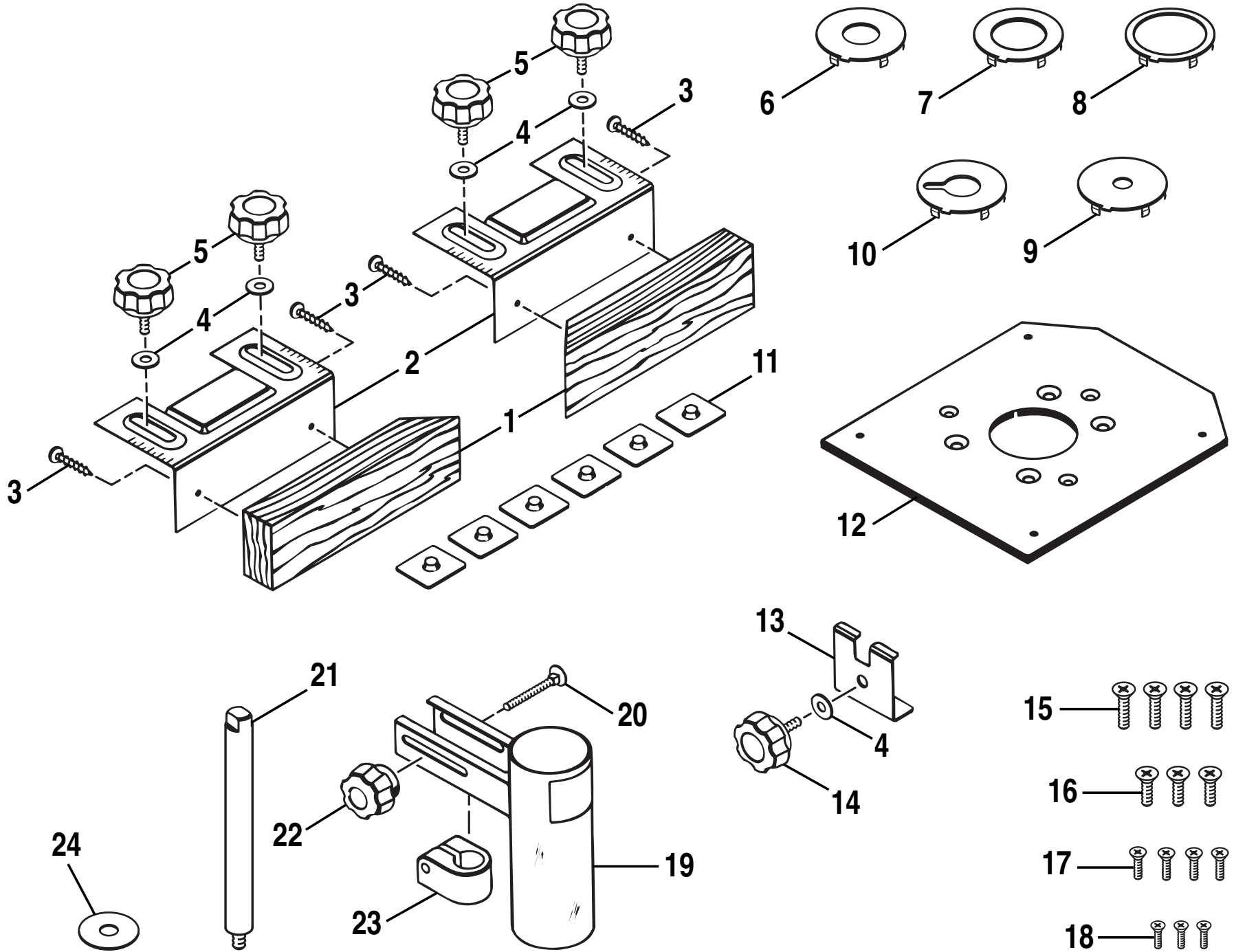
Do not use the guide fence with ball-bearing piloted bits. Failure to heed this warning can result in serious personal injury.

### **WARNING:**

The guard/dust cover must be used in all routing operations. Do not attempt freehand use on workpieces larger than 6 in. (15 cm) in diameter.



# #4950300 ROUTER MOUNTING KIT



## REPLACEMENT PARTS

Now that you have purchased your **Router Mounting Kit**, should a need ever exist for repair parts or service, simply contact your nearest **Ryobi Authorized Service Center**. Be sure to provide all pertinent facts when you call or visit.

### PARTS LIST

KEY NO	PART NUMBER	DESCRIPTION	QUANTITY
1	969966-001	Guide Block .....	2
2	969965-002	Guide Fence .....	2
3	969969-001	Wood Screw (#10 x 5/8 in. round head) .....	4
4	906382-361	5/16 in. Washer .....	5
5	661815-001	Knob Bolt (#5/16-18 x 1/2 in.) .....	4
6	975424-003	Throat Plate (1 in.) .....	1
7	975424-004	Throat Plate (1-1/2 in.) .....	1
8	975424-005	Throat Plate (2 in.) .....	1
9	975424-002	Throat Plate (1/2 in.) .....	1
10	975424-006	Throat Plate (1-1/8 in.) .....	1
11	969251-001	5/16 in. T-Nut (Special) .....	6
12	661710-001	Table Clamping Bracket .....	1
13	969961-003	Router Mounting Plate .....	1
14	661815-002	Knob Bolt (#5/16-18 x 3/4 in.) .....	1
15	982537-001	Screw (M8 x 24mm flat head) .....	4
16	973605-001	Screw (#5/16-18 x 3/4 in. flat head) .....	3
17	622183-053	Screw (#1/4-20 x 1/2 in. flat head) .....	4
18	614661-001	Screw (#10-32 x 1/2 in. flat head) .....	3
19	969971-001	Guard/Dust Cover with Decal .....	1
20	621433-017	Carriage Bolt (#1/4-20 x 1-9/16 in.) .....	1
21	969967-002	Post .....	1
22	661816-001	Knob Nut (#1/4-20 x 1-3/4 in. diameter) .....	1
23	969972-001	Dust Cover Pivot .....	1
24	969968-002	Spacer .....	1
	612547-852	Operator's Manual	



**OPERATOR'S MANUAL**  
**#4950300 ROUTER MOUNTING KIT**  
**(FOR USE WITH THE BT3000 TABLE SAW)**

**RYOBI TECHNOLOGIES INC.**

1428 Pearman Dairy Road Anderson SC 29625  
Post Office Box 1207 Anderson SC 29622-1207  
Phone 1-800-525-2579  
[www.ryobitools.com](http://www.ryobitools.com)