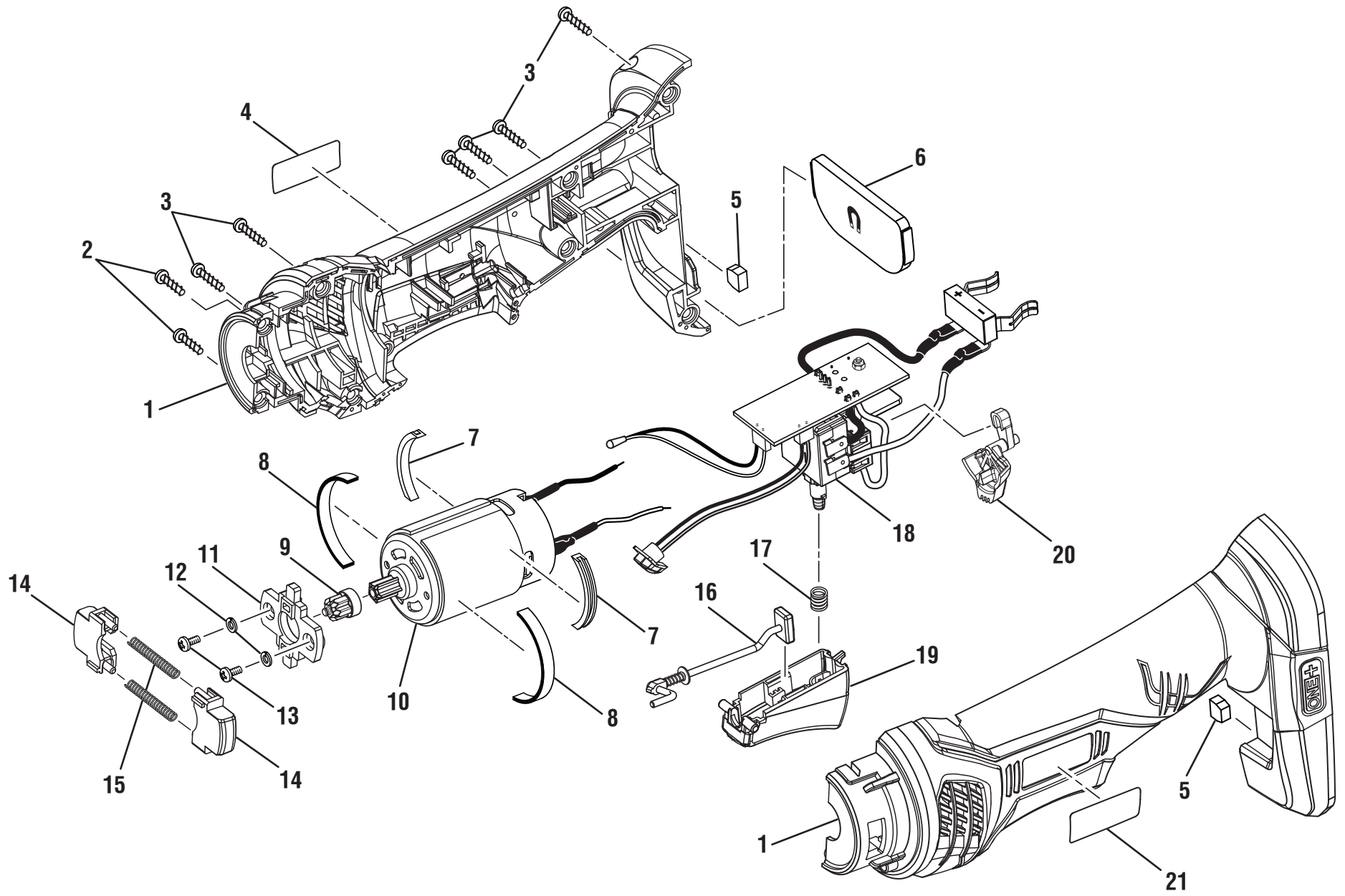


**RYOBI
P246 18 VOLT
JOBPLUS™ POWER HANDLE
REPAIR SHEET**

RYOBI 18 VOLT POWER HANDLE- MODEL NUMBER P246



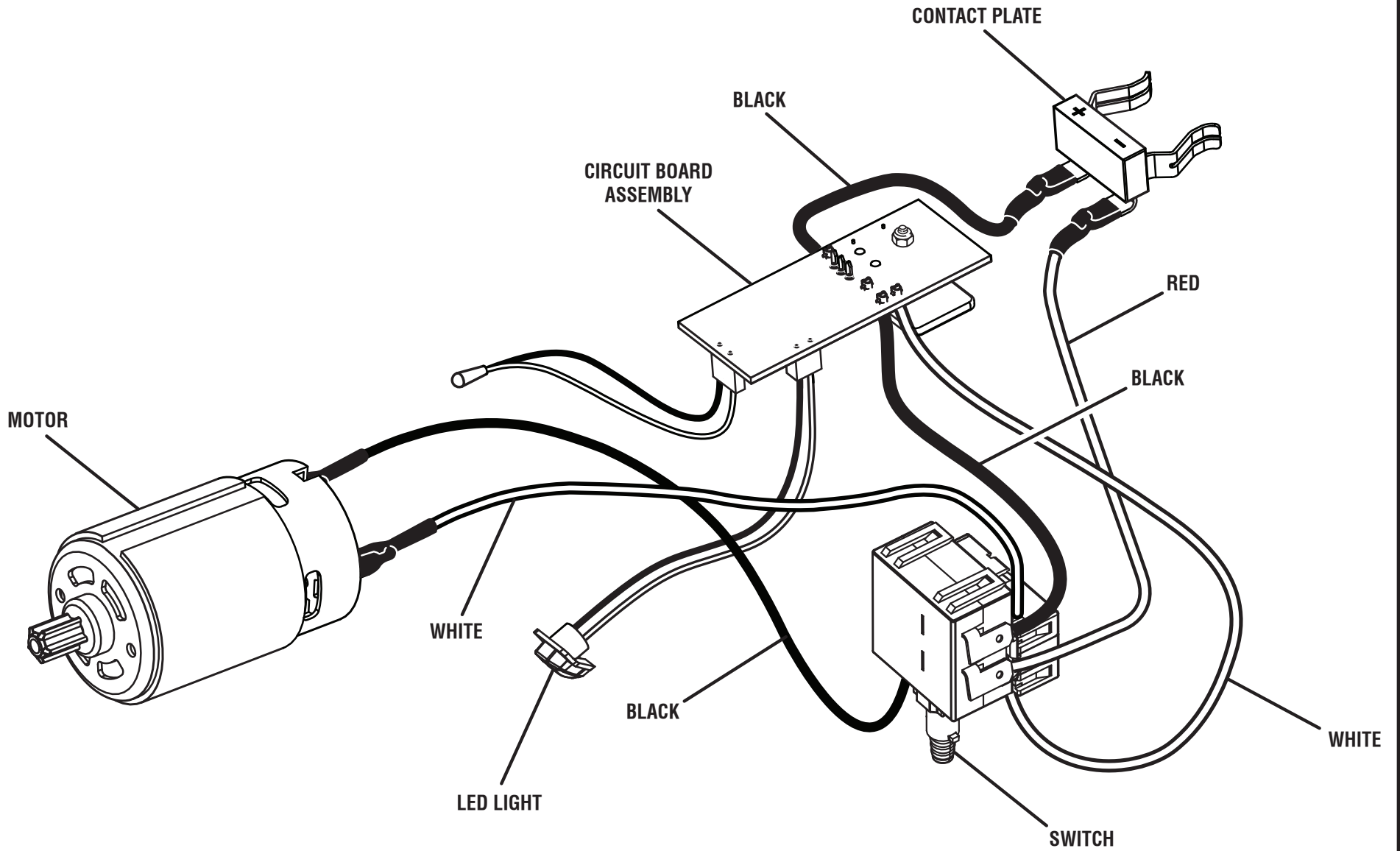
RYOBI 18 VOLT POWER HANDLE- MODEL NUMBER P246

The model number will be found on a label attached to the motor housing. Always mention the model number in all correspondence regarding your **POWER HANDLE** or when ordering repair parts.

PARTS LIST

Key No.	Part Number	Description	Qty	Key No.	Part Number	Description	Qty
1	201469016	Handle Housing Assembly.....	1	14	520483001	Release Button	2
2	660815002	Screw (M3.5 x 13.5 mm, T10 Torx).....	2	15	692526001	Compression Spring.....	2
3	660031011	Screw (M3.5 x 16 mm, T10 Torx).....	6	16	304676001	Switch Trigger Stop Assembly	1
4	940488315	Data Label.....	1	17	692450001	Compression Spring.....	1
5	562801001	Rubber Plug.....	2	18	270015228	Switch w/Circuit Board Assembly	1
6	303001045	Magnet Assembly	1	19	523631001	Switch Trigger.....	1
7	562822001	Motor Cushion (B).....	2	20	523630001	Forward/Reverse Button.....	1
8	562821002	Motor Cushion (A).....	2	21	940114191	Logo Label.....	1
9	562408002	Gear Cap	1	Not Shown:			
10	230381001	Motor Assembly.....	1	988000580	Operator's Manual	1	
11	520485001	Motor Mount.....	1	8-1-11			
12	670028003	Spring Washer (OD5.7 x ID3.1 x .8t).....	2	(REV:02)			
13	660211006	Screw (M3 x 6 mm, Pan Hd.).....	2				

RYOBI 18 VOLT POWER HANDLE- MODEL NUMBER P246



WIRING DIAGRAM