

OPERATOR'S MANUAL

MANUEL D'UTILISATION

MANUAL DEL OPERADOR

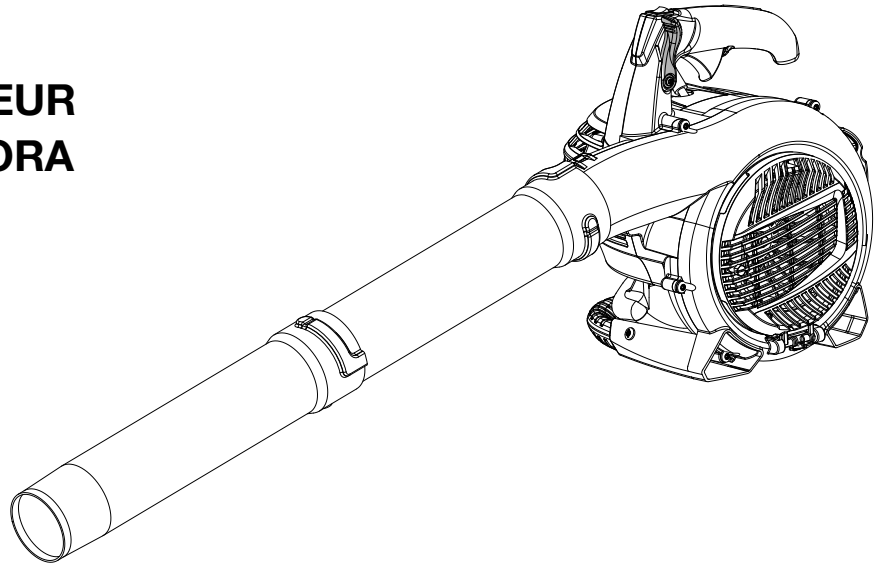
BLOWER / VACUUM

SOUFFLANTE / ASPIRATEUR

SOPLADORA / ASPIRADORA

RY09053

ALL VERSIONS
TOUTES LES VERSIONS
TODAS LAS VERSIONES



Your blower/vacuum has been engineered and manufactured to our high standard for dependability, ease of operation, and operator safety. When properly cared for, it will give you years of rugged, trouble-free performance.

⚠ WARNING: To reduce the risk of injury, the user must read and understand the operator's manual before using this product. If you do not understand the warnings and instructions in the operator's manual, do not use this product.

SAVE THIS MANUAL FOR FUTURE REFERENCE

Cette soufflante / aspirateur a été conçue et fabriquée conformément à nos strictes normes de fiabilité, simplicité d'emploi et sécurité d'utilisation. Correctement entretenue, elle vous donnera des années de fonctionnement robuste et sans problème.

⚠ AVERTISSEMENT : Pour réduire les risques de blessures, l'utilisateur doit lire et veiller à bien comprendre le manuel d'utilisation avant d'employer ce produit. Si tous les avertissements et toutes les consignes de sécurité et instructions du manuel d'utilisation ne sont pas bien compris, ne pas utiliser ce produit.

Su sopladora / aspiradora ha sido diseñada y fabricada de conformidad con las estrictas normas para brindar fiabilidad, facilidad de uso y seguridad para el operador. Con el debido cuidado, le brindará muchos años de sólido y eficiente funcionamiento.

⚠ ADVERTENCIA: Para reducir el riesgo de lesiones, el usuario debe leer y comprender el manual del operador antes de usar este producto. Guarde este manual del operador y estúdielo frecuentemente para lograr un funcionamiento seguro y continuo de este producto

**CONSERVER CE MANUEL POUR
FUTURE RÉFÉRENCE**

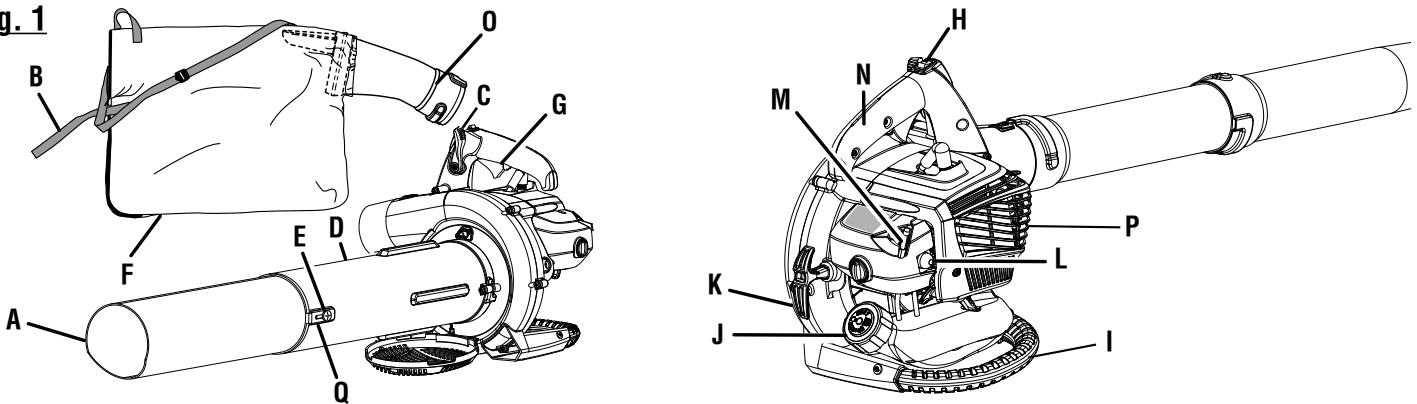
**GUARDE ESTE MANUAL PARA
FUTURAS CONSULTAS**

See this fold-out section for all the figures referenced in the operator's manual.

Voir que cette section d'encart pour toutes les figures a adressé dans le manuel d'utilisation.

Veá esta sección de la página desplegable para todas las figuras mencionó en el manual del operador.

Fig. 1



- A - Lower vacuum tube (tube d'aspiration inférieur, tubo inferior de la aspiradora)
- B - Shoulder strap (bandoulière, correa para el hombro)
- C - Cruise control / throttle lock (régulateur de vitesse / verrouillage d'accélération, control de crucero / seguro del acelerador)
- D - Upper vacuum tube (tube d'aspiration supérieur, tubo superior de la aspiradora)
- E - Vacuum tube screw (vis de tube d'aspiration, tornillos de los tubos de la aspiradora)
- F - Vacuum bag (sac à déchets, saco de la aspiradora)

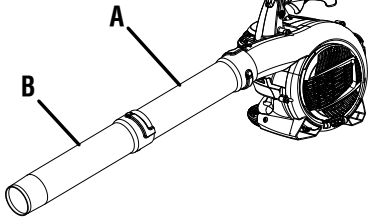
- G - Throttle trigger (gâchette d'accélérateur, gatillo del acelerador)
- H - Stop switch (commutateur d'arrêt, interruptor del apagado)
- I - Vacuum handle (poignée d'aspirateur, mango de la aspiradora)
- J - Fuel cap (bouchon du réservoir, tapa del tanque de combustible)
- K - Starter grip and rope (poignée du lanceur, mango del arrancador)
- L - Primer bulb (poire d'amorçage, bomba de cebado)
- M - Choke lever (levier de volet de départ, palanca del anegador)
- N - Upper handle (poignée supérieure, mango superior)
- O - Vacuum bag adaptor (adaptateur de sac, adaptador del saco)
- P - Muffler (silencieux, silenciador)
- Q - Raised slot (fente en saillie, ranura realizada)

Fig. 1a



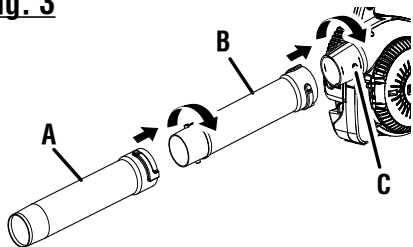
- A - Flathead screwdriver (tournevis à lame plate, destornillador de punta plana)

Fig. 2



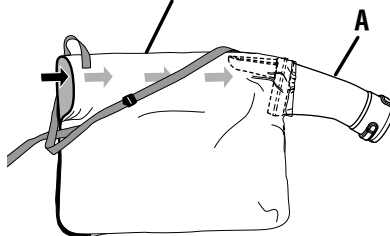
- A - Upper blower tube (tube de soufflante supérieur, tubo superior de la sopladora)
- B - Sweeper nozzle (embout éventail, boquilla para barrer)

Fig. 3



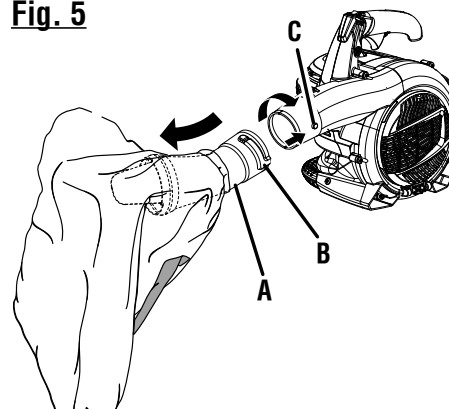
- A - Sweeper nozzle (embout éventail, boquilla para barrer)
- B - Upper blower tube (tube de soufflante supérieur, tubo superior de la sopladora)
- C - Blower housing outlet (sortie du logement de la soufflante, salida del armazón de la sopladora)

Fig. 4



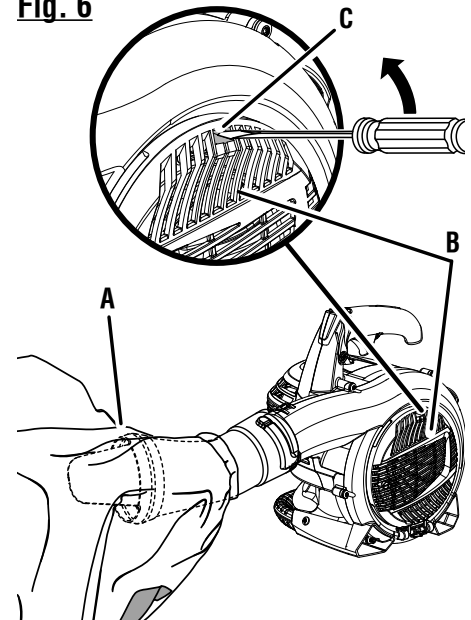
- A - Vacuum bag adaptor (adaptateur de sac à déchets, adaptador del saco de la aspiradora)
- B - Vacuum bag (sac à déchets, saco de la aspiradora)

Fig. 5



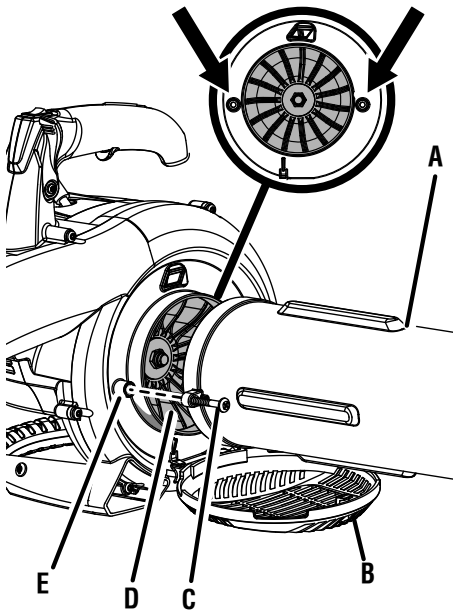
- A - Adaptor installed in vacuum bag (adaptateur installé dans le sac à déchets, adaptador instalado en el saco de la aspiradora)
- B - Raised slot (fente en saillie, ranura realizada)
- C - Raised locking tab (languette de verrouillage en saillie, orejeta realizada de aseguramiento)

Fig. 6



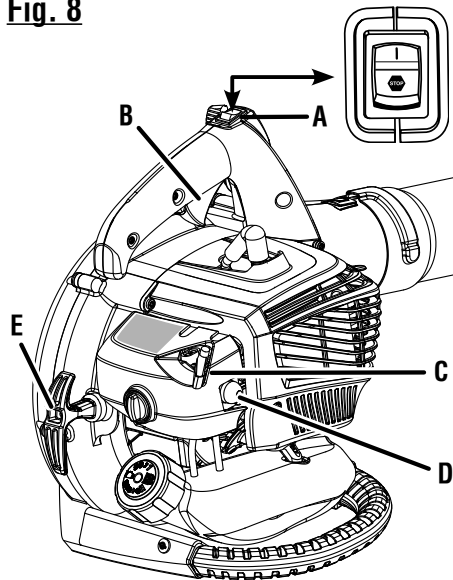
- A - Vacuum bag assembly (ensemble de sac à déchets, conjunto del saco de la aspiradora)
- B - Vacuum inlet door (volet d'entrée d'air, puerta de la entrada de la aspiradora)
- C - Door tab (languette du volet, orejeta de la puerta)

Fig. 7



- A - Vacuum tube assembly (ensemble de tubes d'aspiradora, conjunto de los tubos de la aspiradora)
- B - Vacuum inlet door (volet d'entrée d'air, puerta de la entrada de la aspiradora)
- C - Screw (vis, tornillo)
- D - Vacuum opening (ouverture d'aspiración, abertura de aspiración)
- E - Screw mount (trous de vis, agujeros de tornillos)

Fig. 8



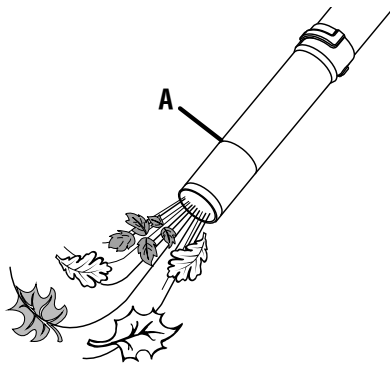
- A - Stop switch (commutateur d'arrêt, interruptor del apagado)
- B - Throttle trigger (gâchette d'accélérateur, gatillo del acelerador)
- C - Cruise control / throttle lock (régulateur de vitesse / verrouillage d'accélération, control de cruceiro / seguro del acelerador)
- D - Primer bulb (poire d'amorçage, bomba de cebado)
- E - Starter grip with rope (poignée du lanceur, mango del arrancador)

Fig. 9

PROPER BLOWER OPERATING POSITION
POSITION D'UTILISATION ADÉQUATE DE LA SOUFFLANTE
POSICIÓN DE FUNCIONAMIENTO CORRECTA DE LA SOPLADORA

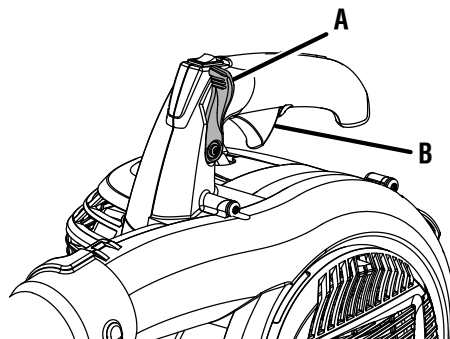


Fig. 10



- A - Sweeper nozzle (embout éventail, boquilla para barrer)

Fig. 11



- A - Cruise control lever (régulateur de vitesse, control de cruceiro)
- B - Throttle trigger (gâchette d'accélérateur, gatillo del acelerador)

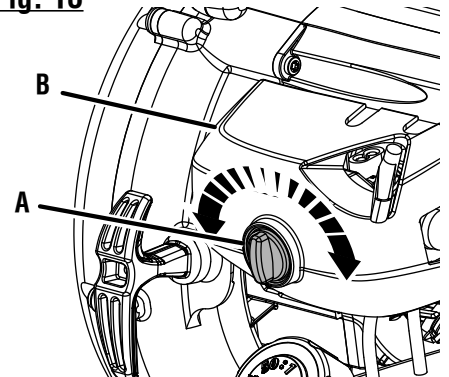
Fig. 12

PROPER VACUUM OPERATING POSITION
POSITION D'UTILISATION ADÉQUATE DE L'ASPIRATEUR
POSICIÓN DE FUNCIONAMIENTO CORRECTA DE LA ASPIRADORA



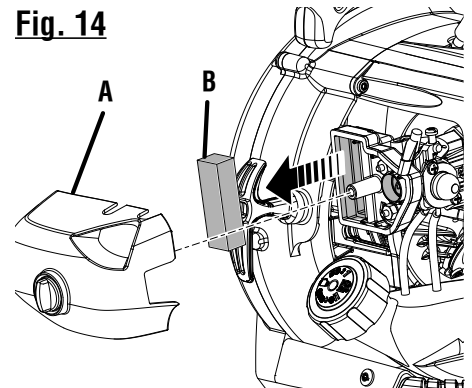
Keep muffler away from the body (garder les mains à l'écart des silencieux, mantenga las manos alejadas de las silenciador)

Fig. 13



- A - Turn the dial to open and close (tourner le cadran pour ouvrir et fermeture, gire el selector para abrirla y cerrar)
- B - Air filter cover (couvercle du filtre à air, tapa de la cámara de ventilación)

Fig. 14



- A - Air filter cover (couvercle du filtre à air, tapa de la cámara de ventilación)
- B - Air filter (filtre à air, filtro de aire)

TABLE OF CONTENTS

TABLE DES MATIÈRES / ÍNDICE DE CONTENIDO

■ Introduction	2
Introduction / Introducción	
■ General Safety Rules	3
Règles de sécurité générales / Reglas de seguridad generales	
■ Specific Safety Rules.....	4
Règles de sécurité particulières / Reglas de seguridad específicas	
■ Symbols.....	5
Symboles / Símbolos	
■ Features.....	6
Caractéristiques / Características	
■ Tools Needed.....	6
Outils nécessaires / Herramientas necesarias	
■ Assembly	6-7
Assemblage / Armado	
■ Operation.....	8-10
Utilisation / Funcionamiento	
■ Maintenance	10-11
Entretien / Mantenimiento	
■ Troubleshooting	11
Dépannage / Solución de problemas	
■ Warranty	12-14
Garantie / Garantía	
■ Parts Ordering and Service	Back Page
Commande de pièces et réparation / Pedidos de piezas y servicio	Page arrière / Pág. posterior

INTRODUCTION

INTRODUCTION / INTRODUCCIÓN

This product has many features for making its use more pleasant and enjoyable. Safety, performance, and dependability have been given top priority in the design of this product making it easy to maintain and operate.

* * *

Ce produit offre de nombreuses fonctions destinées à rendre son utilisation plus plaisante et satisfaisante. Lors de la conception de ce produit, l'accent a été mis sur la sécurité, les performances et la fiabilité, afin d'en faire un outil facile à utiliser et à entretenir.

* * *

Este producto ofrece numerosas características para hacer más agradable y placentero su uso. En el diseño de este producto se ha conferido prioridad a la seguridad, el desempeño y la fiabilidad, por lo cual se facilita su manejo y mantenimiento.

GENERAL SAFETY RULES

WARNING:

READ AND UNDERSTAND ALL INSTRUCTIONS. Failure to follow all instructions listed below may result in electric shock, fire and/or serious personal injury.

READ ALL INSTRUCTIONS

- Do not allow children or untrained individuals to use this unit.
- Never start or run the engine inside a closed area; breathing exhaust fumes can kill.
- Always wear eye protection with side shields marked to comply with ANSI Z87.1 along with hearing protection. Failure to do so could result in objects being thrown into your eyes and other possible serious injuries.
- Keep all bystanders, children, and pets at least 50 ft. away.
- Wear heavy long pants, long sleeves, boots, and gloves. Do not wear loose fitting clothing, short pants, sandals, jewelry of any kind, or go barefoot.
- To reduce the risk of injury associated with objects being drawn into rotating parts, do not wear loose clothing, scarves, neck chains, and the like.
- Secure long hair so it is above shoulder level to prevent entanglement in any rotating parts.
- Do not operate this unit when you are tired, ill, or under the influence of alcohol, drugs, or medication.
- Do not operate in poor lighting.
- Keep all parts of your body away from any moving parts and all hot surfaces of the unit.
- Wear a face filter mask in dusty conditions to reduce the risk of injury associated with the inhalation of dust.
- Check the work area before each use. Remove all objects such as rocks, broken glass, nails, wire, or string which can be thrown or become entangled in the machine.
- Keep firm footing and balance. Do not overreach. Overreaching can result in loss of balance or exposure to hot surfaces.
- Never operate the unit without a spark arrestor screen; this screen is located inside the muffler.
- Product users on United States Forest Service land, and in some states, must comply with fire prevention regulations. This product is equipped with a spark arrestor; however, other user requirements may apply. Check with the federal, state, or local authorities in your area.
- Before storing, allow the engine to cool.
- Empty fuel tank into a container approved for gasoline and restrain the unit from moving before transporting in a vehicle.
- To reduce the risk of fire and burn injury, handle fuel with care. It is highly flammable.
- Do not smoke while handling fuel.
- Mix and store fuel in a container approved for gasoline.
- Mix fuel outdoors where there are no sparks or flames.
- Select bare ground, stop engine, and allow to cool before refueling.
- Loosen fuel cap slowly to release pressure and to keep fuel from escaping around the cap.
- Tighten the fuel cap securely after refueling.
- Wipe spilled fuel from the unit. Move 30 ft. away from refueling site before starting engine.
- Never attempt to burn off spilled fuel under any circumstances.
- Use only identical manufacturer's replacement parts and accessories. Use of any other parts may create a hazard or cause product damage.
- Maintain the unit per maintenance instructions in this Operator's Manual.
- Inspect the unit before each use for loose fasteners, fuel leaks, etc. Replace damaged parts.
- Do not use on a ladder, rooftop, tree, or other unstable support. Stable footing on a solid surface enables better control of the blower in unexpected situations.
- Before cleaning, repairing, or inspecting, shut off the engine and make certain all moving parts have stopped. Disconnect the spark plug wire, and keep the wire away from the plug to prevent starting.
- Service on the blower/vacuum must be performed by qualified repair personnel only. Service or maintenance performed by unqualified personnel could result in injury to the user or damage to the product.

SPECIFIC SAFETY RULES




- Always hold the blower/vacuum in your right hand during blower operation. Refer to the **OPERATION** instructions later in this manual for proper position during vacuum operation and additional information.
- Never place objects inside the blower tubes.
- Use only as directed in this operator's manual.
- Do not operate vacuum without vacuum bag installed; flying debris could cause serious injury. Always close vacuum bag completely before operating.
- Rotating impeller blades can cause severe injury. Stop the engine and ensure impeller blades have stopped rotating before opening the vacuum door or installing/ changing tubes. Do not put hands or any other object into the vacuum tubes while they are installed on the unit.
- Never run the unit without the proper equipment attached. When used as a blower, always install the blower tubes. When used as a vacuum, always install the vacuum tubes and vacuum bag. Make sure the vacuum bag is completely zipped when the unit is running to avoid flying debris.
- Avoid situations that could catch the vacuum bag on fire. Do not operate near an open flame. Do not vacuum warm ash from fireplaces, barbecue pits, brush piles, etc. Do not vacuum discarded cigars or cigarettes unless the cinders are completely cool.
- Never place blower on any surface, except a hard, clean surface when engine is running. Gravel, sand, and other debris can be picked up by the air inlet and thrown at the operator or bystanders, causing possible serious injuries.
- To reduce the risk of hearing loss associated with sound level(s), hearing protection is required.
- To reduce the risk of injury associated with contacting rotating parts, stop the engine before installing or removing attachments. Always disconnect the spark plug before performing maintenance or accessing any movable parts.
- Never use blower near fires, fireplaces, hot ashes, barbecue pits, etc., which may cause fire to spread.
- Do not point the blower nozzle in the direction of people or pets.
- Never run the unit without the proper equipment attached. Always ensure the blower tubes are installed.

FUELING









- Fuel is highly flammable. Take precautions when using to reduce the chance of serious personal injury.
- Store fuel in a cool, well-ventilated area, safely away from spark and/or flame-producing equipment.
- Store fuel in containers specifically designed for this purpose.
- Only refuel outdoors and do not smoke while refueling.
- Add fuel before starting the engine. Never remove the cap of the fuel tank or add fuel while the engine is running or when the engine is hot.
- Do not smoke while handling fuel.
- Mix and store fuel in a container approved for gasoline.
- Mix fuel outdoors where there are no sparks or flames.
- Loosen fuel cap slowly to release pressure and to keep fuel from escaping around the cap.
- Tighten the fuel cap securely after refueling.
- Wipe spilled fuel from the unit. Move 30 feet away from refueling site before starting engine.
- Never attempt to burn off spilled fuel under any circumstances.
- To reduce the risk of fire and burn injury, handle fuel with care. It is highly flammable.
- If fuel is spilled, do not attempt to start the engine but move the machine away from the area of spillage and avoid creating any source of ignition until fuel vapors have dissipated.
- Replace all fuel tank and container caps securely.
- Empty fuel tank into a container approved for gasoline and restrain the unit from moving before transporting in a vehicle.
- When draining the fuel tank, use an approved fuel storage container in a well-ventilated area.
- Select bare ground, stop engine, and allow to cool before refueling.
- Save these instructions. Refer to them frequently and use them to instruct others who may use this tool. If you loan someone this tool, loan them these instructions also.

SYMBOLS

The following signal words and meanings are intended to explain the levels of risk associated with this product.

SYMBOL	SIGNAL	MEANING
	DANGER:	Indicates an imminently hazardous situation, which, if not avoided, will result in death or serious injury.
	WARNING:	Indicates a potentially hazardous situation, which, if not avoided, could result in death or serious injury.
	CAUTION:	Indicates a potentially hazardous situation, which, if not avoided, may result in minor or moderate injury.
	CAUTION:	(Without Safety Alert Symbol) Indicates a situation that may result in property damage.

Some of the following symbols may be used on this product. Please study them and learn their meaning. Proper interpretation of these symbols will allow you to operate the product better and safer.

SYMBOL	NAME	EXPLANATION
	Safety Alert Symbol	Indicates a potential personal injury hazard.
	Read Operator's Manual	To reduce the risk of injury, user must read and understand operator's manual before using this product.
	Wear Eye and Hearing Protection	Always wear eye protection with side shields marked to comply with ANSI Z87.1 as well as hearing protection when operating this equipment.
	Vacuum Door	Do not run unit while vacuum door is unsecured.
	Long Hair	Risk of long hair being drawn into air inlet.
	Blower Tubes	Do not run unit without tubes in place.
	Loose Clothing	Risk of loose clothing being drawn into air intake.
	Gasoline and Lubricant	Use unleaded gasoline intended for motor vehicle use with an octane rating of 87 [(R + M) / 2] or higher. This product is powered by a 2-cycle engine and requires pre-mixing gasoline and 2-cycle lubricant.

FEATURES

PRODUCT SPECIFICATIONS

Engine Displacement.....	26cc
Air Velocity:	
*MPH.....	150
*CFM.....	400
Weight	9.5 lbs.

**Rated per ANSI B175.2*

KNOW YOUR BLOWER/VACUUM

See Figure 1.

The safe use of this product requires an understanding of the information on the tool and in this operator's manual as well as a knowledge of the project you are attempting. Before use of this product, familiarize yourself with all operating features and safety rules.

BLOWER TUBE AND NOZZLES

The blower tube can be assembled and installed on the blower without using any tools.

THROTTLE/CRUISE CONTROL LEVER

The throttle/cruise control lever feature allows the user to operate the blower without holding the throttle trigger. To slow the engine, simply push the throttle/cruise control lever forward.

ENGINE

The blower has a powerful 26cc engine with sufficient power to handle tough blowing and vacuuming jobs.

SWEEPER NOZZLE

The sweeper nozzle allows for more area to be covered during blower operation.

THROTTLE TRIGGER

The blower can be operated at any speed between idle and full throttle.

VACUUM / MULCHER

Converting the blower to a vacuum/mulcher is simple and can be done using a flat head screwdriver.

VACUUM BAG

The vacuum bag attaches to the blower easily by using the vacuum bag adaptor.

VACUUM HANDLE

This feature allows user to perform vacuuming duties comfortably.

VACUUM TUBES

The vacuum tubes can be installed on the blower using a flat head screw driver.

TOOLS NEEDED

The following tool (not included or drawn to scale) is needed for assembly:

See Figure 1a.

- Flathead Screwdriver

ASSEMBLY

UNPACKING

This product requires assembly.

- Carefully remove the product and any accessories from the box. Make sure that all items listed in the packing list are included.



WARNING:

Do not use this product if any parts on the Packing List are already assembled to your product when you unpack it. Parts on this list are not assembled to the product by the manufacturer and require customer installation. Use of a product that may have been improperly assembled could result in serious personal injury.

ASSEMBLY

- Inspect the product carefully to make sure no breakage or damage occurred during shipping.
- Do not discard the packing material until you have carefully inspected and satisfactorily operated the product.
- If any parts are damaged or missing, please call 1-800-860-4050 for assistance.

PACKING LIST

Blower

Upper Blower Tube

Sweeper Nozzle

Upper and Lower Vacuum Tubes

Vacuum Tube Screws (2)

Vacuum Bag

Vacuum Bag Adaptor

2-Cycle Engine Lubricant

Operator's Manual

NOTE: Read and remove all hang tags and store with your Operator's Manual.

WARNING:

If any parts are damaged or missing do not operate this product until the parts are replaced. Use of the product with damaged or missing parts could result in possible serious personal injury.

WARNING:

Do not attempt to modify this product or create accessories not recommended for use with this product. Any such alteration or modification is misuse and could result in a hazardous condition leading to possible serious personal injury.

WARNING:

To prevent accidental starting that could cause serious personal injury, always disconnect the engine spark plug wire from the spark plug when assembling parts.

ASSEMBLING THE BLOWER TUBES

See Figures 2 - 3.

- Align raised tabs on blower housing outlet to the slots on upper tube; slide together and tighten securely by twisting. Check tightness after initial use and retighten if needed.
- Attach sweeper nozzle to upper blower tube by aligning raised tabs on upper blower tube; slide together and tighten securely by twisting. Check tightness after initial use and retighten if needed.
- To remove the tubes, rotate the tubes to unlock them and remove from the blower housing outlet.

INSTALLING THE VACUUM BAG

See Figures 4 - 5.

- Remove the nozzle and upper blower tube from the blower by twisting and removing from blower housing outlet.
- Unzip the vacuum bag and place the vacuum bag adaptor inside as shown. Push the vacuum bag adaptor through the opening opposite the zipper. The wider end of the adaptor will remain on the inside of the vacuum bag when installed properly.
- Align the raised slots on the vacuum bag adaptor with the raised locking tabs on the blower housing outlet; push the vacuum bag adaptor onto the housing. Twist to lock into place.
- Rotate the vacuum bag until the shoulder strap is upright.
- Make sure the vacuum bag is zipped and closed before starting the unit.

INSTALLING THE VACUUM TUBES

See Figures 6 - 7.

WARNING:

Contact with rotating impeller blades could result in serious personal injury. Always stop the engine and ensure impeller blades have stopped rotating before opening the vacuum door or installing/changing tubes. Do not put hands or any other object into the vacuum tubes while they are installed on the unit.

To install the vacuum tubes:

- Secure the upper and lower vacuum tubes together by aligning the raised locking tabs with the raised slots.
- Tap tube assembly on ground until the screw holes in lower tube are in the raised slot of the upper tube. Secure with supplied screws.
- Depress door tab using a flathead screwdriver and open vacuum inlet door.
- Align screw mounts on vacuum opening with screws on vacuum tube assembly.
- Turning clockwise, tighten screws on upper vacuum tube to secure to blower housing.

To remove the vacuum tubes:

- Loosen screws of the upper vacuum tube by turning counterclockwise.
- Remove the vacuum tube assembly from the blower housing.
- Close the vacuum inlet cover door securely.

OPERATION

WARNING:

Do not allow familiarity with this product to make you careless. Remember that a careless fraction of a second is sufficient to inflict serious injury.

WARNING:

Always wear eye protection with side shields marked to comply with ANSI Z87.1, along with hearing protection. Failure to do so could result in objects being thrown into your eyes and other possible serious injuries.

APPLICATIONS

You may use this product for the purposes listed below:

- Clearing leaves and other debris from your lawn
- Keeping decks and driveways free from leaves and other forms of debris
- Vacuuming leaves from your lawn

MIXING THE FUEL

This product is powered by a 2-cycle engine and requires premixing gasoline and 2-cycle oil. The mixture should be at a 50:1 ratio.

NOTE: We recommend you use ONLY Ryobi (exact mix) your product.

To mix the fuel:

- Use a clean container that is approved for use with gasoline.
- Mix the 2-cycle engine oil with unleaded gasoline in the container, according to the instructions on the oil package.

This engine is certified to operate on unleaded gasoline intended for automotive use with an octane rating of 87 [(R + M) / 2] or higher. Do not use automotive oil or 2-cycle outboard oil.

NOTE: Most fuel mixture will stay fresh up to 30 days. DO NOT mix quantities larger than usable in a 30 day period.

2-CYCLE FUEL / OIL MIX (50:1)



GASOLINE	OIL
1 gallon (US)	2.6 oz.
1 liter	20 cc (20 ml)

FILLING THE TANK

- Clean the surface around the fuel cap to prevent contamination.
- Loosen the fuel cap slowly by turning counterclockwise.
- Pour the fuel mixture carefully into the tank.

- Clean and inspect the fuel cap gasket before replacing the fuel cap.
- Replace the fuel cap and tighten it by turning it clockwise.
- Wipe spilled fuel from the product.
- Move at least 30 ft. away from refueling area before starting the product.

NOTE: It is normal for smoke to be emitted from a new engine during first use.

WARNING:

Always shut off engine before fueling. Never add fuel to a machine with a running or hot engine. Move at least 30 ft. from refueling site before starting engine. Do not smoke and stay away from open flames and sparks. Failure to safely handle fuel could result in serious personal injury.

OXYGENATED FUELS

DO NOT USE E85 FUEL. IT WILL VOID YOUR WARRANTY.

NOTE: Fuel system damage or performance problems resulting from the use of an oxygenated fuel containing more than the percentages of oxygenates stated previously **are not covered under warranty.**

Ethanol. Gasoline containing up to 10% ethanol by volume (commonly referred to as E10) or 15% ethanol by volume (commonly referred to as E15) are acceptable. **Do not use E85 fuel.**


STARTING AND STOPPING

See Figure 8.

Blower should be on a flat, bare surface for starting.

- Slowly press the primer bulb 10 times.
NOTE: After the 10th press, fuel should be visible in the primer bulb. If it is not, continue to press the primer until you see fuel in the bulb.
- Set the choke lever to the **FULL CHOKE** position.
- Lock throttle/cruise control lever.
- Pull starter grip and rope sharply until engine attempts to run. Do not pull the starter grip more than four (4) times.
- Set the choke lever to the **HALF CHOKE** position.
- Pull the starter grip and rope until the engine runs.
NOTE: If the engine does not start, return to the **FULL CHOKE** position and repeat the steps that follow.
- Allow the engine to run for 15 seconds, then set the choke lever to the **RUN** position.

TO STOP THE ENGINE:

- To stop the engine, depress and hold the STOP switch to the stop position “”.

OPERATION

HOT RESTART OF THE ENGINE:

- Set the choke lever to the **RUN** position.
- Lock throttle/cruise control lever.
- Pull the starter grip and rope until the engine runs.

IF ASSISTANCE IS REQUIRED STARTING THIS PRODUCT:

Do not return this product to the retail store where it was purchased. Please call our Customer Service Department for any issues you may have.

For Help Call: 1-800-860-4050

OPERATING THE BLOWER

See Figures 9 - 10.

WARNING:

Never run the unit without the blower tubes installed or the vacuum door securely closed. Use of an improperly assembled unit could result in serious personal injury.

- Start the blower. Refer to **Starting and Stopping** earlier in this manual. Hold the blower with the upper handle in your right hand.

WARNING:

Always hold the blower away from your body with the handle in your right hand when operating as a blower, keeping clearance between your body and the product. The muffler side of the blower should be away from your body. Any contact with the housing can result in burns and/or other serious personal injury.

WARNING:

Do not place blower on top of or near loose debris or gravel. Debris may be sucked into blower intake vent resulting in possible damage to the unit and could result in serious personal injury.

- To keep from scattering debris, blow around the outer edges of a debris pile. Never blow directly into the center of a pile.
- Operate power equipment at reasonable hours only - not early in the morning or late at night when people might be disturbed. Comply with the times listed in local ordinances.
- To reduce sound levels, limit the number of pieces of equipment used at any one time.
- Conserve water by using power blowers instead of hoses for many lawn and garden applications, including areas such as gutters, screens, patios, grills, porches, and gardens.

- Operate blower at the lowest possible throttle speed to do the job.
- Check your equipment before operation, especially the muffler, air intakes, and air filters.
- Use rakes and brooms to loosen debris before blowing.
- In dusty conditions, slightly dampen surfaces when water is available.
- Watch out for children, pets, open windows, or freshly washed cars, and blow debris safely away.
- Hold blower, as shown in Figure 9, so the air stream can work close to the ground.
- After using blowers or other equipment, **CLEAN UP!** Dispose of debris properly.
- Use the sweeper nozzle for the everyday blowing operation. This nozzle allows for more area to be covered during the blowing operation.

CRUISE CONTROL

See Figure 11.

The cruise control can be used to operate the blower without holding the throttle trigger.

To engage the cruise control:

- Pull cruise control lever back towards user, and stop at the desired throttle setting.
- To release the cruise control, push cruise control lever all the way towards the front of unit.

VACUUM OPERATION

See Figure 12.

WARNING:

Never run the unit without the vacuum tubes and vacuum bag installed. Use of an improperly assembled unit could result in serious personal injury.

WARNING:

Keep the muffler and all hot surfaces of the blower/vacuum away from your body. Failure to do so could result in possible serious personal injury.

- Install the vacuum tubes and the bag. Refer to the **ASSEMBLY** section earlier in this manual.
- Start the blower. Refer to **Starting and Stopping** earlier in this manual.
- Place the vacuum bag strap over your right shoulder. Hold the upper handle in your left hand and the vacuum handle in your right hand.
- Move the blower/vacuum from side to side along outer edge of the debris. To avoid clogging, do not place the vacuum tube directly into the debris pile.

OPERATION

- Hold the engine higher than the inlet end of the vacuum tube.
- Always point vacuum tube downhill when working on a hillside.
- To avoid serious injury to the operator or damage to the unit, do not pick up rocks, metal, broken glass, bottles, or other similar objects.
- If the vacuum tubes should clog, stop the engine, ensure impeller blades have stopped spinning, and disconnect the spark plug wire before cleaning out the obstruction.
- Remove the vacuum tubes and clear the debris from the blower fan housing. Remove the bag and clear the tube. A small rod or stick may be required to clear the entire tube length. Ensure that all debris has been cleared before reassembling the vacuum tubes.

MAINTENANCE

WARNING:

When servicing, use only identical replacement parts. Use of any other parts may create a hazard or cause product damage.

WARNING:

Always wear eye protection with side shields marked to comply with ANSI Z87.1, along with hearing protection. Failure to do so could result in objects being thrown into your eyes and other possible serious injuries.

WARNING:

Before inspecting, cleaning, or servicing the machine, shut off engine, wait for all moving parts to stop, and disconnect spark plug wire and move it away from spark plug. Failure to follow these instructions can result in serious personal injury or property damage.

GENERAL MAINTENANCE

Avoid using solvents when cleaning plastic parts. Most plastics are susceptible to damage from various types of commercial solvents and may be damaged by their use. Use clean cloths to remove dirt, dust, lubricant, grease, etc.

WARNING:

Do not at any time let brake fluids, gasoline, petroleum-based products, penetrating lubricants, etc., come in contact with plastic parts. Chemicals can damage, weaken or destroy plastic which could result in serious personal injury.

You can often make adjustments and repairs described here. For other repairs, have the blower/vacuum serviced by an authorized service dealer.

CLEANING THE AIR FILTER

See Figure 13 - 14.

For proper performance and long life, keep air filter clean.

- Remove the air filter cover by turning the dial counter-clockwise while gently pulling on the cover.
- Rinse filter with clean water.
- Gently squeeze filter until excess water is removed. Replace filter.
- Place the air filter cover back on the unit. Turn dial clockwise until cover is secure.

CLEANING THE EXHAUST PORT, MUFFLER AND SPARK ARRESTOR

NOTE: Depending on the type of fuel used, the type and amount of lubricant used, and/or your operating conditions, the exhaust port, muffler, and/or spark arrestor screen may become blocked with carbon deposits. If you notice a power loss with your gas powered tool, you may need to remove these deposits to restore performance. We highly recommend that only qualified service technicians perform this service.

The spark arrestor must be cleaned or replaced every 50 hours or yearly to ensure proper performance of your product. Spark arrestors may be in different locations depending on the model purchased. Please contact your nearest service dealer for the location of the spark arrestor for your model.

WARNING:

Never run the blower without the spark arrestor in place. Failure to do so could result in a fire that could cause serious personal injury.

MAINTENANCE

VACUUM BAG

A dirty bag will reduce performance. To clean the bag, turn it inside out and shake. Wash the bag in soapy water at least once a year. To obtain a replacement bag, see **How to Order Replacement Parts** on the back page of this manual.

FUEL CAP

WARNING:

Check for fuel leaks. A leaking fuel cap is a fire hazard and must be replaced immediately. If you find any leaks, correct the problem before using the product. Failure to do so could result in a fire that could cause serious personal injury.

The fuel cap contains a non-serviceable filter and a check valve. A clogged fuel filter will cause poor engine

performance. If performance improves when the fuel cap is loosened, check valve may be faulty or filter clogged. Replace fuel cap if required.

SPARK PLUG REPLACEMENT

This engine uses a Ryobi AC00160 or Champion RCJ-6Y spark plug with .025 in. electrode gap. Use an exact replacement and replace annually.

STORING THE PRODUCT

- Clean all foreign material from the product. Store idle unit indoors in a dry, well-ventilated area that is inaccessible to children. Keep away from corrosive agents such as garden chemicals and de-icing salts.
- Abide by all ISO and local regulations for the safe storage and handling of gasoline.

When storing 1 month or longer:

- Drain all fuel from tank into a container approved for gasoline. Run engine until it stops.

TROUBLESHOOTING

IF THESE SOLUTIONS DO NOT SOLVE THE PROBLEM, CONTACT YOUR AUTHORIZED SERVICING DEALER.

PROBLEM	CAUSE	REMEDY
Engine fails to start.	No fuel in tank. Spark plug shorted or fouled. Spark plug is broken. (cracked porcelain or electrodes broken) Ignition lead wire shorted, broken, or disconnected from spark plug. Ignition inoperative.	Fill tank. Replace spark plug. Replace spark plug. Replace lead wire or attach to spark plug. Contact authorized service center.
Engine hard to start.	Water in gasoline or stale fuel mixture. Too much lubricant in fuel mixture. Engine is under or over choked. Weak spark at spark plug.	Drain entire system and refill with fresh fuel. Drain and refill with correct mixture. Adjust choke as necessary. Contact authorized service center.
Engine lacks power.	Air filter clogged.	Clean air filter. Refer to Cleaning the Air Filter Screen earlier in this manual.
Engine overheats.	Insufficient lubricant in fuel mixture.	Mix fuel as described in starting instructions.

WARRANTY

LIMITED WARRANTY STATEMENT

Techtronic Industries North America, Inc., warrants to the original retail purchaser that this RYOBI® brand outdoor product is free from defect in material and workmanship and agrees to repair or replace, at Techtronic Industries North America, Inc.'s, discretion, any defective product free of charge within these time periods from the date of purchase.

- Three years if the product is used for personal, family or household use;
- 90 days, if used for any other purpose, such as commercial or rental.

This warranty extends to the original retail purchaser only and commences on the date of the original retail purchase.

Any part of this product found in the reasonable judgment of Techtronic Industries North America, Inc. to be defective in material or workmanship will be repaired or replaced without charge for parts and labor by an authorized service center for RYOBI® brand outdoor products (Authorized Ryobi Service Center).

The product, including any defective part, must be returned to an authorized Ryobi service center within the warranty period. The expense of delivering the product to the service center for warranty work and the expense of returning it back to the owner after repair or replacement will be paid by the owner. Techtronic Industries North America, Inc.'s, responsibility in respect to claims is limited to making the required repairs or replacements and no claim of breach of warranty shall be cause for cancellation or rescission of the contract of sale of any RYOBI® brand outdoor product. Proof of purchase will be required by the dealer to substantiate any warranty claim. All warranty work must be performed by an authorized service dealer.

This warranty is limited to ninety (90) days from the date of original retail purchase for any RYOBI® brand outdoor product that is used for rental or commercial purposes, or any other income-producing purpose.

This warranty does not cover any product that has been subject to misuse, neglect, negligence, or accident, or that has been operated in any way contrary to the operating instructions as specified in this operator's manual. This warranty does not apply to any damage to the product that is the result of improper maintenance or to any product that has been altered or modified. The warranty does not extend to repairs made necessary by normal wear or by the use of parts or accessories which are either incompatible with the RYOBI® brand outdoor product or adversely affect its operation, performance, or durability. In addition, this warranty does not cover:

- A. Tune-ups – Spark Plugs, Carburetor, Carburetor Adjustments, Ignition, Filters
- B. Wear items – Bump Knobs, Outer Spools, Cutting Lines, Inner Reels, Starter Pulleys, Starter Ropes, Drive Belts, Tines, Felt Washers, Hitch Pins, Mulching Blades, Blower Fans, Blower and Vacuum Tubes, Vacuum Bag and Straps, Guide Bars, Saw Chains

Techtronic Industries North America, Inc., reserves the right to change or improve the design of any RYOBI® brand outdoor product without assuming any obligation to modify any product previously manufactured.

ALL IMPLIED WARRANTIES ARE LIMITED IN DURATION TO THE STATED WARRANTY PERIOD. ACCORDINGLY, ANY SUCH IMPLIED WARRANTIES INCLUDING MERCHANTABILITY, FITNESS FOR A PARTICULAR PURPOSE, OR OTHERWISE, ARE DISCLAIMED IN THEIR ENTIRETY AFTER THE EXPIRATION OF THE APPROPRIATE TWO-YEAR, ONE-YEAR, OR NINETY-DAY WARRANTY PERIOD. TECHTRONIC INDUSTRIES NORTH AMERICA, INC.'S, OBLIGATION UNDER THIS WARRANTY IS STRICTLY AND EXCLUSIVELY LIMITED TO THE REPAIR OR REPLACEMENT OF DEFECTIVE PARTS AND TECHTRONIC INDUSTRIES NORTH AMERICA, INC., DOES NOT ASSUME OR AUTHORIZE ANYONE TO ASSUME FOR THEM ANY OTHER OBLIGATION. SOME STATES DO NOT ALLOW LIMITATIONS ON HOW LONG AN IMPLIED WARRANTY LASTS, SO THE ABOVE LIMITATION MAY NOT APPLY TO YOU. TECHTRONIC INDUSTRIES NORTH AMERICA, INC., ASSUMES NO RESPONSIBILITY FOR INCIDENTAL, CONSEQUENTIAL, OR OTHER DAMAGES INCLUDING, BUT NOT LIMITED TO, EXPENSE OF RETURNING THE PRODUCT TO AN AUTHORIZED RYOBI SERVICE CENTER AND EXPENSE OF DELIVERING IT BACK TO THE OWNER, MECHANIC'S TRAVEL TIME, TELEPHONE OR TELEGRAM CHARGES, RENTAL OF A LIKE PRODUCT DURING THE TIME WARRANTY SERVICE IS BEING PERFORMED, TRAVEL, LOSS OR DAMAGE TO PERSONAL PROPERTY, LOSS OF REVENUE, LOSS OF USE OF THE PRODUCT, LOSS OF TIME, OR INCONVENIENCE. SOME STATES DO NOT ALLOW THE EXCLUSION OR LIMITATION OF INCIDENTAL OR CONSEQUENTIAL DAMAGES, SO THE ABOVE LIMITATION OR EXCLUSION MAY NOT APPLY TO YOU.

This warranty gives you specific legal rights, and you may also have other rights which vary from state to state.

This warranty applies to all RYOBI® brand outdoor products manufactured by or for Techtronic Industries North America, Inc., and sold in the United States and Canada.

To locate your nearest Authorized Ryobi Service Center, dial 1-800-860-4050.

WARRANTY

THE FOLLOWING CALIFORNIA AIR RESOURCES BOARD (CARB) STATEMENT ONLY APPLIES TO MODEL NUMBERS REQUIRED TO MEET THE CARB REQUIREMENTS.

TECHTRONIC INDUSTRIES NORTH AMERICA, INC., LIMITED WARRANTY STATEMENT FOR FEDERAL AND CALIFORNIA EMISSION CONTROL SYSTEMS NON-ROAD AND SMALL OFF-ROAD ENGINES

YOUR WARRANTY RIGHTS AND OBLIGATIONS

The U.S. Environmental Protection Agency (EPA), the California Air Resources Board (CARB), and Techtronic Industries North America, Inc., are pleased to explain the Emissions Control System Warranty on your 2010 model year non-road or small off-road engine. In California, new equipment that uses small off-road engines must be designed, built, and equipped to meet the state's stringent anti-smog standards. In other states, new 2000 and later model year non-road engines must be designed, built, and equipped at the time of sale to meet the U.S. EPA regulations for small non-road engines. The non-road engine must be free from defects in materials and workmanship which cause it to fail to conform with U.S. EPA standards for the first three years of engine use from the date of sale to the ultimate purchaser. Techtronic Industries North America, Inc., must warrant the emission control system on your non-road or small off-road engine for the period of time listed above provided there has been no abuse, neglect, or improper maintenance of your non-road or small off-road engine.

Your emission control system may include parts such as the carburetor or fuel injection system, the ignition system, catalytic converters, fuel tanks, valves, filters, clamps, connectors, and other associated components. Also included may be hoses, belts and connectors, and other emission-related assemblies.

Where a warrantable condition exists, Techtronic Industries North America, Inc., will repair your non-road or small off-road engine at no cost to you, including diagnosis, parts, and labor performed at an authorized service center for RYOBI® brand outdoor products.

MANUFACTURER'S WARRANTY COVERAGE:

This product's emissions control system is warranted for three years. If any emission-related part on your engine is defective, the part will be repaired or replaced by Techtronic Industries North America, Inc., free of charge.

OWNER'S WARRANTY RESPONSIBILITIES

(a) As the non-road or small off-road engine owner, you are responsible for the performance of the required maintenance listed in your operator's manual. Techtronic Industries North America, Inc., recommends that you retain all receipts covering maintenance on your non-road or small off-road engine, but Techtronic Industries North America, Inc., cannot deny warranty solely for the lack of receipts or for your failure to ensure the performance of all scheduled maintenance. Any replacement part or service that is equivalent in performance and durability may be used in non-warranty maintenance or repairs, and shall not reduce the warranty obligations of Techtronic Industries North America, Inc.

(b) As the non-road or small off-road engine owner, you should be aware, however, that Techtronic Industries North America, Inc., may deny you warranty coverage if your non-road or small off-road engine or a part has failed due to abuse, neglect, improper maintenance, or unapproved modifications.

(c) You are responsible for presenting your non-road or small off-road engine to an authorized service dealer as soon as a problem exists. The warranty repairs should be completed in a reasonable amount of time, not to exceed 30 days.

If you have any questions regarding your warranty rights and responsibilities, you should contact a Techtronic Industries North America, Inc., Customer Representative at 1-800-860-4050.

DEFECT WARRANTY COVERAGE REQUIREMENTS:

(a) The warranty period begins on the date the engine or equipment is delivered to an ultimate purchaser.

(b) General Emissions Warranty Coverage. Techtronic Industries North America, Inc., warrants to the ultimate purchaser and each subsequent purchaser that your non-road or small off-road engine is designed, built, and equipped at the time of sale to conform with all applicable regulations adopted by the California Air Resources Board or the United States Environmental Protection Agency; and that it is free from defects in materials and workmanship which cause the engine to fail to conform with applicable regulations for a period of three years from the date the non-road or small off-road engine is purchased by the initial purchaser.

(c) The warranty on emissions-related parts will be interpreted as follows: Any warranted part that is not scheduled for replacement as required in the Emissions Maintenance Schedule and Warranty Parts List set forth below is warranted for three years. If any such part (including any part that is scheduled only for regular inspection) fails during the period of warranty coverage, it will be repaired or replaced at any RYOBI® Authorized Service Center at no charge. Any such part repaired or replaced under warranty will be warranted for the remaining warranty period. A statement to the effect of "repair or replace as necessary" would not reduce the period of warranty coverage. Any warranted part that is scheduled for replacement as required maintenance in the Emissions Maintenance Schedule and Warranty Parts List is warranted for the period of time prior to the first scheduled replacement point for that part. Any such part repaired or replaced under warranty is warranted for the remainder of the period prior to the first scheduled replacement point, and will be repaired or replaced at any RYOBI® Authorized Service Center for no charge until that replacement point is reached.

Techtronic Industries North America, Inc., shall remedy warranty defects at any authorized RYOBI® Authorized Service Center, including any distribution center that may be franchised to service the subject engines. Any diagnostic work done at a RYOBI® Authorized Service Center shall be free of charge to the owner if such work determines that a warranted part is defective. Any manufacturer-approved or equivalent replacement part may be used for any warranty maintenance or repairs on emission-related parts, and must be provided free of charge to the owner if the part is still under warranty. Techtronic Industries North America, Inc., is liable for damages to other engine components caused by the failure of a warranted part still under warranty.

Add-on or modified parts that are not exempted by the California Air Resource Board may not be used. The use of any non-exempted add-on or modified parts will be grounds for disallowing a warranty claim. Techtronic Industries North America, Inc., will not be liable to warrant failures of warranted parts caused by the use of a non-exempted add-on or modified part.

The California Air Resources Board's Emission Warranty Parts List specifically defines the emission-related warranted parts. (EPA's regulations do not include a parts list, but the EPA considers emission-related warranted parts to include all the parts listed below.) Techtronic Industries North America, Inc., will provide any documents that describe its warranty procedures or policies within five days upon request by the California Air Resources Board.

EMISSIONS PARTS LIST

Emissions parts vary from product to product. Your emissions control system warranty applies to any of the following components that may be included on your product:

- (1) Fuel Metering System
 - (i) Carburetor and internal parts (and/or pressure regulator or fuel injection system).
 - (ii) Air/fuel ratio feedback and control system.
 - (iii) Cold start enrichment system.
 - (iv) Fuel Tank.
- (2) Air Induction System
 - (i) Controlled hot air intake system.
 - (ii) Intake manifold.
 - (iii) Air filter.
- (3) Ignition System
 - (i) Spark Plugs.
 - (ii) Magneto or electronic ignition system.
 - (iii) Spark advance/retard system.
- (4) Exhaust Gas Recirculation (EGR) System
 - (i) EGR valve body and carburetor spacer, if applicable.
 - (ii) EGR rate feedback and control system.
- (5) Air Injection System
 - (i) Air pump or pulse valve.
 - (ii) Valves affecting distribution of flow.
 - (iii) Distribution manifold.
- (6) Catalyst or Thermal Reactor System
 - (i) Catalytic converter.
 - (ii) Thermal reactor.
 - (iii) Exhaust manifold.
- (7) Particulate Controls
 - (i) Traps, filters, precipitators, and any other device used to capture particulate emissions.
- (8) Miscellaneous Items Used in Above Systems
 - (i) Electronic controls.
 - (ii) Vacuum, temperature, and time sensitive valves and switches.
 - (iii) Hoses, belts, connectors, and assemblies.

Techtronic Industries North America, Inc., will furnish with each new engine written instructions for its maintenance and use by the owner.

The Emissions Compliance Period referred to on the Emissions Compliance label indicates the number of operating hours for which the engine has been shown to meet Federal emission requirements. Category C=50 hours, B=125 hours, and A=300 hours.

WARRANTY

THIS PRODUCT WAS MANUFACTURED WITH A CATALYST MUFFLER

Congratulations! You have made an investment toward protecting the environment. In order to maintain this product's original emission level, please refer to the maintenance section below.

EMISSIONS MAINTENANCE SCHEDULE AND WARRANTED PARTS LIST					
Emissions Parts	Inspect Before Each Use	Clean Every 5 Hours	Replace Every 25 Hours or Yearly	Clean Every 25 Hours or Yearly	Replace Every 50 Hours
CATALYTIC MUFFLER ASSEMBLY					X
AIR FILTER ASSY					
includes:					
Filter Screen		X			
SPARK SCREEN					X
CARBURETOR ASSY					
includes:					
Heat Dam		X			
Gaskets		X			
FUEL TANK ASSY					
includes:					
Fuel Lines		X			
Fuel Cap		X			
Fuel Filter					
IGNITION ASSY					
includes:					
Spark Plug			X		

ALL EMISSIONS-RELATED PARTS ARE WARRANTED FOR THREE YEARS OR FOR THE PERIOD OF TIME PRIOR TO THE PARTS FIRST SCHEDULED REPLACEMENT WHICHEVER COMES FIRST.



CALL US FIRST

For any questions about operating or maintaining your product,
call the Ryobi® Help Line!

Your product has been fully tested prior to shipment to ensure
your complete satisfaction.

RÈGLES DE SÉCURITÉ GÉNÉRALES

AVERTISSEMENT :

LIRE ET VEILLER À BIEN COMPRENDRE TOUTES LES INSTRUCTIONS. Le non respect de toutes les instructions ci-dessous peut entraîner un choc électrique, un incendie et / ou des blessures graves.

CONSERVER CES INSTRUCTIONS

- Ne pas laisser des enfants ou personnes n'ayant pas reçu une formation adéquate utiliser cet outil.
- Ne jamais lancer ou faire tourner le moteur dans un endroit clos. Les gaz d'échappement peuvent être mortels.
- Toujours porter une protection oculaire avec écrans latéraux certifiée conforme à la norme ANSI Z87.1, avec protection auditive. Si cette précaution n'est pas prise, des objets peuvent être projetés dans les yeux et d'autres lésions graves.
- Garder tous les badauds, enfants et animaux domestiques à une distance d'au moins 15 m (50 pi).
- Porter des pantalons longs, manches longues, des chaussures de travail et des gants épais. Ne pas porter de vêtements amples, shorts, sandales, bijoux quels qu'ils soient et ne pas travailler pieds nus.
- Pour réduire les risques de happement par les pièces en mouvement, ne pas porter de vêtements amples, foulards, colliers, etc.
- Attacher les cheveux longs pour les maintenir au-dessus des épaules, afin qu'ils ne se prennent pas dans les pièces en rotation.
- Ne pas utiliser cet outil en état de fatigue, si l'on est souffrant ou sous l'influence de l'alcool, de drogues ou de médicaments.
- Ne pas travailler sous un éclairage insuffisant.
- Garder toutes les parties du corps à l'écart des pièces en mouvement et des parties brûlantes de l'outil.
- Porter un masque facial filtrant dans les milieux poussiéreux afin de réduire le risque de lésions lié à l'inhalation de poussière.
- Examiner la zone de travail avant chaque utilisation. La débarrasser de tous les objets tels que cailloux, verre brisé, clous, fils métalliques, cordes, etc. risquant d'être projetés ou de se prendre dans la machine.
- Se tenir bien campé et en équilibre. Ne pas travailler hors de portée. Le travail hors de portée risque de faire perdre l'équilibre ou de causer un contact avec les pièces brûlantes.
- Ne jamais utiliser l'outil sans le pare-étincelles, qui se trouve dans le silencieux.
- Les produits utilisés sur les territoires des services forestiers des États-Unis et de certains états doivent être conformes aux réglementations de lutte contre l'incendie. Cet outil est doté d'un pare-étincelles, toutefois, d'autres dispositifs peuvent être requis. Consulter les autorités locales et gouvernementales.
- Laisser le moteur refroidir avant de remiser l'outil.
- Vider le réservoir de carburant dans un contenant approuvé pour l'essence et immobiliser l'unité avant de la transporter dans un véhicule.
- Manipuler le carburant avec précaution pour éviter les risques d'incendies et de brûlures. Le carburant est extrêmement inflammable.
- Ne pas fumer pendant la manipulation du carburant.
- Mélanger et conserver le carburant dans un bidon ou jerrican approuvé pour l'essence.
- Mélanger le carburant à l'extérieur, loin de toute flamme ou source d'étincelles.
- Poser la machine sur un sol nu, arrêter le moteur et le laisser refroidir avant de faire le plein.
- Desserrer le bouchon du réservoir lentement pour relâcher la pression et éviter que le carburant s'échappe.
- Une fois le réservoir plein, remettre le bouchon en place et le serrer fermement.
- Essuyer tout le carburant éventuellement répandu. S'éloigner de 9 m (30 pi) du point d'approvisionnement avant de lancer le moteur.
- N'essayer en aucun cas de brûler le carburant répandu.
- Utiliser exclusivement des pièces de rechange et accessoire d'origine. L'usage de toute autre pièce pourrait créer une situation dangereuse ou endommager l'outil.
- Entretenir l'outil conformément aux instructions de ce manuel d'utilisation.
- Inspecter l'outil avant chaque utilisation pour s'assurer qu'il n'y a pas de pièces desserrées, de fuites de carburant, etc. Remplacer les pièces endommagées.
- Ne pas utiliser l'unité sur une échelle, un toit, un arbre ou un autre support instable. Le fait de se tenir bien campé sur une surface solide permet de mieux contrôler la soufflante dans des situations inattendues.
- Avant de nettoyer, réparer ou inspecter, arrêter le moteur et vérifier que toutes les pièces en mouvement sont immobilisées. Déconnecter le fil de bougie et le garder à l'écart de la bougie afin d'empêcher un démarrage accidentel.
- Le dépannage de la soufflante / aspirateur doit exclusivement être confié à un personnel qualifié. Les réparations ou entretiens par des personnes non qualifiées peuvent entraîner des blessures ou dommages à l'outil.

RÈGLES DE SÉCURITÉ PARTICULIÈRES




- Toujours tenir la soufflante/aspirateur avec la main droite pendant le soufflage. Consulter les instructions **d'UTILISATION** présentées ultérieurement dans ce manuel afin de connaître la position adéquate pour utiliser l'aspirateur, et obtenir des renseignements supplémentaires.
- Ne jamais rien insérer dans les tubes.
- Utiliser exclusivement selon les instructions de ce manuel.
- Ne pas utiliser l'aspirateur sans le sac, car des débris pourraient être projetés et infliger des blessures graves. Toujours fermer le sac complètement avant d'utiliser l'aspirateur.
- L'aubage de la roue en rotation peut entraîner des blessures graves. Arrêter le moteur et s'assurer que l'aubage de la roue a cessé de tourner avant d'ouvrir la porte de l'aspirateur ou d'installer ou de changer les tuyaux. Ne pas mettre les mains ou quelque objet que ce soit dans les tubes installés sur la machine.
- Ne jamais utiliser la soufflante sans les accessoires appropriés installés. Les tubes de soufflante doivent toujours être installés lorsque la machine est utilisée en soufflante. Lorsque la machine est utilisée pour aspirer, les tubes d'aspiration et le sac doivent toujours être installés. Pour éviter la projection de débris, s'assurer que la fermeture à glissière de sac est complètement fermée lorsque le moteur tourne.
- Éviter les situations pouvant mettre le feu au sac. Ne pas utiliser la machine à proximité de flammes vives. Ne pas aspirer les cendres chaudes de cheminées, barbecues, feux de bois, etc. Ne pas aspirer de mégots de cigares ou cigarettes dont les cendres ne sont pas complètement froides.
- Ne jamais placer la soufflante en marche sur une surface, sauf si celle-ci est dure et propre. Le gravier, le sable et les autres débris peuvent être aspirés dans l'entrée d'air et projetés en direction de l'utilisateur ou des personnes à proximité, ce qui peut entraîner des blessures graves.
- Pour réduire les risques de perte de l'ouïe causée par le niveau sonore, porter une protection auditive.
- Pour réduire les risques de blessures infligées par des pièces en rotation, arrêter le moteur avant d'installer ou de retirer des accessoires. Toujours débrancher le fil de bougie avant de procéder à un entretien ou d'accéder à des pièces en mouvement.
- Ne jamais utiliser la soufflante à proximité d'un feu, d'un poêle, de cendres chaudes, d'un barbecue, etc., sans quoi le feu risque de se propager.
- Ne pas diriger la soufflante vers des personnes ou un animal.
- Ne jamais utiliser la soufflante sans les accessoires appropriés installés. Les tubes doivent toujours être en place.

APPROVISIONNEMENT EN CARBURANT









- Le carburant est extrêmement inflammable. Lors de l'utilisation, prendre les précautions nécessaires pour réduire le risque de blessures graves.
- Conserver le carburant dans une zone froide bien ventilée à l'écart d'étincelles et / ou de matériels produisant des flammes.
- Conserver le carburant dans des jerrycans spécialement conçus à cet effet.
- Toujours faire le plein à l'extérieur et ne pas fumer pendant cette opération.
- Faire l'appoint de carburant avant de lancer le moteur. Ne jamais retirer le bouchon du réservoir de carburant ni faire l'appoint pendant que le moteur tourne ou est chaud.
- Ne pas fumer pendant la manipulation du carburant.
- Mélanger et conserver le carburant dans un bidon ou jerrycan approuvé pour l'essence.
- Mélanger le carburant à l'extérieur, loin de toute flamme ou source d'étincelles.
- Desserrer le bouchon du réservoir lentement pour relâcher la pression et éviter que le carburant s'échappe.
- Une fois le réservoir plein, remettre le bouchon en place et le serrer fermement.
- Essuyer tout le carburant éventuellement répandu. S'éloigner de 9 m (30 pi) du point d'approvisionnement avant de lancer le moteur.
- N'essayer en aucun cas de brûler le carburant répandu.
- Manipuler le carburant avec précaution pour éviter les risques d'incendies et de brûlures. Le carburant est extrêmement inflammable.
- Si du carburant est répandu, ne pas essayer de lancer le moteur, mais éloigner la machine et éviter de créer une source d'inflammation jusqu'à ce que les vapeurs de carburant se soient dissipées.
- Remettre en place les bouchons de jerrycan et de réservoir de carburant et les serrer fermement.
- Vider le réservoir de carburant dans un contenant approuvé pour l'essence et empêcher l'unité de bouger avant de le transporter dans un véhicule.
- Lors de la vidange du réservoir de carburant, utiliser un bidon ou jerrycan approuvé pour la conservation de carburant et procéder dans un endroit bien aéré.
- Poser la machine sur un sol nu, arrêter le moteur et le laisser refroidir avant de faire le plein.
- Conserver ces instructions. Les consulter fréquemment et les utiliser pour instruire les autres utilisateurs éventuels. Si cet outil est prêté, il doit être accompagné de ces instructions.

SYMBOLES

Les termes de mise en garde suivants et leur signification ont pour but d'expliquer le degré de risques associé à l'utilisation de ce produit.

SYMBOLE	SIGNAL	SIGNIFICATION
	DANGER :	Indique une situation extrêmement dangereuse qui, si elle n'est pas évitée, aura pour conséquences des blessures graves ou mortelles.
	AVERTISSEMENT :	Indique une situation potentiellement dangereuse qui, si elle n'est pas évitée, pourrait entraîner des blessures graves ou mortelles.
	ATTENTION :	Indique une situation potentiellement dangereuse qui, si elle n'est pas évitée, pourrait entraîner des blessures légères ou de gravité modérée.
	ATTENTION :	(Sans symbole d'alerte de sécurité) Indique une situation pouvant entraîner des dommages matériels.

Certains des symboles ci-dessous peuvent être présents sur la produit. Veiller à les étudier et à apprendre leur signification. Une interprétation correcte de ces symboles permettra d'utiliser la produit plus efficacement et de réduire les risques.

SYMBOLE	NOM	EXPLICATION
	Symbole d'alerte de sécurité	Indique un risque de blessure potentiel.
	Lire le manuel d'utilisation	Pour réduire les risques de blessures, l'utilisateur doit lire et veiller à bien comprendre le manuel d'utilisation avant d'utiliser ce produit.
	Porter une protection oculaire et auditive	Toujours porter une protection oculaire munie d'écrans latéraux certifiée conforme à la norme ANSI Z87.1, ainsi qu'une protection auditive et respiration lors de l'utilisation de cet outil.
	Volet d'aspiration	Ne pas actionner lorsque le volet d'aspiration n'est pas verrouillé.
	Cheveux longs	Risque d'aspiration des cheveux longs dans l'entrée d'air.
	Tubes de soufflante	Ne pas utiliser sans les tubes en place.
	Vêtements amples	Risque d'aspiration des vêtements amples dans l'entrée d'air.
	Essence et lubrifiant	Utiliser de l'essence sans plomb pour automobiles, avec un indice d'octane de 87 [(R + M) / 2] ou plus. Cet outil utilise un moteur deux temps qui nécessite le mélange d'essence et d'lubrifiant 2 temps.

CARACTÉRISTIQUES

FICHE TECHNIQUE

Cylindrée	26 cc
Vitesse d'air :	
*M/H.....	150
*Pi ³ /min	400
Poids	4,3 kg (9,5 lb)

*Évalué par ANSI B175.2

APPRENDRE À CONNAÎTRE LA SOUFFLANTE/ ASPIRATEUR

Voir la figure 1.

La sécurité d'utilisation de ce produit exige la compréhension des informations apposées sur l'outil et contenues dans ce manuel d'utilisation, ainsi que la connaissance du travail à exécuter. Avant d'utiliser ce produit, se familiariser avec toutes ses fonctions et règles de sécurité.

TUBE DE SOUFFLANTE ET EMBOUTS

Le tube peuvent être installés sur la soufflante sans aucun outil.

RÉGULATEUR DE VITESSE / VERROUILLAGE D'ACCÉLÉRATION

Le régulateur de vitesse / verrouillage d'accélération permet d'utiliser la soufflante sans maintenir le doigt sur la gâchette. Pour ralentir le moteur, il suffit de pousser la manette de régulateur de vitesse / verrouillage d'accélération vers l'avant.

MOTEUR

Cette soufflante est équipée d'un moteur de 26 cc, assez puissant pour s'acquitter des tâches de soufflage et d'aspiration les plus dures.

EMBOUT ÉVENTAIL

L'embout éventail permet de couvrir une surface plus large.

GÂCHETTE D'ACCÉLÉRATEUR

La soufflante peut être utilisée à n'importe quelle vitesse entre le ralenti et le régime maximum.

ASPIRATEUR / BROYEUR

Il est possible de convertir facilement la soufflante en un aspirateur ou un broyeur à l'aide d'un tournevis à tête plate.

SAC À DÉBRIS

Le sac à débris se monte sur la machine au moyen d'un adaptateur.

POIGNÉE D'ASPIRATEUR

Cette fonction permet de s'acquitter des travaux d'aspiration confortablement.

TUBES D'ASPIRATION

Il est possible d'installer les tuyaux de l'aspirateur sur la soufflante à l'aide d'un tournevis à tête plate.

OUTILS NÉCESSAIRES

Le coût de transport du produit au et du centre de service doit être payé par le propriétaire.

Voir la Figure 1a.

- Tournevis à lame plate

ASSEMBLAGE

DÉBALLAGE

Ce produit doit être assemblé.

- Avec précaution, sortir le produit et les accessoires de la boîte. S'assurer que toutes les pièces figurant sur la liste de contrôle sont incluses.

AVERTISSEMENT :

Ne pas utiliser le produit si, en le déballant, vous constatez que des éléments figurant dans la liste des pièces sont déjà assemblés. Certaines pièces figurant sur cette liste n'ont pas été assemblées par le fabricant et exigent une installation. Le fait d'utiliser un produit qui a été assemblé de façon inadéquate peut entraîner des blessures.

- Examiner soigneusement le produit pour s'assurer que rien n'a été brisé ou endommagé en cours de transport.
- Ne pas jeter les matériaux d'emballage avant d'avoir soigneusement examiné le produit et avoir vérifié qu'il fonctionne correctement.
- Si des pièces sont manquantes ou endommagées, appeler le 1-800-860-4050.

ASSEMBLAGE

LISTE DES PIÈCES

Soufflante
Tube supérieur de soufflante
Embout éventail
Tubes d'aspiration supérieur et inférieur
Vis du tube d'aspiration (2)
Sac à déchets
Adaptateur de sac à déchets
Lubrifiant 2 temps
Manuel d'utilisation

NOTE : Lire toutes les étiquettes avant de les retirer et de les ranger avec le manuel d'utilisation.

AVERTISSEMENT :

Si des pièces manquent ou sont endommagées, ne pas utiliser ce produit avant qu'elles aient été remplacées. Le fait d'utiliser ce produit même s'il contient des pièces endommagées ou s'il lui manque des pièces peut entraîner des blessures graves.

AVERTISSEMENT :

Ne pas essayer de modifier ce produit ou de créer des accessoires non recommandés pour le produit. De telles altérations ou modifications sont considérées comme un usage abusif et peuvent créer des conditions dangereuses, risquant d'entraîner des blessures graves.

AVERTISSEMENT :

Pour empêcher un démarrage accidentel pouvant entraîner des blessures graves, toujours déconnecter le fil de la bougie avant d'assembler des pièces.

ASSEMBLAGE DES TUBES DE SOUFFLANTE

Voir les figures 2 et 3.

- Aligner les languettes en saillie du boîtier principal sur les fentes du tube supérieur, emboîter le tube et le serrer fermement en le tournant. Vérifier le serrage après l'utilisation initiale et resserrer selon le besoin.
- Fixer la embout éventail (buse à haute puissance ou buse de balayeuse) sur le tuyau supérieur de la soufflante en s'alignant sur les nervures de ce dernier. Les glisser ensemble et les serrer en les tournant. Vérifier leur solidité après l'utilisation initiale et les resserrer, au besoin.
- Tourner les tubes pour les déverrouiller, puis les retirer de la sortie d'air de la soufflante.

INSTALLATION DU SAC À DÉBRIS

Voir les figures 4 et 5.

- Retirer la buse et le tuyau supérieur de la soufflante en tournant ce dernier et en le retirant de la sortie du logement de la soufflante.
- Ouvrir le sac à déchets et placer l'adaptateur de sac à l'intérieur, comme illustré. Pousser l'adaptateur du sac à déchets dans l'ouverture située du côté opposé de la fermeture à glissière. L'extrémité large de l'adaptateur demeurera à l'intérieur du sac à déchets si l'accessoire est correctement installé.
- Aligner les fentes de l'adaptateur de sac sur les languettes en saillie de la sortie d'air de la soufflante, enfoncer l'adaptateur dans son logement. Tourner pour l'assujettir en place.
- Tourner le sac pour orienter la bandoulière vers le haut.
- S'assurer que la fermeture à glissière du sac à déchets est bien fermée avant de mettre l'outil en marche.

INSTALLATION DES TUBES D'ASPIRATION

Voir les figures 6 et 7.

AVERTISSEMENT :

Contact de les pales de ventilateur en rotation peuvent causer des blessures graves. Toujours arrêter le moteur et s'assurer que l'aubage de la roue a cessé de tourner avant d'ouvrir le volet d'aspiration ou d'installer / changer les tubes. Ne pas mettre les mains ou quelque objet que ce soit dans les tubes installés sur la machine.

Installation des tubes d'aspiration :

- Assembler le tube d'aspiration supérieur sur le tube inférieur en alignant les languettes en saillie sur les fentes.
- Taper l'ensemble des tubes sur le sol, jusqu'à ce que les trous de vis du tube inférieur soient visibles dans les fentes du tube supérieur. Assujettir les tubes avec les vis fournies.
- Appuyer sur le loquet de la porte à l'aide d'un tournevis à tête plate et ouvrir la trappe d'admission de l'aspirateur.
- Aligner les montures à vis de l'ouverture de l'aspirateur avec les vis de l'ensemble tuyau d'aspirateur.
- Tourner dans droite, resserrer la vis sur le tube d'aspiration supérieur pour obtenir au boîtier du souffleur.

Retrait des tubes d'aspiration :

- Desserrer les vis du tuyau supérieur de l'aspirateur en les tournant dans le sens antihoraire
- Retirer les tubes d'aspiration du corps de la soufflante.
- Refermer soigneusement le volet d'entrée d'air.

UTILISATION

AVERTISSEMENT :

Ne pas laisser la familiarité avec ce produit faire oublier la prudence. Ne pas oublier qu'une fraction de seconde d'inattention peut entraîner des blessures graves.

AVERTISSEMENT :

Toujours porter une protection oculaire avec écrans latéraux certifiée conforme à la norme ANSI Z87.1 ainsi qu'une protection auditive. Si cette précaution n'est pas prise, des objets peuvent être projetés dans les yeux et causer des lésions graves.

APPLICATIONS

Ce produit peut être utilisé pour les applications ci-dessous :

- Élimination des feuilles et débris des pelouses
- Élimination des feuilles et autres débris des terrasses allées de garage
- Feuilles nettoyantes à l'aspirateur de votre pelouse

MÉLANGE DU CARBURANT

Cet outil utilise un moteur 2 temps qui nécessite le mélange d'essence et d'huile 2 temps. Le taux de mélange doit être de 50:1.

NOTE : Il est recommandé d'utiliser **UNIQUEMENT** de l'huile de marque Ryobi (mélange exact) avec ce produit.

Mélange du carburant :

- Se procurer un bidon ou jerrycan approuvé pour l'essence.
- Mélanger l'huile pour moteur 2 temps à l'essence se trouvant dans le jerrycan conformément aux instructions de l'emballage de l'huile.

Le moteur est certifié pour fonctionner avec de l'essence sans plomb pour automobiles, avec un indice d'octane de 87 [(R + M) / 2] ou plus. Ne pas utiliser d'huile automobile ou pour moteur hors-bord 2 temps.

NOTE : Le mélange reste frais pendant 30 jours maximum. **NE PAS** mélanger plus de carburant qu'il ne sera utilisé dans une période de 30 jours.

L'HUILE POUR MOTEUR 2 TEMPS À L'ESSENCE (50:1)



ESSENCE	HUILE
1 gallon (US)	2,6 oz
1 litre	20 cc (20 ml)

REPLISSAGE DU RÉSERVOIR

- Nettoyer le pourtour du bouchon de remplissage pour éviter la contamination du carburant.
- Desserrer le bouchon du réservoir en le tournant lentement vers la gauche.
- Verser le mélange dans le réservoir avec précaution.
- Avant de remettre le bouchon en place, nettoyer et inspecter son joint.

- Remettre le bouchon en place et le serrer en le tournant vers la droite.
- Essuyer tout le carburant éventuellement répandu sur l'outil.
- S'éloigner d'au moins 9 m (30 pi) du point d'approvisionnement avant de lancer le moteur.

NOTE : Il est normal qu'un moteur neuf dégage de la fumée lors de la première utilisation.

AVERTISSEMENT :

Toujours couper le moteur avant de faire le plein de carburant. Ne jamais mettre de carburant dans une machine lorsque le moteur tourne ou est chaud. S'éloigner d'au moins 9 m (30 pi) du point de ravitaillement avant de lancer le moteur. Ne pas fumer, et rester à l'écart des flammes vives et des étincelles. Une mauvaise manipulation du carburant peut entraîner des blessures graves.

CARBURANTS OXYGÉNÉS

NE PAS UTILISER LE CARBURANT E85. LE NON-RESPECT DE CETTE DIRECTIVE ENTRAÎNE L'ANNULATION DE LA GARANTIE.

NOTE : Les dommages au circuit de carburant et les problèmes de performance résultant de l'utilisation de carburant oxygéné contenant des pourcentages de composants oxygénés supérieurs à ceux indiqués précédemment ne sont pas couverts par la garantie.

Ethanol. L'essence contenant jusqu'à 10 % d'éthanol par volume (généralement désignée E10) ou 15 % d'éthanol par volume (généralement désignée E15) est acceptable. L'essence désignée E85 ne l'est pas.

DÉMARRAGE ET ARRÊT


Voir la figure 8.

Pour le démarrage, le soufflante doit être posé sur un sol nu et plat.

- Appuyer lentement 10 fois sur la poire d'amorçage.
NOTE : Après la 10e pression, on devrait apercevoir du carburant dans la poire d'amorçage. Sinon, continuer à presser sur l'amorceur jusqu'à voir du carburant dans la poire.
- Mettre le volet de départ en position d'étranglement **FULL CHOKE** (complètement ouvert).
- Verrouiller le régulateur de vitesse / verrouillage d'accélération
- Tirer sur le cordon du lanceur jusqu'à ce que le moteur essaie de démarrer. Ne pas tirer le cordon plus de quatre (4) fois.
- Mettre le volet de départ en position **HALF CHOKE** (demi étranglement).
- Tirer sur le poignée du lanceur et corde jusqu'à ce que le moteur démarre.
NOTE : Si le moteur ne démarre pas, mettre le levier d'étrangleur en position « **FULL CHOKE** » (Complètement ouvert) et répéter les étapes suivantes.
- Laisser le moteur tourner pendant 15 secondes et mettre le levier du volet de départ en position **RUN** (marche).

UTILISATION

ARRÊT DU MOTEUR :

- Appuyer sur l'interrupteur d'arrêt «  ». et le tenir enfoncé jusqu'à ce que le moteur s'arrête.

CHAUD RELANCER DU MOTOR :

- Mettre le volet de départ en position **RUN**.
- Verrouiller le régulateur de vitesse / verrouillage d'accélération.
- Tirer sur le poignée du lanceur et corde jusqu'à ce que le moteur démarre.

EN CAS DE BESOIN D'ASSISTANCE DÉMARRAGE AVEC CE PRODUIT :

Ne pas retourner au magasin de détail où il a été acheté. Pour toute question, appeler notre service après-vente.

Pour toute assistance, appeler le : 1-800-860-4050

UTILISATION DE LA SOUFFLANTE

Voir les figures 9 et 10.

AVERTISSEMENT :

Ne jamais utiliser la soufflante sans les tubes installés ou le volet d'aspiration bien fermé. Le fait d'utiliser une unité qui a été assemblée de façon inadéquate peut entraîner des blessures.

- Mettre la soufflante en marche. Voir **Démarrage et arrêt**, plus haut dans ce manuel. Tenir la soufflante par la poignée supérieure, avec la main droite.

AVERTISSEMENT :

Toujours garder l'appareil à l'écart de son corps en le tenant par la poignée à l'aide de la main droite au moment d'utiliser l'outil comme soufflante, en maintenant une distance de sécurité entre le corps et l'équipement. Le côté du silencieux de la soufflante doit être placé à l'écart du corps. Tout contact avec le logement peut entraîner des brûlures ou d'autres blessures graves.

AVERTISSEMENT :

Ne pas placer la soufflante sur des débris ou sur du gravier ou à proximité de ceux-ci. Les débris peuvent être aspirés dans la prise d'air de la soufflante, ce qui peut endommager l'unité et entraîner des blessures graves.

- Pour éviter d'éparpiller les débris, souffler autour des bords d'un tas de débris. Ne jamais souffler directement vers le centre d'un tas.
- N'utiliser les outils motorisés qu'à des heures raisonnables – pas très tôt le matin ou très tard le soir, afin de ne pas déranger les voisins. Se conformer aux heures indiquées dans les réglementations locales.
- Pour réduire le niveau sonore, limiter le nombre d'outils motorisés utilisés en même temps.
- Conserver l'eau en utilisant une soufflante au lieu de tuyaux d'arrosage pour divers travaux de jardin et pelouses,

tels que le nettoyage des gouttières, moustiquaires, patios, grilles, porches et massifs de fleurs.

- Utiliser la soufflante à la vitesse la plus basse permettant d'effectuer le travail.
- Vérifier le matériel avant de l'utiliser, en particulier l'échappement, l'entrée d'air et les filtres à air.
- Utiliser des râtaux et pelles pour séparer les débris avant de les souffler.
- Dans un environnement poussiéreux humidifier légèrement les surfaces si de l'eau est disponible.
- Prêter attention aux enfants, animaux, fenêtres ouvertes ou véhicules fraîchement lavés et souffler les débris en direction opposée.
- Tenir la soufflante tel qu'illustré à la figure 9 de façon à ce que le courant d'air puisse passer près du sol.
- Après utilisation de la soufflante ou de tout autre équipement, **NETTOYER !** Pour jeter les débris correctement.
- Utiliser l'embout éventail pour le nettoyage quotidien. Cet embout permet de couvrir une surface plus large.

RÉGULATEUR DE VITESSE

Voir la figure 11.

Le régulateur de vitesse permet d'utiliser la soufflante sans maintenir le doigt sur la gâchette.

Pour engager le régulateur de vitesse :

- Tirer le levier de régulateur de vitesse vers soi, jusqu'à ce que le régime désiré soit atteint.
- Pour désengager le régulateur de vitesse, pousser son levier à fond vers l'avant.

UTILISATION DE L'ASPIRATEUR

Voir la figure 12.

AVERTISSEMENT :

Ne jamais faire fonctionner l'unité si les tubes et le sac ne sont pas installés. Le fait d'utiliser un produit qui a été assemblé de façon inadéquate peut entraîner des blessures.

AVERTISSEMENT :

Tenir le silencieux ainsi que toutes les surfaces brûlantes de la soufflante ou de l'aspirateur à l'écart des parties du corps. L'inobservation de cette règle peut entraîner des blessures graves.

- Installer les tubes d'aspiration et le sac à débris. Voir **ASSEMBLAGE**, plus haut dans ce manuel.
- Mettre la soufflante en marche. Voir **Démarrage et arrêt**, plus haut dans ce manuel.
- Placer la bandoulière du sac sur l'épaule droite. Tenir la poignée supérieure avec la main gauche et la poignée d'aspirateur, avec la main droite.
- Utiliser un mouvement de balayage sur le côté des débris. Pour éviter l'obturation, ne pas poser l'embouchure du tube directement sur les débris.

UTILISATION

- Tenir le moteur plus haut que l'extrémité du tube d'aspiration.
- Lors du travail sur une pente, toujours diriger le tube d'aspiration vers le bas de la pente.
- Pour éviter des blessures graves ou dommages à la unite, ne pas aspirer de cailloux, de métal, de verre brisé, de bouteilles ou autres objets similaires.
- En cas d'obstruction du tube d'aspiration, arrêter le moteur, s'assurer que l'aubage de la roue a cessé de tourner, et débrancher le fil de la bougie avant de débloquent le tube.
- Retirer les tubes d'aspiration et éliminer les débris du boîtier de ventilateur. Retirer le sac à débris et déboucher le tube. Il peut être nécessaire d'utiliser une petite tige ou un bâton pour dégager complètement le tube. S'assurer que tous les débris ont été enlevés avant de réassembler les tubes d'aspiration.

ENTRETIEN

AVERTISSEMENT :

Utiliser exclusivement des pièces identiques à celles d'origine pour les réparations. L'usage de toute autre pièce pourrait créer une situation dangereuse ou endommager l'outil.

AVERTISSEMENT :

Toujours porter une protection oculaire avec écrans latéraux certifiée conforme à la norme ANSI Z87.1, avec protection auditive. Si cette précaution n'est pas prise, des objets peuvent être projetés dans les yeux et causer des lésions graves.

AVERTISSEMENT :

Avant d'inspecter, nettoyer ou entretenir l'équipement, arrêter le moteur, attendre l'arrêt complet de toutes les pièces en mouvement, déconnecter le fil de la bougie et l'écarter de cette dernière. Le non-respect de ces instructions peut entraîner des blessures graves ou des dégâts matériels.

ENTRETIEN GÉNÉRAL

Éviter d'utiliser des solvants pour le nettoyage des pièces en plastique. La plupart des matières plastiques peuvent être endommagées par divers types de solvants du commerce. Utiliser un chiffon propre pour éliminer la saleté, la poussière, l'lubrifiant, la graisse, etc.

AVERTISSEMENT :

Ne jamais laisser de liquides tels que le fluide de freins, l'essence, les produits à base de pétrole, les lubrifiants pénétrants, etc., entrer en contact avec les pièces en plastique. Les produits chimiques peuvent endommager, affaiblir ou détruire le plastique, ce qui peut entraîner des blessures graves.

Les réglages et réparations décrits ci-dessous peuvent bien souvent être effectués par l'utilisateur. Les autres réparations doivent être confiées à un centre de réparations agréé.

NETTOYAGE LE FILTRE À AIR

Voir la figure 13 et 14.

Pour assurer un fonctionnement correct et une longue vie utile, garder le filtre à air propre.

- Retirer le couvercle du filtre à air en tournant le cadran dans le sens antihoraire, tout en tirant légèrement sur le couvercle.
- Rincer le filtre avec de l'eau propre.
- Presser légèrement sur le filtre jusqu'à ce que l'excédent d'eau soit retiré. Replacer le filtre.
- Remettre le couvercle du filtre à air sur l'unité. Tourner le cadran dans le sens horaire jusqu'à ce que le couvercle soit fixé solidement.

NETTOYAGE DE L'ORIFICE D'ÉCHAPPEMENT, DU SILENCIEUX ET PARE-ÉTINCELLES

NOTE : Suivant le type de carburant utilisé, le type et la quantité de lubrifiant et / ou les conditions de travail, l'orifice d'échappement et le silencieux peuvent se calaminer. Si un outil motorisé semble avoir perdu de la puissance, cette calamine doit être éliminée pour restaurer le fonctionnement normal. Il est vivement recommandé de confier ce travail à un technicien qualifié.

Le pare-étincelles doit être nettoyé ou remplacé toutes les 50 heures de fonctionnement ou tous les ans pour assurer le fonctionnement correct de l'outil. L'emplacement du pare-étincelles diffère suivant le modèle. Contacter le concessionnaire le plus proche pour connaître l'emplacement du pare-étincelles sur le modèle utilisé.

AVERTISSEMENT :

Ne jamais utiliser la soufflante sans le pare-étincelles. Ne pas prendre cette précaution peut causer un incendie, entraînant des blessures graves.

ENTRETIEN

SAC À DÉBRIS

Un sac encrassé nuit aux performances. Pour nettoyer le sac, le retourner et le secouer. Le laver dans de l'eau savonneuse au moins une fois par an. Pour obtenir un sac de rechange, consulter **Reparation** qui sont indiquées à la dernière page du présent guide.

BOUCHON DU RÉSERVOIR

AVERTISSEMENT :

S'assurer de l'absence de fuites de carburant. Un bouchon de carburant qui fuit pose un risque d'incendie et doit être remplacé immédiatement. Toutes les fuites doivent être éliminées avant d'utiliser le produit. Ne pas prendre cette précaution peut causer un incendie, entraînant des blessures graves.

Le bouchon du réservoir de carburant contient un filtre et un clapet antiretour non réparables. Un filtre à carburant colmaté nuit au bon fonctionnement du moteur. Si le fonctionnement du moteur s'améliore lorsque le bouchon est desserré, le clapet antiretour peut être défectueux ou le filtre colmaté. Si nécessaire, remplacer le bouchon de carburant.

REPLACEMENT DE LA BOUGIE

Ce moteur utilise une bougie Ryobi AC00160 ou Champion RCJ-6Y avec un écartement d'électrode de 0,63 mm (0,025 po). La bougie doit être remplacée annuellement par une bougie identique.

REMISAGE LE PRODUIT

- Nettoyer soigneusement le produit. La remiser dans un endroit bien aéré, inaccessible aux enfants. La tenir à l'écart de produits corrosifs, tels que les produits chimiques de jardinage et le sel de dégivrage.
- Se conformer à toutes les réglementations locales et gouvernementales concernant la sécurité de la manipulation et de l'entreposage de l'essence.

Remisage 1 mois ou plus :

- Vider complètement le réservoir de carburant dans un bidon ou jerrycan approuvé pour l'essence. Laisser le moteur tourner jusqu'à ce qu'il cale.

DÉPANNAGE

SI LES PRÉSENTES SOLUTIONS NE RÉSOLVENT PAS LE PROBLÈME, CONTACTER LE CENTRE DE RÉPARATIONS AGRÉÉ.

PROBLÈME	CAUSE	SOLUTION
Le moteur ne démarre pas.	Pas de carburant dans le réservoir. Bougie encrassée ou noyée. Bougie cassée (porcelaine fendue ou électrode brisé). Fil d'allumage court-circuité, brisé ou déconnecté de la bougie. Allumage inopérant.	Remplir le réservoir. Remplacer la bougie. Remplacer la bougie. Remplacer le fil d'allumage ou le brancher sur la bougie. Contacter un centre de réparations agréé.
Moteur difficile à lancer.	Eau dans le carburant ou mélange défraîchi. Trop d'lubrifiant dans le mélange. Volet de départ trop ou pas assez ouvert. Bougie humide.	Vidanger et remplir avec du carburant frais. Vidanger et remplir de mélange correct. Régler le volet de départ selon le besoin. Contacter un centre de réparations agréé.
Le moteur manque de puissance.	Filtre à air colmaté.	Nettoyer le filtre à air. Voir la section Nettoyage du filtre à air , plus haut dans ce manuel.
Le moteur surchauffe.	Pas assez d'lubrifiant dans le mélange.	Mélanger le carburant comme indiqué dans les instructions de démarrage.

GARANTIE

ÉNONCÉ DE LA GARANTIE LIMITÉE

Techtronic Industries North America, Inc., garantit à l'acheteur original que ce produit RYOBI® est exempt de tous vices de matériaux ou de fabrication et s'engage à réparer ou remplacer gratuitement, à son choix, tout produit s'avérant défectueux au cours des périodes indiquées ci-dessous, à compter de la date d'achat.

- Trois ans sur les produits utilisés par des particuliers ;
- 90 jours sur les produits utilisés à toutes autres fins, telles que les travaux commerciaux et la location.

Cette garantie n'est offerte qu'à l'acheteur original et entre en vigueur à la date de l'achat original.

Toute pièce de ce produit jugée, après évaluation raisonnable par Techtronic Industries North America, Inc., comme présentant des vices de matériaux ou de fabrication, sera réparée ou remplacée, sans facturation pour pièces ou main d'oeuvre par un centre de réparations agréé pour produits d'extérieur de marque RYOBI® (centre de réparations Ryobi agréé).

Le produit, y compris toutes les pièces défectueuses devront être retournés à un centre de réparations Ryobi agréé, avant expiration de la période de garantie. Les frais d'expédition au centre de réparations pour les travaux sous garantie et de retour au propriétaire du produit seront assumés par le propriétaire. En ce qui concerne les réclamations en garantie, la responsabilité Techtronic Industries North America, Inc., se limitera à la réparation ou au remplacement des produits défectueux et aucune revendication de rupture de garantie ne pourra causer l'annulation ou la résiliation du contrat de vente d'un produit d'extérieur RYOBI® quel qu'il soit. Une preuve d'achat sera exigée par le centre de réparation, afin de valider toute réclamation au titre de la garantie. Toutes les réparations sous garantie devront être effectuées par un centre de réparations agréé.

La garantie sur tout produit d'extérieur RYOBI® utilisé pour la location, des travaux commerciaux ou tout autre usage lucratif, sera limitée à quatre-vingt-dix (90) jours, à compter de la date d'achat au détail original.

Cette garantie ne couvre pas les produits ayant fait l'objet d'un usage abusif ou négligent, d'un manque d'entretien, ayant été impliqués dans un accident ou employé de façon contraire aux instructions du manuel d'utilisation. Cette garantie ne couvre ni les dommages aux produits résultant d'un manque d'entretien, ni les produits qui ont été altérés ou modifiés. La garantie exclut les réparations rendues nécessaires par l'usure normale ou l'utilisation de pièces et accessoires incompatibles avec le produit d'extérieur RYOBI® ou nuisibles à son bon fonctionnement, ses performances ou sa durabilité. En outre, cette garanti exclut :

A. Les réglages – Bougies, carburateur, réglages du carburateur, allumage, filtres

B. Les articles consommables – Boutons d'avance par choc, bobines externes, lignes de coupe, bobines internes, poulies et cordons de lanceur, courroies d'entraînement, dents, rondelles en feutre, axes d'attelage, lames de paillage, ventilateur de soufflante, tubes de soufflage et d'aspiration, sacs à débris, guides, chaînes de scie

Techtronic Industries North America, Inc., se réserve le droit d'apporter des modifications ou améliorations à tout produit extérieur RYOBI®, sans obligation de modifier les produits fabriqués antérieurement.

LA DURÉE DE TOUTES LES GARANTIES IMPLICITES NE SAURAIT EN AUCUN CAS EXCÉDER LA PÉRIODE DE GARANTIE DÉCLARÉE. PAR CONSÉQUENT, TOUTES LES GARANTIES IMPLICITES, Y COMPRIS LES GARANTIES DE VALEUR MARCHANDE OU D'ADÉQUATION À UN USAGE PARTICULIER OU AUTRES SERONT INVALIDÉES À L'EXPIRATION DE LA PÉRIODE DE GARANTIE APPROPRIÉE DE DEUX ANS, UN AN OU QUATRE-VINGT-DIX JOURS. LES OBLIGATIONS DE TECHTRONIC INDUSTRIES NORTH AMERICA, INC., DANS LE CADRE DE CETTE GARANTIE SE LIMITENT EXCLUSIVEMENT À LA RÉPARATION OU AU REMPLACEMENT DES PIÈCES DÉFECTUEUSES ET TECHTRONIC INDUSTRIES NORTH AMERICA, INC. N'ASSUME OU N'AUTORISE QUICONQUE À ASSUMER QUELQUE AUTRE OBLIGATION QUE CE SOIT. CERTAINS ÉTATS ET PROVINCES NE PERMETTANT PAS DE LIMITATION DE DURÉE DES GARANTIES IMPLICITES, LES RESTRICTIONS CI-DESSOUS PEUVENT NE PAS ÊTRE APPLICABLES. TECHTRONIC INDUSTRIES NORTH AMERICA, INC., DÉCLINE TOUTE RESPONSABILITÉ EN CE QUI CONCERNE LES DOMMAGES DIRECTS, INDIRECTS OU AUTRES, Y COMPRIS, MAIS SANS S'Y LIMITER, LES FRAIS DE RETOUR DE PRODUITS À UN CENTRE DE RÉPARATION RYOBI AGRÉÉ ET DE RENVOI AU PROPRIÉTAIRE, DE DÉPLACEMENT D'UN TECHNICIEN, DE TÉLÉPHONE OU TÉLÉGRAMME, DE LOCATION D'UN PRODUIT SIMILAIRE PENDANT LA DURÉE DES RÉPARATIONS SOUS GARANTIE, DE DÉPLACEMENT, DE PERTES OU DOMMAGES À DES BIENS PERSONNELS, DE MANQUE À GAGNER, DE PERTE D'USAGE DU PRODUIT, DE PERTE DE TEMPS OU DE DÉRANGEMENT. CERTAINS ÉTATS ET PROVINCES NE PERMETTANT L'EXCLUSION OU LA LIMITATION DES DOMMAGES DIRECTS OU INDIRECTS, LES RESTRICTIONS CI-DESSOUS PEUVENT NE PAS ÊTRE APPLICABLES.

Cette garantie donne au consommateur des droits spécifiques, et celui-ci peut bénéficier d'autres droits, qui varient selon les états ou provinces.

Cette garantie couvre tous les produits d'extérieur RYOBI® fabriqués par Techtronic Industries North America, Inc., vendus aux États-Unis et au Canada.

Pour obtenir l'adresse du centre de réparations Ryobi agréé le plus proche, appeler le 1-800-860-4050.

GARANTIE

L'ÉNONCÉ DE CALIFORNIA AIR RESOURCES BOARD (CARB) QUI SUIT, S'APPLIQUE SEULEMENT AUX NUMÉROS DE MODÈLES QUI DOIVENT SE CONFORMER AUX EXIGENCES DE CARB.

TECHTRONIC INDUSTRIES NORTH AMERICA, INC. DÉCLARATION DE GARANTIE LIMITÉE SYSTÈMES DE CONTRÔLE DES ÉMISSIONS POUR LES ÉTATS-UNIS ET LA CALIFORNIE. PETITS MOTEURS NON ROUTIERS ET HORS ROUTE VOS DROITS ET RESPONSABILITÉS EN VERTU DE CETTE GARANTIE

L'U.S. Environmental Protection Agency (EPA), le California Air Resources Board (CARB) et Techtronic Industries North America, Inc. se font un plaisir de vous expliquer la garantie de conformité du système antipollution de votre petit moteur non routier ou hors-route, modèle 2010. En Californie, l'équipement neuf qui utilise les moteurs non routiers ou hors-route, doit être conçu, construit et équipé conformément aux strictes réglementations sur l'antipollution de cet État. Dans d'autres États, les moteurs non routiers modèles 2000 et ultérieurs doivent être conçus, construits et équipés au moment de la vente de façon à être conformes aux réglementations sur l'antipollution issues par l'EPA (agence de protection de l'environnement américaine) pour les petits moteurs non routiers. Le moteur non routier doit être exempt sur les vices de matériaux et de fabrication entraînant la non conformité aux réglementations de l'EPA, pendant les trois premières années d'utilisation, à compter de la date de vente à l'acheteur d'origine. Techtronic Industries North America, Inc. doit garantir le système de contrôle des émissions de vos petits moteurs non routiers ou hors-route pour la période indiquée ci-dessus, à condition que ceux-ci n'aient pas fait l'objet d'un usage abusif ou d'un manque d'entretien.

Votre système de contrôle des émissions peut inclure des pièces telles que le carburateur ou le système d'injection de carburant, le système d'allumage, les convertisseurs catalytiques, les réservoirs de carburant, les valves, les filtres, les fixations, les connecteurs et d'autres composants connexes. Il peut également inclure les tuyaux, les courroies, les connecteurs et d'autres articles relatifs au système d'émissions.

Dans l'éventualité d'un problème couvert par la garantie, Techtronic Industries North America, Inc. s'engage à réparer gratuitement votre moteur non routier ou hors-route, ce qui comprend le diagnostic, les pièces et la main-d'œuvre, dans un centre de réparations agréé pour les produits de marque RYOBI®.

DURÉE DE LA GARANTIE DU FABRICANT

Le système de contrôle d'émissions pour ce produit est garanti pour trois ans. Si une pièce relative au système de contrôle d'émissions de votre moteur est défectueuse, elle sera réparée ou remplacée sans frais par Techtronic Industries North America, Inc.

RESPONSABILITÉS DU PROPRIÉTAIRE DANS LE CADRE DE LA GARANTIE

(a) En tant que propriétaire de ce petit moteur non routier ou hors-route, vous êtes tenu d'effectuer les entretiens indiqués dans le manuel d'utilisation. Techtronic Industries North America, Inc. recommande de conserver tous les reçus relatifs à l'entretien du petit moteur non routier ou hors-route, mais Techtronic Industries North America, Inc. ne peut pas refuser la couverture de la garantie pour l'unique raison du manque de reçus ou parce que vous avez omis d'effectuer tous les entretiens prévus. Des pièces et services assurant des performances et une durabilité équivalente peuvent être utilisées pour les entretiens et réparations non couverts par la garantie, sans que cela ne change les obligations de garantie de Techtronic Industries North America, Inc.

(b) Toutefois, en tant que propriétaire du petit moteur non routier ou hors-route, vous devez être averti que les réparations couvertes par la garantie peuvent être refusées par Techtronic Industries North America, Inc. si la défaillance de ce moteur ou d'une de ses pièces est due à un usage abusif, la négligence, un manque d'entretien ou des modifications non approuvées.

(c) Vous êtes tenu de confier votre petit moteur non routier ou hors-route à un centre de réparations agréé dès qu'un problème se présente. Les réparations sous garantie seront effectuées dans un délai raisonnable, ne dépassant pas 30 jours.

Si vous avez des questions concernant vos droits et responsabilités dans le cadre de la garantie, contactez un représentant de Techtronic Industries North America, Inc. au 1-800-860-4050.

COUVERTURE

(a) La période de la couverture commence à la date de livraison du moteur ou d'équipement à l'acheteur.

(b) Couverture générale de garantie antipollution. Techtronic Industries North America, Inc. garantit à l'acheteur d'origine, ainsi qu'à tous les propriétaires ultérieurs, que son petit moteur non routier ou hors-route est conçu, construit et équipé conformément à toutes les réglementations de California Air Resources Board ou United States Environmental Protection Agency en vigueur au moment de la vente et que son petit moteur non routier ou hors-route sera exempt de tous défauts de matériaux ou de fabrication causant une non conformité aux réglementations en vigueur, pour une période de trois ans après l'acquisition du moteur par l'acheteur d'origine.

(c) La garantie sur les pièces se rapportant au système de contrôle d'émissions sera interprétée comme suit: Toute pièce couverte par la garantie qui ne doit pas être remplacée selon le Calendrier d'entretien du système de contrôle d'émissions et selon la Liste de pièces garanties, lesquels sont conformément stipulés ci-dessous, est garantie pour la période de trois ans. Si une telle pièce (y compris les pièces qui doivent seulement être inspectées régulièrement) s'avère défectueuse, elle sera réparée ou remplacée gratuitement dans un centre de réparations agréé RYOBI®. Toute pièce réparée ou remplacée dans le cadre de cette garantie sera garantie pour le reste de la durée de la garantie. Un énoncé stipulant « réparez ou remplacez au besoin » ne réduirait pas la période de couverture de la garantie. Toute pièce qui doit être remplacée conformément au Calendrier d'entretien du système de contrôle

d'émissions et la Liste de pièces garanties est garantie pour la période de temps précédant le premier remplacement prévu pour cette pièce. Toute pièce de ce genre réparée ou remplacée dans le cadre de cette garantie est garantie pour le restant de la période qui précède la première échéance de remplacement, et elle sera réparée ou remplacée gratuitement dans un centre de réparations agréé RYOBI® jusqu'au moment où elle doit être remplacée.

Techtronic Industries North America, Inc. effectuera les réparations sous garantie dans un centre de réparations RYOBI® agréé ou chez un concessionnaire. Tout diagnostic effectué dans un centre de réparations RYOBI® agréé sera gratuit si le diagnostic aide à déterminer qu'une pièce couverte par la garantie est défectueuse. Des pièces approuvées par le fabricant ou équivalentes peuvent être utilisées pour tout entretien ou réparation sous garantie des pièces relatives au système de contrôle des émissions et doivent être fournies gratuitement au propriétaire si la pièce est toujours sous garantie. Techtronic Industries North America, Inc. est responsable des dommages au moteur causés par une pièce toujours couverte par la garantie.

Des ajouts ou des pièces modifiées qui ne sont pas exemptées par California Air Resource Board ne peuvent pas être utilisées. L'utilisation de toute pièce non-exemptée ou modifiée peut justifier le refus d'une réclamation au titre de la garantie. Techtronic Industries North America, Inc. ne sera pas responsable pour des dommages aux pièces sous garantie causés par l'utilisation d'une pièce non-exemptée ou modifiée.

Le California Air Resources Board a publié une liste de toutes les pièces de systèmes d'émissions couvertes par une garantie. (Bien que les réglementations de l'EPA n'incluent pas de liste, les pièces qu'elle considère comme devant être garanties sont indiquées ci-dessous.) Techtronic Industries North America, Inc., fournira tous les documents relatifs aux procédures et politiques se rapportant à sa garantie dans les cinq jours suivant une demande de California Air Resources Board.

LISTE DE PIÈCES DU SYSTÈME DE CONTRÔLE D'ÉMISSIONS

Les pièces du système de contrôle d'émissions varient dépendamment du produit. Votre garantie du système de contrôle d'émissions s'applique à tous les composants suivants qui peuvent faire partie de votre produit:

- (1) Système de contrôle d'alimentation en carburant
 - (i) Carburateur et les composants internes (et/ou régulateur de pression ou système d'alimentation par injection).
 - (ii) Système de contrôle de rapport air/carburant.
 - (iii) Système d'enrichissement pour démarrage à froid.
 - (iv) Réservoir de carburant.
- (2) Système d'admission d'air
 - (i) Système d'admission contrôlée d'air chaud.
 - (ii) Tubulure d'admission.
 - (iii) Filtre à air.
- (3) Système d'allumage
 - (i) Bougies d'allumage.
 - (ii) Système d'allumage magnéto-électrique.
 - (iii) Système d'avance/retard à l'allumage.
- (4) Système de recirculation des gaz d'échappement (RGE)
 - (i) Corps de vanne et l'espaceur du carburateur de RGE, si applicable.
 - (ii) Système de contrôle du taux de RGE.
- (5) Système d'injection d'air
 - (i) Pompe à air ou valve à impulsion.
 - (ii) Valves qui affectent la distribution d'écoulement.
 - (iii) Distributeur.
- (6) Catalyseur ou système de réacteur thermique
 - (i) Convertisseur catalytique.
 - (ii) Réacteur thermique.
 - (iii) Tubulure d'échappement.
- (7) Contrôles de particules
 - (i) Pièges, filtres, électrofiltres et tout autre dispositif utilisé pour capturer les émissions de particules.
- (8) Pièces diverses utilisées dans les systèmes énumérés ci-dessus
 - (i) Commandes électroniques.
 - (ii) Valves et interrupteurs sensibles au vide, à la température et au temps.
 - (iii) Tuyaux, courroies, connecteurs et modules.

Techtronic Industries North America, Inc. fournira au propriétaire des instructions d'entretien et d'utilisation écrites avec chaque nouveau moteur.

La période de conformité aux réglementations antipollution de l'autocollant de conformité d'émissions indique le nombre nominal d'heures de fonctionnement du moteur conformément aux réglementations du gouvernement fédéral américain. Catégorie C = 50 heures, B = 125 heures, A = 300 heures.

GARANTIE

CE PRODUIT A ÉTÉ ÉQUIPÉ EN USINE D'UN CONVERTISSEUR CATALYTIQUE

Félicitations ! Vous venez d'investir dans la protection de l'environnement. Pour maintenir le niveau d'émissions original de ce produit, voir la section Entretien ci-dessous.

PROGRAMME D'ENTRETIEN DU SYSTÈME D'ÉMISSIONS ET LISTE DES PIÈCES GARANTIES

Pièces du système	Inspecter avant chaque utilisation	Nettoyer toutes le 5 heures de fonctionnement	Remplacer toutes les 25 heures ou chaque année	Remplacer toutes les 25 heures ou chaque année	Reemplácelo cada 50 heures
CONJUNTO DE SILENCIADOR CATALÍTICO					X
FILTRE À AIR					
INCLUT :					
FILTRE ÉCRAN					X
ÉCRAN PARE-ÉTINCELLES					X
CARBURATEUR					
INCLUT :					
ÉCRAN THERMIQUE					X
JOINTS					X
RÉSERVOIR DE CARBURANT					
INCLUT :					
CONDUITES DE CARBURANT					X
BOUCHON DU RÉSERVOIR DE CARBURANT					X
FILTRE À CARBURANT					
ALLUMAGE					
INCLUT :					
BOUGIE					X
TOUTES LES PIÈCES RELATIVES AU SYSTÈME DE CONTRÔLE DES ÉMISSIONS SONT GARANTIES TROIS ANS OU POUR LA PÉRIODE ANTÉRIEURE AU PREMIER REMPLACEMENT PRÉVU, SELON LA PREMIÈRE ÉCHÉANCE.					



NOUS APPELER D'ABORD

Pour toute question concernant l'utilisation ou l'entretien utiliser ce produit, appeler le service d'assistance téléphonique Ryobi®!

Le soufflante/aspirateur à été entièrement testé avant expédition pour assurer la complète satisfaction de l'utilisateur.

REGLAS DE SEGURIDAD GENERALES



ADVERTENCIA:

LEA Y COMPRENDA TODAS LAS INSTRUCCIONES.

El incumplimiento de las instrucciones señaladas abajo puede causar descargas eléctricas, incendios y lesiones serias.

GUARDE ESTAS INSTRUCCIONES

- No permita que utilicen esta unidad niños ni personas carentes de la debida instrucción para su manejo.
- Nunca arranque ni accione el motor dentro de un área cerrada; la inhalación de las emanaciones del escape puede ser mortal.
- Siempre póngase protección ocular con la marca de cumplimiento de la norma ANSI Z87.1 junto con protección para los oídos. La inobservancia de esta advertencia puede permitir que los objetos lanzados hacia los ojos y otros provocar lesiones graves.
- Mantenga a todos los circunstantes, niños y animales por lo menos a 15 metros (50 pies) de distancia.
- Póngase pantalones, mangas largas, botas y guantes gruesos. No se ponga ropa holgada, pantalones cortos, sandales, joyería de ningún tipo ni ande descalzo.
- Para disminuir el riesgo de lesiones debido a la atracción de objetos hacia las piezas rotatorias, evite ponerse ropas holgadas, bufandas, cadenas para el cuello, etc.
- Recójase el cabello largo, de manera que le quede arriba del nivel de los hombros para evitar que se enrede en las piezas rotatorias.
- No use esta unidad cuando se encuentre fatigado, enfermo o bajo los efectos del alcohol, drogas o medicamentos.
- No utilice este producto si no hay luz suficiente.
- Mantenga todas las partes del cuerpo alejadas de toda pieza móvil y superficie caliente de la unidad.
- En condiciones polvorientas use una mascarilla de filtro para reducir el riesgo de lesiones producidas por la aspiración del polvo.
- Revise el área de trabajo cada vez antes de utilizar esta herramienta. Retire todos los objetos como piedras, vidrio roto, clavos, alambre o cuerda que puedan salir disparados o enredarse en la máquina.
- Mantenga los pies bien afirmados y el equilibrio. No trate de alcanzar demasiado lejos. Al tratar de hacerlo puede perder el equilibrio o exponerse al contacto con superficies calientes.
- Nunca utilice la unidad sin pantalla parachispas; esta pantalla está situada dentro del silenciador.
- Los usuarios del producto en las jurisdicciones del Servicio Forestal de los Estados Unidos, y en algunos estados, deben cumplir con los reglamentos de prevención de incendios. Este producto está equipado de un parachispas; no obstante es posible que el usuario deba cumplir otros requisitos. Consulte con las autoridades federales, estatales o locales del área donde se encuentre.
- Antes de guardar la unidad, deje que se enfríe el motor.
- Vacíe el tanque de combustible en un recipiente aprobado para gasolina y evite mover la unidad antes de transportarla en un vehículo.
- Para reducir el riesgo de incendio o de lesiones por quemadura, maneje con cuidado el combustible. Es sumamente inflamable.
- No fume mientras esté mezclando el combustible o reabasteciendo el tanque.
- Mezcle y guarde el combustible en un recipiente aprobado para gasolina.
- Mezcle el combustible al aire libre, donde no haya chispas ni llamas.
- Busque suelo raso para depositar la unidad, apague el motor, y permita que se enfríe antes de reabastecerlo de combustible.
- Afloje la tapa del tanque de combustible para aliviar la presión y para evitar que se escape combustible por la tapa.
- Después de reabastecer de combustible la unidad ponga la tapa y apriétela firmemente.
- Limpie todo el combustible que se haya derramado de la unidad. Aléjese por lo menos 9 m (30 pies) del sitio de reabastecimiento de combustible antes de encender el motor.
- Nunca intente en ninguna circunstancia eliminar el combustible derramado quemándolo.
- Sólo utilice piezas de repuesto idénticas y accesorios del fabricante original. El empleo de piezas diferentes puede causar un peligro o dañar el producto.
- Mantenga la unidad según las instrucciones de mantenimiento señaladas en este manual del operador.
- Inspeccione cada vez la unidad antes de usarla para ver si tiene tornillos flojos, fugas de combustible, etc. Reemplace toda pieza dañada.
- No la use sobre escaleras, techos, árboles u otro soporte inestable. Una base estable sobre una superficie sólida permite tener un mejor control de la sopladora en situaciones inesperadas.
- Antes de limpiar, reparar o inspeccionar la máquina, apague el motor y cerciórese de que se hayan detenido todas las partes en movimiento. Desconecte el cable de la bujía, y mantenga dicho cable alejado de la bujía para evitar el arranque de la unidad.
- Sólo personal de reparación calificado debe prestar servicio de la sopladora-aspiradora. Todo servicio o mantenimiento efectuado por personal no calificado puede significar un riesgo de lesiones al usuario, y de daños físicos al producto.

REGLAS DE SEGURIDAD ESPECÍFICAS




- Siempre sujete la sopladora/aspiradora con la mano derecha mientras esté en funcionamiento. Consulte las instrucciones de **OPERACIÓN** más adelante en este manual para conocer la posición adecuada durante el funcionamiento de la aspiradora y obtener información adicional.
- Nunca coloque objetos dentro de los tubos de la sopladora.
- Sólo utilice el producto de la forma indicada en este manual.
- No utilice la aspiradora sin el saco de la misma instalado; los desechos lanzados por la herramienta podrían causar lesiones serias. Siempre cierre completamente el saco de la aspiradora antes de utilizarla.
- Las hojas impulsoras giratorias pueden ocasionar lesiones graves. Detenga el motor y asegúrese de que las hojas impulsoras hayan dejado de girar antes de abrir la puerta de la aspiradora o de instalar o cambiar los tubos. No ponga la manos ni ningún objeto dentro de los tubos de la aspiradora mientras los instala en la unidad.
- Nunca utilice la unidad sin el equipo adecuado instalado. Cuando utilice la unidad como sopladora, siempre instale los tubos de soplado. Cuando utilice la unidad como aspiradora, siempre instale los tubos y el saco de aspiración. Asegúrese de que el saco de la aspiradora esté con el cierre completamente cerrado cuando esté funcionando la unidad para evitar que salgan desechos disparados.
- Evite situaciones que puedan prender fuego al saco de la aspiradora. No utilice la unidad cerca de llamas abiertas. No recoja con la aspiradora cenizas calientes de las chimeneas, parrillas para asar carne, pilas de broza, etc. No recoja con la aspiradora cigarrillos desechados a menos que las cenizas estén completamente apagadas.
- Nunca coloque el soplador en ninguna superficie, excepto que sea una superficie dura y limpia cuando el motor se encuentra en funcionamiento. Es posible que la entrada de aire recoja grava, arena y otros residuos y los arroje al operador o a los espectadores, lo que puede causar lesiones serias.
- Para reducir el riesgo de pérdida de oído causada por niveles de ruido elevados, se requiere ponerse protección auditiva.
- Para reducir el riesgo de lesiones causadas por tocar piezas giratorias, detenga el motor antes de montar o desmontar accesorios. Siempre desconecte la bujía antes de efectuar tareas de mantenimiento o de tocar piezas móviles.
- Nunca use el soplador cerca de fuego, fogones, cenizas calientes, parrilla de barbacoa etc. ya que podría causar que el fuego se propague.
- No apunte la boquilla de la sopladora hacia personas o mascotas.
- Nunca utilice la unidad sin el equipo adecuado instalado. Siempre asegúrese de instalar los tubos.

ABASTECIMIENTO DE COMBUSTIBLE









- El combustible es sumamente inflamable. Tenga precaución al utilizar la unidad con el fin de disminuir el riesgo de lesiones serias.
- Guarde la unidad en un lugar frío y bien ventilado, a una distancia segura de todo equipo generador de chispas o llamas.
- Guarde el combustible en recipientes diseñados específicamente para tal fin.
- Solamente reabastezca de combustible la unidad al aire libre y no fume durante el reabastecimiento.
- Reabastezca de combustible la unidad antes de arrancar el motor. Nunca retire la tapa del tanque de combustible ni lo reabastezca mientras esté encendida o caliente la unidad.
- No fume mientras esté mezclando el combustible o reabasteciendo el tanque.
- Mezcle y guarde el combustible en un recipiente aprobado para gasolina.
- Mezcle el combustible al aire libre, donde no haya chispas ni llamas.
- Afloje la tapa del tanque de combustible para aliviar la presión y para evitar que se escape combustible por la tapa.
- Después de reabastecer de combustible la unidad ponga la tapa y apriétela firmemente.
- Limpie todo el combustible que se haya derramado de la unidad. Aléjese por lo menos 9 metros (30 pies) del sitio de reabastecimiento de combustible antes de encender el motor.
- Nunca intente en ninguna circunstancia eliminar el combustible derramado quemándolo.
- Para reducir el riesgo de incendio o de lesiones por quemadura, maneje con cuidado el combustible. Es sumamente inflamable.
- Si se derrama combustible, no intente arrancar el motor; aleje la máquina del área del derramamiento y evite causar una fuente de ignición hasta que se disipen los vapores del combustible.
- Vuelva a colocar firmemente la tapa del tanque de combustible y la del recipiente.
- Vacíe el tanque de combustible en un contenedor apto para gasolina e inmovilice la unidad antes de transportarla en un vehículo.
- Al drenar el tanque de combustible, utilice un recipiente aprobado para combustible y hágalo en un lugar bien ventilado.
- Busque suelo raso para depositar la unidad, apague el motor, y permita que se enfríe antes de reabastecerlo de combustible.
- Guarde estas instrucciones. Consúltelas con frecuencia y empléelas para instruir a otras personas que puedan utilizar este producto. Si presta a alguien esta herramienta, facilítele también las instrucciones.

SÍMBOLOS

Las siguientes palabras de señalización y sus significados tienen el objeto de explicar los niveles de riesgo relacionados con este producto.

SÍMBOLO	SEÑAL	SIGNIFICADO
	PELIGRO:	Indica una situación peligrosa inminente, la cual, si no se evita, causará la muerte o lesiones serias.
	ADVERTENCIA:	Indica una situación peligrosa posible, la cual, si no se evita, podría causar la muerte o lesiones serias.
	PRECAUCIÓN:	Indica una situación potencialmente peligrosa la cual, si no se evita, puede causar lesiones leves o moderadas.
	PRECAUCIÓN:	(Sin el símbolo de alerta de seguridad) Indica una situación que puede producir daños materiales.

Es posible que se empleen en este producto algunos de los siguientes símbolos. Le suplicamos estudiarlos y aprender su significado para mayor seguridad al manejar este producto.

SÍMBOLO	NOMBRE	EXPLICACIÓN
	Símbolo de alerta de seguridad	Precauciones para su seguridad.
	Lea el manual del operador	Para reducir el riesgo de lesiones, el usuario debe leer y comprender el manual del operador antes de usar este producto.
	Póngase protección para los ojos y los oídos	Siempre póngase protección ocular con protección lateral con la marca de cumplimiento de la norma ANSI Z87.1 junto con protección auditiva.
	Puerta de aspiración	No utilice la unidad hasta mientras no esté asegurada la puerta de aspiración.
	Cabello largo	Riesgo de succión del cabello largo en la entrada de aire.
	Tubos de la sopladora	No utilice la unidad sin los tubos montados en su lugar.
	Ropa holgada	Riesgo de succión de la ropa holgada en la entrada de aire.
	Gasolina y lubricante	Use gasolina sin plomo destinada para vehículos con un octanaje de 87 [(R + M) / 2] o más. Este producto está accionado por un motor de dos tiempos y requiere el premezclado de gasolina y lubricante para motor de dos tiempos.

CARACTERÍSTICAS

ESPECIFICACIONES DEL PRODUCTO

Cilindrada del motor.....	26 cc
Velocidad del aire:	
*MPH	150
*Pies cúb./min.	400
Peso	4,3 kg (9,5 lb)

*Nominal por ANSI B175.2

FAMILIARÍCESE CON LA SOPLADORA /ASPIRADORA

Vea la figura 1.

Para usar este producto con la debida seguridad se debe comprender la información indicada en la herramienta misma y en este manual, y se debe comprender también el trabajo que intenta realizar. Antes de usar este producto, familiarícese con todas las características de funcionamiento y normas de seguridad del mismo.

TUBO Y BOQUILLAS DE LA SOPLADORA

El tubo de la sopladora pueden armarse y montarse sin necesidad de ninguna herramienta.

CONTROL DE CRUCERO / SEGURO DEL ACELERADOR

La característica de control de crucero / seguro del acelerador permite utilizar la sopladora sin necesidad de mantener oprimido el gatillo del acelerador. Para aminorar la marcha, simplemente empuje hacia adelante la palanca de control de crucero / seguro del acelerador.

MOTOR

La sopladora dispone de un potente motor de 26 cc con suficiente potencia para manejar hasta los trabajos de soplado y aspiración más pesados.

BOQUILLA PARA BARRER

La boquilla para barrer permite cubrir más área durante la operación de soplado.

GATILLO DEL ACELERADOR

La sopladora puede utilizarse a cualquier velocidad entre marcha lenta y máxima velocidad.

ASPIRADORA / TRITURADORA

Puede convertir la sopladora en una aspiradora/trituradora simplemente con un destornillador de cabeza plana.

SACO DE LA ASPIRADORA

El saco de la aspiradora se monta fácilmente en la sopladora mediante el adaptador correspondiente.

MANGO DE LA ASPIRADORA

Esta característica permite al usuario efectuar labores de limpieza con la aspiradora de cómoda.

TUBOS DE LA ASPIRADORA

Los tubos de la aspiradora pueden instalarse en la sopladora con un destornillador de cabeza plana.

HERRAMIENTAS NECESARIAS

Para armar la unidad necesitan el siguiente herramienta (no incluido o dibujado para escalar):

Vea la figura 1a.

- Destornillador de punta plana

ARMADO

DESEMPAQUETADO

Este producto requiere armarse.

- Extraiga cuidadosamente de la caja la producto y los accesorios. Asegúrese de que estén presentes todos los artículos enumerados en la lista de empaquetado.



ADVERTENCIA:

No utilice este producto si alguna pieza incluida en la lista de contenido ya está ensamblada al producto cuando lo desempaqueta. El fabricante no ensambla las piezas de esta lista en el producto. Éstas deben ser instaladas por el usuario. El uso de un producto que puede haber sido ensamblado de forma inadecuada podría causar lesiones personales graves.

ARMADO

- Inspeccione cuidadosamente la producto para asegurarse de que no haya sufrido ninguna rotura o daño durante el transporte.
- No deseche el material de empaquetado hasta que haya inspeccionado cuidadosamente la producto y la haya utilizado satisfactoriamente.
- Si hay piezas dañadas o faltantes, le suplicamos llamar al 1-800-860-4050, donde le brindaremos asistencia.

LISTA DE EMPAQUETADO

Sopladora

Tubo superior de la sopladora

Boquilla para barrer

Tubos superior e inferior de la aspiradora

Tornillos del tubo de la aspiradora (2)

Saco de la aspiradora

Adaptador del saco de la aspiradora

Lubricante para motor de dos tiempos

Manual del operador

NOTA: Lea y desprenda todas las etiquetas colgadas y guárdelas con el Manual del Operador.



ADVERTENCIA:

Si falta o está dañada alguna pieza, no utilice esta producto sin haber reemplazado la pieza. Usar este producto con partes dañadas o faltantes puede causar lesiones serias al operador.



ADVERTENCIA:

No intente modificar este producto ni hacer accesorios no recomendados para la misma. Cualquier alteración o modificación constituye maltrato el cual puede causar una condición peligrosa, y como consecuencia posibles lesiones corporales serias.



ADVERTENCIA:

Para evitar un arranque accidental que podría causar lesiones corporales graves, siempre desconecte el cable de la bujía del motor de la bujía misma al ensamblar las piezas.

MONTAJE DE LOS TUBOS DE LA SOPLADORA

Vea las figuras 2 y 3.

- Alinee las orejetas realzadas del alojamiento principal con las ranuras del tubo superior; únalas con un movimiento de deslizamiento y con un movimiento de torsión déjelas bien aseguradas. Verifique el apriete después de una utilización inicial y efectúe un apriete adicional si es necesario.
- Para conectar la boquilla para barrer al tubo superior de la sopladora, alinee las orejetas realzadas del tubo superior de la sopladora, luego deslícelas al mismo tiempo y gírelas para ajustarlas. Revise el ajuste luego del uso inicial y vuelva a ajustar si es necesario.

- Para retirar los tubos, gírelos para destrabarlos y retírelos de la salida del alojamiento de la sopladora.

INSTALACIÓN DEL SACO DE LA ASPIRADORA

Vea las figuras 4 y 5.

- Para quitar el tubo superior y la boquilla de la sopladora, gírelas y quítelas de la salida del armazón de la sopladora.
- Descorra el cierre del saco de la aspiradora y coloque el adaptador del saco en el interior, como se muestra. Empuje el adaptador del saco de la aspiradora a través de la abertura opuesta a la cremallera. El extremo más ancho del adaptador permanecerá en el interior del saco de la aspiradora si se instala correctamente
- Alinee las ranuras realzadas del adaptador del saco con las orejetas de aseguramiento de la salida del alojamiento de la sopladora; empuje el adaptador hacia adentro del alojamiento. Con un giro asegure la pieza en su lugar.
- Gire el saco de la aspiradora hasta que quede hacia arriba la correa para el hombro.
- Asegúrese de que esté corrido y cerrado el cierre del saco de la aspiradora antes de arrancar la unidad.

INSTALACIÓN DE LOS TUBOS DE LA ASPIRADORA

Vea las figuras 6 y 7.



ADVERTENCIA:

Contacto de las aspas del propulsor giratorio pueden causar lesiones serias. Siempre detenga el motor y garantiza que las hojas giratorias han dejado de girar. antes de abrir la puerta de la aspiradora o de instalar o cambiar los tubos. No ponga la manos ni ningún objeto dentro de los tubos de la aspiradora mientras los instala en la unidad.

Para instalar los tubos de la aspiradora:

- Asegure los tubos superior e inferior de la aspiradora; para ello, alinee las orejetas de aseguramiento con las ranuras realzadas.
- Golpee levemente en el suelo el conjunto de los tubos hasta que los agujeros del tubo inferior estén en la ranura realzada del tubo superior. Asegúrelos con los tornillos suministrados.
- Oprima la orejeta de la puerta con un destornillador de cabeza plana y abra la puerta de entrada de la aspiradora.
- Alinee los tornillos montados en la apertura de la aspiradora con los tornillos ubicados en el conjunto del tubo de la aspiradora.
- Gire derecho, apriete el tornillo en el tubo superior de la aspiradora para asegurar a la caja del soplador.

Para desmontar los tubos de la aspiradora:

- Para aflojar los tornillos del tubo superior de la aspiradora, gírelos a la izquierda.
- Retire del alojamiento de la sopladora el conjunto los tubos de la aspiradora.
- Cierre firmemente la puerta de la entrada.

FUNCIONAMIENTO

ADVERTENCIA:

No permita que su familiarización con este producto lo vuelva descuidado. Tenga presente que un descuido de un instante es suficiente para causar una lesión grave.

ADVERTENCIA:

Siempre póngase protección ocular con protección lateral con la marca de cumplimiento de la norma ANSI Z87.1 junto con protección auditiva. Si no cumple esta advertencia, los objetos que salen despedidos pueden producirle lesiones serias en los ojos.

APLICACIONES

Este producto puede emplearse para los fines enumerados abajo:

- Recoger hojas y otros desechos del jardín
- Recoger hojas y otros desechos en terrazas y caminos de entrada
- Hojas que limpian con la aspiradora de su césped

MEZCLADO DEL COMBUSTIBLE

Este producto está accionado por un motor de dos tiempos y requiere el premezclado de gasolina y aceite para motor de dos tiempos. La mezcla debe ser en una proporción de 50:1.

NOTA: Recomendamos utilizar ÚNICAMENTE Ryobi (mezcla exacto) en su producto.

Para mezclar el combustible:

- Utilice un recipiente limpio aprobado para gasolina.
- Mezcle en el recipiente el aceite para motor de dos tiempos suministrado con gasolina sin plomo, según las instrucciones señaladas en el envase del aceite.

Este motor está certificado para funcionar con gasolina sin plomo para vehículos con un octanaje de 87 [(R + M) / 2] o más. No use aceite para vehículos o para motores fuera de borda de 2 tiempos.

NOTA: La mezcla de combustible y aceite permanece fresca hasta 30 días. NO mezcle más producto del que pueda utilizar en un período de 30 días.

La mezcla de combustible y aceite (50:1)



COMBUSTIBLE

1 gallon (US)

1 liter

ACEITE

2,6 oz.

20 cc (20 ml)

LLENADO DEL TANQUE

- Limpie la superficie situada alrededor de la tapa del combustible para evitar la contaminación del mismo.
- Afloje lentamente la tapa del tanque de combustible girándola hacia la izquierda.
- Vierta la mezcla de combustible en el tanque.
- Antes de volver a colocar la tapa del tanque de combustible, limpie e inspeccione la junta de dicha tapa.

- Vuelva a colocar la tapa del tanque de la gasolina y apriétela firmemente girándola hacia la derecha.
- Limpie todo el combustible que se haya derramado del producto.
- Aléjese por lo menos 9 metros (30 pies) del sitio de reabastecimiento de combustible antes de encender la unidad.

NOTA: Es normal que salga humo de un motor nuevo al usarlo por primera vez.

ADVERTENCIA:

Siempre apague el motor antes de llenar el depósito de combustible. Nunca agregue combustible a una máquina con el motor caliente o en funcionamiento. Aléjese al menos 9 metros (30 pies) del sitio de carga de combustible antes de poner en marcha el motor. No fume y permanezca alejado de las llamas expuestas y las chispas. La manipulación insegura del combustible puede producir lesiones graves.

COMBUSTIBLES OXIGENADOS

NO USE COMBUSTIBLE E85. ANULARÁ SU GARANTÍA.

NOTA: No están cubiertos en la garantía los problemas de desempeño o daños al sistema de combustible producidos por el uso de un combustible oxigenado con un contenido superior a los porcentajes de alcohol o compuesto de éter **señalados anteriormente.**

Ethanol. Las gasolinas con un contenido de 10% de etanol por volumen (comunmente conocida como E10) o 15% de etanol por volumen (comunmente conocida como E15) son aceptables. **La E85 no lo es.**

ARRANQUE Y APAGADO


Vea la figura 8.

Para el arranque debe colocarse la sopladora en una superficie plana y despejada.

- Presione lentamente 10 veces la bomba de cebado.
NOTA: Luego de la 10ª vez que oprima, se debe ver el combustible en la bomba de cebado. Si esto no sucede, continúe presionando el cebador hasta que vea combustible en la bomba.
- Coloque la palanca del anegador en la posición **FULL CHOKE** (anegación máxima).
- Bloquee el control de crucero / seguro del acelerador.
- Tire enérgicamente del mango del arrancador y cuerda hasta que el motor intente arrancar. No tire de la mango del arrancador y cuerda más de cuatro (4) veces.
- Coloque la palanca del anegador en la posición **HALF CHOKE** (anegación media).
- Tire de la mango del arrancador y cuerda hasta que empiece a funcionar el motor.
NOTA: Si el motor no arranca, vuelva a la palanca del anegador en la posición **FULL CHOKE** y repita los siguientes pasos. (O bloquee la palanca del acelerador.)
- Permita que el motor funcione 15 segundos y después ponga la palanca del anegador en la posición **RUN** (funcionamiento).

FUNCIONAMIENTO

PARA PARADA EL MOTOR:

- Presione y sostenga el interruptor de parada  hasta que se detenga el motor.

CALIENTE REINICIA EL MOTOR:

- Coloque la palanca del anegador en la posición **RUN**.
- Bloquee el control de crucero / seguro del acelerador.
- **TIRE** de la mango del arrancador y cuerda hasta que arranque el motor.

SI NECESITA ASISTENCIA PARA EL ARRANQUE ESTE PRODUCTO:

No devuelva este producto a la tienda donde fue adquirido. Por favor llame al Departamento de Atención al Cliente para todo problema que pueda tener.

Si necesita asistencia llame al: 1-800-860-4050

MANEJO DE LA SOPLADORA

Vea las figuras 9 y 10.



ADVERTENCIA:

Nunca ponga a funcionar la unidad sin tener instalados los tubos o cerrada firmemente la puerta de aspiración. El uso de una unidad mal armada puede causar lesiones personales graves.

- Encienda la sopladora. Consulte el apartado **arranque y apagado**, más arriba en este manual. Sujete la sopladora con el mango superior en la mano derecha.



ADVERTENCIA:

Manténgase alejado de la sopladora siempre y opérela con el mango en la mano derecha cuando la utilice como sopladora, manteniendo un espacio libre entre su cuerpo y el producto. El lateral del silenciador de la sopladora siempre debe estar alejado de su cuerpo. Cualquier tipo de contacto con el alojamiento puede causar quemaduras u otras lesiones corporales graves.



ADVERTENCIA:

No coloque la sopladora sobre residuos o grava suelta. Los residuos pueden ser succionados hacia el interior de las rejillas de ventilación de la entrada de aire de la unidad y pueden provocar daños y lesiones corporales graves.

- Para evitar la dispersión de los desechos, apunte la sopladora hacia los bordes exteriores de un apilamiento de desechos. Nunca apunte la sopladora directamente al centro de una pila de desechos.
- Solamente utilice equipo motorizado a horas razonables, ni temprano en la mañana ni tarde en la noche, cuando podría molestar a otras personas. Cumpla con los horarios establecidos en los reglamentos de la localidad.
- Para reducir el nivel de ruido, limite a uno el número de equipos utilizados a la vez.

- Conserve agua utilizando sopladores motorizados en lugar de mangueras para numerosos usos de jardinería, incluso para canalones, pantallas, patios, parrillas, porches y jardines.
- Utilice la sopladora a la velocidad menor posible del acelerador requerida para efectuar el trabajo.
- Revise el equipo antes de utilizarlo, especialmente el silenciador, así como las entradas y filtros de aire.
- Utilice rastrillos y escobas para aflojar los desechos antes de utilizar la sopladora.
- En condiciones polvorientas, cuando haya agua disponible, humedezca levemente las superficies.
- Esté al pendiente de niños, mascotas, ventanas abiertas o coches recién lavados, y sople la basura de manera segura.
- Mantenga la sopladora como se muestra en la figura 9 para que el chorro de aire pueda trabajar cerca del suelo.
- Después de utilizar sopladores o cualquier otro equipo, ¡LIMPIE! Deshágase de los desechos correctamente.
- Utilice la boquilla para barrer de la sopladora para tareas diarias de soplado. Esta boquilla permite cubrir más área durante la operación de soplado.

CONTROL DE CRUCERO

Vea la figura 11.

El control de crucero permite utilizar la sopladora sin tener oprimido el gatillo del acelerador.

Para accionar el control de crucero:

- Tire hacia usted de la palanca de control de crucero y déjese en la marca deseada del acelerador.
- Para quitar el control de crucero, empuje la palanca del mismo totalmente hacia la parte frontal de la unidad.

MANEJO DE LA ASPIRADORA

Vea la figura 12.



ADVERTENCIA:

Nunca utilice la unidad sin los tubos de la aspiradora, saco de la aspiradora y mango de la aspiradora instalados. El uso de una unidad mal armada puede causar lesiones personales graves.



ADVERTENCIA:

Mantenga el silenciador y todas las superficies calientes de la sopladora/aspiradora alejadas del cuerpo. La inobservancia de este punto puede causar lesiones graves.

- Instale los tubos y el saco de la aspiradora. Consulte los apartados **ARMADO**, más arriba en este manual.
- Encienda la sopladora. Consulte el apartado **Arranque y apagado**, más arriba en este manual.
- Colóquese la correa del saco de la aspiradora en el hombro derecho. Sujete el mango superior con la mano izquierda y el mango de la aspiradora con la mano derecha.

FUNCIONAMIENTO

- Mueva la sopladora-aspiradora de un lado a otro a lo largo del borde exterior de los desechos. Para evitar un taponamiento, no coloque el tubo de la aspiradora directamente dentro de la pila de desechos.
- Mantenga el motor a una altura superior a la del extremo de entrada del tubo de la aspiradora.
- Siempre apunte el tubo de la aspiradora pendiente abajo al trabajar en una colina.
- Para evitar lesiones corporales serias o dañar la unidad, no recoja piedras, de metal, vidrio roto, botellas u objetos similares.
- Si se tapan los tubos de la aspiradora, pare el motor, s'assurer que l'aubage de la roue a cessé de tourner, y desconecte el cable de la bujía antes de despejar la obstrucción.
- Retire de la sopladora los tubos de la aspiradora y retire los desechos del alojamiento de la hélice. Retire el saco y limpie el tubo. Puede ser necesario una vara pequeña o un palo par limpiar el tubo en toda su longitud. Asegúrese de haber retirado todos los desechos antes de volver a montar los tubos de la aspiradora.

MANTENIMIENTO

ADVERTENCIA:

Al dar servicio a la unidad, sólo utilice piezas de repuesto idénticas. El empleo de piezas diferentes puede causar un peligro o dañar el producto.

ADVERTENCIA:

Siempre póngase protección ocular con la marca de cumplimiento de la norma ANSI Z87.1 junto con protección para los oídos. La inobservancia de esta advertencia puede permitir que los objetos lanzados hacia los ojos y otros provocarle lesiones graves.

ADVERTENCIA:

Antes de inspeccionar, limpiar o dar servicio a la máquina, apague el motor, espere a que se detengan todas las piezas en movimiento, desconecte el cable de la bujía y aléjelo de ésta. El incumplimiento de cualquiera de estas instrucciones puede causar lesiones serias.

MANTENIMIENTO GENERAL

Evite el empleo de solventes al limpiar piezas de plástico. La mayoría de los plásticos son susceptibles a diferentes tipos de solventes comerciales y pueden resultar dañados. Utilice paños limpios para eliminar la suciedad, el polvo, el lubricante, la grasa, etc.

ADVERTENCIA:

No permita en ningún momento que fluidos para frenos, gasolina, productos a base de petróleo, lubricantes penetrantes, etc., lleguen a tocar las piezas de plástico. Las sustancias químicas pueden dañar, debilitar o destruir el plástico, lo cual a su vez puede producir lesiones corporales serias.

A menudo, usted puede efectuar los ajustes y reparaciones descritos aquí. Para otro tipo de reparaciones, lleve la sopladora/aspiradora a un establecimiento de servicio autorizado.

LIMPIEZA LA FILTRO DE AIRE

Vea la figuras 13 y 14.

Para obtener un desempeño apropiado y una larga vida útil de la unidad, mantenga limpio el filtro de aire.

- Para retirar la tapa del filtro de aire, gire el selector hacia la izquierda mientras tira suavemente la tapa.
- Enjuague el filtro con agua limpia.
- Oprima suavemente el filtro hasta quitar el exceso de agua. Reemplace el filtro.
- Coloque la tapa del filtro de aire nuevamente en la unidad. Gire el selector hacia la izquierda hasta asegurar la tapa.

LIMPIEZA DEL ORIFICIO DE ESCAPE, DEL SILENCIADOR Y PARACHISPAS

NOTA: Dependiendo del tipo de combustible utilizado, el tipo y la cantidad de lubricante utilizado, o las condiciones de funcionamiento en particular, la abertura de escape, el silenciador y/o el parachispas pueden resultar obstruidos con depósitos de carbón. Si observa alguna pérdida de potencia en su herramienta con motor de gasolina, quizá sea necesario eliminar dichos depósitos para restaurar el rendimiento. Recomendamos enfáticamente que este servicio lo realicen únicamente los técnicos de servicio calificados.

Es necesario limpiar o reemplazar el parachispas cada 50 horas o anualmente para asegurarse del buen funcionamiento de la unidad. Los parachispas pueden estar instalados en diferentes posiciones dependiendo del modelo del cual se trate. Comuníquese con el establecimiento de servicio más cercano para confirmar la ubicación del parachispas para su modelo específico.

ADVERTENCIA:

Nunca utilice la sopladora sin el parachispas montado en su lugar. De lo contrario puede producirse un incendio, con el consiguiente riesgo de lesiones serias.

MANTENIMIENTO

SACO DE LA ASPIRADORA

Si se ensucia el saco se reduce el rendimiento de la unidad. Para limpiar el saco, vuélvalo al revés y sacúdalo. Limpie el saco en agua jabonosa por lo menos una vez al año. Para obtener un saco de repuesto, vea **Servicio** en la página posterior de este manual.

TAPA DEL TANQUE DE COMBUSTIBLE



ADVERTENCIA:

Revise la herramienta para ver si tiene fugas de combustible. Una tapa del tanque de combustible con fugas constituye un riesgo de incendio y debe reemplazarse inmediatamente. Si encuentra fugas, corrija el problema antes de utilizar la herramienta. De lo contrario puede producirse un incendio, con el consiguiente riesgo de lesiones serias.

La tapa del tanque de combustible contiene un filtro que no necesita mantenimiento y una válvula de retención. Un filtro de combustible obstruido puede causar un desempeño deficiente del motor. Si mejora el desempeño al aflojar

la tapa del tanque de combustible, es posible que esté defectuosa la válvula de retención o quizá esté obstruido el filtro. Reemplace la tapa del tanque de combustible si es necesario.

REEMPLAZO DE LA BUJÍA

En este motor se emplea una bujía Ryobi AC00160 o Champion RCJ-6Y con una separación interelectrónica de 0,63 mm (0,025 pulg.). Utilice un repuesto idéntico y cámbielo anualmente.

ALMACENAMIENTO DE LA PRODUCTO

- Limpie todo material extraño de la producto. Almacene la unidad en un espacio bien ventilado inaccesible a los niños. Evite que la unidad entre en contacto con agentes corrosivos como las sustancias químicas para el jardín y las sales para derretir el hielo.
- Cumpla todos los reglamentos federales y municipales para el almacenamiento y manejo seguro de la gasolina.

Al almacenar 1 mes o más:

- Drene todo el combustible del tanque en un recipiente de uso aprobado para gasolina. Accione el motor hasta que se apague.

SOLUCIÓN DE PROBLEMAS

SI CON ESTAS SOLUCIONES NO SE RESUELVE EL PROBLEMA, COMUNÍQUESE CON EL ESTABLECIMIENTO DE SERVICIO AUTORIZADO DE SU PREFERENCIA.

PROBLEMA	CAUSA	SOLUCIÓN
El motor no arranca.	No hay combustible en el tanque. Falló o tiene corto la bujía. Se rompió la bujía (se rajó la porcelana o se rompieron los electrodos). El cable de ignición tiene corto, está roto o desconectado de la bujía. El sistema de ignición no funciona.	Llene el tanque. Reemplace la bujía. Reemplace la bujía. Reemplace el cable de ignición o conéctelo a la bujía. Comuníquese con un centro de servicio autorizado.
Cuesta trabajo arrancar el motor.	Hay agua en la gasolina o está descompuesta la mezcla de combustible. Hay demasiado lubricante en la mezcla de combustible. El anegador está demasiado abierto o cerrado. Está débil la chispa de la bujía.	Drene todo el sistema y reabastézcalo de combustible fresco. Vacíe el sistema y reabastézcalo de la mezcla correcta. Ajuste el anegador según sea necesario. Comuníquese con un centro de servicio autorizado.
Le falta potencia al motor	Está tapado el filtro de aire.	Limpie el filtro de aire. Consulte la sección Limpieza del filtro de aire previamente en este manual.
El motor se recalienta.	No hay suficiente lubricante en la mezcla de combustible.	Mezcle el combustible como se describe en las instrucciones de arranque.

GARANTÍA

DECLARACIÓN DE LA GARANTÍA LIMITADA

Techtronic Industries North America, Inc. garantiza al comprador original al menudeo que este producto de la marca RYOBI® carece de defectos en los materiales y en la mano de obra, y acuerda reparar o reemplazar, a la sola discreción de Techtronic Industries North America, Inc., cualquier producto defectuoso, sin cargo alguno al comprador, dentro de los siguientes períodos de tiempo a partir de la fecha de compra.

- Tres años si los productos se emplean para uso personal, familiar o casero;
- 90 días si el producto se emplea para cualquier otro propósito, como el uso comercial o el de alquiler.

Esta garantía se otorga solamente al comprador original al menudeo, y comienza en la fecha de la compra original al menudeo.

Cualquier parte de este producto Techtronic Industries North America, Inc. que, a juicio razonable de la compañía, tenga defectos en los materiales o en la mano de obra, será reparado o reemplazado por un centro de servicio autorizado de herramientas para uso en el exterior de la marca RYOBI®, sin cargo alguno al comprador por concepto de piezas y mano de obra (Centro de Servicio Autorizado Ryobi).

El producto, incluida toda pieza defectuosa, debe enviarse a un centro de servicio autorizado Ryobi dentro del período de la garantía. El gasto de enviar el producto al centro de servicio para cualquier trabajo cubierto por la garantía, así como el gasto de devolverlo al propietario después de la reparación, correrán por cuenta del propietario. La responsabilidad de Techtronic Industries North America, Inc. con respecto a todo reclamo se limita a las reparaciones o reemplazo del producto, y ningún reclamo de incumplimiento de la garantía será causante de la cancelación o rescisión del contrato de venta de ninguna herramienta de uso en el exterior de la marca RYOBI®. En el establecimiento se requerirá el recibo de compra para respaldar cualquier reclamo al amparo de la garantía. Todo trabajo cubierto en la garantía debe ser realizado por un concesionario de servicio autorizado.

Esta garantía se limita a noventa (90) días a partir de la fecha original de la compra de cualquier herramienta de uso en el exterior de la marca RYOBI® empleada para propósitos comerciales o de alquiler, o cualquier otro propósito generador de ingresos.

Esta garantía no cubre ningún producto que haya sido sujeto a un uso indebido, maltrato, negligencia o accidente, o que haya sido utilizado de cualquier forma contraria a las instrucciones de manejo especificadas en el manual del operador del producto. Esta garantía no aplica a ningún daño en el producto que resulte de un mantenimiento indebido ni a ningún producto que haya sido alterado o modificado. La garantía no cubre ninguna reparación necesaria por el uso normal ni por el uso de piezas o accesorios que sean incompatibles con la herramienta para uso exterior de la marca RYOBI®, o afecten de forma desfavorable su funcionamiento, desempeño o durabilidad.

Además, esta garantía no cubre:

A. Afinación – Bujías, carburador, ajustes del carburador, encendido, filtros

B. Artículos sujetos a desgaste – Perillas de tope, carretes exteriores, hilos de corte, carretes interiores, poleas del arrancador, cuerdas del arrancador, correas de transmisión, aspas, arandelas de fieltro y pasadores de enganche, hojas de triturar, ventiladores de sopladoras, tubos de sopladoras y de aspiradoras, sacos y correas de aspiradoras, barras guía y cadenas de sierras

Techtronic Industries North America, Inc. se reserva el derecho a cambiar o mejorar el diseño de cualquier herramienta para uso en el exterior de la marca RYOBI® sin asumir ninguna obligación de modificar ningún producto fabricado previamente.

TODAS LAS GARANTÍAS IMPLÍCITAS ESTÁN LIMITADAS EN DURACIÓN SEGÚN EL PERÍODO DE GARANTÍA DECLARADA. POR CONSIGUIENTE, CUALQUIER GARANTÍA IMPLÍCITA, INCLUSO LAS DE COMERCIABILIDAD, IDONEIDAD PARA UN PROPÓSITO EN PARTICULAR, O DE CUALQUIER TIPO, PIERDEN TOTALMENTE SU VALIDEZ DESPUÉS DEL VENCIMIENTO DEL PERÍODO DE GARANTÍA CORRESPONDIENTE DE DOS AÑOS, UN AÑO O NOVENTA DÍAS. DE CONFORMIDAD CON ESTA GARANTÍA, LA OBLIGACIÓN DE TECHTRONIC INDUSTRIES NORTH AMERICA, INC. SE LIMITA ESTRUCTURAL Y EXCLUSIVAMENTE A LA REPARACIÓN O REPLAZO DE LAS PIEZAS DEFECTUOSAS, Y TECHTRONIC INDUSTRIES NORTH AMERICA, INC. NO ASUME NINGUNA OTRA OBLIGACIÓN, NI AUTORIZA A NADIE ASUMIRLA A NOMBRE DE DICHA COMPAÑÍA. ALGUNOS ESTADOS NO PERMITEN LIMITACIONES EN CUANTO A LA DURACIÓN DE UNA GARANTÍA IMPLÍCITA, POR LO CUAL ES POSIBLE QUE LA LIMITACIÓN ANTERIOR NO SE APLIQUE EN EL CASO DE USTED. TECHTRONIC INDUSTRIES NORTH AMERICA, INC. NO ASUME NINGUNA RESPONSABILIDAD POR DAÑOS DIRECTOS, INDIRECTOS O DE NINGÚN OTRO TIPO, COMO EL GASTO DE ENVIAR EL PRODUCTO A UN CENTRO DE SERVICIO AUTORIZADO RYOBI Y EL GASTO DE ENVIARLO DE ALLÍ AL PROPIETARIO, EL TIEMPO DE VIAJE DEL MECÁNICO, CARGOS TELEFÓNICOS O TELEGRÁFICOS, ALQUILER DE UN PRODUCTO SUSTITUTO DURANTE EL TIEMPO DE REALIZACIÓN DEL SERVICIO DE LA GARANTÍA, VIAJES, PÉRDIDA O DAÑOS A OBJETOS DE PROPIEDAD PERSONAL, PÉRDIDA DE INGRESOS, PÉRDIDA DEL USO DEL PRODUCTO, PÉRDIDA DE TIEMPO O INCONVENIENTES. EN ALGUNOS ESTADOS NO SE PERMITE LA EXCLUSIÓN O LIMITACIÓN DE DAÑOS DIRECTOS O INDIRECTOS, POR LO CUAL ES POSIBLE QUE LA LIMITACIÓN O EXCLUSIÓN DESCRITA ARRIBA NO SE APLIQUE EN SU CASO.

Esta garantía le confiere derechos legales específicos, y es posible que usted goce de otros derechos, los cuales pueden variar de estado a estado.

Esta garantía se aplica a todas las herramientas para uso en el exterior de la marca RYOBI® fabricadas por Techtronic Industries North America, Inc. y vendidos en Estados Unidos y Canadá.

Para encontrar el centro de servicio autorizado Ryobi más cercano a usted, llame al 1-800-860-4050.

GARANTÍA

LA SIGUIENTE DECLARACIÓN DE LA OFICINA DE RECURSOS ATMOSFÉRICOS DE CALIFORNIA (CARB) SE APLICA SÓLO A LOS MODELOS OBLIGADOS A CUMPLIR CON LOS REQUISITOS DE DICHO ORGANISMO.

DECLARACIÓN DE GARANTÍA LIMITADA DE TECHTRONIC INDUSTRIES NORTH AMERICA, INC. Y REGULACIONES FEDERALES Y DEL ESTADO DE CALIFORNIA EN RELACIÓN CON LOS SISTEMAS DE CONTROL DE EMISIONES DE MOTORES NO VEHICULARES Y DE MOTORES PEQUEÑOS PARA USO FUERA DE CARRETERAS

DERECHOS Y OBLIGACIONES DEL CONSUMIDOR SEGÚN LA GARANTÍA

La Dirección de Protección Ambiental (EPA) de EE.UU., la Oficina de Recursos Atmosféricos de California (CARB) y Techtronic Industries North America, Inc. tienen el placer de explicar la Garantía del Sistema de Control de Emisiones de su motor no vehicular o motor pequeño para uso fuera de carreteras modelo 2010. En California, los equipos nuevos que usen motores pequeños para uso fuera de carreteras deben diseñarse, fabricarse y equiparse de manera que cumplan con las rigurosas normas estatales contra la contaminación del aire. En otros estados, los motores nuevos no vehiculares fabricados en el año 2000 y en años posteriores deben estar diseñados, fabricados y equipados, al momento de la venta, para cumplir las normas de la EPA de EE.UU. para motores pequeños para uso fuera de carreteras. El motor no vehicular debe carecer de defectos en los materiales y en la mano de obra que puedan causar el incumplimiento de las normas de la EPA de EE.UU. durante los primeros tres años de uso del motor a partir de la fecha de venta al comprador final. Techtronic Industries North America, Inc. debe garantizar el sistema de control de emisiones de su motor no vehicular o motor pequeño para uso fuera de carreteras por el período señalado arriba, siempre y cuando dicho motor no haya sido sujeto a uso indebido, negligencia o mantenimiento inadecuado.

Es posible que el sistema de control de emisiones incluya piezas como el carburador o el sistema de inyección de combustible, el sistema de encendido, convertidores catalíticos, tanques de combustible, válvulas, filtros, abrazaderas, conectores y otros componentes relacionados. También puede incluir mangueras, correas y conectores, además de otros ensamblajes relacionados con el control de emisiones.

Donde exista una condición amparable en la garantía, Techtronic Industries North America, Inc. reparará su motor no vehicular o motor pequeño para uso fuera de carreteras sin ningún cargo a usted, incluyendo el diagnóstico, las piezas de repuesto y la mano de obra si el trabajo se efectúa en un centro de servicio autorizado de productos para uso en el exterior de la marca RYOBI®.

COBERTURA DE LA GARANTÍA DEL FABRICANTE:

El sistema de control de emisiones de este producto está garantizado por tres años. Si está defectuosa cualquier pieza del motor relacionada con el control de emisiones, Techtronic Industries North America, Inc. la reparará o la reemplazará, sin cargo al consumidor.

RESPONSABILIDADES DEL PROPIETARIO EN RELACIÓN CON LA GARANTÍA

(a) Como propietario del motor no vehicular o motor pequeño para uso fuera de carreteras, usted es responsable de la realización del mantenimiento necesario indicado en el manual del operador. Techtronic Industries North America, Inc. le recomienda conservar todos los recibos de mantenimiento de su motor no vehicular o motor pequeño para uso fuera de carreteras; no obstante, Techtronic Industries North America, Inc. no puede negar la cobertura de la garantía únicamente por la carencia de recibos o por no asegurarse el propietario de la realización de todo el mantenimiento programado. Se pueden usar piezas de repuesto o servicios equivalentes en rendimiento y durabilidad en las tareas de mantenimiento o reparación no amparadas por la garantía, sin que se reduzcan las obligaciones de Techtronic Industries North America, Inc. amparadas por esta garantía.

(b) Sin embargo, como propietario de un motor no vehicular o motor pequeño para uso fuera de carreteras, usted debe saber que Techtronic Industries North America, Inc. puede negarle la cobertura de la garantía si dicho motor o una parte del mismo ha fallado debido a uso indebido, negligencia, mantenimiento inadecuado o modificaciones no autorizadas.

(c) Usted es responsable de presentar su motor no vehicular o motor pequeño para uso fuera de carreteras en un establecimiento de servicio autorizado tan pronto como surja el problema. Las reparaciones amparadas por la garantía deben realizarse en un plazo razonable menor de 30 días.

Si tiene alguna pregunta con respecto a sus derechos y responsabilidades en relación con la garantía, le recomendamos comunicarse con un representante del departamento de servicio al consumidor de Techtronic Industries North America, Inc. llamando al 1-800-860-4050.

REQUISITOS DE COBERTURA DE DEFECTOS ESTABLECIDOS EN LA GARANTÍA:

(a) El período de garantía se inicia el día en que el motor o equipo es entregado a un comprador final.

(b) Cobertura de Garantía General por Emisiones. Techtronic Industries North America, Inc. garantiza al comprador final y a cada uno de los compradores subsiguientes que su motor no vehicular o motor para uso fuera de carreteras está diseñado, fabricado y equipado, al momento de la venta, para cumplir todas las normas correspondientes adoptadas por la Oficina de Recursos Atmosféricos de California (CARB) o la Dirección de Protección Ambiental (EPA) de EE.UU.; que carece de defectos en los materiales y en la mano de obra que puedan causar el incumplimiento de las normas correspondientes por parte del motor durante un período de tres años a partir de la fecha de compra del motor no vehicular o motor pequeño para uso fuera de carreteras por el comprador inicial.

(c) La garantía sobre las piezas relacionadas con el control de emisiones se interpretará como sigue: Toda pieza garantizada cuyo cambio no esté programado según lo requerido en el Programa de mantenimiento para el control de emisiones y lista de piezas con garantía, incluido a continuación, está garantizada por tres años. Si alguna de dichas piezas (incluida cualquier pieza para la que se programen únicamente inspecciones regulares) falla durante el período de cobertura de la garantía, será reparada o reemplazada sin cargo en cualquier Centro de Servicio Autorizado de RYOBI®. Cualquier pieza reparada o reemplazada en virtud de la garantía quedará garantizada por el resto del período de la garantía. Una declaración que indique "reparar o reemplazar según sea necesario" no reducirá el período de cobertura de la garantía. Toda pieza garantizada cuyo cambio esté programado según lo requerido en

el Programa de mantenimiento para el control de emisiones y lista de piezas con garantía está garantizada por el período previo al momento del primer cambio programado para dicha pieza. Toda pieza reparada o reemplazada en virtud de la garantía queda garantizada por el resto del período previo al momento del primer cambio programado, y será reparada o reemplazada en cualquier Centro de Servicio Autorizado de RYOBI® sin cargo hasta que llegue el momento de dicho cambio.

Techtronic Industries North America, Inc. reparará todo defecto amparado por la garantía en cualquier Centro de Servicio Autorizado de RYOBI®, incluido cualquier centro de distribución autorizado a realizar el servicio de los motores objeto de la presente. Todo trabajo de diagnóstico que se realice en un Centro de Servicio Autorizado de RYOBI® será sin cargo para el propietario si mediante dicho trabajo se determina que una pieza garantizada está defectuosa. Se pueden utilizar piezas de repuesto aprobadas por el fabricante, o equivalentes, para cualquier mantenimiento o reparación amparado por la garantía en las piezas relacionadas con el control de emisiones, y deben proporcionarse sin ningún cargo para el propietario si dichas piezas aún están protegidas por la garantía. Techtronic Industries North America, Inc. es responsable de daños a otros componentes del motor causados por la falla de una pieza garantizada cuya garantía aún esté vigente.

No está permitido utilizar piezas agregadas o modificadas que no estén exentas por la Oficina de Recursos Atmosféricos de California. El uso de cualquier pieza agregada o modificada que no esté exenta constituirá causal para rechazar un reclamo en virtud de la garantía. Techtronic Industries North America, Inc. no será responsable de garantizar fallas de piezas garantizadas causadas por el uso de una pieza agregada o modificada que no esté exenta.

La Lista de Piezas con Garantía de Emisiones de la Oficina de Recursos Atmosféricos de California define específicamente las piezas garantizadas relacionadas con el control de emisiones. (Las normas de la EPA no incluyen una lista de piezas, pero la EPA considera que las piezas garantizadas y relacionadas con el control de emisiones incluyen todas las piezas que se indican a continuación). Techtronic Industries North America, Inc. proporcionará cualquier documento que describa sus procedimientos o políticas de garantía dentro de los cinco días de haber sido requerido por la Oficina de Recursos Atmosféricos de California.

LISTA DE PIEZAS PARA EL CONTROL DE EMISIONES

Las piezas para el control de emisiones varían de un producto a otro. Su garantía del sistema de control de emisiones se aplica a cualquiera de los siguientes componentes que pueda estar incluido en su producto:

- (1) Sistema de administración de combustible
 - (i) Carburador y piezas internas (y/o regulador de presión o sistema de inyección de combustible).
 - (ii) Sistema de retroalimentación y control de la mezcla de aire y combustible.
 - (iii) Sistema de enriquecimiento de la mezcla para arranque en frío.
 - (iv) Tanque de combustible.
- (2) Sistema de inducción de aire
 - (i) Sistema con toma de aire caliente controlada.
 - (ii) Múltiple de admisión.
 - (iii) Filtro de aire.
- (3) Sistema de encendido
 - (i) Bujías.
 - (ii) Sistema de ignición magnético o electrónico.
 - (iii) Sistema de avance/retardo de chispa.
- (4) Sistema de recirculación de gases de escape (Exhaust Gas Recirculation, EGR)
 - (i) Cuerpo de válvula y separador del carburador del EGR, si corresponde.
 - (ii) Sistema de retroalimentación de régimen y control del EGR.
- (5) Sistema de inyección de aire
 - (i) Bomba de aire o válvula de impulsos.
 - (ii) Válvulas que afecten la distribución del flujo.
 - (iii) Múltiple de distribución.
- (6) Catalizador o sistema de reactor térmico
 - (i) Convertidor catalítico.
 - (ii) Reactor térmico.
 - (iii) Múltiple de escape.
- (7) Controles de partículas
 - (i) Trampas, filtros, precipitadores y cualquier otro dispositivo utilizado para captar emisiones de partículas.
- (8) Elementos varios utilizados en los sistemas antes mencionados
 - (i) Controles electrónicos.
 - (ii) Válvulas e interruptores sensibles al vacío, la temperatura y el tiempo.
 - (iii) Mangueras, correas, conectores y conjuntos.

Con cada nuevo motor, Techtronic Industries North America, Inc. proveerá instrucciones escritas para su mantenimiento y uso por parte del propietario.

El período de cumplimiento con los reglamentos de control de emisiones señalado en la etiqueta de cumplimiento de dichos reglamentos indica el número de horas de funcionamiento para las cuales se ha demostrado que el motor cumple los requisitos de control de emisiones de los reglamentos federales. Categoría C=50 horas, B=125 horas y A=300 horas.

GARANTÍA

ESTE PRODUCTO SE FABRICÓ CON UN SILENCIADOR CATALÍTICO

¡Felicidades! Acaba de realizar una inversión para proteger el medio ambiente. A fin de conservar el nivel de emisiones original de este producto, le suplicamos consultar el apartado sobre mantenimiento que aparece abajo.

PROGRAMA DE MANTENIMIENTO PARA EL CONTROL DE EMISIONES Y LISTA DE PIEZAS GARANTIZADAS

Piezas para el control de emisiones	Inspeccionar cada vez antes de usar la unidad	Limpiar cada 5 horas de uso	Reemplazar cada 25 horas de uso o cada año	Limpiar cada 25 horas de uso o cada año	Reemplácelo cada 50 Horas
-------------------------------------	---	-----------------------------	--	---	---------------------------

CONJUNTO DE SILENCIADOR CATALÍTICOX

INCLUYE:

FILTRO PANTALLA.....X

PANTALLA PARACHISPASX

CONJUNTO DEL CARBURADOR

INCLUYE:

REPRESA TÉRMICA.....X

JUNTAS.....X

CONJUNTO DEL TANQUE DE COMBUSTIBLE

INCLUYE:

CONDUCTOS DE COMBUSTIBLEX

TAPA DEL TANQUE DE COMBUSTIBLE.....X

FILTRO DE COMBUSTIBLE

CONJUNTO DEL ENCENDIDO

INCLUYE:

BUJÍA.....X

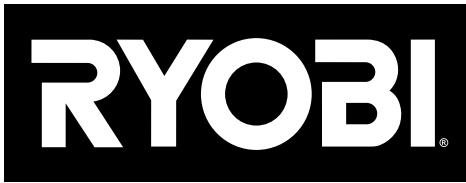
TODAS LAS PIEZAS RELACIONADAS CON LAS EMISIONES ESTÁN GARANTIZADAS POR TRES AÑOS O POR EL PERÍODO DE TIEMPO PREVIO AL MOMENTO DEL PRIMER CAMBIO PROGRAMADO DE LAS PIEZAS, LO QUE SUCEDA PRIMERO.



LLÁMENOS PRIMERO

Si tiene preguntas sobre el funcionamiento o el mantenimiento este producto, llame al teléfono de atención al consumidor de Ryobi®!

La sopladora/aspiradora ha sido probada enteramente antes de embarcarse para asegurar la satisfacción del consumidor.



OPERATOR'S MANUAL
MANUEL D'UTILISATION
MANUAL DEL OPERADOR

BLOWER / VACUUM
SOUFFLANTE / ASPIRATEUR
SOPLADORA / ASPIRADORA

RY09053

⚠ WARNING:

The engine exhaust from this product contains chemicals known to the State of California to cause cancer, birth defects, or other reproductive harm.

CALIFORNIA PROPOSITION 65

⚠ AVERTISSEMENT :

Les gaz d'échappement de ce produit contiennent des produits chimiques identifiés par l'état de Californie comme causes de cancer, de malformations congénitales et d'autres troubles de l'appareil reproducteur.

PROPOSITION 65 DE L'ÉTAT DE CALIFORNIE

⚠ ADVERTENCIA:

Las emanaciones provenientes del escape del motor de este producto contienen sustancias químicas reconocidas por el estado de California como causantes de cáncer, defectos congénitos y otras afecciones del aparato reproductor.

CALIFORNIA - PROPUESTA DE LEY NÚM. 65

Ryobi® is a registered trademark of Ryobi Limited used under license.

Ryobi® est une marque déposée de Ryobi Limited utilisée sous licence.

Ryobi® es una marca comercial registrada de Ryobi Limited y es empleada mediante autorización.

- **PARTS AND SERVICE**
Prior to requesting service or purchasing replacement parts, please obtain your model and serial number from the product data plate.
- **MODEL NO. RY09053 SERIAL NO. _____**
- **HOW TO OBTAIN REPLACEMENT PARTS:**
Replacement parts can be purchased online at www.ryobitools.com or by calling 1-800-860-4050. Replacement parts can also be obtained at one of our Authorized Service Centers.
- **HOW TO LOCATE AN AUTHORIZED SERVICE CENTER:**
Authorized Service Centers can be located online at www.ryobitools.com or by calling 1-800-860-4050.
- **HOW TO OBTAIN CUSTOMER OR TECHNICAL SUPPORT:**
To obtain Customer or Technical Support please contact us at 1-800-860-4050.

• • • • •

- **PIÈCES ET SERVICE**
Avant de faire la demande de service ou l'achat de pièces de remplacement, veuillez obtenir le numéro de série du modèle à partir de la plaque de données du produit.
- **NUMÉRO DE MODÈLE RY09053 NUMÉRO DE SÉRIE _____**
- **COMMENT OBTENIR LES PIÈCES DE REMPLACEMENT :**
Les pièces de remplacement peuvent être achetées en ligne sur le site www.ryobitools.com ou par téléphone au 1-800-860-4050. Les pièces de remplacement peuvent être obtenues à un de nos centres de service autorisés.
- **COMMENT TROUVER UN CENTRE DE SERVICE AUTORISÉ :**
Les centres de service autorisés peuvent être localisés en ligne au www.ryobitools.com ou en téléphonant au 1-800-860-4050.
- **COMMENT OBTENIR DE L'AIDE EN CONTACTANT LE SERVICE À LA CLIENTÈLE :**
Pour contacter le service à la clientèle pour une question technique ou pour tout autre renseignement, veuillez nous téléphoner au 1-800-860-4050.

• • • • •

- **PIEZAS DE REPUESTO Y SERVICIO**
Antes de solicitar servicio técnico o comprar piezas de repuesto, obtenga su modelo y número de serie de la placa de datos del producto.
- **NÚMERO DE MODELO RY09053 NÚMERO DE SERIE _____**
- **CÓMO OBTENER PIEZAS DE REPUESTO:**
Las piezas de repuesto se pueden comprar en nuestro sitio en la red mundial, en la dirección www.ryobitools.com o llamando al 1-800-860-4050. Las piezas de repuesto también se pueden obtener en uno de nuestros Centros de Servicio Autorizados.
- **CÓMO LOCALIZAR UN CENTRO DE SERVICIO AUTORIZADO:**
Puede encontrar los Centros de Servicio Autorizados visitando nuestro sitio en la red mundial, en la dirección www.ryobitools.com or by calling 1-800-860-4050.
- **CÓMO OBTENER SERVICIO O ASISTENCIA TÉCNICA AL CONSUMIDOR:**
Para obtener Servicio o Asistencia Técnica al Consumidor, sírvase comunicarse con nosotros llamando al 1-800-860-4050.

TECHTRONIC INDUSTRIES NORTH AMERICA, INC.
 1428 Pearman Dairy Road, Anderson, SC 29625 USA
 1-800-860-4050 • www.ryobitools.com