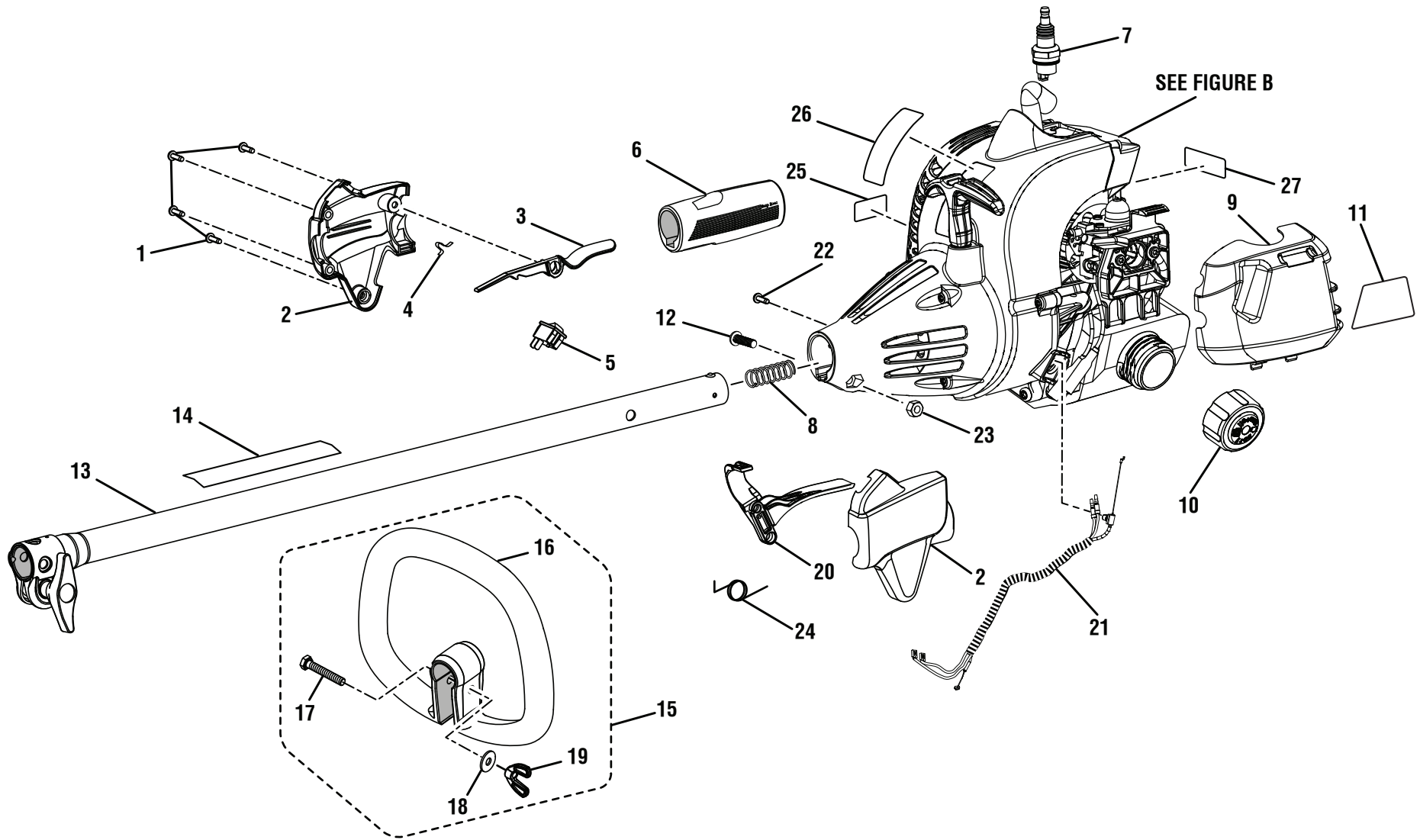


**RYOBI**  
**26cc STRING TRIMMERS**  
**MODEL NOS. RY28005, RY28025, RY28045**  
**REPAIR SHEET**

RYOBI 26cc STRING TRIMMERS  
MODEL NUMBERS - RY28005, RY28025, RY28045

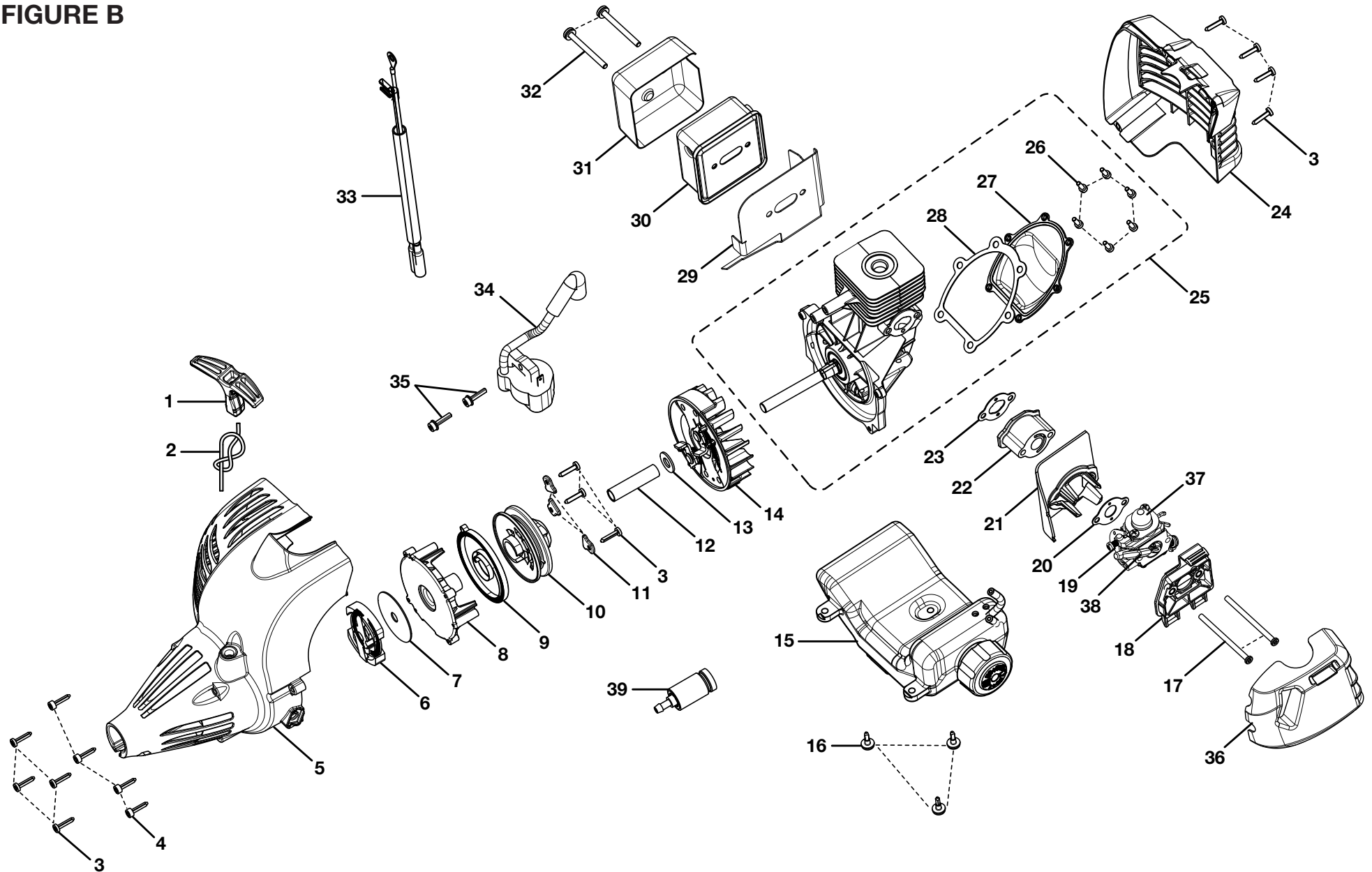
FIGURE A





RYOBI 26cc STRING TRIMMERS  
MODEL NUMBERS - RY28005, RY28025, RY28045

FIGURE B



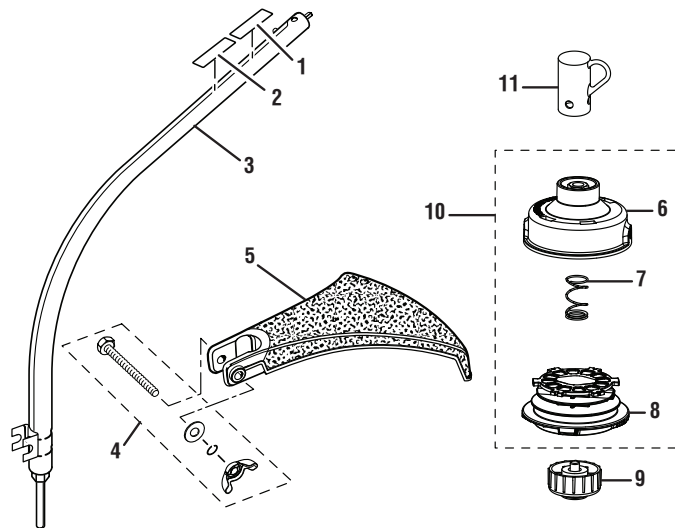
**RYOBI 26cc STRING TRIMMERS  
MODEL NUMBERS – RY28005, RY28025, RY28045**

**PARTS LIST (FIGURE B)**

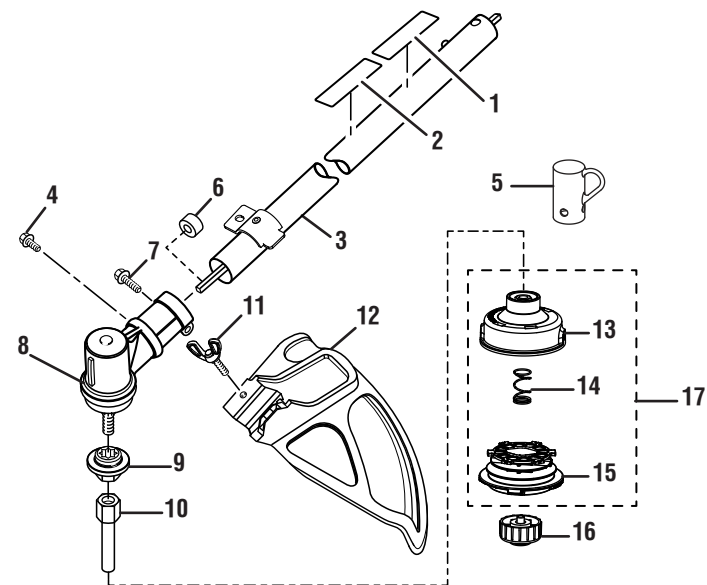
<b>KEY NO.</b>	<b>PART NUMBER</b>	<b>DESCRIPTION</b>	<b>QTY</b>	<b>KEY NO.</b>	<b>PART NUMBER</b>	<b>DESCRIPTION</b>	<b>QTY</b>
1	511731001	Starter Grip.....	1	21	518685001	Air Baffle.....	1
2	900849012	Starter Rope.....	1	22	518497001	Heat Dam .....	1
3	660466001	Screw (M4 x 18 mm) .....	11	23	901551001	Inner Heat Dam Gasket.....	1
4	660970001	Screw (M4 x 16 mm) .....	4	24	518504002	Rear Housing .....	1
5	308671027	Starter Housing Assembly .....	1	25	308892014	Short Block Assembly (Inc. Key Nos. 26-28) .....	1
6	300960002	Clutch Assembly .....	1	26	660925003	Screw (M4 x 12 mm) .....	6
7	638090001	Washer .....	1	27	638337001	Crankcase Cover.....	1
8	518692001	Starter Baffle .....	1	28	901550001	Crankcase Cover Gasket .....	1
9	638033001	Spring and Container .....	1	29	901452001	Muffler Gasket.....	1
10	310022003	Easy Starter Assembly .....	1	30	308990011	Muffler Assembly .....	1
11	638389001	Pulley Retainer .....	3	31	638442001	Muffler Housing.....	1
12	638284002	Spacer Tube.....	1	32	660638003	Muffler Bolt (10-24 x 2-1/8 in.) .....	2
13	650017001	Washer .....	1	33	308863024	Electrical Lead Wire Assembly.....	1
14	308811001	Flywheel Assembly.....	1	34	850108008	Ignition Module .....	1
15	308675035	Fuel Tank and Cap Assembly (Inc. Key No. 39)....	1	35	660968001	Screw (M4 x 19 mm) .....	2
16	660970002	Screw (M4) .....	3	36	518777004	Air Box Cover .....	1
17	660454007	Bolt (M5 x 70 mm).....	2	37	561635001	Primer Bulb .....	1
18	518766001	Air Box Base .....	1	38	521523001	Choke Lever .....	1
19	308054028	Carburetor Assembly .....	1	39	310976001	Fuel Filter.....	1
20	901552001	Outer Heat Dam Gasket.....	1				

**RYOBI 26cc STRING TRIMMERS**  
**MODEL NUMBERS – RY28005, RY28025, RY28045**

**FIGURE C**  
**MODEL**  
**RY28025**



**FIGURE C**  
**MODEL**  
**RY28045**



Key No.	Service Number	Description	Qty.
1	940726013	Logo Label .....	1
2	940230132	Warning Label .....	1
3	308038010	Curved Shaft Assembly .....	1
4	120642001	Washer and Bolt Assembly .....	1
5	308052001	Curved Shaft Grass Deflector .....	1
6	310643001	String Head Housing .....	1
7	678022001	Spring .....	1
8	310412001	Spool .....	1
9	308042002	Spool Retainer .....	1
10	309562002	String Head Assembly (Inc. Key Nos. 6-8) .....	1
11	518019002	Hanger Cap .....	1

Key No.	Service Number	Description	Qty.
1	940726013	Logo Label .....	1
2	940230132	Warning Label .....	1
3	308035038	Straight Shaft Assembly .....	1
4	660641001	Screw (10-24 x 5/8 in.) .....	1
5	518019002	Hanger Cap .....	1
6	518367001	Spacer .....	1
7	660642001	Screw (1/4-20 x 1-1/4 in.) .....	1
8	308210002	Gear Head .....	1
9	678011002	Washer .....	1
10	678019002	Arbor .....	1
11	660886001	Wing Screw (1/4-20 x 1-1/4 in.) .....	1
12	308473001	Grass Deflector Assembly (Inc. Key No. 11) .....	1
13	310643001	String Head Housing .....	1
14	678022001	Spring .....	1
15	310412001	Spool .....	1
16	308042003	Spool Retainer .....	1
17	309562002	String Head Assembly (Inc. Key Nos. 13-15) .....	1