



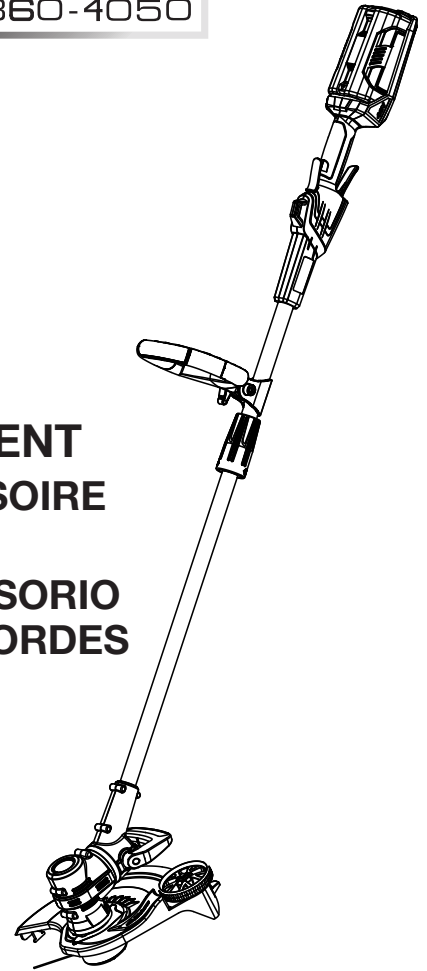
**REGISTER YOUR TOOLS**  
@ <http://register.ryobitools.com>  
1-800-860-4050

# OPERATOR'S MANUAL

## MANUEL D'UTILISATION

## MANUAL DEL OPERADOR

**RY40001 40 VOLT POWER HEAD WITH  
RY40021 STRING TRIMMER/EDGER ATTACHMENT**  
**RY40001 40V BLOC MOTEUR AVEC RY40021 ACCESSOIRE  
DE TAILLE-BORDURES À LIGNE/COUPE-BORDURES**  
**RY40001 40V CABEZAL MOTOR CON RY40021 ACCESORIO  
DE RECORTADORAS DE HILO/RECORTADORA DE BORDES**



**BATTERIES AND CHARGERS SOLD SEPARATELY**  
**PILES ET CHARGEUR VENDUS SÉPARÉMENT**  
**LAS BATERÍAS Y EL CARGADOR SE VENDEN POR SEPARADO**

Your trimmer/edger has been engineered and manufactured to our high standard for dependability, ease of operation, and operator safety. When properly cared for, it will give you years of rugged, trouble-free performance.

**⚠ WARNING:** To reduce the risk of injury, the user must read and understand the operator's manual before using this product.

Thank you for your purchase.

**SAVE THIS MANUAL FOR FUTURE REFERENCE**

Le taille-bordures à ligne/coupe-bordures a été conçue et fabriquée conformément à nos strictes normes de fiabilité, simplicité d'emploi et sécurité d'utilisation. Correctement entretenue, elle vous donnera des années de fonctionnement robuste et sans problème.

**⚠ AVERTISSEMENT :** Pour réduire les risques de blessures, l'utilisateur doit lire et veiller à bien comprendre le manuel d'utilisation avant d'employer ce produit.

Merci de votre achat.

Su recortadoras de hilo/recortadora de bordes ha sido diseñada y fabricada de conformidad con las estrictas normas para brindar fiabilidad, facilidad de uso y seguridad para el operador. Con el debido cuidado, le brindará muchos años de sólido y eficiente funcionamiento.

**⚠ ADVERTENCIA:** Para reducir el riesgo de lesiones, el usuario debe leer y comprender el manual del operador antes de usar este producto.

Le agradecemos su compra.

**CONSERVER CE MANUEL POUR  
FUTURE RÉFÉRENCE**

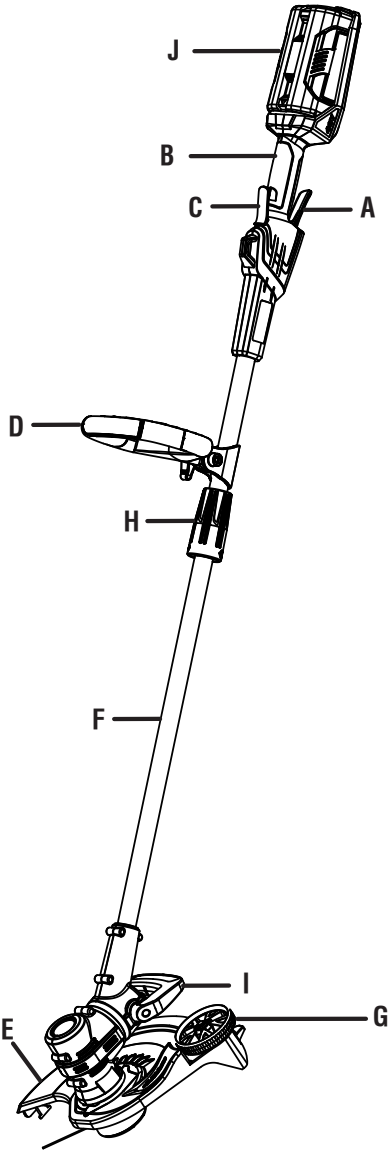
**GUARDE ESTE MANUAL PARA  
FUTURAS CONSULTAS**

See this fold-out section for all the figures referenced in the operator's manual.

Voir que cette section d'encart pour toutes les figures a adressé dans le manuel d'utilisation.

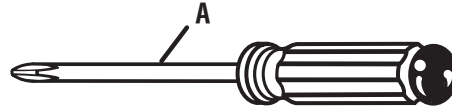
Vea esta sección de la página desplegable para todas las figuras mencionó en el manual del operador.

**Fig. 1**



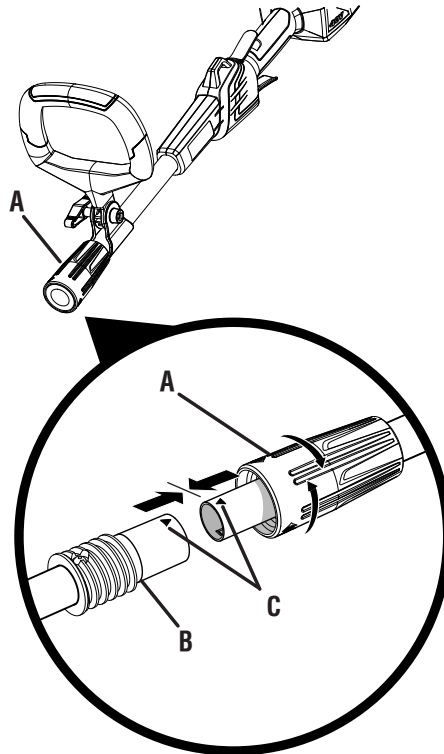
- A - Switch trigger (gâchette, gatillo del interruptor)
- B - Handle overmold (surmoulage de poignée, mangos sobremoldeado)
- C - Lock-out button (bouton de verrouillage, botón de seguro de seguro)
- D - Adjustable front handle (poignée avant réglable, mango delantero ajustable)
- E - Grass deflector (déflecteur d'herbe, deflector de hierba)
- F - Trimmer shaft (arbre du taille-bordures, eje de la recortadora)
- G - Edger wheel (roue de coupe-bordures, rueda de recortadora de bordes)
- H - Coupler (coupleur, acoplador)
- I - Foot pedal (pédale de pied, pedal de pie)
- J - Battery pack (bloc-piles, paquete de baterías)

**Fig. 2**



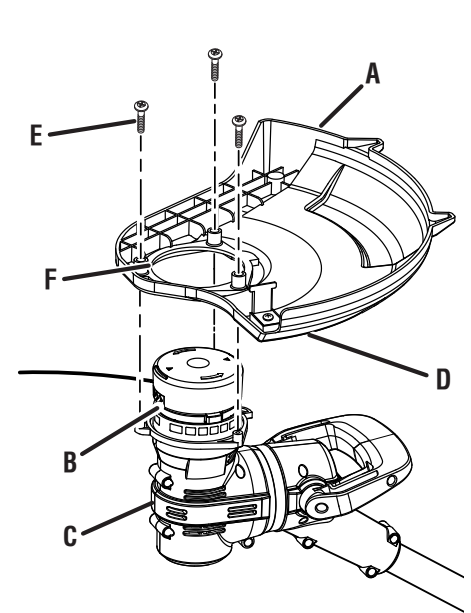
A - Phillips screwdriver (tournevis phillips, destornillador phillips)

**Fig. 3**



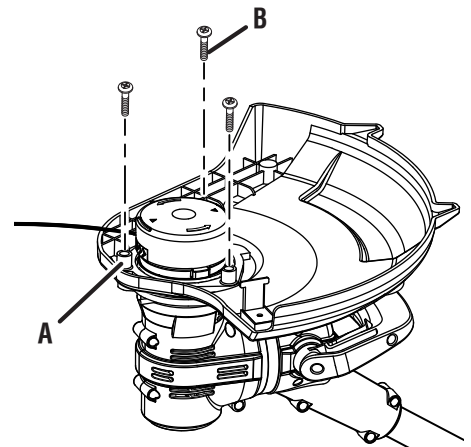
- A - Coupler (coupleur, acoplador)
- B - Base (base, base)
- C - Arrow (flèche, flecha)

**Fig. 4**



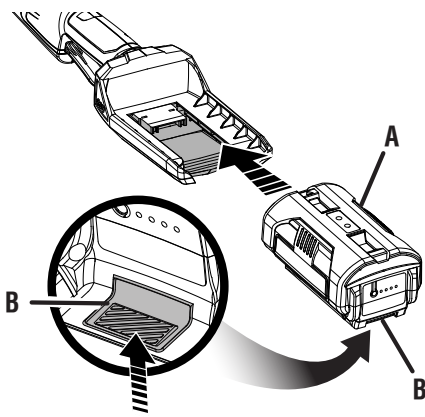
- A - Grass deflector (déflecteur d'herbe, deflector de hierba)
- B - String head (tête de ligne, cabezal del línea)
- C - Motor housing (boîtier du moteur, alojamiento del motor)
- D - Line cut-off blade (lame de sectionnement de ligne, cuchilla de corte del hilo)
- E - Screws (vis, tornillos)
- F - Slide over string head (faire glisser sur la tête, deslizarlo sobre el cabezal)

**Fig. 5**



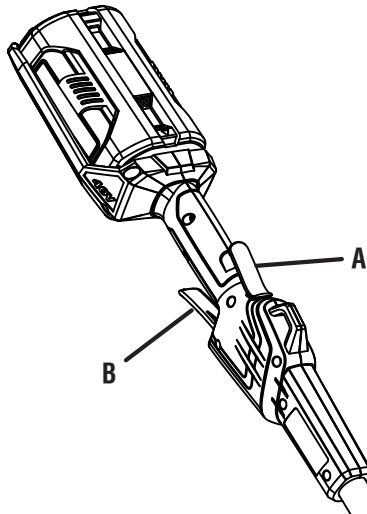
- A - Screw holes (orifices de las vis, agujeros del tornillo)
- B - Screws (vis, tornillos)

**Fig. 6**



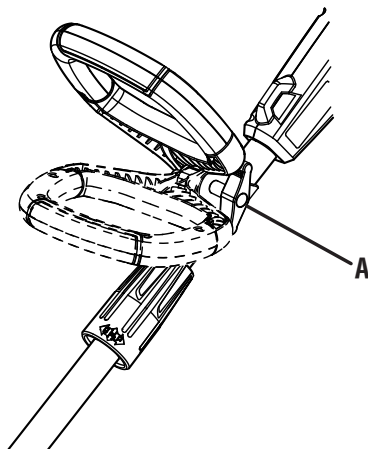
A - Battery pack (bloc-piles, paquete de baterías)  
 B - Latch (loquet, pestillo)

**Fig. 7**



A - Lock-out button (bouton de verrouillage, botón de seguro de seguro)  
 B - Switch trigger (gâchette, gatillo del interruptor)

**Fig. 8**



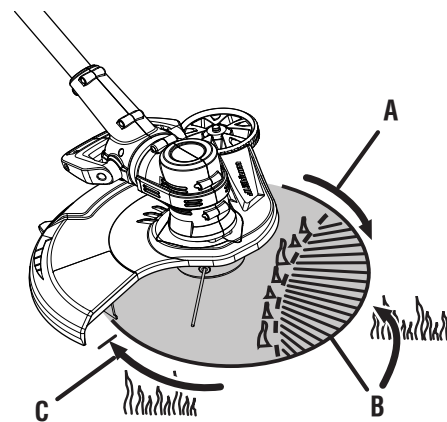
A - Knob (bouton, perilla)

**Fig. 9**

**PROPER TRIMMER  
 OPERATING POSITION  
 POSITION D'UTILISATION CORRECTE  
 POUR TAILLE-HAIES  
 POSICIÓN CORRECTA PARA EL MANEJO  
 DE LA CORTADORA**

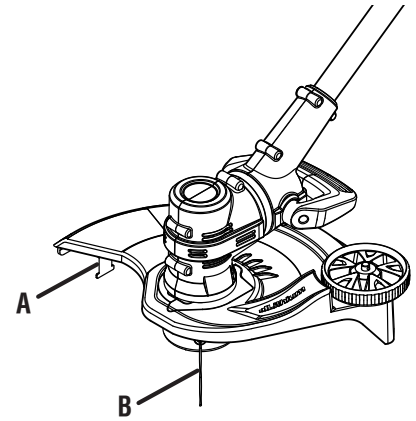


**Fig. 10**



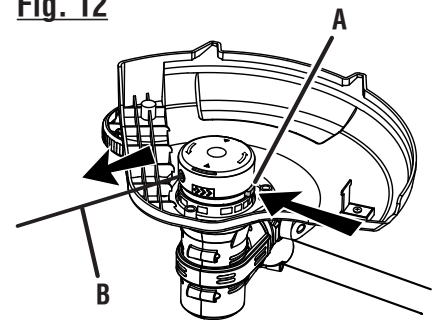
A - Direction of rotation (sens de rotation, sentido de la rotación)  
 B - Best cutting area (d'efficacité, área de corte óptima)  
 C - Dangerous cutting area (zone de coup dangereuse, área de corte peligrosa)

**Fig. 11**



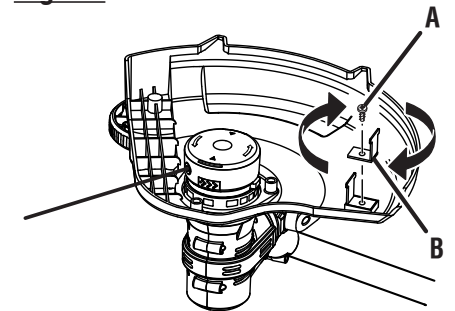
A - Line cut-off blade (lame coupe-ligne, cuchilla de corte)  
 B - Line (ligne, línea)

**Fig. 12**



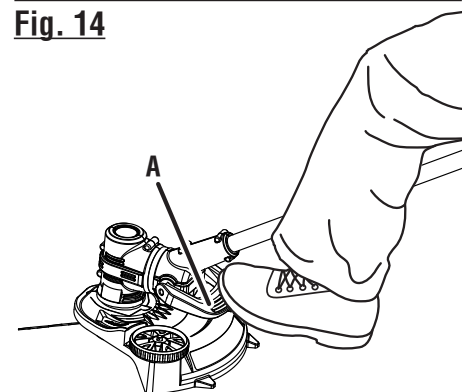
A - Black button (bouton noir, botón negro)  
 B - Line (ligne, línea)

**Fig. 13**



A - Screw (vis, tornillo)  
 B - Line cut-off blade (lame coupe-ligne, cuchilla de corte)

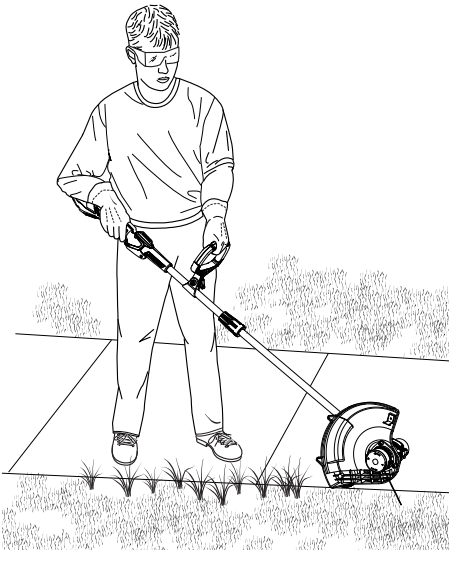
**Fig. 14**



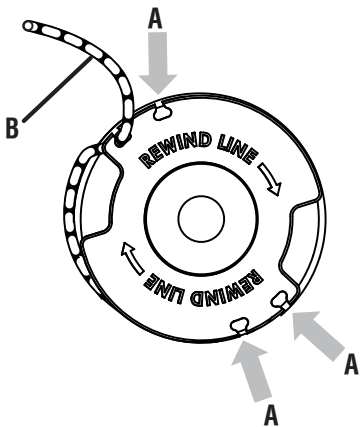
A - Foot pedal (pédale de pied, pedal de pie)

**Fig. 15**

**PROPER EDGING OPERATING POSITION  
POSITION D'UTILISATION CORRECTE  
POUR COUPE-BORDURES  
POSICIÓN CORRECTA PARA EL MANEJO  
DE LA CORTAR BORDES**

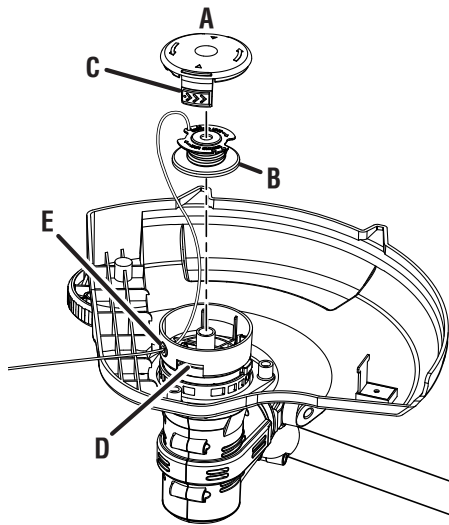


**Fig. 16**



A - Slot (fente, ranura)  
B - Line (ligne, línea)

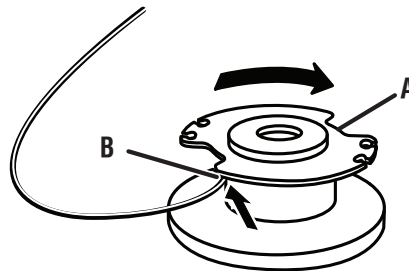
**Fig. 17**



A - Spool retainer (retene de bobine, retén del carrete)  
B - Spool (bobine, carrete)  
C - Tabs (languettes, pestañas)  
D - Slot (fente, ranura)  
E - Eyelet (trou, agujero)

**Fig. 18**

**WIND CLOCKWISE  
ENROULER DANS LE SENS HORAIRE  
ENROLLE HACIA LA DERECHA**



A - Spool (bobine, carrete)  
B - Hole (trou, agujero)



# TABLE OF CONTENTS

## TABLE DES MATIÈRES / ÍNDICE DE CONTENIDO

■ Introduction .....	2
Introduction / Introducción	
■ Important Safety Instructions .....	3-4
Instructions importantes concernant la securite / Instrucciones de seguridad importantes	
■ Symbols.....	5
Symboles / Símbolos	
■ Features.....	6
Caractéristiques / Características	
■ Assembly .....	6-7
Assemblage / Armado	
■ Operation.....	8-9
Utilisation / Funcionamiento	
■ Maintenance .....	10-11
Entretien / Mantenimiento	
■ Troubleshooting .....	11
Dépannage / Corrección de problemas	
■ Warranty .....	12
Garantie / Garantía	
■ Parts Ordering and Service .....	Back Page
Commande de pièces et réparation / Pedidos de piezas y servicio .....	Page arrière / Pág. posterior

## INTRODUCTION

### INTRODUCTION / INTRODUCCIÓN

This product has many features for making its use more pleasant and enjoyable. Safety, performance, and dependability have been given top priority in the design of this product making it easy to maintain and operate.

\* \* \*

Ce produit offre de nombreuses fonctions destinées à rendre son utilisation plus plaisante et satisfaisante. Lors de la conception de ce produit, l'accent a été mis sur la sécurité, les performances et la fiabilité, afin d'en faire un outil facile à utiliser et à entretenir.

\* \* \*

Este producto ofrece numerosas características para hacer más agradable y placentero su uso. En el diseño de este producto se ha conferido prioridad a la seguridad, el desempeño y la fiabilidad, por lo cual se facilita su manejo y mantenimiento.

# IMPORTANT SAFETY INSTRUCTIONS

## **WARNING!**

When using electric gardening appliances, basic safety precautions should always be followed to reduce the risk of fire, electric shock and personal injury.

## READ ALL INSTRUCTIONS

- For safe operation, read and understand all instructions before using this product. Follow all safety instructions. Failure to follow all safety instructions listed below, can result in serious personal injury.
- Do not allow children or untrained individuals to use this unit.
- Check the work area before each use. Remove all objects such as rocks, broken glass, nails, wire, or string which can be thrown or become entangled in the machine.
- Always wear eye protection with side shields marked to comply with ANSI Z87.1. Following this rule will reduce the risk of serious personal injury.
- Use Safety Glasses – Always use face or dust mask if operation is dusty.
- Protect your lungs. Wear a face or dust mask if the operation is dusty. Following this rule will reduce the risk of serious personal injury.
- Dress Properly – Use of rubber gloves and substantial footwear is recommended when working outdoors. Wear heavy, long pants, long sleeves, boots, and gloves. Do not wear loose fitting clothing, short pants, sandals, or go barefoot. Do not wear loose clothing or jewelry. They can be caught in moving parts. Secure long hair above shoulder level to prevent entanglement in moving parts.
- Keep children away – Keep all bystanders, children, and pets at least 50 ft. away.
- Stay alert – Watch what you are doing. Use common sense. Do not operate this unit when you are tired, ill, upset, or under the influence of alcohol, drugs, or medication.
- Do not operate in poor lighting.
- Keep all parts of your body away from any moving part.
- Do not operate power tools in explosive atmospheres, such as in the presence of flammable liquids, gases, or dust. Power tools create sparks which may ignite the dust or fumes.
- Avoid body contact with grounded surfaces such as pipes, radiators, ranges, and refrigerators. There is an increased risk of electric shock if your body is grounded.
- Avoid Dangerous Environments – Don't expose appliance or string trimmer to rain or wet conditions. Water entering an appliance or string trimmer will increase the risk of electric shock.
- Use Right Appliance – Do not use appliance for any job except that for which it is intended. Do not force tool. Use the correct tool for your application. The correct tool will do the job better and safer at the rate for which it is designed.
- Don't Force Appliance – It will do the job better and with less likelihood of a risk of injury at the rate for which it was designed.
- Do not operate the equipment while barefoot or when wearing sandals or similar lightweight footwear. Wear protective footwear that will protect your feet and improve your footing on slippery surfaces.
- Do not overreach – Keep firm footing and balance. Overreaching can result in loss of balance.
- Avoid accidental starting – Be sure switch trigger is in the locked or off position before inserting battery pack. Carrying tools with your finger on the switch trigger or inserting the battery pack into a tool with the switch on invites accidents.
- Do not use tool if switch trigger does not turn it on or off. Any tool that cannot be controlled with the switch trigger is dangerous and must be repaired.
- Disconnect trimmer – Disconnect battery pack from the appliance before storing, servicing, or changing accessories such as cutting line. Such preventive safety measures reduce the risk of starting the tool accidentally.
- Use only identical manufacturer's replacement parts and accessories. Use of any other parts may create a hazard or cause product damage.
- Maintain appliance with care – Replace string head if cracked, chipped, or damaged in any way. Be sure the string head is properly installed and securely fastened. Failure to do so can cause serious injury. Follow instructions for lubrication and changing accessories. Inspect trimmer cord periodically and, if damaged, have it replaced. Keep handles dry, clean, and free from grease and oil.
- Check Damaged Parts – Before further use of the appliance, a guard or other part that is damaged should be carefully checked to determine that it will operate properly and perform its function. Check for alignment of moving parts, binding of moving parts, breakage of parts, mounting and any other condition that may effect its operation. A guard or other part that is damaged should be properly repaired or replaced by an authorized service center unless indicated elsewhere in this manual.
- Keep hands and feet away from cutting area.
- Make sure all guards, straps, deflectors and handles are properly and securely attached.
- Use only the manufacturer's replacement string in the cutting head. Do not use any other cutting attachment, for example, metal wire, rope, or the like. To install any other brand of cutting head to this string trimmer can result in serious personal injury.




# IMPORTANT SAFETY INSTRUCTIONS

- Never operate unit without the grass deflector in place and in good condition.
- Maintain a firm grip on both handles while trimming. Keep string head below waist level. Never cut with the string head located over 30 in. or more above the ground.
- Store idle appliances indoors - When not in use, string trimmer should be stored indoors in a dry, locked place out of the reach of children.
- Never use blades, flailing devices, wire or rope. Unit is designed for line trimmer use only. Use of any other accessories or attachments will increase the risk of injury.
- Inspect area to be cut. Remove objects (rocks, broken glass, nails, wire, string, etc.) which can be thrown or become entangled in cutting head.
- Keep the air vents clean and free of debris to avoid overheating the motor. Clean after each use.
- Stop the unit and disconnect the power source when not in use. Carry the unit with the motor stopped.
- Store out of the reach of children.
- Do not hang unit so that the switch trigger is depressed.
- Battery tools do not have to be plugged into an electrical outlet; therefore, they are always in operating condition. Be aware of possible hazards when not using your battery tool or when changing accessories. Following this rule will reduce the risk of electric shock, fire, or serious personal injury.
- Do not charge battery tool in rain, or damp or wet location. Following this rule will reduce the risk of electric shock.
- Do not use battery-operated appliance in rain.
- Remove or disconnect battery before servicing, cleaning or removing material from the gardening appliance.
- Use battery only with charger listed. For use with 40V lithium-ion battery packs. See Tool/Appliance/Battery Pack/Charger Correlation Supplement 988000-842.
- Store idle appliances - When not in use, string trimmer should be stored indoors in a dry, locked place out of the reach of children.
- Do not dispose of the batteries in a fire. The cell may explode. Check with local codes for possible special disposal instructions.
- Do not open or mutilate the batteries. Released electrolyte is corrosive and may cause damage to the eyes or skin. It may be toxic if swallowed.
- Do not place battery tools or their batteries near fire or heat. This will reduce the risk of explosion and possibly injury.
- Batteries can explode in the presence of a source of ignition, such as a pilot light. To reduce the risk of serious personal injury, never use any cordless product in the presence of open flame. An exploded battery can propel debris and chemicals. If exposed, flush with water immediately.
- Do not crush, drop or damage battery pack. Do not use a battery pack or charger that has been dropped or received a sharp blow. A damaged battery is subject to explosion. Properly dispose of a dropped or damaged battery immediately.
- Exercise care in handling batteries in order not to short the battery with conducting materials such as rings, bracelets, and keys. The battery or conductor may overheat and cause burns.
- For best results, your battery tool should be charged in a location where the temperature is more than 50°F but less than 100°F. To reduce the risk of serious personal injury, do not store outside or in vehicles.
- Under extreme usage or temperature conditions, battery leakage may occur. If liquid comes in contact with your skin, wash immediately with soap and water, then neutralize with lemon juice or vinegar. If liquid gets into your eyes, flush them with clean water for at least 10 minutes, then seek immediate medical attention. Following this rule will reduce the risk of serious personal injury.
- Save these instructions. Refer to them frequently and use them to instruct others who may use this power tool. If you loan someone this power tool, loan them these instructions also.











# SYMBOLS

The following signal words and meanings are intended to explain the levels of risk associated with this product.

SYMBOL	SIGNAL	MEANING
	<b>DANGER:</b>	Indicates an imminently hazardous situation, which, if not avoided, will result in death or serious injury.
	<b>WARNING:</b>	Indicates a potentially hazardous situation, which, if not avoided, could result in death or serious injury.
	<b>CAUTION:</b>	Indicates a potentially hazardous situation, which, if not avoided, may result in minor or moderate injury.
	<b>NOTICE:</b>	(Without Safety Alert Symbol) Indicates important information not related to an injury hazard, such as a situation that may result in property damage.

Some of the following symbols may be used on this product. Please study them and learn their meaning. Proper interpretation of these symbols will allow you to operate the product better and safer.

SYMBOL	NAME	DESIGNATION/EXPLANATION
	Safety Alert	Indicates a potential personal injury hazard.
	Read Operator's Manual	To reduce the risk of injury, user must read and understand operator's manual before using this product.
	Eye Protection	Always wear eye protection with side shields marked to comply with ANSI Z87.1.
	Wet Conditions Alert	Do not expose to rain or use in damp locations.
	Keep Bystanders Away	Keep all bystanders at least 50 ft. away.
	Ricochet	Thrown objects can ricochet and result in personal injury or property damage.
	No Blade	Do not install or use any type of blade on a product displaying this symbol.
	Recycle Symbol	This product uses lithium-ion (Li-ion) batteries. Local, state, or federal laws may prohibit disposal of batteries in ordinary trash. Consult your local waste authority for information regarding available recycling and/or disposal options.
—	Direct Current	Type or a characteristic of current
$n_0$	No Load Speed	Rotational speed, at no load
.../min	Per Minute	Revolutions, strokes, surface speed, orbits etc., per minute
V	Volts	Voltage
Hz	Hertz	Frequency (cycles per second)
min	Minutes	Time

# FEATURES

## PRODUCT SPECIFICATIONS

Motor.....	40 Volt DC	Weight (without battery pack).....	6.25 lbs.
Cutting Swath.....	11 in. and 13 in.	Replacement Spool Part Number .....	AC14RSLA
Line Size.....	0.065 in.	Replacement Spool Cap Part Number.....	AC14HCA

## KNOW YOUR STRING TRIMMER/EDGER

See Figure 1.

The safe use of this product requires an understanding of the information on the tool and in this operator's manual as well as a knowledge of the project you are attempting. Before use of this product, familiarize yourself with all operating features and safety rules.

### ADJUSTABLE CUTTING DIAMETER

The cutting diameter is adjustable from 11 in. and 13 in. by rotating the line cutoff blade.

### ADJUSTABLE FRONT HANDLE

The front handle assembly can be adjusted for ease of operation and to help prevent loss of control.

### EDGER WHEEL

The edger wheel allows for more stable cutting performance while edging.

## GRASS DEFLECTOR

The trimmer includes a grass deflector that helps protect from flying debris.

## HANDLE OVERMOLD

Handle overmold provides added user comfort.

## LOCK-OUT BUTTON

The lock-out button prevents accidental starting.

## ROTATING TRIMMER HEAD

The rotating trimmer head can be locked in two different positions for ease of use when edging and trimming.

## VARIABLE SPEED SWITCH TRIGGER

This tool has a variable speed switch that delivers higher speed with increased trigger pressure. Speed is controlled by the amount of switch trigger depression.

# ASSEMBLY

## UNPACKING

This product requires assembly.

- Carefully remove the product and any accessories from the box. Make sure that all items listed in the packing list are included.

### **WARNING:**

Do not use this product if any parts on the Packing List are already assembled to your product when you unpack it. Parts on this list are not assembled to the product by the manufacturer and require customer installation. Use of a product that may have been improperly assembled could result in serious personal injury.

- Inspect the product carefully to make sure no breakage or damage occurred during shipping.
- Do not discard the packing material until you have carefully inspected and satisfactorily operated the product.
- If any parts are damaged or missing, please call 1-800-860-4050 for assistance.

## PACKING LIST

Power Head  
String Trimmer/Edger Attachment  
Grass Deflector  
Operator's Manual

### **WARNING:**

If any parts are damaged or missing do not operate this product until the parts are replaced. Use of this product with damaged or missing parts could result in serious personal injury.

### **WARNING:**

Do not attempt to modify this product or create accessories not recommended for use with this product. Any such alteration or modification is misuse and could result in a hazardous condition leading to possible serious personal injury.

# ASSEMBLY

## **WARNING:**

To prevent accidental starting that could cause serious personal injury, always remove the battery pack from the product when assembling parts.

## **TOOLS NEEDED**

See Figure 2.

The following tool (not included or drawn to scale) is needed for assembly:

- Phillips screwdriver

## **CONNECTING THE POWER HEAD TO THE ATTACHMENT**

See Figure 3.

## **WARNING:**

Never install, remove, or adjust any attachment while power head is running or with the battery pack installed. Failure to stop the motor or remove the battery pack can result in serious personal injury.

The attachment connects to the power head by means of a coupler device.

- Remove the battery pack if installed.
- Align the arrows on the string trimmer/edger attachment and the power head. Then, Insert the plug on the string trimmer/edger attachment into the opening on the power head coupler. Make sure the plug is fully seated.
- Slide the threaded coupler on the power head onto the threaded base on the attachment and turn the coupler clockwise. Tighten securely.

**NOTE:** Once assembled correctly, the string trimmer/edger attachment and power head should not separate when pulled. Repeat above steps if pieces can be separated.

## **WARNING:**

Failure to secure the string trimmer/edger attachment and power head as instructed above could result in serious personal injury.

## **REMOVING THE ATTACHMENT FROM THE POWER HEAD**

- Remove the battery pack.
- Turn the coupler counterclockwise to unlock. Then remove the trimmer shaft from the power head.

## **ATTACHING GRASS DEFLECTOR**

See Figures 4 and 5.

## **WARNING:**

The line cut-off blade on the grass deflector is sharp. Avoid contact with the blade. Failure to avoid contact can result in serious personal injury.

- Remove the battery pack.
- Remove the plastic hardware bag from the grass deflector.
- Fit the grass deflector over the string head.
- Line up the screw holes in the grass deflector with the holes in the motor housing.
- Install supplied screws and tighten by turning clockwise with a phillips screwdriver.

# OPERATION

## **WARNING:**

Do not allow familiarity with products to make you careless. Remember that a careless fraction of a second is sufficient to inflict serious injury.

## **WARNING:**

Always wear eye protection with side shields marked to comply with ANSI Z87.1. Failure to do so could result in objects being thrown into your eyes, resulting in possible serious injury.

## **WARNING:**

Never use blades, flailing devices, wire, or rope on this product. Do not use any attachments or accessories not recommended by the manufacturer of this product. The use of attachments or accessories not recommended can result in serious personal injury.

This product will accept Ryobi 40 V lithium-ion battery packs only.

For complete charging instructions, refer to the Operator's Manuals for your Ryobi battery pack and charger models.

## **WARNING:**

Always remove battery pack from your tool when you are assembling parts, making adjustments, cleaning, or when not in use. Removing battery pack will prevent accidental starting that could cause serious personal injury.

## **TO INSTALL BATTERY PACK**

See Figure 6.

- Place the battery pack in the trimmer. Align raised ribs on battery pack with grooves in the trimmer's battery port.

## **WARNING:**

Make sure the latch on the bottom of the battery pack snaps in place and the battery pack is fully seated and secure in the trimmer battery port before beginning operation. Failure to securely seat the battery pack could cause the battery pack to fall out, resulting in serious personal injury.

## **TO REMOVE BATTERY PACK**

See Figure 6.

- Press and hold the battery latch button at the bottom of the battery pack.
- Remove battery pack from the trimmer.

## **WARNING:**

To avoid serious personal injury, always remove the battery pack and keep hands clear of the lock-out button when carrying or transporting the tool.

## **STARTING/STOPPING THE STRING TRIMMER**

See Figure 7.

### **To start:**

- Press and hold the lock-out button.
- Depress the switch trigger.

### **To stop:**

- Release the switch trigger to stop the string trimmer.
- Upon release of the switch trigger, the lock-out button will automatically reset to the locked position.

## **ADJUSTABLE FRONT HANDLE**

See Figure 8.

The angle of the front handle can be adjusted 180°.

- Remove the battery pack.
- Set the trimmer on a flat surface and turn the knob counterclockwise to loosen the handle.
- For trimming, adjust the handle upward.
- For edging, adjust the handle downward.
- Turn the knob clockwise until the handle is securely tightened before reinstalling the battery pack.

## **OPERATING THE TRIMMER**

See Figure 9.

### **Follow these tips when using the string trimmer:**

- Hold the trimmer with your right hand on the rear handle and your left hand on the front handle.
- Keep a firm grip with both hands while in operation.
- Trimmer should be held at a comfortable position with the rear handle about hip height.
- Cut tall grass from the top down. This will prevent grass from wrapping around the boom housing and string head which may cause damage from overheating.

### **If grass becomes wrapped around the string head:**

- Remove the battery pack.
- Remove the grass.

# OPERATION

## **WARNING:**

Always hold the string trimmer away from the body keeping clearance between the body and the string trimmer. Any contact with the string trimmer cutting head while operating can result in serious personal injury.

## **CUTTING TIPS**

See Figures 10 and 11.

- Keep the trimmer tilted toward the area being cut; this is the best cutting area.
- The string trimmer cuts when passing the unit from right to left. This will avoid throwing debris at the operator. Avoid cutting in the dangerous area shown in figure 10.
- Use the tip of the line to do the cutting; do not force string head into uncut grass.
- Wire and picket fences cause extra line wear, even breakage. Stone and brick walls, curbs, and wood may wear line rapidly.
- Avoid trees and shrubs. Tree bark, wood moldings, siding, and fence posts can easily be damaged by the line.

## **ADVANCING LINE**

**NOTE:** The trimmer is equipped with an auto-feed head. Bumping the head to try to advance the line will damage the trimmer and void the warranty.

- With the trimmer running, release the switch trigger.
- Wait two seconds, and press the switch trigger.

**NOTE:** The line will extend approximately 1/4 in. with each stop and start of the switch trigger until the line reaches the length of the cut-off blade.

- Resume trimming.

## **ADVANCING THE LINE MANUALLY**

See Figure 12.

- Remove the battery pack.
- Push the black button located on the string head while pulling on line to manually advance the line.

## **LINE CUT-OFF BLADE**

See Figures 13.

This trimmer is equipped with a line cut-off blade on the grass deflector. For best cutting, advance line until it is trimmed to length by the line cut-off blade. Advance line whenever you hear the engine running faster than normal, or when trimming efficiency diminishes. This will maintain best performance and keep line long enough to advance properly.

This trimmer is currently set at the 11 in. cutting swath. To adjust to a cutting swath of 13 in.:

- Remove the battery pack.
- Loosen the blade screw then rotate the line cut-off blade 180°.
- Tighten the blade screw.

## **EDGING**

See Figures 14 and 15.

- Remove the battery pack.
- Step down on the foot pedal.
- Rotate the trimmer head counterclockwise placing the tool in the edger position.

## **WARNING:**

Always hold the string trimmer away from the body keeping clearance between the body and the string trimmer. Any contact with the string trimmer cutting head while operating can result in serious personal injury.

## **WARNING:**

Never stand directly in the path of the cutting line while edging. Always stand to the left of the grass deflector to avoid thrown debris, which could result in serious personal injury.

# MAINTENANCE

## **WARNING:**

When servicing, use only identical replacement parts. Use of any other parts can create a hazard or cause product damage.

## **WARNING:**

Always wear eye protection with side shields marked to comply with ANSI Z87.1. Failure to do so could result in objects being thrown into your eyes, resulting in possible serious injury.

## **WARNING:**

To avoid serious personal injury, always remove the battery pack from the tool when cleaning or performing any maintenance.

## GENERAL MAINTENANCE

Before each use, inspect the entire product for damaged, missing, or loose parts such as screws, nuts, bolts, caps, etc. Tighten securely all fasteners and caps and do not operate this product until all missing or damaged parts are replaced. Please call 1-800-860-4050 or contact an authorized service center for assistance.

Avoid using solvents when cleaning plastic parts. Most plastics are susceptible to damage from various types of commercial solvents and may be damaged by their use. Use clean cloths to remove dirt, dust, oil, grease, etc.

## **WARNING:**

Do not at any time let brake fluids, gasoline, petroleum-based products, penetrating oils, etc., come in contact with plastic parts. Chemicals can damage, weaken or destroy plastic which can result in serious personal injury.

Only the parts shown on the parts list are intended to be repaired or replaced by the customer. All other parts should be replaced at an Authorized Service Center.

## SPOOL REPLACEMENT

See Figure 16.

Use only 0.065 in. diameter monofilament line. Use original manufacturer's replacement line for best performance.

- Remove the battery pack.
- Push in tabs on side of spool retainer.
- Pull spool retainer up to remove.
- Remove the old spool.
- To install the new spool, make sure the line is captured in the slot on the new spool. Make sure the end of the line is extended approximately 6 in. beyond the slot.
- Install the new spool so that the line and slot align with the eyelet in the string head. Thread the line into the eyelet.
- Pull the line extending from the string head so the line releases from the slot in the spool.
- Reinstall the spool retainer by depressing tabs into slots and pushing down until spool retainer clicks into place.

## LINE REPLACEMENT

See Figures 16 and 17.

- Remove the battery pack.
- Remove the spool from the string head.  
**NOTE:** Remove any old line remaining on the spool.
- Cut a piece of line approximately 9 ft. long. Use only 0.065 in. diameter monofilament line.
- Insert the line into the anchor hole in the upper part of the spool. Wind the line around the upper part of the spool clockwise, as shown by the arrows on the spool. Place line in the slot on upper spool flange, leaving about 6 in. extended beyond the slot. Do not overfill. After winding the line, there should be at least 1/4 in. between the wound line and the outside edge of the spool.
- Replace the plastic retainer, spool, and the spool retainer. Refer to **Spool Replacement** earlier in this manual.

# MAINTENANCE

## STORING THE TRIMMER

- Remove the battery pack from the string trimmer before storing.
- Clean all foreign material from the trimmer.
- Store it in a place that is inaccessible to children.

- Keep away from corrosive agents such as garden chemicals and de-icing salts.
- Replacement Spool Part Number ..... AC14RSLA  
 Replacement Spool Cap Part Number..... AC14HCA

# TROUBLESHOOTING

PROBLEM	POSSIBLE CAUSE	SOLUTION
Line will not advance when using the auto-feed head	Line is welded to itself.	Lubricate with silicone spray.
	Not enough line on spool.	Install more line. Refer to <b>Line Replacement</b> earlier in this manual.
	Line is worn too short.	Pull line while pressing button.
	Line is tangled on spool.	Remove line from spool and rewind. Refer to <b>Line Replacement</b> earlier in this manual.
Grass wraps around boom housing and string head	Cutting tall grass at ground level.	Cut tall grass from the top down to prevent wrapping.
Motor fails to start when switch trigger is depressed	Battery is not secure.	To secure the battery pack, make sure the latch on the bottom of the battery pack is snapped into place.
	Battery is not charged.	Charge the battery pack according to the instructions included with your model.
	Shaft not connected completely	Make sure shaft trimmer is securely seated in the coupler on the power head.



## CALL US FIRST

For any questions about operating or maintaining your product, call the Ryobi® Help Line!

Your product has been fully tested prior to shipment to ensure your complete satisfaction.

# WARRANTY

## LIMITED WARRANTY STATEMENT

Techtronic Industries North America, Inc., warrants to the original retail purchaser that this RYOBI® brand outdoor product is free from defect in material and workmanship and agrees to repair or replace, at Techtronic Industries North America, Inc.'s, discretion, any defective product free of charge within these time periods from the date of purchase.

- Three years if the product is used for personal, family or household use;
- 90 days, if used for any other purpose, such as commercial or rental.

This warranty extends to the original retail purchaser only and commences on the date of the original retail purchase.

Any part of this product found in the reasonable judgment of Techtronic Industries North America, Inc. to be defective in material or workmanship will be repaired or replaced without charge for parts and labor by an authorized service center for RYOBI® brand outdoor products (Authorized Ryobi Service Center).

The product, including any defective part, must be returned to an authorized Ryobi service center within the warranty period. The expense of delivering the product to the service center for warranty work and the expense of returning it back to the owner after repair or replacement will be paid by the owner. Techtronic Industries North America, Inc.'s, responsibility in respect to claims is limited to making the required repairs or replacements and no claim of breach of warranty shall be cause for cancellation or rescission of the contract of sale of any RYOBI® brand outdoor product. Proof of purchase will be required by the dealer to substantiate any warranty claim. All warranty work must be performed by an authorized service dealer.

This warranty is limited to ninety (90) days from the date of original retail purchase for any RYOBI® brand outdoor product that is used for rental or commercial purposes, or any other income-producing purpose.

This warranty does not cover any product that has been subject to misuse, neglect, negligence, or accident, or that has been operated in any way contrary to the operating instructions as specified in this operator's manual. This warranty does not apply to any damage to the product that is the result of improper maintenance or to any product that has been altered or modified. The warranty does not extend to repairs made necessary by normal wear or by the use of parts or accessories which are either incompatible with the RYOBI® brand outdoor product or adversely affect its operation, performance, or durability. In addition, this warranty does not cover:

- A. Tune-ups – Spark Plugs, Carburetor, Carburetor Adjustments, Ignition, Filters
- B. Wear items – Bump Knobs, Outer Spools, Cutting Lines, Inner Reels, Starter Pulleys, Starter Ropes, Drive Belts, Tines, Felt Washers, Hitch Pins, Mulching Blades, Blower Fans, Blower and Vacuum Tubes, Vacuum Bag and Straps, Guide Bars, Saw Chains

Techtronic Industries North America, Inc., reserves the right to change or improve the design of any RYOBI® brand outdoor product without assuming any obligation to modify any product previously manufactured.

ALL IMPLIED WARRANTIES ARE LIMITED IN DURATION TO THE STATED WARRANTY PERIOD. ACCORDINGLY, ANY SUCH IMPLIED WARRANTIES INCLUDING MERCHANTABILITY, FITNESS FOR A PARTICULAR PURPOSE, OR OTHERWISE, ARE DISCLAIMED IN THEIR ENTIRETY AFTER THE EXPIRATION OF THE APPROPRIATE THREE-YEAR OR NINETY-DAY WARRANTY PERIOD. TECHTRONIC INDUSTRIES NORTH AMERICA, INC.'S, OBLIGATION UNDER THIS WARRANTY IS STRICTLY AND EXCLUSIVELY LIMITED TO THE REPAIR OR REPLACEMENT OF DEFECTIVE PARTS AND TECHTRONIC INDUSTRIES NORTH AMERICA, INC., DOES NOT ASSUME OR AUTHORIZE ANYONE TO ASSUME FOR THEM ANY OTHER OBLIGATION. SOME STATES DO NOT ALLOW LIMITATIONS ON HOW LONG AN IMPLIED WARRANTY LASTS, SO THE ABOVE LIMITATION MAY NOT APPLY TO YOU. TECHTRONIC INDUSTRIES NORTH AMERICA, INC., ASSUMES NO RESPONSIBILITY FOR INCIDENTAL, CONSEQUENTIAL, OR OTHER DAMAGES INCLUDING, BUT NOT LIMITED TO, EXPENSE OF RETURNING THE PRODUCT TO AN AUTHORIZED RYOBI SERVICE CENTER AND EXPENSE OF DELIVERING IT BACK TO THE OWNER, MECHANIC'S TRAVEL TIME, TELEPHONE OR TELEGRAM CHARGES, RENTAL OF A LIKE PRODUCT DURING THE TIME WARRANTY SERVICE IS BEING PERFORMED, TRAVEL, LOSS OR DAMAGE TO PERSONAL PROPERTY, LOSS OF REVENUE, LOSS OF USE OF THE PRODUCT, LOSS OF TIME, OR INCONVENIENCE. SOME STATES DO NOT ALLOW THE EXCLUSION OR LIMITATION OF INCIDENTAL OR CONSEQUENTIAL DAMAGES, SO THE ABOVE LIMITATION OR EXCLUSION MAY NOT APPLY TO YOU.

This warranty gives you specific legal rights, and you may also have other rights which vary from state to state.

This warranty applies to all RYOBI® brand outdoor products manufactured by or for Techtronic Industries North America, Inc., and sold in the United States and Canada.

To locate your nearest Authorized Ryobi Service Center, dial 1-800-860-4050.





# INSTRUCTIONS IMPORTANTES CONCERNANT LA SÉCURITÉ

## **AVERTISSEMENT !**

Lors de l'utilisation d'outils de jardinage, toujours suivre les consignes de sécurité de base pour éviter les risques d'incendie, d'électrocution et de blessures.

## LIRE TOUTES LES INSTRUCTIONS




- Pour travailler en toute sécurité, lire et veiller à bien comprendre toutes les instructions avant d'utiliser ce produit. Respecter toutes les instructions de sécurité. Le non respect des instructions de sécurité ci-dessous peut entraîner des blessures graves.
- Ne pas laisser des enfants ou personnes n'ayant pas reçu une formation adéquate utiliser cet produit.
- Déblayer la zone de travail avant chaque utilisation. La débarrasser de tous les objets tels que cailloux, verre brisé, clous, fils métalliques, cordes, etc. risquant d'être projetés ou de se prendre dans la ligne de coupe ou la lame.
- Toujours porter une protection oculaire avec écrans latéraux certifiée conforme à la norme ANSI Z87.1. Le respect de cette règle réduira les risques de blessures graves.
- Utiliser les lunettes de sûreté – Toujours la visage d'usage ou le masque de poussière si l'opération est poussiéreuse.
- Protection respiratoire. Porter un masque facial ou un masque antipoussière si le travail produit de la poussière. Le respect de cette consigne réduira les risques de blessures graves.
- Porter des vêtements appropriés – On recommande d'utiliser des gants de caoutchouc et des chaussures solides pour le travail à l'extérieur. Porter des pantalons longs, manches longue, des chaussures et des gants épais. Ne pas porter de vêtements amples, bijoux, shorts, sandales et ne pas travailler pieds nus. Ils peuvent être pris dans les parties en mouvement. Attacher les cheveux longs pour les maintenir au-dessus des épaules, afin qu'ils ne se prennent pas dans les pièces en mouvement.
- Tenir les enfants éloignés - Ranger les appareils qui ne sont pas utilisés - Garder les badauds, enfants et animaux à une distance de 15 m (50 pi) minimum.
- Rester alerte – Se concentrer sur son travail. Faire preuve de bon sens. Ne pas utiliser ce taille-bordures en état de fatigue, si l'on est souffrant, si vous êtes bouleversé, ou sous l'influence de l'alcool, de drogues ou de médicaments.
- Ne pas travailler sous un éclairage insuffisant.
- Garder toutes les parties du corps à l'écart des pièces en mouvement.
- Ne pas utiliser d'outils électriques dans des atmosphères explosives, par exemple en présence de liquides, gaz ou poussières inflammables. Les outils électriques produisent des étincelles risquant d'enflammer les poussières ou vapeurs.
- Éviter tout contact du corps avec des surfaces mises à la terre, telles que tuyaux, radiateurs, cuisinières et réfrigérateurs. Le risque de choc électrique est accru lorsque le corps est mis à la terre.
- Éviter les environnements dangereux – Ne pas exposer le appareil ou outil à la pluie ou l'humidité. La pénétration d'eau dans ces outils accroît le risque de choc électrique.
- Utiliser les appareils appropriés – Ne pas utiliser l'outil pour une tâche pour laquelle il n'est pas conçu. Ne pas forcer l'produit. Utiliser un produit approprié pour le travail. Un produit approprié exécutera le travail mieux et de façon moins dangereuse s'il fonctionne dans les limites prévues.
- Ne pas forcer appareil – Un produit approprié exécutera le travail mieux et de façon moins dangereuse s'il fonctionne dans les limites prévues.
- Ne pas faire fonctionner l'équipement pied-nu ou en portant des sandales ou des chaussures légères similaires. Porter des chaussures de protection qui protègent vos pieds et améliorent votre équilibre sur des surfaces glissantes.
- Ne pas exagérer en se courbant ou en s'étirant. Se tenir bien campé et en équilibre. Cette façon de travailler pourrait vous faire perdre l'équilibre.
- Éviter les démarrages accidentels. S'assurer que la gâchette est verrouillée en position d'arrêt avant d'insérer le bloc piles. Le transport d'outils avec le doigt sur le commutateur ou l'insertion du bloc piles avec le commutateur en position de marche est une invite aux accidents.
- Ne pas utiliser l'produit si le commutateur ne permet pas de le mettre en marche et de l'arrêter. Tout produit qui ne peut pas être contrôlé par son commutateur est dangereux et doit être réparé.
- Débrancher l'appareil de la source d'alimentation avant d'entreposer, d'effectuer l'entretien ou de changer les accessoires comme le fil de coupe.
- Utiliser exclusivement des pièces de rechange et accessoire d'origine. L'usage de toute autre pièce pourrait créer une situation dangereuse ou endommager l'produit.
- Entretien soigneusement l'appareil - Si la tête de coupe est fendue, brisée ou endommagée de quelque façon que ce soit, la remplacer. S'assurer que la tête de coupe ou la lame est correctement installée et solidement assujettie. S'il ne le sont pas, l'opérateur court des risques de blessures graves. Suivre les instructions pour la lubrification et le changement d'accessoires. Vérifier régulièrement le cordon du taille-bordures. S'il est endommagé, il doit être remplacé. Garder le poignée secs, propres et exempts d'huile ou de graisse.
- Vérifier l'état des pièces – Avant d'utiliser l'appareil de nouveau examiner soigneusement les pièces et dispositifs de protection qui semblent endommagés afin de déterminer s'ils fonctionnent correctement et s'ils remplissent les fonctions prévues. Vérifier l'alignement des pièces mobiles, s'assurer qu'aucune pièce n'est bloquée ou cassée, vérifier la fixation de chaque pièce et s'assurer qu'aucun autre problème ne risque d'affecter le bon fonctionnement de l'outil. La réparation ou le remplacement du dispositif de protection ou de toute autre pièce doivent être confiés à un centre de réparations autorisé, sauf indication contraire dans le présent manuel.
- Éloigner les mains et les pieds de la zone de coupe.

# INSTRUCTIONS IMPORTANTES CONCERNANT LA SÉCURITÉ









- S'assurer que tous les dispositifs de protection, déflecteurs d'herbe et poignées sont correctement installés et solidement assujettis.
- Utiliser exclusivement des lignes de coupe d'origine. Ne pas utiliser un autre accessoire de coupe, tel que fil métallique, corde, ou autre. L'utilisation d'une tête de coupe d'autre marque sur cette tondeuse à fouet peut entraîner des blessures graves.
- Ne jamais utiliser l'appareil si le protecteur n'est pas en place et en bon état.
- Tenir fermement les deux poignées pendant le travail. Tenir la tête de coupe au-dessous du niveau de la taille. Ne jamais tailler avec la tête de coupe à plus de 762 mm (30 po) du sol.
- Entreposer les outils à l'intérieur - Quand pas dans l'usage, tondeuse à fouet devrait être emmagasiné à la maison dans un sec, fermé à clef la remettre dans un endroit inaccessible aux enfants.
- Ne jamais utiliser de lames ou de dispositifs à fléau, fil et cordes. L'unité est conçue pour être utilisée exclusivement avec un taille bordures à fil. Le fait d'utiliser l'appareil avec tout autre accessoire ou dispositif fait augmenter le risque de blessures.
- Examiner la surface à tondre. Retirer tous les objets (roches, verre brisé, clous, câble, corde etc.) qui peuvent être projetés dans les airs ou qui peuvent s'emmêler dans la tête de coupe.
- S'assurer que les événements d'aération sont propres et exempts de débris afin d'éviter que le moteur ne surchauffe. Les nettoyer après chaque utilisation.
- Arrêter l'appareil et le débrancher de la source d'alimentation lorsqu'il n'est pas utilisé. Attendre l'arrêt complet du moteur avant de déplacer l'appareil.
- Ranger l'appareil en s'assurant qu'il est débranché et qu'il est hors de la portée des enfants.
- Ne pas suspendre l'appareil d'une façon qui enclencherait la gâchette.
- Les outils fonctionnant sur piles n'ayant pas besoin d'être branchés sur une prise de courant, ils sont toujours en état de fonctionnement. Tenir compte des dangers possibles lorsque l'appareil n'est pas en usage et lors du remplacement des piles. Le respect de cette consigne réduira les risques d'incendie, de choc électrique et de blessures graves.
- Ne pas recharger un produit fonctionnant sur piles dans un endroit la pluie ou humide ou mouillé. Le respect de cette règle réduira les risques de choc électrique.
- Ne pas utiliser un appareil alimenté par pile sous la pluie.
- Retirer ou débrancher la pile avant l'entretien ou le nettoyage de l'appareil de jardin ou avant d'en retirer des matériaux.
- Pour utiliser l'appareil avec des piles au lithium-ion de 40 V. Voir « Consignes de sécurité relatives à l'outil, appareil, à la pile et au chargeur supplémentaire » 988000-842.
- Ranger les appareils qui ne sont pas utilisés – lorsque le taille-bordure n'est pas utilisé, le ranger à l'intérieur dans un endroit sec et verrouillé hors de la portée des enfants.
- Ne pas jeter les piles au feu. La cellule peut exploser. Vérifier les codes locaux pour connaître toute instruction spéciale relative à l'élimination des piles.
- Ne pas altérer le bloc piles. L'électrolyte est un produit corrosif pouvant causer des lésions cutanées ou oculaires. Il peut être toxique en cas d'ingestion.
- Ne pas placer les outils électriques sans fil ou leurs piles à proximité de flammes ou d'une source de chaleur. Ceci réduira les risques d'explosion et de blessures.
- Les piles peuvent exploser en présence d'une source d'allumage, telle qu'une veilleuse. Pour réduire les risques de blessures graves, ne jamais utiliser un appareil sans fil, quel qu'il soit, en présence d'une flamme vive. En explosant, une pile peut projeter des débris et des produits chimiques. En cas d'exposition, rincer immédiatement les parties atteintes avec de l'eau.
- Ne pas écraser, faire tomber ou endommager le bloc piles. Ne jamais utiliser un bloc piles ou un chargeur qui est tombé, a été écrasé, a reçu un choc violent ou a été endommagé de quelque façon que ce soit. Une pile endommagée risque d'exploser. Éliminer immédiatement toute pile endommagée, selon une méthode appropriée.
- Manipuler les piles avec soin pour éviter des courts circuits avec des objets conducteurs comme des anneaux, des bracelets et des clés. La pile ou l'objet conducteur peuvent surchauffer et causer des brûlures.
- Pour un résultat optimal, les piles de l'appareil doivent être rechargées dans un local où la température est de 10 à 38 °C (50 à 100 °F). Ne pas ranger l'appareil à l'extérieur ou dans un véhicule.
- Si l'appareil est utilisé de façon intensive ou sous des températures extrêmes, des fuites de pile peuvent se produire. En cas de contact du liquide avec la peau, rincez immédiatement la partie atteinte avec de l'eau savonneuse, puis neutralisez avec du jus de citron ou du vinaigre. En cas d'éclaboussure dans les yeux, rincez-les à l'eau fraîche pendant au moins 10 minutes, puis contactez immédiatement un médecin. Le respect de cette consigne réduira les risques de blessures graves.
- Conserver ces instructions. Les consulter fréquemment et les utiliser pour instruire les autres utilisateurs éventuels. Si cet appareil est prêté, il doit être accompagné de ces instructions.

# SYMBOLES

Les termes de mise en garde suivants et leur signification ont pour but d'expliquer le degré de risques associé à l'utilisation de ce produit.

SYMBOLE	SIGNAL	SIGNIFICATION
	<b>DANGER :</b>	Indique une situation extrêmement dangereuse qui, si elle n'est pas évitée, aura pour conséquences des blessures graves ou mortelles.
	<b>AVERTISSEMENT :</b>	Indique une situation potentiellement dangereuse qui, si elle n'est pas évitée, pourrait entraîner des blessures graves ou mortelles.
	<b>ATTENTION :</b>	Indique une situation potentiellement dangereuse qui, si elle n'est pas évitée, pourrait entraîner des blessures légères ou de gravité modérée.
	<b>AVIS :</b>	(Sans symbole d'alerte de sécurité) Indique une information importante ne concernant pas un risque de blessure comme une situation pouvant occasionner des dommages matériels.

Certains des symboles ci-dessous peuvent être utilisés sur produit. Veiller à les étudier et à apprendre leur signification. Une interprétation correcte de ces symboles permettra d'utiliser produit plus efficacement et de réduire les risques.

SYMBOLE	NOM	DÉSIGNATION / EXPLICATION
	Symbole d'alerte de sécurité	Indique un risque de blessure potentiel.
	Lire manuel d'utilisation	Pour réduire les risques de blessures, l'utilisateur doit lire et veiller à bien comprendre le manuel d'utilisation avant d'utiliser ce produit.
	Protection oculaire	Toujours porter une protection oculaire avec écrans latéraux certifiée conforme à la norme ANSI Z87.1.
	Avertissement concernant l'humidité	Ne pas exposer à la pluie ou l'humidité.
	Ne laisser personne s'approcher	Garder les badauds à une distance de 15 m (50 pi) minimum.
	Danger de ricochet	Ne pas utiliser le coupe-bordures sans le protecteur. Rester éloigné de la tête de coupe rotative.
	Ne pas utiliser de lame	Ne jamais utiliser une lame quelconque sur un outil portant ce symbole.
	Symboles de recyclage	Ce produit utilise les piles de lithium-ion (Li-ion). Les réglementations locales ou gouvernementales peuvent interdire de jeter les piles dans les ordures ménagères. Consulter les autorités locales compétentes pour les options de recyclage et/ou l'élimination.
==	Courant continu	Type ou caractéristique du courant
$n_0$	Vitesse à vide	Vitesse de rotation à vide
.../min	Par minute	Tours, coups, vitesse périphérique, orbites, etc., par minute
V	Volts	Tension
Hz	Hertz	Fréquence (cycles par seconde)
min	Minutes	Temps

# CARACTÉRISTIQUES

## FICHE TECHNIQUE

Moteur .....40 V C.C  
Largeur de coupe .....279,4 et 304,8 mm (11 et 13 po)  
Diamètre de ligne .....1,65 mm [0.065 in. (0,065 po)]

Poids (sans bloc-piles) .....2,83 kg (6,25 lb)  
Numéro de pièce de la bobine de remplacement ...AC14RSLA  
Numéro de pièce du couvercle de la bobine  
de remplacement .....AC14HCA

## VEILLER À BIEN CONNAÎTRE LA TAILLE-HAIES À LIGNE/TAILLE-BORDURES

Voir la figure 1.

L'utilisation sûre de ce produit exige une compréhension des renseignements figurant sur l'produit et contenus dans le manuel d'utilisation, ainsi qu'une bonne connaissance du projet entrepris. Avant d'utiliser ce produit, se familiariser avec toutes ses caractéristiques et règles de sécurité.

## DIAMÈTRE DE COUPE RÉGLABLE

Les diamètres de coupe de 279,4 et 304,8 mm (11 et 13 po) se règlent en tournant la lame de sectionnement du fil.

## POIGNÉE AVANT RÉGLABLE

L'ensemble poignée avant peut être réglé pour faciliter l'utilisation et prévenir les pertes de contrôle.

## ROUE DU TAILLE-BORDURE

La roue du taille-bordure tient le compte de l'exécution de coupe plus stable en taille-bordure.

## DÉFLECTEUR D'HERBE

La tondeuse est équipée d'un déflecteur d'herbe qui protège l'opérateur des débris projetés.

## SURMOULAGE POIGNÉE

Le surmoulage poignée procure un confort d'utilisation plus grand.

## BOUTON DE VERROUILLAGE

Le bouton de verrouillage prévient les démarrages accidentels.

## TÊTE DU TAILLE-HAIES ROTATIVE

La tête du taille-haies rotative peut être verrouillée en deux positions différentes pour faciliter l'utilisation lors de la taille de bordures.

## GÂCHETTE DE COMMANDE DE VITESSE VARIABLE

Cet outil est doté d'une gâchette de commande de vitesse sensible à la pression. La vitesse est contrôlée par la pression exercée sur la gâchette.

# ASSEMBLAGE

## DÉBALLAGE

Ce produit nécessite un assemblage.

- Avec précaution, sortir l'produit et les accessoires de la boîte. S'assurer que toutes les pièces figurant sur la liste de contrôle sont incluses.



### AVERTISSEMENT :

Ne pas utiliser le produit si, en le déballant, vous constatez que des éléments figurant dans la Liste de contrôle d'expédition sont déjà assemblés. Certaines pièces figurant sur cette liste n'ont pas été assemblées par le fabricant et exigent une installation. Le fait d'utiliser un produit qui a été assemblé de façon inadéquate peut entraîner des blessures.

- Examiner soigneusement l'produit pour s'assurer que rien n'a été brisé ou endommagé en cours de transport.

- Ne pas jeter les matériaux d'emballage avant d'avoir soigneusement examiné l'produit et avoir vérifié qu'il fonctionne correctement.
- Si des pièces manquent ou sont endommagées, appeler le 1-800-860-4050.

## LISTE DE CONTRÔLE D'EXPÉDITION

Bloc moteur

Accessoire taille-haies à ligne/taille-bordures

Déflecteur d'herbe

Manuel d'utilisation



### AVERTISSEMENT :

Si des pièces manquent ou sont endommagées, ne pas utiliser cet produit avant qu'elles aient été remplacées. Le non-respect de cet avertissement pourrait entraîner des blessures graves.

# ASSEMBLAGE

## **AVERTISSEMENT :**

Ne pas essayer de modifier cet produit ou de créer des accessoires non recommandés pour l'produit. De telles altérations ou modifications sont considérées comme un usage abusif et peuvent créer des conditions dangereuses, risquant d'entraîner des blessures graves.

## **AVERTISSEMENT :**

Toujours retirer le bloc-piles du produit ou le débrancher de l'alimentation électrique lors de l'assemblage des pièces pour prévenir le démarrage accidentel pouvant causer des blessures graves.

## OUTILS NÉCESSAIRES

Voir la figure 2.

La outil suivant (non inclus ou dessiné pour escalader) es nécessaire pour effectuer l'assemblage :

- Tournevis phillips

## RACCORDEMENT DU BLOC MOTEUR ARBRE À L'ARBRE DU TAILLE-BORDURES

Voir la figure 3.

## **AVERTISSEMENT :**

Ne jamais installer, retrait ou ajuster un accessoire lorsque le moteur tourne ou avec le bloc-piles installée. Pour éviter des blessures graves, arrêter le moteur ou enlever le bloc-piles.

L'accessoire se raccorde au bloc-moteur à l'aide d'un dispositif de couplage.

- Si est installé, retirer le bloc piles.
- Aligner les flèches de l'accessoire du taille-bordures/débroussailleuse et du bloc-moteur. Luego insérer la fiche dans le coupe-bordure ou le coupe-herbe dans la prise du bloc moteur. Assurer que le prise est entièrement placé.

- Glisser le coupleur sur la bloc moteur sur la base coupleur sur la accessoire et tourner le bague dans le droite. Serrer fermement.

**NOTE :** Une fois assemblé correctement, le accessoire taillehaies à ligne/taille-bordures et bloc moteur ne devraient pas se détacher l'un de l'autre. Répéter les étapes décrites précédemment si c'est le cas.

## **AVERTISSEMENT :**

Ne pas verrouiller du taille-haies à ligne/taille-bordures et bloc moteur aux instructions ci-dessus peut entraîner des blessures graves.

## RETRAIT DE L'ACCESSOIRE DU BLOC-MOTEUR

- Retirer le bloc piles.
- Tourner le coupleur dans le sens contraire aux aiguilles d'une montre pour déverrouiller. Puis, retirer l'arbre du taille-bordures du bloc moteur.

## FIXATION DU DÉFLECTEUR D'HERBE

Voir les figures 4 et 5.

## **AVERTISSEMENT :**

La lame coupe ligne du déflecteur est tranchante. Éviter de la toucher. Le contact avec la lame peut causer des blessures graves.

- Retirer le bloc piles.
- Retirer le sachet en plastique du déflecteur d'herbe.
- Adapter le déflecteur d'herbe dans la tête de coupe.
- Aligner les trous du déflecteur d'herbe avec le trous central de la boîte du moteur.
- Installer la vis fournie et la serrer en tournant dans le sens horaire avec un tournevis cruciforme.

# UTILISATION

## **AVERTISSEMENT :**

Ne pas laisser la familiarité avec l'produit faire oublier la prudence. Ne pas oublier qu'une fraction de seconde d'inattention peut entraîner des blessures graves.

## **AVERTISSEMENT :**

Toujours porter une protection oculaire avec écrans latéraux certifiée conforme à la norme ANSI Z87.1. Si cette précaution n'est pas prise, des objets peuvent être projetés dans les yeux et causer des lésions graves.

## **AVERTISSEMENT :**

Ne jamais utiliser de lames ou de dispositifs à fléau, fil et cordes sur ce produit. Ne pas utiliser d'outils ou accessoires non recommandés par le fabricant pour cet produit. L'utilisation de pièces et accessoires non recommandés peut entraîner des blessures graves.

Ce produit est compatible avec les piles 40 V au lithium-ion de Ryobi.

Pour prendre connaissance de l'ensemble des instructions relatives à la charge, consulter les manuels d'utilisation des batteries de Ryobi et des modèles de chargeur connexes.

## **AVERTISSEMENT :**

Toujours retirer la pile de l'outil au moment d'assembler des pièces, d'effectuer des réglages et de procéder au nettoyage, ou lorsque l'outil n'est pas utilisé. Le fait de retirer la pile permet d'empêcher un démarrage accidentel pouvant entraîner des blessures graves.

## **INSTALLATION DU BLOC-PILES**

Voir la figure 6.

- Placer la pile dans le taille-bordures. Aligner la nervure en saillie du bloc-piles sur la rainure du logement du taille-haies.

## **AVERTISSEMENT :**

S'assurer que le loquet au bas du bloc-piles s'enclenche et que le bloc-piles est installé et fixé correctement au taille-haie avant de commencer le travail. Ne pas installer et fixer correctement le bloc-piles peut provoquer la chute de ce dernier et occasionner des blessures graves.

## **RETRAIT DU BLOC-PILES**

Voir la figure 6.

- Appuyer et maintenir enfoncé le bouton du loquet du bloc-piles situé au bas du bloc-piles.
- Retirer le bloc-piles du taille-bordures.

## **AVERTISSEMENT :**

Pour éviter des blessures graves, toujours retirer le bloc-piles et tenir à distance de mains le bouton de verrouillage en portant l'outil.

## **MISE EN MARCHÉ ET ARRÊT DU TAILLE-BORDURES**

Voir la figure 7.

**Pour démarrer :**

- Maintenir le bouton de verrouillage enfoncé.
- Appuyer sur la gâchette.

**Pour arrêter :**

- Pour arrêter le taille-bordures, relâcher la gâchette.
- Lorsque la gâchette est relâchée, le bouton de verrouillage se remet automatiquement en position verrouillée.

## **POIGNÉE AVANT RÉGLABLE**

Voir la figure 8.

La poignée avant peut être réglée à un angle de 180 °.

- Retirer le bloc piles.
- Déposer le taille-bordures sur une surface plane et tourner le bouton dans le sens antihoraire pour desserrer la poignée.
- Pour tailler l'herbe, régler la poignée vers le haut.
- Pour couper des bordures, régler la poignée vers le bas.
- Tourner le bouton dans le sens horaire jusqu'à ce que la poignée soit serrée solidement avant de réinstaller la pile.

## **UTILISATION DU TAILLE-BORDURES**

Voir la figure 9.

**Suivre ces conseils lors de l'utilisation de la tondeuse à fouet:**

- Tenir la tondeuse à fouet avec la main droite sur la poignée arrière et la main gauche sur la poignée avant.
- Garder une prise ferme sur les deux poignées pendant le fonctionnement.
- Maintenir le taille-bordures dans une position confortable, la poignée arrière à peu près à hauteur de la taille.
- Couper les herbes hautes de haut en bas. Ceci empêchera l'herbe de s'enrouler sur le perche et la tête de coupe, ce qui pourrait causer des dommages dus à une surchauffe.

# UTILISATION

## Si l'herbe s'enroule autour de la tête de coupe :

- Retirer le bloc-piles.
- Éliminer l'herbe.

### **AVERTISSEMENT :**

Toujours tenir le taille-bordures distance de soi en maintenant un périmètre de sécurité entre le corps et la tondeuse à fouet. Tout contact avec la tête de coupe de la taille-bordures en cours d'utilisation peut causer des blessures graves.

## CONSEILS

Voir les figures 10 et 11.

- Pour une efficacité maximum, garder la tondeuse à fouet inclinée vers la zone de coupe.
- La tondeuse à fouet coupe lors du passage de l'unité de droite à gauche. Ceci évite que les débris soient projetés en direction de l'opérateur. Éviter de couper dans la zone dangereuse illustrée à la figure 10.
- Couper avec l'extrémité du ligne ; ne pas forcer la tête de coupe dans l'herbe non coupée.
- Les palissades en métal et en bois accélèrent l'usure de ligne et peuvent le casser. Les murs en pierre et brique, trottoirs et pièces de bois peuvent accélérer l'usure de ligne.
- Contourner les arbres et buissons. L'écorce des arbres, les moulures en bois, le lambrissage et les piquets de palissades peuvent être endommagés par la ligne.

## AVANCE DE LIGNE DE COUPE

**NOTE :** Le taille-bordures est équipé avec une tête d'auto-nourrit. Frapper la tête pour essayer d'avancer la ligne endommagera la garantie plus mince et vide.

- La tondeuse à fouet en marche, faire tourner le moteur à plein régime.
- Attendre deux secondes puis appuyer sur la gâchette.  
**NOTE :** À chaque activation de la gâchette, la ligne s'allongera de 6,35 mm (1/4 po) jusqu'à ce qu'elle soit de la longueur de la lame coupe-ligne.
- Continuer le travail.

## AVANCE MANUELLE DE LIGNE

Voir la figure 12.

- Retirer le bloc piles.
- Appuyer sur le bouton noir situé sur la tête de coupe tout en tirant sur la ligne pour le faire avancer manuellement.

## LAME DE SECTIONNEMENT DE LIGNE

Voir la figure 13.

Cette tondeuse est équipée d'une lame coupe-ligne montée sur le protecteur. Pour obtenir une coupe optimale, faire progresser le fil jusqu'à ce qu'il soit coupé à la longueur correcte par la lame coupe-ligne. Le fil doit être avancé chaque fois que le moteur tourne à une vitesse supérieure à la normale ou lorsque la coupe devient moins efficace. Ceci permet de maintenir une efficacité maximum et de maintenir une longueur de fil suffisante pour avancer correctement.

Cette taille-bordure est actuellement réglée au 11 po (279,4 mm) largeur de coupe. Pour ajuster à une largeur de coupe de 13 po (304,8 mm):

- Retirer le bloc piles.
- Desserrer la tornillo de la hojatourne alors la lame de sectionnement du fil 180°.
- Serrer la tornillo de la hoja.

## TAILLE DES BORDURES

Voir les figures 14 et 15.

- Retirer le bloc piles.
- Marcher en bas sur la pédale de pied.
- Tourner la tête du taille-haies placer dans le sens inverse des aiguilles d'une montre l'outil dans la position taille-bordures.

### **AVERTISSEMENT :**

Toujours tenir le taille-bordures distance de soi en maintenant un périmètre de sécurité entre le corps et la tondeuse à fouet. Tout contact avec la tête de coupe de la taille-bordures en cours d'utilisation peut causer des blessures graves.

### **AVERTISSEMENT :**

Ne jamais se tenir dans la ligne de coupe. Toujours debout à la gauche du déflecteur d'herbe pour éviter les débris jetés, ce qui pourrait entraîner des blessures graves.



# ENTRETIEN

## **AVERTISSEMENT :**

Utiliser exclusivement des pièces d'origine pour les réparations. L'usage de toute autre pièce pourrait créer une situation dangereuse ou endommager l'produit.

## **AVERTISSEMENT :**

Toujours porter une protection oculaire avec écrans latéraux certifiée conforme à la norme ANSI Z87.1. Si cette précaution n'est pas prise, des objets peuvent être projetés dans les yeux et causer des lésions graves.

## **AVERTISSEMENT :**

Pour empêcher un démarrage accidentel pouvant entraîner des blessures graves, toujours retirer le piles de l'produit avant tout nettoyage ou entretien.

## ENTRETIEN GÉNÉRAL

Avant chaque utilisation, inspecter au complet le produit afin de s'assurer qu'aucune pièce (vis, écrous, boulons, chapeaux, etc.) n'est endommagée, manquante ou desserrée. Serrer solidement toutes les pièces de fixation et les chapeaux et ne pas utiliser le produit tant que toutes les pièces manquantes ou endommagées n'ont pas été remplacées. Veuillez composer le 1-800-860-4050 ou communiquer avec un centre de réparations agréé pour obtenir de l'aide.

Éviter d'utiliser des solvants pour le nettoyage des pièces en plastique. La plupart des matières plastiques peuvent être endommagées par divers types de solvants du commerce. Utiliser un chiffon propre pour éliminer la saleté, la poussière, l'huile, la graisse, etc.

## **AVERTISSEMENT :**

Ne jamais laisser de liquides tels que le fluide de freins, l'essence, les produits à base de pétrole, les huiles pénétrantes, etc., entrer en contact avec les pièces en plastique. Les produits chimiques peuvent endommager, affaiblir ou détruire le plastique, ce qui peut entraîner des blessures graves.

Seules les pièces figurant sur la liste de contrôle sont conçues pour être réparées ou remplacées par l'utilisateur. Toutes les autres pièces doivent être remplacées dans un centre de réparations agréé.

## REPLACEMENT DE LA BOBINE

Voir la figure 16.

Utiliser exclusivement de ligne monofilament de 1,65 mm (0,065 po) de diamètre. Pour une efficacité maximum, utiliser exclusivement un ligne d'origine.

- Retirer le bloc piles.
- Enfoncer les languettes sur le côté de la retenue de bobine.
- Tourner la retenue de bobine vers le haut, pour la retirer.
- Retirer la bobine.
- Lors de l'installation d'une bobine neuve, s'assurer que la ligne sont engagés dans la fente de la bobine neuve. Veiller à ce que la ligne dépassent la fente d'environ 152 mm (6 po).
- Installer la nouvelle bobine de sorte que la ligne et le fente soient alignés avec l'œillet le plus proche de la tête de coupe. Passer la ligne dans les œillet de la tête de coupe.
- Tirer sur la ligne qui dépassent de la tête de coupe afin de dégager la ligne de fente de la bobine.
- Réinstaller la retenue de bobine en insérant les languettes dans les fentes et en enfonçant jusqu'à ce que la retenue de bobine s'insère en place.

## REPLACEMENT DE LIGNE

Voir les figures 16 et 17.

- Retirer le bloc piles.
- Retirer la bobine de la tête de coupe.  
**NOTE :** Retirer la ligne restant éventuellement sur la bobine.
- Couper un segment de ligne d'une longueur d'environ 2,7 m (9 pi). Utiliser seulement de ligne monofilament de 1,65 mm (0,065 po) de diamètre.
- Insérer la ligne dans le trou d'attache de la partie supérieur de la bobine. Enrouler la ligne dans la partie supérieure de la bobine, tel qu'indiqué par les flèches sur la bobine. Placer la ligne dans la fente de la collerette supérieure de la bobine, en laissant le laissant dépasser d'environ 152 mm (6 po) de la fente. Ne pas remplir à l'excès. Une fois enroulé, il devrait y avoir une longueur d'au moins 6 mm (1/4 po) entre la ligne enroulé et la bordure extérieure de la bobine.
- Remettre la retenue en plastique, la bobine et sa retenue en place. Voir **Remplacement de la bobine** plus haut dans ce manuel.

# ENTRETIEN

## REMISAGE DU TAILLE-HAIES À LIGNE

- Retirer la pile du taille-haies avant de le ranger.
- Nettoyer soigneusement le taille-haies.
- La remettre dans un endroit inaccessible aux enfants.

- Le tenir à l'écart de produits corrosifs, tels que les produits chimiques de jardinage et le sel de dégivrage.
- Numéro de pièce de la bobine de remplacement ...AC14RSLA  
Numéro de pièce du couvercle de la bobine de remplacement .....AC14HCA

# DÉPANNAGE

PROBLÈME	CAUSE POSSIBLE	SOLUTION
Le ligne n'avancera pas si une tête à avance automatique est utilisée	Ligne soudée sur elle-même.	Lubrifier avec un produit au silicone.
	Pas assez de ligne sur la bobine.	Installer une nouvelle ligne. Voir <b>Remplacement de ligne</b> , plus haut dans ce manuel.
	Ligne trop courte.	Tirez la ligne tout en appuyant sur le bouton.
	Ligne emmêlée sur la bobine.	Retirer la ligne du de la bobine et la rembobiner. Voir <b>Remplacement de la ligne</b> , plus haut dans ce manuel.
L'herbes s'enroule sur le tube de l'arbre moteur et la tête de coupe	Coupe de hautes herbes au ras du sol.	Couper les herbes hautes du haut en bas.
Le moteur ne démarre pas quand change la gâchette	Le bloc-piles n'est pas fixée.	Pour la fixer, s'assurer que le loquet au bas du bloc-piles est enclenché correctement.
	Le bloc-piles n'est pas chargée.	Charger la pile conformément aux instructions fournis avec ce modèle.
	Raccordement de l'arbre incomplet	S'assurer que l'arbre du taille-bordures est correctement installé sur le coupleur du bloc moteur.



## NOUS APPELER D'ABORD

Pour toute question concernant l'utilisation ou l'entretien utiliser ce produit, appeler le service d'assistance téléphonique Ryobi®  
Le taille-bordures a été entièrement testé avant expédition pour assurer la complète satisfaction de l'utilisateur.

# GARANTIE

## ÉNONCÉ DE LA GARANTIE LIMITÉE

Techtronic Industries North America, Inc., garantit à l'acheteur original que ce produit RYOBI® est exempt de tous vices de matériaux ou de fabrication et s'engage à réparer ou remplacer gratuitement, à son choix, tout produit s'avérant défectueux au cours des périodes indiquées ci-dessous, à compter de la date d'achat.

- Trois ans sur les produits utilisés par des particuliers ;
- 90 jours sur les produits utilisés à toutes autres fins, telles que les travaux commerciaux et la location.

Cette garantie n'est offerte qu'à l'acheteur original et entre en vigueur à la date de l'achat original.

Toute pièce de ce produit jugée, après évaluation raisonnable par Techtronic Industries North America, Inc., comme présentant des vices de matériaux ou de fabrication, sera réparée ou remplacée, sans facturation pour pièces ou main d'oeuvre par un centre de réparations agréé pour produits d'extérieur de marque RYOBI® (centre de réparations Ryobi agréé).

Le produit, y compris toutes les pièces défectueuses devront être retournés à un centre de réparations Ryobi agréé, avant expiration de la période de garantie. Les frais d'expédition au centre de réparations pour les travaux sous garantie et de retour au propriétaire du produit seront assumés par le propriétaire. En ce qui concerne les réclamations en garantie, la responsabilité Techtronic Industries North America, Inc., se limitera à la réparation ou au remplacement des produits défectueux et aucune revendication de rupture de garantie ne pourra causer l'annulation ou la résiliation du contrat de vente d'un produit d'extérieur RYOBI® quel qu'il soit. Une preuve d'achat sera exigée par le centre de réparation, afin de valider toute réclamation au titre de la garantie. Toutes les réparations sous garantie devront être effectuées par un centre de réparations agréé.

La garantie sur tout produit d'extérieur RYOBI® utilisé pour la location, des travaux commerciaux ou tout autre usage lucratif, sera limitée à quatre-vingt-dix (90) jours, à compter de la date d'achat au détail original.

Cette garantie ne couvre pas les produits ayant fait l'objet d'un usage abusif ou négligent, d'un manque d'entretien, ayant été impliqués dans un accident ou employé de façon contraire aux instructions du manuel d'utilisation. Cette garantie ne couvre ni les dommages aux produits résultant d'un manque d'entretien, ni les produits qui ont été altérés ou modifiés. La garantie exclut les réparations rendues nécessaires par l'usure normale ou l'utilisation de pièces et accessoires incompatibles avec le produit d'extérieur RYOBI® ou nuisibles à son bon fonctionnement, ses performances ou sa durabilité. En outre, cette garanti exclut :

A. Les réglages – Bougies, carburateur, réglages du carburateur, allumage, filtres

B. Les articles consommables – Boutons d'avance par choc, bobines externes, lignes de coupe, bobines internes, poulies et cordons de lanceur, courroies d'entraînement, dents, rondelles en feutre, axes d'attelage, lames de paillage, ventilateur de soufflante, tubes de soufflage et d'aspiration, sacs à débris, guides, chaînes de scie

Techtronic Industries North America, Inc., se réserve le droit d'apporter des modifications ou améliorations à tout produit extérieur RYOBI®, sans obligation de modifier les produits fabriqués antérieurement.

LA DURÉE DE TOUTES LES GARANTIES IMPLICITES NE SAURAIT EN AUCUN CAS EXCÉDER LA PÉRIODE DE GARANTIE DÉCLARÉE. PAR CONSÉQUENT, TOUTES LES GARANTIES IMPLICITES, Y COMPRIS LES GARANTIES DE VALEUR MARCHANDE OU D'ADÉQUATION À UN USAGE PARTICULIER OU AUTRES SERONT INVALIDÉES À L'EXPIRATION DE LA PÉRIODE DE GARANTIE APPROPRIÉE DE TROIS ANS OU QUATRE-VINGT-DIX JOURS. LES OBLIGATIONS DE TECHTRONIC INDUSTRIES NORTH AMERICA, INC., DANS LE CADRE DE CETTE GARANTIE SE LIMITENT EXCLUSIVEMENT À LA RÉPARATION OU AU REMPLACEMENT DES PIÈCES DÉFECTUEUSES ET TECHTRONIC INDUSTRIES NORTH AMERICA, INC. N'ASSUME OU N'AUTORISE QUICONQUE À ASSUMER QUELQUE AUTRE OBLIGATION QUE CE SOIT. CERTAINS ÉTATS ET PROVINCES NE PERMETTANT PAS DE LIMITATION DE DURÉE DES GARANTIES IMPLICITES, LES RESTRICTIONS CI-DESSOUS PEUVENT NE PAS ÊTRE APPLICABLES. TECHTRONIC INDUSTRIES NORTH AMERICA, INC., DÉCLINE TOUTE RESPONSABILITÉ EN CE QUI CONCERNE LES DOMMAGES DIRECTS, INDIRECTS OU AUTRES, Y COMPRIS, MAIS SANS S'Y LIMITER, LES FRAIS DE RETOUR DE PRODUITS À UN CENTRE DE RÉPARATION RYOBI AGRÉÉ ET DE RENVOI AU PROPRIÉTAIRE, DE DÉPLACEMENT D'UN TECHNICIEN, DE TÉLÉPHONE OU TÉLÉGRAMME, DE LOCATION D'UN PRODUIT SIMILAIRE PENDANT LA DURÉE DES RÉPARATIONS SOUS GARANTIE, DE DÉPLACEMENT, DE PERTES OU DOMMAGES À DES BIENS PERSONNELS, DE MANQUE À GAGNER, DE PERTE D'USAGE DU PRODUIT, DE PERTE DE TEMPS OU DE DÉRANGEMENT. CERTAINS ÉTATS ET PROVINCES NE PERMETTANT L'EXCLUSION OU LA LIMITATION DES DOMMAGES DIRECTS OU INDIRECTS, LES RESTRICTIONS CI-DESSOUS PEUVENT NE PAS ÊTRE APPLICABLES.

Cette garantie donne au consommateur des droits spécifiques, et celui-ci peut bénéficier d'autres droits, qui varient selon les états ou provinces.

Cette garantie couvre tous les produits d'extérieur RYOBI® fabriqués par Techtronic Industries North America, Inc., vendus aux États-Unis et au Canada.

Pour obtenir l'adresse du centre de réparations Ryobi agréé le plus proche, appeler le 1-800-860-4050.



# INSTRUCCIONES DE SEGURIDAD IMPORTANTES

## ¡ADVERTENCIA!

Al utilizar herramientas eléctricas para el cuidado del jardín, con el fin de reducir el riesgo de incendio, descargas eléctricas y lesiones corporales, siempre deben seguirse ciertas medidas básicas de precaución.

## LEA TODAS LAS INSTRUCCIONES




- Para la operación segura, lea y entienda todas las instrucciones antes de usar este producto. Siga todas las instrucciones de seguridad. La inobservancia de todas las instrucciones de seguridad señaladas abajo puede causar lesiones corporales graves.
- No permita que utilicen esta unidad niños ni personas carentes de la debida instrucción para su manejo.
- Limpie el área de trabajo cada vez antes de usar la unidad. Retire todos los objetos tales como piedras, vidrios rotos, clavos, alambre o cuerdas que pudiesen resultar lanzados o enredados en el hilo de corte o cuchilla, según sea el caso.
- Siempre póngase protección ocular con protección lateral con la marca de cumplimiento de la norma ANSI Z87.1. Si se cumple esta regla, se reduce el riesgo de lesiones serias.
- Utilice anteojos seguridad – siempre cara de uso o máscara de polvo si la operación está polvorienta.
- Protéjase los pulmones. Use una careta o mascarilla contra el polvo si la operación genera mucho polvo. Con el cumplimiento de esta regla se reduce el riesgo de lesiones serias.
- Vístase adecuadamente – Se recomienda el uso de guantes de goma y un calzado resistente cuando se trabaja a la intemperie. Póngase pantalones largos de tela gruesa, mangas largo, botas y guantes. No se ponga ropa holgada o pantalones cortos, ni ande descalzo. No vista ropas holgadas ni joyas. Pueden quedar atrapadas en las piezas móviles. Recójase el cabello largo arriba del nivel de los hombros para evitar que se enrede en las piezas móviles.
- Mantenga alejados a los niños - Mantenga alejados a todos los circunstantes, niños y animales a una distancia mínima de 15 m (50 pies).
- Permanezca alerta – Preste atención a lo que esté haciendo. Use el sentido común. No use esta unidad cuando se encuentre fatigado, enfermo, molesto o bajo los efectos del alcohol, drogas o medicamentos.
- No utilice la unidad en condiciones deficientes de iluminación.
- Mantenga todas las partes del cuerpo alejadas de toda pieza en movimiento.
- No utilice herramientas motorizadas en atmósferas explosivas, como las existentes alrededor de líquidos, gases y polvos inflamables. Las herramientas eléctricas generan chispas que pueden encender el polvo y los vapores inflamables.
- Evite el contacto del cuerpo con objetos conectados a tierra, como las tuberías, radiadores, estufas y refrigeradores. Existe un mayor riesgo de descargas eléctricas si el cuerpo está en contacto con tierra.
- Evite los entornos de trabajo peligrosos - No exponga las aparato or herramienta eléctricas a la lluvia ni a condiciones de humedad. La introducción de agua en una herramienta eléctrica aumenta el riesgo de descargas eléctricas.
- Vístase adecuadamente – No utilice este producto para ninguna función diferente de las especificadas. No fuerce la herramienta. Utilice la herramienta adecuada para cada tarea. El uso de la herramienta adecuada a la velocidad para la que está diseñada, efectuará el trabajo de mejor y más segura manera.
- No fuerce la herramienta – El uso de la herramienta adecuada a la velocidad para la que está diseñada, efectuará el trabajo de mejor y más segura manera.
- No accione el equipo cuando esté descalzo o al llevar puestas sandalias o calzado liviano similar. Use calzado de seguridad que le proteja sus pies y mejore su postura en superficies resbaladizas.
- No estire el cuerpo para alcanzar mayor distancia- Mantenga los pies bien afirmados y el equilibrio.
- Evite un arranque accidental de la unidad. Asegúrese de que el interruptor esté en la posición de aseguramiento o de apagado antes de instalar el paquete de baterías. Llevar las herramientas con el dedo en el interruptor o instalar el paquete de baterías en la herramienta con el interruptor puesto es causa común de accidentes.
- No utilice la herramienta si el interruptor no enciende o no apaga. Una herramienta que no pueda controlarse con el interruptor es peligrosa y debe repararse.
- Desconecte la clavija de la toma de corriente antes de guardar la herramienta. Tales medidas preventivas de seguridad reducen el riesgo de poner en marcha accidentalmente la herramienta.
- Sólo utilice piezas de repuesto idénticas y accesorios del fabricante original. El empleo de piezas diferentes puede causar un peligro o dañar el producto.
- Mantenga este artefacto con cuidado - Cambie el cabezal del hilo, si está agrietado, desportillado o dañado de cualquier forma. Asegúrese de que el cabezal del hilo, o cuchilla, según sea el caso, esté debidamente instalado y firmemente asegurado. Siga las instrucciones para lubricar y cambiar accesorios. Inspeccione el cable de la recortadora periódicamente y, si está dañado, reemplácelo. Mantenga el mango secos, limpios y sin aceite ni grasa.
- Inspeccione toda pieza dañada – Antes de seguir utilizando del aparato, es necesario inspeccionar cuidadosamente toda protección si pieza dañada para determinar si funcionará correctamente y desempeñará la función a la que está destinada. Verifique la alineación de las partes móviles, que no haya atoramiento de partes móviles, que no haya piezas rotas, el montaje de las piezas y cualquier otra condición que pudiera afectar su funcionamiento. Cualquier protección o pieza que esté dañada debe ser reparada apropiadamente o reemplazada en un centro de servicio autorizado, a menos que se indique otra cosa en este manual.
- Mantenga las manos y los pies alejados del área de corte.
- Asegúrese de que todas las protecciones, correas, mangos y deflectores de hierba estén acoplados debidamente y de manera segura.

# INSTRUCCIONES DE SEGURIDAD IMPORTANTES









- En el cabezal de corte use únicamente hilo de repuesto del fabricante original. No use ningún otro aditamento de corte, por ejemplo, cable metálico, cuerda o producto similar. Instalar cualquier otra marca de hilo de corte en esta recortadora de hilo puede producir lesiones corporales serias.
- Nunca utilice la unidad si el deflector de pasto no está montado en su lugar y en buenas condiciones de funcionamiento.
- Al usar la recortadora, sujétela firmemente por ambos mangos. Mantenga el cabezal del hilo por debajo del nivel de la cintura. Nunca corte con el cabezal del hilo a más de 762 mm (30 pulg.) del suelo.
- Guarde en el interior los artefactos que no esté usando - Mientras no se esté utilizando, la recortadora de hilo debe almacenarse en el interior, en un sitio seco y bajo llave, lejos del alcance de los niños.
- Nunca use hojas, dispositivos movibles, alambre ni cuerdas. Esta unidad se diseñó para usar con recortadora de hilo únicamente. El uso de cualquier otro accesorio o aditamento aumenta el riesgo de lesiones.
- Inspeccione el área por cortar. Retire todos los objetos (piedras, vidrio roto, clavos, alambre, hilo, etc.) que puedan salir disparados o enredarse en el cabezal de corte.
- Mantenga las rejillas de ventilación limpias y sin desechos para evitar que se recaliente el motor. Límpielas cada vez, después de usar la herramienta.
- Apague la unidad y desconecte el suministro de corriente cuando no esté en uso. Traslade la unidad con el motor apagado.
- Guarde la unidad desenchufada y fuera del alcance de los niños.
- No cuelgue la unidad de modo que el gatillo del interruptor quede presionado.
- Las herramientas de baterías no se necesitan conectar a una toma de corriente; por lo tanto, siempre están en condiciones de funcionamiento. Esté consciente de los posibles peligros cuando no esté usando la herramienta de baterías o cuando esté cambiando los accesorios de la misma. Con el cumplimiento de esta regla se reduce el riesgo de una descarga eléctrica, incendio o lesión corporal seria.
- No cargue herramientas de baterías en lugares mojados o húmedos. Con el cumplimiento de esta regla se reduce el riesgo de una descarga eléctrica.
- No use aparatos accionados por baterías en la lluvia.
- Quite o desconecte la batería antes de proporcionarle servicio, realizarle una limpieza o quitar material del aparato para el cuidado del jardín.
- Cargue las baterías solamente con el cargador indicado. Para utilizar con paquetes de baterías de iones de litio de 40 V, consulte el folleto de la herramienta/aparato/paquete de baterías/cargador complementario 988000-842.
- Guarde los aparatos que no se están usando - Cuando no se está usando, se debe guardar la recortadora de hilo en el interior, en un lugar seco y cerrado con llave, inaccesible a los niños.
- No deseche las baterías en el fuego. Las baterías pueden estallar. Verifique los códigos de la localidad para conocer posibles instrucciones especiales para desecharlas.
- No desarme el paquete de baterías. El electrolito emitido es corrosivo y puede causar daños en los ojos y en la piel. Puede ser tóxico si se ingiere.
- No coloque herramientas de baterías ni las baterías mismas cerca del fuego o del calor. De esta manera se reduce el riesgo de explosiones y de lesiones.
- Las baterías pueden explotar en presencia de una fuente de inflamación, como una luz guía. Para reducir el riesgo de lesiones corporales serias, nunca use un producto inalámbrico en presencia de llamas expuestas. La explosión de una pila puede lanzar fragmentos y compuestos químicos. Si ha quedado expuesto a la explosión de una pila, lávese de inmediato con agua.
- No aplaste, deje caer o dañe la pila. Nunca utilice una pila o cargador que se ha caído, aplastado, recibido un golpe contundente o ha sido dañado(a) de alguna manera. Las baterías dañadas pueden sufrir explosiones. Deseche de inmediato toda pila que haya sufrido una caída o cualquier daño.
- Tenga cuidado cuando maneje baterías a fin de no realizar un cortocircuito en la batería con materiales conductores como anillos, brazaletes y llaves. La batería o el conductor pueden recalentarse y provocar quemaduras.
- Para obtener resultados óptimos, debe cargar la herramienta de baterías en un lugar donde la temperatura esté entre 50 °F y 100°F. No guarde la herramienta a la intemperie ni en el interior de vehículos.
- En condiciones extremas de uso o temperatura las baterías pueden emanar líquido. Si el líquido llega a tocarle la piel, lávese de inmediato con agua y jabón, y después neutralice los efectos con jugo de limón o vinagre. Si le entra líquido en los ojos, láveselos con agua limpia por lo menos 10 minutos, y después busque de inmediato atención médica. Con el cumplimiento de esta regla se reduce el riesgo de lesiones corporales serias.
- Guarde estas instrucciones. Consúltelas con frecuencia y empléelas para instruir a otras personas que puedan utilizar esta herramienta. Si presta a alguien esta herramienta, facilítele también las instrucciones.

# SÍMBOLOS

Las siguientes palabras de señalización y sus significados tienen el objeto de explicar los niveles de riesgo relacionados con este producto.

SÍMBOLO	SEÑAL	SIGNIFICADO
	<b>PELIGRO:</b>	Indica una situación peligrosa inminente, la cual, si no se evita, causará la muerte o lesiones serias.
	<b>ADVERTENCIA:</b>	Indica una situación peligrosa posible, la cual, si no se evita, podría causar la muerte o lesiones serias.
	<b>PRECAUCIÓN:</b>	Indica una situación peligrosa posible, la cual, si no se evita, podría causar lesiones menores o leves.
	<b>AVISO:</b>	(Sin el símbolo de alerta de seguridad) Indica información importante no relacionada con ningún peligro de lesiones, como una situación que puede ocasionar daños físicos.

Es posible que se empleen en este producto algunos de los siguientes símbolos. Le suplicamos estudiarlos y aprender su significado. Una correcta interpretación de estos símbolos le permitirá utilizar mejor y de manera más segura el producto.

SÍMBOLO	NOMBRE	DENOMINACIÓN/EXPLICACIÓN
	Alerta de seguridad	Indica un peligro posible de lesiones personales.
	Lea manual del operador	Para reducir el riesgo de lesiones, el usuario debe leer y comprender el manual del operador antes de usar este producto.
	Protección ocular	Siempre póngase protección ocular con protección lateral con la marca de cumplimiento de la norma ANSI Z87.1.
	Alerta de condiciones húmedas	No exponga la unidad a la lluvia ni la use en lugares húmedos.
	Mantenga alejadas a las personas presentes	Mantenga a los circunstantes a una distancia mínima de 15 m (50 pies).
	Rebote	Cualquier objeto lanzado puede rebotar y producir lesiones personales o daños físicos.
	No instale hoja de corte	No instale ni utilice ningún tipo de hoja de corte en ningún producto con este símbolo.
	Símbolo de reciclado	Este producto contiene baterías de iones de litio (Li-ion). Es posible que algunas leyes municipales, estatales o federales prohíban desechar las baterías de níquel-cadmio en la basura normal. Consulte a las autoridades reguladoras de desechos para obtener información en relación con las alternativas de reciclado y desecho disponibles.
==	Corriente continua	Tipo o característica de corriente
$n_0$	Velocidad en vacío	Velocidad de rotación, en vacío
.../min	Por minuto	Revoluciones, carreras, velocidad superficial, órbitas, etc., por minuto
V	Volts	Voltaje
Hz	Hertz	Frecuencia (ciclos por segundo)
min	Minutos	Tiempo

# CARACTERÍSTICAS

## ESPECIFICACIONES

Motor ..... 40 V c.c.  
Ancho de corte ..... 279,4 y 304,8 mm (11 y 13 pulg.)  
Diámetro del hilo ..... 1,65 mm [0.065 in. (0,065 po)]

Peso (sin paquete de baterías) ..... 2,83 kg (6,25 lbs)  
Núm. pieza del carrete de repuesto ..... AC14RSLA  
Núm. pieza de la tapa del carrete de repuesto ... AC14HCA

## FAMILIARÍCESE CON SU RECORTADORA DE HILO

*Vea la figura 1.*

El uso seguro que este producto requiere la comprensión de la información impresa en la producto y en el manual del operador así como ciertos conocimientos sobre el proyecto a realizar. Antes de usar este producto, familiarícese con todas las características de funcionamiento y normas de seguridad.

## DIÁMETRO DE CORTE AJUSTABLE

El diámetro de corte se puede ajustar de 279,4 mm (11 pulg.) a 304,8 mm (13 pulg.) haciendo girar la cuchilla de corte del hilo.

## MANGO DELANTERO AJUSTABLE

El conjunto del mango delantero se puede ajustar para facilidad de uso y para ayudar a evitar la pérdida de control.

## RUEDA DE RECORTAR BORDES

La rueda de recortadora de bordes tiene en cuenta cortar más fijo desempeño al bordear.

## DEFLECTOR DE HIERBA

La recortadora incorpora un deflector de hierba que ayuda a proteger al operador de los desechos lanzados por la producto.

## SOBREMOLDEADO MANGO

El sobremoldeado mango proporciona mayor comodidad para el operador.

## BOTÓN DEL SEGURO

El botón del seguro evita los arranques accidentales.

## CÓMO ROTAR EL CABEZAL DE LA RECORTADORA

El cómo rotar el cabezal de la recortadora puede bloquearse en dos distintas posiciones para facilitar su uso durante el cortar bordes y recortar.

## INTERRUPTOR DE GATILLO DE VELOCIDAD VARIABLE

Esta herramienta dispone de un interruptor de velocidad variable, el cual produce mayor velocidad cuanto mayor presión se aplica en el mismo. La velocidad se controla mediante la presión aplicada en el gatillo del interruptor.

# ARMADO

## DESEMPAQUETADO

Este producto requiere armarse.

- Extraiga cuidadosamente de la caja la producto y los accesorios. Asegúrese de que estén presentes todos los artículos enumerados en la lista de empaquetado.



### ADVERTENCIA:

No utilice este producto si alguna pieza incluida en la Lista de empaquetado ya está ensamblada al producto cuando lo desempaqueta. El fabricante no ensambla las piezas de esta lista en el producto. Éstas deben ser instaladas por el usuario. El uso de un producto que puede haber sido ensamblado de forma inadecuada podría causar lesiones personales graves.

- Inspeccione cuidadosamente la producto para asegurarse de que no haya sufrido ninguna rotura o daño durante el transporte.

- No deseche el material de empaquetado hasta que haya inspeccionado cuidadosamente la producto y la haya utilizado satisfactoriamente.
- Si hay piezas dañadas o faltantes, le suplicamos llamar al 1-800-860-4050, donde le brindaremos asistencia.

## LISTA DE EMPAQUETADO

Cabezal motor

Aditamento de recortadora de hilo/para recortar bordes

Deflector de hierba

Manual del operador



### ADVERTENCIA:

Si hay piezas dañadas o faltantes, no utilice esta producto sin haber reemplazado las piezas dañadas o faltantes. La inobservancia de esta advertencia puede causar lesiones graves.



# ARMADO

## **ADVERTENCIA:**

No intente modificar este producto ni hacer accesorios no recomendados para la misma. Cualquier alteración o modificación constituye maltrato el cual puede causar una condición peligrosa, y como consecuencia posibles lesiones corporales serias.

## **ADVERTENCIA:**

Para evitar un arranque accidental que podría causar lesiones corporales serias, siempre desmonte de la producto el paquete de baterías al montarle piezas a aquélla.

## HERRAMIENTAS NECESARIAS

Vea la figura 2.

Para armar la unidad se necesitan la siguiente herramienta (no incluido o dibujado para escalar):

- Destornillador phillips

## MONTAJE DEL CABEZAL MOTOR EN EL ADITAMENTO

Vea la figura 3.

## **ADVERTENCIA:**

Nunca una ni ajuste ningún aditamento, desmontar o mientras esté funcionando el cabezal motor o con la paquete de baterías instaladas. Si no puede detener el motor o retirar el paquete de baterías puede provocar lesiones personales graves.

El aditamento se conecta al cabezal motor mediante un dispositivo acoplador.

- Si está instalado, retire el paquete de baterías.
- Alinee las flechas del accesorio de la recortadora de hilo/bordeadora y el cabezal motor. Puis inserte el conector del accesorio para recortadora de hilo/bordeadora en la apertura del cabezal motor. Asegúrese de que el enchufe es sentado completamente.

- Deslizar el acoplador en la cabezal motor hasta la base acoplador en el aditamento y gírelo hacia la derecha. Ajuste firmemente

**NOTA:** Las ensambló correctamentectamente, el aditamento de recortadora de hilo/para recortar bordes y cabezal motor no deberán separarse. Repita los pasos anteriores si las barras se separan.

## **ADVERTENCIA:**

La inobservancia para asegurar la aditamento de recortadora de hilo/para recortar bordes y cabezal motor como instruido encima de podría tener como puede causar lesiones corporales serias.

## DESMONTAJE UN ADITAMENTO DEL CABEZAL MOTOR

- Retire el paquete de baterías.
- Gire el acoplador en sentido contrario a las agujas del reloj para destrabarlo. Luego, retire el eje de la recortadora del cabezal motor.

## MONTAJE DEL DEFLECTOR DE PASTO

Vea las figuras 4 y 5.

## **ADVERTENCIA:**

La cuchilla de cortar el hilo del deflector de pasto está afilada. Evite tocar la cuchilla. Si no evita tal contacto puede originarse lesiones corporales serias.

- Retire el paquete de baterías.
- Retire el bolsa de plástico del deflector de hierba.
- Inserte el deflector de hierba en el cabezal cabezal del hilo.
- Haga coincidir los orificios del deflector de hierba con el orificios central del alojamiento del motor.
- Instale el tornillo incluido y apriételo girándolo en sentido horario con un destornillador phillips.

# FUNCIONAMIENTO

## **ADVERTENCIA:**

No permita que su familiarización con las herramientas lo vuelva descuidado. Tenga presente que un descuido de un instante es suficiente para causar una lesión grave.

## **ADVERTENCIA:**

Siempre póngase protección ocular con protección lateral con la marca de cumplimiento de la norma ANSI Z87.1. La inobservancia de esta advertencia puede causar el lanzamiento de objetos a los ojos, y por consecuencia posibles lesiones serias.

## **ADVERTENCIA:**

Nunca use hojas, dispositivos móviles, alambre ni cuerdas en este producto. No utilice ningún aditamento o accesorio no recomendado por el fabricante de este producto. El empleo de aditamentos o accesorios no recomendados puede causar lesiones serias.

Este producto acepta los paquetes de baterías de iones de litio de 40 V.

Para ver las instrucciones de carga completas, consulte los manuales del operador del paquete de baterías Ryobi y los modelos de cargador.

## **ADVERTENCIA:**

Retire siempre el paquete de baterías de la herramienta antes de instalar las piezas, realizar ajustes, limpiarla o cuando no la utilice. Retirar el paquete de baterías evitará que la unidad se accione accidentalmente y provoque lesiones graves.

## **INSTALACIÓN DEL PAQUETE DE BATERÍAS**

*Vea la figura 6.*

- Coloque el paquete de baterías en la recortadora de hilo. Alinee la costilla realzada exterior del paquete de baterías con la ranura interior del receptáculo para pilas de la podadora de setos.

## **ADVERTENCIA:**

Asegúrese de que el pestillo en la parte inferior del paquete de baterías entre adecuadamente en su lugar y que el paquete de baterías esté bien colocado y asegurado en el puerto de batería de la podadora de setos antes de que encenderla. No asentar el paquete de baterías correctamente podría provocar que el paquete de baterías se caiga y cause lesiones personales graves.

## **EXTRACCIÓN DEL PAQUETE DE BATERÍAS**

*Vea la figura 6.*

- Presione y mantenga presionado el botón de la traba de las baterías de la parte inferior del paquete de baterías.
- Retire de la recortadora de hilo el paquete de baterías.

## **ADVERTENCIA:**

Para evitar lesiones corporales serias, siempre desmonte de la herramienta el paquete de baterías y mantenga manos vacías del botón del seguro al llevar herramienta.

## **ENCENDIDO Y APAGADO DE LA RECORTADORA**

*Vea la figura 7.*

**Para encendido:**

- Oprima y no suelte el botón del seguro.
- Oprima el gatillo del interruptor.

**Para apagado:**

- Suelte el gatillo cuando desee apagar la recortadora de hilo.
- Al soltar el gatillo, el botón del seguro regresa automáticamente a la posición de aseguramiento.

## **MANGO DELANTERO AJUSTABLE**

*Vea la figura 8.*

El ángulo del mango delantero puede ajustarse a 180 °.

- Retire el paquete de baterías.
- Coloque la recortadora en una superficie plana y gire la perilla hacia la izquierda para aflojar el mango.
- Para recortar, ajuste el mango hacia arriba.
- Para cortar bordes, ajuste el mango hacia abajo.
- Gire la perilla hacia la derecha hasta que el mango esté firmemente apretado antes de volver a instalar el paquete de baterías.

## **MANEJO DE LA RECORTADORA DE HILO**

*Vea la figura 9.*

**Siga las siguientes recomendaciones a manejar la recortadora de hilo:**

- Sujete la recortadora con la mano derecha en el mango trasero y la izquierda en el delantero.
- Sujete firmemente la unidad con ambas manos durante la operación.
- Se recomienda sujetar la recortadora en una posición cómoda, con el mango trasero a la altura de la cadera aproximadamente.
- Corte la hierba alta desde arriba hacia abajo. Esto evitará que la hierba se enrolle alrededor del alojamiento del eje y del cabezal del brazo, lo que puede causar daños por calentamiento excesivo.

# FUNCIONAMIENTO

## Si la hierba se enrolla en el cabezal del hilo:

- Retire el paquete de baterías.
- Quite la hierba.



### ADVERTENCIA:

Siempre sujete la recortadora de hilo lejos de su cuerpo, manteniendo un espacio entre ambos. El contacto con el cabezal de corte de la recortadora de hilo durante su operación puede causar lesiones personales graves.

## RECOMENDACIONES DE CORTE

Vea las figuras 10 y 11.

- Mantenga la recortadora inclinada hacia el área de corte; ésta es el área óptima.
- La recortadora de hilo efectúa el corte al pasar la unidad de derecha a izquierda. De esta manera se evita el lanzamiento de desechos hacia el operador. Evite recortar en el área peligrosa mostrada en la figura 10.
- Haga que el recorte sea efectuado por la punta del hilo; no fuerce el cabezal del hilo en la hierba sin cortar.
- Las cercas de alambre y de estacas causan desgaste adicional del hilo, incluso su ruptura. Los muros de piedra y de ladrillo, así como las banquetas (aceras) y la madera pueden desgastar rápidamente el hilo.
- Evite el contacto con árboles y arbustos. La corteza de los árboles, las molduras de madera, los revestimientos de las paredes y los postes de las cercas pueden resultar dañados fácilmente por el hilo.

## AVANCE DEL HILO

**NOTA:** La recortadora es equipada con una cabeza de auto-comida. Golpear la cabeza para tratar de avanzar la línea dañará la garantía de trimmer y vacío.

- Haga funcionar la recortadora, suelte el gatillo del interruptor.
- Espere dos segundos y oprima el gatillo del interruptor.  
**NOTA:** El hilo se extiende aproximadamente 6,35 mm (1/4 pulg.) cada vez que se apaga y enciende el gatillo del interruptor hasta que el hilo alcanza la longitud de la cuchilla de corte del deflector de pasto.
- Reanude el recorte.

## AVANCE MANUAL DEL HILO

Vea la figura 12.

- Retire el paquete de baterías.
- Oprima el botón negro ubicado en el cabezal del hilo mientras tira del hilo para avanzar manualmente el hilo.

## CUCHILLA DE CORTE DEL HILO

Vea la figura 13.

Esta recortadora está equipada con una cuchilla de corte instalada en el protección. Para obtener mejores resultados en el recorte, avance el hilo hasta que la cuchilla lo corte a la longitud apropiada. Avance el hilo siempre que escuche que el motor está funcionando más rápido de lo normal, o cuando disminuya la eficiencia del recorte. Esto mantendrá un desempeño óptimo y mantendrá el hilo a la suficiente longitud para que avance correctamente.

Este recortadora de hilo es puesto actualmente en el 279,4 mm (11 pulg.) ancho de corte. Para ajustar a un ancho de corte de 304,8 mm (13 pulg.):

- Retire el paquete de baterías.
- Afloje el tornillo de la hoja entonces gira la hoja 180°.
- Apriete el tornillo de la hoja.

## RECORTE DE BORDES

Vea las figuras 14 y 15.

- Retire el paquete de baterías.
- Escalón en el pedal de pie.
- Gire la cabeza de la recortadora a la izquierda la herramienta en la posición de recortadora de bordes.



### ADVERTENCIA:

Siempre sujete la recortadora de hilo lejos del cuerpo, manteniendo un espacio entre el cuerpo y la herramienta. Cualquier contacto del cabezal de corte de la recortadora de hilo puede producir lesiones serias.



### ADVERTENCIA:

Nunca se pare directamente en la línea de corte. Siempre están a la izquierda del deflector de hierba para evitar los desechos lanzados, puede entrañar des blessures graves.

# MANTENIMIENTO



## ADVERTENCIA:

Al dar servicio a la unidad, sólo utilice piezas de repuesto idénticas. El empleo de piezas diferentes podría causar un peligro o dañar el producto.



## ADVERTENCIA:

Siempre póngase protección ocular con protección lateral con la marca de cumplimiento de la norma ANSI Z87.1. La inobservancia de esta advertencia puede causar el lanzamiento de objetos a los ojos, y por consecuencia posibles lesiones serias.



## ADVERTENCIA:

Para evitar lesiones serias, siempre retire el paquete de baterías de la herramienta cuando la limpie o durante cualquier mantenimiento.

## MANTENIMIENTO GENERAL

Antes de cada uso, inspeccione todo el producto para detectar algún daño, partes faltantes o sueltas, como tornillos, tuercas, pernos, tapas, etc. Ajuste firmemente todos los sujetadores y las tapas y no active este producto hasta que todas las partes faltantes o dañadas sean reemplazadas. Llame al 1-800-860-4050 o comuníquese con un centro de servicio autorizado para recibir asistencia.

Evite el empleo de solventes al limpiar piezas de plástico. La mayoría de los plásticos son susceptibles a diferentes tipos de solventes comerciales y pueden resultar dañados. Utilice paños limpios para eliminar la suciedad, el polvo, el aceite, la grasa, etc.



## ADVERTENCIA:

No permita en ningún momento que fluidos para frenos, gasolina, productos a base de petróleo, aceites penetrantes, etc., lleguen a tocar las piezas de plástico. Las sustancias químicas pueden dañar, debilitar o destruir el plástico, lo cual a su vez puede producir lesiones corporales serias.

Solamente las piezas mostradas en la lista de piezas pueden ser reparadas o cambiadas por el consumidor. Todas las piezas restantes deben ser reemplazadas en un centro de servicio autorizado.

## REEMPLAZO DEL CARRETE

Veja la figura 16.

Use únicamente hilo monofilar redondo de 1,65 mm (0,065 pulg.) de diámetro. Use el hilo de repuesto del fabricante original para obtener el mejor desempeño.

- Retire el paquete de baterías.
- Presione hacia dentro las pestañas laterales del retén del carrete.
- Empuje el retén del carrete hacia arriba para extraerlo.
- Retire el carrete vacío.
- Para instalar el nuevo carrete, asegúrese de que se capturen la hilo en la ranura en el nuevo carrete. Asegúrese de que la extremo de hilo se extiende aproximadamente 152 mm (6 pulg.) de ranura.
- Instale el nuevo carrete de manera que el hilo y las ranuras queden alineados con el ojillo más cercano del cabezal del hilo. Pase el hilo por los ojales.
- Tire de los hilo desde el cabezal del hilo para que el hilo se suelte de las ranuras del carrete.
- Vuelva a instalar el retén del carrete presionando las pestañas en sus ranuras y empujándolas hacia abajo hasta que el retén quede sujeto en su lugar.

## REEMPLAZO DEL HILO

Veja las figuras 16 y 17.

- Retire el paquete de baterías.
  - Quite el carrete del cabezal del hilo.
- NOTA:** Retire todo el hilo sobrante en el carrete.
- Corte una pieza de hilo de aproximadamente 2,7 m (9 pies) de largo. Use únicamente hilo monofilar de 1,65 mm (0,065 pulg.) de diámetro.
  - Introduzca el hilo en el orificio de sujeción de la parte superior del carrete. Enrolle hacia la derecha el hilo alrededor de la parte superior del carrete, según lo indican las flechas en el carrete. Coloque el hilo en la ranura de la pestaña superior del carrete, y deje que sobresalga aproximadamente 152 mm (6 pulg.) de la ranura. No lo llene en exceso. Después de enrollar el hilo, debe haber una separación mínima de 6 mm (1/4 pulg.) entre el hilo enrollado y el borde exterior del carrete.
  - Vuelva a colocar el retén de plástico, el carrete y el retén de éste. Consulte la sección **Reemplazo del carrete** previamente expuesta en este manual.

# MANTENIMIENTO

## ALMACENAMIENTO DE LA RECORTADORA

- Retire el paquete de baterías de la recortadora de hilo antes de almacenarla.
- Limpie todos los desechos presentes en la recortadora.
- Almacene la unidad en un espacio inaccesible a los niños.

- Mantenga la unidad alejada de agentes corrosivos como los productos químicos para el jardín y las sales para derretir el hielo.

Núm. pieza del carrete de repuesto ..... AC14RSLA

Núm. pieza de la tapa del carrete de repuesto ... AC14HCA

# CORRECCIÓN DE PROBLEMAS

PROBLEMA	CAUSA POSIBLE	SOLUCIÓN
El hilo no avanza cuando se usa el cabezal con alimentación automática	El hilo se pegó a sí mismo.	Lubrique con rociador de silicón.
	No hay suficiente hilo en el carrete	Instale más hilo. Vea la sección <b>Reemplazo del hilo</b> arriba en este manual.
	El hilo se desgastó hasta quedar muy corto.	Tire de hilo secuencias mientras que presiona el botón.
	El hilo está enredado en el carrete.	Retire el hilo del carrete y vuelva a enrollarlo. Vea la sección <b>Reemplazo del hilo</b> arriba en este manual.
El césped se enrolla alrededor del alojamiento del eje y del cabezal del hilo	Se está cortando la hierba alta a nivel del suelo.	Corte la hierba alta desde la parte superior hacia abajo.
El motor falla de arranque cuando disparador de gatillo del interruptor	La paquete de baterías no está fija.	Para fijar el paquete de baterías, asegúrese de que la traba de la parte inferior del paquete de baterías quede insertada en su lugar.
	La paquete de baterías no está cargada.	Cargue el paquete de baterías según las instrucciones incluidas con su modelo.
	El eje no se conecta por completo.	Asegúrese de que el eje de la recortadora esté firmemente asentado en el acoplador del cabezal motor.



## LLÁMENOS PRIMERO

Si tiene preguntas sobre el funcionamiento o el mantenimiento este producto, llame al teléfono de atención al consumidor de Ryobi®!

La recortadora ha sido probada enteramente antes de embarcarse para asegurar la satisfacción del consumidor.

# GARANTÍA

## DECLARACIÓN DE LA GARANTÍA LIMITADA

Techtronic Industries North America, Inc. garantiza al comprador original al menudeo que este producto de la marca RYOBI® carece de defectos en los materiales y en la mano de obra, y acuerda reparar o reemplazar, a la sola discreción de Techtronic Industries North America, Inc., cualquier producto defectuoso, sin cargo alguno al comprador, dentro de los siguientes períodos de tiempo a partir de la fecha de compra.

- Tres años si los productos se emplean para uso personal, familiar o casero;
- 90 días si el producto se emplea para cualquier otro propósito, como el uso comercial o el de alquiler.

Esta garantía se otorga solamente al comprador original al menudeo, y comienza en la fecha de la compra original al menudeo.

Cualquier parte de este producto Techtronic Industries North America, Inc. que, a juicio razonable de la compañía, tenga defectos en los materiales o en la mano de obra, será reparado o reemplazado por un centro de servicio autorizado de herramientas para uso en el exterior de la marca RYOBI®, sin cargo alguno al comprador por concepto de piezas y mano de obra (Centro de Servicio Autorizado Ryobi).

El producto, incluida toda pieza defectuosa, debe enviarse a un centro de servicio autorizado Ryobi dentro del período de la garantía. El gasto de enviar el producto al centro de servicio para cualquier trabajo cubierto por la garantía, así como el gasto de devolverlo al propietario después de la reparación, correrán por cuenta del propietario. La responsabilidad de Techtronic Industries North America, Inc. con respecto a todo reclamo se limita a las reparaciones o reemplazo del producto, y ningún reclamo de incumplimiento de la garantía será causante de la cancelación o rescisión del contrato de venta de ninguna herramienta de uso en el exterior de la marca RYOBI®. En el establecimiento se requerirá el recibo de compra para respaldar cualquier reclamo al amparo de la garantía. Todo trabajo cubierto en la garantía debe ser realizado por un concesionario de servicio autorizado.

Esta garantía se limita a noventa (90) días a partir de la fecha original de la compra de cualquier herramienta de uso en el exterior de la marca RYOBI® empleada para propósitos comerciales o de alquiler, o cualquier otro propósito generador de ingresos.

Esta garantía no cubre ningún producto que haya sido sujeto a un uso indebido, maltrato, negligencia o accidente, o que haya sido utilizado de cualquier forma contraria a las instrucciones de manejo especificadas en el manual del operador del producto. Esta garantía no aplica a ningún daño en el producto que resulte de un mantenimiento indebido ni a ningún producto que haya sido alterado o modificado. La garantía no cubre ninguna reparación necesaria por el uso normal ni por el uso de piezas o accesorios que sean incompatibles con la herramienta para uso exterior de la marca RYOBI®, o afecten de forma desfavorable su funcionamiento, desempeño o durabilidad.

Además, esta garantía no cubre:

A. Afinación – Bujías, carburador, ajustes del carburador, encendido, filtros

B. Artículos sujetos a desgaste – Perillas de tope, carretes exteriores, hilos de corte, carretes interiores, poleas del arrancador, cuerdas del arrancador, correas de transmisión, aspas, arandelas de fieltro y pasadores de enganche, hojas de triturar, ventiladores de sopladoras, tubos de sopladoras y de aspiradoras, sacos y correas de aspiradoras, barras guía y cadenas de sierras

Techtronic Industries North America, Inc. se reserva el derecho a cambiar o mejorar el diseño de cualquier herramienta para uso en el exterior de la marca RYOBI® sin asumir ninguna obligación de modificar ningún producto fabricado previamente.

TODAS LAS GARANTÍAS IMPLÍCITAS ESTÁN LIMITADAS EN DURACIÓN SEGÚN EL PERÍODO DE GARANTÍA DECLARADA. POR CONSIGUIENTE, CUALQUIER GARANTÍA IMPLÍCITA, INCLUSO LAS DE COMERCIABILIDAD, IDONEIDAD PARA UN PROPÓSITO EN PARTICULAR, O DE CUALQUIER TIPO, PIERDEN TOTALMENTE SU VALIDEZ DESPUÉS DEL VENCIMIENTO DEL PERÍODO DE GARANTÍA CORRESPONDIENTE DE TRES AÑOS O NOVENTA DÍAS. DE CONFORMIDAD CON ESTA GARANTÍA, LA OBLIGACIÓN DE TECHTRONIC INDUSTRIES NORTH AMERICA, INC. SE LIMITA ESTRICTA Y EXCLUSIVAMENTE A LA REPARACIÓN O REPLAZO DE LAS PIEZAS DEFECTUOSAS, Y TECHTRONIC INDUSTRIES NORTH AMERICA, INC. NO ASUME NINGUNA OTRA OBLIGACIÓN, NI AUTORIZA A NADIE ASUMIRLA A NOMBRE DE DICHA COMPAÑÍA. ALGUNOS ESTADOS NO PERMITEN LIMITACIONES EN CUANTO A LA DURACIÓN DE UNA GARANTÍA IMPLÍCITA, POR LO CUAL ES POSIBLE QUE LA LIMITACIÓN ANTERIOR NO SE APLIQUE EN EL CASO DE USTED. TECHTRONIC INDUSTRIES NORTH AMERICA, INC. NO ASUME NINGUNA RESPONSABILIDAD POR DAÑOS DIRECTOS, INDIRECTOS O DE NINGÚN OTRO TIPO, COMO EL GASTO DE ENVIAR EL PRODUCTO A UN CENTRO DE SERVICIO AUTORIZADO RYOBI Y EL GASTO DE ENVIARLO DE ALLÍ AL PROPIETARIO, EL TIEMPO DE VIAJE DEL MECÁNICO, CARGOS TELEFÓNICOS O TELEGRÁFICOS, ALQUILER DE UN PRODUCTO SUSTITUTO DURANTE EL TIEMPO DE REALIZACIÓN DEL SERVICIO DE LA GARANTÍA, VIAJES, PÉRDIDA O DAÑOS A OBJETOS DE PROPIEDAD PERSONAL, PÉRDIDA DE INGRESOS, PÉRDIDA DEL USO DEL PRODUCTO, PÉRDIDA DE TIEMPO O INCONVENIENTES. EN ALGUNOS ESTADOS NO SE PERMITE LA EXCLUSIÓN O LIMITACIÓN DE DAÑOS DIRECTOS O INDIRECTOS, POR LO CUAL ES POSIBLE QUE LA LIMITACIÓN O EXCLUSIÓN DESCRITA ARRIBA NO SE APLIQUE EN SU CASO.

Esta garantía le confiere derechos legales específicos, y es posible que usted goce de otros derechos, los cuales pueden variar de estado a estado.

Esta garantía se aplica a todas las herramientas para uso en el exterior de la marca RYOBI® fabricadas por Techtronic Industries North America, Inc. y vendidos en Estados Unidos y Canadá.

Para encontrar el centro de servicio autorizado Ryobi más cercano a usted, llame al 1-800-860-4050.





# OPERATOR'S MANUAL

## MANUEL D'UTILISATION / MANUAL DEL OPERADOR

### RY40001 POWER HEAD WITH RY40021 STRING TRIMMER/EDGER ATTACHMENT

### RY40001 BLOC MOTEUR AVEC RY40021 ACCESSOIRE DE TAILLE-BORDURES À LIGNE/COUPE-BORDURES

### RY40001 CABEZAL MOTOR CON RY40021 ACCESORIO DE RECORTADORAS DE HILO/RECORTADORA DE BORDES

#### CALIFORNIA PROPOSITION 65

##### **⚠ WARNING:**

This product and substances that may become airborne from its use may contain chemicals, including lead, known to the State of California to cause cancer, birth defects, or other reproductive harm.  
**Wash hands after handling.**

#### PROPOSITION 65 DE L'ÉTAT DE CALIFORNIE

##### **⚠ AVERTISSEMENT :**

Ce produit ainsi que les substances rejetées dans l'air à la suite de son utilisation peuvent contenir des produits chimiques, notamment du plomb qui, selon l'État de la Californie, peuvent causer le cancer, des anomalies congénitales et d'autres dommages au système reproducteur. **Bien se laver les mains après toute manipulation.**

#### CALIFORNIA - PROPUESTA DE LEY NÚM. 65

##### **⚠ ADVERTENCIA:**

Este producto y sustancias que puedan llegar a ser aerotransportadas por su uso pueden contener sustancias químicas (por ejemplo, plomo) consideradas por el estado de California como causantes de cáncer, defectos de nacimiento u otras alteraciones reproductivas.  
**Lávese las manos después de utilizar el aparato.**

RYOBI is a registered trademark of Ryobi Limited and is used pursuant to a license granted by Ryobi Limited.

RYOBI est une marque déposée de RYOBI Limited et est utilisée en vertu d'une licence accordée par Ryobi Limited.

RYOBI es una marca registrada de Ryobi Limited y se utiliza conforme a una licencia otorgada por Ryobi Limited.

#### • PARTS AND SERVICE

Prior to requesting service or purchasing replacement parts, please obtain your model and serial number from the product data plate.

• **MODEL NO.** \_\_\_\_\_ **SERIAL NO.** \_\_\_\_\_

#### • HOW TO OBTAIN REPLACEMENT PARTS:

Replacement parts can be purchased online at [www.ryobitools.com](http://www.ryobitools.com) or by calling 1-800-860-4050. Replacement parts can also be obtained at one of our Authorized Service Centers.

#### • HOW TO LOCATE AN AUTHORIZED SERVICE CENTER:

Authorized Service Centers can be located online at [www.ryobitools.com](http://www.ryobitools.com) or by calling 1-800-860-4050.

#### • HOW TO OBTAIN CUSTOMER OR TECHNICAL SUPPORT:

To obtain Customer or Technical Support please contact us at 1-800-860-4050.

• • • • •

#### • PIÈCES ET SERVICE

Avant de faire la demande de service ou l'achat de pièces de remplacement, veuillez obtenir le numéro de série du modèle à partir de la plaque de données du produit.

• **NUMÉRO DE MODÈLE** \_\_\_\_\_ **NUMÉRO DE SÉRIE** \_\_\_\_\_

#### • COMMENT OBTENIR LES PIÈCES DE REMPLACEMENT :

Les pièces de remplacement peuvent être achetées en ligne sur le site [www.ryobitools.com](http://www.ryobitools.com) ou par téléphone au 1-800-860-4050. Les pièces de remplacement peuvent être obtenues à un de nos centres de service autorisés.

#### • COMMENT TROUVER UN CENTRE DE SERVICE AUTORISÉ :

Les centres de service autorisés peuvent être localisés en ligne au [www.ryobitools.com](http://www.ryobitools.com) ou en téléphonant au 1-800-860-4050.

#### • COMMENT OBTENIR DE L'AIDE EN CONTACTANT LE SERVICE À LA CLIENTÈLE :

Pour contacter le service à la clientèle pour une question technique ou pour tout autre renseignement, veuillez nous téléphoner au 1-800-860-4050.

• • • • •

#### • PIEZAS DE REPUESTO Y SERVICIO

Antes de solicitar servicio técnico o comprar piezas de repuesto, obtenga su modelo y número de serie de la placa de datos del producto.

• **NÚMERO DE MODELO** \_\_\_\_\_ **NÚMERO DE SERIE** \_\_\_\_\_

#### • CÓMO OBTENER PIEZAS DE REPUESTO:

Las piezas de repuesto se pueden comprar en nuestro sitio en la red mundial, en la dirección [www.ryobitools.com](http://www.ryobitools.com) o llamando al 1-800-860-4050. Las piezas de repuesto también se pueden obtener en uno de nuestros Centros de Servicio Autorizados.

#### • CÓMO LOCALIZAR UN CENTRO DE SERVICIO AUTORIZADO:

Puede encontrar los Centros de Servicio Autorizados visitando nuestro sitio en la red mundial, en la dirección [www.ryobitools.com](http://www.ryobitools.com) or by calling 1-800-860-4050.

#### • CÓMO OBTENER SERVICIO O ASISTENCIA TÉCNICA AL CONSUMIDOR:

Para obtener Servicio o Asistencia Técnica al Consumidor, sírvase comunicarse con nosotros llamando al 1-800-860-4050.

## TECHTRONIC INDUSTRIES NORTH AMERICA, INC.

1428 Pearman Dairy Road, Anderson, SC 29625 USA

1-800-860-4050 • [www.ryobitools.com](http://www.ryobitools.com)

A subsidiary of Techtronic Industries Co., Ltd. • OTC: TTNDY