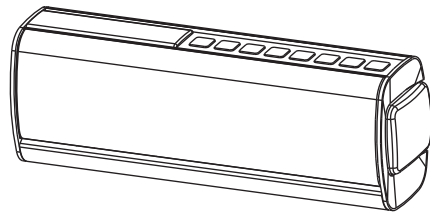


# OPERATING INSTRUCTIONS



## High Power Mini Speaker System

MODEL : SP-3000-BTHF



The lightning flash and arrowhead within the triangle is a warning sign alerting you of "dangerous voltage" inside the product.

### CAUTION

**RISK OF ELECTRIC SHOCK  
DO NOT OPEN**

**WARNING:** To reduce the risk of electric shock, do not remove cover (or back). No user-serviceable parts inside. Refer servicing to qualified service personnel.



The exclamation point within the triangle is a warning sign alerting you of important instructions accompanying the product.

**WARNING:** TO REDUCE THE RISK OF FIRE OR ELECTRIC SHOCK, DO NOT EXPOSE THIS APPLIANCE TO DRIPPING OR SPLASHING LIQUIDS.

**NOTE:** CAUTION SYMBOLS ARE PRINTED ON REAR OF UNIT. PLEASE REFER TO INSTRUCTION MANUAL.

**PLEASE NOTE:** YOU WILL FIND THE RATING LABEL FOR THIS PRODUCT LOCATED ON THE REAR OF THE UNIT.



### CAUTION

**DO NOT EXPOSE TO DRIPPING OR SPLASHING LIQUIDS!**

**THE APPARATUS SHOULD NOT BE EXPOSED TO DRIPPING OR SPLASHING AND NO OBJECTS FILLED WITH LIQUIDS SHOULD BE PLACED ON THE APPARATUS. THE MARKING AND RATING LABEL IS LOCATED AT REAR ENCLOSURE OF THE APPARATUS.**

**UNDER THE INFLUENCE OF ELECTROSTATIC PHENOMENON, THE PRODUCT MAY MALFUNCTION AND USER TO POWER RESET. BATTERY SHOULD NOT BE EXPOSED TO EXCESSIVE HEAT SUCH AS SUNSHINE, FIRE OR THE LIKE.**

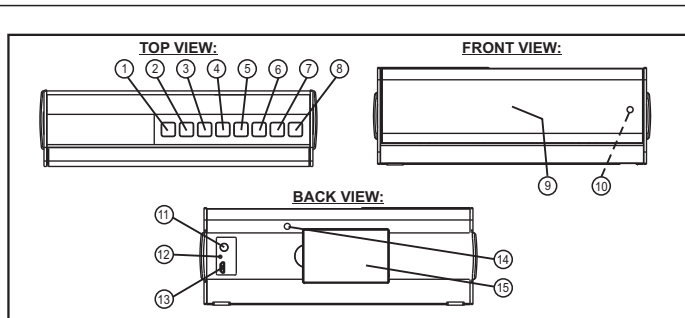
**CAUTION: DANGER OF EXPLOSION IF BATTERY IS INCORRECTLY REPLACED. REPLACE ONLY WITH THE SAME OR EQUIVALENT TYPE.**

The device complies with Part 15 of the FCC Rules. Operation is subject to the following two conditions: (1) this device may not cause harmful interference, and (2) this device must accept any interference received, including interference that may cause undesired operation.

Changes or modifications not expressly approved by the party responsible for compliance could void the user's authority to operate the product.

**NOTE:** This product has been tested and found to comply with the limits for a Class B digital device, pursuant to Part 15 of the FCC Rules. These limits are designed to provide reasonable protection against harmful interference in a residential installation.

This product generates, uses and can radiate radio frequency energy and, if not installed and used in accordance with the instructions, may cause harmful interference to radio communications. However, there is no guarantee that interference will not occur in a particular installation. If the product does cause harmful interference to radio or television reception, which can be determined by turning the equipment off and on, the user is encouraged to try to correct the interference by one or more of the following measures: -Reorient or relocate the receiving antenna. -Increase the separation between the product and receiver. -Connect the product into an outlet on a circuit different from that to which the receiver is connected. -Consult the dealer or an experienced radio/TV technician for help.



### LOCATION OF CONTROLS

- |   |                                 |
|---|---------------------------------|
| 1. VOLUME DOWN KEY                      | 8. ON/ STANDBY/ CALL REJECT KEY |
| 2. VOLUME UP KEY                        | 9. SPEAKER                      |
| 3. BASS KEY                             | 10. LED INDICATOR               |
| 4. BACK KEY                             | 11. AUX IN SOCKET               |
| 5. NEXT KEY                             | 12. CHARGING LED INDICATOR      |
| 6. SOURCE KEY                           | 13. MICRO USB CHARGING SOCKET   |
| 7. PAIR/ PLAY/ PAUSE/<br>HANDS FREE KEY | 14. MICROPHONE (FOR HANDS FREE) |
|   | 15. BATTERY COMPARTMENT         |

### SPEAKER CHARGING

FOR BEST RESULTS, FULLY CHARGE YOUR SPEAKER SYSTEM BEFORE USE.



THE CHARGING LED INDICATOR WILL TURN RED TO INDICATE IT IS IN CHARGING MODE. WHEN THE UNIT IS FULLY CHARGED, THE CHARGING LED INDICATOR WILL AUTOMATICALLY SWITCH OFF.

### SPECIFICATIONS

POWER SUPPLY : RECHARGEABLE LITHIUM BATTERY 3.7V --- 1000mAh x 1PC  
RECHARGE POWER: USB DC 5V, 700mA

E-3

### BLUETOOTH® WIRELESS PLAYBACK

THE UNIT CAN WIRELESSLY STREAM AUDIO FROM ANY BLUETOOTH® DEVICE WITHIN 30 FEET. SIMPLY PAIR THE DEVICE AND ENJOY WIRELESS PLAYBACK AND CONTROL FROM YOUR BLUETOOTH® DEVICE.

#### PREPARE THE UNIT:

- PRESS AND HOLD THE ON/STANDBY KEY ABOUT 2 SECONDS TO TURN THE UNIT ON.
- THE LED INDICATOR WILL FLASH TO INDICATE THE UNIT IS ON AND WAITING FOR PAIRING.
- THE LED INDICATOR WILL REMAIN LIT ON WHEN PAIRED.

**\*NOTE ONLY ONE DEVICE CAN BE PAIRED AT ANY GIVEN TIME.**

#### PREPARE YOUR PHONE OR OTHER BLUETOOTH® DEVICE:

- TURN ON THE BLUETOOTH® FUNCTION, THIS IS USUALLY FOUND UNDER GENERAL SETTINGS OR OPTIONS.
- PLEASE REFER TO YOUR DEVICE'S MANUAL FOR FURTHER BLUETOOTH® DETAILS.

#### MAKE THE CONNECTION:

- GO TO YOUR DEVICE'S BLUETOOTH® SETTINGS
- ADD OR SEARCH FOR DEVICES
- IF ASKED FOR A PASS CODE, ENTER "0000"

**\*THIS IS A ONE-TIME EVENT PER DEVICE. TO PAIR YOUR UNIT TO ANOTHER DEVICE, REPEAT THE ABOVE PREPARATION AND CONNECTION STEPS.**

**DISABLING THE CONNECTION TO UNPAIR A BLUETOOTH® DEVICE THAT IS ALREADY PAIRED, PRESS AND HOLD THE PAIR KEY FOR A FEW SECONDS.**

#### VOLUME CONTROL:

INCREASE AND DECREASE VOLUME USING THE VOLUME UP AND VOLUME DOWN KEYS ON THE UNIT OR USING THE VOLUME CONTROLS ON YOUR BLUETOOTH® ENABLED DEVICE.

**\*NOTE THAT IF THERE IS NO PLAYBACK, ENSURE THAT NEITHER THE UNIT NOR YOUR BLUETOOTH® DEVICE ARE SET TO ZERO VOLUME AND THE CORRECT DEVICE FOR PLAYBACK IS PAIRED.**

### SPEAKER OPERATION

- PRESS THE PLAY/PAUSE KEY TO START PLAYBACK.
- AT ANYTIME DURING PLAYBACK, PRESS THE PLAY/PAUSE KEY TO PAUSE OPERATION. PRESS AGAIN TO RESUME OPERATION AT THE SAME TRACK & POSITION.
- AT ANYTIME DURING PLAYBACK, "PRESS AND RELEASE" THE NEXT OR BACK KEY : OR TO SKIP BACKWARDS OR FORWARDS BY ONE TRACK, AS DESIRED.

### USING THE AUDIO LINE IN CONNECTION (AUX-INPUT)

- YOU CAN CONNECT THE AUDIO OUTPUT OF AN EXTERNAL DEVICE SUCH AS A MP3 PLAYER TO THIS UNIT, TO LISTEN TO THE SOUND OF THAT DEVICE THROUGH THE HIGH QUALITY AMPLIFIER OF THIS MUSIC SYSTEM.
- TO CONNECT THE EXTERNAL DEVICE PLEASE USE A STANDARD STEREO HEADPHONE (3.5MM TO 3.5MM PLUGS) CABLE TO CONNECT THE "HEADPHONE-OUT OR AUDIO LINE-OUT" OF THE DEVICE TO THE AUX-INPUT SOCKET OF THIS UNIT.
- SELECT THE FUNCTION TO "AUX IN" BY PRESSING THE SOURCE KEY ONCE.
- SWITCH ON THE EXTERNAL DEVICE (eg. MP3-PLAYER).
- START PLAYBACK OF THE EXTERNAL DEVICE AND ADJUST THE VOLUME CONTROL OF THE UNIT TO THE DESIRED LEVEL.
- REMEMBER TO SWITCH OFF THE UNIT AND THE EXTERNAL DEVICE WHEN YOU ARE FINISHED USING THE EXTERNAL DEVICE.
- SWITCH BACK TO BLUETOOTH® MODE ANYTIME BY PRESSING THE SOURCE KEY AGAIN.

### HANDS-FREE OPERATION

- THE UNIT INCLUDES A VERY USEFUL HANDS-FREE FUNCTION WHICH ENABLES YOU TO USE IT AS A SPEAKER PHONE.
- MAKE SURE THE UNIT IS ON AND PAIRED WITH YOUR PHONE DEVICE AS DESCRIBED.

TO RECEIVE A CALL: PRESS THE HANDS-FREE KEY (7) ONCE.  
TO END A CALL: PRESS THE HANDS-FREE KEY (7) AGAIN WHEN THE CALL IS FINISHED.  
TO REJECT A CALL: PRESS THE ON/ STANDBY/ CALL REJECT KEY (8).

E-4