

# CATALOG

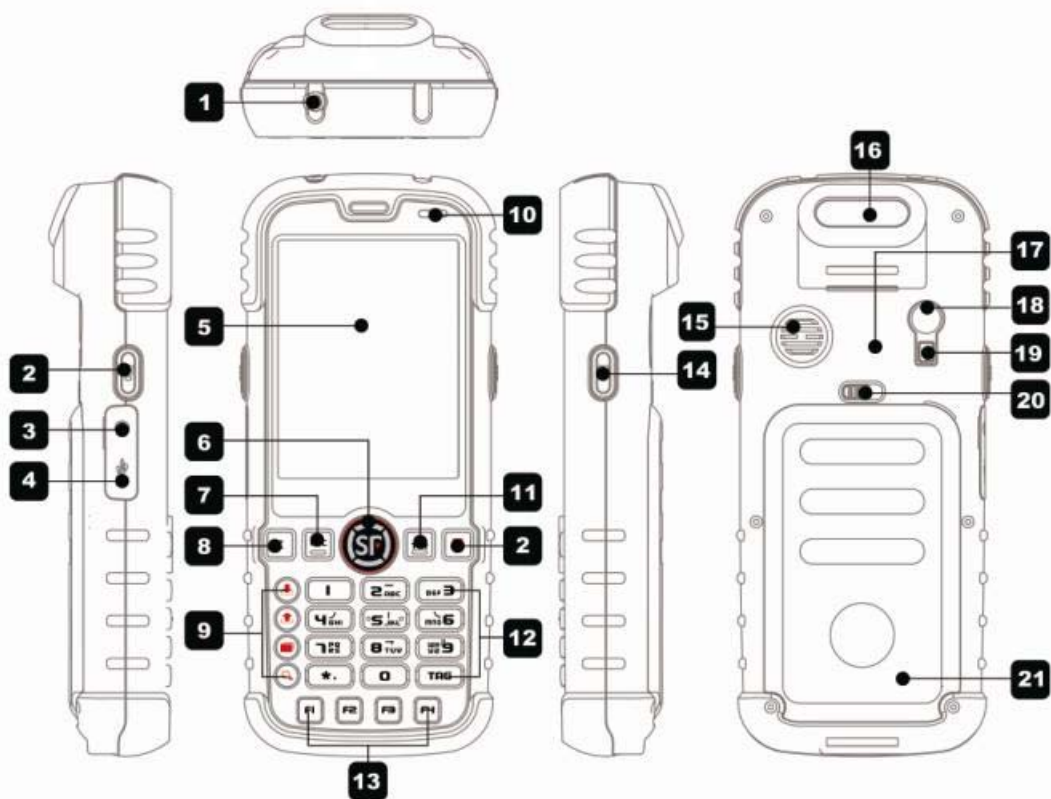
<b>I HHT-4GR Overview .....</b>	<b>2</b>
Product Features .....	2
Structure and Elements .....	3
<b>II Operation Guide .....</b>	<b>4</b>
Power on and off.....	4
Sleep and Wakeup .....	4
Hard Reset.....	4
Install and Remove Battery .....	5
Install SIM card and TF card .....	5
Charge the Battery .....	6
<b>Appendix .....</b>	<b>7</b>

# I HHT-4GR Overview

## Product Features

Item	Feature
OS	Windows Embedded CE 6.0
CPU	Samsung S3C6410 ARM11 667MHz
Frequency Bands	WCDMA 2100MHz, do not support voice service
Memory	256MB DDR SDRAM; 256MB OneNAND Flash
Camera	2M pixels CMOS 1600x1200 resolution with Flashlight
LCD	3.2" Transflective TFT LCD, 320*240 pixels, 262144 colors
Audio Output	Built-in Loudspeaker 16Bit stereo output
Physical Interface	Mini USB 2.0
WIFI	802.11b/g
Scanner	Single line miniature laser scan engine
Expanded Memory	Support Micro SD
Size	W68*L149*T28mm
Battery	3.7V 3000mAH lithium-ion polymer battery
AC Charger	Input: 100~240V ~0.3A 50~60Hz 12-15VA Output: 5V 1.0A Max
Operating Temp	-20°C to 50°C
Storage Temp	-25°C to 60°C
Humidity	95% non-condensing

# Structure and Elements



NO.	Component ID	NO.	Component ID	NO.	Component ID
1	Power Key	2	Scanner Key	3	Headset Jack
4	USB Jack	5	LCD & Touchpanel	6	Navigation Key
7	ESC Key	8	Return Key	9	Function Keys
10	LED Indicator Light	11	Enter Key	12	Number Keys
13	Function keys	14	Scanner Key	15	Speaker
16	Scanner Window	17	RESET Key	18	Camera
19	Flashlight	20	Battery Pack Cover Lock Switch	21	Battery Pack Cover

# II Operation Guide

## Power on and off

### Power on:

Short press the power key, the screen will turn light, device is launched to work.

### Power off:

Press and hold the power key for a while, the screen will turn off, and the device is switched off.



## Sleep and Wakeup

### Sleep:

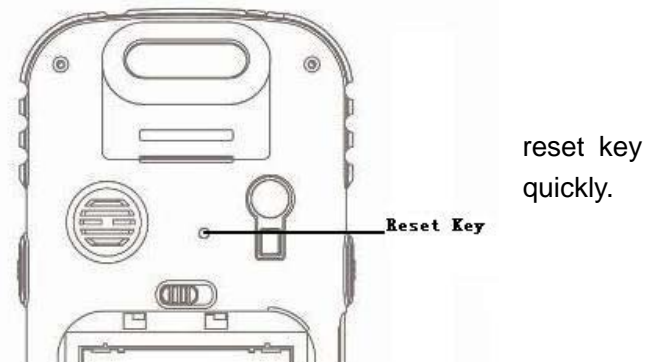
When the system enters into sleeping mode, it means the system enters a low power consumption mode, in which more power will be saved. There are two methods to enter into the sleeping mode. One method is leaving the device to go to sleep automatically. When the system is idle and no other operation occurs for a certain period, the system is going to sleep by itself automatically. The other method is to make it sleep manually, which you can short press the power key when the system is active, and then the screen will turn off, the system enters into sleeping mode.

### Wakeup:

When the system is sleeping, you can short press power key to wake up it, the screen will turn on, and you can operate the device normally.

## Hard Reset

When the system is running on, poke the on back of the device, the system will reset



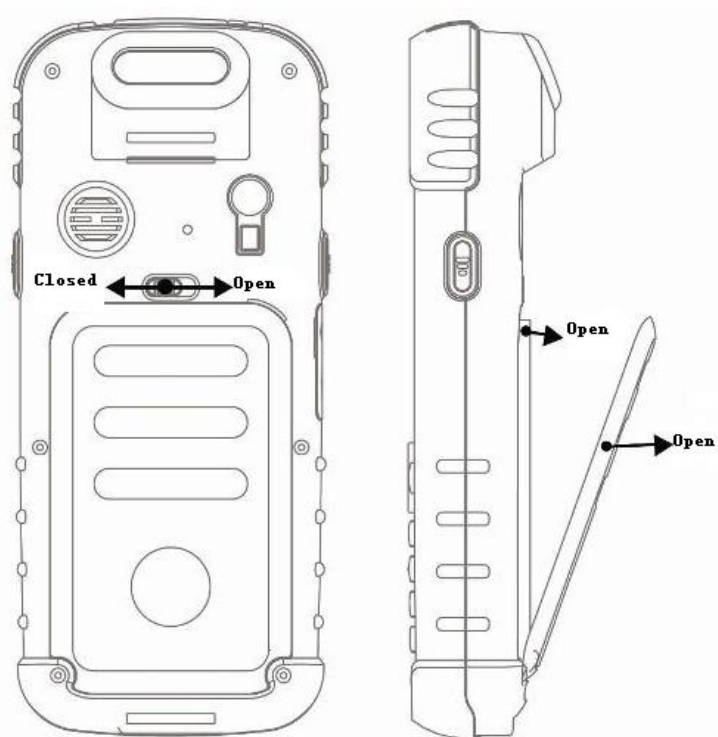
## Install and Remove Battery

Showing as the figure, battery cover locking key to the right, then press the cover at the side, lift the cover and remove battery cover.

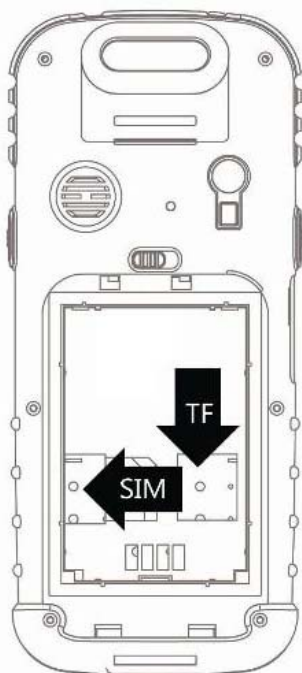
When removing the battery, press the up-line of the battery, the battery from the slot.

When replacing the battery, insert the battery bottom to the bottom, then press the battery slot.

When replacing the cover, make sure the cover and the slot bottom matched cover on the slot, and then locking key to the left and lock cover.



Slide the right, top-right the battery, then lift the battery, slot to the battery bottom well, slide the the



## Install SIM card and TF card

As the slot of SIM card, PSAM card and T-Flash card are placed in the battery slot, the battery must be removed if they are replaced or removed.

When replacing the SIM card, as the direction showing in the figure, insert the card to the slot, making sure the SIM card is matched well with the slot. Replacing the PSAM card is same as the SIM card

When replacing the T-Flash card, slide down the locking catch of the slot first, and then lift the locking catch, replacing the T-Flash in the slot, then cover the locking catch, and finally slide up the locking catch to lock the T-Flash card.

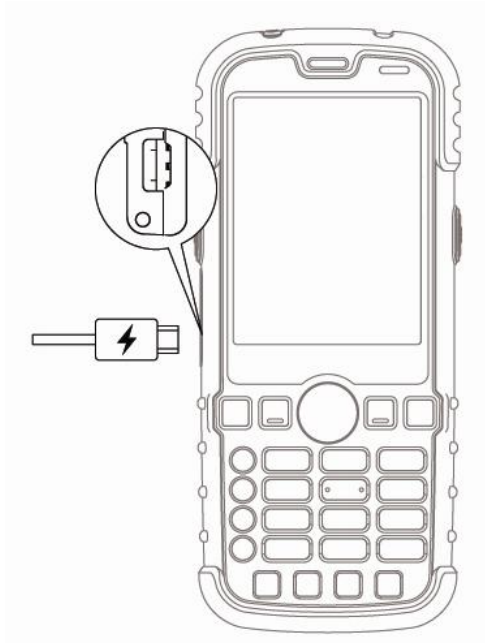
# Charge the Battery

You need to charge the battery before the device is used. Generally, the new battery will have longer life after several times of battery fully recharging and discharging. Thus, you need to charge the battery 12 hours at the first three charging, and wait for the battery completely discharged before the next the recharging.

Two Ways of Charging:

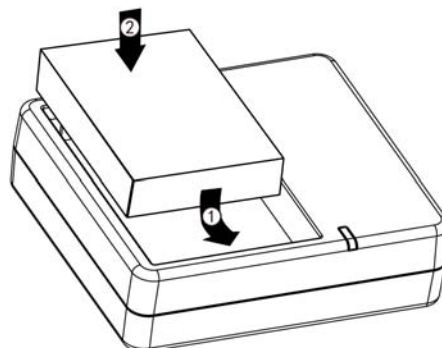
## 1 Using the travel charger for HHT4GR

- Charging when switching off when HHT4GR is switching off, connect the charger to the device, and then connect the charger to the 220v outlet. The indicator appears red light while charging and then turn off while fully charged.
- Charging when switching on when HHT4GR is switching on, connect the charger to the device, and then connect the charger to the 220v outlet. The indicator appears red light and the power indication on the screen shows the charging logo while charging and the red light turn off while fully charged.



- ☑ The travel charger can fully recharge the completely-discharged battery within 6 hours, and can recharge faster while switching off.

2 Using seat charger for recharging the battery. Remove battery from the HHT4GR, and the battery to the seat charger, then connect the charger to the outlet. The indicator appears red light charging. When fully charged, the indicator appears green light.



the insert and outlet. while

☑ The seat charger can fully recharge the completely-discharged battery hours, and because the electric

within 4

capacity of the seat charger is larger, please choose the seat charger for recharging as possible, not only for the fast charging but also for the battery life length.

# Appendix

## General Precautions

- **Damage requiring service**

Unplug the product from the electrical outlet and refer servicing to an authorized service technician or provider under the following conditions:

- Liquid has been spilled or an object has fallen into the product.
- The product has been exposed to rain or water.
- The product has been dropped or damaged.
- There are noticeable signs of overheating.
- The product does not operate normally when you follow the operating instructions.

- **Avoid hot areas**

The product should be placed away from heat sources such as radiators, heat registers, stoves, or other products (including amplifiers) that produce heat.

- **Avoid wet areas**

Never use the product in a wet location.

- **Avoid pushing objects into product**

Never push objects of any kind into cabinet slots or other openings in the product. Slots and openings are provided for ventilation. These openings must not be blocked or covered.

- **Mounting Accessories**

Do not use the product on an unstable table, cart, stand, tripod, or bracket. Any mounting of the product should follow the manufacturer's instructions, and should use a mounting accessory recommended by the manufacturer.

- **Avoid unstable mounting**

Do not place the product with an unstable base.

- **Use product with approved equipment**

This product should be used only with personal computers and options identified as suitable for use with your equipment.

- **Cleaning**

Unplug the product from the wall outlet before cleaning. Do not use liquid cleaners or aerosol cleaners. Use a damp cloth for cleaning, but NEVER use water to clean the LCD screen.

- **USB port**

Due to the used enclosure material, the GSM mobile phone shall only be connected to a USB interface of version 2.0 or higher. The connection to so called power USB is prohibited.

- **Charging**

When charging, please place the phone in an environment that has a normal room temperature and good ventilation. It is recommended to charge the phone in an environment with a temperature that ranges from 5°C~25°C. Please ensure to use only the charger offered by the manufacturer. Using unauthorized charger may cause danger and violate the authorization of the phone and the guarantee article.

## **Safety Precautions for Power Supply Unit**

- **Use the correct external power source**

A product should be operated only from the type of power source indicated on the electrical ratings label. If you are not sure of the type of power source required, consult your authorized service provider or local power company. For a product that operates from battery power or other sources, refer to the operating instructions that are included with the product.

- **Handle battery packs carefully**

This product contains a Li-ion Polymer battery. There is a risk of fire and burns if the battery pack is handled improperly. Do not attempt to open or service the battery pack. Do not disassemble, crush, puncture, short external contacts or circuits, dispose of in fire or water, or expose a battery pack to temperatures higher than 60°C (140°F).

CAUTION RISK OF EXPLOSION IF BATTERY IS REPLACED BY AN INCORRECT TYPE.

DISPOSE OF USED BATTERIES ACCORDING TO THE INSTRUCTIONS

- **Excessive sound pressure may harm your hearing**
- **This charger is for indoor use only.**



## SAR Information

- The SAR limit of USA is 1.6 W/kg. Device types HHT4GR has also been tested against this SAR limit. The highest SAR value reported under this standard during product certification for properly worn on the body is 0.436W/kg. This device was tested for typical body - worn operations with the back of the handset kept 1.5cm from the body. To maintain compliance with RF exposure requirements, use accessories that maintain a 1.5cm separation distance between the user's body and the back of the handset. The use of belt clips, holsters and similar accessories should not contain metallic components in its assembly. The use of accessories that do not satisfy these requirements may not comply with RF exposure requirements, and should be avoided.

## FCC Statement

This device complies with part 15 of the FCC rules. Operation is subject to the following two conditions: (1) this device may not cause harmful interference, and (2) this device must accept any interference received, including interference that may cause undesired operation.

NOTE: The manufacturer is not responsible for any radio or TV interference caused by unauthorized modifications to this equipment. Such modifications could void the user's authority to operate the equipment.

NOTE: This equipment has been tested and found to comply with the limits for a Class B digital device, pursuant to part 15 of the FCC Rules. These limits are designed to provide reasonable protection against harmful interference in a residential installation. This equipment generates uses and can radiate radio frequency energy and, if not installed and used in accordance with the instructions, may cause harmful interference to radio communications. However, there is no guarantee that interference will not occur in a particular installation. If this equipment does cause harmful interference to radio or television reception, which can be determined by turning the equipment off and on, the user is encouraged to try to correct the interference by one or more of the following measures:

- Reorient or relocate the receiving antenna.
- Increase the separation between the equipment and receiver.
- Connect the equipment into an outlet on a circuit different from that to which the receiver is connected.
- Consult the dealer or an experienced radio/TV technician for help

## R&TTE DECLARATION

Hereby, S.F. EXPRESS GROUP CO., LTD declares that this device is in compliance with the essential requirements and other relevant provisions of Directive 1999/5/EC.

For the declaration of conformity, visit the Web site [www.sf-express.com /certification](http://www.sf-express.com/certification).



Notice: Observe the national local regulations in the location where the device is to be used.

This device may be restricted for use in some or all member states of the European Union (EU)

**Warning!** DANGER OF EXPLOSION IF BATTERY IS INCORRECTLY REPLACED. TO REDUCE RISK OF FIRE OR BURNS, DO NOT DISASSEMBLE, CRUSH, PUNCTURE, SHORT EXTERNAL CONTACTS, EXPOSE TO TEMPERATURE ABOVE 60°C (140°F), OR DISPOSE OF IN FIRE OR WATER. REPLACE ONLY WITH SPECIFIED BATTERIES. RECYCLE OR DISPOSE OF USED BATTERIES ACCORDING TO THE LOCAL REGULATIONS OR REFERENCE GUIDE SUPPLIED WITH YOUR PRODUCT.

