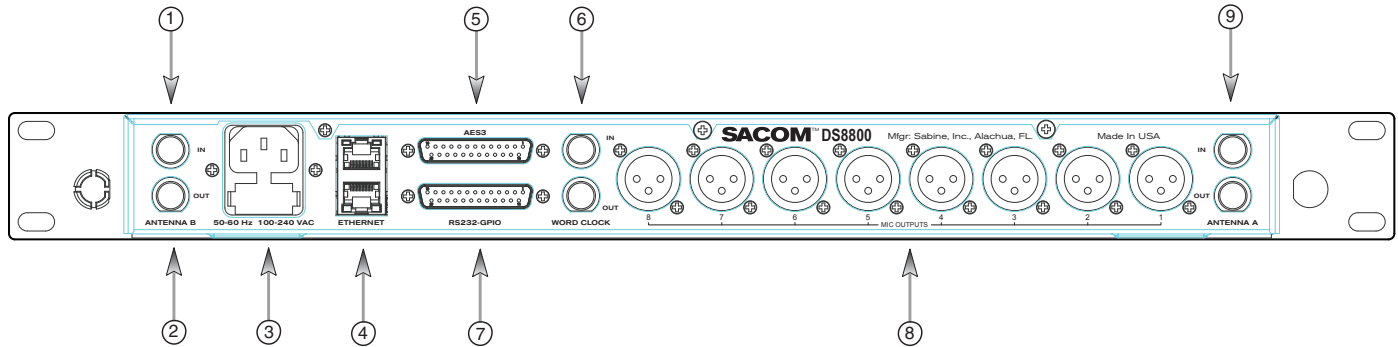
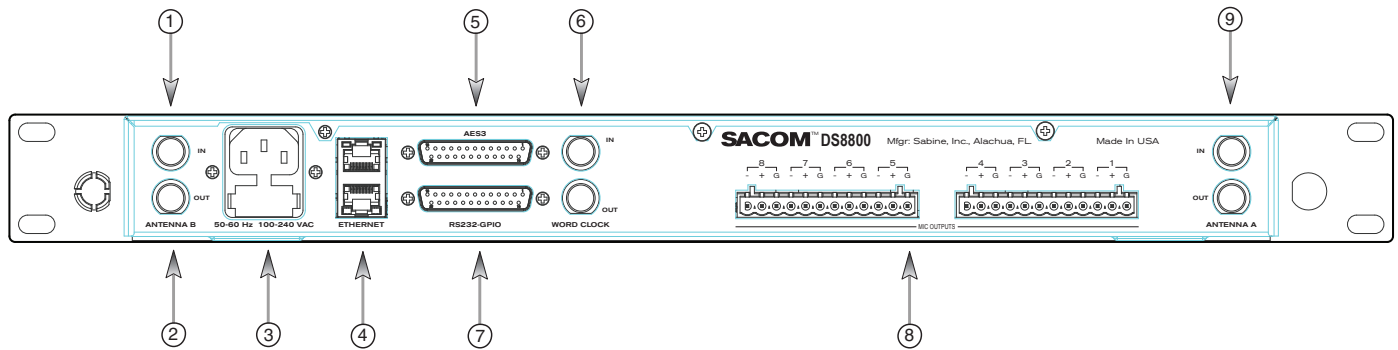


Receiver:

BACK PANEL (XLR Connector):



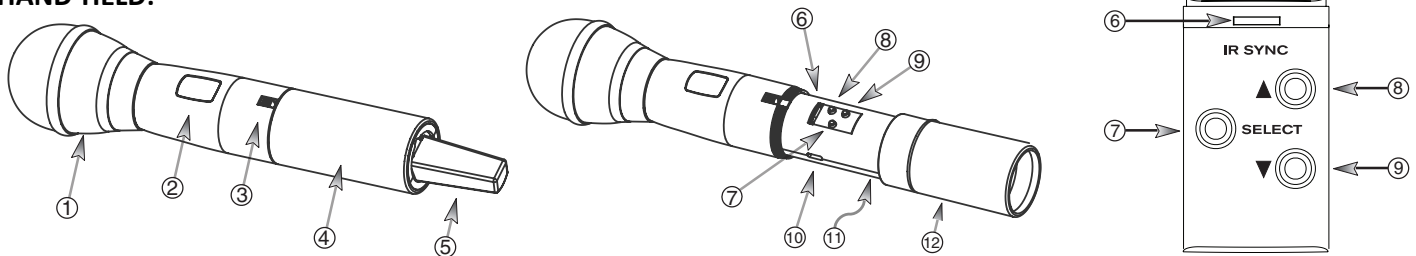
BACK PANEL (Euro-Block Connector):



1. **Antenna A Input:** TNC connector for dipole antennas (included), front-to-back antenna cables (included), or antenna cable to active extension antenna.
2. **Antenna A Output:** Daisy-chain to the input of another receiver-frame to form an antenna network.
3. **Power Cord Input:** (Cord with local plug configuration Included). 100-240 VAC, 50/60Hz, 15 W, 250V 320mA slow-blow fuse (spare included)
4. **Ethernet:** Connect to a computer or network. Multiple receiver-frames can be daisy-chained together to form a network. (Under construction)
5. **AES/EBU-3 Digital-Audio Output:** Uses the standard Yamaha wiring convention(1). (NOTE: This feature is optional. The connector jack is included on all receivers, but the feature must be specified at the time of purchase. It cannot be added at a later date.)
6. **BNC connectors:** for word clock digital-audio synchronizing.
7. **GPIO/RS232:** This connector combines a General Purpose Input / Output (GPIO) and a RS232 on one DB25 connector. The RS232 can be disabled to add up to 24 GPIO pins.
RS232: The pinout for the RS232 is the standard pinout. Pin 2 on the receiver is transmit, pin 3 is receive, and pin 7 is ground. Most computers now use a DB9 connector for RS232. The standard off-the-shelf DB9 to DB25 cable will work. This cable swaps pins 2 and 3 internally. If you computer has a DB25 connector for RS232, use a straight DB25 to DB25 cable. Do not use a null modem cable.
GPIO: GPIO acts like a contact closure. Use SACOM™ Remote to assign an event that toggles the GPIO pin. The factory default toggles pins X through X to correspond to muting a receiver module. SACOM™ Remote has a feature that lets you assign how the system responds to a transmitter mute (see SACOM Remote)
 - A. Mute the channel's receiver audio. (Factory default)
 - B. Toggle the GPIO but do not mute the receiver audio. Use this with automated mixers or echo cancelling DSPs.
 - C. Mute the channels receiver audio and toggle the GIPO pin.
8. **Audio Output Jacks:** Configured for four or eight-module receiver frames and for XLR or Euro-block terminal connectors.
9. **Antenna B Input:** TNC connector for dipole antennas (included), front-to-back antenna cables (included), or antenna cable to active extension antenna (see section on antennas, antenna placement and antenna cables).
10. **Antenna B Output:** Daisy-chain to the input of another receiver-frame to form an antenna network.

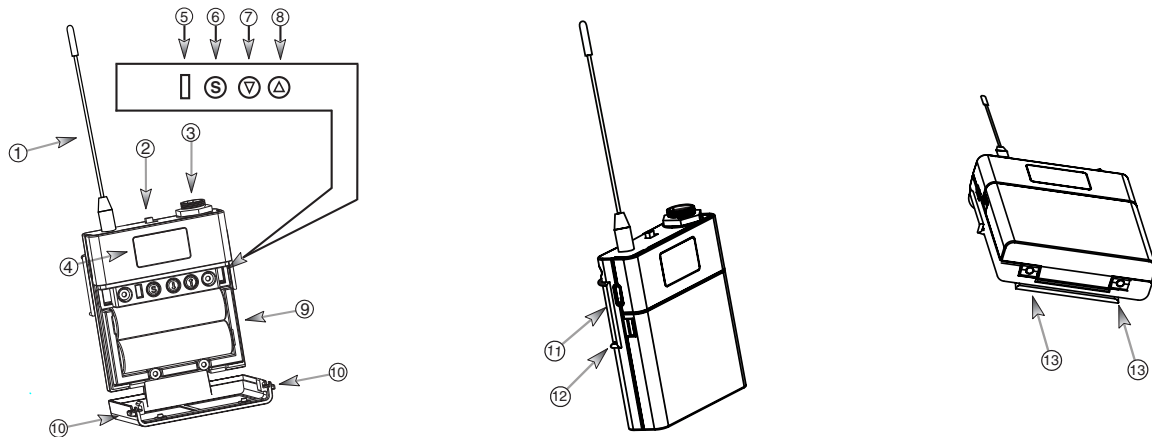
Transmitters:

HAND-HELD:



1. **Heads:** Five (5) microphone elements are available, both condenser and dynamic, depending on the application of the microphone user (including Audix OM3 and OM5 dynamic heads). In general, condenser heads are more “transparent” and do not require the microphone to be held as close to the mouth. On the other hand, dynamic heads are often preferred for live performance because they tend to accent the bass tones and they do not distort with very loud singing.
2. **Display:** OLED display is used to program and display the current status of the transmitter functions.
3. **Switch:** User programmable to toggle on/off, on/mute/ or on/on.
4. **Battery and Control Cover:** Unscrew counter-clockwise and gently slide open.
5. **Antenna Cover:** Do not hold the antenna cover. Your hand will shield the RF signal and cause poor audio performance.
6. **IR Sensor Port:** The IR sensor is used to transfer channel settings and a random encryption key from the receiver to the transmitter.
7. **Select button:** Press this button to select a function. The first press activates the first edit able function in the tree. Press again to move to the next edit able function.
8. **Parameter Up:** Press this button to increase the value of the selected function.
9. **Parameter Down:** Press this button to decrease the value for the selected function.
10. **USB Port:** Plug a micro USB cable into the USB port to charge the batteries or upgrade the firmware.
11. **Batteries:** (not shown) AA NiMH, 2200 to 2500-mAhr recommended.
12. **Battery Door:** Open position.

BELT PACK:

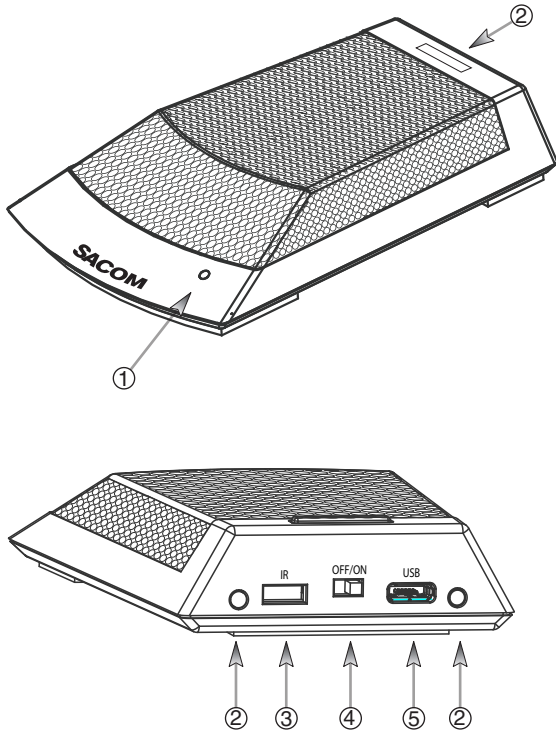


1. **Antenna:** Length and style varies with the transmitters model number. Antennas are field replaceable to improve reliability and redundancy.
2. **Programmable Switch:** Toggle on/off, on/mute/ or on/on.
3. **Microphone Connector:** TA4 mini XLR style: SACOM™ offers a full range of lavalier and headset microphones for optimal performance of your SACOM™ transmitter. Works with both snap in and screw-in microphones.
4. **Display:** OLED display is used to program and display the current status of the transmitter functions.
5. **IR Sensor Port:** The IR sensor is used to transfer channel settings and a random encryption key from the receiver to the transmitter.
6. **Select:** Press this button to select a function. The first press activates the first edit able function in the tree. Press again to move to the next edit able function.
7. **Parameter Down:** Press this button to decrease the value for the selected function.
8. **Parameter Up:** Press this button to increase the value of the selected function.
9. **Batteries:** AA NiMH, 2200 to 2500-mAhr recommended.
10. **Battery Door Locks:** To open, press both at the same time and lift the door open. To close, snap the door closed.
11. **USB Port:** Plug a micro USB cable into the USB port to charge the batteries or upgrade the firmware.
12. **Belt-Clip:** Spring-loaded clip for attaching the transmitter to a belt or similar object. Spring pressure presses the clip into two holes in the transmitter body. Pull them out to remove or reverse the clip. Exercise caution to prevent injury or scratching the case.
13. **Contacts:** Charging contact points for the docking station.

Transmitters:

CONFERENCE TABLE-TOP:

The SACOM™ DS80-C Conference Table-top Mic combines the professional audio specs and security of a wired mic with wireless convenience. Available in omni or cardioid polar pick-up patterns with 265-bit FIPS 197 encryption.



1. **Power LED:** When the Table Mic is on, the LED signals:
 Red = audio mute
 Green = audio passes
 Blinking Red = battery low
 Blinking Green = sync successful.
2. **Programmable switch:** Talk, Mute, On/Off
3. **Contacts:** Contact points for the charging station.
4. **I/R Sensor:** Inputs programming instructions and encryption key from the receiver.
5. **Power Switch:** On / Off.
6. **USB Port:** Doubles as the power supply / recharger connection and computer programming port. The transmitter operates normally under USB power, with dead or no batteries for permanent installations.

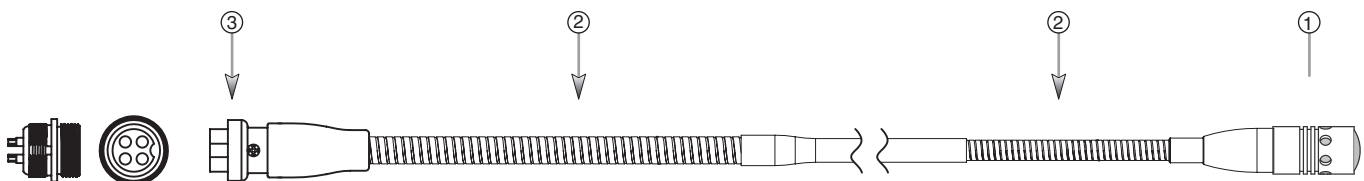
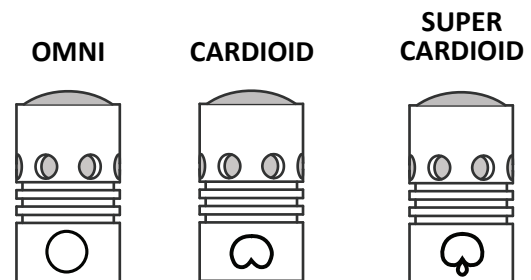
PODIUM GOOSENECK STEM :

SACOM™ Gooseneck Podium Mic Stems are available in 22", 18", 12", and, 6" lengths that are interchangeable and feature interchangeable capsules available in omni, cardioid, and, super cardioid polar patterns.

1. Interchangeable microphone capsule.
2. Flexible stem section.
3. A 4-pin XLR connector allows the exchange of different length microphone stems (6, 12, 18, 22 inch lengths).

GOOSENECK MIC CAPSULE:

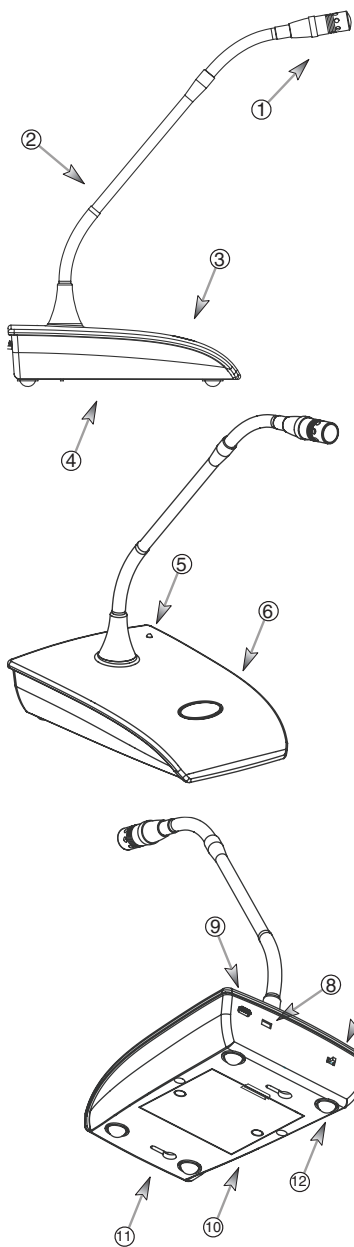
Capsules are interchangeable and are available in omni, cardioid, and, super cardioid polar patterns.



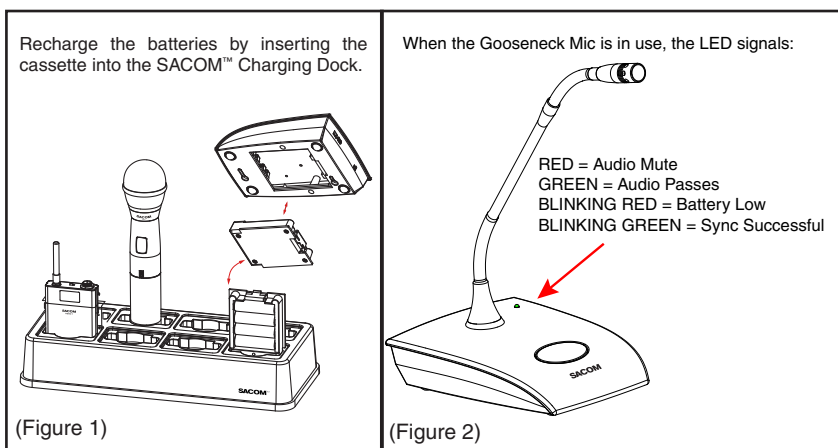
Transmitters:

PODIUM GOOSENECK:

The SACOM™ Podium microphone combines the professional audio specs and security of a wired mic with wireless convenience. For use with battery power or permanently install the microphone using USB power.



1. **SACOM™ Capsules:** Select cardioid, super-cardioid, or, omni-directional sensitivity polar patterns.
2. **Goosenecks:** Two flexible sections to extend over a laptop or briefcase. Available in 6, 12, 18 inch lengths.
3. **Radio-transparent ABS Top:** Stylish design that hides and protects the antenna.
4. **Cast Metal Bottom:** Zinc base bottom adds stability and absorbs desk noise.
5. **Power LED:** (see fig. 2 below)
6. **Button Programming Options:**
 - press to talk
 - press to mute
 - toggle on or off
7. **Power Switch Programming Options:**
 - On / Off
 - On / Mute
 - On / On.
8. **I/R Sensor:** Inputs programming instructions and encryption key from the receiver.
9. **USB Port:** Doubles as the USB recharger connection and computer programming port. The transmitter operates normally under USB power, with dead or no batteries for permanent installations. When charging using the USB Port, The LED signals: RED = Charging / OFF = finished charging.
10. **Battery Cassette:** Push tab to remove the battery cassette. Recharge the batteries by inserting the cassette into the SACOM™ Charging Dock. (See figure 1) The battery cassette holds four, off-the-shelf, AA, NiMH batteries for up to 9.5 hours continuous usage per charge.
11. **Keyholes:** For permanent mounting
12. **Rubber Feet:** Absorb desk noise and provide a stable, non-skid base.



RF Exposure Information

- For the DS80H Handheld transmitter:
When transmitting, hold the radio in a vertical position with its microphone 2 inches (5 cm) away from your mouth and keep the antenna at least 2 inches (5 cm) away from your head and body
- For the DS80T BodyPack transmitter:
To maintain compliance with the Body Worn configuration use only supplied accessories. Other body-worn accessories or configurations may NOT comply with the FCC RF exposure requirements and should be not be used.
- The information listed above provides the user with the information needed to make him or her aware of RF exposure, and what to do to assure that this radio operates with the FCC RF exposure limits of this radio.
- This wireless microphone also complies with the following guidelines and standards regarding RF energy and electromagnetic energy levels as well as evaluation of those levels for human exposure:

FCC OET Bulletin 65 Edition 97-01 Supplement C, Evaluating Compliance with FCC Guidelines for Human Exposure to Radio Frequency Electromagnetic Fields.

American National Standards Institute (C95.1-1992), IEEE Standard for Safety Levels with Respect to Human Exposure to Radio Frequency Electromagnetic Fields, 3 kHz to 300 GHz.

American National Standards Institute (C95.3-1992), IEEE Recommended Practice for the Measurement of Potentially Hazardous Electromagnetic Fields — RF and Microwave.