

Smart Cloud Camera

SMC-1



USER MANUAL

Table of Contents

1. Introduction.....	2
● System Requirement.....	3
2. Preparation.....	4
● Component & Accessories.....	4
● Part Name.....	5
3. Setup Smart Camera.....	6
● Wireless On.....	6
● Control via App.....	7
● Wireless Off.....	7
4. Appendix.....	8
● Specification.....	8
● SCC App (Smart Cloud Camera).....	11

1. Introduction

Welcome to the world of digital imaging. The following information will help you to use your **Smart Cloud Camera SMC-1** to its full capabilities.

Before you install and operate the product, please take a few minutes to read through this manual. It provides proper instructions for you to install and operate the product.



The **electronic device** may be affected by static electricity interference. Please plug-in / out and wait a few minutes to start this function.

● System Requirement

PC System Requirements

- Intel® Core2Duo 1.8G or AMD equivalent CPU
- 1 GB RAM internal memory minimum
- nVIDIA GeForce MX440 or above, AMD (ATi) Radeon 9200 or above
- DirectX 9.0 or higher
- Windows® XP (SP2 or higher) / Windows Vista™ / Windows 7™, Windows 8™

Note: If your system is Windows XP Service Pack I, please go to www.microsoft.com. It's free to update your system to Windows XP Service Pack II.

Mac System Requirements

- Power PC G5 or Intel Core Duo processor recommended
- 1 GB RAM internal memory minimum
- Mac OS 10.5 or above

2. Preparation

● Component & Accessories



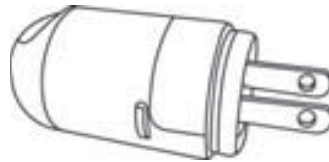
Smart Cloud Camera



User Manual



micro USB Cable

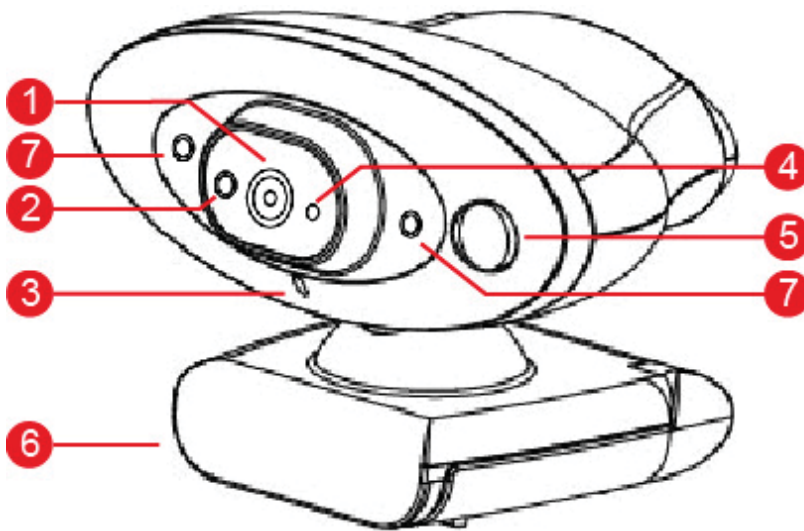


AC Wall Adaptor

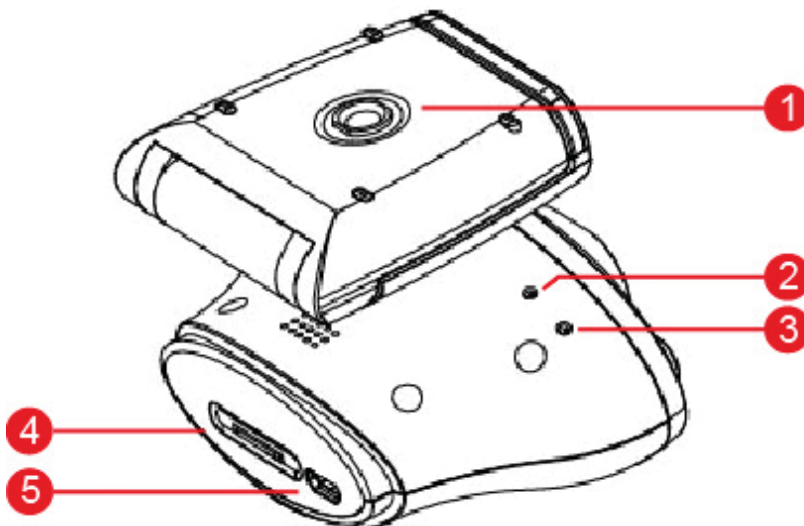


micro SD Card
(Optional)

● Part Name



- ① Lens
- ② Light Sensor
- ③ Microphone
- ④ Indicator
- ⑤ PIR Sensor
- ⑥ Rotable Stand
- ⑦ IR LEDs



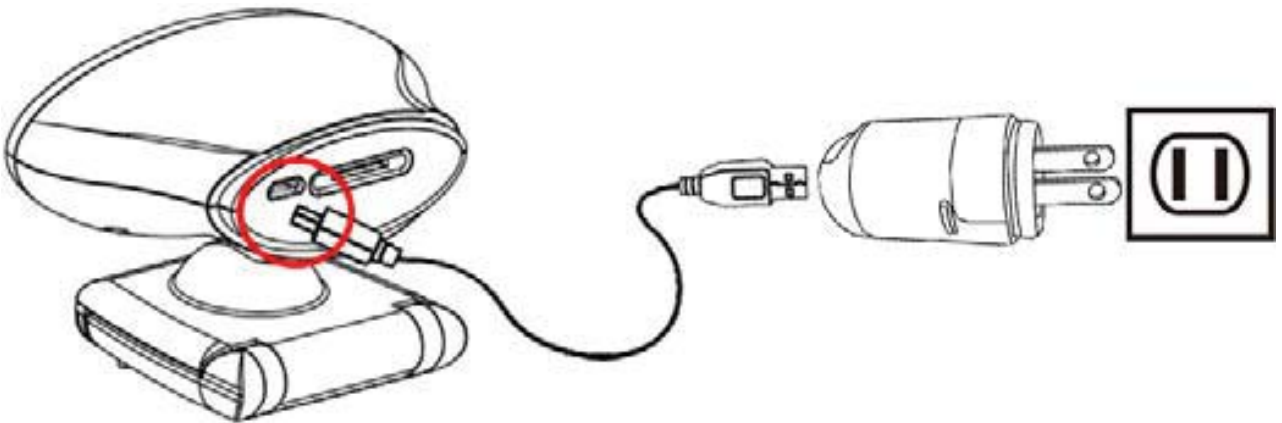
- ① Tripod Mount
- ② Reset Button
- ③ Setup Button
- ④ micro SD Card Slot
- ⑤ micro USB Port

3. Setup Smart Camera

Wireless function enables user to remotely control the camera via App from iOS and Android smartphones and tablets.

● Wireless On

1. Plug the micro USB cable with DC 5V into the micro USB port of the **Smart Camera** to turn it on.
2. Press the **Setup** Button of the Smart Camera to initiate it. The red Indicator LED blanking fast in the AP mode.



● Control via App

1. Download and install the App **SCC (Smart Cloud Camera)** from App Store for iOS or Google Play for Android.



2. Remotely control the **SMC-1** via **SCC (Smart Cloud Camera)** from iOS and Android smartphones and tablets.

● Wireless Off

The wireless turns off when the **SMC-1** power off.

4. Appendix

● Specification

Sensor	CMOS
Lens	Wide Angle, Fixed Focus, Optical 120°
Video Resolution	16:9
Video File Format	MOV
White Balance	Auto
Exposure	Auto
Video Encoder	H.264
Audio Encoder	AAC and AC3 mono, sample rate 48K
Audio Input	Built-in MIC
Wireless	IEEE 802.11 b/g/n standards compliant
Power	DC 5V via micro USB Adaptor
Storage	micro SDHC up to 32GB
Connector	USB 2.0, micro USB (5 pin)
Dimensions	90 (W) x 65 (H) x 62 (L) mm

※ Specifications are subject to change without prior notice.

Federal Communications Commission (FCC) Statement

15.21

You are cautioned that changes or modifications not expressly approved by the part responsible for compliance could void the user's authority to operate the equipment.



15.105(b)

This equipment has been tested and found to comply with the limits for a Class B digital device, pursuant to part 15 of the FCC rules. These limits are designed to provide reasonable protection against harmful interference in a residential installation. This equipment generates, uses and can radiate radio frequency energy and, if not installed and used in accordance with the instructions, may cause harmful interference to radio communications. However, there is no guarantee that interference will not occur in a particular installation. If this equipment does cause harmful interference to radio or television reception, which can be determined by turning the equipment off and on, the user is encouraged to try to correct the interference by one or more of the following measures:

- Reorient or relocate the receiving antenna.
- Increase the separation between the equipment and receiver.
- Connect the equipment into an outlet on a circuit different from that to which the receiver is connected.
- Consult the dealer or an experienced radio/TV technician for help.

This device complies with Part 15 of the FCC Rules. Operation is subject to the following two conditions:

- 1) This device may not cause harmful interference and
- 2) This device must accept any interference received, including interference that may cause undesired operation of the device.

FCC RF Radiation Exposure Statement:

1. This Transmitter must not be co-located or operating in conjunction with any other antenna or transmitter.
2. This equipment complies with FCC RF radiation exposure limits set forth for an uncontrolled environment. This equipment should be installed and operated with a minimum distance of 20 centimeters between the radiator and your body.

Trademark Information

QuickTime[™], Mac[™], and iOS[™] are trademarks of Apple Inc. or its related companies.

Android[™] is trademark of Google Inc. or its related companies.

Windows[®], Windows XP[®], Windows Vista[®], Windows 7[®], Windows 8[®], Windows Media Player[®] are trademarks of Microsoft[®] Corporation or its related companies.

This symbol on the product or in the instructions means that your electrical and electronic equipment should be disposed at the end of its life separately from your household waste. There are separate collection systems for recycling in the EU. For more information, please contact the local authority or your retailer where you purchased the product.



Smart Cloud Camera



Table of Contents

1. Wireless Connect.....	2
● Wireless On.....	2
● Link with the App Device (Android).....	2
2. Start Smart Cloud Camera.....	8
3. Index.....	9

1. Wireless Connect

Wireless function enables user to remotely control the camera via App from iOS and Android smartphones and tablets.

Download and install the App **SMC (Smart Camera)** from App Store for iOS or Google Play for Android.

● Wireless On

1. Power on the **Smart Cloud Camera**.
2. Make sure the wireless function of the camera has activated.

● Link with the App Device (Android)

1. Find the Setting of the iOS and press the “**Wi-Fi**”. Turn on the Wi-Fi and select an effective Wi-Fi network.

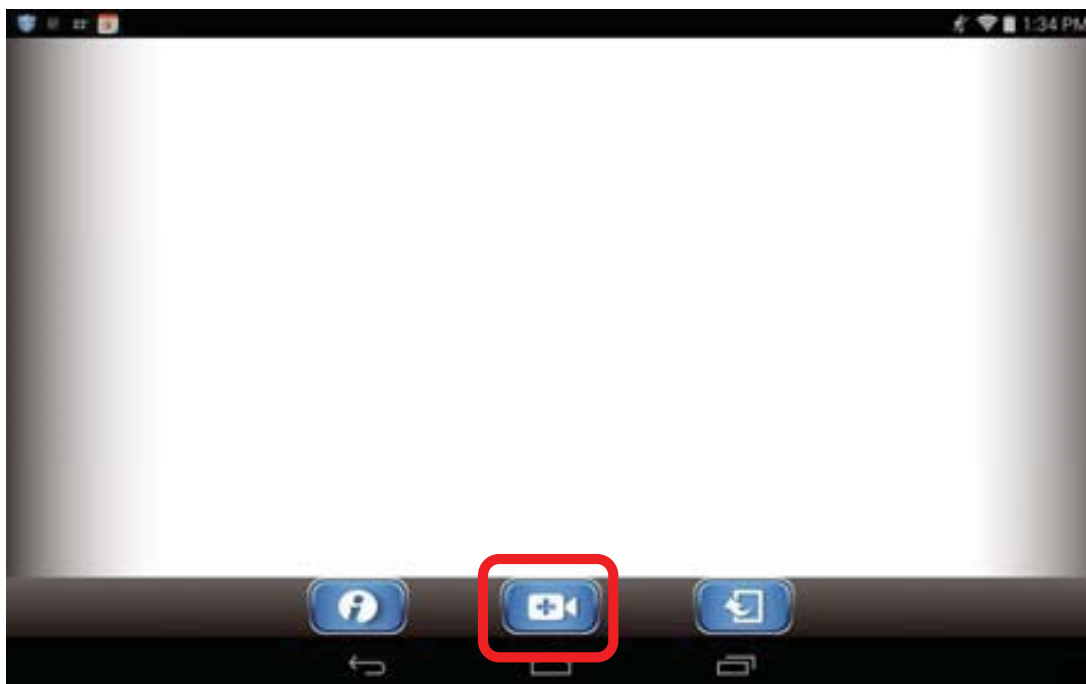
Note: The Smart Camera will use the same Wi-Fi network to access the internet.



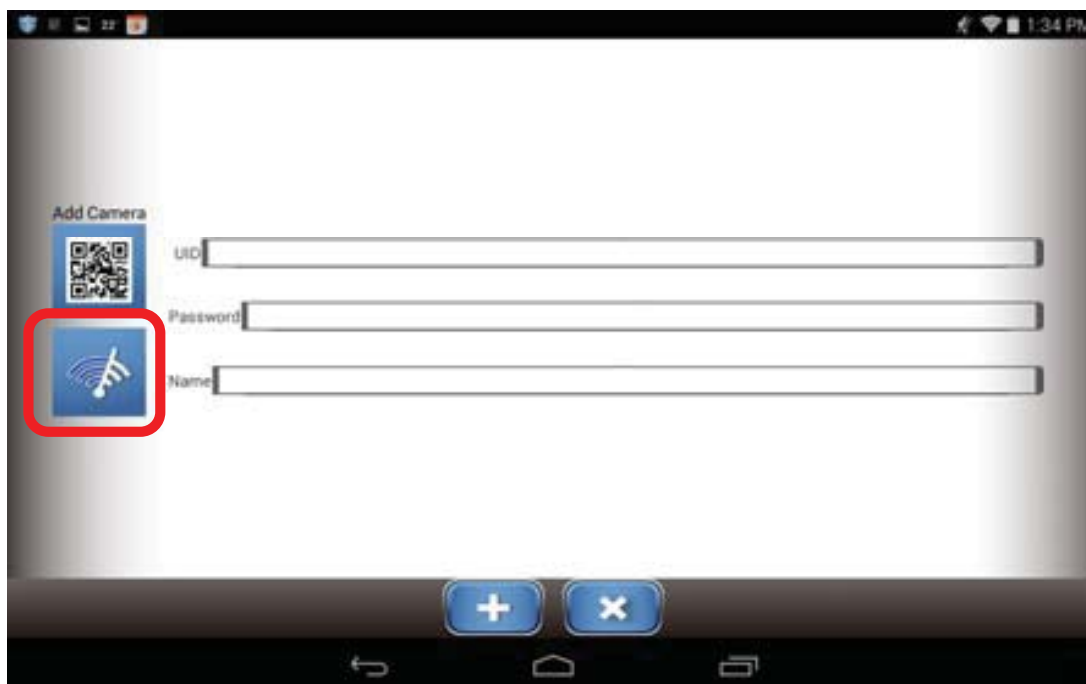
2. Find the **SCC** icon and press it.



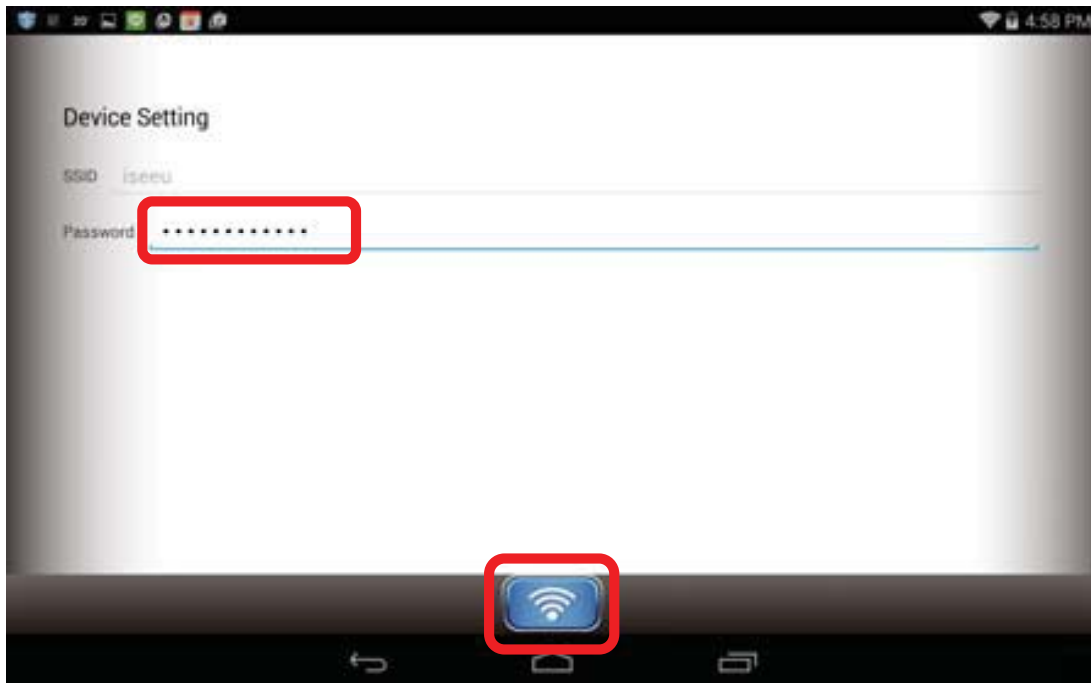
3. Press the **Add Camera Button**.



4. Press the **wireless** icon.



5. Enter the password of the selected SSID which will be used by the Smart Camera and link to the Internet. Then press the “Wi-Fi” Button.



6. Select your Smart Camera from “Select the device you want to add”. Then don't need to enter the password and press the Wi-Fi” Button directly.



7. Enter the password with “888888” and a Name of the camera.



8. Press the “+” to add this Smart Camera.



9. The new camera has added in the camera list. Then press the Function Icon .



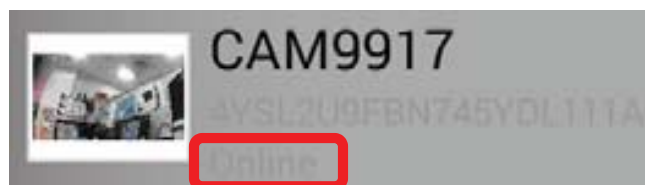
10. The Function Bar show on the below. Press the Reconnect Button to reboot the Smart Camera and Wi-Fi AP setting. The Indicator LED is blank.



11. When the Indicator LED solid on with Red, press the Reconnect Button again. The APP SCC reconnects the camera again.



12. The Smart Camera has installed and set-up completely when the status message of the added camera show "Online".

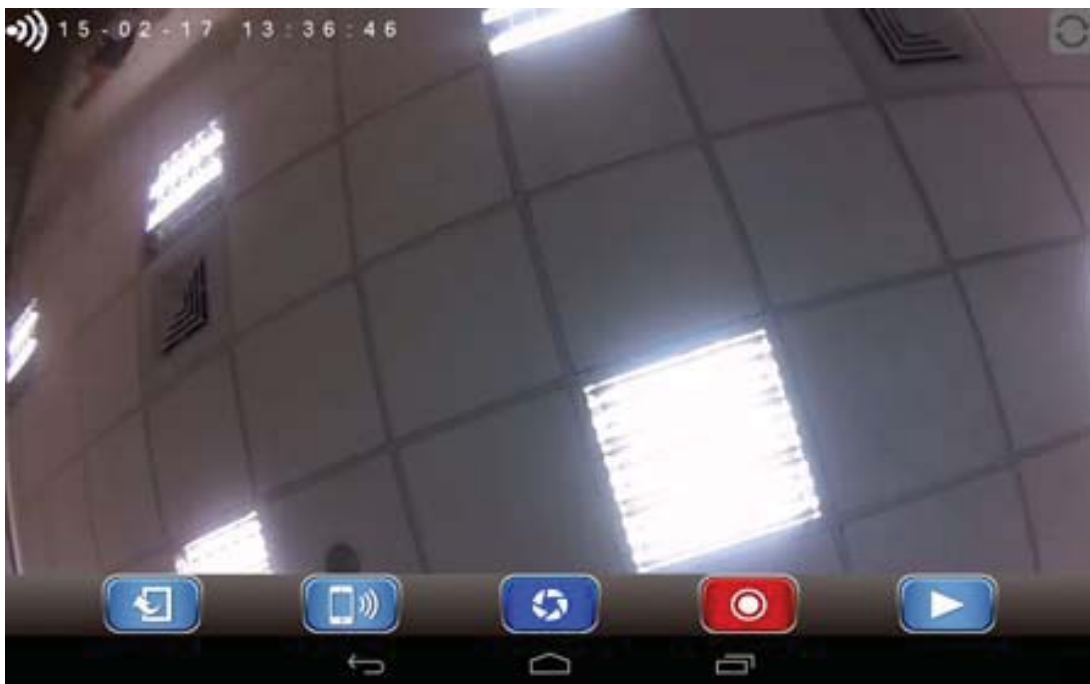


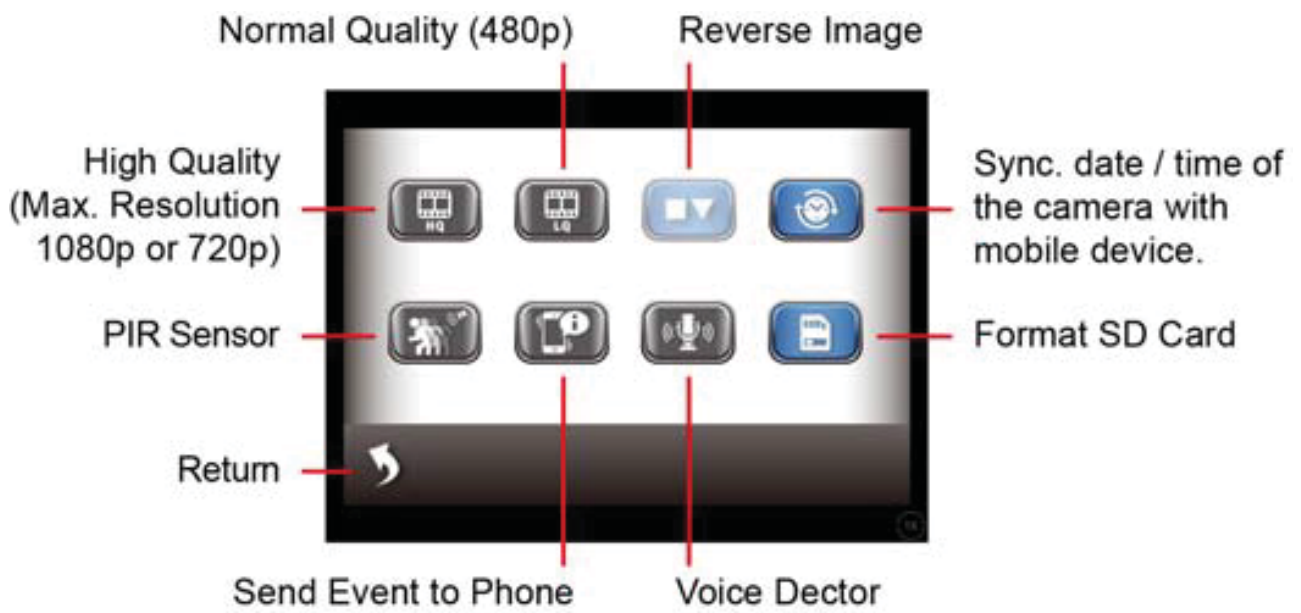
2. Start Smart Cloud Camera

1. Press the Smart Camera thumbnail which one you want to monitor.



2. Monitor the live view from your device.





FEDERAL COMMUNICATIONS COMMISSION INTERFERENCE STATEMENT

This equipment has been tested and found to comply with the limits for a Class B digital device, pursuant to Part 15 of the FCC Rules. These limits are designed to provide reasonable protection against harmful interference in a residential installation. This equipment generates, uses and can radiate radio frequency energy and, if not installed and used in accordance with the instructions, may cause harmful interference to radio communications. However, there is no guarantee that interference will not occur in a particular installation. If this equipment does cause harmful interference to radio or television reception, which can be determined by turning the equipment off and on, the user is encouraged to try to correct the interference by one or more of the following measures:

- Reorient or relocate the receiving antenna.
- Increase the separation between the equipment and receiver.
- Connect the equipment into an outlet on a circuit different from that to which the receiver is connected.
- Consult the dealer or an experienced radio/TV technician for help.

CAUTION:

Any changes or modifications not expressly approved by the party responsible for compliance could void the user's authority to operate the equipment.

FCC RF Radiation Exposure Statement:

1. This Transmitter must not be co-located or operating in conjunction with any other antenna or transmitter.
2. This equipment complies with FCC RF radiation exposure limits set forth for an uncontrolled environment. This equipment should be installed and operated with a minimum distance of 20 centimeters between the radiator and your body.