

CN-M8
Size: 214mm x 336mm
Printing color: Black
April 27, 2015
100gsm2 WF (書紙)

Limited One Year Warranty Information

eKids, LLC warrants this product to be free from defects in workmanship and materials, under normal use and conditions, for a period of one (1) year from the date of original purchase.

Should this product fail to function in a satisfactory manner, it is best to first return it to the store where it was originally purchased. Should this fail to resolve the matter and service still be required by reason of any defect or malfunction during the warranty period, eKids will repair or, at its discretion, replace this product without charge. This decision is subject to verification of the defect or malfunction upon delivery of this product to the Factory Service Center authorized by Customer Service.

If service is required, please call Customer Service at 1-888-TOP-TOYS to obtain a Return Authorization Number and shipping instructions.

Disclaimer of Warranty

NOTE: This warranty is valid only if the product is used for the purpose for which it was designed. It does not cover (i) products which have been damaged by negligence or willful actions, misuse or accident, or which have been modified or repaired by unauthorized persons; (ii) cracked or broken cabinets, or units damaged by excessive heat; (iii) damage to digital media players, CDs or tape cassettes (if applicable); (iv) the cost of shipping this product to the Factory Service Center and its return to the owner.

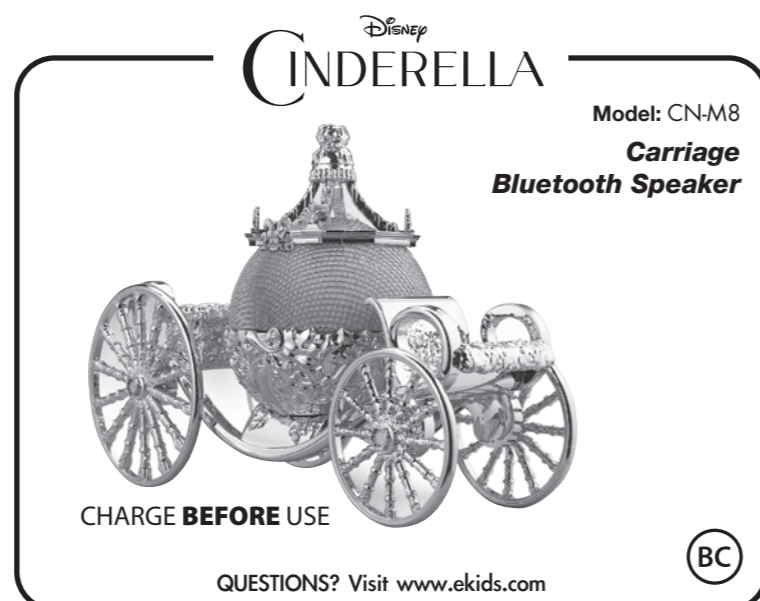
This warranty is valid only in the United States of America and does not extend to owners of the product other than to the original purchaser. In no event will eKids or any of its affiliates, contractors, resellers, their officers, directors, shareholders, members or agents be liable to you or any third party for any consequential or incidental damages, any lost profits, actual, exemplary or punitive damages, (Some states do not allow limitations on implied warranties or exclusion of consequential damages, so these restrictions may not apply to you.) This warranty gives you specific legal rights, and you may also have other rights which vary from state to state.

Your acknowledgment and agreement to fully and completely abide by the above mentioned disclaimer of warranty is contractually binding to you upon your transfer of currency (money order, cashier's check, or credit card) for purchase of your eKids product.

Questions? Visit www.ekids.com
For any other questions: 1-888-TOP-TOYS Toll Free
©2015 eKids LLC. All Rights Reserved.
© Disney All Rights Reserved
Visit the Disney website at Disney.com

CN-M8-150427A-EN-J

Printed in China



CN-M8 EN-B
Size: 214mm x 336mm
Printing color: Black
April 24, 2015
100gsm2 WF (書紙)

Meet Your CN-M8

CN-M8



CN-M8 unit

USB charging cable

2

Using the CN-M8

Pairing with a Different Device

When the speaker is ON, it will automatically link with the previously paired Bluetooth device as long as that device is still within range (approx. 30 feet). So to pair with a different device you must turn the Switch to the position.

Playing Audio Via Bluetooth

1. Move the Switch to the position (center) to listen to audio streamed wirelessly from your paired iPad, iPhone, iPod or other Bluetooth device.
The **Power/Charging/Pairing Indicator Light** on the unit will flash blue and a tone will sound as the unit searches for a previously paired device, and then turn solid blue once a previously paired device is detected.
2. Use the controls on your device to play or pause audio, navigate tracks and control volume from your Bluetooth device.
3. When done listening, move the Switch to the position (right) to turn the unit off.

6

Consumer Product Safety Guide IMPORTANT SAFETY INSTRUCTIONS

When used in the directed manner, this unit has been designed and manufactured to ensure your personal safety. However, improper use can result in potential electrical shock or fire hazards. Please read all safety and operating instructions carefully before installation and use, and keep these instructions handy for future reference. Take special note of all warnings listed in these instructions and on the unit.

1. **Water and Moisture** – The unit should not be used near water. For example: near a bathtub, washbowl, kitchen sink, laundry tub, swimming pool or in a wet basement.
2. **Ventilation** – The unit should be situated so that its location or position does not interfere with its proper ventilation. For example, it should not be situated on a bed, sofa, rug or similar surface that may block ventilation openings. Also, it should not be placed in a built-in installation, such as a bookcase or cabinet, which may impede the flow of air through the ventilation openings.
3. **Heat** – The unit should be situated away from heat sources such as radiators, heat registers, stoves or other appliances (including amplifiers) that produce heat.
4. **Power Sources** – The unit should be connected to a power supply only of the type described in the operating instructions or as marked on the appliance.
5. **Power-Cable Protection** – Power supply cables should be routed so that they are not likely to be walked on or pinched by items placed upon or against them. It is always best to have a clear area from where the cable exits the unit to where it is plugged into an AC socket.
6. **Cleaning** – The unit should be cleaned only using a warm damp cloth. Do not use solvents, etc.
7. **Objects and Liquid Entry** – Care should be taken so that objects do not fall and liquids are not spilled into any openings or vents located on the product.
8. **Attachments** – Do not use attachments not recommended by the product manufacturer.
9. **Lightning and Power Surge Protection** – Unplug the unit from the wall socket and disconnect the antenna or cable system during a lightning storm or when it is left unattended and unused for long periods of time. This will prevent damage to the product due to lightning and powerline surges.
10. **Overloading** – Do not overload wall sockets, extension cords, or integral convenience receptacles as this can result in a risk of fire or electric shock.
11. **Damage Requiring Service** – The unit should be serviced by qualified service personnel when:
A. the power supply cable or plug has been damaged.
B. objects have fallen into or liquid has been spilled into the enclosure.
C. the unit has been exposed to rain.
D. the unit has been dropped or the enclosure damaged.
E. the unit exhibits a marked change in performance or does not operate normally.
12. **Periods of Nonuse** – If the unit is to be left unused for an extended period of time, such as a month or longer, the power cable should be unplugged from the unit to prevent damage or corrosion.
13. **Service** – The user should not attempt to service the unit beyond those methods described in the user's operating instructions. Service methods not covered in the operating instructions should be referred to qualified service personnel.

Questions? Visit www.ekids.com
or call 1-888-TOP-TOYS Toll Free

FCC Information

FCC Radiation Exposure Statement

This equipment complies with FCC RF radiation exposure limits set forth for an uncontrolled environment.

This device complies with Part 15 of the FCC Rules, operation is subject to the following two conditions: (1) This device may not cause harmful interference, and (2) this device must accept any interference received, including interference that may cause undesired operation.

- Warning: Changes or modifications to this unit not expressly approved by the party responsible for compliance could void the user's authority to operate the equipment.
- NOTE: This equipment has been tested and found to comply with the limits for a Class B digital device, pursuant to Part 15 of the FCC Rules.

These limits are designed to provide reasonable protection against harmful interference in a residential installation. This equipment generates, uses and can radiate radio frequency energy and, if not installed and used in accordance with the instructions, may cause harmful interference to radio communications. However, there is no guarantee that interference will not occur in a particular installation. If this equipment does cause harmful interference to radio or television reception, which can be determined by turning the equipment off and on, the user is encouraged to try to correct the interference by one or more of the following measures:

- Reorient or relocate the receiving antenna.
- Increase the separation between the equipment and receiver.
- Connect the equipment into an outlet on a circuit different from that to which the receiver is connected.
- Consult the dealer or an experienced radio/TV technician for help.

CAN ICES-3 (B)/NMB-3(B)

IC Statement

The device meets the exemption from the routine evaluation limits in section 2.5 of RSS 102 and compliance with RSS-102 RF exposure, users can obtain Canadian information on RF exposure and compliance. Le dispositif rencontre l'exemption des limites courantes d'évaluation dans la section 2.5 de RSS 102 et la conformité à l'exposition de RSS-102 rf, utilisateurs peut obtenir l'information canadienne sur l'exposition et la conformité de rf.

IC Caution.

This device complies with Industry Canada licence-exempt RSS standard(s). Operation is subject to the following two conditions:

- (1) This device may not cause interference, and
- (2) This device must accept any interference, including interference that may cause undesired operation of the device.

Le présent appareil est conforme aux CNR d'Industrie Canada applicables aux appareils radio exempts de licence. L'exploitation est autorisée aux deux conditions suivantes:
(1) L'appareil ne doit pas produire de brouillage, et
(2) l'utilisateur de l'appareil doit accepter tout brouillage radioélectrique subi, même si le brouillage est susceptible d'en compromettre le fonctionnement.

Declaration ID B021180

Internal Rechargeable Lithium-ion Battery

This device uses an internal rechargeable lithium-ion battery that should last the lifetime of the device. If you suspect your battery may be dead, try charging it several times. If the battery does not recharge, please contact us for repair information.

WARNING/DISPOSAL OF UNIT

- Please do NOT attempt to change the battery yourself. If the battery has died and you do not want us to replace your battery, you should follow the disposal instructions below.
- Never dispose of used batteries/electronics with ordinary solid wastes, since they contain toxic substances.
 - Always dispose of used batteries/electronics in accordance with the prevailing community regulations that apply to the disposal of batteries/electronics. If there are no local regulations concerning battery/electronics disposal, please dispose of the device in a waste bin for electronic devices.
 - Many electronics retailers now recycle batteries and other electronic components at no charge. Check to see which ones in your area do so.
 - A warning that batteries (battery pack or batteries installed) shall not be exposed to excessive heat such as sunshine, fire or the like.

CAUTION

The battery used in this device may present a risk of fire, explosion or chemical burn if mistreated

- Never use or charge the battery if it appears to be leaking, discolored, deformed, or in any way abnormal.
- Never disassemble the unit or attempt to remove battery as that could cause leakage of alkaline solution or other electrolytic substance.
- Always confirm that the temperature is 5°C - 35°C (41° - 95° Fahrenheit) before you charge the battery. Leakage or deterioration of the battery may occur if this warning is not heeded.
- Never expose the battery to any liquid.
- Never expose the battery to excessive heat such as direct sunlight or fire. Never use the battery pack in an unventilated vehicle where excessive internal temperatures may be encountered.
- Always keep the battery out of the reach of infants and small children.

IMPORTANT

Read before proceeding

If you have any question regarding the operation or use of this product, please visit www.ekids.com to view answers to frequently asked questions.

To learn more about this and other eKids products, please visit us online at www.ekids.com

Introduction

Thank you for purchasing the CN-M8. This product is designed to provide high quality wireless sound for your iPad, iPhone, iPod, computer, PDA or other Bluetooth audio device.

This instruction booklet explains the basic operation and care of the unit. Please read them carefully and keep for future reference.

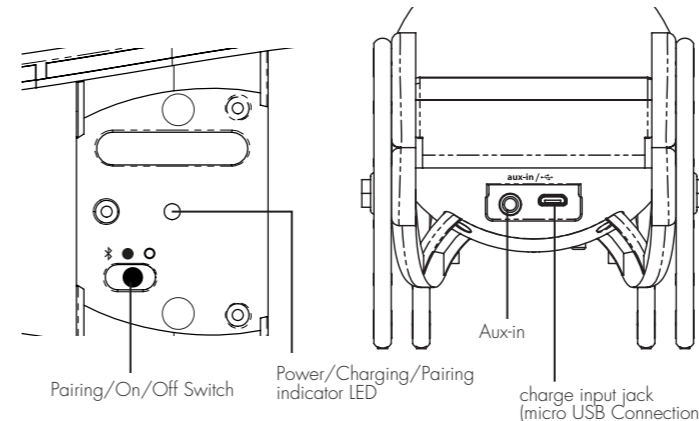
Maintenance

- Place the unit on a level surface away from sources of direct sunlight or excessive heat.
- Protect your furniture when placing your unit on a natural wood and lacquered finish. A cloth or other protective material should be placed between it and the furniture.
- Clean your unit with a soft cloth moistened only with mild soap and water. Stronger cleaning agents, such as benzene, thinner or similar materials can damage the surface of the unit.

1

Bottom

Back



Note: The ON position is for Audio In and Bluetooth. The BT position is for Bluetooth pairing. When not in use, slide Power Switch to the OFF position to save battery power.

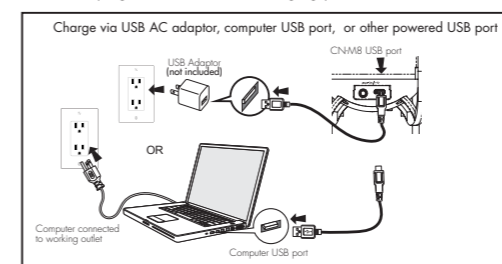
3

Using the CN-M8

Charging the Unit

CHARGE UNIT BEFORE USE

1. Connect the micro USB plug to the micro USB charging port on the back of the unit.



NOTE: When the unit is on and not connected to a power source, the Power/Charging/Pairing Indicator Light flashing red means the battery needs charging.

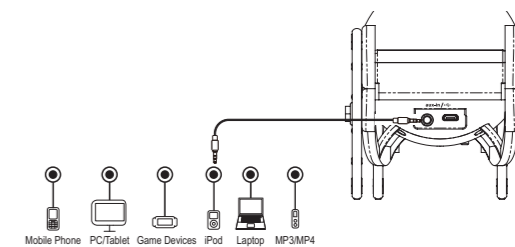
2. Connect the standard USB plug end of the cable to a power USB port on a computer or other USB charging device. For first time use, charge unit for about 8 hours.
3. The **Power/Charging/Pairing Indicator Light on the bottom of the unit glows red steadily while the unit is charging** and turns OFF once the unit is fully charged. If unit is not powered on when micro USB plug is connected, the red light glows steadily to indicate unit is charging.

4

Using the CN-M8

Playing Audio via Aux In

1. Connect a standard 3.5mm audio cable [not included] to the **aux-in** jack on the back of the unit and connect the other end to the headphone or lineout jack on your audio device.
2. Move the Switch to the position (center) to listen to audio via aux in. The **Power/Charging/Pairing Indicator Light** on the bottom of the unit will glow blue.
3. Power on the audio device and use the controls on the device to play or pause audio, navigate tracks and control volume.
4. When done listening, move the Switch to the position (right) to turn the unit off. Remember to turn off your audio device, too.



7

Troubleshooting

Unit doesn't respond (no power)

- Make sure unit is completely charged.
- Check that all connections are correct and properly plugged in.
- Make sure your device is properly paired with the CN-M8.
- Make sure the Switch is not in the position.
- The rechargeable battery in your speaker can be replaced only by eKids Consumer Repair Department.

Trouble pairing device/computer with CN-M8

Bluetooth implementation varies depending on your device's hardware and operating system. Please see our website for updates on pairing.

- When the speaker is in mode, it will automatically link with the last previously paired Bluetooth device if the device is still within range (approx. 30 feet).
- If your device does not auto-link when within range, repair the device. To do so, first delete the CN-M8 from your Bluetooth devices menu. Move the Switch on the unit to the position (left) to begin pairing (see page 5 for pairing details).
- Make sure your device is working properly. Check your device's manual for details on Bluetooth pairing and linking.

For further information and to see the latest instructions, visit www.ekids.com

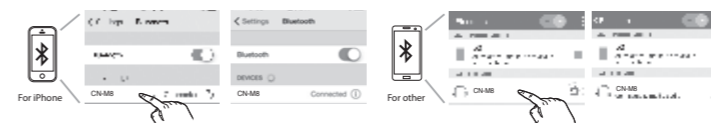
8

Pairing Your Device

Using the CN-M8

Pairing is the setup process to introduce your Bluetooth-capable device to the CN-M8. Once your device is paired, the CN-M8 can recognize it and you can play your audio through it.

1. Make sure your Bluetooth device is fully charged. Turn on your Bluetooth device and make it "discoverable" by turning on Bluetooth mode (check in Options or Settings).
2. Slide the Switch on the bottom of the unit to the position (left). The Bluetooth indicator will flash blue and red and a tone will sound, indicating pairing mode.
3. "CN-M8" should appear in your device's Bluetooth menu. If "Not Paired", "Not Connected" or similar message appears, select "CN-M8" to connect it. If prompted for a passcode, enter "1234" on your device's keypad.



4. If pairing is successful, a tone will sound and the Bluetooth indicator light will glow solid, indicating the CN-M8 is ready to play music. There should also be an indication on your device. If no device is successfully paired within 3 minutes the CN-M8 will default to previous mode. Once the CN-M8 is paired to a device, it will attempt to auto-link when the device is within range (about 30 feet).

5