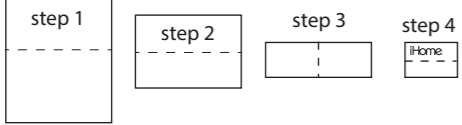


iBN24 EN-IB (of CR8630)  
Size: 214mm x 336mm  
Printing color: Black  
Dec 20, 2013v4  
100gsm2 WF (書紙)



## Limited 1 Year Warranty

iHome Products, a division of SDI Technologies Inc. (hereafter referred to as SDI), warrants this product to be free from defects in workmanship and material conditions, for a period of one (1) year from the date of original purchase.

Should this product fail to function in a satisfactory manner, it is best to first return it to the store where it was originally purchased. Should this fail to resolve the matter and service still be required by reason of any defect or malfunction during the warranty period, SDI will repair or, at its discretion, replace this product without charge. This decision is subject to verification of the defect or malfunction upon delivery of this product to the Factory Service Center authorized by SDI Customer Service. The product must include proof of purchase, including date of purchase. An out-of-warranty fee for service will be charged for units that are received without proof of purchase.

- Before returning this product for service, please first replace the batteries (if applicable) with fresh ones, as exhausted or defective batteries are the most common cause of problems encountered.
- If service is still required:
1. Call SDI Customer Service at 1-800-288-2792 for Return Authorization and for the address of the Factory Service Center.
  2. Remove the batteries (if applicable) and pack the unit in a well-padded, heavy corrugated box. SDI is not responsible for damage that occurs during shipping to the Factory Service Center.
  3. Enclose a photocopy of your sales receipt, credit card statement or other proof of the date of purchase, if within the warranty period. Also include your name and address information, a brief description for why the unit is being returned, and the return authorization number. No unit can be processed without a return authorization number.
  4. Write the return authorization number on the side of the shipping package and send the unit prepaid and insured to the Factory Service Center address authorized by SDI Customer Service.

**Disclaimer of Warranty**  
NOTE: This warranty is valid only if the product is used for the purpose for which it was designed. It does not cover (i) products which have been damaged by negligence or willful actions, misuse or accident, or which have been modified or repaired by unauthorized persons; (ii) cracked or broken cabinets, or units damaged by excessive heat; (iii) damage to digital media players, CD's or tape cassettes (if applicable); (iv) the cost of shipping this product to the Factory Service Center and its return to the owner. This warranty is valid only in the United States of America and does not extend to owners of the product other than to the original purchaser. In no event will SDI or any of its affiliates, contractors, resellers, their officers, directors, shareholders, members or agents be liable to you or any third party for any consequential or incidental damages, any lost profits, actual, exemplary or punitive damages. (Some states do not allow limitations on implied warranties or exclusion of consequential damages, so these restrictions may not apply to you.) This warranty gives you specific legal rights, and you may also have other rights which vary from state to state. Your acknowledgement and agreement to fully and completely abide by the above mentioned disclaimer of warranty is contractually binding to you upon your transfer of currency (money order, cashier's check, or credit card) for purchase of your SDI product.

© 2013 SDI Technologies, Inc. All rights reserved.  
Questions? Visit [www.ihome.com](http://www.ihome.com)  
or call 1-800-288-2792 Toll Free

iBN24-131219E

Printed in China

# iHome



Model: **iBN24(USA)**  
**iBN24A(Canada)**

**Portable Rechargeable  
NFC Bluetooth Speaker**



instruction manual



Nov 29, 2013

FCC ID: EMOIBN24  
IC: 9868-IBN24A

### FCC Statement

This equipment has been tested and found to comply with the limits for a Class B digital device, pursuant to part 15 of the FCC Rules. These limits are designed to provide reasonable protection against harmful interference in a residential installation. This equipment generates uses and can radiate radio frequency energy and, if not installed and used in accordance with the instructions, may cause harmful interference to radio communications. However, there is no guarantee that interference will not occur in a particular installation. If this equipment does cause harmful interference to radio or television reception, which can be determined by turning the equipment off and on, the user is encouraged to try to correct the interference by one or more of the following measures:

- Reorient or relocate the receiving antenna.
- Increase the separation between the equipment and receiver.
- Connect the equipment into an outlet on a circuit different from that to which the receiver is connected.
- Consult the dealer or an experienced radio/TV technician for help.

### FCC Statement

This device complies with FCC radiation exposure limits set forth for an uncontrolled environment. This device complies with Part 15 of the FCC Rules. Operation is subject to the following two conditions: (1) this device may not cause harmful interference, and (2) this device must accept any interference received, including interference that may cause undesired operation.

### Caution!

Any changes or modifications not expressly approved by the party responsible for compliance could void the user's authority to operate the equipment.

### IC Statement

This device complies with Industry Canada RSS-210. Operation is subject to the following two conditions: (1) this device may not cause interference, and (2) this device must accept any interference, including interference that may cause undesired operation of the device.

Le présent appareil est conforme aux CNR d'Industrie Canada applicables aux appareils radio RSS-210. L'exploitation est autorisée aux deux conditions suivantes : (1) l'appareil ne doit pas produire de brouillage, et (2) l'utilisateur de l'appareil doit accepter tout brouillage radioélectrique subi, même si le brouillage est susceptible d'en compromettre le fonctionnement.

The device meets the exemption from the routine evaluation limits in section 2.5 of RSS 102 and compliance with RSS-102 RF exposure, users can obtain Canadian information on RF exposure and compliance. Le dispositif rencontre l'exemption des limites courantes d'évaluation dans la section 2.5 de RSS 102 et la conformité à l'exposition de RSS-102 if, utilisateurs peut obtenir l'information canadienne sur l'exposition et la conformité de rf.

This device complies with Industry Canada licence-exempt RSS standard(s). Operation is subject to the following two conditions: (1) this device may not cause interference, and (2) this device must accept any interference, including interference that may cause undesired operation of the device.

Le présent appareil est conforme aux CNR d'Industrie Canada applicables aux appareils radio exempts de licence. L'exploitation est autorisée aux deux conditions suivantes : (1) l'appareil ne doit pas produire de brouillage, et (2) l'utilisateur de l'appareil doit accepter tout brouillage radioélectrique subi, même si le brouillage est susceptible d'en compromettre le fonctionnement.

CAN ICES-3 (B)/NMB-3(B)

QDID:B015122

### Introduction

Thank you for purchasing the iHome iBN24. This product is designed to provide high quality wireless sound for your iPad, iPhone, iPod, computer, PDA or other Bluetooth audio device.

Along with the included Quick Bluetooth Connection Guide this instruction booklet explains the basic operation and care of the unit. Please read them carefully and keep for future reference.

**This unit features NFC (near field communication) technology which allows you to wirelessly connect your NFC-enabled device to instantly 'pair and play'. See your device's user manual for details on how to interact with NFC devices.**

**If your Bluetooth device does not support NFC, you can pair it manually with this unit.**

### Maintenance

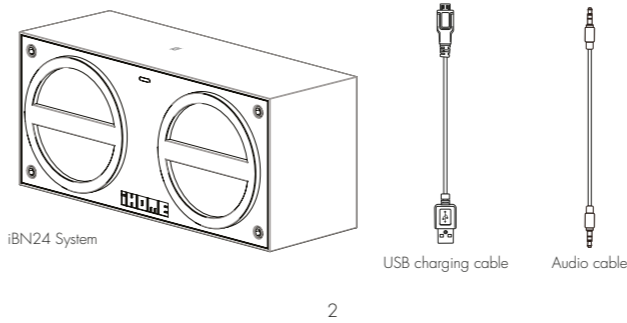
- Place the unit on a level surface away from sources of direct sunlight or excessive heat.
- Protect your furniture when placing your unit on a natural wood and lacquered finish. A cloth or other protective material should be placed between it and the furniture.
- Clean your unit with a soft cloth moistened only with mild soap and water. Stronger cleaning agents, such as benzene, thinner or similar materials can damage the surface of the unit.

1

iBN24 EN-IB (of CR8630)  
Size: 214mm x 336mm  
Printing color: Black  
Nov 19, 2013v3  
100gsm2 WF (書紙)

### Included

- iBN24 system
- Micro USB to USB charging cable
- 3.5mm stereo audio cable



iBN24 System

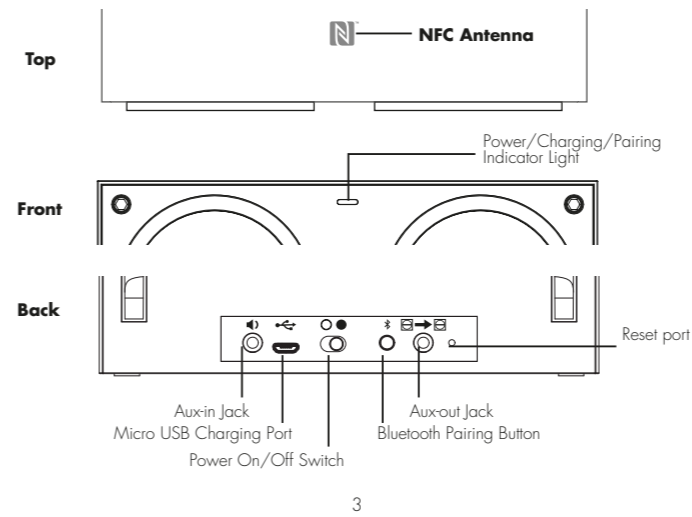
USB charging cable

Audio cable

2

6

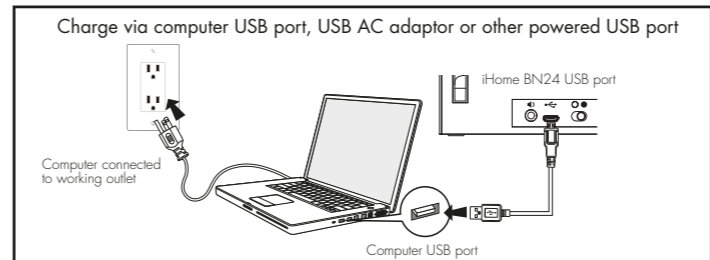
### Meet Your iBN24



3

### Charging the Unit

1. Connect the micro USB plug to the micro USB charging port on the back of the unit.



**NOTE: When unit is on and not connected to power source, the red light will slowly flash for a short time (10 times each minute) to indicate the battery needs charging.**

2. Connect the standard USB plug end of the cable to a power USB port on a computer or other USB charging device. For first time use, charge unit for about 3 hours.
3. A red light glows steadily while the unit is charging and turns OFF once the unit is fully charged. If unit is not powered on when micro USB plug is connected, the red light glows steadily to indicate unit is charging. For best sound performance, only operate the unit when fully charged.

4

8

### Using Bluetooth: Pairing and Playing Your Device **Using NFC**

This unit features wireless NFC pairing, which allows playing NFC-enabled devices to pair and play instantly. For pairing non-NFC devices, please see the following section "Pairing Your Device Manually".

1. Turn on your Bluetooth-enabled/NFC-enabled device and turn on NFC capability (typically under Settings) as described in the device's user manual.
2. Place your NFC-enabled device in play mode.
3. Move the **Power ON/OFF Switch** to the ON position.
4. Touch the **N** area of your playing NFC device against the **N** antenna on top of the unit. The unit will enter automatic pairing mode, tones will sound and the light will flash blue while the unit attempts to pair. If prompted, accept Bluetooth pairing. "iHome iBN24" should appear on your device's menu. Once paired with a device, the blue indicator light will glow steadily, a confirmation tone will sound and your music will play through the unit.
5. Use the controls on your device to play or pause audio, navigate tracks and adjust volume.
6. When done listening, move the **Power ON/OFF Switch** to OFF position to turn the unit OFF. Remember to turn off your audio device, too.

**NOTE:** To unlink your device, simply touch it again on the **N** antenna on top of the unit. Similarly, to switch between music playing from two paired NFC devices, touch the **N** area of the desired device to the **N** antenna on top of the unit.

To pair a device manually, please see the following "Pairing Your Device Manually" section.

5

### Using Bluetooth: Pairing Your Device **Manually**

For **First Time Use (auto pairing):**

1. Turn on your Bluetooth-enabled device and turn on Bluetooth capability as described in the device's user manual.
2. Move the **Power ON/OFF Switch** on the unit to the ON position (right). **The first time the unit is turned on it will enter auto pairing mode, indicated by a rapidly flashing blue light. NOTE: In any mode (auto link, pairing, Bluetooth or Aux audio) if the unit is connected to charging source, the indicator light will be red instead of blue.** "iHome iBN24" should appear on your device's menu. If "Not Paired", "Not Connected" or similar message appears, tap on "iHome iBN24" to complete pairing. If your device asks for a password, enter **1234** on the keyboard of your device.
3. Once paired with a device, the blue light will glow steadily. There should be an indication on your device that pairing is complete ("Connected" or similar). On some devices, you must then select "Use as Audio Device" or similar on the device's Bluetooth menu. Once paired, your device should auto-link to the iBN24 whenever within range (about 30 feet). If auto pairing did not work, press and hold the **Bluetooth Pairing Button** located on the back of the unit for 2 seconds to retry pairing.

**Once the Unit Has Paired with A Device (auto linking):**

1. When the unit has been paired with a device, the next time it is powered on, the unit will turn on in auto link mode and attempt to auto link to a previously paired device, indicated by a slowly flashing blue light. If a linked device is found, the indicator will glow solid blue.
2. If no linked device is found, the blue light will continue to flash slowly. Press and hold the **Bluetooth Pairing Button** located on the back of the unit for 2 seconds. The unit will enter pairing mode, 2 short beeps will sound and the light will flash blue rapidly while the unit attempts to pair.

### Using Bluetooth: Pairing Your Device (cont'd)

"iHome iBN24" should appear on your device's menu. If "Not Paired", "Not Connected" or similar message appears, tap on "iHome iBN24" to complete pairing. If your device asks for a password, enter **1234** on the keyboard of your device. If no device is paired within 2 minutes, the unit will revert to auto link mode. To retry pairing, press and hold the **Bluetooth Pairing Button** again.

### Playing Audio Via Bluetooth

1. Move the **Power ON/OFF Switch** to the ON position (right) to listen to audio streamed wirelessly from your paired iPad, iPhone, iPod or other Bluetooth device. The blue light will flash as the unit searches for a previously paired device, and then turn solid blue once a previously paired device is detected.
  2. Use the controls on your device to play or pause audio, navigate tracks and control volume from your Bluetooth device.
  3. When done listening, move the **Power ON/OFF Switch** to the OFF position (left) to turn the unit off.
- NOTE:** Aux-in audio is disabled when Bluetooth audio is playing from a different device.

7

### Playing Audio via Aux In

1. Connect the included 3.5 mm audio cable plug to the headphone or line-out jack on your audio device and the other end into the Aux-in Jack on the back of the unit.
2. Move the **Power ON/OFF Switch** to the ON position (right) to listen to audio via aux in. The indicator light will flash blue.
3. Power on the audio device and use the controls on the device to play or pause audio, navigate tracks and control volume. If your audio device is already paired with the unit, the light will glow steadily blue as in Bluetooth mode, but you will hear your audio via aux-in.
4. When done listening, move the **Power ON/OFF Switch** to the OFF position (left) to turn the unit off. Remember to turn off your audio device, too.

### Playing Audio via Aux Out

You can connect the unit to an external speaker via the Aux-out jack located on the back of the unit to expand the audio playing in Bluetooth or Aux-in modes.

1. Connect a 3.5 mm audio cable plug to the Aux-out jack on back of the unit and connect the other end to the line-in jack on your external speaker.
2. Move the **Power ON/OFF Switch** to the ON position (right).
3. Power on a Bluetooth or Aux-in audio device and use the controls on the device to play or pause audio, navigate tracks and control volume.
4. When done listening, move the **Power ON/OFF Switch** to the OFF position (left) to turn the unit off. Remember to turn off your audio device, too.

8

### Unit doesn't respond (no power)

- Make sure unit is completely charged.
- Check that all connections are correct and properly plugged in.
- Make sure your device is properly paired with the iBN24.
- Make sure the **Power ON/OFF Switch** is not in the OFF (left) position.
- If the unit cannot be charged up, please remove the aux-in cable from the unit and slide the **Power ON/OFF Switch** to OFF position before charging.

### Resetting the Unit

- If the unit is "frozen" or locks up, you may wish to reset it. To do so, turn the unit ON and press the end of paperclip or similar into the **reset port** on the back of the unit for less than 2 seconds to reset it without clearing Bluetooth settings. The unit will reset and power back on. (If pressed for longer than 2 seconds, the unit will reset but will not power back on.)
- To reset Bluetooth settings, turn unit ON then press and hold the **Bluetooth Pairing Button** on the back of the unit for 8 seconds. The light will flash red rapidly and a tone will sound. You will then need to re-pair any previously linked devices.

### Trouble pairing device/computer with iBN24

Bluetooth implementation varies depending on your device's hardware and operating system. Please see our website for updates on pairing.

- Make sure you have the latest firmware for your device.
- Make sure your device is working properly. Check your device's manual for details on Bluetooth pairing and linking.

For further information and to see the latest instructions, visit [www.ihome.com/support](http://www.ihome.com/support)

9

## Troubleshooting

