

iBT78v2 QSG

Size: 240mmW x 100mmH

folded: 60mmW x 100mmH

May 11, 2018

material: 260gsm2 art card, 2C + 1C

PMS7467C

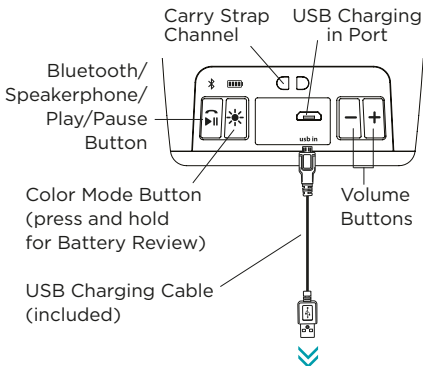
FRONT

iHome

Color Changing Rechargeable Bluetooth Speaker with Speakerphone Model: iBT78v2

QUICK START GUIDE

In the Box » iBT78v2 speaker » charging cable » carry strap

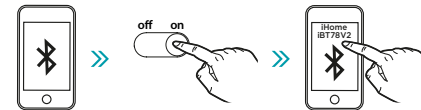


CHARGE UNIT BEFORE USE ABOUT 6 HOURS

Charge via USB AC adapter (not included) or other powered USB port

BLUETOOTH: PAIRING & PLAYING

Pairing the First Time



Manual Pairing



- » Make your Bluetooth device "discoverable"
- » Power on speaker (switch is on bottom of speaker)
- » The first time the unit is powered on it will enter auto-pairing mode.
- » Select "iHome iBT78v2" on your device's Bluetooth menu to complete pairing.
- » To manually pair, power on speaker then *press and hold* **Bluetooth Button** for 2 sec.
- » Press **Play/Pause Button** to play and pause Bluetooth audio.
- » Press **-/+ Buttons** to adjust speaker volume.

USING SPEAKERPHONE

Answer Call



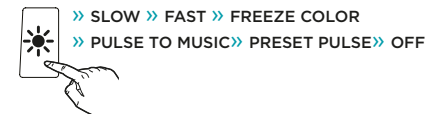
End Call



- » The speaker must be on and connected with a paired Bluetooth device to receive calls.
- » Press the **Speakerphone Button** to answer incoming call. Press again to end call. Press and hold to ignore.

COLOR CHANGING MODE

- » Press the **Color Mode Button** as needed to cycle through color modes:

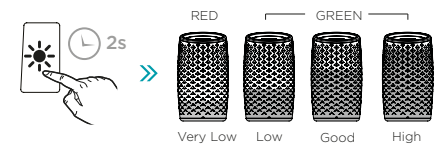


LED STATUS INDICATORS (TOP OF UNIT)



- Flashing red = charging
- Off = fully charged
- Flashing red = low battery (not connected)
- Flashing blue = pairing
- Solid blue = connected to bluetooth

BATTERY LEVEL REVIEW



- » Press and hold the **Color Mode Button** when unit is ON but not charging (micro USB cable not connected) to enter Battery Review Mode.

Contact Us: 1-800-288-2792

For warranty visit: www.ihome.com/support

BACK

May 11, 2018

TIP: On some iOS (Apple) devices, you can view the iBT78v2 battery status on your device's screen. When device is paired and connected, look for a vertical battery icon next to the Bluetooth icon on the upper right corner of the device's screen.



FCC Information

FCC ID: EMOIBT78V2
IC: 986B-IBT78V2

FCC Radiation Exposure Statement

This equipment complies with FCC RF radiation exposure limits set forth for an uncontrolled environment.

This device complies with Part 15 of the FCC Rules, operation is subject to the following two conditions: (1) This device may not cause harmful interference, and (2) this device must accept any interference received, including interference that may cause undesired operation.

- Warning: Changes or modifications to this unit not expressly approved by the party responsible for compliance could void the user's authority to operate the equipment.
- NOTE: This equipment has been tested and found to comply with the limits for a Class B digital device, pursuant to Part 15 of the FCC Rules.

These limits are designed to provide reasonable protection against harmful interference in a residential installation. This equipment generates, uses and can radiate radio frequency energy and, if not installed and used in accordance with the instructions, may cause harmful interference to radio communications. However, there is no guarantee that interference will not occur in a particular installation. If this equipment does cause harmful interference to radio or television reception, which can be determined by turning the equipment off and on, the user is encouraged to try to correct the interference by one or more of the following measures:

- Reorient or relocate the receiving antenna.
- Increase the separation between the equipment and receiver.
- Connect the equipment into an outlet on a circuit different from that to which the receiver is connected.
- Consult the dealer or an experienced radio/TV technician for help.

CAN ICES-3 (B)/NMB-3(B)

Canada Statement

This device complies with Industry Canada's licence-exempt RSSs. Operation is subject to the following two conditions:

- (1) This device may not cause interference; and
- (2) This device must accept any interference, including interference that may cause undesired operation of the device.

Le présent appareil est conforme aux CNR d'Industrie Canada applicables aux appareils radio exempts de licence. L'exploitation est autorisée aux deux conditions suivantes :

- (1) l'appareil ne doit pas produire de brouillage;
- (2) l'utilisateur de l'appareil doit accepter tout brouillage radioélectrique subi, même si le brouillage est susceptible d'en compromettre le fonctionnement.

The device meets the exemption from the routine evaluation limits in section 2.5 of RSS 102 and compliance with RSS-102 RF exposure, users can obtain Canadian information on RF exposure and compliance.

Le dispositif rencontre l'exemption des limites courantes d'évaluation dans la section 2.5 de RSS 102 et la conformité à l'exposition de RSS-102 rf, utilisateurs peut obtenir l'information canadienne sur l'exposition et la conformité de rf.

Internal Rechargeable Lithium-ion Battery

This device uses an internal non-replaceable rechargeable lithium-ion battery that should last the lifetime of the device. If you suspect your battery may be dead, try charging it for an extended period of time and try resetting the unit. If this fails, contact Customer Service at 1-800-288-2792.

WARNING/DISPOSAL OF UNIT

Do NOT attempt to change the battery. Doing so will void the warranty and could cause injury and damage to your device. To dispose of the unit, follow the instructions below:

- Never dispose of used batteries/electronics with ordinary solid wastes, since they contain toxic substances.
- Always dispose of used batteries/electronics in accordance with the prevailing community regulations.
- Many electronics retailers now recycle batteries and other electronic components at no charge

GENERAL BATTERY PRECAUTIONS

- Never use or charge a battery if it appears to be leaking, discolored, deformed, or in any way abnormal.
- Never disassemble the unit or attempt to remove battery as that could cause leakage of alkaline solution or other electrolytic substances.
- Avoid charging a rechargeable battery when the temperature is not within 5°C - 35°C (41° - 95° Fahrenheit).
- Never expose a battery to any liquid.
- Never expose a battery to excessive heat such as direct sunlight or fire. Never use a battery pack in an unventilated vehicle where excessive internal temperatures may be encountered.
- Always keep batteries out of the reach of infants and small children.

iBT78v2-180511-A

Printed in China

5/11/2018