

Model: Li-B33E7 (Front)
 IB (English)
 Size: 432Wmm x 400Hmm
 Color: Print in Black color
 Date: June 12, 2015



For Models That Use Lithium Batteries

- Lithium batteries can explode or cause burns if disassembled, shorted, exposed to water, fire, or high temperatures & not handled appropriately.
- Do not place loose batteries in a pocket, purse, or other container containing metal objects, do not mix with used or other battery types, or store with hazardous or combustible materials.
- Store in cool, dry, ventilated area.
- Follow applicable laws and regulations for transport and disposal.

A Consumer Guide to Product Safety

IMPORTANT SAFETY INSTRUCTIONS

When used in the directed manner, this unit has been designed and manufactured to ensure your personal safety. However, improper use can result in potential electrical shock or fire hazards. Please read all safety and operating instructions carefully before installation and use, and keep these instructions handy for future reference. Take special note of all warnings listed in these instructions and on the unit.

- Water and Moisture** – The unit should not be used near water. For example: near a bathtub, washbowl, kitchen sink, laundry tub, swimming pool or in a wet basement.
- Ventilation** – The unit should be situated so that its location or position does not interfere with its proper ventilation. For example, it should not be situated on a bed, sofa, rug or similar surface that may block ventilation openings. Also, it should not be placed in a built-in installation, such as a bookcase or cabinet, which may impede the flow of air through the ventilation openings.
- Heat** – The unit should be situated away from heat sources such as radiators, heat registers, stoves or other appliances (including amplifiers) that produce heat.
- Power Sources** – The unit should be connected to a power supply only of the type described in the operating instructions or as marked on the appliance.
- Power-Cable Protection** – Power supply cables should be routed so that they are not likely to be walked on or pinched by items placed upon or against them. It is always best to have a clear area from where the cable exits the unit to where it is plugged into an AC socket.
- Cleaning** – The unit should be cleaned only as recommended. See the Maintenance section of this manual for cleaning instructions.
- Objects and Liquid Entry** – Care should be taken so that objects do not fall and liquids are not spilled into any openings or vents located on the product.
- Attachments** – Do not use attachments not recommended by the product manufacturer.
- Lightning and Power Surge Protection** – Unplug the unit from the wall socket and disconnect the antenna or cable system during a lightning storm or when it is left unattended and unused for long periods of time. This will prevent damage to the product due to lightning and power-line surges.
- Overloading** – Do not overload wall sockets, extension cords, or integral convenience receptacles as this can result in a risk of fire or electric shock.
- Damage Requiring Service** – The unit should be serviced by qualified service personnel when:
 - the power supply cable or plug has been damaged.
 - objects have fallen into or liquid has been spilled into the enclosure.
 - the unit has been exposed to rain.
 - the unit has been dropped or the enclosure damaged.
 - the unit exhibits a marked change in performance or does not operate normally.
- Periods of Nonuse** – If the unit is to be left unused for an extended period of time, such as a month or longer, the power cable should be unplugged from the unit to prevent damage or corrosion.
- Servicing** – The user should not attempt to service the unit beyond those methods described in the user's operating instructions. Service methods not covered in the operating instructions should be referred to qualified service personnel.

Questions? Visit www.ekids.com

Maintenance

- Place the unit on a level surface away from sources of direct sunlight or excessive heat.
- Protect your furniture when placing your unit on a natural wood and lacquered finish. A cloth or other protective material should be placed between it and the furniture.
- Clean your unit with a soft cloth moistened only with mild soap and water. Stronger cleaning agents such as thinner or similar materials can damage the surface of the unit.

Limited 1 Year Warranty Information

eKids, LLC warrants this product to be free from defects in workmanship and materials, under normal use and conditions, for a period of one (1) year from the date of original purchase.

Should this product fail to function in a satisfactory manner, it is best to first return it to the store where it was originally purchased. Should this fail to resolve the matter and service still be required by reason of any defect or malfunction during the warranty period, eKids will repair or, at its discretion, replace this product without charge. This decision is subject to verification of the defect or malfunction upon delivery of this product to the Factory Service Center authorized by Customer Service. If service is required, please call Customer Service at 1-800-288-2792 to obtain a Return Authorization Number and shipping instructions.

Disclaimer of Warranty

NOTE: This warranty is valid only if the product is used for the purpose for which it was designed. It does not cover (i) products which have been damaged by negligence or willful actions, misuse or accident, or which have been modified or repaired by unauthorized persons; (ii) cracked or broken cabinets, or units damaged by excessive heat; (iii) damage to digital media players, CD's or tape cassettes (if applicable); (iv) the cost of shipping this product to the Factory Service Center and its return to the owner.

This warranty is valid only in the United States of America and does not extend to owners of the product other than to the original purchaser. In no event will eKids or any of its affiliates, contractors, resellers, their officers, directors,

shareholders, members or agents be liable to you or any third party for any consequential or incidental damages, any lost profits, actual, exemplary or punitive damages. (Some states do not allow limitations on implied warranties or exclusion of consequential damages, so these restrictions may not apply to you.) This warranty gives you specific legal rights, and you may also have other rights which vary from state to state.

Your acknowledgment and agreement to fully and completely abide by the above mentioned disclaimer of warranty is contractually binding to you upon your transfer of currency (money order, cashier's check, or credit card) for purchase of your eKids product.

Questions? Visit www.ekids.com
 For any other questions: 1-800-288-2792 Toll Free
 © & ™ Lucasfilm Ltd. Used Under License. eKids LLC

Charging the Li-B33

The Li-B33 is powered by a rechargeable battery in the speaker. **Make sure to charge speaker before use.**

- Connect the micro-USB plug to the **Audio/Charging jack** on the speaker.
- Connect the larger USB plug to a powered USB port, such as that on a computer. Your computer should be connected to a wall outlet when speaker is charging. The light on the speaker will turn to solid red while charging and turn off when fully charged.

When the battery is low, the red LED light will turn on. If you start to notice sound distortion at higher volumes, it's time to recharge the batteries. NOTE: The charging LED light will override the pairing LED light pattern.

Using Bluetooth with the Li-B33

- Whenever the unit is set to Bluetooth (Ⓚ) mode, the Li-B33 will attempt to autolink a previously paired device for 3 minutes. If no device is paired, or to pair a new device, follow the steps below:
- Make sure your Bluetooth device and the Li-B33 are fully charged. Turn on your Bluetooth device and turn on Bluetooth mode (check in Options or Settings).
- Slide the of **Aux/OFF/Ⓚ Switch** on the speaker to the Bluetooth position (Ⓚ). Press and hold the **Bluetooth Pairing Button** (Ⓚ) for 3 seconds. The red LED light will flash quickly, and a tone will sound as the speaker enters pairing mode.
- "StarWarsLi-B33" should appear on your device. If "Not Connected" or similar message appears, select "StarWarsLi-B33" to connect. If your device asks for a passcode, enter '1234'.
- Once paired, a confirmation tone will sound and the red LED will shut off. You can then stream audio to the speaker.
- Control Bluetooth audio from your device. Remember to turn off the speaker and your device after listening.
- If no device is paired within 3 minutes, a failure tone will sound, the red light will flash slowly and the unit will revert to standby mode. To retry pairing, press and hold the **Bluetooth Pairing Button** (Ⓚ) for 3 seconds. If pairing is not successful, turn the power "OFF" on the speaker and repeat pairing procedure.

NOTE: To cancel current pairing mode, quickly press the Bluetooth Pairing Button (Ⓚ) for 1 second.

Answer / End Calls

The Li-B33 also comes equipped with a Speakerphone function that will activate when a call is coming through to your linked Bluetooth device. When an incoming call is received on your device, briefly press the **Bluetooth Pairing/Speakerphone Button** on the speaker once to answer the call. Press and hold for 2 seconds to reject the call. Speak into the microphone during the call. To end the call, briefly press the **Bluetooth Pairing/Speakerphone** button again.

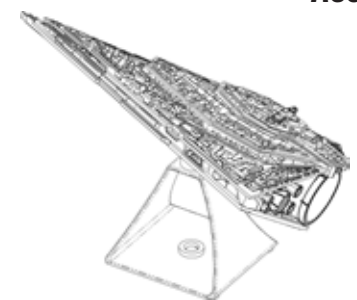
Using the Li-B33 with Aux Devices

- Connect the micro-USB plug to the **Audio/Charging jack** on the speaker.
- Connect the stereo 3.5mm audio plug to the headphone jack or line-out of any audio device.
- Slide the **Aux/OFF/Ⓚ Switch** on the speaker to the "Aux" position.
- Press play on your audio device and adjust its volume to listen to audio.
- When done listening, move the **Aux/OFF/Ⓚ Switch** to the OFF position to turn the unit off. Remember to turn off your audio device, too.



Model: Li-B33E7
Bluetooth Rechargeable Speaker

CHARGE BEFORE USE



Questions? Visit www.ekids.com



FCC ID: EMOLIB33E7
 IC: 986B-LIB33E7

FCC Information

FCC Radiation Exposure Statement

This equipment complies with FCC RF radiation exposure limits set forth for an uncontrolled environment. This transmitter must not be co-located or operating in conjunction with any other antenna or transmitter. This device complies with Industry Canada licence-exempt RSS standard(s). Operation is subject to the following two conditions: (1) this device may not cause interference, and (2) this device must accept any interference received, including interference that may cause undesired operation of the device.

The device meets the exemption from the routine evaluation limits in section 2.5 of RSS 102 and compliance with RSS-102 RF exposure, users can obtain Canadian information on RF exposure and compliance.

- This device complies with Part 15 of the FCC Rules, operation is subject to the following two conditions: (1) this device may not cause harmful interference, and (2) this device must accept any interference received, including interference that may cause undesired operation.
- Warning: Changes or modifications to this unit not expressly approved by the party responsible for compliance could void the user's authority to operate the equipment.
- NOTE: This equipment has been tested and found to comply with the limits for a Class B digital device, pursuant to Part 15 of the FCC Rules.

These limits are designed to provide reasonable protection against harmful interference in a residential installation. This equipment generates, uses and can radiate radio frequency energy and, if not installed and used in accordance with the instructions, may cause harmful interference to radio communications. However, there is no guarantee that interference will not occur in a particular installation. If this equipment does cause harmful interference to radio or television reception, which can be determined by turning the equipment off and on, the user is encouraged to try to correct the interference by one or more of the following measures:

- Reorient or relocate the receiving antenna.
- Increase the separation between the equipment and receiver.
- Connect the equipment into an outlet on a circuit different from that to which the receiver is connected.
- Consult the dealer or an experienced radio/TV technician for help.

This equipment should be installed and operated With minimum distance 10mm between the radiator & your body.

This device complies with Industry Canada licence-exempt RSS standard(s). Operation is subject to the following two conditions: (1) this device may not cause interference, and (2) this device must accept any interference, including interference that may cause undesired operation of the device.

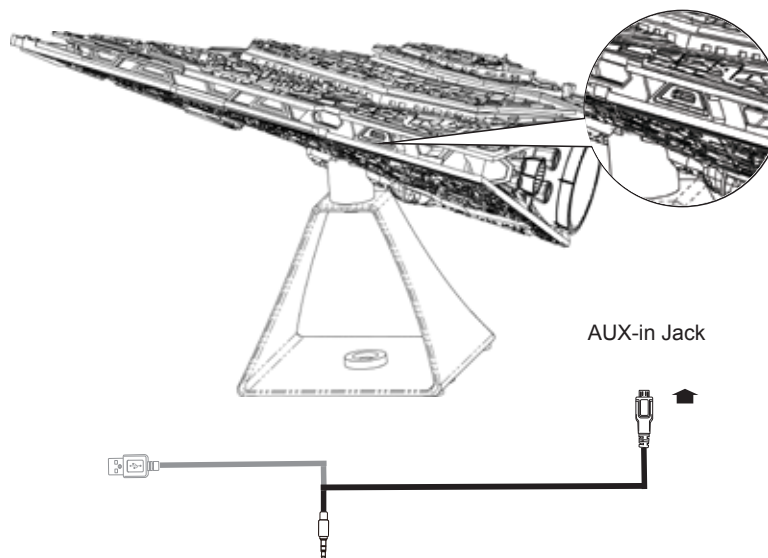
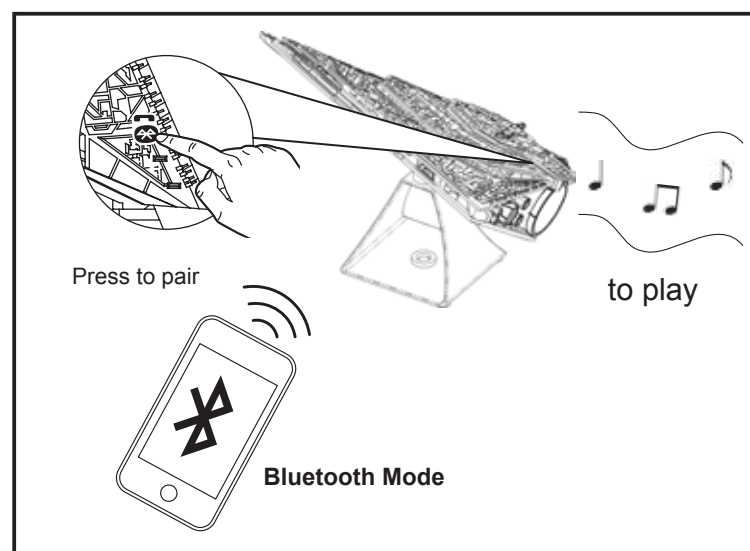
Le présent appareil est conforme aux CNR d'Industrie Canada applicables aux appareils radio exempts de licence. L'exploitation est autorisée aux deux conditions suivantes : (1) l'appareil ne doit pas produire de brouillage, et (2) l'utilisateur de l'appareil doit accepter tout brouillage radioélectrique subi, même si le brouillage est susceptible d'en compromettre le fonctionnement.

Cet équipement doit être installé et utilisé à une distance minimale de 10 mm entre le radiateur et votre corps.

CAN ICES-3 (B)/NMB-3(B)
 Declaration ID: XXXXXX

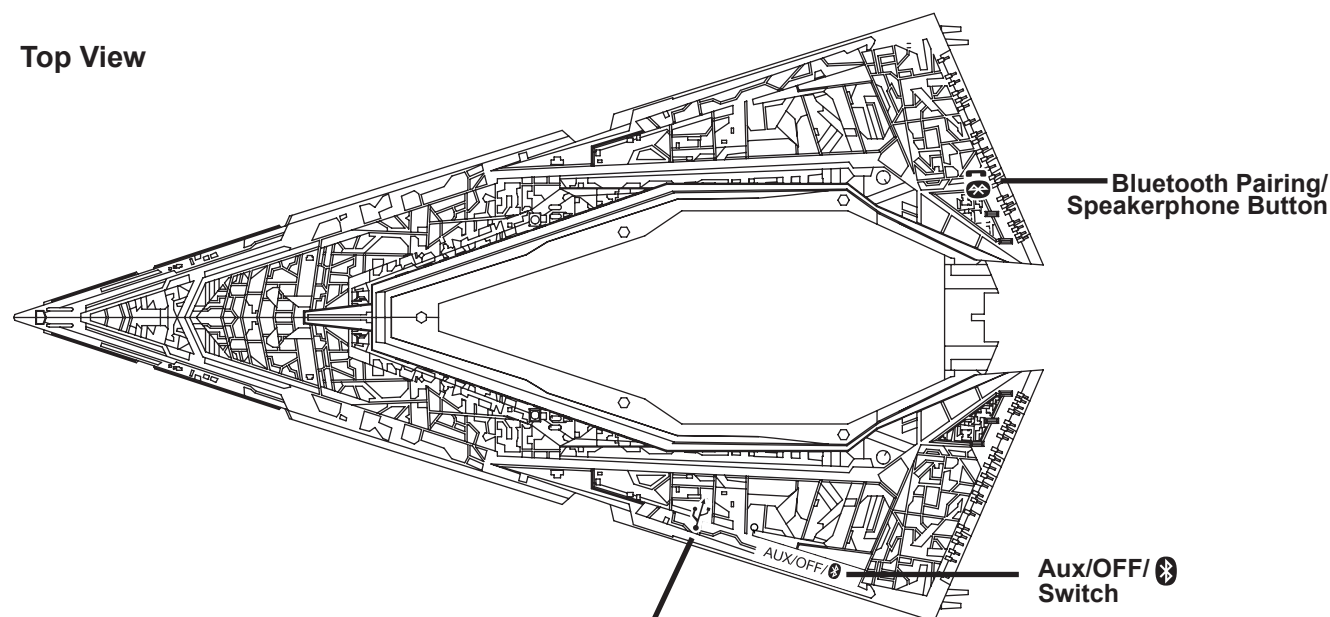
IMPORTANT

Read before proceeding
 If you have any question regarding the operation or use of this product, please visit www.ekids.com to view answers to frequently asked questions.
 To learn more about this and other iHome products, please visit us online at www.ekids.com

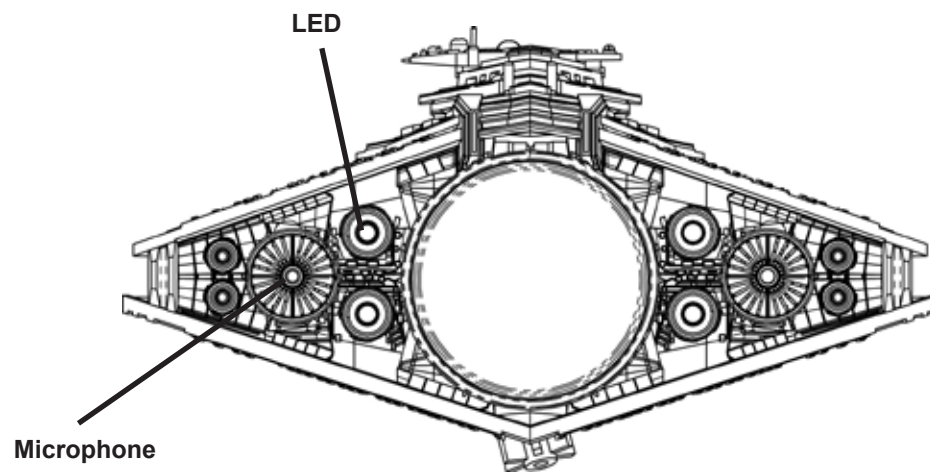


Aux-in Mode

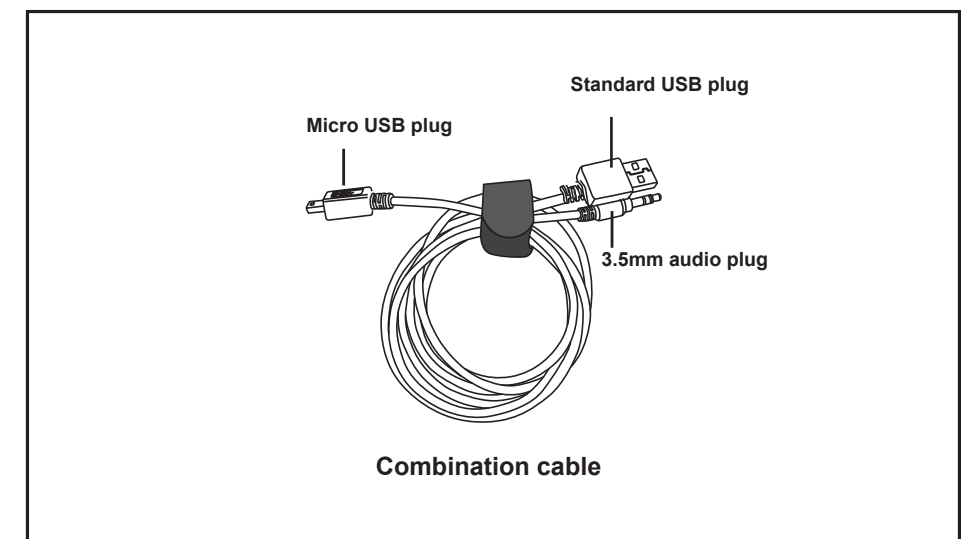
Top View



Side View



Note: The unit is equipped with a Try Me feature. Before using the unit, pull out the plastic Demo Tab located on the bottom panel and discard.



Charging the Li-B33 CHARGE BEFORE USE

