

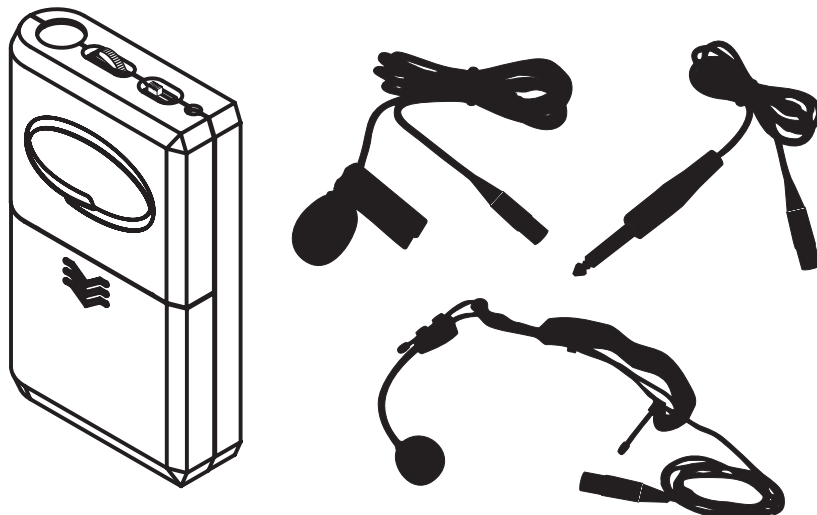
# **SEKAKU**

*AW-8P*

---

---

## **WIRELESS MICROPHONE SYSTEM INSTRUCTION MANUAL**

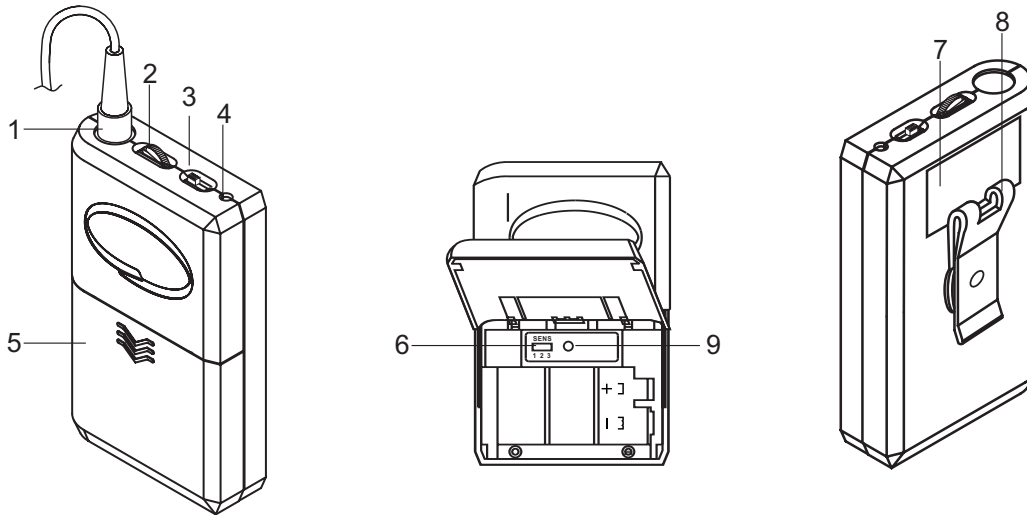


**FEATURE:**

**SMALL POKKBODY TYPE LIKE A POCKET SIZE.  
IT IS VERY EASY CARRYING, ANTENNA BUILT-INSIDE.**

- 1. SOCKET
- 2. VOLUME CONTROL
- 3. POWER SWITCH
- 4. LED INDICATOR

- 5. BATTERY COVER
- 6. MIC SENSITIVITY SWITCHING
- 7. LABEL
- 8. BELT CLIP
- 9. CHANNEL SWITCH



1

**INTRODUCTION**

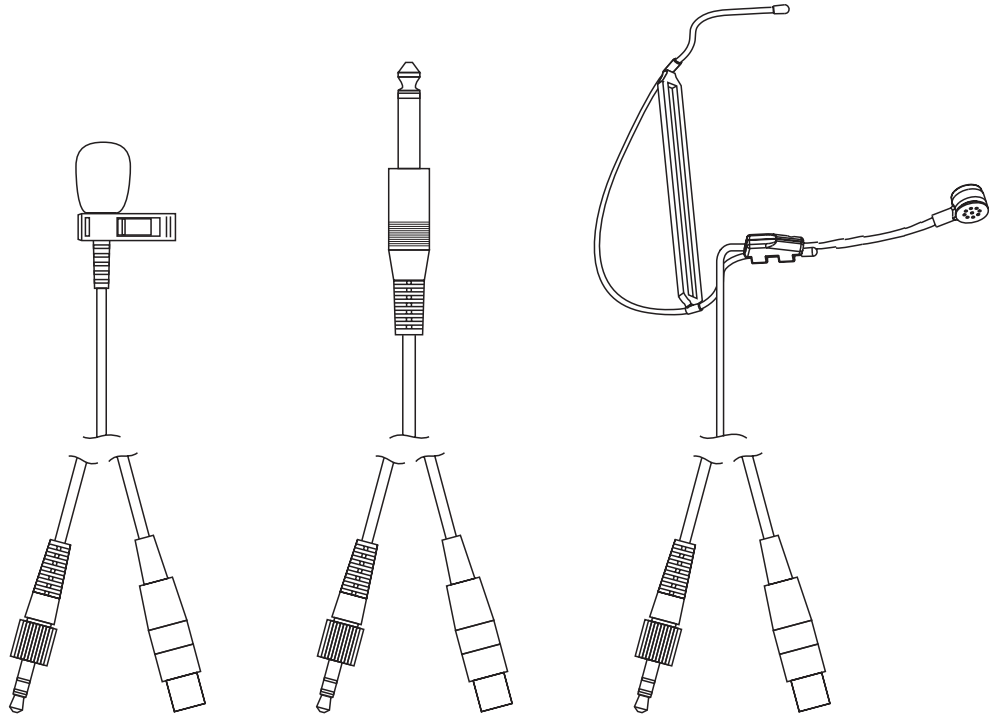
WE CONGRATULATE YOU FOR THE CHOICE OF THIS EXCELLENT PROFESSIONAL APPARATUS MICROPHONE WHICH WILL GIVE YOU OUTSTANDING RESULTS AT THE HIGH FIDELITY. THE MICROPHONE SUIT FOR SCHOOL SPEECH, MEETING SPEECH, TEACHERS AND PERFORMER ON THE STAGE. TO AVOID OF PROBLEM LIKE WIRELESS MICROPHONE. THE BODY PACK MICROPHONE CONNECTION IN EVERY WORKING CONDITION.

**CAUTION**

- 1. BATTERY USE DC9V
- 2. DO NOT DROP THE MICROPHONE BODY ON THE FLOOR.
- 3. PROTECT THE UNITS AGAINST HUMIDITY AND HEAT.
- 4. IF THE UNITS ARE TO BE PUT OUT OF OPERATION DEFINITELY, BRING THEM TO TECHNICAL ENGINEER FOR DISPOSAL.

6

**DIAGRAM:**



LM-10/4B

LS-16/4B

HM-26/4B

**5**

**OTHER FEATURES:**

1. SOCKET
  - 3.5 $\Phi$  JACK
  - 4P mini XLR PLUG
2. VOLUME CONTROL
  - $\zeta$  Large
  - $\varsigma$  Small
3. POWER SWITCH
  - ON
  - STAND BY
  - OFF
4. LED INDICATOR
  - BATTER LOW
  - CHANGING BATTER WHEN LIGHT-ON
5. BATTERY COVER
6. MIC SENSITIVITY SWITCHING
  - FOR ELECTRICAL INSTRUMENT
  - FOR DYNAMIC MICROPHONE
  - FOR CONDENSER MICROPHONE
7. LABEL
8. BELT CLIP
  - 2 WAYS FOR HANGING
    - VERTICAL
    - CROSSWISE

**2**

**SPECIFICATIONS :**

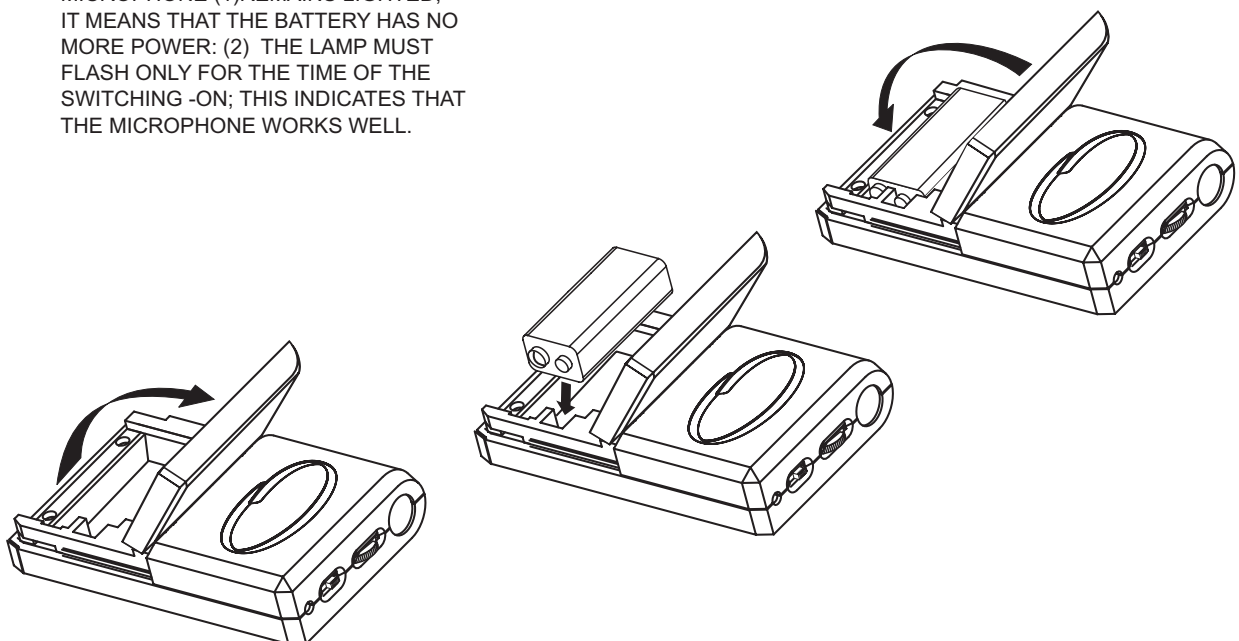
Modulation mode	FM(F3E)
Frequency band	UHF 790~865MHz
RF output power	5mW
Current drain	35mA
Battery life (alkali)	More than 6 hours
Battery	9V Alkaline Battery
Tone frequency	32.768KHz
Frequency response	50Hz~15KHz
Frequency stability	$\pm 0.005\%/25^{\circ}\text{C}$
Rated deviation	$\pm 40\text{KHz}(\text{MAX})$
Spurious emissions	45dBc
Dimensions	106(L) $\times$ 23(W) $\times$ 66(H)mm (4.2L $\times$ 0.9W $\times$ 2.6H in )
Net weight	80g (0.177 bs)

**3**

**INSTRUCTION**

1. AFTER OPERATION THE MICROPHONE MUST BE SWITCHED OFF AS WELL. OTHERWISE THE BATTERIES WILL SOON BE EXHAUSTED. IN ORDER TO AVOID UNTUNEFUL CONSUMPTION OF THE INNER BATTERY: IF PILOT LAMP OF THE WIRELESS MICROPHONE (1) REMAINS LIGHTED, IT MEANS THAT THE BATTERY HAS NO MORE POWER: (2) THE LAMP MUST FLASH ONLY FOR THE TIME OF THE SWITCHING -ON; THIS INDICATES THAT THE MICROPHONE WORKS WELL.

2. INSTALL BATTERY: PLS. MAKE SURE THE POSITIVE/NEGATIVE BEFORE YOU REPLACEMENT BATTERIES.



**4**