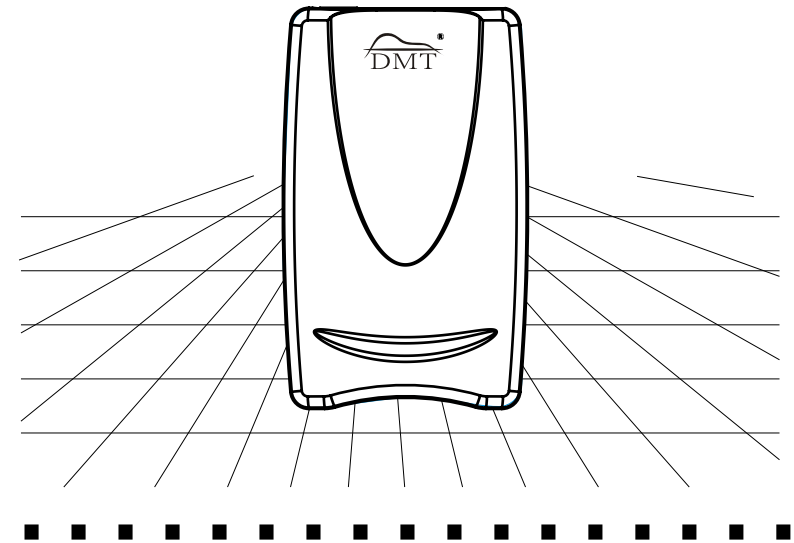


WIRELESS MICROPHONE SYSTEM

INSTRUCTION MANUAL



DMT-300LV



SEIKAKU TECHNICAL GROUP LIMITED

UNIT 1107 BLK.A2,YAU TONG INDUSTRIAL CITY .NO.17,KO FAI ROAD,KOWLOON,HONG KONG.

<http://www.dmtmic.com> Tel: 886-4-22313737

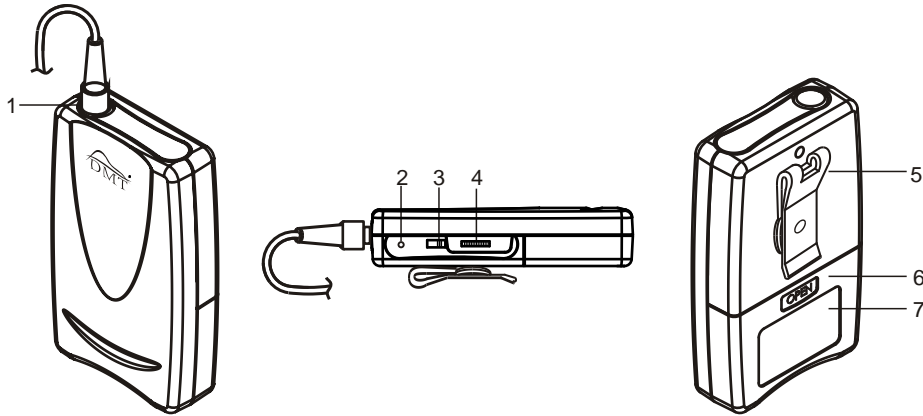
email: alto@altoproaudio.com Fax: 886-4-22346757

All rights reserved to DMT. All features and content might be changed without prior notice. Any photocopy, translation, or reproduction of part of this manual without written permission is forbidden.

Copyright © 2004 SEKAKU ELECTRON INDUSTRY (H.K.) CO., LTD.

FEATURE:

- 1. SOCKET
- 2. LED INDICATOR
- 3. POWER SWITCH
- 4. VOLUME CONTROL
- 5. BELT CLIP
- 6. BATTERY COVER
- 7. LABEL



OTHER FEATURES:

- 1. SOCKET
 - 3.5 Φ JACK
- 2. LED INDICATOR
 - BATTER LOW
 - CHANGING BATTER WHEN LIGHT-ON
- 3. POWER SWITCH
 - ON
 - STAND BY
 - OFF
- 4. VOLUME CONTROL
 - C Large
 - C Small
- 5. BELT CLIP
 - 2 WAYS FOR HANGING
 - VERTICAL
 - CROSSWISE
- 6. BATTERY COVER
- 7. LABEL

INSTRUTION:

1. After operation the microphone must be switched off as well. Otherwise the batteries will soon be exhausted. In order to avoid untune consumption of the inner battery: if pilot lamp of the wireless microphone (1) remains lighted, it means that the battery has no more power: (2) the lamp must flash only for the time of the switching -on; this indicates that the microphone works well. When switches the power switch to "on" position, then the power indicator lights, indicate the apparatus is on. When switches the power switch to "off" position, then the power indicator lights, indicate the apparatus is off.
2. INSTALL BATTERY:
 - PLS. make sure the positive/negative before you replacement batteries.
3. We congratulate you for the choice of this excellent professional apparatus microphone which will give you outstanding results at the high fidelity. The microphone suit for school speech, meeting speech, teachers and performer on the stage.

SPECIFICATION

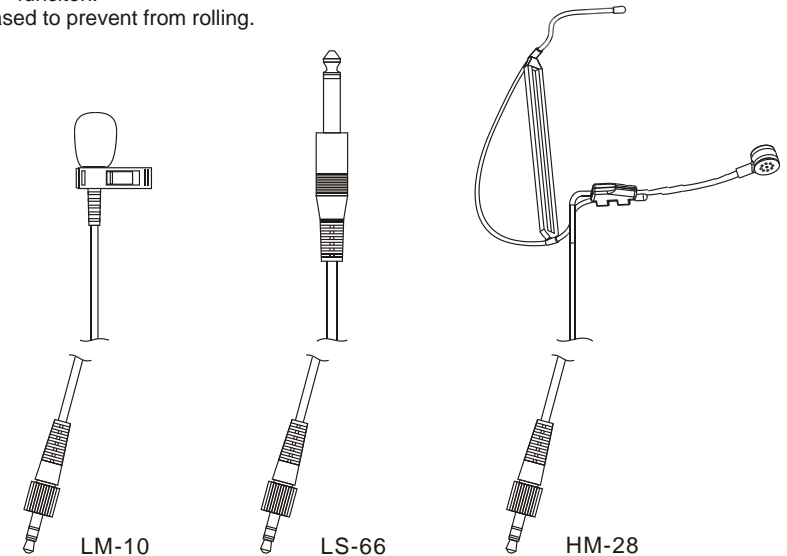
TRANSMITTER PERFORMANCE SPECIFICATION:

NO.	ELECTRIC PARAMETER	SPECIFICATION
1	Carrier Frequency Range	VHF Band 174~216MHz
2	Oscillation Mode	Quartz controlled fixed frequency
3	Modulation Mode	FM(F3E)
4	Frequency Stability	±0.005%/25°C
5	RF Radiation	10mW
6	Spurious Emission	45dBm ↓
7	Total Harmonic Distortion	< 1.0%
8	Frequency Response	50Hz-15KHz ±3dBm
9	Current	< 75mA
10	Power Supply	DC 3V
11	Operating Temperature	-10°C~50°C
12	Dimensions	108 (L) mmx66 (W) mm
13	Weight	80 grams (7.3oz.)

FEATURES:

- "STAND-BY" function.
- Steel net based to prevent from rolling.

DIAGRAM:



CAUTION:

1. BATTERY USE DC3V.
2. AVOID OF THROWING DOWN.
3. PROTECT THE UNITS AGAINST HUMIDITY AND HEAT.
4. IF THE UNITS ARE TO BE PUT OUT OF OPERATION DEFINITELY, BRING THEM TO TECHNICAL ENGINEER FOR DISPOSAL.