

EXHIBIT C

User Manual

CONTENTS

CHARACTER	1
SPECIFICATIONS	1
NAMES OF PARTS	2
INSTALLATION	3
POWER SUPPLY CONNECTION	4
INDICATOR AND SQUELCH CONTROL	5
NOTE	6

Thank you for your kind using our wireless microphone with receiver. Before using the machine please read the instruction manual very carefully. According to our instruction manual for ensure you using of the best function and performance. If any defect please contact with our agent or dealer. It is our pleasure to serve you.

Thank you for your cooperation

3. Power Supply Connection

Use DC power supply or battery with adaptor supply or batter of 12-18V DC. Connection DC supply, DC plug connection with "DC-IN" socket. (See FIG.3) another plug terminal connection with battery or power supply.

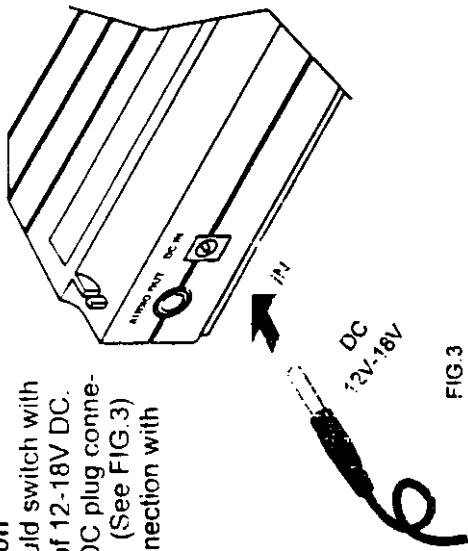


FIG.3

4. Power Switch / Volume Control
 Rotate this knob control power ON / OFF and increase or decrease the volume of the receiver output. This control does not affect the AUDIO PEAK indicator.

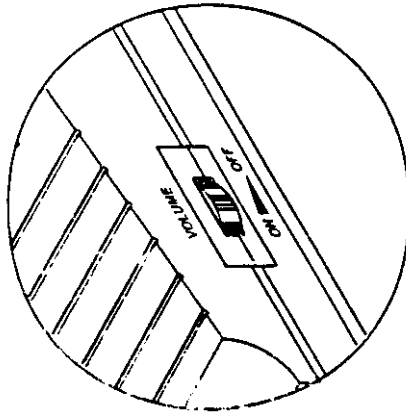


FIG.4

5. Indicator.

- a. **Power ON Indicator:**
 This red light glows when the DC supply and power Switch ON. It indicates that the receiver is on.
- b. **Reception Indicator:**
 This indicator does light during standby. When microphone signal is received, The green indicator light to indicate the reception of microphone.
- c. **Audio peak Indicator:** This red light flickers when the audio signal from the microphone approaches the overload clipping level. It is affected by the transmitter gain control setting and the loudness of your voice.

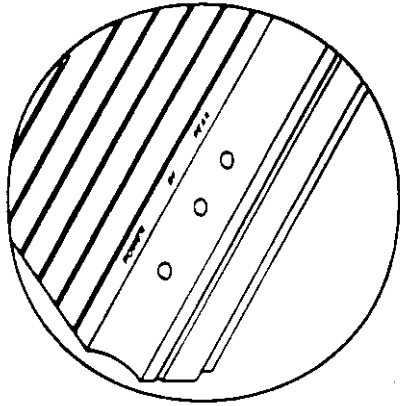
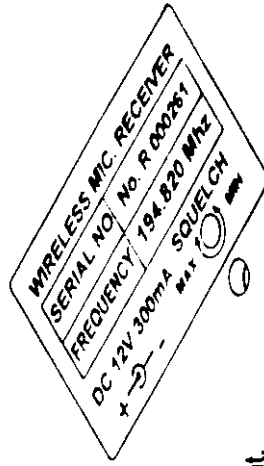


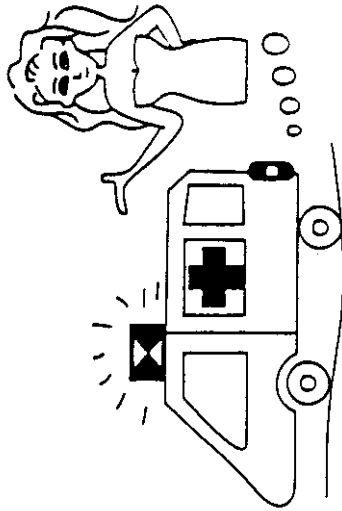
FIG.5

6. Squelch Control

This control is factory present, SQ noisy controlled adjustment. Before you turn-on the transmitter, Please turn-on the receiver at first. The receiver already have been jamming by outside signal. Please adjust SQ control until the jamming signal has disappeared. (clock-wise) (SO JUST)

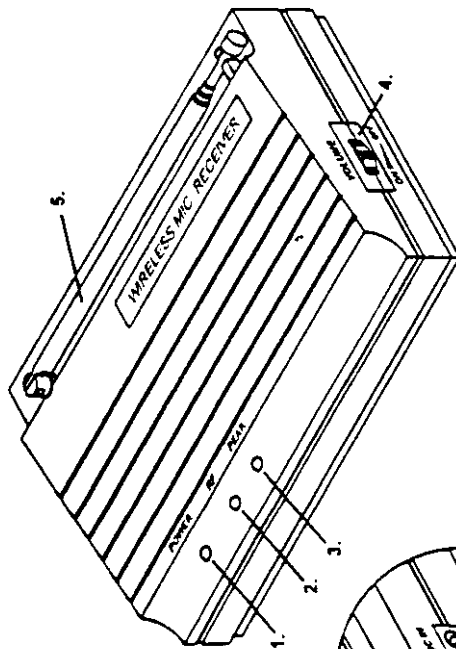


NOTE



IF YOU ARE NOT TECHNICAL
ENGINEER PLS. DO NOT
MODIFIED OR KNOCK - DOWN
IT.

NAMES OF PARTS



1. Power ON Indicator
2. Microphone ON Indicator.
3. Audio Peak Indicator.
4. Power Switch / Volume Control.
5. Telescopic Antenna.
6. Audio Output Connector.
7. Power Input Connect.