



THE UNIVERSE OF INSTALLATION

SBT PLAYER

User's Manual

STEREO BLUETOOTH PLAYER

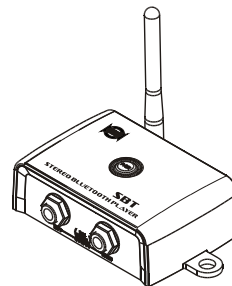


*SHOW® is a registered trademark of
SEIKAKU TECHNICAL GROUP LIMITED*

SEIKAKU TECHNICAL GROUP LIMITED

NO.1 LANE 17, SEC.2, HAN SHI WEST ROAD, TAICHUNG 40151, TAIWAN

tel: 886-4-22313737 - fax: 886-4-22346757



Safety Related Symbols



This symbol, wherever used, alerts you to the presence of un-insulated and dangerous voltages within the product enclosure. These voltages that may be sufficient to constitute the risk of electric shock or death.

This symbol, wherever used, alerts you to important operating and maintenance instructions.



Please read,

Protective Ground Terminal

AC mains (Alternating Current)

AC mains (Alternating Current)

ON: Denotes the product is turned on.

OFF: Denotes the product is turned off.

WARNING

Describes precautions that should be observed to prevent the possibility of death or injury to the user.

CAUTION

Describes precautions that should be observed to prevent damage to the product.

Disposing of this product should not be placed in municipal waste but rather in a separate collection.

WARNING

Power Supply

Ensure that them a insource voltage (AC outlet) matches the voltage rating of the product. Failure to do so could result in damage to the product and possibly the user. Unplug the product before electrical storms occur and when unused for long periods of time to reduce the risk of electric shock or fire.

External Connection

Always use proper ready-made insulated mains cabling (power cord). Failure to do so could result in shock/death or fire. If in doubt, seek advice from a registered electrician.

Do Not Remove Any Covers

Within the product are areas where high voltages may present. To reduce the risk of electric shock do not remove any covers unless the AC mains power cord is removed. Covers should be removed by qualified service personnel only.

No user serviceable parts inside.

Fuse

To prevent fire and damage to the product, use only the recommended fuse type as indicated in this manual. Do not short-circuit the fuse holder. Before replacing the fuse, make sure that the product is OFF and disconnected from the AC outlet.

Protective Ground

Before turning the unit ON, make sure that it is connected to Ground. This is to prevent the risk of electric shock.

Never cut internal or external Ground wires. Like wise, never remove Ground wiring from the Protective Ground Terminal.

Operating Conditions

Always install in accordance with the manufacturer's instructions.

To avoid the risk of electric shock and damage, do not subject this product to any liquid/rain or moisture, and do not use this product when in close proximity to water.

Do not install this product near any direct heat source. Do not block areas of ventilation. Failure to do so

could result in fire. Keep product away from naked flames.

IMPORTANT SAFETY INSTRUCTIONS

Read these instructions
Follow all instructions
Keep these instructions. Do not discard,
Heed all warnings,
Only use attachments / accessories specified by the manufacturer.

Power Cord and Plug

Do not tamper with the power cord or plug. These are designed for your safety.
Do not remove Ground connections!
If the plug does not fit your AC outlet let seek advice from a qualified electrician.
Protect the power cord and plug from any physical stress to avoid risk of electric shock.
Do not place heavy objects on the power cord. This could cause electric shock or fire.

Cleaning

When required, either blow off dust from the product or use a dry cloth.
Do not use any solvents such as Benzol or Alcohol.
For safety, keep product clean and free from dust.

Servicing

Refer all servicing to qualified service personnel only. Do not perform any servicing other than those instructions contained within the User's Manual.

Note: This equipment has been tested and found to comply with the limits for a Class B digital device, pursuant to Part 15 of the FCC Rules. These limits are designed to provide reasonable protection against harmful interference in a residential installation. This equipment generates, uses and can radiate radio frequency energy and if not installed and used in accordance with the instructions, may cause harmful interference to radio communications.

However, there is no guarantee that interference will not occur in a particular installation. If this equipment does cause harmful interference to radio or television reception, which can be determined by turning the equipment off and on, the user is encouraged to try to correct the interference by one or more of the following measures:

Reorient or relocate the receiving antenna. Increase the separation between the equipment and receiver.

Connect the equipment into an outlet on a circuit different from that to which the receiver is connected.

Consult the dealer or an experienced radio/TV technician for help.

Warning: Changes or modifications to this unit not expressly approved by the part responsible for compliance could void the user's authority to operate the equipment.

FCC Radiation Exposure Statement

This equipment complied with FCC radiation exposure limits set forth for an uncontrolled environment.

PORTABLE CART WARNING



Carts and stands - The component should be used only with a cart or stand that is recommended by the manufacturer. A component and cart combination should be moved with care. Quick stops, excessive force, and uneven surfaces may cause the component and cart combination to overturn.

Guarantee

SHOW guarantees the normal operation of the product against any defect of manufacture and/or vice of material, by the term of (12) months, counted as of the date of purchase on the part of the user, committing itself to repair or to change, to its election, without position some, any piece or component that will fail in normal conditions of use within the mentioned period.

This guarantee is valid if the original buyer will have to present/display this certificate properly sealed and signed by the selling house, accompanied by the corresponding invoice of purchase where it consisted the model and serial number of the acquired equipment.

The guarantee does not cover:

- Damages caused by the illegal use of the product, repair and/or nonauthorized modification conducted by people by **SHOW**.
- Damages caused by the connection of the equipment to other equipment different from the specified ones in the manual of use, or by bad connection to these last ones.
- Damages caused by electrical storms, blows and/or incorrect transport.
- Damages caused by excesses or falls of tension in the network or by connection to networks with a tension different from the required one by the unit.
- Damages caused by the presence of sand, acid of batteries, water, or any strange element inside the equipment.
- Deteriorations produced by the course of the time, use and/or normal wear of the unit.
- Alteration or absence of the serial number of factory of the equipment.

The repairs could only be carried out the authorized technical service by **SHOW**, that will inform about the term and other details into the repairs to take place according to this guarantee.

SHOW will repair this unit in counted a term nongreater to 30 days as of the date of entrance of the unit to the Technical Service. In those cases in that due to the particularity of the spare part, outside necessary their import, the repair time and the viability of the same one will be subject to the effective norms for the import of parts, in which case one will require to the user about the term and possibility into repair.

With the object of its correct operation, and of the validity of this one guarantee, this product will have to be installed and to be used according to the instructions that are detailed in the manual associate or the package of the product.

This unit will be able to appear for its repair, next to the invoice of purchase (or any other proof where the date of purchase consists), to its authorized distributor show or an authorized technical center on watch by **SHOW**.

Exclusion of damages:

THE RESPONSABILITY OF SHOW BY ANY DEFECTIVE PRODUCT IS LIMITED TO THE REPAIR OR THE REPLACEMENT. IF WE CHOSE TO REPLACE THE PRODUCT, THE REPLACEMENT CAN BE A RECONDITIONATED UNIT. SHOW WILL NOT BE RESPONSIBLE BY THE DAMAGES BASED ON THE LOST, INCONVENIENCE, LOSS OF USE, BENEFITS, LOST SAVINGS, BY THE DAMAGE TO OTHER EQUIPMENT OR OTHER ARTICLES IN THE USE SITE, OR BY ANY OTHER DAMAGE IF HE IS FORTUITOUS, CONSEQUENT OR OF ANOTHER TYPE, ALTHOUGH SHOW HAS BEEN NOTICED OF THE POSSIBILITY OF SUCH DAMAGES.

Some states do not allow to the exclusion or the limitation to the fortuitous or consequent damages, so the aforesaid limitation can not be applied to you.

This guarantee gives specific legal rights, you can also have other right that varies of state to state.

4 Control Elements

3-AC input

This connection is where you connect the supplied external AC power supply.

4 - Antenna for transmitter

Send the signal by antenna. To receive the signal better, please make sure the antenna was not sheltered.

5- Audio output connector

Connector for output signal.

5 Technical Specifications

Modelo	BT-STR
Bluetooth Version	Bluetooth V2.1+EDR
Bluetooth protocol	AVCTP 1.0,AVRCP 1.0,GAVDP 1.2, AVDTP 1.0,A2DP 1.2, Hands-Free Profile 1.5,Headset Profile v1.1
Max Transmit Power	Class2
Receive Sensitivity	-80dBm@0.1%BER
Frequency	2.4GHz-2.480GHz
Audio performance	High acoustic fidelity sound
SNR	≥ 75dB
THD.	≤ 0.01%
Power Supply	AC 9V ADAPTOR

Table of Content

1. INTRODUCTION _____	4
2. FEATURES _____	4
3. USEFUL DATA _____	4
4. CONTROL ELEMENTS _____	5
5. TECHNICAL SPECIFICATIONS _____	6
6. GUARANTEE _____	7

Don't forget to visit our website at sekaku@sekaku.com for more information about this and other SHOW products.

1 Introduction

Thank you for purchasing the **SHOW SBT PLAYER** stereo bluetooth player. **SBT PLAYER** features super mini size but equipped with powerful functions.

Please carefully read this manual before installation and operation.

2 Features

- Bluetooth V2.1+EDR.
- With LED
- External antenna can help to increase the transmit distance.
- More than 20 meters transmit distance in open place.

3 Useful Data

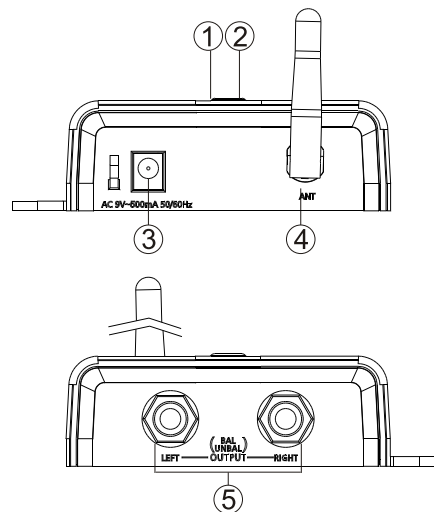
Please write your serial number here for future reference.

Serial Number:

Date of Purchase:

Purchased at:

Control Elements



1. PAIR

Press this key and hold for 2-3 seconds, the player will change to matching state. In this state, LED alternately flash quickly, and you can use your mobile phone, tablet or PC Bluetooth adapter to find devices, BT-2.1. If your device's Bluetooth version lower than 2.0, you should enter the password '0000'. If your device's Bluetooth version higher than 2.0, you do not need to enter a password

2. STATUS INDICATOR:

- 1). For the first time that module power on, it is on stand by state, and the LED flashes twice about 2 seconds once
- 2). Matching state, LED's alternately flash quickly;
- 3). After connected the device, the right LED lighted on constantly