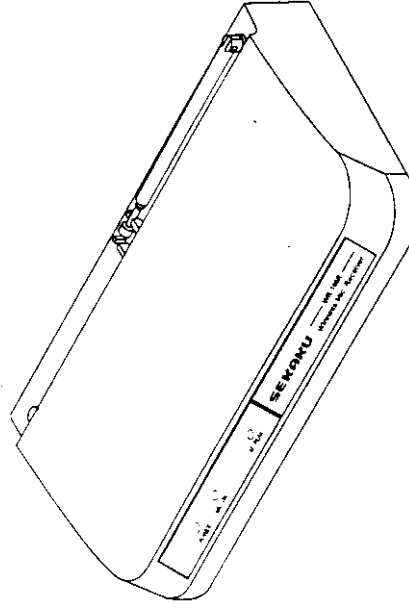


EXHIBIT C

User Manual

WIRELESS SYSTEM

INSTRUCTION
MANUAL



CONTENTS

| | |
|--------------------------------------|---|
| CHARACTER | 1 |
| SPECIFICATIONS | 2 |
| NAMES OF PARTS | 3 |
| INSTALLATION | 4 |
| INSTALL ANTENNA AND VOLUME AD JUSTOR | 5 |
| AUDIO OUTPUT AND. BALANCE. OUTPUT | 6 |
| SGUELCH. CONTROL | 7 |
| NOTE | 8 |

Thank you for your kind using our wireless microphone with receiver. Before using the machine please read the instruction manual very carefully. According to our instruction manual for ensure you using of the best function and performance. If any defect please contact with our agent or dealer. It is our pleasure to serve you.
 Thank you for your cooperation

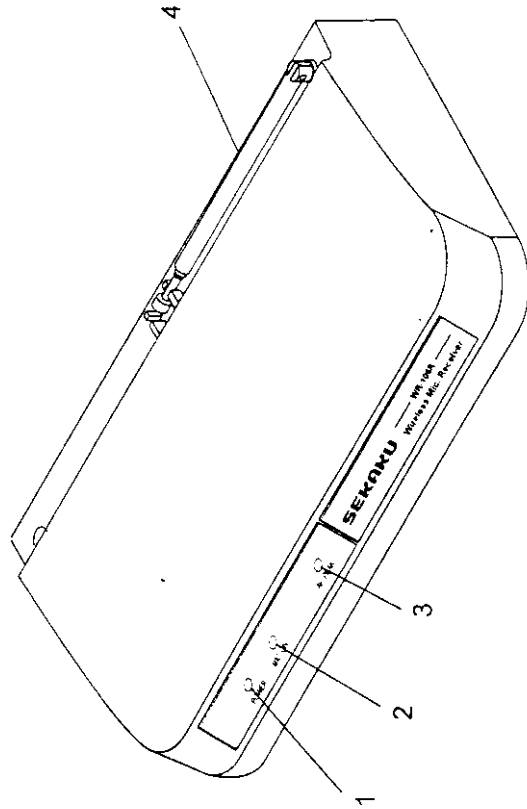
Character :

- VHF High band Single-channel wireles systems.
- Frequency by quartz locked controlled.
- Compact, lightweight, single-channel receiver.
- Include LED indicator (Power , RF ON , AF Peak) and telescopic antenna.
- Comander circuit for expending dynamic range.
- Special circuit design to delete microphone switch ON/OFF noise.
- Audio output connect with XLR balanced and mono phone jack unbalanced.

Specifications :

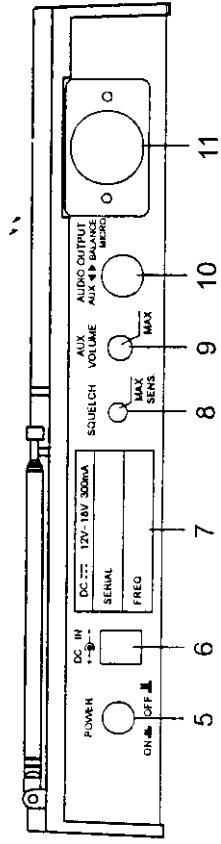
| | |
|---------------------|---|
| Reception mode | Non-diversity model |
| Frequency band | VHF Hi-Band 174-223MHz |
| Frequency stability | ± 0.005% /25° C |
| Modulation mode | FM (F3E) |
| Max. deviation | ±40KHz, with limiting compressor |
| T.H.D. | <0.8% |
| Dynamic | >100dB |
| S/N Ratio | >80dB |
| Frequency response | 50Hz-15KHz |
| Receiving mode | Quartz control fixed frequency |
| RF sensitivity | 3uv for 20dB SINAD |
| Squelch | Noise control (External control) |
| Output connector | XLR Balanced 6.3mm (1/4") mono phonejack unbalanced. |
| Power supply | DC 12V ~ 18V 300mA With AC/DC adaptor |
| Dimensions | 202 X 114 X 40(H) mm |
| Net Weight | Approx. 510g |

_____ NAME OF PARTS _____



1. Power ON Indicator.
2. Mic. ON Indicator.
3. Audio Peak Indicator.
4. Telescopic Antenna.

_____ NAME OF PARTS _____



5. Power Switch.
6. DC. Jacket.
7. Frequency label.
8. Squelch Control.
9. Volume. Control.
10. Audio output Connector.
11. Balance Socket.

1. Power Switch

Mark sure the correct voltage. push this power switch once to turn on; if unit still fails to operate, Secure a qualified technician or contact us for a Return Authorization prior to Shipment. Disconnect power supply before removing receiver cover.

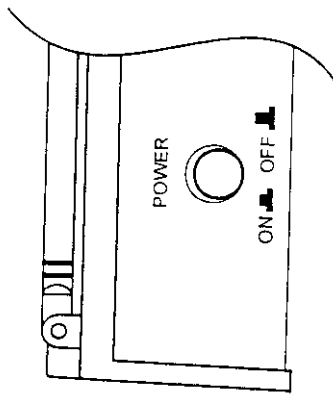


FIG.1

Power Supply Connection

Use DC power supply could switch with adaptor supply or batter of 12-18V DC.

Connection DC supply, DC plug connection with "DC-IN" socket. (see FIG2) another plug terminal connection with battery or power supply.

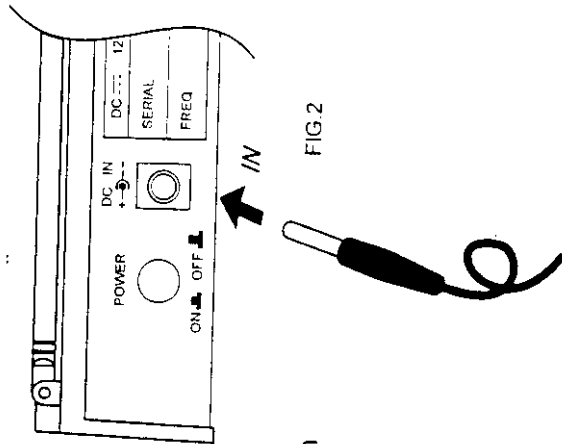


FIG.2

3. Install Antenna.

Receivers signals from the transmitter. Make sure the antenna is fully extended vertically.

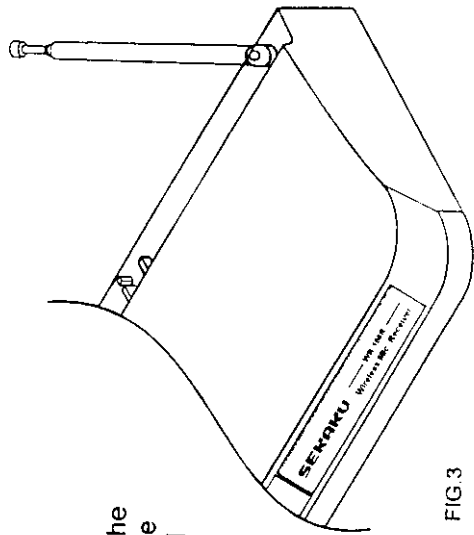


FIG.3

4. Volume Adjustor

The purpose of this control is to give the ability to provide an audio output level from the wireless system that is similar to that of a wired microphone.

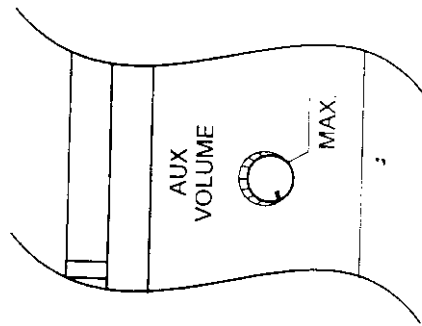


FIG.4

5. Audio Output Connector

You can connect an unbalanced audio cable with a 1/4 inch phone plug between this connector and your mixer or amplifier input.

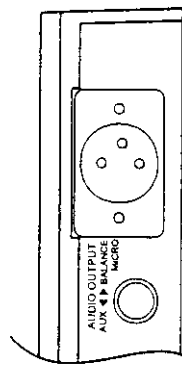


FIG.5

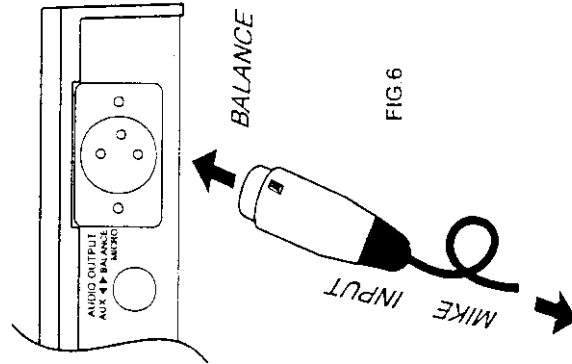


FIG.6

Balance output XLR or CANNON Connection

Cable insert to balance socket output connecting with mixer or amplifier MIKE IN.

7. Indicator

- a. Power ON Indicator:** This red light glows when the DC supply and power Switch ON. It indicates that the receiver is on.
- b. Reception Indicator:** This indicator does light during standby. When microphone signal is received, the green indicator light to indicate the reception of microphone.
- c. Audio peak Indicator:** This red light flickers when the audio signal from the microphone approaches the overload clipping level. It is affected by the transmitter gain control setting and the loudness of your voice.

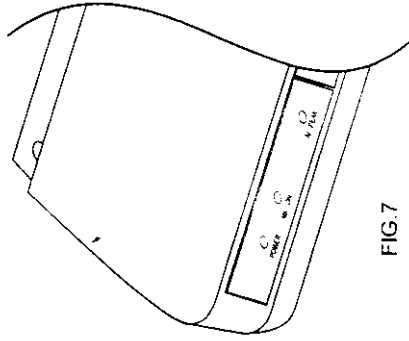


FIG.7

8. Squelch Control

This control is factory present, SQ noisy controlled adjustment, Before you turn-on the receiver, at first. The receiver already have been jamming by outside signal. Please adjust SQ control until the jamming signal has disappeared. (clock-wise)

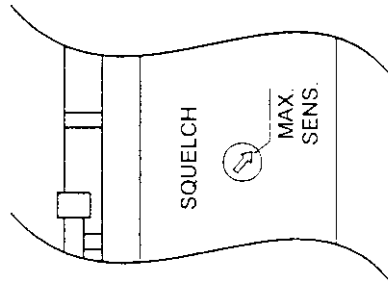
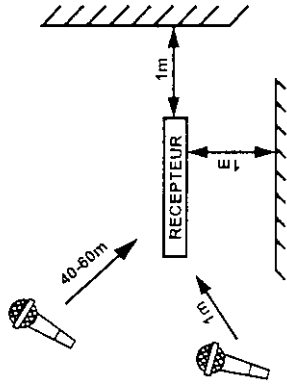
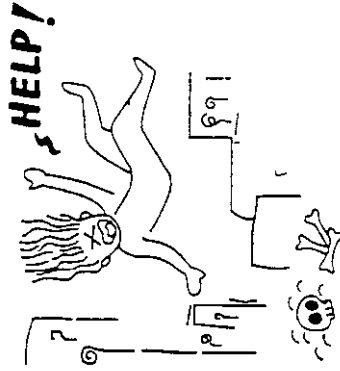


FIG.8

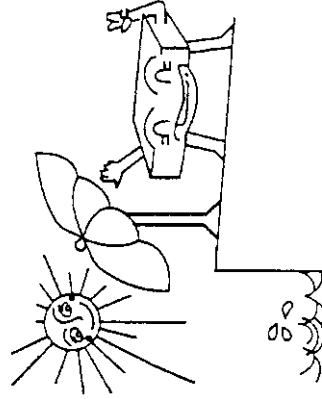
RECEPTEUR :



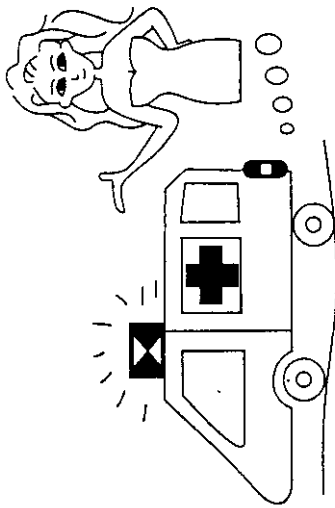
THE WIRELESS RECEIVER LOCATED AT GOOD CONDITION PLACE.



BE CAREFUL, DON'T DROP OFF THE MICROPHONE TO FLOOR



KEEP AWAY RAINING OR SUN SHINE.



IF YOU ARE NOT TECHNICAL ENGINEER PLS. DO NOT MODIFIED OR KNOCK - DOWN IT.