

1. GETTING STARTED: BUILT-IN BLUETOOTH SYSTEM

Product name : Momentum_INC

1.1 Powering On and Off

Press and hold the **Center Button** and the **(+) Button** at the same time for **1 second** to turn the headset on or off.

1.2 Charging

The **Bluetooth Communication Module** can be charged using many common methods via the supplied USB power & data cable:

1. Plugged into a computer's USB port.
2. With a USB-equipped AC adapter via a wall-outlet charger.

Note: Please make sure to take off your helmet while charging. The headset automatically turns off during charging.

Depending upon the charging method, the Bluetooth Module will be fully charged in about 2.5 hours.

1.3 Checking the Bluetooth Module's Battery Level

There are two ways to check battery level:

1. Visually, with LEDs when powering on.

Note: Blinking LEDs alternate from blue to red when battery power is low.

2. Audible method: Press and hold the **Center Button** and the **(+) Button** for **3 more seconds** as the headset powers on. A prompt will announce the remaining battery level.

1.4 Volume Adjustment

You can raise or lower the volume by tapping the **(+) Button** or the **(-) Button**. Volume is set and maintained independently at different levels for each audio source (i.e., phone, intercom), even when the headset is rebooted.

1.5 Intelligent Noise Control

Sena **Intelligent Noise Control (INC)** technology reduces constant low-frequency sound such as wind noise and properly amplifies high-frequency sounds such as close-up conversations, car horns and emergency sirens.



1. Start INC by pressing and holding **INC Button for 1sec** (right side of the helmet)
2. Stop INC by pressing and holding **INC Button for 1sec**

1.6 Ambient Mode

You can hear the surrounding sound outside of the helmet by this mode.

1. Start the Ambient Mode by pressing and holding **Ambient Mode Button for 1 sec.**
2. Stop the Ambient Mode by pressing and holding **Ambient Mode Button for 1 sec.**

Downloadable Sena Software

1.5.1 Sena Device Manager

The **Sena Device Manager** allows you to upgrade the **Bluetooth Communication Module's** firmware and configure its settings directly from your PC or Apple computer. Using this software, you can assign speed dial presets, FM radio station presets and more. For more information on downloading the **Sena Device Manager**, please visit sena.com.

1.5.2 Sena Smartphone App

The **Sena Smartphone App** allows you to configure the **Bluetooth Communication Module's** settings, as well as access the User's and Quick Start Guides. To do so, pair your mobile phone with your **Momentum Bluetooth Helmet** (please refer to **Section 3: "Pairing the Helmet with other Bluetooth Devices"** for more details). Run the **Sena Smartphone App** and configure the settings directly from your smartphone. You can download the **Sena Smartphone App** for Android and Apple operating systems.

1.6 Configuration Menu

The **Bluetooth Communication Module** can be configured by following a series of voice prompts. Further details

about each of these settings will be explained on the following pages.

1. To access the **Configuration Menu**, press and hold the **Center Button** for **10 seconds** until you hear the voice prompt, "**Configuration menu**."
2. Tap the **(+) Button** or the **(-) Button** to navigate between the menus. You will hear voice prompts for each menu item.
3. You can enable/disable the feature or execute the command by tapping the **Center Button**.

2. PAIRING THE HELMET WITH OTHER BLUETOOTH DEVICES

Before using Momentum Bluetooth system with other Bluetooth devices for the first time, they'll need to be "paired." This enables them to recognize and communicate with one another whenever they're within range.

The helmet's Bluetooth Module can pair with multiple Bluetooth devices such as a mobile phone, GPS, MP3 player or Sena SR10 Two-Way Radio Adapter via **Mobile Phone Pairing** and **Second Mobile Phone Pairing**. The Bluetooth Helmet module can also be paired with up to three other Sena headsets.

2.1 Mobile Phone

1. Execute **Phone Pairing** in the **Configuration Menu**.
2. With your mobile phone in Bluetooth-pairing mode, select Sena Momentum in the list of devices detected.
3. If your mobile phone asks for a PIN, enter 0000.

2.2 Additional Mobile Phones, GPS, MP3 Player or Sena SR10 Two-Way Radio Adapter

1. Execute **Second Mobile Phone Pairing** in the **Configuration Menu**.
2. With your mobile phone in Bluetooth-pairing mode, select Sena Momentum in the list of devices detected.
3. If your mobile phone asks for a PIN, enter 0000.

2.3 Advanced Selective Pairing: Hands-Free or A2DP Stereo

Phone Pairing allows the Bluetooth Module to establish two Bluetooth profiles: **Hands-Free** or **A2DP Stereo**. **Advanced Selective Pairing** allows the module to separate the profiles to enable connection with two devices.

2.3.1 Phone Selective Pairing – Hands-Free Profile

1. Execute **Phone Selective Pairing** in the **Configuration Menu**.
2. With your hands-free device in Bluetooth-pairing mode, select Sena Momentum in the list of devices detected.
3. If it asks for a PIN, enter 0000.

2.3.2 Media Selective Pairing – A2DP Profile

1. Execute **Media Selective Pairing** in the **Configuration Menu**.
2. With your A2DP device in Bluetooth-pairing mode, select Sena Momentum in the list of devices detected.
3. If it asks for a PIN, enter 0000.

3. MOBILE PHONE USAGE

3.1 Making and Answering Calls

Note: If you have a GPS device connected, you will not hear its voice navigations during a phone call.

3.2 Speed Dialing

3.2.1 Assigning Speed Dial Presets

1. Execute **Speed Dial** in the **Configuration Menu** by holding down the **Center Button** for **10 seconds**, then using the **(+) and (-) Buttons** to scroll through the menu. Please refer to **Section 2.7: "Configuration Menu"** for more details.
2. Tap the **(+) Button** or the **(-) Button** to set up the three available **Speed Dial Presets**. You will hear the voice prompt, "**Speed dial**" followed by the preset number.
3. On your mobile phone, call the number to which you want to assign a **Speed Dial Preset**. The call will be terminated immediately. Then, you will hear the voice prompt, "**Save speed dial (#)**." This confirms that the number was saved.
4. Use this procedure to save other **Speed Dial Presets**.
5. To exit the menu, tap the **(+) Button** or the **(-) Button** until you hear the voice prompt, "**Cancel**," then tap the **Center Button** to confirm.

3.2.2 Using Speed Dial Presets

1. Press and hold the **(+) Button** for **3 seconds** to enter into the **Speed Dial** menu. You will hear the voice prompt, "**Speed dial**."
2. Tap the **(+) Button** or the **(-) Button** to navigate between the **Speed Dial Presets**.
3. To redial the last number called, tap the **Center Button** when you hear the prompt, "**Last number redial**."
4. To call one of your **Speed Dial Presets**, tap the **Center Button** when you hear the prompt, "**Speed dial (#)**."

4. STEREO MUSIC

4.1 Playing Music with Bluetooth Devices

1. To play or pause music, press and hold the **Center Button** for **1 second** until you hear a double beep.

2. To adjust the volume, tap the **(+) Button** or the **(-) Button**.
3. To track forward or back, press and hold the **(+) Button** or the **(-) Button** for **1 second**.

4.2 Music Sharing

You can share the music you're listening to with an **Intercom Friend** during an intercom conversation. To start or terminate sharing music, press the **Center Button** for **1 second** during an intercom conversation until you hear a double beep. Both you and your **Intercom Friend** can control music playback.

4.3 Audio Boost (Default: Enable)

An **Audio Boost** setting can be found in the **Configuration Menu**. Enabling **Audio Boost** increases the maximum volume limit. Disabling **Audio Boost** reduces the maximum volume limit while delivering more balanced sound.

5. INTERCOM SETUP

5.1 Intercom Pairing

Up to three people can communicate via intercom with the Momentum Bluetooth Helmet simply by pairing their headsets.

1. Press and hold the **Center Buttons** of two Bluetooth Modules for **5 seconds** until you hear the voice prompt, "**Intercom pairing**".
2. Tap the **Center Button** on either Bluetooth Module and wait until the LEDs of both turn blue.
3. Repeat steps 1 and 2 to pair with **Intercom Friends C & D**.

Intercom Friends

Additional paired headsets are set up as **Intercom Friends**. The intercom pairing order is "**Last-Come, First-Served**." To distinguish between multiple headsets paired to the Momentum Bluetooth Helmet for intercom use, Sena designates the headset paired last as **Intercom Friend 1**. The previous intercom set up is designated **Intercom Friend 2**; the headset paired prior to **Intercom Friend 2** becomes **Intercom Friend 3**.

5.2 Two-Way Intercom

You can start or end an intercom conversation with an **Intercom Friend** by tapping the **Center Button**.

1. Tap once for **Intercom Friend 1**.
2. Tap twice for **Intercom Friend 2**.
3. Tap three times for **Intercom Friend 3**.

5.3 Multi-Way Intercom

Multi-Way Intercom enables conference-call-style conversations with up to three **Intercom Friends** at the same

time. While **Multi-Way Intercom** is in progress, mobile phone connection is temporarily disconnected. However, as soon as **Multi-Way Intercom** terminates, the mobile phone connection will be reestablished.

5.3.1 Starting a Three-Way Intercom Conference

You (A) can have a **Three-Way Intercom Conference** with two other **Intercom Friends (B & C)** by establishing two intercom connections simultaneously.

1. Pair your headset (A) with those of two other **Intercom Friends (B & C)**. Please refer to **Section 6.1: "Intercom Pairing"** for pairing instructions.
2. Start an intercom conversation with one of the two friends in your intercom group. For example, **you (A)** may start an intercom conversation with the **Intercom Friend (B)**. Or, **Intercom Friend (B)** may start an intercom call with **you (A)**.
3. Then, **you (A)** can call the second **Intercom Friend (C)**, or the second **Intercom Friend (C)** may join the intercom by making an intercom call to **you (A)**.
4. Now **you (A)** and two **Intercom Friends (B & C)** are having a **Three-Way Intercom Conference**.

5.3.2 Starting a Four-Way Intercom Conference

With three **Intercom Friends** connected, a new participant (**D**) can make it a **Four-Way Intercom Conference** by making an intercom call to either (**B**) or (**C**).

5.3.3 Ending Multi-Way Intercom

1. Press the **Center Button** for **1 second** until you hear a beep to terminate all intercom connections.
2. Tap the **Center Button** to disconnect from your first **Intercom Friend**. Double tap the **Center Button** to disconnect from your second **Intercom Friend**.

5.4 Three-Way Conference Phone Call with Intercom Users

You can have a **Three-Way Conference Phone Call** by adding an **Intercom Friend** to the mobile phone conversation.

1. During a mobile phone call, tap the **Center Button** to invite one of your **Intercom Friends** to the conversation.
2. To disconnect the intercom during a conference phone call, tap the **Center Button**.
3. To disconnect the mobile phone call during a conference phone call, press the **Center Button** for **2 seconds**.

Note: When you have an incoming intercom call during a mobile phone call, you will hear a voice prompt, **"Intercom requested."**

5.5 Group Intercom

Group Intercom allows you to instantly create a **Multi-Way Conference Intercom** with three of the most recently paired headsets.

1. Pair intercoms with up to three people you want in the **Group Intercom**.

2. Tap the **(+) Button** and the **(-) Button** simultaneously to begin **Group Intercom**. The alternating blue and red flashing lights indicates that the device is now in Group Intercom mode and you will hear a voice prompt, "**Group intercom.**"

3. When all of the headsets are connected together, everyone will hear the voice prompt, "**Group intercom connected.**"

4. To terminate **Group Intercom**, press the **Center Button** for **1 second** during **Group Intercom**. You will hear a voice prompt, "**Group intercom terminated.**"

5.6 Universal Intercom

Universal Intercom allows you to have intercom conversations with users of non-Sena Bluetooth headsets. You can pair the Momentum Bluetooth Helmet with only one non-Sena headset at a time. The intercom distance depends on the performance of the Bluetooth headset to which it's connected. When a non-Sena Bluetooth headset is paired with the Bluetooth Helmet, if another Bluetooth device is paired via **Second Mobile Phone Pairing**, it will be disconnected.

1. Execute **Universal Intercom** in the **Configuration Menu**. Please refer to **Section 2.7: "Configuration Menu"** for more details.

2. Put the non-Sena Bluetooth headset in Pairing Mode. The Momentum Bluetooth Helmet will automatically pair with a non-Sena Bluetooth headset.

3. You can have **Two-Way Intercom** or **Multi-Way Intercom** communication with up to three **Intercom Friends** using non-Sena headsets by following the procedures described below.

5.7 Advanced Noise Control™ (Default: Enable)

An **Advanced Noise Control** setting can be found in the **Configuration Menu**. Please refer to **Section 2.7: "Configuration Menu"** for more details.

If **Advanced Noise Control** is enabled, background noise is reduced during intercom conversations.

If **Advanced Noise Control** is disabled, the background noise is mixed with your voice while using the intercom.

6. USING THE FM RADIO

6.1 FM Radio On/Off

To turn on or shut off the FM radio, press the **(-) Button** for **1 second** until you hear a double beep.

6.2 Seek and Save Radio Stations

The **"Seek"** feature searches for radio stations.

1. Double tap the **(+) Button** or the **(-) Button** to search for radio stations.
2. To save the current station, press and hold the **Center Button** for **3 seconds** until you hear the voice prompt, **"Preset (#)."**
3. Tap the **(+) Button** or the **(-) Button** to navigate through the preset numbers that you want to store.
4. Press and hold the **(+) Button** for **1 second** to save the station in the preset number you choose. Or, press and hold the **(-) Button** for **1 second** to delete the station from memory.

6.3 Scan and Save Radio Stations

The **"Scan"** function automatically searches for radio stations, starting with the current station's frequency, then up from there.

1. Press and hold the **(+) Button** for **1 second** to scan for stations.
2. The Sena tuner pauses at each station it finds for **8 seconds** before moving to the next.
3. To save the current station, tap the **Center Button**. The station will be saved as the next preset number.
4. To stop scanning, press the **(+) Button** for **1 second**.

6.4 Temporary Station Preset

The **Temporary Preset** feature automatically finds and saves the nearest 10 radio stations without changing your existing preset stations.

1. Tap the **(+) Button** three times to automatically find and save 10 stations.
2. The temporary preset stations will be cleared when the Bluetooth Module reboots.

6.5 Navigating Preset Stations

Using the methods above, up to 10 radio stations can be stored. Press and hold the **Center Button** for **1 second** to navigate through the saved stations.

Note: You can use the **Sena Device Manager** or the **Sena Smartphone App** to save the preset stations.

6.6 Region Selection (Default: Worldwide)

You can select the proper FM frequency range for your location from the **Sena Device Manager** or the **Sena**

Smartphone App. Using the region setting, you can optimize the seek function to avoid unnecessary frequency ranges.

6.7 Radio Data System (RDS) Alternative Frequency (AF) Setting (Default: Enable)

The **RDS AF** setting can be found in the **Configuration Menu**. Please refer to **Section 2.7: “Configuration Menu”** for more details.

When radio station signals get too weak for good reception, with **RDS AF** enabled, the Sena radio receiver re-tunes to a station with better reception. If **RDS AF** is disabled, you’ll have to find stronger stations manually.

7. GENERAL SETTINGS

7.1 Function Priority

The headset prioritizes connected devices in the following order:

- (highest) Mobile phone
- Intercom
- Music sharing via Bluetooth stereo
- FM radio
- (lowest) Bluetooth stereo music

A lower-priority function gets interrupted by a higher-priority function. For example, stereo music will be interrupted by an **Intercom Conversation**; an **Intercom Conversation** will be interrupted by an incoming mobile phone call.

7.2 Firmware Upgrades

The Momentum Bluetooth Helmet supports firmware upgrades. You can upgrade the firmware using the **Sena Device Manager**. Please refer to **Section 2.6.1: “Sena Device Manager”** for more details. Please visit sena.com to check for the latest software downloads.

7.3 Voice Prompts

A **Voice prompt** setting can be found in the **Configuration Menu**. Please refer to **Section 2.7: “Configuration Menu”** for more details.

If **Voice prompt** is enabled, you can hear **Voice prompts** for different kinds of features. If **Voice prompt** is disabled, **Voice prompts** are silenced except for those in the Configuration Menu, battery level indication, speed dial, and FM radio functions.

7.4 Delete All Bluetooth Pairing Information

A **Delete All Bluetooth Pairing Information** setting can be found in the **Configuration Menu**. Please refer to **Section 2.7: “Configuration Menu”** for more details.

Tap the **Center Button** when in this menu to **Delete All Bluetooth Pairing Information** stored in the headset.

8. REMOTE CONTROL

You can remotely control the Bluetooth Module using Sena Remote Control devices (sold separately) such as a Handlebar Remote or a Wristband Remote. This eliminates the need to remove your hands from the handlebars for button operations.

8.1 Pairing with the Remote Control

1. Turn on the Bluetooth Module and the Remote Control device.
2. Execute **Remote Control Pairing** in the **Configuration Menu**. Please refer to **Section 2.7: "Configuration Menu"** for more details.
3. Enter pairing mode in the Remote Control device. The Bluetooth Module will automatically connect with the Remote Control device in pairing mode. You will hear a voice prompt, "**Remote control connected,**" when they are successfully paired.

9. TROUBLESHOOTING

Please visit sena.com for answers to frequently asked questions. This detailed online FAQ section deals with troubleshooting, illustrates case studies and contains tips on using the **Sena Momentum Bluetooth Helmet**.

9.1 Fault Reset

When the helmet's Bluetooth Module is not working properly, you can easily reset the unit:

1. Locate the pinhole reset button below the **(+) Button**.
2. Gently insert a paper clip into the hole and press and **Fault Reset Button** for **1 second** with light pressure.
3. The communication module will shut down.

Note: Fault Reset will not restore the Bluetooth Module to factory default settings.

9.2 Factory Reset

To erase all of your settings and start fresh, the headset can be restored to factory default settings using the **Factory Reset** feature in the **Configuration Menu**. Please refer to **Section 2.7: "Configuration Menu"** for more details.

10. MAINTENANCE AND CARE

10.1 Outer Shell

Use a soft cloth and a small amount of water to remove bugs from the exterior.

Note: Never use gasoline, diesel fuel, thinners or solvents to clean the helmet. These substances can cause serious damage to the helmet, even though the resulting damage may not be visible. The full safety function of the helmet can then no longer be guaranteed.

10.2 Inner Lining

The inner lining of the **Sena Momentum Bluetooth Helmet** is completely removable. Its headliner can be washed by hand using mild soap at a maximum temperature of 30°C (86°F). Allow the lining to dry at room temperature.

10.3 Storing the Helmet

Store the helmet in a dry, dark, well-ventilated location, out of the reach of children and animals. Always position the helmet so that it cannot fall to the floor. Damage that occurs in this way is not covered by the warranty.

Safety Precautions

Please ensure that the product is properly used by observing the warnings and cautions below to prevent any risk and/or damage to property.

Product Storage and Management

- Keep the product free of dust. It may damage mechanical and electronic parts of the product.
- Do not store the product in high temperatures as this may reduce the life span of electronic devices, damage the battery, and/or melt plastic parts of the product.
- Excessive heat (e.g. exhaust heat) can cause damage to the decoration, the inner shell of the helmet and the interior lining.
- Do not store the product in cold temperatures. Abrupt changes in temperatures may cause condensation and damage electronic circuits.
- Do not clean the product with cleaning solvents, toxic chemicals, or strong detergents as this may damage the product.
- Direct contact with motor fuel, thinners or solvents can destroy the structure of the inner and outer shell. Make sure the helmet does not come into contact with such substances, even for cleaning purposes.
- Do not paint the product. Paint may obstruct moving parts or interfere with the normal operation of the product.
- Do not drop or otherwise shock the product. It may damage the product or its internal electronic circuits.
- Do not disassemble, repair or modify the product as this may damage the product and invalidate the product warranty.
- Do not store the product in humid environments, especially for long time storage.
- The helmet should be replaced after 5 to 7 years, depending on use and care. Although the outer shell is in principle capable of a longer service life, the occurrence of material fatigue and wear to other components, as well as the overall action of the helmet and the unknown conditions in which the helmet has been used, make it advisable for your own safety to replace the helmet after this period of use.
- Original components (in particular on the outer shell, inner shell and restraint system) should not be altered or removed. The fitting of additional parts from other manufacturers that have not been recommended can reduce the protective effect and renders the DOT certification and all warranty and insurance claims invalid.
- Use only original parts, replacement parts and accessories that Sena has expressly approved for your helmet.

Product Use

- Motorcycling is associated with particular risks and dangers for the rider and passenger. These risks and dangers can be reduced, but not eliminated completely, by wearing a helmet. It is impossible to state precisely what the protective effect of a helmet will be in the event of an accident. Safe riding techniques, adapted to the particular road and weather conditions, are essential for your safety.
- To provide adequate protection, the helmet must fit well and be securely fastened.
- Always fasten the chinstrap before setting off and check that the fastening system and strap are correctly in position.
- Never ride with the chinstrap unfastened or incorrectly adjusted. The chinstrap must be correctly positioned and must not come loose when pulled. The fastener is not correctly closed if the chinstrap becomes loose when pulled.
- The full protective function of a helmet can no longer be guaranteed after an accident or impact. Like the crumple zone of a car, the impact energy of a collision is absorbed by complete or partial destruction of the structure of the outer and/or inner shell of the helmet. Because of the way helmets are designed, this damage is rarely visible from the outside. The safety helmet is designed to absorb only one impact. It is therefore essential to replace the helmet after a fall, accident or other violent impact. For safety reasons, the old helmet should be rendered unusable.

- The helmet safety mechanism described above can also cause small cracks in the shell when the helmet is dropped from a small height (less than 1 meter).
- Any helmet that has been subjected to a violent impact should be replaced.
- No helmet provides absolute protection from all conceivable impacts. This helmet has been specially developed for motorcycle riding and is unsuitable for other purposes.
- Examine the helmet for damage at regular intervals. Small scratches will not impair the protective function of your helmet.
- In some regions, it is prohibited by law to ride motorcycles while wearing headsets. Therefore be certain to comply with all relevant laws in the region before using the product.
- Use of the product at a high volume for a long period of time may damage your eardrums or hearing ability. Keep the volume at a modest level to prevent damage.
- Do not cause impact to the product or touch it with sharp tools as this may damage the product.
- Do not use the product in high-temperatures or apply heat to the product as this may cause damage, explosion, or fire.
- Keep product away from pets or small children. It may damage the product.
- In any place where wireless communication is prohibited, such as hospitals or airplanes, turn off the power and refrain from using the product. In a place where wireless communication is prohibited, electromagnetic waves may cause hazards or accidents.
- Do not use the product near hazardous explosives. When it is near any explosion hazards, turn off the power and heed any regulations, instructions, and signs in the area.

Battery

This product has an irreplaceable rechargeable battery inside. Therefore, when using the product, make sure to adhere to the following:

- Never separate the battery from the product as this may damage the product.
- The battery performance may be reduced over time with usage.
- In recharging the battery, make sure to use an approved charger provided by the manufacturer. Use of a non-approved charger may cause fire, explosion, leakage, and other hazards may also reduce the life time or performance of the battery.
- Any 3rd party USB charger can be used with Sena products if the charger is approved by either the FCC, CE, IC or other locally approved agencies that Sena accepts.
- Store the battery at temperatures of 15°C~25°C (59°F~77°F). Higher or lower temperatures may reduce the capacity and life of the battery, or may cause temporary non-operation. Do not use the product in sub-zero temperature, because it may cause serious reduction of the battery performance.
- If you apply heat to the battery or throw it into a fire, it may explode.
- Do not use the product with a damaged battery. It may explode and/ or cause accidents.
- Never use a damaged charger. It may explode and/or cause accidents.
- Battery life may vary depending on conditions, environmental factors, functions of the product in use, and devices used with it.

Certification and Safety Approvals

FCC Compliance Statement

This device complies with part 15 of the FCC rules.

Operation is subject to the following two conditions:

- (1) This device may not cause harmful interference, and
- (2) This device must accept any interference received, including interference that may cause undesired operation.

This equipment has been tested and found to comply with the limits for a Class B digital device pursuant to part 15 of the FCC rules. These limits are designed to provide reasonable protection against harmful interference in a residential installation. This equipment generates, uses and can radiate radio frequency energy and, if not installed and used in accordance with the instructions,

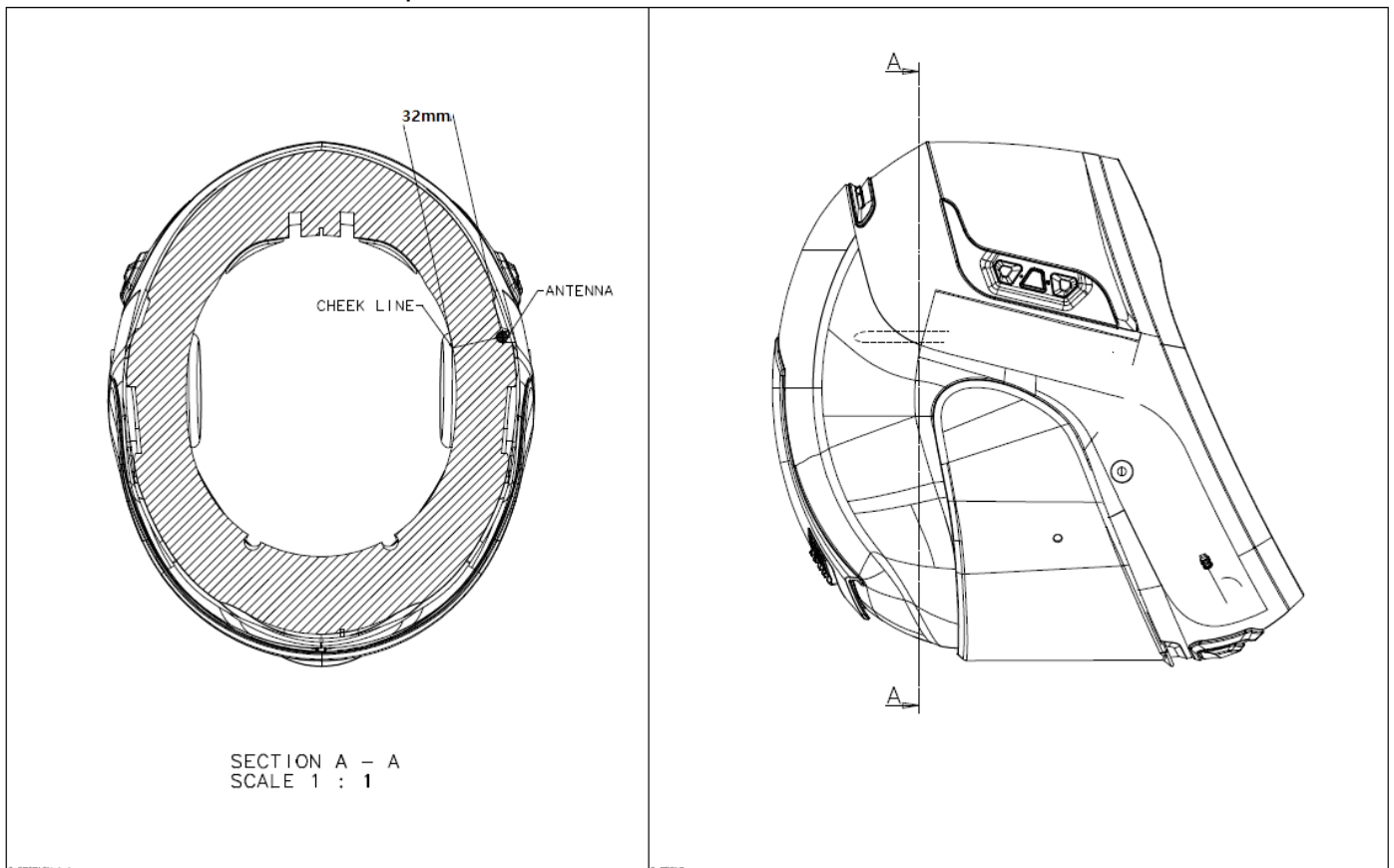
may cause harmful interference to radio communications. However, there is no guarantee that interference will not occur in a particular installation. If this equipment does cause harmful interference to radio or television reception, which can be determined by turning the equipment on and off, the user is encouraged to try to correct the interference by one or more of the following measures:

- Reorient or relocate the receiving antennae
- Increase the separation between the equipment and the receiver
- Connect the equipment into an outlet on a circuit different from that to which the receiver is connected.
- Consult the dealer or an experienced radio/TV technician for help.

FCC RF Exposure Statement

This equipment complies with FCC radiation exposure limits set forth for an uncontrolled environment. End users must follow the specific operating instructions for satisfying RF exposure compliance. The antenna used for this transmitter must not transmit simultaneously with any other antenna or transmitter, except in accordance with FCC multi-transmitter product procedures.

We, Sena Technologies, Inc. confirm that when equipped, the distance between antenna and one's head is 32mm. So, We, Sena Technologies, Inc. confirm that when equipped, the helmet needs to be at least 30mm apart from one's head.



FCC Caution

Any changes or modifications to the equipment not expressly approved by the party responsible for compliance could void user's authority to operate the equipment.

Industry Canada Statement

This device complies with Industry Canada license-exempt RSS standard(s). Operation is subject to the following two conditions:

- (1) This device may not cause interference.
- (2) This device must accept any interference, including interference that may cause undesired operation of the device.

Bluetooth License

The Bluetooth® word mark and logos are owned by the Bluetooth SIG, Inc. and any use of such marks by Sena is under license. Other trademarks and trade names are those of their respective owners. The product is compliant with and adopts the Bluetooth® Specification 4.1 and has successfully passed all interoperability tests that are specified in the Bluetooth® specification. However, interoperability between the device and other Bluetooth®-enabled products is not guaranteed.

WEEE (Waste Electrical and Electronic Equipment)

The crossed-out wheel bin symbol on the product, literature, or packaging reminds you that all electrical and electronic products, batteries, and accumulators must be taken to separate collection at the end of their working life. This requirement applies to the European Union and other locations where separate collection systems are available. To prevent possible harm to the environment or human health from uncontrolled waste disposal, please do not dispose of these products as unsorted municipal waste, but hand it in at an official collection point for recycling.

DOT Certification

This product conforms to the DOT FMVSS 218 (US) helmet safety standards as defined by the United States Department of Transportation Federal Motor Vehicle Safety Standard. This certification applies to the United States of America. The approval label can be affixed permanently to the outside of the helmet (United States, Argentina, Australia and others). Do not remove or attempt to remove the approval label from the helmet. Do not affix approval labels of unknown origin to the helmet. These are more than likely counterfeit labels. It is against the law to affix counterfeit labels to helmets. If you are in any doubt over the origin of the approval label affixed to your helmet contact Sena directly, and not your dealer.

Product Warranty and Disclaimer

Limited Warranty

Sena Technologies, Inc. ("Sena") guarantees the product quality based on the technical specification stated in the product manual, and data regarding product warranty. Here, product warranty extends to the product only. Sena will not be liable for any loss, damage of human life, or loss of property which may result from using the product beyond defective parts or flaws that occur due to problems in manufacture.

Warranty Period

Sena guarantees free-of-charge repair or replacements of defective parts of the product or flaws that may have occurred due to problems in manufacture for a period of 5 years for the helmet and 2 years for the electronic parts. Each period starts from the date of the initial purchase. The limited warranty extends only to the original consumer purchaser of the product and is not assignable or transferable to any subsequent purchaser/end-user.

Termination

Quality warranty of the product becomes effective on the date of initial purchase. In addition, the quality warranty of the product expires when the warranty period expires. However, in the following cases, the warranty will be terminated prematurely.

- In the event the product has been sold or transferred to a third party.
- In the event the manufacturer's name, serial number, product label, or other markings have been modified or removed.
- In the event any unauthorized person has tried to disassemble, repair, or modify the product.

Notice and Waiver

By buying and using this product, you relinquish considerable legal rights including any claim for compensation for damages. Therefore, be certain to read and understand the following terms and

conditions before using the product. Use of this product will constitute consent to this agreement, and forfeiture of rights to all claims. If you do not consent to all the terms and conditions of this agreement, return the product for a refund.

1. You agree that you, your descendants, legal proxies, successors, or transferees will not raise permanent volitional request for any suit, claim, implementation, redemption or similar action from Sena with regard to any occasion such as difficulty, pain, suffering, inconvenience, loss, injury, or death which may occur to you or a third party during the use of this product.
2. You must completely understand and accept all risks (including those occurring due to any careless behavior of yours or others) which may occur during the use of this product.
3. You are responsible for ensuring that your medical condition permits usage of the product and that you are in sufficient physical condition for using any device which can be used with it. In addition, you must ensure that the product does not limit your abilities and that you are able to use it safely.
4. You must be an adult who can take responsibilities for using the product.
5. You must read and understand the following warnings and alerts:
 - Sena; together with employees, managers, partners, subsidiaries, representatives, agents, supporting firms and suppliers, sole sellers of Sena (collectively referred to as “the company”) recommend that, before using the product and similar devices of any brands including its derivative models, you collect any relevant information in advance and be entirely prepared in terms of weather, traffic situation, and road conditions.

Safety Guide and Warranty

- When you use the product while you operating any vehicle or equipment such as motorcycles, scooters, mopeds, ATVs, or quad- bikes (hereinafter called as “transportation means”), you must take complete caution regardless of the location of such operation.
 - Use of the product on the road may cause such risks as fracture, serious disability, or death.
 - Risk factors, which may occur when you use the product, may be due to errors of the manufacturer, its agents, or third parties which are involved in the manufacturing.
 - Risk factors, which may occur when you use the product, may be unforeseeable. Therefore, you must take full responsibility for any damage or loss caused by all risk factors which may occur when using the product.
 - When you use the product, use good judgment; never use it under the influence of alcohol.
6. You must read and completely understand all terms and conditions of legal rights and warnings that are involved in using the product. In addition, usage of the product constitutes acceptance of all terms and conditions regarding waiver of rights.
 7. You must completely understand that this warranty does not apply to any helmet that has been subject to any accident, misuse, abuse (intentional or otherwise), negligence, tampering, modifications or improper maintenance. In addition, fluorescent paints used in certain models of Sena helmets are not covered by this Warranty and may fade or degrade with the passage of time and the exposure of the helmet to the environmental elements. THERE ARE NO WARRANTIES THAT EXTEND BEYOND THE LIMITED WARRANTY EXPRESSLY SET FORTH IN THIS MANUAL, AND ANY IMPLIED WARRANTY, INCLUDING THE IMPLIED WARRANTIES OF MERCHANTABILITY AND FITNESS FOR A PARTICULAR PURPOSE, ARE HEREBY EXPRESSLY DISCLAIMED. NO DEALER HAS THE RIGHT TO MODIFY THE TERMS AND DISCLAIMERS SET FORTH HEREIN.

Warranty Exclusions

Reasons for Limited Liabilities

If you do not return the product after purchasing it, you relinquish all rights to liabilities, loss, claims, and claims for reimbursement of expenses (including attorney's fees). Therefore, Sena will not be liable for physical injury, death, or any loss or damage of transportation means, possessions, or assets which belong to you or third parties that may have occurred while you use the product. Further, Sena will not be liable for any substantial damage not related to the,

condition, environment, or malfunction of the product. All risks related with the operation of the product depend entirely on the user regardless of its use by the initial purchaser or a third party. Use of this product may violate local or national laws. In addition, be aware once again that correct and safe use of the product is entirely your responsibility.

Limitation of Liability

TO THE FULL EXTENT ALLOWED BY LAW, SENA EXCLUDES FOR ITSELF AND ITS SUPPLIERS ANY LIABILITY, WHETHER BASED IN CONTRACT OR TORT (INCLUDING NEGLIGENCE), FOR INCIDENTAL, CONSEQUENTIAL, INDIRECT, SPECIAL, OR PUNITIVE DAMAGES OF ANY KIND, OR FOR LOSS OF REVENUE OR PROFITS, LOSS OF BUSINESS, LOSS OF INFORMATION OR DATA, OR OTHER FINANCIAL LOSS ARISING OUT OF OR IN CONNECTION WITH THE SALE, INSTALLATION, MAINTENANCE, USE, PERFORMANCE, FAILURE, OR INTERRUPTION OF ITS PRODUCTS, EVEN IF SENA OR ITS AUTHORIZED RESELLER HAS BEEN ADVISED OF THE POSSIBILITY OF SUCH DAMAGES, AND LIMITS ITS LIABILITY TO REPAIR, REPLACEMENT, OR REFUND OF THE PURCHASE PRICE PAID, AT SENA'S OPTION. THIS DISCLAIMER OF LIABILITY FOR DAMAGES WILL NOT BE AFFECTED IF ANY REMEDY PROVIDED HEREIN SHALL FAIL OF ITS ESSENTIAL PURPOSE. IN ANY CASE, THE TOTAL COMPENSATION LIABILITIES OF SENA OR ITS SALES AGENTS SHALL NOT EXCEED THE PRICE PAID FOR THE PRODUCT BY THE PURCHASER.

Liabilities Disclaimer

In addition to damages which may occur due to the use of the product, Sena will not be liable for damages of the product which occur due to the following events.

- In the event the product is misused or used for purposes other than its intended purposes.
- In the event the product is damaged because the user does not follow the content of the product manual.
- In the event the product is damaged because it has been left unattended or has undergone any other accident.
- In the event the product is damaged because the user has used any parts or software which are not provided by the manufacturer.
- In the event the product is damaged because the user has disassembled, repaired, or modified it in such way as is not explained in the product manual.
- In the event the product is damaged by a third party.
- In the event the product is damaged due to Acts of God (including fire, flood, earthquake, storm, hurricane or other natural disaster).
- In the event the surface of the product is damaged by use.

Warranty Service

To obtain product warranty service, send the defective product, at your expense, to the manufacturer or the seller along with proof of purchase (a receipt that shows the purchase date, a product registration certificate of the Website, and other relevant information). Take necessary measures to protect the product. In order to get a replacement, you must include the whole package as it was purchased. Sena will provide free-of-charge repair or replacement service for the product when product defects occur within the scope of the product warranty during the warranty period.

INFORMATIONS SUR LA SÉCURITÉ

Veillez vous assurer que ce produit est utilisé de manière adéquate et que les avertissements et précautions énumérés ci-dessous sont respectés afin d'éviter tout risque et/ou dommage matériel.

Stockage du produit et manipulation

- Garder le produit à l'abri de la poussière. Cela pourrait endommager les pièces mécaniques et électroniques du produit.

- Ne pas stocker le produit dans des zones où la température est élevée, car cela pourrait réduire la durée de vie des composants électroniques, endommager la batterie et/ou faire fondre les pièces en plastique du produit.
- Ne pas stocker le produit dans des zones où la température est faible. Des changements de températures brusques peuvent former de la condensation et endommager les circuits électroniques.
- Ne pas nettoyer le produit avec des solvants de nettoyage, des produits chimiques toxiques ou des détergents puissants, car cela pourrait endommager le produit.
- Ne pas peindre le produit. La peinture pourrait obstruer les pièces amovibles ou interférer avec le fonctionnement normal du produit.
- Ne pas laisser tomber ou cogner l'appareil. Cela pourrait endommager le produit ou ses circuits électroniques internes.
- Ne pas démonter, réparer ou modifier le produit, car cela pourrait endommager le produit et annuler sa garantie.
- Ne pas ranger le produit dans un environnement humide, notamment en cas de stockage prolongé.

Utilisation du produit

- Dans certaines régions, la loi interdit de conduire une moto en portant un casque audio ou des écouteurs. Assurez-vous donc de respecter toutes les lois en vigueur dans la région où vous utilisez le produit.
- Ce casque audio est réservé uniquement aux casques moto. Pour installer le casque audio, vous devez suivre les instructions d'installation indiquées dans le Manuel d'utilisation.
- L'utilisation du produit à volume élevé pendant une période prolongée peut endommager les tympons ou la capacité auditive. Garder le volume sonore à un niveau modéré pour prévenir tout dommage.
- Ne pas heurter le produit ou le toucher avec des outils tranchants, car cela pourrait l'endommager.
- Ne pas utiliser le produit dans des zones chaudes ou chauffer le produit, car cela pourrait occasionner des dommages ou provoquer une explosion ou un incendie.
- Tenir le produit hors de portée des animaux ou jeunes enfants. Cela pourrait endommager le produit.
- Éteindre et ne pas utiliser le produit dans les endroits où les communications sans fil sont interdites comme les hôpitaux ou les avions. Les ondes électromagnétiques peuvent entraîner des risques ou des accidents dans ces endroits.
- Ne pas utiliser le produit près d'explosifs. En cas de risques d'explosion à proximité, éteindre le produit et respecter toute réglementation, instruction ou panneau présent dans la zone.
- Pendant l'utilisation du produit, s'assurer de respecter les lois concernant l'utilisation des appareils de communication lors de la conduite.
- Ne pas mettre le produit à un endroit où il pourrait entraver le champ de vision du motocycliste et ne pas le manipuler durant la conduite. Cela pourrait causer des accidents de la route.
- Avant de prendre la route, attacher le produit au casque moto et s'assurer qu'il est bien fixé. Le retrait du produit durant la conduite peut provoquer des dommages au produit ou des accidents.
- Si le produit est endommagé, arrêter immédiatement de l'utiliser. Cela pourrait entraîner des dommages, une explosion ou un incendie.

Batterie

Ce produit contient une batterie rechargeable irremplaçable à l'intérieur. S'assurer par conséquent lors de l'utilisation du produit de respecter ce qui suit :

- Ne jamais séparer la batterie du produit car cela pourrait endommager le produit.
- Les performances de la batterie peuvent s'altérer au fur et à mesure de son utilisation.
- Lors de la mise en charge de la batterie, s'assurer d'utiliser un chargeur agréé fourni par le fabricant. L'utilisation d'un chargeur non agréé peut entraîner un incendie, une explosion, une fuite et d'autres risques et peut également réduire la durée de vie ou les performances de la batterie.
- Un chargeur USB tiers peut être utilisé avec les produits Sena à condition d'être aux normes FCC, CE ou IC ou d'être agréés par d'autres organismes locaux que Sena accepte.
- Ne pas utiliser d'autres chargeurs allume-cigare que le chargeur allume-cigare inclus pour charger le casque audio.
- Stocker la batterie à des températures comprises entre 15 °C et 25 °C. Des températures inférieures ou supérieures à celles préconisées peuvent réduire la durée de vie de la batterie ou entraîner des dysfonctionnements temporaires. Ne pas utiliser ce produit à des températures inférieures à zéro, car cela pourrait réduire de manière drastique les performances de la batterie.

- Ne pas chauffer la batterie ou la jeter au feu, car cela pourrait provoquer son explosion.
- Ne pas utiliser le produit avec une batterie endommagée. Il pourrait exploser et/ou causer des accidents.
- Ne pas utiliser un chargeur endommagé. Il pourrait exploser et/ou causer des accidents.
- La durée de vie de la batterie dépend des conditions d'utilisation, des facteurs environnementaux, des fonctions du produit en cours d'utilisation et des appareils utilisés conjointement.

CERTIFICATION ET HOMOLOGATION EN TERMES DE SÉCURITÉ

Déclaration de conformité FCC

Cet appareil est en conformité avec la partie 15 de la réglementation FCC. L'exploitation est autorisée aux deux conditions suivantes :

- (1) Cet appareil ne doit pas créer d'interférences préjudiciables et
- (2) Cet appareil doit accepter toutes les interférences reçues, y compris celles qui pourraient entraver son bon fonctionnement.

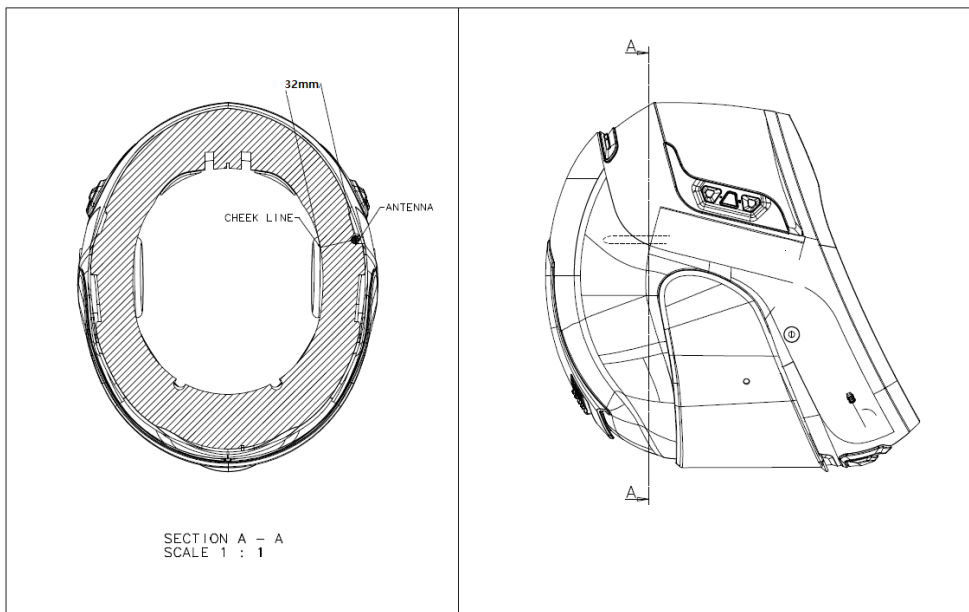
Ce matériel a été testé et déclaré en conformité avec les limites d'un appareil numérique de Classe B, suivant la partie 15 de la réglementation FCC. Ces limites sont destinées à assurer une protection raisonnable contre les interférences préjudiciables dans un environnement résidentiel. Ce matériel génère, utilise et peut dégager de l'énergie en radio fréquence et, s'il n'est pas installé et utilisé en conformité avec les instructions, peut provoquer des interférences préjudiciables avec les communications radio. Cependant, il n'y a aucune garantie que des interférences ne se produiront pas dans des installations particulières. Si ce matériel provoque des interférences préjudiciables à une réception radio ou TV, ce qui peut être déterminé en allumant puis en éteignant l'appareil, il est vivement recommandé à l'utilisateur d'essayer de mettre un terme à ces interférences en prenant l'une des mesures suivantes :

- Réorienter ou repositionner l'antenne réceptrice.
- Augmenter la séparation entre le matériel et le récepteur.
- Connecter le matériel à une sortie sur un circuit différent de celui sur lequel le récepteur est connecté.
- Contacter le revendeur ou un technicien radio/TV expérimenté pour une assistance.

Énoncé FCC sur l'exposition aux radiations RF :

Cet équipement est conforme aux réglementations FCC d'exposition aux radiations définies pour un environnement non contrôlé. Les utilisateurs suivront les instructions d'exploitation spécifiques pour répondre aux exigences de conformité sur l'exposition aux RF. L'antenne utilisée pour cet appareil ne doit pas fonctionner en même temps qu'une autre antenne ou émetteur, sauf s'il y a conformité avec les procédures FCC des produits multi-émetteurs.

Nous, Sena Technologies, Inc. confirmer que lorsqu'il est équipé, la distance entre l'antenne et la tête est de 32 mm. Donc, nous, Sena Technologies, Inc. confirmer que, lorsqu'il est équipé, le casque doit être éloigné d'au moins 30 mm de la tête.



Précautions FCC

Tout changement ou modification apporté au matériel qui n'aurait pas été approuvé par le responsable de la conformité pourrait invalider le droit de l'utilisateur à faire fonctionner ce matériel.

Déclaration de conformité CE

Ce produit porte un marquage CE, conformément aux dispositions de la directive R&TTE (1999/5/CE). Sena déclare par la présente que ce produit est conforme aux exigences principales et autres dispositions correspondantes de la directive 1999/5/CE. Pour plus d'informations, veuillez consulter le site www.sena.com/fr. Veuillez noter que ce produit utilise des bandes de radio fréquence non uniformisées au sein de l'Union Européenne. Au sein de l'Union Européenne, ce produit est destiné à être utilisé en Autriche, Belgique, Danemark, Finlande, France, Allemagne, Grèce, Irlande, Italie, Luxembourg, Pays-Bas, Portugal, Espagne, Suède et Royaume-Uni et au sein de l'AELE, en Islande, Norvège et Suisse.

Déclaration de conformité IC (Industrie Canada)

Le présent appareil est conforme aux CNR d'Industrie Canada applicables aux appareils radio exempts de licence. L'exploitation est autorisée aux deux conditions suivantes :

(1) Cet appareil ne doit pas créer d'interférences.

(2) Cet appareil doit accepter toutes les interférences reçues, y compris celles qui pourraient entraver son bon fonctionnement.

Licence Bluetooth

La marque et les logos Bluetooth® sont la propriété de Bluetooth SIG, Inc et toute utilisation de ces marques par Sena s'effectue sous licence. D'autres marques et appellations commerciales sont celles de leurs propriétaires respectifs.

Le produit est conforme à et suit la spécification Bluetooth® 4.1 et a réussi tous les tests d'interopérabilité mentionnés dans la spécification Bluetooth®. Cependant, l'interopérabilité entre l'appareil et d'autres produits Bluetooth® n'est pas garantie.

WEEE(DEEE:Déchets d'équipements électriques et électroniques)

Le symbole poubelle barrée figurant sur le produit, la documentation ou l'emballage signifie que tous les produits électriques et électroniques, les batteries et les accumulateurs doivent être conduits en fin de vie dans une structure de récupération et de recyclage séparée. Cette exigence s'applique à l'Union Européenne mais aussi aux autres pays où des systèmes de récupération et de recyclage séparés existent. Pour prévenir toutes les conséquences possibles pour l'environnement ou la santé d'une élimination de déchets non contrôlée, veuillez ne pas considérer ces produits comme des déchets ménagers, mais vous rendre dans une structure de récupération officielle pour le recyclage.

GARANTIE DU PRODUIT ET AVIS DE NONRESPONSABILITÉ

Garantie limitée

Garantie limitée

Sena Technologies, Inc. (« Sena ») garantit la qualité du produit sur la base des caractéristiques techniques énoncées dans le manuel du produit et les données concernant la garantie du produit. La garantie du produit s'étend ici seulement au produit. Sena n'est pas responsable des pertes, blessures aux personnes ou pertes de propriétés qui pourraient résulter de l'utilisation du produit en dehors des pièces défectueuses ou des défauts survenant en raison de problèmes lors de la fabrication.

Période de garantie

Sena garantit le remplacement sans frais des pièces défectueuses du produit ou des défauts ayant pu survenir en raison de problèmes lors de la fabrication pour une période de deux ans à compter de la date d'achat initiale.

FIN DE LA GARANTIE

La garantie de qualité du produit prend effet le jour de l'achat initial. De plus, la garantie de qualité du produit expire lorsque la période de garantie expire. Dans les cas suivants toutefois, la garantie prendra fin avant terme.

- Dans le cas où le produit a été vendu ou transféré à un tiers.
- Dans le cas où le nom, le numéro de série, l'étiquette du produit ou d'autres marquages du fabricant ont été modifiés ou supprimés.
- Dans le cas où une personne non autorisée a tenté de démonter, réparer ou modifier le produit.

Avis et renonciation

En achetant et en utilisant ce produit, vous renoncez à des droits légaux importants y compris les demandes d'indemnisation pour dommages. En conséquence, assurez-vous de lire et de comprendre les conditions suivantes avant d'utiliser le produit. L'utilisation de ce produit constitue un consentement au présent accord et un renoncement aux droits à toute indemnisation. Si vous ne consentez pas à toutes les conditions du présent accord, renvoyez le produit pour un remboursement.

1. Vous convenez que vous, vos descendants, représentants légaux, héritiers, ou cessionnaires ne ferez de votre propre gré et, de manière permanente, de demande de procès, d'indemnisation, d'exécution, de rachat ou toute action similaire à l'encontre de Sena concernant toute occasion comme la difficulté, la douleur, la souffrance, le désagrément, la perte, la blessure ou le décès qui se produirait à votre rencontre ou à un tiers durant l'utilisation de ce produit.
2. Vous devez parfaitement comprendre et accepter tous les risques (y compris ceux se produisant en raison de votre négligence ou d'autres) pouvant survenir durant l'utilisation de ce produit.
3. Vous avez la responsabilité de vous assurer que votre condition médicale permet l'utilisation du produit et que votre condition physique est suffisante pour utiliser tout appareil pouvant être utilisé conjointement. De plus, vous devez vous assurer que le produit ne limite pas vos capacités et que vous êtes en mesure de l'utiliser en toute sécurité.
4. Vous devez être majeur et porter la responsabilité de l'utilisation du produit.
5. Vous devez lire et comprendre les avertissements et les alertes suivantes :
 - Sena, en collaboration avec les employés, responsables, partenaires, filiales, représentants, agents, entreprises et fournisseurs impliqués, seuls vendeurs de Sena (collectivement désignés comme « l'entreprise ») vous recommandent, avant d'utiliser le produit et des appareils similaires de différentes marques y compris leurs modèles dérivés, de recueillir à l'avance toutes les informations pertinentes et d'être entièrement préparé quant aux conditions météorologiques et routières ainsi qu'à l'état de la circulation.
 - Si vous utilisez le produit tout en conduisant un véhicule tel que des motos, scooters, cyclomoteurs, quatre-quatre ou quads (ci-après dénommés « moyens de transport »), vous devez faire preuve de la plus grande prudence quel que soit l'endroit d'utilisation.
 - L'utilisation du produit sur la route peut entraîner des risques de fractures, d'invalidité grave ou de décès.
 - Les facteurs de risque, pouvant survenir lorsque vous utilisez le produit, peuvent résulter d'erreurs du fabricant, de ses agents ou de tiers impliqués dans la fabrication.
 - Les facteurs de risque pouvant survenir lorsque vous utilisez le produit, peuvent être imprévisibles. Vous devez par conséquent porter l'entière responsabilité pour tout dommage ou perte causée par l'ensemble des facteurs de risque pouvant survenir lors de l'utilisation du produit.
 - Lorsque vous utilisez le produit, faites preuve de discernement ; ne l'utilisez jamais sous l'emprise de l'alcool.
6. Vous devez lire et comprendre intégralement toutes les conditions se rapportant aux droits légaux et aux avertissements qu'implique l'utilisation du produit. L'utilisation du produit constitue en outre une acceptation de l'ensemble des conditions concernant la renonciation des droits.

Exclusions de garantie

Raisons des limitations de responsabilité

Si vous ne renvoyez pas le produit après l'avoir acheté, vous renoncez à tous les droits de responsabilité, de pertes, de réclamations et d'indemnisations pour le remboursement des dépenses (y compris les honoraires d'avocat). Par conséquent, Sena n'est pas responsable des blessures physiques, décès ou pertes ou dommages des moyens de transport, possessions ou actifs vous appartenant ou appartenant à des tiers ayant pu se produire lors de votre utilisation du produit. D'autre part, Sena n'est pas responsable des dommages substantiels qui ne sont pas liés à l'état, à l'environnement ou au dysfonctionnement du produit. Tous les risques associés à l'utilisation du produit dépendent entièrement de l'utilisateur, quelle que soit son utilisation par l'acheteur d'origine ou d'un tiers.

L'utilisation de ce produit peut être contraire aux lois locales et nationales. De plus, soyez bien conscient que l'utilisation adéquate et sans danger de ce produit relève de votre entière responsabilité.

Limitation de responsabilité

DANS LES LIMITES PERMISES PAR LA LOI, SENA EXCLUT POUR ELLE-MÊME ET SES FOURNISSEURS TOUTE RESPONSABILITÉ CONTRACTUELLE OU DÉLICTELLE (Y COMPRIS UNE NÉGLIGENCE) DE TOUT DOMMAGE DIRECT, CONSÉCUTIF, INDIRECT OU PUNITIF DE QUELQUE NATURE QUE CE SOIT, OU POUR LA PERTE DE REVENUS OU DE PROFITS, PERTES COMMERCIALES, PERTES D'INFORMATIONS OU DE DONNÉES OU TOUTE AUTRE PERTE FINANCIÈRE RÉSULTANT DE OU EN RELATION À LA VENTE, L'INSTALLATION, L'ENTRETIEN, L'UTILISATION, LA PERFORMANCE, LA PANNE OU L'INTERRUPTION DE SES PRODUITS, MÊME SI SENA OU SES REVENDEURS AUTORISÉS ONT ÉTÉ AVERTIS DE L'ÉVENTUALITÉ DE TELS DOMMAGES, ET LIMITE SA RESPONSABILITÉ À RÉPARER, REMPLACER OU REMBOURSER LE PRIX D'ACHAT PAYÉ, AU CHOIX DE SENA. CET AVIS DE NON RESPONSABILITÉ POUR LES DOMMAGES NE SERA PAS AFFECTÉ SI UN RECOURS APPORTÉ PRÉSENTEMENT N'ATTEINT PAS SON BUT ESSENTIEL. DANS TOUS LES CAS, LES RESPONSABILITÉS D'INDEMNISATIONS TOTALES DE SENA OU DE SES AGENTS DE VENTE NE PEUVENT DÉPASSER LE PRIX PAYÉ POUR LE PRODUIT PAR L'ACHETEUR.

Exonération de responsabilités

Outre les dommages pouvant survenir en raison de l'utilisation du produit, Sena n'est pas tenu responsable des dommages du produit survenant en raison des situations suivantes.

- Dans le cas où il est fait mauvais usage du produit ou qu'il est utilisé dans un but autre que celui prévu.
- Dans le cas où le produit est endommagé car l'utilisateur ne suit pas le contenu du manuel du produit.
- Dans le cas où le produit est endommagé car il a été laissé sans surveillance ou a subi un autre accident.
- Dans le cas où le produit est endommagé car l'utilisateur s'est servi de pièces ou d'un logiciel n'étant pas fourni par le fabricant.
- Dans le cas où le produit est endommagé car l'utilisateur l'a démonté, réparé ou modifié d'une manière ne figurant pas dans le manuel du produit.
- Dans le cas où le produit est endommagé par un tiers.
- Dans le cas où le produit est endommagé en raison d'événements imprévisibles (y compris les incendies, inondations, tremblements de terre, tempêtes, ouragans et autres catastrophes naturelles).
- Dans le cas où la surface du produit est endommagée pour cause d'usure.

Service de garantie

Pour faire valoir vos droits à un service de garantie du produit, envoyez le produit défectueux, à vos frais, au fabricant ou revendeur accompagné de la preuve d'achat (un reçu indiquant la date d'achat, le certificat d'enregistrement du produit du site internet et d'autres informations pertinentes). Prenez les mesures

nécessaires pour protéger le produit. Afin d'obtenir le remboursement ou le remplacement du produit, vous devez inclure la totalité du paquet comme au moment de l'achat. Service sans frais Sena offre un service de réparation ou de remplacement sans frais du produit lorsque les défauts de produit rentrent dans la limite de la garantie du produit durant la période de garantie.

Output Power (EIRP):