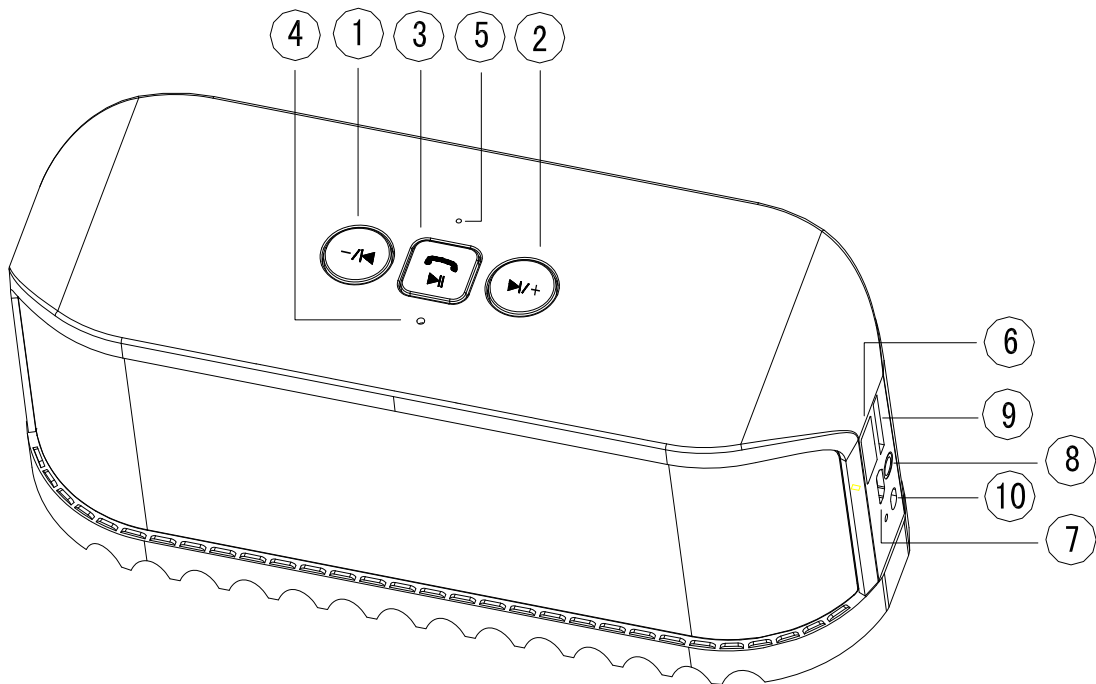


SPBT2 User Manual



Please read the user manual carefully before using .

Enjoy your music everywhere.

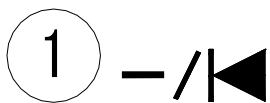
This is fashion ,unique design fully upgraded digital MINI bluetooth speaker.

Clear treble, pure bass, Special design makes the sound quality is even better.

New concept of digital audio player, 2.4G Bluetooth wireless audio receiver, TF card ,U disk. Variety of colors to choose, you can get what you like.

Build-in Li-ion battery, computer 5V USB both can provide power to play the music

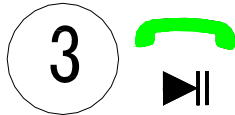
1. Fully charge the product for the first use
2. With 5V DC adapter can charge the speaker
3. Can play the music from U Disk and TF card in MP3 Format.
4. Key function



Volume-/Previous song, Under FM mode, short press can go to the next channel which kept before.



Volume+/Next song, Under FM mode, short press can go to the in front channel which kept before.



3 Play/Stop, mode change, Bluetooth phone function button.
Switch on the speaker, long press (Bluetooth to TF card, U disk, FM or AUX mode change), under FM mode, short press to search the channel and keep them automatically



4 Microphone: MIC/ where you speak



5 LED indicator: Green and Blue color indicator, its blue under Bluetooth mode, its green under U disk, TF card and AUX.



6 U disk: Insert the U disk can play the music inside only.

Not transfer data via the connection to the computer.



7 Micro USB : connecting to DC 5V USB cable to charge the speaker only.



8 AUX: Connecting to computer, tablet, mobile etc. through audio cable



9 TF: Insert TF card can play the music inside only.

Not transfer data via the connection to the computer.



10 OFF/ON : Switch on or switch off the speaker

Bluetooth connection guidance

Turn on the product will go to Bluetooth mode automatically, with music tips to connect the Bluetooth, please turn on the Bluetooth function on your phone, search the Bluetooth file

named SPBT2, click to connect, you can play the music or use the Bluetooth phone function after the successful connection

FCC Statement:

This equipment has been tested and found to comply with the limits for a Class B digital device, pursuant to part 15 of the FCC Rules. These limits are designed to provide reasonable protection against harmful interference in a residential installation. This equipment generates, uses and can radiate radio frequency energy and, if not installed and used in accordance with the instructions, may cause harmful interference to radio communications.

However, there is no guarantee that interference will not occur in a particular installation. If this equipment does cause harmful interference to radio or television reception, which can be determined by turning the equipment off and on, the user is encouraged to try to correct the interference by one or more of the following measures:

- Reorient or relocate the receiving antenna.
- Increase the separation between the equipment and receiver.
- Connect the equipment to an outlet on a circuit different from that to which the receiver is connected.

This device complies with part 15 of the FCC rules. Operation is subject to the following two conditions: (1) This device may not cause harmful interference, and (2) this device must accept any interference received, including interference that may cause undesired operation.

Note: Modifications to this product will void the user's authority to operate this equipment.