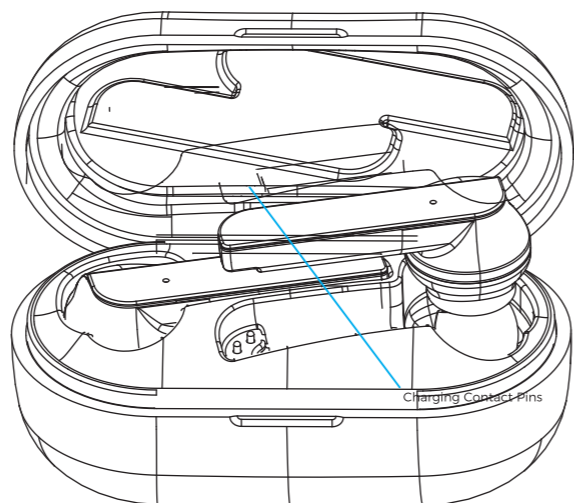
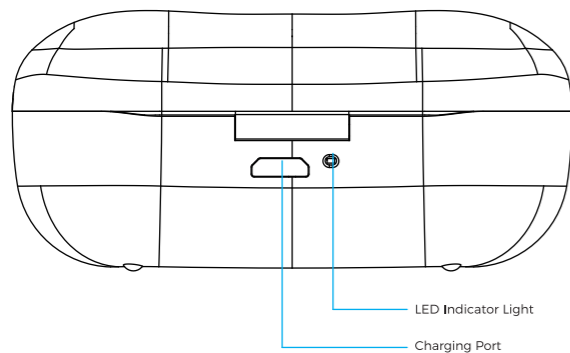
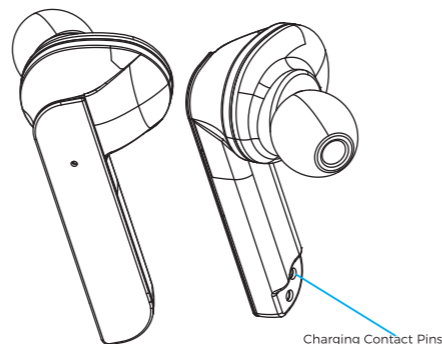
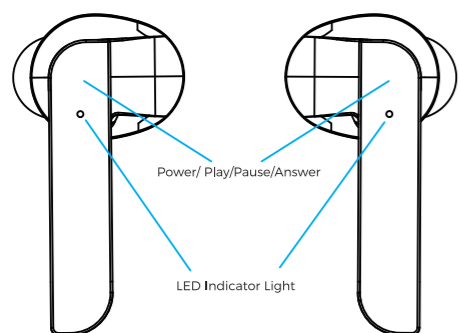


FRONT VIEW



FCC ID:2AL9B-MI-E007T

pairing name: MERKURY E007T

1. The TWS will turn on automatically once it is removed from charging case. It will blink alternately red and blue indicates that it is in pairing mode.
2. Long press the button for 8 seconds to turn off (Both sides of earbuds will turn off simultaneously if they are self paired).
3. Pairing: Press the On/Off button 2 seconds to switch on the TWS and both sides of the earbuds will automatically self pair. Once paired, both sides of the earbuds flash blue every 5 seconds. Right earbud will be the main side.
4. Connect: Once connect with your device, there will be an 'Di' sound from the Right side earbud.
5. SIRI: Press On/Off button for 5 seconds, a 'Di' sound indicates activation of SIRI function, press again to deactivate SIRI.
6. Music: While playing music, both earbuds slowly flash blue every 5 seconds, press on/off button to pause or resume the music.

1. Place both earbuds into the charging case to recharge the TWS. When charging, earbuds light RED and the case lights BLUE, once the TWS is fully charged, both earbuds and charging case light fade.
2. Charging of charging case - When the case is charging, the led light flashy slowly in RED, then light RED constantly once the charging is completed.

- 1) Support call communication from both side of the TWS.
2. It will turn off automatically once it is not used (within 5-7mins).

#### FCC Warning Statement

Changes or modifications not expressly approved by the party responsible for compliance could void the user's authority to operate the equipment. This equipment has been tested and found to comply with the limits for a Class B digital device, pursuant to Part 15 of the FCC Rules. These limits are designed to provide reasonable protection against harmful interference in a residential installation. This equipment generates uses and can radiate radio frequency energy and, if not installed and used in accordance with the instructions, may cause harmful interference to radio communications. However, there is no guarantee that interference will not occur in a particular installation. If this equipment does cause harmful interference to radio or television reception, which can be determined by turning the equipment off and on, the user is encouraged to try to correct the interference by one or more of the following measures:

- - Reorient or relocate the receiving antenna.
- - Increase the separation between the equipment and receiver.
- - Connect the equipment into an outlet on a circuit different from that to which the receiver is connected.
- - Consult the dealer or an experienced radio/TV technician for help.

This device complies with part 15 of the FCC Rules. Operation is subject to the following two conditions: (1) This device may not cause harmful interference, and (2) this device must accept any interference received, including interference that may cause undesired operation.