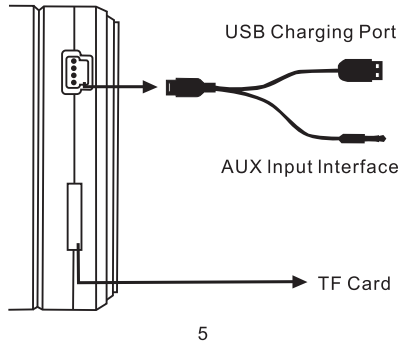


➤ Jack Instruction



➤ Specifications

- 📄 Insert the TF card to play music. Built-in TF smart decoder, you can listen to MP3 music stored in TF card.
- 🔌 AUX Input plug While work with AUX, it is easily to listen to sound from PC, ipod/iphone, MP3/MP4.
- 📶 Bluetooth Handfree work with the Bluetooth for wireless communication.
- 🎧 Stereo Bluetooth Stereo Bluetooth Speakers, supporting A2DP/AVRCP, allow you enjoy wireless HI-FI stereo music.

➤ Features

|                       |                  |
|-----------------------|------------------|
| Battery voltage: 3.7V | Capacity: 350mAh |
|-----------------------|------------------|

6

|                    |                              |
|--------------------|------------------------------|
| Charge voltage: 5V | Loudspeaker size: 45mm 4Ω 3W |
| Net weight: 230g   | S/N: ≥95Db                   |
| Distortion: ≤0.5%  | Size: 60*60*50mm             |

➤ Notice

- Do not let children play the product.
- Do not hit or beat the product.
- Do not use in very humid and high temperature environments. Product performance will decrease when it is used in cold regions.
- Do not throw the product into fire.
- Do not block speaker's net above the body.
- Please send to repair when the product is broken. Do not disassemble it by yourself.
- It's not covered under warranty when the product has metal of rust, surface spalling and other natural oxidation.

7

Radio-Mode:

1. Please activate the "MP3" switch
2. Keep the multifunction button pushed for some time
3. The cable is the receiver and has to be plugged in
4. Automatic station scanning begins (nonrecurring)
5. To change the stations shortly press multifunction button forward or backward.



FCC Warning

This device complies with Part 15 of the FCC Rules. Operation is subject to the following two conditions: (1) This device may not cause harmful interference, and (2) this device must accept any interference received, including interference that may cause undesired operation.

Caution: Changes or modifications not expressly approved by the party responsible for compliance could void the user's authority to operate the equipment.

NOTE: This equipment has been tested and found to comply with the limits for a Class B digital device, pursuant to part 15 of the FCC Rules. These limits are designed to provide reasonable protection against harmful interference in a residential installation. This equipment generates uses and can radiate radio frequency energy and, if not installed and used in accordance with the instructions, may cause harmful interference to radio communications. However, there is no guarantee that interference will not occur in a particular installation. If this equipment does cause harmful interference to radio or television reception, which can be determined by turning the equipment off and on, the user is encouraged to try to correct the interference by one or more of the following measures:

- Reorient or relocate the receiving antenna.
  - Increase the separation between the equipment and receiver.
  - Connect the equipment into an outlet on a circuit different from that to which the receiver is connected.
  - Consult the dealer or an experienced radio/TV technician for help.
- The device has been evaluated to meet general RF exposure requirement. The device can be used in portable exposure condition without restriction.

# User Manual

Product Name: Bluetooth Speaker

Model Name: S10



Manufacture; SHENZHEN SHI  
CHANGSHENGFA ELECTRONIC CO., LTD

➤ English Manual

- “+ / ▶” In TF/Bluetooth mode when short press this button: next song; long press: Volume up. Don't work in AUX mode.
- “◀ / -” In TF/Bluetooth mode when short press this button: previous song; long press: Volume down. Don't work in AUX mode.
- “⏸ / ||” In TF mode, short press this button: Play/Pause; In Bluetooth mode, short press this button: Play/Pause/Answer/End/Cancel dial/Pair. In Bluetooth mode, double click: Last number redial; long press for 2 seconds: reject calls. In TF/AUX mode, press it will be TF card and AUX exchange.

1

➤ Bluetooth Pairing

- Make sure the Bluetooth Speaker is in the off state.
- Press ON/OFF key to Bluetooth mode, blue LED will flash 6 times. And short press Play/Pause key, blue and red LED flash alternately.
- Follow the operating instruction of your mobile phone for Bluetooth and allow your mobile to searching Bluetooth headset state. Typically, this is done by going to "set up", "connect" or "Bluetooth" menu and then selecting the option to search Bluetooth devices.
- The mobile can see S10 Bluetooth Speaker and ask if you wish to connect your mobile with this speaker. Press "Yes" or "Confirm" to confirm this action.

2

- Enter password or PIN 0000, and press "Yes" or "Confirm". ( Important notice: If the connection is successful, blue LED will flash. If the pairing is unsuccessful, the LED Blue and Red will still flash alternately. You need to pair again.)

➤ Flashing Instruction

- Blue LED Flash: in TF card MP3 or Bluetooth Mode
- Blue LED on: TF card MP3 in pause or in AUX mode
- Red and blue LED flash alternately: Bluetooth pairing
- Red LED ON: Charge
- Red LED OFF: Full power
- Red LED Flash: Low power

3

Multifunction Button

